



Enterprise House,  
6-7 Bonville Road,  
Brislington,  
Bristol,  
BS4 5NZ

Tel: +44 (0) 117 9714837  
Fax: +44 (0) 117 9776578  
sales@efild.co.uk

EBC Buildings,  
Countess Road,  
Spencer Bridge,  
Northampton,  
NN5 7EA

Tel: +44 (0) 1604 583344  
Fax: +44 (0) 1604 587412  
sales@ebcbrakesuk.com

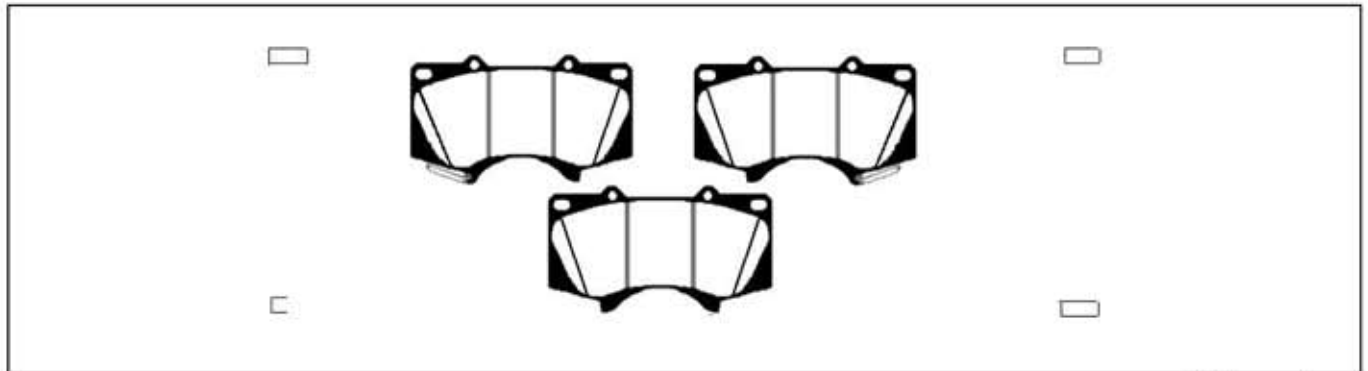


06/02/09

**EDP1815**

**DP1815**

**NEW REFERENCE – FOR IMMEDIATE RELEASE**



Not to scale

**Application Details**

Set Contents	2 X PADS SHIMMED / 1 X LH 1X RH SHIMMED WITH HANDED CLIPS				
Length (mm)	143.5	Width (mm)	83	Thickness (mm)	18

Make	Model	Engine	Dates	Front/Rear	WVA
Toyota	Tundra		08 On	Front	

**Cross References**

OE Reference	Ferodo	FMSI
<b>04465-0C020</b>		<b>8419-D1303</b>

Apec	Delphi Lockheed	Mintex

Ultimax		Green 7000	
Carbon		Red Ceramic	
Green 2000		Yellow	
Green 6000		Blue	