

STICK TO CARD THEN CUT AROUND OUTER PROFILE

LOCATE WHEEL SPIGOT IN WHEEL AND ROTATE, ENSURE THAT THERE IS A MINIMUM OF 3mm CLEARANCE ON ALL EDGES

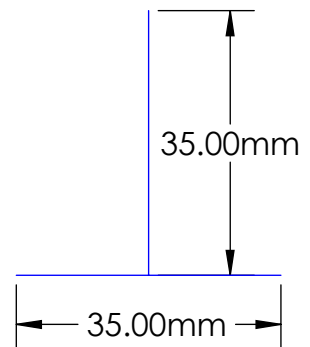
CALIPER

FLOATING HUB

$\varnothing$  330.00mm X 28.00mm  
BRAKE DISC

63.40mm  $\varnothing$   
WHEEL SPIGOT

CHECK REF DIMS TO ENSURE THAT THE DRAWING HAS PRINTED TO CORRECT SCALE



**REF DIMS**

TPL016 - 330 BBK - FORD FIESTA ST (MK8)

EBC Technical:KITS@EBCBRAKES.COM