

STICK TO CARD THEN CUT AROUND OUTER PROFILE

LOCATE WHEEL SPIGOT IN WHEEL AND ROTATE, ENSURE THAT THERE IS A MINIMUM OF 3mm CLEARANCE ON ALL EDGES

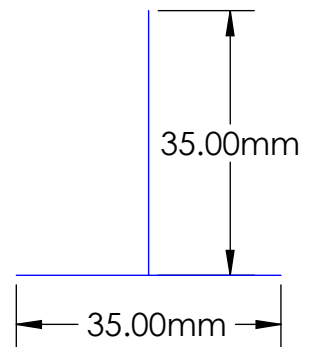
CALIPER

FLOATING HUB

Ø 330.00mm X 28.00mm
BRAKE DISC

72.60mm Ø
WHEEL SPIGOT

CHECK REF DIMS TO ENSURE THAT THE DRAWING HAS PRINTED TO CORRECT SCALE



REF DIMS

TPL018-330BBK-BMW M3 (E36)-MEYLE

EBC Technical:KITS@EBCBRAKES.COM