

STICK TO CARD THEN CUT AROUND OUTER PROFILE

LOCATE WHEEL SPIGOT IN WHEEL AND ROTATE, ENSURE THERE IS A MINIMUM OF 3mm CLEARANCE ON ALL EDGES

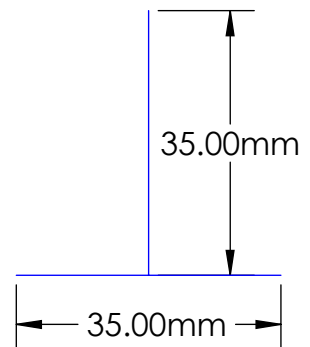
CALIPER

FLOATING HUB

Ø 330.00mm X 28.00mm  
BRAKE DISC

64.10mm Ø  
WHEEL SPIGOT

CHECK REF DIMS TO ENSURE THAT THE DRAWING HAS PRINTED TO CORRECT SCALE



REF DIMS

TPL033-330 BBK-HONDA CIVIC TYPE R (FN2)

EBC Technical:KITS@EBCBRAKES.COM