

Issue 204

UK & INTERNATIONAL
MC CATALOGUE

EBC[®]
BRAKES



**THE WORLD'S LARGEST RANGE OF
PREMIUM REPLACEMENT MOTORCYCLE BRAKES**

Brake pads, discs, braided stainless brake lines, clutches and much more, with four manufacturing plants in the UK and USA producing over 10 million components each year.

www.ebcbrakes.com

As they say quality never goes out of style... and EBC is the perfect example of that... 40 years as industry leader as the market changes and supply issues arise, NO supply issues for EBC... and EBC goes from strength to strength.

Here's why EBC beats them all

In house press-works for backing plates - millions per year

- NRS hook system on all organic backing plates for perfect bond strength
- In house production of all Organic and sintered brake pads all with R90
- Two massive auto load In house high powered Lasers for endless supply of rotor components again R90
- New centreless grinders for perfect rotor componentry, flat smooth and precise within microns
- In house multi line skin packaging, boxing and flow line shipping facilities

Lets remember - EBC Brakes make 100% of the motorcycle brakes it sells **IN HOUSE**

On distribution EBC are one of a tiny few companies who has **"Kept the Faith"** as EBC Brakes continues its tradition of **Distributor only sales** allowing those Distributors to fill orders to the dealer network.

The reason we don't need to change recipe that is because it works !!!! It works for the distributors, it works for the dealers and it works for us as a factory.

As EBC continues to grow and expand globally we have welcomed numerous new overseas importers for new markets but in Europe and USA our distributor network has remained stable and we really appreciate the loyalty and business support that our fantastic distributors have given us through their dealers...long may it continue.

Thanks again to you all for your support.



CATALOGUE COPYRIGHT

This catalogue forms a copyright under international law.

This includes, but is not limited to, the series of brake pad, brake shoe, clutch and brake disc design numbers with or without the prefixes FA, EPFA, GPFA, GPFAX, MXS, or suffixes R, HH, TT, SV. These design numbers, prefixes and suffixes form the toils of many years of work and set EBC products apart and are easily distinguished from other manufacturers brands or numbers.

Any copying, imitation, in full or in part, by any third party, will result in prosecution to the fullest extent of the law.

Also included within this catalogue are registered or applied for individual trademarks, such as:

- | | | |
|--------------|----------------|--------------|
| • EBC | • Street Racer | • SV Series |
| • Double-H | • DRC | • VLD Series |
| • Pro-lite | • DRCF | • VR Series |
| • SD-System | • SRC | • UTVX |
| • Dirt Racer | • SRK | • SXR |

All of the above are active trademarks and/or brands used by EBC Brakes licencees.

© Copyright 2024 - A C Freeman Investments Ltd.

CONTENTS

BRAKE APPLICATIONS

Japanese Built Motorcycles	2-115	Non-Japanese Built Motorcycles	
Road Racing Motorcycles	116	including American Built Motorcycles	120-395
Pads for Aftermarket Calipers	116-119		

BRAKE
APPLICATIONS

BRAKE PAD BUYERS GUIDE

Buyers Guide - Brake Pads	396-442
Buyers Guide - Full size Brake Pad illustrations	443-495

BRAKE PADS
BUYERS GUIDE

SHOE BUYERS GUIDE

Buyers Guide - Brake Shoes	496-517
Brake Shoe Illustrations	518-523
Diameter Chart - Brake Shoes	523

SHOE
BUYERS GUIDE

DISC BUYERS GUIDE

Buyers Guide - Streetbike Discs	524-620
Buyers Guide - Off Road Discs	621-666

DISC
BUYERS GUIDE

CLUTCH APPLICATIONS

Clutch Applications	667-707
---------------------------	---------

CLUTCH
APPLICATIONS

CLUTCH BUYERS GUIDE

Buyers Guide - CK/CKF Clutch Kits	708-731
Buyers Guide - DRC/DRCF Kits	732-740
Buyers Guide - SRC Kits	741-748
Buyers Guide - SRK Kits	749-756
Buyers Guide - Clutch Removal Tools	757-773

CLUTCH
BUYERS GUIDE

BRAKE LINES

Brake Lines	774-788
-------------------	---------

BRAKE
LINES

ACCESSORY PAGES

Polaris Slingshot	789	S & B Filters	799
SMX 320mm Oversize Brake Disc Kit	790-791	Hy-Tech Racing Reeds	800
OSX 250/280mm Oversize Brake Disc Kit	792-794	Baffle Pac Silencer Wool	801
Pilot Jets	795-797	Brake Fluid/Brake Caliper Lube	801
Main Jets	798-799	Galindo & Baja Grips, Ledar Nozzles & Racing Reeds...	802

ACCESSORY
PAGES

MOTORCYCLE BRAKE PADS

Aramid Fiber Organic FA Series Pads



FA series organic brake pads will deliver fingertip stopping power and superb brake feel and control, the preferred choice for many sportbike riders. This compound has low disc attack characteristics and gives medium lifetime..

“TT” Pads



“TT” series moto-x sport and enduro pads, cool running based pad compound for sport use in moto-x and ATV applications. For mud, sand or wet conditions requiring longer life, use our sintered range below.

Double-H™ Pads



FA series with HH suffix, EBC’s American-made ultra high friction Double-HT™ sintered copper alloy brake pads for maximum stopping power and lifetime. With stainless steel radiator plates to reduce heat transfer and double compact for wider pads.

MXS Series Pads



“MXS” moto-x race pads, ultra high friction American-made sintered copper alloy with diamond ground surface finish for fast brake-in. With external hex drive slider pins, these pads are suitable for all fast moto-x riding.

“R” Series Pads



“R” series American-made sintered copper alloy ATV and Moto-X replacement pads for sport and utility off road riding.

Semi-Sintered V-PAD™



This semi-sintered brake pad combines the highest qualities of an organic brake pad with the endurance of a sintered equivalent brake pad. Designed for the heavy cruiser/streetbike market as a replacement brake pad. Can replace both sintered and organic pads.

MOTORCYCLE BRAKE PADS

EPFA Trackday Pads



EPFA trackday pads give long life in street use with improved fade resistance and heat cycling plus improved noise characteristics, making this a great pad for heavy streetbikes and cruisers as well as faster superbikes. Great for intermittent track use.

GPFX Race Series Pads



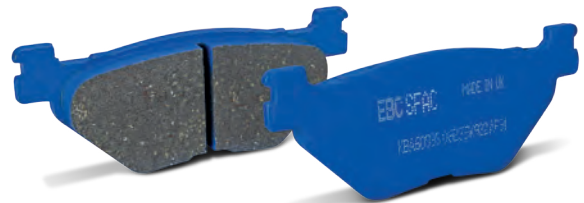
GPFX vacuum sintered ultra-high friction race pads are for sportbike asphalt racing and have been refined over the years to deliver one of the best brake race materials ever made. See page xii for full details.

SFA Organic Scooter Pads



A superb general replacement pad for urban use on scooter mopeds, mofas, mokicks and mopeds. Made using aramid fibres, these pads give above average lifetime, reduced disc wear characteristics and offer great value for money.

SFAC Carbon Scooter Pads



A high durability carbon organic compound giving higher pad performance and longer life for the mid to heavy scooter range. UK-made using 30% copper powder by weight with carbon granules.

SFA-HH Sintered Scooter Pads



These American-made sintered scooter pads are long lasting with high performance HH rated stopping power for perfect braking – wet or dry. The HH pads target the faster and heavier scooter market and work well with stainless steel brake discs.

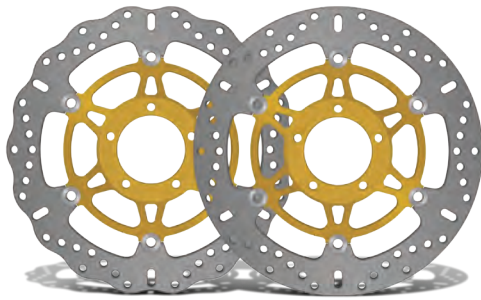
SXR Series Pads



SXR pads are sintered in a custom designed furnace to produce a premium blend of off-road race material that delivers high friction and heat stability. Available for all popular SXS models.

MOTORCYCLE BRAKE DISCS

X and XC Series Sportbike Discs



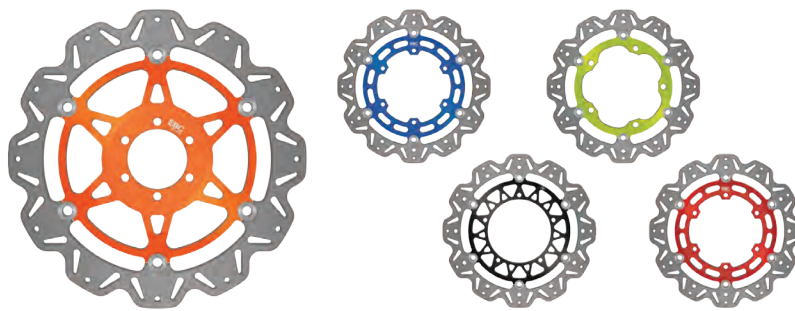
X and XC series discs feature mill hard stainless steel high friction disc blades for maximum brake effect and are direct size for size replacements for OEM discs. These lightweight discs feature our patented SD square drive button system.

VMD Classic Style Discs



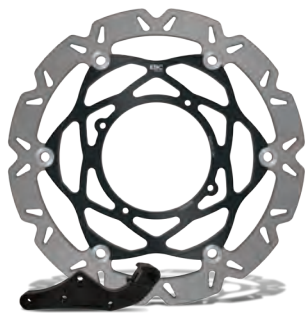
These lightweight, black anodised vintage discs are new to our range. The vintage fitment benefits from billet aluminium construction; lightweight, less unsprung weight enables better handling and stopping power. Perfect for the Café racer scene.

Sportbike VR Series Discs



Vee profile lightweight discs with alloy hubs and ground stainless steel disc blades for fast street bikes. Choose from black or coloured hub options as shown above. To order, prefix with VR and suffix with chosen colour BLK, RED, BLU, GRN, GLD. For rear discs just the VR number.

Supermoto Brake Disc



SMX 320mm disc with vee contour design upgrade kits complete with caliper relocation bracket.

Override MX Discs



250 or 280mm motocross override disc kit complete with relocation brackets for improved brake power and control with vee contour design disc.

MOTORCYCLE BRAKE DISCS

MD Series Stainless Scooter Discs



Made from mill hard rolled steel, these discs are machined to match the original units, mechanically de-stressed to avoid disc distortion, surface finished for precise smoothness.

VR Series Stainless Scooter Discs



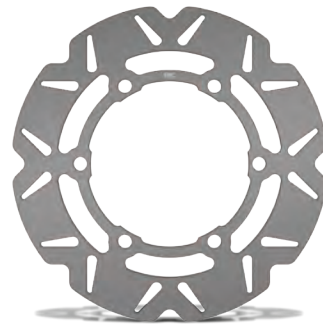
Made in the UK using German mill rolled heat treated and precision ground stainless steel, the new VR series stainless profiled scooter sport discs are the lightest and best looking on the market and can be used with any type of brake pad.

UTVX Discs for ATV/Quad/4x4



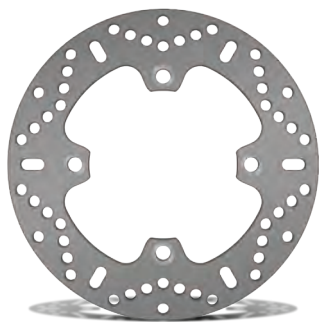
This new design greatly improves brake performance. Made in our British manufacturing facility using durable, tough German mill rolled stainless steel, heat treated and diamond ground to give great braking for less than OEM prices.

CX Extreme Off Road Discs



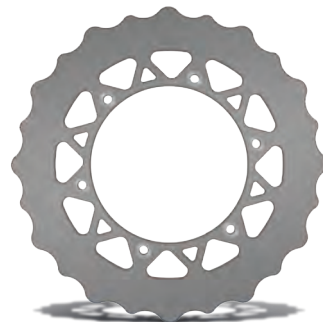
CX Extreme self-cleaning lightweight stainless discs are a size-for-size replacement/upgrade for front and rear fitment on all modern motocross machines.

Rear Brake Discs



Made from stainless steel and available in full circle or contoured profile, suitable for performance street use or racing with new lightweight hole pattern construction.

Enduro Rear Brake Discs



Made in the UK from German milled rolled, heat treated stainless steel. These discs have no drill pattern in the pad track which improves pad wear, prevents mud and debris being dragged between the pad and disc. Ideal for enduro competition in all conditions, use with EBC Brakes sintered MXS or R material brake pads.

DISC BOLT KITS

All manufacturers recommend new disc bolts when replacing brake discs on a motorcycle. EBC Brakes have a range of brake disc bolt kits available to purchase with all new EBC Brakes discs.

Our Disc Bolt Kits are produced to fit individual motorcycle models (refer to Catalogue for model listings). Manufactured from stainless steel with thread lock applied and comply with the original manufacturers specifications, are supplied in sets in the quantity required for each individual brake disc.

EBC Brakes Disc Bolt Kits

- Sold in line with OEM Specifications
- All bolts are stainless steel
- All bolts have thread lock applied



DISC BOLT PART NO.	MAKE
DB102/6	HONDA
DB201/6	YAMAHA
DB301/4	SUZUKI
DB302/3	SUZUKI
DB302/4	SUZUKI
DB302/5	SUZUKI
DB302/6	SUZUKI
DB303/5	SUZUKI
DB401/4	KAWASAKI
DB401/6	KAWASAKI
DB402/4	KAWASAKI
DB402/6	KAWASAKI
DB403/4	KAWASAKI

DISC BOLT PART NO.	MAKE
DB403/6	KAWASAKI
DB405/3	KAWASAKI
DB405/4	KAWASAKI
DB405/5	KAWASAKI
DB601/5	BMW
DB601/6	BMW
DB602/5	BMW
DB603/4	KTM
DB603/6	HUSQVARNA
DB604/5	APRILIA
DB604/6	APRILIA
DB605/4	TRIUMPH
DB605/6	TRIUMPH

EBC Brakes have Disc Bolt Kits specifically for Harley-Davidson®.

DISC BOLT KITS AVAILABLE	
HBK001	5 bolts in chrome finish 15/16 UNC - Front
HBK002	5 bolts in Black Chrome finish 15/16 UNC - Front
HBK003	5 bolts in chrome finish 7/8 UNC - Rear
HBK004	5 bolts in Black Chrome finish 7/8 UNC - Rear



MOTORCYCLE CLUTCH OPTIONS

CK/CKF Series Clutch Kits



CK complete engine sets of stack height controlled friction plates feature the EBC Brakes' unique alloy particle impregnated clutch facings that prevent burn up or slippage. CKF carbon fibre impregnated kits for ATV and moto-x use are built to last longer, grip and feel better than cork kits.

DRC/DRCF Series Clutch Kits



DRC is the ultimate clutch rebuild kit for your ATV and Moto-X machine. The DRCF kit swaps the stock type cork friction plates for a set of severe duty carbon fibre lined friction plates for better heat and wear abilities.

SRC/SRK Series Clutch Kits



SRC is an aramid fibre lined plate set with heavy duty clutch springs (diaphragm type springs included where required). Ideal for heavy sport bikes, faster riders and production based race use. SRK series includes a full engine set of aramid lined friction plates with clutch springs and steel separator plates.

CSK Coil & Diaphragm Clutch Kits



CSK sets include either coiled springs or diaphragm springs where appropriate. Coil springs are spiral wound with 4 to 8 pieces per set, made from heat treated high carbon steel delivering the right tension for your bike. Diaphragm springs are dish shaped flat steel pressure rings.

Clutch Removal Tools



**NOW MADE
IN STAINLESS STEEL**

Made in the UK by EBC Brakes, these laser cut clutch tools make clutch removal, loosening of the drive shaft bolts and re-tightening a breeze, without any fear of damage to your expensive clutch basket. Tools can be extended to create more leverage if required with any simple workshop tool or tube. EBC Brakes produce a clutch tool for almost every clutch plate design known.

BRAKE LINES

Upgrade to EBC High Performance Brake Lines



What makes EBC brake lines the best quality?

- Factory built (not 'workshop made' from components)
- 100% pressure tested after assembly
- Best fitment guaranteed
- Identical routing as originals

EBC brake lines are manufactured from the highest quality materials, with braided stainless steel PTFE hose and grade 303 stainless steel precision machined fittings. EBC do not use mild steel or aluminium components in our brake lines, instead we choose stainless steel for every component, as this material offers maximum quality in terms of strength and corrosion resistance. EBC brake lines are designed and built to last, that's why every line is offered with a lifetime warranty.

As an absolute guarantee of quality, EBC brake lines manufactured to Federal Motor Vehicle Safety Standards (FMVSS-106) and have the following approvals: DOT, TÜV, ISO9001, DEKRA, ARAI, CCC AND ADR.

SXS Products from EBC BRAKES

The longest lasting, highest performing aftermarket pads and discs for the SxS industry yet ... All EBC Brakes pads for SxS fitments, both sintered and carbon TT pads, are made with beefed-up pad thickness and DO NOT REQUIRE or accommodate the fitting of noise shims, offering even more available pad life for this tough application.



UTVX Discs

- Profiled
- UK made
- Heat treated stainless steel



SXR Pads

- Vacuum sintered • Maximum grip
- Race performance • Longest wear life



Sport Carbon TT Pads

- Fast, dry riding
- Enhanced life material
- Enhanced pad thickness

All parts are in stock at your favourite EBC Brakes distributor NOW for immediate delivery.

SXS BRAKE PADS AND DISCS

Part #	Make/Model	Year	Pad Position	EAN	Matching UTVX Disc	
					Front	Rear
SXR354HH	POLARIS			5050953856297		
	570 Sportsman Ace/Ace Euro	2015-2020	Rear		UTVX6202	UTVX6275
	800 Ranger Crew	2010-2014	Rear		UTVX6338	UTVX6275
SXR452HH	POLARIS			5050953856358		
	500 Ranger (4 x 4 EFI)/(Carb) 2 x 4/Ranger Crew	2008-2013	Front		UTVX6202	UTVX6275
	500 Ranger (EFI) 4 x 4 H.O.	2009-2011	Front		UTVX6338	UTVX6275
	RGR 570, Full Size (R06)	2016	Front		UTVX6202	UTVX6275
	700 Ranger Crew (EFI) 4 x 4/6 x 4 EFI/XP 4 x 4	2008-2009	Front		UTVX6202	UTVX6275
	700 Ranger 4 x 4 EFI	2009	Front		UTVX6338	UTVX6275
	800 Ranger/EFI/XP/Crew	2010-2014	Front		UTVX6338	UTVX6275
	800 Ranger 6 x 6	2010-2017	Front & Rear		UTVX6338	UTVX6275
	RZR-4 800 EPS	2012	Front		UTVX6338	UTVX6275
	Ranger EV (Electric)	2010-2015	Front		UTVX6202	UTVX6275
	900 D Crew Ranger Diesel/Crew Ranger Diesel	2011-2014	Front		UTVX6338	UTVX6275
	900 (Ranger XP 900)	2015-2019	Front		UTVX6338	UTVX6275
	900 (Ranger XP 900)	2013-2014	Front		UTVX6338	UTVX6374
	Ranger Crew 900 All Options (R07)	2016-2019	Front & Rear		UTVX6338	UTVX6275
	1000 General EPS (2 Seat)	2016	Front		UTVX6338	UTVX6338
	1000 General EPS PS MD (R09, R13, 2 Seat)	2017-2020	Front		UTVX6408	UTVX6408
	1000 General 4 EPS PS XP DLX (R01, R14, R18, 4 Seat)	2017-2020	Front		UTVX6338	UTVX6408
1000 Ranger Diesel Crew	2015	Front		UTVX6338	UTVX6275	
SXR456HH	POLARIS			5050953856372		
	RZR 570/RZR 800 (Inc EPS Models)	2008-2014	Front		UTVX6312	UTVX6275
	RZR 570 S/EU/MD (R05)	2014-2019	Front		UTVX6338	UTVX6275
	Wildcat 4X/4X-LTD/4/4 LTD 1000	2013-2016	Front		UTVX6384	UTVX6384
SXR642HH	CAN AM			5050953856419		
	Commander 1000 R EFI	2018-2019	Front Left		UTVX6411	UTVX6366
	Commander Max 1000 - DPS/XT/LTD	2014-2015	Front Left		TBC	UTVX6370
	Maverick 1000 - STD/XRS/XRS/XDS - DPS/XMR/XXC	2014-2015	Front Left		UTVX6411	UTVX6370
	Maverick Max 1000 Std/1000 - XRS/XDS - DPS	2014-2017	Front Left		UTVX6411	UTVX6370
SXR645HH	CAN AM			5050953856433		
	Commander 1000 R EFI	2018-2019	Front Right		UTVX6411	UTVX6366
	Commander Max 1000 - DPS/XT/LTD	2014-2015	Front Right		TBC	UTVX6370
	Maverick 1000 - STD/XRS/XRS/XDS - DPS/XMR/XXC	2014-2015	Front Right		UTVX6411	UTVX6370
	Maverick Max 1000 - Std/1000 - XRS/XDS - DPS	2014-2017	Front Right		UTVX6411	UTVX6370
SXR656HH	POLARIS			5050953856457		
	570 Sportsman Ace/Ace Euro	2015-2020	Front		UTVX6202	UTVX6275
	570 Ranger Crew EFI	2014-2015	Front		UTVX6202	UTVX6275
	RGR 570, Full Size (R12/R06/R03)	2017-2020	Front		UTVX6202	UTVX6275
	RGR CRW 570 FS (R08/R05/R03)	2016-2020	Front		UTVX6202	UTVX6275
	RGR 570 EPS CRW MD (R04)/EFI CRW (R10/R03/R02)	2017-2020	Front		UTVX6202	UTVX6275
	RGR EV MD (R02)/EV LIION (R08/R03)/EV (R12/R03/R02)	2016-2019	Front		UTVX6202	TBC
	RGR 800 6X6 MD Poland (R02)	2017-2020	Front		UTVX6202	TBC
	RGR CRW 900 XP 6P SP (R10)/900 EPS (R03)/6P SP (R14)	2017-2019	Front		UTVX6338	TBC
	Ranger 902D EU Tractor R07	2019-2020	Front		UTVX6380	UTVX6338
	RZR XP 1000 S4 R02	2018-2020	Front		UTVX6380	UTVX6338
	900 Ranger Crew	2010-2015	Front		UTVX6338	UTVX6275
	1000 Ranger Diesel EU (R12)	2015-2020	Front		UTVX6338	UTVX6275
	RGR CRW 1000 XP PS MD (R08)/PS All Options (R32/R09)	2017-2018	Front		UTVX6338	UTVX6275
	RGR CRW 1000 XP 6P, PS, NB, MD (R08)/PS (R10)	2017-2020	Front		UTVX6338	UTVX6275
	RGR 1000 D Poland (R07)/D EU (R14) D Crew (R16)	2017-2018	Front		UTVX6338	UTVX6275

SXS BRAKE PADS



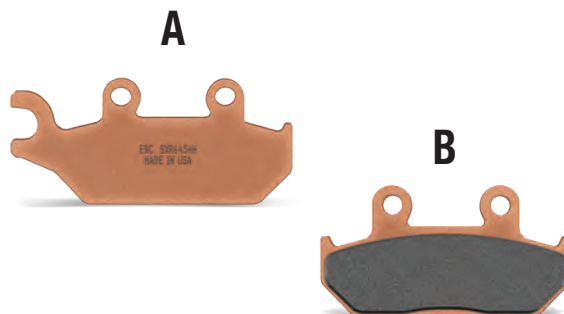
SXR354HH – 97mm wide



SXR452HH – 120mm wide



SXR456HH – 97.5mm wide



SXR642HH – A-104/B-88mm wide L/H
SXR645HH – A-104/B-88mm wide R/H (shown)



SXR656HH – 120.5mm wide



SXR677HH – 104mm wide



SXR680HH – 155mm wide



SXR682HH – A-117.5/B-95mm wide

SXS BRAKE PADS



A



B

SXR683HH – A-117.5/B-95mm wide



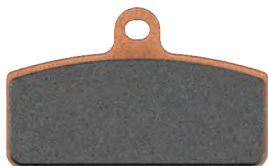
SXR728HH – 163.5mm wide



SXR738HH – 114mm wide



SXR739HH – 85.5mm wide



SXR756HH – 91mm wide



SXR768HH – 155.5mm wide














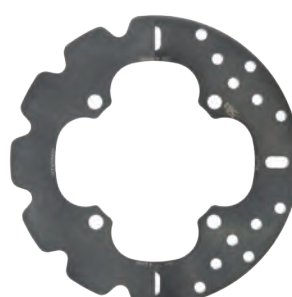


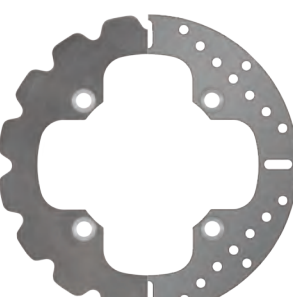
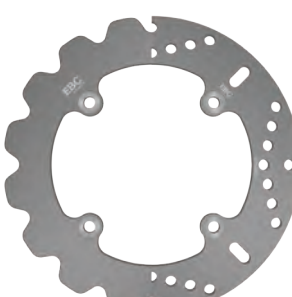



SXR769HH – 135mm wide

The diagrams above show a generic material friction pattern. Please see image below, for actual friction material.



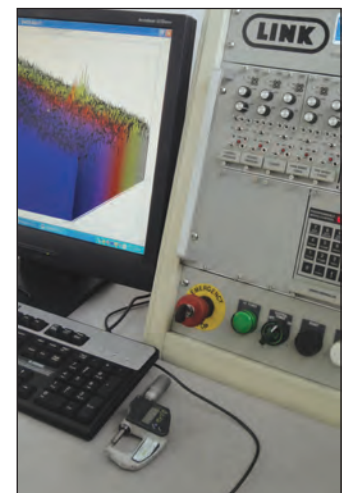
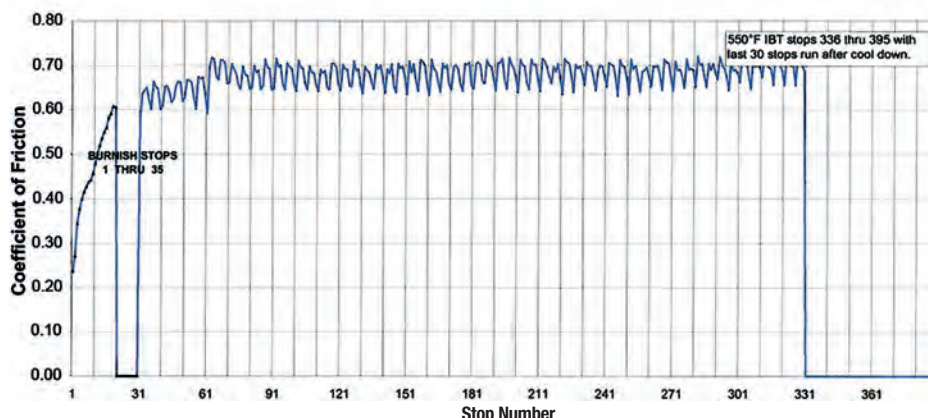
SXS BRAKE DISCS

			
UTVX6173 / MD6173 202mm/7.95"	UTVX6202 / MD6202 228mm/8.98"	UTVX6271 / MD6271 252mm/9.92"	UTVX6275 / MD6275 218mm/8.58"
			
UTVX6312 / MD6312 235mm/9.25"	UTVX6338 / MD6338 220mm/8.93"	UTVX6366 / MD6366 215mm/8.46"	UTVX6370 / MD6370 215mm/8.46"
			
UTVX6374 / MD6374 218mm/8.58"	UTVX6380 / MD6380 245mm/9.64"	UTVX6384 / MD6384 252mm/9.92"	UTVX6395 / MD6395 245mm/9.64"
			
UTVX6408 / MD6408 227mm/8.94"	UTVX6410 / MD6410 210mm/8.27"	UTVX6411 / MD6411 260mm/10.23"	UTVX6412 / MD6412 247.5mm/9.74"
			
UTVX6434 / MD6434 260mm/10.24"	UTVX6396 / MD6396 220mm/8.66"	UTVX6397 / MD6397 248mm/9.76"	

GPFX Full Race Pads

PART #	BRIEF FITMENT
GPFX016HH	AP/LOCKHEED CALIPERS / DUCATI 750 Sport / TRIUMPH (MERIDEN MODELS)
GPFX184HH	ISR AFTERMARKET CALIPERS
GPFX197HH	KAWASAKI Ninja 300 & 400
GPFX218HH	BREMBO CALIPERS
GPFX244HH	BREMBO CALIPERS / APRILIA early Dosoduro, RSV & Tuono models / DUCATI 748, 848, 916, 996, 998 models
GPFX263HH	AP LOCKHEED CALIPERS / PFM CALIPERS
GPFX295HH	BREMBO CALIPERS
GPFX296HH	HONDA CBR600 all F & RR3/4 models, CB1000R / KAWASAKI ZX6-R (636cc) Ninja 13-20
GPFX347HH	HONDA RS125 Radial caliper, NSF250R Moto3 / KAWASAKI ZX9-R & Z900 / MORIWAKI MD250H 08-13 / YAMAHA TZ250 Radial Caliper 02-10
GPFX379HH	KAWASAKI ZX10R 08-15, Ninja H2-SX 18-20 / SUZUKI GSXR 600/750 04-10, GSXR 1000 04-11
GPFX380HH	YAMAHA YZ-R6/R1 04-20
GPFX390HH	HONDA CBR 600 RR5 on Radial Caliper 05-16, CBR 1000 RR 05-16, CB 1000 R 09-15
GPFX417/4HH	KAWASAKI ZX6R (600cc) 07-16, ZZR1400 06-20
GPFX435/4HH	AP LOCKHEED CALIPERS / BREMBO RADIAL CALIPERS / PVM REAR CALIPERS
GPFX442/4HH	YAMAHA YZ-R1 Six Piston Radial Caliper 07-14
GPFX447HH	BREMBO CALIPERS / APRILIA RSV410-20, Tuono 17-20 / BENELLI Tornado, Bimota DB8, 9&11 / BMW HP2 Sport, HP4 13-20 / DUCATI Desmodici 2008, 1098, 1198, 1199 & 1299 Panigale / ENERGICA Electric / HONDA CBR1000RR SP 14-20, RC213V-S 15-18 / KAWASAKI H2 Ninja 15-16, ZX-10R 16-20, Ninja H2 17-20, ZX-10RR 17 / KTM RC8 08-15 / MV AUGUSTA 998/1000/1078 F4R/RR / SUZUKI GSXR600/750/1000 11-20 / TRIUMPH 675R
GPFX491HH	TRIUMPH Daytona 675 09-17
GPFX604/4HH	BMW S 1000 RR 10-18 / TRIUMPH Daytona 765 Moto2
GPFX611HH	BREMBO CALIPERS
GPFX630HH	DUCATI 899, V2 955cc, 959 Panigale models / KAWASAKI Z H2 / KTM 890 Duke R / INDIAN FTR1200
GPFX646HH	BREMBO CALIPERS
GPFX662HH	YAMAHA YZ-F R3 Rear 15-20
GPFX663HH	YAMAHA YZ-F R3 Front 15-20
GPFX673HH	BREMBO CALIPERS
GPFX700HH	HONDA CBR600RR 17-20, CBR1000R/RR Tokico Caliper 17-20
GPFX724HH	BMW S1000 R/RR Sport & M Sport 18-20
GPFX730HH	BREMBO CALIPERS
GPFX734HH	743 - YAMAHA TZ250/350
GPFX757HH	BMW M1000RR, M1000R, S1000R, S1000RR – 21-24 HONDA CBR1000 RR-SP 21-24

BURNISH & SNUB STOPS



These pads bed in fast and deliver extremely high friction linear performance in track use. GPFX pads are high friction but highly stable in stop. This means pads are powerful and predictable time after time when the brake is applied in race use. The “in-stop” friction fall off is almost zero and can hardly be noticed at the lever meaning the brakes offer superb control. The EBC dyno is set to duplicate race conditions at the Road America race track and represents a true simulation of race brake demand. The number of race teams using GPFX grows annually and for 2021 the exact same formulation developed through 2019 is used again.

EBC pads are developed in our own laboratory and tested using this race track simulator dynamometer to guarantee perfection before being thoroughly field tested on dozens of race teams.

EBC[®] BRAKES

Catalogue - Issue 204

AMERICAN, EUROPEAN, ASIAN AND
BRITISH BUILT MACHINES



JAPANESE Built Motorcycles



HONDA

DISC PAD CHOICES - FRONT

BRAKE DISC CHOICES - FRONT

FRONT / AVANT / VORN / FRENTE / ANTERIORE

FA, SFA, TT Pad or Brake Shoe	SFAC Carbon Scooter Pads	Speciality Pads - SXR / Vee / MXS	Sintered/HH Pads/ Grooved Shoes	Standard Replacement Discs	Contour Disc Universal Left and Right	Vee-Discs Black † See note below	CX Extreme Disc / UTVX Disc	OSX Oversize 250mm or 280mm
C 50	1996-2002	H303						
C 50 All Models	1975-1993	H303						
C 50 N	1995	H303						
CB 50 Dream	1997-1998	FA197		FA197HH				
CB 50 J	1981	FA040						
CD 50 Benley S	1996-1999	H304						
CF 50 Chaly	1979	H303						
CHF 50-1 Scoopy	2001-2005	H333						
CL 50 Benley	1997-1999	H304						
CR 50 R	1984-1985	H333		H333G				
CRF 50 F	2004-2023	H301						
CRM 50 R	1993-1996	FA125TT		FA125R	MD6001D		MD6001CX	
MB 5 S	1980-1982	SFA054	SFAC054	SFA054HH				
MBX 50 S	1983-1985	FA086		FA086HH				
MG 50 Magna AC13-	1995-2003	SFA054	SFAC054	SFA054HH				
MP 50 AC 17 Solo	2003	H304						
MRX 50	1988	FA054TT						
MT 50 S	1980-1993	H304		H304G				
MTX 50 SC	1983-1984	H304		H304G				
NB 50 ME Aero	1984	H301						
NB 50 Vision	1986-1988	H301						
NC 50 A/B Express 3 Delux	1982	H301						
NC 50 C Express 2	1982	H301						
NC 50 Z Express	1979-1982	H301						
NCX 50 Dunk	2014-2017	SFA708			MD923D			
NE 50 M Vision	1986-1987	H301						
NH 50 Lead AF01/D716	1984-1985	SFA176						
NH 50 Lead SS	1984	SFA176						
NJ 50 M TD01 Gyro-X	2000-2002	H333						
NP 50 D Melody Mini	1983	H301						
NPC 50 2/3 AF59 Bite	2002-2003	H333						
NPS 50 AF58 Zoomer	2001-2021	H333						
NS 50 Melody	1982	H301						
NS 50 Melody	1982	H301						
NSC 50 M Vision	2012-2018	SFA603	SFAC603	SFA603HH	MD9134D		VR9134	
NSC 50 R	2012-2016	SFA603	SFAC603	SFA603HH	MD9134D		VR9134	
NSC 50 W Vision	2012-2016	SFA603	SFAC603	SFA603HH	MD9134D		VR9134	
NSR 50 F	1993-1995	FA086		FA086HH				
NSR 50 R	1997-2000	FA197		FA197HH	MD1142RS			
NSR 50 S	1989-1995	FA086						
NSR 50 V AC10-180	1997	SFA197	SFAC197	SFA197HH	MD1169C			
NSR 50 X AC10-190	1999	SFA197	SFAC197	SFA197HH	MD1169C			
NT 50 F Melody Mini	1985-1987	H301						
NU 50 MC Runaway	1982	H333						
NV 50 MSD Stream	1984	H302						
NVS 50 Today	2001-2005	H333						
NX 50 A Caren	1980-1982	H301						
PA 50 Camino	1979-1986	H322						
PA 50 Camino	1988-1989	H335						
PC 50 K1	1979	H301						
PF 50 M Novio	1975	H322						
PK 50 Wallaro	1990-2001	H333						
PX 50	1982-1983	H322						
PX 50	1984	H322						
PXR 50	1984	H335						
QR 50 D	1983-1987	H301						
QR 50 M	1993-2003	H301						
SA 50 Vision Metin	1988-1995	H333						
SFX 50	1995-2004	SFA193	SFAC193	SFA193HH	MD906D		VR906	
SGX 50 Sky/Sky Deluxe	1997-2003	SFA193	SFAC193	SFA193HH	MD931D		VR931	

Line #

1
2
3
4
5
6
7
8
9
10
11
12
13
14
15
16
17
18
19
20
21
22
23
24
25
26
27
28
29
30
31
32
33
34
35
36
37
38
39
40
41
42
43
44
45
46
47
48
49
50
51
52
53
54
55
56
57
58
59
60

R Suffix = High Durability Sintered Pad. **HH** Suffix = High Performance Sintered Pad. **TT** Suffix = Hard Wearing Off Road Pad. **V** Suffix = Semi Sintered Pad. **G** Suffix = Grooved Shoe.
D Suffix = Drilled Disc. **X** Suffix = Universal Left or Right Floating Disc. **XC** Suffix = Contoured Floating Disc. **LS** Suffix = Left/Steel Disc. **RS** = Right/Steel Disc.

*-2 Sets Required. † For Vee disc colours add RED, BLU, GRN, GLD, ORG suffix to part number.

⊗ - Also available as a Vintage Motorcycle Disc. ★ - EPFA available. ⚙ Disc made of Billet steel. ♦ CE solid discs for Enduro use.

2 Part numbers, prefixes, suffixes, photos and illustrations shown in this catalogue are trademarks and/or copyrights of EBC Brakes or the trademark owner A C Freeman Investments Ltd and use without express written permission of the owners is punishable by law.

JAPANESE Built Motorcycles

Line #	BRAKE DISC CHOICES - FRONT			DISC PAD CHOICES - REAR				BRAKE DISC CHOICES - REAR					
	SMX Oversize 320mm Disc Kit Front Left	Front disc bolt kit	Front Brake Line	FA, SFA, TT Pad or Brake Shoe	SFAC Carbon Scooter Pads	Speciality Pads - SXR / Vee / MXS	Sintered HH/R Pads/ Grooved Shoes	Standard Replacement Disc	Contour Disc Rear Fitment	Vee Discs CONTOUR	CX Extreme MX Race Disc / UTVX Disc	Rear disc bolt kit	Rear Brake Line
1				H304									
2				H303									
3				H304									
4				FA131TT									
5				H304									
6				H304									
7				H303									
8				H333									
9				H304									
10				H333			H333G						
11				H301									
12				H304									
13				H304									
14				H304									
15				H304									
16				H304									
17				H304									
18				H304			H304G						
19				H304			H304G						
20				H302									
21				H302									
22				H302									
23				H302									
24				H301									
25				H353									
26				H302									
27				H302									
28				H302									
29				H333*									
30				H302									
31				H333									
32				H333									
33				H302									
34				H302									
35				H352									
36				H352									
37				H352									
38				H304									
39				SFA131/3			SFA131/3HH	MD1143					
40				H304									
41				SFA131/3			SFA131/3HH		MD1170C				
42				SFA131/2			SFA131/2HH		MD1170C				
43				H301									
44				H302									
45				H302									
46													
47				H302									
48				H322									
49				H335									
50				H301									
51				H322									
52				H303									
53				H302									
54				H337									
55				H334									
56				H302									
57				H333									
58				H333									
59				H303									
60				H303									

REAR / ARRIÈRE / HINTEN / POSTERIOR / POSTERIORE

R Suffix = High Durability Sintered Pad. **HH** Suffix = High Performance Sintered Pad. **TT** Suffix = Hard Wearing Off Road Pad. **V** Suffix = Semi Sintered Pad. **G** Suffix = Grooved Shoe.
D Suffix = Drilled Disc. **X** Suffix = Universal Left or Right Floating Disc. **XC** Suffix = Contoured Floating Disc. **LS** Suffix = Left/Steel Disc. **RS** = Right/Steel Disc.

*-2 Sets Required. † For Vee disc colours add RED, BLU, GRN, GLD, ORG suffix to part number.

⊙ - Also available as a Vintage Motorcycle Disc. ★ - EPFA available. ⚙ Disc made of Billet steel. ♦ CE solid discs for Enduro use.

Part numbers, prefixes, suffixes, photos and illustrations shown in this catalogue are trademarks and/or copyrights of EBC Brakes or the trademark owner A C Freeman Investments Ltd and use without express written permission of the owners is punishable by law.

BRAKE APPLICATIONS

JAPANESE Built Motorcycles



HONDA Contd.



DISC PAD CHOICES - FRONT

BRAKE DISC CHOICES - FRONT

R Suffix = High Durability Sintered Pad. HH Suffix = High Performance Sintered Pad. TT Suffix = Hard Wearing Off Road Pad. V Suffix = Semi Sintered Pad. G Suffix = Grooved Shoe.

D Suffix = Drilled Disc. X Suffix = Universal Left or Right Floating Disc. XC Suffix = Contoured Floating Disc. LS Suffix = Left/Steel Disc. RS = Right/Steel Disc.

FRONT / AVANT / VORN / VORN / FRENTE / ANTERIORE

Model	Year	FA, SFA, TT Pad or Brake Shoe	SFAC Carbon Scooter Pads	Speciality Pads - SXR / Vee / MXS	Sintered/HH Pads/ Grooved Shoes	Standard Replacement Discs	Contour Disc Universal Left and Right	Vee-Discs Black † See note below	CX Extreme Disc / UTVX Disc	OSX Oversize 250mm or 280mm	Line #
SH 50 City Express	1985-1996	H303									1
SH 50 T Fifty/Scoopy	1997-2003	SFA193	SFAC193		SFA193HH	MD918D					2
SJ 50 Bali	1993-1999	SFA256	SFAC256		SFA256HH	MD923D		VR923			3
SN 50 Giorno	1994	H333									4
SRX 50 Joker/Shadow	1997-1999	SFA131/3			SFA131/3HH	MD931D		VR931			5
SS 50 ZB2	1977-1980	FA040									6
SS 50 ZK2	1975-1977	H303									7
ST 50 Dax	1978-1993	H303									8
SXR 50	1998-1999	SFA193	SFAC193		SFA193HH	MD906D		VR906			9
TC 50 Gyro Canopy TA02	1996-2000	H303									10
TC 50 Gyro Canopy TA02	2000-2002	H304									11
TLM 50 F	1985	H333			H333G						12
X8R-S SZX 50 Supersport Scooter	1998-2004	SFA193	SFAC193		SFA193HH	MD920D		VR920			13
X8R-X SZX 50 Crosssport Scooter	1998-2004	SFA193	SFAC193		SFA193HH	MD920D		VR920			14
XR 50 M5 AD14 Motard	2005	FA197			FA197HH						15
XR 50 R	2001-2003	H301									16
XZ 50 1/2 APE-AC16	2001-2002	H304									17
Z 50 R All Models	1979-1986	H301									18
CR 60 R	1985-1986	H333			H333G						19
ATC 70 All Models	1978-1985										20
C 70 All Models	1975-1985	H303									21
CF 70 C	1977-1978	H303									22
CRF 70 F	2004-2013	H333			H333G						23
TRX 70 Fourtrax	1986-1987	H346*			H346G*						24
XR 70 R	1997-2003	H333			H333G						25
CRM 75 R	1989-1994	FA125TT			FA125R	MD6001D			MD6001CX		26
NF 75	1979	H303									27
NSR 75 NS-1	1992-2000	SFA197	SFAC197		SFA197HH	MD1142RS					28
SA 75 Vision	1989	H303									29
SH 75 Scoopy	1987-1995	H303									30
XR 75 K4	1975-1978	H304			H304G						31
XR 75 K5	1979	H303			H303G						32
CR 80 R	1986-1991	FA084TT		MXS084	FA084R	MD6004D					33
CR 80 R	1992-1995	FA084TT		MXS084	FA084R	MD6004D					34
CR 80 R2F/R2G	1985-1986	H304			H304G						35
CR 80 RA/RB	1980-1981	H304			H304G						36
CR 80 RB Expert	1996-2002	FA084TT		MXS084	FA084R	MD6058D			MD6058CX	OSX6058	37
CR 80 RC	1982	H304			H304G						38
CR 80 RD/RE	1983-1984	H333			H333G						39
CR 80 RF	1985	H333			H333G						40
CRE 80 R	1998	FA084TT		MXS084	FA084R	MD6058D			MD6058CX	OSX6058	41
CRF 80 F	2004-2013	H333			H333G						42
MB 80 MB8	1980	FA083/2TT									43
MBX 80	1983-1986	SFA054*	SFAC054*		SFA054HH*						44
MCX 80	1982	FA083/2TT									45
MTX 80	1983-1984	H304			H304G						46
NH 80	1983-1986	H303									47
NH 80 Lead	1985	SFA176									48
NH 80 Lead SS	1985	SFA176									49
NH 80 MDR	1994	H303									50
NSR 80 HC06	1988-1992	FA086			FA086HH	MD1169C					51
NSR 80 P HC06	1993-1995	SFA197	SFAC197		SFA197HH	MD1169C					52
NSR 80 V HC06-170	1997	SFA197	SFAC197		SFA197HH	MD1169C					53
NSR 80 X HC06-180	1999	SFA197	SFAC197		SFA197HH	MD1169C					54
XR 80 R	1987-1988	H333			H333G						55
XR 80 Z/A/B	1980-1981	H304			H304G						56
CR 85 R	2003-2007	FA084TT		MXS084	FA084R	MD6058D			MD6058CX	OSX6058	57
C 90 All Models	1975-1992	H303									58
C 90 All Models	1993-2003	H304									59
EZ 90 Cub	1991-1995	H303									60

*-2 Sets Required. † For Vee disc colours add RED, BLU, GRN, GLD, ORG suffix to part number.

⊗ - Also available as a Vintage Motorcycle Disc. ★ - EPFA available. ⚙ - Disc made of Billet steel. ♦ - CE solid discs for Enduro use.

JAPANESE Built Motorcycles

Line #	BRAKE DISC CHOICES - FRONT			DISC PAD CHOICES - REAR				BRAKE DISC CHOICES - REAR					
	SMX Oversize 320mm Disc Kit Front Left	Front disc bolt kit	Front Brake Line	FA, SFA, TT Pad or Brake Shoe	SFAC Carbon Scooter Pads	Speciality Pads - SXR / Vee / MXS	Sintered HH/R Pads/ Grooved Shoes	Standard Replacement Disc	Contour Disc Rear Fitment	Vee Discs CONTOUR	CX Extreme MX Race Disc / UTVX Disc	Rear disc bolt kit	Rear Brake Line
1				H336									
2				H303									
3				H303									
4				H333									
5				H303									
6				H303									
7				H303									
8				H303									
9				H303									
10				H333									
11				H333									
12				H333			H333G						
13				SFA234				MD921D		VR921			
14				SFA234				MD921D		VR921			
15				FA131TT									
16				H301									
17				H304									
18				H301									
19				H333			H333G						
20				H310			H310G						
21				H303									
22				H303									
23				H333			H333G						
24				H306			H306G						
25				H333			H333G						
26				H304			H304G						
27				H303									
28				SFA131/2			SFA131/2HH	MD1143					
29				H333									
30				H336									
31				H303			H303G						
32				H303			H303G						
33				H338			H338G						
34				FA131TT		MXS131	FA131R	MD6005D			MD6005CX		
35				H304			H304G						
36				H304			H304G						
37				FA131TT		MXS131	FA131R	MD6005D			MD6005CX		
38				H333			H333G						
39				H333			H333G						
40				H338			H338G						
41				FA131TT		MXS131	FA131R	MD6005D			MD6005CX		
42				H333			H333G						
43				H304									
44				H304									
45				H304									
46				H304			H304G						
47				H302									
48				H302									
49				H333									
50				H333									
51				SFA131/3			SFA131/3HH		MD1170C				
52				SFA131/3			SFA131/3HH		MD1170C				
53				SFA131/3			SFA131/3HH		MD1170C				
54				SFA131/3			SFA131/3HH		MD1170C				
55				H333			H333G						
56				H304			H304G						
57			BLM6002-1F	FA131TT		MXS131	FA131R	MD6005D			MD6005CX		
58				H303									
59				H304									
60				H303									

REAR / ARRIÈRE / HINTEN / POSTERIOR / POSTERIORE

R Suffix = High Durability Sintered Pad. **HH** Suffix = High Performance Sintered Pad. **TT** Suffix = Hard Wearing Off Road Pad. **V** Suffix = Semi Sintered Pad. **G** Suffix = Grooved Shoe.
D Suffix = Drilled Disc. **X** Suffix = Universal Left or Right Floating Disc. **XC** Suffix = Contoured Floating Disc. **LS** Suffix = Left/Steel Disc. **RS** = Right/Steel Disc.

*-2 Sets Required. † For Vee disc colours add RED, BLU, GRN, GLD, ORG suffix to part number.

⊙ - Also available as a Vintage Motorcycle Disc. ★ - EPFA available. ⊕ Disc made of Billet steel. ◆ CE solid discs for Enduro use.

Part numbers, prefixes, suffixes, photos and illustrations shown in this catalogue are trademarks and/or copyrights of EBC Brakes or the trademark owner A C Freeman Investments Ltd and use without express written permission of the owners is punishable by law.

BRAKE APPLICATIONS

JAPANESE Built Motorcycles



HONDA Contd.



DISC PAD CHOICES - FRONT

BRAKE DISC CHOICES - FRONT

FA, SFA, TT Pad or Brake Shoe	SFAC Carbon Scooter Pads	Speciality Pads - SXR / Vee / MXS	Sintered/HH Pads/ Grooved Shoes	Standard Replacement Discs	Contour Disc Universal Left and Right	Vee-Discs Black † See note below	CX Extreme Disc / UTVX Disc	OSX Oversize 250mm or 280mm
Lead 90			SFA131/3HH					
NH 90 Yuppy			SFA131/3HH					
SRX 90 Shadow			SFA131/3HH	MD931D				
TRX 90 EX		H303*	H303G*					
TRX 90 Fourtrax/Sportrax		H303*	H303G*					
TRX 90 X		H303*	H303G*					
CB 100 N		FA052						
CRF 100 F		H333	H333G					
CRF 100 F		H333	H333G					
H 100 A		H303						
NF 100 Astrea Grand & Supra		H303						
NF 100 Astrea Supra		SFA197	SFAC197	SFA197HH				
SCV 100-3 F5 Lead		H352						
SH 100 Scoopy		SFA193	SFAC193	SFA193HH	MD918D			
SJ 100 Bali Ex		SFA256	SFAC256	SFA256HH	MD923D	VR923		
XL 100 All models		H304		H304G				
XR 100 M5 HD13 Motard		FA197		FA197HH				
XR 100 R		H333		H333G				
XZ 100 2 APE-HC07		H304						
110 X Zoomer		SFA723	SFAC723					
ACB 110 Vario 110		SFA708			MD9134D	VR9134		
ACC 110 ANC 110 Icon		SFA708			MD9134D	VR9134		
ACD 110 Scoopy 110 Fi		SFA708			MD9134D	VR9134		
AFS 110 Wave		SFA625			MD9134D	VR9134		
ATC 110 All models								
CRF 110 F		H333		H333G				
CT 110 P		H304						
CT 110 Trail		H303						
CT 110 X		H304						
NSC 110 Dio		SFA708			MD9134D	VR9134		
NSC 110 E Vision		SFA603	SFAC603	SFA603HH	MD9134D	VR9134		
NSC 110 Spacy		SFA708			MD9134D	VR9134		
NSC 110 Vision		SFA603	SFAC603	SFA603HH	MD9134D	VR9134		
NSC 110 Vision		SFA708			MD9134D	VR9134		
SCR 110 Spacy		SFA721						
SCV 110 Lead NHX 110-WH8		SFA323	SFAC323	SFA323HH	MD923D	VR923		
SCV 110 Lead NHX 110-WHA		SFA603	SFAC603	SFA603HH	MD9140D	VR9140		
ACA 125 Air Blade 125		SFA708			MD9134D	VR9134		
ANF 125 Innova		SFA375						
ATC 125 ME/MG		H303		H303G				
C 125 Super Cub		FA691		FA691HH				
C 125 Super Cub 007		FA691		FA691HH				
CA 125 Rebel		FA228		FA228HH	MD1030			
CA 125 V Rebel		FA256		FA256HH	MD1030			
CB 125 F - GLR 125 1WHF		FA197		FA197HH	MD1030			
CB 125 F - GLR 125 1WHH		FA716			MD1030			
CB 125 J		FA040						
CB 125 K1-K5		H308						
CB 125 K6/S2								
CB 125 R - CBF125N				FA679HH	MD1210			
CB 125 RS		SFA054	SFAC054	SFA054HH				
CB 125 S		H303						
CB 125 T		FA040						
CB 125 T		FA069		FA069HH				
CB 125 T2		FA052						
CBF 125 6 Stunner		FA715	FA715V	FA715HH	MD1030			
CBF 125 M7 Stunner		FA715	FA715V	FA715HH	MD1030			
CBF 125 M9		FA375	FA375V	FA375HH	MD1030			
CBF 125 MM		FA716						
CBR 125 R		FA375	FA375V	FA375HH	MD644			

FRONT / AVANT / VORN / VORN / FRENTE / ANTERIORE

Line #
1
2
3
4
5
6
7
8
9
10
11
12
13
14
15
16
17
18
19
20
21
22
23
24
25
26
27
28
29
30
31
32
33
34
35
36
37
38
39
40
41
42
43
44
45
46
47
48
49
50
51
52
53
54
55
56
57
58
59
60

R Suffix = High Durability Sintered Pad. HH Suffix = High Performance Sintered Pad. TT Suffix = Hard Wearing Off Road Pad. V Suffix = Semi Sintered Pad. G Suffix = Grooved Shoe.
D Suffix = Drilled Disc. X Suffix = Universal Left or Right Floating Disc. XC Suffix = Contoured Floating Disc. LS Suffix = Left/Steel Disc. RS = Right/Steel Disc.

*-2 Sets Required. † For Vee disc colours add RED, BLU, GRN, GLD, ORG suffix to part number.

⊗ - Also available as a Vintage Motorcycle Disc. ★ - EPFA available. ⚙ Disc made of Billet steel. ♦ CE solid discs for Enduro use.

JAPANESE Built Motorcycles

Line #	BRAKE DISC CHOICES - FRONT			DISC PAD CHOICES - REAR				BRAKE DISC CHOICES - REAR					
	SMX Oversize 320mm Disc Kit Front Left	Front disc bolt kit	Front Brake Line	FA, SFA, TT Pad or Brake Shoe	SFAC Carbon Scooter Pads	Speciality Pads - SXR / Vee / MXS	Sintered HH/R Pads/ Grooved Shoes	Standard Replacement Disc	Contour Disc Rear Fitment	Vee Discs CONTOUR	CX Extreme MX Race Disc / UTVX Disc	Rear disc bolt kit	Rear Brake Line
1				H336									
2				H303									
3				H303									
4				H306			H306G						
5				H306			H306G						
6				H306			H306G						
7				H304									
8				H333			H333G						
9				H333			H333G						
10				H303									
11				H303									
12				H303									
13				H352									
14				H303									
15				H303									
16				H304			H304G						
17				FA131TT									
18				H333			H333G						
19				H304									
20				H352									
21				H352									
22				H352									
23				H352									
24				H353									
25				H306			H306G						
26				H333			H333G						
27				H304									
28				H304									
29				H352									
30				H352									
31				H352									
32				H352									
33				H352									
34				H352									
35				H352									
36				H352									
37				H352									
38				H352									
39				H353									
40				H306			H306G						
41				H352									
42				H352									
43				H318									
44				H318									
45				H352									
46				H352									
47				H304									
48				H310			H310G						
49				H310			H310G						
50				FA629			FA629HH	MD1181	MD1181C				
51				H310			H310G						
52				H303									
53				H310			H310G						
54				H310			H310G						
55				H310			H310G						
56				H352									
57				H352									
58				H352									
59				H352									
60				FA343			FA343HH	MD1151					

REAR / ARRIÈRE / HINTEN / POSTERIOR / POSTERIORE

R Suffix = High Durability Sintered Pad. **HH** Suffix = High Performance Sintered Pad. **TT** Suffix = Hard Wearing Off Road Pad. **V** Suffix = Semi Sintered Pad. **G** Suffix = Grooved Shoe. **D** Suffix = Drilled Disc. **X** Suffix = Universal Left or Right Floating Disc. **XC** Suffix = Contoured Floating Disc. **LS** Suffix = Left/Steel Disc. **RS** = Right/Steel Disc.

BRAKE APPLICATIONS

*-2 Sets Required. † For Vee disc colours add RED, BLU, GRN, GLD, ORG suffix to part number.

⊙ - Also available as a Vintage Motorcycle Disc. ★ - EPFA available. ⊕ Disc made of Billet steel. ◆ CE solid discs for Enduro use.

Part numbers, prefixes, suffixes, photos and illustrations shown in this catalogue are trademarks and/or copyrights of EBC Brakes or the trademark owner A C Freeman Investments Ltd and use without express written permission of the owners is punishable by law.

JAPANESE Built Motorcycles



HONDA Contd.



DISC PAD CHOICES - FRONT

BRAKE DISC CHOICES - FRONT

R Suffix = High Durability Sintered Pad. **HH** Suffix = High Performance Sintered Pad. **TT** Suffix = Hard Wearing Off Road Pad. **V** Suffix = Semi Sintered Pad. **G** Suffix = Grooved Shoe.
D Suffix = Drilled Disc. **X** Suffix = Universal Left or Right Floating Disc. **XC** Suffix = Contoured Floating Disc. **LS** Suffix = Left/Steel Disc. **RS** = Right/Steel Disc.

FRONT / AVANT / VORN / FRENTE / ANTERIORE

		FA, SFA, TT Pad or Brake Shoe	SFAC Carbon Scooter Pads	Speciality Pads - SXR / Vee / MXS	Sintered/HH Pads/ Grooved Shoes	Standard Replacement Discs	Contour Disc Universal Left and Right	Vee-Discs Black † See note below	CX Extreme Disc / UTVX Disc	OSX Oversize 250mm or 280mm	Line #
CBR 125 RW	2007-2010	FA375		FA375V	FA375HH	MD644					1
CBR 125 RW	2011-2016	FA375		FA375V	FA375HH	MD1166RS					2
CBX 125 Custom	1988	FA086			FA086HH						3
CBX 125 F	1984	FA069			FA069HH						4
CBX 125 TS Custom	1982	SFA054	SFAC054		SFA054HH						5
CD 125 TC	1978	H312									6
CG 125 BR	1985-1997	H330									7
CG 125 Cargo	2009-2010	H352									8
CG 125 ES	2004-2008	SFA054	SFAC054		SFA054HH						9
CG 125 Job	2005	H352									10
CG 125 K1	1977-1984	H303									11
CG 125 T	1998-2003	H330									12
CH 125 D Spacy	1984-1986	H303									13
CH 125 J Spacy	1988-1996	H303									14
CLR 125 W City Fly	1999-2003	FA256			FA256HH	MD1147LS					15
CM 125 CC/CF	1982-1985	H312									16
CR 125 M2-M4 Elsinore	1976-1978	H304			H304G						17
CR 125 R	1990-1991	FA125TT			FA125R	MD6003D					18
CR 125 R	1992-1994	FA125TT			FA125R	MD6001D			MD6001CX	OSX6001E	19
CR 125 R	1995-1997	FA185TT		MXS185	FA185R	MD6037D			MD6037CX	OSX6037	20
CR 125 R	1998-2001	FA185TT		MXS185	FA185R	MD6037D			MD6037CX	OSX6037	21
CR 125 R	2002-2003	FA185TT		MXS185	FA185R	MD6037D			MD6037CX	OSX6037	22
CR 125 R	2004-2007	FA185TT		MXS185	FA185R	MD6037D			MD6037CX	OSX6437	23
CR 125 R Elsinore	1979-1981	H324									24
CR 125 RC	1982	H319			H319G						25
CR 125 RD	1983	H331			H331G						26
CR 125 RE/RF	1984-1985	FA092TT			FA092R	MD6087D					27
CR 125 RG	1986	FA092TT			FA092R	MD6087D					28
CR 125 RH/RJ	1987-1988	FA125TT			FA125R	MD6087D					29
CR 125 RK	1989	FA125TT			FA125R	MD6008D					30
CRF 125 F	2014-2023	FA185TT		MXS185	FA185R	MD6390D	MD6390C				31
CRF 125 FB	2014-2023	FA185TT		MXS185	FA185R	MD6390D	MD6390C				32
CRM 125 R	1990-1999	FA256			FA256HH	MD1147LS					33
CT 125 C	1985	H304									34
CT 125 Trail	2020-2022	FA691			FA691HH						35
FES 125 Pantheon	1998-2002	SFA281	SFAC281		SFA281HH	MD922D		VR922			36
FES 125 Pantheon	2003-2006	SFA281	SFAC281		SFA281HH	MD922D		VR922			37
FES 125 S-Wing	2007-2013	SFA388	SFAC388		SFA388HH	MD922D		VR922			38
FES 125 S-Wing	2007-2015	SFA388	SFAC388		SFA388HH	MD922D		VR922			39
FS 125 Sonic	2003-2004	SFA086	SFAC086		SFA086HH						40
LS 125 RY	2000	FA086			FA086HH						41
MBX 125 FE	1984-1986	FA086			FA086HH						42
Monkey 125 M AC	2018-2024	FA375			FA375HH	MD1191	MD1191C	VR1191		OSX1191	43
MSX 125 Grom	2013-2021	FA375			FA375HH	MD1183	MD1183C	VR1183		OSX1183	44
MSX 125 Grom	2018-2024	FA375			FA375HH	MD1191	MD1191C	VR1191		OSX1191	45
MTX 125 RWD	1983-1984	H304									46
MTX 125 RWE	1985-1995	FA092TT			FA092R	MD6087D					47
NES 125 Scooter	2000-2006	SFA323	SFAC323		SFA323HH	MD970D		VR970			48
NH 125 Lead	1986-1987	SFA176									49
NH 125 MD-D Lead	1983	H303									50
NS 125 F	1986-1987	FA256			FA256HH	MD1084LS					51
NSC 125 New Elite	2018-2020	SFA721									52
NSR 125 F	1988-1992	FA256			FA256HH	MD1088LS					53
NSR 125 R	1989-1992	FA256			FA256HH	MD1088LS					54
NSR 125 RR	1993-2001	FA256			FA256HH	MD1109LS					55
NSS 125 Forza	2015-2024	SFA196	SFAC196		SFA196HH	MD9118D					56
NX 125 Transcity	1989-1997	FA256			FA256HH	MD1147LS					57
NXR 125 Bros ES/KS	2005	H352									58
PCX 125 S - WW AK	2018-2023	SFA693	SFAC693		SFA693HH	MD9177D					59
PCX 125 WW	2012-2017	SFA603	SFAC603		SFA603HH	MD9134D		VR9134			60

*-2 Sets Required. † For Vee disc colours add RED, BLU, GRN, GLD, ORG suffix to part number.

⊗ - Also available as a Vintage Motorcycle Disc. ★ - EPFA available. ⚙ - Disc made of Billet steel. ♦ - CE solid discs for Enduro use.

JAPANESE Built Motorcycles

BRAKE APPLICATIONS

Line #	BRAKE DISC CHOICES - FRONT			DISC PAD CHOICES - REAR				BRAKE DISC CHOICES - REAR					
	SMX Oversize 320mm Disc Kit Front Left	Front disc bolt kit	Front Brake Line	FA, SFA, TT Pad or Brake Shoe	SFAC Carbon Scooter Pads	Speciality Pads - SXR / Vee / MXS	Sintered HH/R Pads/ Grooved Shoes	Standard Replacement Disc	Contour Disc Rear Fitment	Vee Discs CONTOUR	CX Extreme MX Race Disc / UTVX Disc	Rear disc bolt kit	Rear Brake Line
1			BLM1057-1F	FA343			FA343HH	MD1151					
2			BLM1057-1F	FA629			FA629HH	MD1151					
3				H304									
4				H318									
5				H310			H310G						
6				H310			H310G						
7				H303									
8				H352									
9				H352									
10				H353									
11				H303									
12				H304									
13				H303									
14				H303									
15				H304									
16				H310			H310G						
17				H304			H304G						
18				FA131TT		MXS131	FA131R	MD6002D					
19				FA131TT		MXS131	FA131R	MD6002D					
20	SMX6037			FA131TT		MXS131	FA131R	MD6002D					
21	SMX6037		BLM6000-1F	FA131TT		MXS131	FA131R	MD6124D			MD6124CX		
22	SMX6037		BLM6000-1F	FA346TT		MXS346	FA346R	MD6191D	MD6191C		MD6191CX♦		
23	SMX6437		BLM6000-1F	FA346TT		MXS346	FA346R	MD6191D	MD6191C		MD6191CX♦		
24				H330			H330G						
25				H330			H330G						
26				H331			H331G						
27				H331			H331G						
28				H344			H344G						
29				FA131TT		MXS131	FA131R	MD6009D					
30				FA131TT		MXS131	FA131R	MD6002D					
31				H333			H333G						
32				H333			H333G						
33				FA047/3									
34				H304									
35				H352									
36				H351									
37				SFA140	SFAC140		SFA140HH	MD9135D		VR9135			
38				SFA415	SFAC415		SFA415HH	MD9135D		VR9135			
39				SFA415	SFAC415		SFA415HH	MD9135D		VR9135			
40				SFA375									
41				FA197			FA197HH						
42				H304									
43				FA343			FA343HH	MD1184⊗		VR1184			
44				FA629			FA629HH	MD1184⊗		VR1184			
45				FA629			FA629HH	MD1184⊗		VR1184			
46				H304									
47				H304			H304G						
48				H352									
49				H303									
50				H303									
51				H303									
52				H352									
53				FA047/3									
54				FA047/3									
55			BLM1110-1F	FA047/3									
56				SFA415	SFAC415		SFA415HH	MD9135D					
57				H303									
58				H353									
59				H352									
60				H352									

REAR / ARRIÈRE / HINTEN / POSTERIOR / POSTERIORE

R Suffix = High Durability Sintered Pad. **HH** Suffix = High Performance Sintered Pad. **TT** Suffix = Hard Wearing Off Road Pad. **V** Suffix = Semi Sintered Pad. **G** Suffix = Grooved Shoe. **D** Suffix = Drilled Disc. **X** Suffix = Universal Left or Right Floating Disc. **XC** Suffix = Contoured Floating Disc. **LS** Suffix = Left/Steel Disc. **RS** = Right/Steel Disc.

*-2 Sets Required. † For Vee disc colours add RED, BLU, GRN, GLD, ORG suffix to part number.

⊗ - Also available as a Vintage Motorcycle Disc. ★ - EPFA available. ⊕ Disc made of Billet steel. ♦ CE solid discs for Enduro use.

Part numbers, prefixes, suffixes, photos and illustrations shown in this catalogue are trademarks and/or copyrights of EBC Brakes or the trademark owner A C Freeman Investments Ltd and use without express written permission of the owners is punishable by law.

JAPANESE Built Motorcycles



HONDA Contd.



DISC PAD CHOICES - FRONT

BRAKE DISC CHOICES - FRONT

FRONT / AVANT / VORN / FRENTE / ANTERIORE

FA, SFA, TT Pad or Brake Shoe	SFAC Carbon Scooter Pads	Speciality Pads - SXR / Vee / MXS	Sintered/HH Pads/ Grooved Shoes	Standard Replacement Discs	Contour Disc Universal Left and Right	Vee-Discs Black † See note below	CX Extreme Disc / UTVX Disc	OSX Oversize 250mm or 280mm
PCX 125 WW-J	2018-2021	SFA723	SFAC723					
PES 125 PS	2006-2009	SFA323	SFAC323					
PES 125 PS	2008-2009	SFA323	SFAC323					
SC 125 Elite	2008-2014	SFA721						
SES 125 Dylan	2002-2007	SFA323	SFAC323					
SH 125 1/3	2001-2003	SFA323	SFAC323					
SH 125 Mode ANC 125 E	2014-2020	SFA603	SFAC603					
SH 125 Mode FSH125M	2021-2024	SFA723	SFAC723					
SH 125i	2004-2008	SFA323	SFAC323					
SH 125i	2007-2008	SFA323	SFAC323					
SH 125i	2008	SFA323	SFAC323					
SH 125i	2009-2012	SFA388	SFAC388					
SH 125i	2009	SFA323	SFAC323					
SH 125i	2014-2016	SFA388	SFAC388					
SH 125i ADL	2014-2024	SFA196	SFAC196					
SH 125i RA	2010-2014	SFA388	SFAC388					
SL 125 KIA	1976	H303						
SL 125 KID	1976-1980	H304						
ST 125 Dax	2022-2024	FA375						
TL 125	1976	H304						
TRX 125 J	1988	H303*						
VT 125 Shadow	1999-2008	FA197						
XL 125 K2	1978	H304						
XL 125 K3/K4	1979	H303						
XL 125 Paris-Dakar	1985	FA256						
XL 125 RF	1985-1986	FA092TT						
XL 125 S	1979-1982	H304						
XL 125 Varadero	2001-2016	FA197						
XLR 125 RW	1998-2001	FA185TT						
XR 125	2003-2008	FA185TT						
XRM 125 CFT125	2007-2011	SFA375						
XRM 125 CFT125	2012-2021	FA691						
ADV 150 AN_A	2021-2022	SFA693						
CBF 150 5	2005	FA715						
CBF 150 6	2006	FA715						
CBF 150 M Unicorn	2006-2007	FA715						
CBF 150 M Unicorn	2007-2010	FA715						
CBF 150 M5 Unicorn	2005	FA715						
CBF 150 MB Unicorn	2011-2012	FA715						
CBF 150 SH	2007-2010	FA744						
CBR 150 R	2000-2003	FA375						
CG 150 ESD Titan	2004-2005	FA054TT						
CG 150 KS/ES Titan	2004-2005	FA054TT						
CRF 150 F	2003-2020	FA185TT						
CRF 150 R	2003-2022	FA084TT						
CRF 150 RB Expert	2003-2022	FA084/3TT						
FES 150 Pantheon	1998-2002	SFA281						
FES 150 Pantheon	2003-2006	SFA281						
FES 150 S-Wing	2007-2013	SFA388						
FES 150 S-Wing	2007-2013	SFA388						
NES 150 Scooter	2001-2006	SFA323						
PCX 150	2018-2020	SFA693						
PCX 150 Hybrid	2019-2020	SFA723						
PCX 150 WW 150 EX2	2009-2015	SFA603						
PCX 150 WW-J	2017-2021	SFA723						
PES 150 PS150	2006-2010	SFA323						
PES 150 PS150	2008-2011	SFA323						
SES 150 Dylan	2002-2006	SFA323						
SH 150 1/3	2001-2003	SFA323						
SH 150i	2004-2008	SFA323						

Line #
1
2
3
4
5
6
7
8
9
10
11
12
13
14
15
16
17
18
19
20
21
22
23
24
25
26
27
28
29
30
31
32
33
34
35
36
37
38
39
40
41
42
43
44
45
46
47
48
49
50
51
52
53
54
55
56
57
58
59
60

R Suffix = High Durability Sintered Pad. HH Suffix = High Performance Sintered Pad. TT Suffix = Hard Wearing Off Road Pad. V Suffix = Semi Sintered Pad. G Suffix = Grooved Shoe.
D Suffix = Drilled Disc. X Suffix = Universal Left or Right Floating Disc. XC Suffix = Contoured Floating Disc. LS Suffix = Left/Steel Disc. RS = Right/Steel Disc.

*-2 Sets Required. † For Vee disc colours add RED, BLU, GRN, GLD, ORG suffix to part number.

⊗ - Also available as a Vintage Motorcycle Disc. ★ - EPFA available. ⚙ - Disc made of Billet steel. ♦ - CE solid discs for Enduro use.

10 Part numbers, prefixes, suffixes, photos and illustrations shown in this catalogue are trademarks and/or copyrights of EBC Brakes or the trademark owner A C Freeman Investments Ltd and use without express written permission of the owners is punishable by law.

JAPANESE Built Motorcycles

Line #	BRAKE DISC CHOICES - FRONT			DISC PAD CHOICES - REAR				BRAKE DISC CHOICES - REAR					
	SMX Oversize 320mm Disc Kit Front Left	Front disc bolt kit	Front Brake Line	FA, SFA, TT Pad or Brake Shoe	SFAC Carbon Scooter Pads	Speciality Pads - SXR / Vee / MXS	Sintered HH/R Pads/ Grooved Shoes	Standard Replacement Disc	Contour Disc Rear Fitment	Vee Discs CONTOUR	CX Extreme MX Race Disc / UTVX Disc	Rear disc bolt kit	Rear Brake Line
1				H352									
2				H352									
3				H352									
4				H352									
5				H352									
6				H352									
7				H352									
8				H352									
9				H352									
10				H352									
11				H352									
12				SFA415	SFAC415		SFA415HH	MD9139D		VR9139			
13				H352									
14				SFA415	SFAC415		SFA415HH	MD9139D		VR9139			
15				SFA415	SFAC415		SFA415HH	MD9139D		VR9139			
16				SFA415	SFAC415		SFA415HH	MD9139D		VR9139			
17				H303									
18				H304									
19				FA343			FA343HH	MD1184					
20				H304			H304G						
21				H306			H306G						
22				H318									
23				H304			H304G						
24				H304			H304G						
25				H303									
26				H304			H304G						
27				H304			H304G						
28				FA343			FA343HH	MD1151					
29				H304			H304G						
30				H304			H304G						
31				H304			H304G						
32				SFA343									
33				SFA415	SFAC415		SFA415HH						
34				H352									
35				H352									
36				H352									
37				H352									
38				H352									
39				FA629			FA629HH	MD1151					
40				FA629			FA629HH	MD1151					
41				FA343			FA343HH	MD1151					
42				H352									
43				H352									
44				H304			H304G						
45				FA346TT		MXS346	FA346R	MD6316D	MD6316C		MD6316CX		
46				FA346TT		MXS346	FA346R	MD6316D	MD6316C		MD6316CX		
47				H351									
48				SFA140	SFAC140		SFA140HH	MD9135D		VR9135			
49				SFA415	SFAC415		SFA415HH	MD9135D		VR9135			
50				SFA415	SFAC415		SFA415HH	MD9135D		VR9135			
51				H352									
52				H352									
53				H352									
54				H352									
55				H352									
56				H352									
57				H352									
58				H352									
59				H352									
60				H352									

REAR / ARRIÈRE / HINTEN / POSTERIOR / POSTERIORE

R Suffix = High Durability Sintered Pad. **HH** Suffix = High Performance Sintered Pad. **TT** Suffix = Hard Wearing Off Road Pad. **V** Suffix = Semi Sintered Pad. **G** Suffix = Grooved Shoe.
D Suffix = Drilled Disc. **X** Suffix = Universal Left or Right Floating Disc. **XC** Suffix = Contoured Floating Disc. **LS** Suffix = Left/Steel Disc. **RS** = Right/Steel Disc.

*-2 Sets Required. † For Vee disc colours add RED, BLU, GRN, GLD, ORG suffix to part number.

⊙ - Also available as a Vintage Motorcycle Disc. ★ - EPFA available. ⊕ Disc made of Billet steel. ◆ CE solid discs for Enduro use.

Part numbers, prefixes, suffixes, photos and illustrations shown in this catalogue are trademarks and/or copyrights of EBC Brakes or the trademark owner A C Freeman Investments Ltd and use without express written permission of the owners is punishable by law.

JAPANESE Built Motorcycles



HONDA Contd.



DISC PAD CHOICES - FRONT

BRAKE DISC CHOICES - FRONT

R Suffix = High Durability Sintered Pad. **HH** Suffix = High Performance Sintered Pad. **TT** Suffix = Hard Wearing Off Road Pad. **V** Suffix = Semi Sintered Pad. **G** Suffix = Grooved Shoe.
D Suffix = Drilled Disc. **X** Suffix = Universal Left or Right Floating Disc. **XC** Suffix = Contoured Floating Disc. **LS** Suffix = Left/Steel Disc. **RS** = Right/Steel Disc.

FRONT / AVANT / VORN / FRENTE / ANTERIORE

		FA, SFA, TT Pad or Brake Shoe	SFAC Carbon Scooter Pads	Speciality Pads - SXR / Vee / MXS	Sintered/ HH Pads/ Grooved Shoes	Standard Replacement Discs	Contour Disc Universal Left and Right	Vee-Discs Black † See note below	CX Extreme Disc / UTVX Disc	OSX Oversize 250mm or 280mm	Line #
SH 150i	2008	SFA323	SFAC323		SFA323HH	MD970D		VR970			1
SH 150i	2009-2012	SFA388	SFAC388		SFA388HH	MD922D		VR922			2
SH 150i	2009	SFA323	SFAC323		SFA323HH	MD922D		VR922			3
SH 150i Mode ADL	2014-2021	SFA196	SFAC196		SFA196HH	MD922D		VR922			4
SH 150i RA	2010-2014	SFA388	SFAC388		SFA388HH	MD922D		VR922			5
SH 150i S7/S8	2007-2008	SFA323	SFAC323		SFA323HH	MD970D		VR970			6
CB 175 All models	1967-1979	H306									7
CB 175 All models	1974-1976	H308									8
ATC 185 A/SB	1980-1981	H303			H303G						9
CD 185 T	1978	H312									10
XL 185 S	1980-1982	H304			H304G						11
CB 190 R	2016-2018	SFA721									12
ATC 200	1981-1984	H303			H303G						13
ATC 200	1983	FA084/2TT			FA084/2R	MD6059D					14
CB 200 B	1976-1979										15
CBX 200 Strada	1997-2001	SFA054	SFAC054		SFA054HH						16
CD 200 TA/TB	1979-1980	H312									17
CD 200 TA/TB	1979-1980	H312									18
CTX 200 A Bushlander	2004-2016	FA185TT		MXS185	FA185R	MD6001D			MD6001CX		19
MTX 200	1983-1984	H304			H304G						20
MTX 200	1985	FA092TT			FA092R	MD6087D					21
TA 200 TA Shadow	2002-2005	FA197			FA197HH	MD1030					22
TL 200 Colin Seeley	1976-1978	H304			H304G						23
TLR 200 D/E	1983-1985	H333			H333G						24
TLR 200 G/H	1986-1987	H304			H304G						25
TRX 200	1990-1993	H345*			H345G*						26
TRX 200 D	1991-1997	H345*			H345G*						27
TRX 200 L/M	1990-1991	H345*			H345G*						28
TRX 200 SX	1986-1987	H345*			H345G*						29
XL 200 L	1985	FA256			FA256HH						30
XL 200 R	1985	FA092TT			FA092R						31
XR 200	1980-1984	H304			H304G						32
XR 200 R	1981-2002	H304			H304G						33
TLM 220 R	1988-1992	FA624TT									34
FTR 223 MC34	2000-2002	FA092TT			FA092R						35
CRF 230 F AC	2004-2020	FA185TT		MXS185	FA185R	MD6001D			MD6001CX	OSX6001	36
CRF 230 L	2008-2010	FA185TT		MXS185	FA185R	MD6001D			MD6001CX	OSX6001	37
CRF 230 M Supermoto	2009-2010	FA185TT		MXS185	FA185R	MD6001D			MD6001CX	OSX6001	38
SL 230 Free Landsports MD33	1997-2001	FA185TT		MXS185	FA185R	MD6001D			MD6001CX		39
XL 230 MC36	2002	H352									40
ATC 250	1985-1988	H306			H306G						41
ATC 250 R	1985-1986	FA092TT			FA092R	MD6059D					42
ATC 250 RB	1981	FA054TT			FA054R	MD6060D					43
ATC 250 RC	1982	FA084TT		MXS084	FA084R	MD6060D					44
ATC 250 RD	1983-1984	FA084TT		MXS084	FA084R	MD6059D					45
AX-1 NX 250	1989-1994	FA125TT			FA125R	MD6001D			MD6001CX		46
C 250 SC	1981	H312									47
CB 250 F Hornet	1996-2001	FA187			FA187HH★	MD1144RS					48
CB 250 G5	1975	FA013		FA013V							49
CB 250 K	1973-1975	H314									50
CB 250 N	1978-1982	FA045				MD1036LS⊙					51
CB 250 RS	1981-1984	FA045									52
CB 250 T	1978	FA045									53
CB 250 Twister	2016-2023	FA388									54
CB 250 Two Fifty	1992-2005	FA196		FA196V	FA196HH	MD1089LS					55
CBF 250 4/6	2004-2006	FA197			FA197HH	MD1166RS					56
CBR 250 MC14	1986	FA121*			FA121HH*	MD1006*	MD1006C*				57
CBR 250 R	2011-2013	FA142			FA142HH	MD1180X	MD1180XC				58
CBR 250 R	2011-2013	FA388			FA388HH★	MD1180X	MD1180XC				59
CBR 250 R MC17	1987	FA121*			FA121HH*	MD1006*	MD1006C*				60

*-2 Sets Required. † For Vee disc colours add RED, BLU, GRN, GLD, ORG suffix to part number.

⊙ - Also available as a Vintage Motorcycle Disc. ★ - EPFA available. ⊕ Disc made of Billet steel. ◆ CE solid discs for Enduro use.

JAPANESE Built Motorcycles

BRAKE APPLICATIONS

Line #	BRAKE DISC CHOICES - FRONT			DISC PAD CHOICES - REAR				BRAKE DISC CHOICES - REAR					
	SMX Oversize 320mm Disc Kit Front Left	Front disc bolt kit	Front Brake Line	FA, SFA, TT Pad or Brake Shoe	SFAC Carbon Scooter Pads	Speciality Pads - SXR / Vee / MXS	Sintered HH/R Pads/ Grooved Shoes	Standard Replacement Disc	Contour Disc Rear Fitment	Vee Discs CONTOUR	CX Extreme MX Race Disc / UTVX Disc	Rear disc bolt kit	Rear Brake Line
1				H352									
2				SFA415	SFAC415		SFA415HH	MD9139D		VR9139			
3				H352									
4				SFA415	SFAC415		SFA415HH	MD9139D		VR9139			
5				SFA415	SFAC415		SFA415HH	MD9139D		VR9139			
6				H352									
7				H307									
8				H309									
9				H306			H306G						
10				H310			H310G						
11				H304			H304G						
12				FA629			FA629HH						
13				H306			H306G						
14							FA084/2R	MD6059D					
15				H309									
16				H352									
17				H310			H310G						
18				H310			H310G						
19				H304			H304G						
20				H304			H304G						
21			BLM1105-1F	H304			H304G						
22				FA197			FA197HH						
23				H304			H304G						
24				H333			H333G						
25				H333			H333G						
26				H306			H306G						
27				H306			H306G						
28				H306			H306G						
29				H306			H306G						
30				H303									
31				H303									
32				H304			H304G						
33				H304			H304G						
34				H304			H304G						
35				H352									
36	SMX6001			H304			H304G						
37	SMX6001		BLM6004-1F	FA131TT		MXS131	FA131R	MD6013D			MD6013CX		
38	SMX6001			FA131TT		MXS131	FA131R	MD6013D			MD6013CX		
39				FA131TT		MXS131	FA131R	MD6013D			MD6013CX		
40				H352									
41				H315			H315G						
42				FA092TT			FA092R	MD6007D					
43				H306			H306G						
44				H306			H306G						
45				FA084TT		MXS084	FA084R	MD6059D					
46				FA153				MD6198D					
47				H309									
48			BLM1010-1F	FA140			FA140HH	MD1004	MD1004C				
49				H315									
50				H315									
51				H313									
52				H309									
53				H313									
54				H352									
55				H310			H310G						
56				H352									
57				H309									
58				FA496			FA496HH	MD1004	MD1004C				
59			BLM1058-1F	FA496			FA496HH	MD1181					
60				FA140			FA140HH	MD1002					

REAR / ARRIÈRE / HINTEN / POSTERIOR / POSTERIORE

R Suffix = High Durability Sintered Pad. **HH** Suffix = High Performance Sintered Pad. **TT** Suffix = Hard Wearing Off Road Pad. **V** Suffix = Semi Sintered Pad. **G** Suffix = Grooved Shoe. **D** Suffix = Drilled Disc. **X** Suffix = Universal Left or Right Floating Disc. **XC** Suffix = Contoured Floating Disc. **LS** Suffix = Left/Steel Disc. **RS** = Right/Steel Disc.

*-2 Sets Required. † For Vee disc colours add RED, BLU, GRN, GLD, ORG suffix to part number.

⊙ - Also available as a Vintage Motorcycle Disc. ★ - EPFA available. Ⓢ Disc made of Billet steel. ◆ CE solid discs for Enduro use.

Part numbers, prefixes, suffixes, photos and illustrations shown in this catalogue are trademarks and/or copyrights of EBC Brakes or the trademark owner A C Freeman Investments Ltd and use without express written permission of the owners is punishable by law.

JAPANESE Built Motorcycles



HONDA Contd.



DISC PAD CHOICES - FRONT

BRAKE DISC CHOICES - FRONT

FA, SFA, TT Pad or Brake Shoe	SFAC Carbon Scooter Pads	Speciality Pads - SXR / Vee / MXS	Sintered/HH Pads/ Grooved Shoes	Standard Replacement Discs	Contour Disc Universal Left and Right	Vee-Discs Black † See note below	CX Extreme Disc / UTVX Disc	OSX Oversize 250mm or 280mm
FA142			FA142HH	MD1140RS				
FA142*			FA142HH*	MD1145LS				
				MD1145RS				
FA086			FA086HH	MD1030				
FA069			FA069HH	MD1090LS				
FA124/2			FA124/2HH	MD1090LS				
SFA323/2			SFA323/2HH	MD913D				
FA013		FA013V						
FA045				MD1036LS				
FA228			FA228HH	MD1030				
FA256			FA256HH	MD1030				
SFA196	SFAC196		SFA196HH	MD908D		VR908		
FA069/2				MD908D		VR908		
FA125TT			FA125R	MD6001D			MD6001CX	OSX6001E
FA185TT		MXS185	FA185R	MD6037D			MD6037CX	OSX6037
FA185TT		MXS185	FA185R	MD6037D			MD6037CX	OSX6037
FA185TT		MXS185	FA185R	MD6037D			MD6037CX	OSX6037
H327								
H328			H328G					
FA092TT			FA092R	MD6087D				
FA092TT			FA092R	MD6087D				
FA125TT			FA125R	MD6087D				
FA125TT			FA125R	MD6008D				
FA125TT			FA125R	MD6003D				
FA185TT		MXS185	FA185R	MD6037D			MD6037CX	OSX6037
H324								
FA185TT		MXS185	FA185R	MD6037D			MD6037CX	OSX6437
FA465TT		MXS465	FA465R				MD6372CX	
FA465TT		MXS465	FA465R					
FA185TT		MXS185	FA185R	MD6037D			MD6037CX	OSX6437
FA185TT		MXS185	FA185R				MD6037CX	OSX6437
FA185TT		MXS185	FA185R				MD6389CX	OSX6389
FA465TT		MXS465	FA465R		MD6409C			
FA465TT		MXS465	FA465R		MD6409C			
FA185TT		MXS185	FA185R				MD6389CX	OSX6389
FA185TT		MXS185	FA185R	MD6037D			MD6037CX	OSX6437
FA185TT		MXS185	FA185R				MD6037CX	OSX6437
FA185TT		MXS185	FA185R	MD6001D			MD6001CX	OSX6001
FA185TT		MXS185	FA185R	MD6001D			MD6001CX	OSX6001
FA125TT			FA125R	MD6087D				
FA125TT			FA125R	MD6001D			MD6001CX	OSX6001E
FA125TT			FA125R	MD6001D			MD6001CX	OSX6001E
SFA281	SFAC281		SFA281HH	MD922D		VR922		
SFA281	SFAC281		SFA281HH	MD922D		VR922		
FA040								
FA124/2			FA124/2HH					
FA069/2								
FA080/2								
FA069/2*				MD1006*	MD1006C*			
FA069/2*				MD1006*	MD1006C*			
			FA347HH*★	MD1003*				
FA187*			FA187HH*★	MD1117LS				
				MD1117RS				
FA187*			FA187HH*★	MD1117LS				
				MD1117RS				
FA187*			FA187HH*★	MD1117LS				
				MD1117RS				
FA187*			FA187HH*★	MD1117LS				
				MD1117RS				
FA187*			FA187HH*★	MD1117LS				
				MD1117RS				
FA187*			FA187HH*★	MD1117LS				
				MD1117RS				
FA187*			FA187HH*★	MD1117LS				
				MD1117RS				

Line #
1
2
3
4
5
6
7
8
9
10
11
12
13
14
15
16
17
18
19
20
21
22
23
24
25
26
27
28
29
30
31
32
33
34
35
36
37
38
39
40
41
42
43
44
45
46
47
48
49
50
51
52
53
54
55
56
57
58
59
60

FRONT / AVANT / VORN / FRENTE / ANTERIORE

R Suffix = High Durability Sintered Pad. HH Suffix = High Performance Sintered Pad. TT Suffix = Hard Wearing Off Road Pad. V Suffix = Semi Sintered Pad. G Suffix = Grooved Shoe.
D Suffix = Drilled Disc. X Suffix = Universal Left or Right Floating Disc. XC Suffix = Contoured Floating Disc. LS Suffix = Left/Steel Disc. RS = Right/Steel Disc.

*-2 Sets Required. † For Vee disc colours add RED, BLU, GRN, GLD, ORG suffix to part number.

⊗ - Also available as a Vintage Motorcycle Disc. ★ - EPFA available. ⚙ Disc made of Billet steel. ♦ CE solid discs for Enduro use.

JAPANESE Built Motorcycles

Line #	BRAKE DISC CHOICES - FRONT			DISC PAD CHOICES - REAR				BRAKE DISC CHOICES - REAR					
	SMX Oversize 320mm Disc Kit Front Left	Front disc bolt kit	Front Brake Line	FA, SFA, TT Pad or Brake Shoe	SFAC Carbon Scooter Pads	Speciality Pads - SXR / Vee / MXS	Sintered HH/R Pads/ Grooved Shoes	Standard Replacement Disc	Contour Disc Rear Fitment	Vee Discs CONTOUR	CX Extreme MX Race Disc / UTVX Disc	Rear disc bolt kit	Rear Brake Line
1			BLM1059-1F	FA140			FA140HH	MD1002					
2				FA140			FA140HH	MD1004	MD1004C				BLM1060-1R
3													
4				H304									
5			BLM1082-1F	H318									
6				H310			H310G						
7				H341									
8				FA496			FA496HH						
9				H313									
10				H318									
11				H318									
12				H350									
13				H350									
14				FA131TT		MXS131	FA131R	MD6002D					
15	SMX6037			FA131TT		MXS131	FA131R	MD6124D			MD6124CX		
16	SMX6037			FA346TT		MXS346	FA346R	MD6191D	MD6191C		MD6191CX♦		
17	SMX6037			FA346TT		MXS346	FA346R	MD6191D	MD6191C		MD6191CX♦		
18				H330			H330G						
19				H331			H331G						
20				H331			H331G						
21				H344			H344G						
22				FA131TT		MXS131	FA131R	MD6009D					
23				FA131TT		MXS131	FA131R	MD6002D					
24				FA131TT		MXS131	FA131R	MD6002D					
25	SMX6037			FA131TT		MXS131	FA131R	MD6002D					
26				H325									
27	SMX6437			FA346TT		MXS346	FA346R				MD6373CX		
28				FA629TT			FA629R				MD6373CX		
29				FA629TT			FA629R				MD6373CX		
30	SMX6437		BLM6005-1F	FA346TT		MXS346	FA346R	MD6191D	MD6191C		MD6191CX♦		
31	SMX6437		BLM6006-1F	FA346TT		MXS346	FA346R	MD6191D	MD6191C		MD6191CX♦		
32	SMX6389			FA346TT		MXS346	FA346R	MD6191D	MD6191C		MD6191CX♦		
33				FA629TT			FA629R				MD6373CX		
34				FA629TT			FA629R				MD6373CX		
35	SMX6389			FA346TT		MXS346	FA346R	MD6191D	MD6191C		MD6191CX♦		
36	SMX6437			FA346TT		MXS346	FA346R	MD6191D	MD6191C		MD6191CX♦		
37	SMX6437			FA346TT		MXS346	FA346R	MD6191D	MD6191C		MD6191CX♦		
38	SMX6001			FA131TT		MXS131	FA131R	MD6013D			MD6013CX		
39	SMX6001			FA131TT		MXS131	FA131R	MD6013D			MD6013CX		
40				FA153				MD6165D					
41				FA131TT		MXS131	FA131R	MD6013D			MD6013CX		
42				FA131TT		MXS131	FA131R	MD6013D			MD6013CX		
43				SFA140			SFA140HH	MD1004		VR1004			
44				H351									
45				H306			H306G						
46				H318									
47				H318									
48				H315									
49				FA069/3				MD1002					
50				FA069/3				MD1002					
51		DB102/6		FA151									
52													
53				FA140			FA140HH	MD1002					
54				FA140			FA140HH	MD1002					
55				FA140			FA140HH	MD1002					
56				FA140			FA140HH	MD1002					
57				FA140			FA140HH	MD1002					
58				FA140			FA140HH	MD1002					
59				FA140			FA140HH	MD1002					
60													

REAR / ARRIÈRE / HINTEN / POSTERIOR / POSTERIORE

R Suffix = High Durability Sintered Pad. HH Suffix = High Performance Sintered Pad. TT Suffix = Hard Wearing Off Road Pad. V Suffix = Semi Sintered Pad. G Suffix = Grooved Shoe.
D Suffix = Drilled Disc. X Suffix = Universal Left or Right Floating Disc. XC Suffix = Contoured Floating Disc. LS Suffix = Left/Steel Disc. RS = Right/Steel Disc.

BRAKE APPLICATIONS

*-2 Sets Required. † For Vee disc colours add RED, BLU, GRN, GLD, ORG suffix to part number.

⊙ - Also available as a Vintage Motorcycle Disc. ★ - EPFA available. ⚙ Disc made of Billet steel. ♦ CE solid discs for Enduro use.

Part numbers, prefixes, suffixes, photos and illustrations shown in this catalogue are trademarks and/or copyrights of EBC Brakes or the trademark owner A C Freeman Investments Ltd and use without express written permission of the owners is punishable by law.

JAPANESE Built Motorcycles



HONDA Contd.



DISC PAD CHOICES - FRONT

BRAKE DISC CHOICES - FRONT

R Suffix = High Durability Sintered Pad. **HH** Suffix = High Performance Sintered Pad. **TT** Suffix = Hard Wearing Off Road Pad. **V** Suffix = Semi Sintered Pad. **G** Suffix = Grooved Shoe.

D Suffix = Drilled Disc. **X** Suffix = Universal Left or Right Floating Disc. **XC** Suffix = Contoured Floating Disc. **LS** Suffix = Left/Steel Disc. **RS** = Right/Steel Disc.

FRONT / AVANT / VORN / FRENTE / ANTERIORE

Model	Year	Side	FA, SFA, TT Pad or Brake Shoe	SFAC Carbon Scooter Pads	Speciality Pads - SXR / Vee / MXS	Sintered/HH Pads/ Grooved Shoes	Standard Replacement Discs	Contour Disc Universal Left and Right	Vee-Discs Black † See note below	CX Extreme Disc / UTVX Disc	OSX Oversize 250mm or 280mm	Line #
		Right					MD1117RS					1
NSR 250 R MC28-110	1994	Left	FA187*			FA187HH*★	MD1117LS					2
		Right					MD1117RS					3
NSR 250 R9N MC21	1992	Left	FA187*			FA187HH*★	MD1117LS					4
		Right					MD1117RS					5
NSR 250 RG MC16-100	1986	Left	FA121*			FA121HH*	MD1129LS					6
		Right					MD1129RS					7
NSR 250 RR MC28	1994	Left	FA187*			FA187HH*★	MD1117LS					8
		Right					MD1117RS					9
NSS 250 Forza	2000-2004		SFA281	SFAC281		SFA281HH	MD922D		VR922			10
NSS 250 Forza EX	2005-2008		SFA388	SFAC388		SFA388HH	MD922D		VR922			11
NSS 250 Forza Z	2005-2013		SFA388	SFAC388		SFA388HH	MD922D		VR922			12
NSS 250 Forza Z	2005-2006		SFA388	SFAC388		SFA388HH	MD922D		VR922			13
NSS 250 Jazz MF04	2000-2004		SFA281	SFAC281		SFA281HH	MD922D		VR922			14
NSS 250 Reflex MF06	2000-2004		SFA281	SFAC281		SFA281HH	MD922D		VR922			15
NX 250 MD21	1987-1990		FA125TT			FA125R	MD6008D					16
NX 250 MD25	1990-1993		FA125TT			FA125R	MD6001D			MD6001CX		17
PS 250 Big Ruckus	2005-2006		SFA388	SFAC388		SFA388HH	MD922D		VR922			18
RTL 250 S WW 125 AK	1988-1989		FA624TT									19
RTL 250 SG	1986		H304			H304G						20
TL 250 K1	1979		H304			H304G						21
TLM 250 RJ	1989		H304			H304G						22
TLR 250 F	1985		H304			H304G						23
TRX 250 EX	2001-2008		FA084TT*		MXS084*	FA084R*	MD6006D*					24
TRX 250 EX	2009-2011		FA084TT*		MXS084*	FA084R*	MD6006D*					25
TRX 250 Fourtrax	1985-1987		H339*			H339G*						26
TRX 250 R Fourtrax	1986-1987		FA125TT*			FA125R*	MD6046D*					27
TRX 250 R Fourtrax	1988-1989		FA125TT*			FA125R*	MD6006D*					28
TRX 250 TE2 Re Con ES	2002-2014		H345*			H345G*						29
TRX 250 TM2 Re Con	1997-2014		H345*			H345G*						30
VT 250 FD	1983		FA080/2									31
VT 250 Magna	1995-1997		FA196			FA196HH	MD1021LS					32
VT 250 Spada/Castel	1988-1990		FA142			FA142HH						33
VTR 250 9	2009-2010		FA196			FA196HH						34
VTR 250 W MC33	1998-2007		FA196			FA196HH	MD1144RS					35
VTZ 250	1986-1988		FA124/2			FA124/2HH						36
XL 250 K	1978-1979		H311									37
XL 250 RC	1982		H330			H330G						38
XL 250 RE	1984-1985		H330			H330G						39
XL 250 RL	1990		FA125TT			FA125R	MD6001D			MD6001CX		40
XL 250 S	1978-1981		H312			H312G						41
XL 250 S	1982		H312			H312G						42
XLR 250 R	1991		FA185TT		MXS185	FA185R	MD6001D			MD6001CX		43
XLR 250 R MD22	1988-1990		FA092TT			FA092R	MD6087D					44
XR 250 3/5 MD30 Motard	2003-2005		FA185TT		MXS185	FA185R	MD6001D			MD6001CX		45
XR 250 III Y/3 Baja	2000-2003		FA185TT		MXS185	FA185R	MD6001D			MD6001CX		46
XR 250 R	1991-1995		FA125TT			FA125R	MD6001D			MD6001CX	OSX6001E	47
XR 250 R	1996-2004		FA185TT		MXS185	FA185R	MD6001D			MD6001CX	OSX6001	48
XR 250 RB/RC/RD	1981-1983		H327									49
XR 250 RE	1984-1985		FA092TT			FA092R	MD6001D			MD6001CX		50
XR 250 RG	1986-1987		FA092TT			FA092R	MD6087D					51
XR 250 RJ	1988-1989		FA125TT			FA125R	MD6087D					52
XR 250 RL	1990		FA125TT			FA125R	MD6087D					53
XR 250 S	1979-1980		H312			H312G						54
XR 250 Tornado	2005											55
XR 250 Y/3 MD30	2000-2003		FA185TT		MXS185	FA185R	MD6001D			MD6001CX		56
TLM 260	1989-1993		FA624TT									57
CB 300 F	2015-2017		FA196			FA196HH	MD1180X	MD1180XC				58
CB 300 FA	2018-2020		FA196			FA196HH	MD1180X	MD1180XC				59
CB 300 R	2018-2023					FA679HH	MD1210	MD1180XC				60

*-2 Sets Required. † For Vee disc colours add RED, BLU, GRN, GLD, ORG suffix to part number.

⊗ - Also available as a Vintage Motorcycle Disc. ★ - EPFA available. ⚙ - Disc made of Billet steel. ♦ - CE solid discs for Enduro use.

JAPANESE Built Motorcycles

Line #	BRAKE DISC CHOICES - FRONT			DISC PAD CHOICES - REAR				BRAKE DISC CHOICES - REAR					
	SMX Oversize 320mm Disc Kit Front Left	Front disc bolt kit	Front Brake Line	FA, SFA, TT Pad or Brake Shoe	SFAC Carbon Scooter Pads	Speciality Pads - SXR / Vee / MXS	Sintered HH/R Pads/ Grooved Shoes	Standard Replacement Disc	Contour Disc Rear Fitment	Vee Discs CONTOUR	CX Extreme MX Race Disc / UTVX Disc	Rear disc bolt kit	Rear Brake Line
1				FA140			FA140HH	MD1002					
2													
3				FA143				MD1111					
4													
5				FA140			FA140HH	MD1002					
6													
7				FA069/3			FA069/3HH	MD1002					
8													
9				FA143				MD1111					
10				SFA358			SFA358HH	MD1004		VR1004			
11				SFA415	SFAC415		SFA415HH	MD1020	MD1020C	VR1020			
12				SFA415	SFAC415		SFA415HH	MD1020	MD1020C	VR1020			
13				SFA415	SFAC415		SFA415HH	MD1020	MD1020C	VR1020			
14				SFA358			SFA358HH	MD1004		VR1004			
15				SFA358			SFA358HH	MD1004		VR1004			
16				H323			H323G						
17				H323			H323G						
18				H351									
19				FA153									
20				H304			H304G						
21				H304			H304G						
22				H304			H304G						
23				H304			H304G						
24				H340			H340G						
25				H340			H340G						
26				H315			H315G						
27				FA092TT			FA092R	MD6007D					
28				FA092TT			FA092R	MD6007D					
29				H340			H340G						
30				H340			H340G						
31			BLM1144-1F	H309									
32		DB102/6		H321									
33				FA140			FA140HH	MD1002					
34				FA140			FA140HH						
35				FA140			FA140HH	MD1004	MD1004C				
36				H309									
37				H312			H312G						
38				H323			H323G						
39				H323			H323G						
40				FA131TT		MXS131	FA131R	MD6013D			MD6013CX		
41				H323			H323G						
42				H318			H318G						
43				FA131TT		MXS131	FA131R	MD6013D			MD6013CX		
44				FA153				MD6013D			MD6013CX		
45				FA131TT		MXS131	FA131R	MD6013D			MD6013CX		
46				FA131TT		MXS131	FA131R	MD6013D			MD6013CX		
47				FA131TT		MXS131	FA131R	MD6013D			MD6013CX		
48	SMX6001			FA131TT		MXS131	FA131R	MD6013D			MD6013CX		
49				H323			H323G						
50				H304			H304G						
51				H304			H304G						
52				H304			H304G						
53				FA131TT		MXS131	FA131R	MD6013D			MD6013CX		
54				H323			H323G						
55				H352									
56				FA131TT		MXS131	FA131R	MD6013D			MD6013CX		
57				FA153									
58				FA496			FA496HH	MD1181	MD1181C				
59				FA496			FA496HH						
60				FA629			FA629HH						

REAR / ARRIÈRE / HINTEN / POSTERIOR / POSTERIORE

R Suffix = High Durability Sintered Pad. **HH** Suffix = High Performance Sintered Pad. **TT** Suffix = Hard Wearing Off Road Pad. **V** Suffix = Semi Sintered Pad. **G** Suffix = Grooved Shoe.
D Suffix = Drilled Disc. **X** Suffix = Universal Left or Right Floating Disc. **XC** Suffix = Contoured Floating Disc. **LS** Suffix = Left/Steel Disc. **RS** = Right/Steel Disc.

BRAKE APPLICATIONS

*-2 Sets Required. † For Vee disc colours add RED, BLU, GRN, GLD, ORG suffix to part number.

⊙ - Also available as a Vintage Motorcycle Disc. ★ - EPFA available. ⚙ Disc made of Billet steel. ♦ CE solid discs for Enduro use.

Part numbers, prefixes, suffixes, photos and illustrations shown in this catalogue are trademarks and/or copyrights of EBC Brakes or the trademark owner A C Freeman Investments Ltd and use without express written permission of the owners is punishable by law.

JAPANESE Built Motorcycles



HONDA Contd.



DISC PAD CHOICES - FRONT

BRAKE DISC CHOICES - FRONT

R Suffix = High Durability Sintered Pad. **HH** Suffix = High Performance Sintered Pad. **TT** Suffix = Hard Wearing Off Road Pad. **V** Suffix = Semi Sintered Pad. **G** Suffix = Grooved Shoe.
D Suffix = Drilled Disc. **X** Suffix = Universal Left or Right Floating Disc. **XC** Suffix = Contoured Floating Disc. **LS** Suffix = Left/Steel Disc. **RS** = Right/Steel Disc.

Model	Year	FA, SFA, TT Pad or Brake Shoe	SFAC Carbon Scooter Pads	Speciality Pads - SXR / Vee / MXS	Sintered/HH Pads/ Grooved Shoes	Standard Replacement Discs	Contour Disc Universal Left and Right	Vee-Disks Black † See note below	CX Extreme Disc / UTVX Disc	OSX Oversize 250mm or 280mm	Line #
CB 300 R10	2010	FA197			FA197HH	MD1166RS					1
CBR 300 R	2018-2020	FA196			FA196HH	MD1180X	MD1180XC				2
CBR 300 RA	2014-2022	FA196			FA196HH	MD1180X	MD1180XC				3
CBR 300 RAE	2014	FA142			FA142HH	MD1180X	MD1180XC				4
CMX 300 Rebel	2018-2020	FA196			FA196HH						5
CMX 300 Rebel	2018-2021	FA196			FA196HH						6
CRF 300 L	2020-2024	FA465TT		MXS465	FA465R				MD6372CX		7
CRF 300 Rally	2020-2024	FA465TT		MXS465	FA465R		MD6409C				8
NSS 300 AD Forza	2013-2017	SFA388	SFAC388		SFA388HH	MD9119D					9
NSS 300 D Forza	2013-2015	SFA388	SFAC388		SFA388HH	MD9119D					10
NSS 300 D Forza	2018-2021	SFA196	SFAC196		SFA196HH	MD9119D					11
SH 300i	2007-2012	SFA388	SFAC388		SFA388HH	MD9118D		VR9118			12
SH 300i	2014	SFA388	SFAC388		SFA388HH	MD9118D					13
SH 300i	2016-2022	SFA196	SFAC196		SFA196HH	MD9118D					14
SH 300i A	2007-2013	SFA388	SFAC388		SFA388HH	MD9118D		VR9118			15
SH 300i AR	2008-2010	SFA388	SFAC388		SFA388HH	MD9118D		VR9118			16
SH 300i R	2008-2010	SFA388	SFAC388		SFA388HH	MD9118D		VR9118			17
TRX 300 EX Fourtrax	1993-2008	FA084TT*		MXS084*	FA084R*	MD6006D*					18
TRX 300 Fourtrax 2WD	1988-2000	H345*			H345G*						19
TRX 300 Fourtrax 4WD	1988-2000	H347*			H347G*						20
TRX 300 X	2009	FA084TT*		MXS084*	FA084R*	MD6006D*					21
XR 300 R10	2010	FA185TT		MXS185	FA185R	MD6010D			MD6010CX		22
ADV 350	2021-2024	SFA196	SFAC196		SFA196HH	MD9119D					23
CB 350 K4	1974	H314									24
CB 350 SG/SJ	Left 1986-1990 Right 1986-1990	FA121*			FA121HH*	MD1005LS MD1005RS					25 26
FL 350 R Odyssey	1985-1987	H339*			H339G*						27
NSS 350 D Forza	2021-2024	SFA196	SFAC196		SFA196HH	MD9119D					28
SH 350i	2020-2024	SFA196	SFAC196		SFA196HH	MD9118D					29
SL 350 K0	1969-1970	H314									30
SL 350 K1/K2	1970-1973	H308									31
TRX 350 Foutrax Foreman	1986-1993	H342*			H342G*						32
TRX 350 Rancher ES	2000-2003	H347S*			H347SG*						33
XR 350 RD	1983	H331			H331G						34
XR 350 RE	1984	FA092TT			FA092R	MD6087D					35
CB 360 G5	1975	FA013									36
CJ 360 T	1978	FA013									37
CB 400 A Honda-Matic	1979	FA045									38
CB 400 F	1975-1979	FA013									39
CB 400 F CB 1	1989-1990	FA142			FA142HH	MD1038RS					40
CB 400 Four NC36	1997-1998	FA142*			FA142HH*						41
CB 400 N	1978-1981	FA030*									42
CB 400 NC	1982	FA069/2*									43
CB 400 NC39 - Superfour Bol D'Or	1999-2003				FA296HH*★						44
CB 400 NC39 - Superfour Bol D'Or	2004-2005				FA296HH*★						45
CB 400 SF Superfour NC31	1992-1995	FA142*			FA142HH*	MD1132*	MD1132C*				46
CB 400 SF2 Superfour NC31	1996-1997	FA187*			FA187HH*★	MD1132*	MD1132C*				47
CB 400 SF3V Superfour NC31	1997	FA244*			FA244HH*★	MD1132*	MD1132C*				48
CB 400 SS SS2-NC41	2001-2005	FA196			FA196HH						49
CB 400 T	1978	FA045									50
CBR 400 RG NC23 100	1986	FA121*			FA121HH*	MD1001*					51
CBR 400 RH-YA NC23 101	1986	FA121*			FA121HH*	MD1001*					52
CBR 400 RR NC23 Tri-Arm	1987-1989	FA142*		FA142V*	FA142HH*	MD1003X*	MD1003XC*	VR1003BLK*†			53
CBR 400 RR NC29 Gull Arm	1990-1994	FA142*		FA142V*	FA142HH*	MD1003X*	MD1003XC*	VR1003BLK*†			54
CL 400 NC38	1998-2003	FA196		FA196V	FA196HH						55
FJS 400 Silverwing	2006-2008	SFA281	SFAC281		SFA281HH	MD1006	MD1006C				56
FL 400 R Pilot	1989-1993	H339*			H339G*						57
NS 400 RF/RG	1985-1987	FA069*			FA069HH*	MD1006*	MD1006C*				58
NV 400 CJ/CK Steed	1992-1993	FA124/2			FA124/2HH						59
NV 400 CS/CV Steed	1995-1997	FA142		FA142V	FA142HH						60

FRONT / AVANT / VORN / VORN / FRENTE / ANTERIORE

*-2 Sets Required. † For Vee disc colours add RED, BLU, GRN, GLD, ORG suffix to part number.

⊗ - Also available as a Vintage Motorcycle Disc. ★ - EPFA available. ⚙ Disc made of Billet steel. ♦ CE solid discs for Enduro use.

JAPANESE Built Motorcycles

BRAKE APPLICATIONS

Line #	BRAKE DISC CHOICES - FRONT			DISC PAD CHOICES - REAR				BRAKE DISC CHOICES - REAR					
	SMX Oversize 320mm Disc Kit Front Left	Front disc bolt kit	Front Brake Line	FA, SFA, TT Pad or Brake Shoe	SFAC Carbon Scooter Pads	Speciality Pads - SXR / Vee / MXS	Sintered HH/R Pads/ Grooved Shoes	Standard Replacement Disc	Contour Disc Rear Fitment	Vee Discs CONTOUR	CX Extreme MX Race Disc / UTVX Disc	Rear disc bolt kit	Rear Brake Line
1				H352									
2				FA496			FA496HH	MD1181	MD1181C				
3				FA496			FA496HH	MD1181	MD1181C				
4				FA496			FA496HH	MD1181					
5				FA496			FA496HH	MD1156					
6				FA496			FA496HH	MD1156					
7				FA629TT			FA629R				MD6373CX		
8				FA629TT			FA629R				MD6373CX		
9				SFA415	SFAC415		SFA415HH	MD9139D					
10				SFA415	SFAC415		SFA415HH	MD9139D					
11				SFA415	SFAC415		SFA415HH	MD1149	MD1149C				
12				SFA415	SFAC415		SFA415HH	MD9119D		VR9119			
13				SFA415	SFAC415		SFA415HH						
14				SFA415	SFAC415		SFA415HH	MD9119D					
15				SFA415	SFAC415		SFA415HH	MD9119D		VR9119			
16				SFA415	SFAC415		SFA415HH	MD9119D		VR9119			
17				SFA415	SFAC415		SFA415HH	MD9119D		VR9119			
18				FA084TT		MXS084	FA084R	MD6064D					
19				H315			H315G						
20				H315			H315G						
21				FA084TT		MXS084	FA084R	MD6064D					
22	SMX6010			FA131TT		MXS131	FA131R	MD6013D			MD6013CX		
23				SFA415	SFAC415		SFA415HH	MD1149	MD1149C				
24				H315									
25				H313									
26													
27							FA111R						
28				SFA415	SFAC415		SFA415HH	MD1149	MD1149C				
29				SFA415	SFAC415		SFA415HH	MD9119D					
30				H315									
31				H309									
32				H343			H343G						
33				H351			H351G						
34				H304			H304G						
35				H304			H304G						
36				H315									
37				H315									
38				H313									
39				H315									
40				FA140			FA140HH	MD1020					
41				FA140			FA140HH	MD1020					
42				H313									
43				H313									
44				FA254			FA254HH★						
45				FA174			FA174HH						
46				FA140			FA140HH	MD1020	MD1020C	VR1020			
47				FA140			FA140HH	MD1020	MD1020C	VR1020			
48				FA140			FA140HH	MD1020	MD1020C	VR1020			
49				H351									
50				H313									
51		DB102/6		FA069/3			FA069/3HH	MD1002					
52		DB102/6		FA069/3			FA069/3HH	MD1002					
53		DB102/6		FA140			FA140HH	MD1002					
54		DB102/6	BLM1062-3F	FA140			FA140HH	MD1004	MD1004C	VR1004			
55				H351									
56				SFA196			SFA196HH	MD1149	MD1149C				
57							FA111R	MD6144D					
58				FA069			FA069HH	MD1002					
59				H321									
60				H321									

REAR / ARRIÈRE / HINTEN / POSTERIOR / POSTERIORE

R Suffix = High Durability Sintered Pad. **HH** Suffix = High Performance Sintered Pad. **TT** Suffix = Hard Wearing Off Road Pad. **V** Suffix = Semi Sintered Pad. **G** Suffix = Grooved Shoe. **D** Suffix = Drilled Disc. **X** Suffix = Universal Left or Right Floating Disc. **XC** Suffix = Contoured Floating Disc. **LS** Suffix = Left/Steel Disc. **RS** = Right/Steel Disc.

*-2 Sets Required. † For Vee disc colours add RED, BLU, GRN, GLD, ORG suffix to part number.

⊙ - Also available as a Vintage Motorcycle Disc. ★ - EPFA available. ⚙ Disc made of Billet steel. ♦ CE solid discs for Enduro use.

Part numbers, prefixes, suffixes, photos and illustrations shown in this catalogue are trademarks and/or copyrights of EBC Brakes or the trademark owner A C Freeman Investments Ltd and use without express written permission of the owners is punishable by law.

JAPANESE Built Motorcycles



HONDA Contd.



DISC PAD CHOICES - FRONT

BRAKE DISC CHOICES - FRONT

R Suffix = High Durability Sintered Pad. **HH** Suffix = High Performance Sintered Pad. **TT** Suffix = Hard Wearing Off Road Pad. **V** Suffix = Semi Sintered Pad. **G** Suffix = Grooved Shoe.
D Suffix = Drilled Disc. **X** Suffix = Universal Left or Right Floating Disc. **XC** Suffix = Contoured Floating Disc. **LS** Suffix = Left/Steel Disc. **RS** = Right/Steel Disc.

FRONT / AVANT / VORN / VORN / FRENTE / ANTERIORE

		FA, SFA, TT Pad or Brake Shoe	SFAC Carbon Scooter Pads	Speciality Pads - SXR / Vee / MXS	Sintered/HH Pads/ Grooved Shoes	Standard Replacement Discs	Contour Disc Universal Left and Right	Vee-Discs Black † See note below	CX Extreme Disc / UTVX Disc	OSX Oversize 250mm or 280mm	Line #
NV 400 NC40 Shadow Slasher	2000-2002	FA196		FA196V	FA196HH	MD1159					1
NX 4 Falcon	2002-2005	FA185TT		MXS185	FA185R						2
RVF 400 RR NC35	1994-1996	FA187*			FA187HH*★	MD1003X*	MD1003XC*	VR1003BLK*†			3
SW-T 400 FJS 400 A9/AB	2009-2016	SFA388	SFAC388		SFA388HH	MD1172LS					4
SW-T 400 FJS 400 D9	2009	SFA388	SFAC388		SFA388HH	MD1172LS					5
TRX 400 EX Fourtrax	1999-2008	FA084TT*		MXS084*	FA084R*	MD6006D*					6
TRX 400 FA Fourtrax Rancher AT	2004-2007	H347*			H347G*						7
TRX 400 FGA Fourtrax Rancher	2004-2007	H347*			H347G*						8
TRX 400 FW Fourtrax Foreman	1995-2000	H347*			H347G*						9
TRX 400 X	2009	FA084TT*		MXS084*	FA084R*	MD6006D*					10
VF 400 FD	1983-1985	FA080/2									11
VFR 400 NC21	1985-1987	FA121*			FA121HH*	MD1006*	MD1006C*				12
VFR 400 R NC24	1987-1988	FA121*			FA121HH*	MD1001*					13
VFR 400 R NC30	1989-1992	FA187*			FA187HH*★	MD1003X*	MD1003XC*	VR1003BLK*†			14
VFR 400 R NC30	1990-1991	FA187*			FA187HH*★	MD1003X*	MD1003XC*	VR1003BLK*†			15
VRX 400 T NC33	1996	FA196		FA196V	FA196HH						16
XL 400 R	1982	H332			H332G						17
XR 400 M Supermotard	2006-2008	FA142		FA142V	FA142HH						18
XR 400 R	1996-2004	FA185TT		MXS185	FA185R	MD6001D			MD6001CX	OSX6001	19
TRX 420 Fourtrax	2009-2011	FA084TT*		MXS084*	FA084R*	MD6302D*					20
TRX 420 Fourtrax	2009-2011	FA084TT*		MXS084*	FA084R*	MD6302D*					21
TRX 420 Fourtrax ES	2007-2009	FA084TT*		MXS084*	FA084R*	MD6302D*					22
TRX 420 Fourtrax Rancher	2014-2023	FA084TT*		MXS084*	FA084R*	MD6302D*					23
TRX 420 FPA Fourtrax Rancher	2009-2011	FA084TT*		MXS084*	FA084R*	MD6302D*					24
TRX 420 TE Fourtrax Rancher	2007-2011	FA084TT*		MXS084*	FA084R*	MD6302D*					25
TRX 420 TE1 Fourtrax ES	2007-2011	FA084TT*		MXS084*	FA084R*	MD6302D*					26
TRX 420 TM Fourtrax Rancher	2007-2011	FA084TT*		MXS084*	FA084R*	MD6302D*					27
CB 450 DX-K	1989-1992	FA122*									28
CB 450 SG/SJ	Left 1986-1988	FA121*			FA121HH*	MD1005LS					29
	Right 1986-1988					MD1005RS					30
CMX 450 Rebel	1987-1988	FA069			FA069HH	MD1041LS					31
CR 450 RB	1981	H327									32
CRF 450 L	2018-2020	FA185TT		MXS185	FA185R				MD6389CX	OSX6389	33
CRF 450 R	2002-2003	FA185TT		MXS185	FA185R	MD6037D			MD6037CX	OSX6437	34
CRF 450 R	2004-2014	FA185TT		MXS185	FA185R	MD6037D			MD6037CX	OSX6437	35
CRF 450 R	2015-2024	FA185TT		MXS185	FA185R				MD6389CX	OSX6389	36
CRF 450 RL	2020-2024	FA185TT		MXS185	FA185R				MD6389CX	OSX6389	37
CRF 450 R-S	2022-2024	FA185TT		MXS185	FA185R				MD6389CX	OSX6389	38
CRF 450 RWE	2019-2024	FA185TT		MXS185	FA185R				MD6389CX	OSX6389	39
CRF 450 RX	2019-2024	FA185TT		MXS185	FA185R				MD6389CX	OSX6389	40
CRF 450 X	2005-2007	FA185TT		MXS185	FA185R	MD6037D			MD6037CX	OSX6437	41
CRF 450 X	2008-2016	FA185TT		MXS185	FA185R	MD6037D			MD6037CX	OSX6437	42
CRF 450 X	2017-2020	FA185TT		MXS185	FA185R				MD6389CX	OSX6389	43
CRF 450 XRL	2014-2016	FA185TT		MXS185	FA185R	MD6037D			MD6037CX	OSX6437	44
TRX 450	2004-2009	FA185TT*		MXS185*	FA185R*	MD6006D*					45
TRX 450 Fourtrax Foreman ES	1998-2001	H347S*			H347SG*						46
CR 480 RC	1982	H327									47
CR 480 RD	1983	H328			H328G						48
CB 500 F	2013-2020	FA196			FA196HH		MD1200C				49
CB 500 F	2021-2023				FA759HH*	MD1210*					50
CB 500 F Four	1975-1977	FA013									51
CB 500 FA	2013-2021	FA196			FA196HH		MD1200C				52
CB 500 Hornet	2024				FA759HH*	MD1210*					53
CB 500 R/T Twin	1994-1996	FA196			FA196HH	MD1008					54
CB 500 T Twin	1975-1977	FA013									55
CB 500 Twin	1997-2003	FA209/2			FA209/2HH★	MD1008					56
CB 500 X	2013-2018	FA196			FA196HH		MD1200C				57
CB 500 X	2019-2021	FA196			FA196HH		TBC				58
CB 500 X	2021-2023	FA196*			FA196HH*		TBC*				59
CB 500 XA	2013-2018	FA196			FA196HH		MD1200C				60

*-2 Sets Required. † For Vee disc colours add RED, BLU, GRN, GLD, ORG suffix to part number.

⊗ - Also available as a Vintage Motorcycle Disc. ★ - EPFA available. ⚙ Disc made of Billet steel. ♦ CE solid discs for Enduro use.

JAPANESE Built Motorcycles

BRAKE APPLICATIONS

Line #	BRAKE DISC CHOICES - FRONT			DISC PAD CHOICES - REAR				BRAKE DISC CHOICES - REAR					
	SMX Oversize 320mm Disc Kit Front Left	Front disc bolt kit	Front Brake Line	FA, SFA, TT Pad or Brake Shoe	SFAC Carbon Scooter Pads	Speciality Pads - SXR / Vee / MXS	Sintered HH/R Pads/ Grooved Shoes	Standard Replacement Disc	Contour Disc Rear Fitment	Vee Discs CONTOUR	CX Extreme MX Race Disc / UTVX Disc	Rear disc bolt kit	Rear Brake Line
1				H343									
2				FA131TT		MXS131	FA131R	MD1004					
3		DB102/6	BLM1120-3F	FA143				MD1111					
4				SFA196	SFAC196		SFA196HH	MD1149					
5				SFA196	SFAC196		SFA196HH	MD1149					
6				FA084TT			FA084R	MD6164D					
7				H351			H351G						
8				H351			H351G						
9				H351			H351G						
10				FA084TT			FA084R	MD6164D					
11			BLM1130-1F	FA080/2									
12			BLM1133-3F	FA069/3			FA069/3HH	MD1002					
13		DB102/6		FA140			FA140HH	MD1022					
14		DB102/6		FA143				MD1111					
15		DB102/6		FA143				MD1111					
16				FA174			FA174HH						
17				H318			H318G						
18				FA131TT		MXS131	FA131R						
19	SMX6001		BLM6009-1F	FA131TT		MXS131	FA131R	MD6013D			MD6013CX		
20				FA373TT			FA373R	MD6217D					
21				H351			H351G						
22				H351			H351G						
23				FA373TT			FA373R	MD1195					
24				FA373TT			FA373R	MD6217D					
25				H351			H351G						
26				H351			H351G						
27				H351			H351G						
28			BLM1019-3F	FA122									
29				H313									
30													
31				H313									
32				H319			H319G						
33	SMX6389			FA346TT		MXS346	FA346R	MD6191D	MD6191C		MD6191CX♦		
34	SMX6437			FA346TT		MXS346	FA346R	MD6191D	MD6191C		MD6191CX♦		
35	SMX6437			FA346TT		MXS346	FA346R	MD6191D	MD6191C		MD6191CX♦		
36	SMX6389			FA346TT		MXS346	FA346R	MD6191D	MD6191C		MD6191CX♦		
37	SMX6389			FA346TT		MXS346	FA346R	MD6191D	MD6191C		MD6191CX♦		
38	SMX6389			FA346TT		MXS346	FA346R	MD6191D	MD6191C		MD6191CX♦		
39	SMX6389			FA346TT		MXS346	FA346R	MD6191D	MD6191C		MD6191CX♦		
40	SMX6389			FA346TT		MXS346	FA346R	MD6191D	MD6191C		MD6191CX♦		
41	SMX6437			FA346TT		MXS346	FA346R	MD6191D	MD6191C		MD6191CX♦		
42	SMX6437			FA346TT		MXS346	FA346R	MD6191D	MD6191C		MD6191CX♦		
43	SMX6389			FA346TT		MXS346	FA346R	MD6191D	MD6191C		MD6191CX♦		
44	SMX6437			FA346TT		MXS346	FA346R	MD6191D	MD6191C		MD6191CX♦		
45				FA373TT			FA373R	MD6233D					
46				H351			H351G						
47				H330			H330G						
48				H331			H331G						
49				FA140			FA140HH	MD1156					
50				FA140			FA140HH	TBC					
51				H316									
52				FA140			FA140HH	MD1156					
53							FA140HH						
54				H321									
55				H316									
56			BLM1024-1F	FA213			FA213HH★	MD1020					
57				FA140			FA140HH	MD1156					
58				FA140			FA140HH	MD1156					
59				FA140			FA140HH	MD1156					
60				FA140			FA140HH	MD1156					

REAR / ARRIÈRE / HINTEN / POSTERIOR / POSTERIORE

R Suffix = High Durability Sintered Pad. **HH** Suffix = High Performance Sintered Pad. **TT** Suffix = Hard Wearing Off Road Pad. **V** Suffix = Semi Sintered Pad. **G** Suffix = Grooved Shoe. **D** Suffix = Drilled Disc. **X** Suffix = Universal Left or Right Floating Disc. **XC** Suffix = Contoured Floating Disc. **LS** Suffix = Left/Steel Disc. **RS** = Right/Steel Disc.

*-2 Sets Required. † For Vee disc colours add RED, BLU, GRN, GLD, ORG suffix to part number.

⊙ - Also available as a Vintage Motorcycle Disc. ★ - EPFA available. Ⓢ Disc made of Billet steel. ♦ CE solid discs for Enduro use.

Part numbers, prefixes, suffixes, photos and illustrations shown in this catalogue are trademarks and/or copyrights of EBC Brakes or the trademark owner A C Freeman Investments Ltd and use without express written permission of the owners is punishable by law.

JAPANESE Built Motorcycles



HONDA Contd.



DISC PAD CHOICES - FRONT

BRAKE DISC CHOICES - FRONT

FRONT / AVANT / VORN / FRENTE / ANTERIORE

FA, SFA, TT Pad or Brake Shoe	SFAC Carbon Scooter Pads	Speciality Pads - SXR / Vee / MXS	Sintered/HH Pads/ Grooved Shoes	Standard Replacement Discs	Contour Disc Universal Left and Right	Vee-Discs Black † See note below	CX Extreme Disc / UTVX Disc	OSX Oversize 250mm or 280mm
CB 500 XA			FA196HH		TBC			
CBF 500			FA196HH	MD1155RS				
CBF 500 A			FA388	FA388HH★	MD1155RS			
CBR 500 Four			FA121*	FA121HH*	MD1001*			
CBR 500 R			FA196	FA196HH		MD1200C		
CBR 500 R			FA759HH*	MD1210*				
CBR 500 RA			FA196	FA196HH		MD1200C		
CL 500			FA196	FA196HH				
CMX 500 Rebel			FA196	FA196HH				
CMX 500 Rebel			FA196	FA196HH				
CR 500 R			FA125TT	FA125R	MD6001D		MD6001CX	OSX6001E
CR 500 R		MXS185	FA185TT	FA185R	MD6037D		MD6037CX	OSX6037
CR 500 RE			FA092TT	FA092R	MD6087D			
CR 500 RG			FA092TT	FA092R	MD6087D			
CR 500 RH			FA125TT	FA125R	MD6087D			
CR 500 RK			FA125TT	FA125R	MD6008D			
CR 500 RL			FA125TT	FA125R	MD6003D		MD6001CX	OSX6001E
CX 500 CA			FA029*					
CX 500 CC			FA069*	FA069HH*				
CX 500 EC	Left		FA069*	FA069HH*	MD1036LS⊗			
	Right				MD1036RS			
CX 500 TCC Turbo			FA069*	FA069HH*				
FT 500 C			FA069	FA069HH	MD1131LS			
GL 500 DC			FA069*	FA069HH*				
NX 500			FA196*	FA196HH*				
NX 500 Dominator			FA124/2	FA124/2HH	MD6010D		MD6010CX	
NX 500 Dominator			FA124/2	FA124/2HH	MD6010D		MD6010CX	
NX 500 Dominator			FA209/2	FA209/2HH	MD6010D		MD6010CX	
SXS 500 M2 Pioneer			FA712TT*	FA712R*	MD6341D*			
TRX 500 Foreman Fourtrax		MXS084*	FA084TT*	FA084R*	MD6302D*			
TRX 500 Fourtrax Foreman			H347*	H347G*				
TRX 500 Fourtrax Foreman			FA410TT*	FA410R*	MD6251D*			
VF 500 F			FA069*	FA069HH*	MD1006*	MD1006C*	VR1006*	
VT 500			FA080/2					
XBR 500			FA069	FA069HH	MD1001			
XL 500 R			H332	H332G				
XL 500 S			H312	H312G				
XL 500 S			H325					
XR 500 R			H327					
XR 500 R			FA092TT	FA092R	MD6001D		MD6001CX	
XR 500 S			H324					
TRX 520 FE2 Foreman			FA084TT*	FA084R*	MD6387D*			
TRX 520 FM1 Foreman			FA084TT*	FA084R*	MD6387D*			
TRX 520 FM2 Foreman			FA084TT*	FA084R*	MD6387D*			
TRX 520 Foreman Rubicon All Models			FA084TT*	FA084R*	MD6387D*			
CB 550 F			FA013					
CBX 550 FC			FA080*					
CB 600 F			FA226*	FA226HH*★	MD1168X*	MD1168XC*		
CB 600 F Hornet			FA226*	FA226HH*★	MD1132*			
CB 600 F Hornet			FA226*	FA226HH*★	MD1139*			
CB 600 F2 Hornet S			FA226*	FA226HH*★	MD1139*			
CB 600 FA Hornet			FA388*	FA388HH*★	MD1168X*	MD1168XC*		
CBF 600 N			FA226*	FA226HH*★	MD1008*			
CBF 600 N			FA226*	FA226HH*★	MD1160*			
CBF 600 NA			FA226*	FA226HH*★	MD1008*			
CBF 600 NA			FA388*	FA388HH*★	MD1160*			
CBF 600 S			FA226*	FA226HH*★	MD1008*			
CBF 600 S			FA226*	FA226HH*★	MD1160*			
CBF 600 SA			FA226*	FA226HH*★	MD1008*			
CBF 600 SA			FA388*	FA388HH*★	MD1160*			

Line #

1
2
3
4
5
6
7
8
9
10
11
12
13
14
15
16
17
18
19
20
21
22
23
24
25
26
27
28
29
30
31
32
33
34
35
36
37
38
39
40
41
42
43
44
45
46
47
48
49
50
51
52
53
54
55
56
57
58
59
60

R Suffix = High Durability Sintered Pad. HH Suffix = High Performance Sintered Pad. TT Suffix = Hard Wearing Off Road Pad. V Suffix = Semi Sintered Pad. G Suffix = Grooved Shoe.
D Suffix = Drilled Disc. X Suffix = Universal Left or Right Floating Disc. XC Suffix = Contoured Floating Disc. LS Suffix = Left/Steel Disc. RS = Right/Steel Disc.

*-2 Sets Required. † For Vee disc colours add RED, BLU, GRN, GLD, ORG suffix to part number.

⊗ - Also available as a Vintage Motorcycle Disc. ★ - EPFA available. ⊕ Disc made of Billet steel. ◆ CE solid discs for Enduro use.

JAPANESE Built Motorcycles

Line #	BRAKE DISC CHOICES - FRONT			DISC PAD CHOICES - REAR				BRAKE DISC CHOICES - REAR					
	SMX Oversize 320mm Disc Kit Front Left	Front disc bolt kit	Front Brake Line	FA, SFA, TT Pad or Brake Shoe	SFAC Carbon Scooter Pads	Speciality Pads - SXR / Vee / MXS	Sintered HH/R Pads/ Grooved Shoes	Standard Replacement Disc	Contour Disc Rear Fitment	Vee Discs CONTOUR	CX Extreme MX Race Disc / UTVX Disc	Rear disc bolt kit	Rear Brake Line
1				FA140			FA140HH	MD1156					
2				FA174			FA174HH	MD1156					
3			BLM1048-1F	FA174			FA174HH	MD1156					
4		DB102/6		FA069/3			FA069/3HH	MD1002					
5				FA140			FA140HH	MD1156					
6				FA140			FA140HH	TBC					
7				FA140			FA140HH	MD1156					
8				H304									
9				FA496			FA496HH	MD1156					
10				FA496			FA496HH	MD1156					
11				FA131TT		MXS131	FA131R	MD6002D					
12	SMX6037			FA131TT		MXS131	FA131R	MD6002D					
13				H331			H331G						
14				H344			H344G						
15				FA131TT		MXS131	FA131R	MD6009D					
16				FA131TT		MXS131	FA131R	MD6002D					
17				FA131TT		MXS131	FA131R	MD6002D					
18				H321									
19			BLM1088-3F	H321									
20				FA069			FA069HH						BLM1089-1R
21													
22			BLM1090-3F	FA069			FA069HH						
23			BLM1095-1F	FA069			FA069HH	MD1048					
24			BLM1102-3F	H321									
25				FA140			FA140HH	MD1156					
26	SMX6010			FA140			FA140HH	MD6013D			MD6013CX		
27	SMX6010			FA140			FA140HH	MD6099D					
28	SMX6010			FA213			FA213HH	MD6099D					
29				FA714TT			FA714R	MD6217D					
30				FA373TT			FA373R	MD1195					
31				H343			H343G						
32				H343			H343G						
33			BLM1131-3F	FA069			FA069HH	MD1006	MD1006C	VR1004			
34			BLM1145-1F	H313									
35		DB102/6	BLM1151-1F	H340									
36				H318			H318G						
37				H318			H318G						
38				H309									
39				H318			H318G						
40				H304			H304G						
41				H318			H318G						
42				H351			H351G						
43				H351			H351G						
44				H351			H351G						
45				FA373TT			FA373R	MD6217D					
46				H316									
47			BLM1083-3F	FA080/2									
48		DB102/6		FA436			FA436HH	MD1156					
49			BLM1029-3F	FA174			FA174HH	MD1004	MD1004C				
50		DB102/6	BLM1029-3F	FA174			FA174HH	MD1004	MD1004C				
51		DB102/6		FA174			FA174HH	MD1004	MD1004C				
52		DB102/6		FA174			FA174HH	MD1156					
53		DB102/6		FA174			FA174HH	MD1156					
54		DB102/6		FA174			FA174HH	MD1156					
55		DB102/6		FA174			FA174HH	MD1156					
56		DB102/6		FA174			FA174HH	MD1156					
57		DB102/6		FA174			FA174HH	MD1156					
58		DB102/6		FA174			FA174HH	MD1156					
59		DB102/6	BLM1049-3F	FA174			FA174HH	MD1156					
60		DB102/6		FA174			FA174HH	MD1156					

REAR / ARRIÈRE / HINTEN / POSTERIOR / POSTERIORE

R Suffix = High Durability Sintered Pad. **HH** Suffix = High Performance Sintered Pad. **TT** Suffix = Hard Wearing Off Road Pad. **V** Suffix = Semi Sintered Pad. **G** Suffix = Grooved Shoe.
D Suffix = Drilled Disc. **X** Suffix = Universal Left or Right Floating Disc. **XC** Suffix = Contoured Floating Disc. **LS** Suffix = Left/Steel Disc. **RS** = Right/Steel Disc.

BRAKE APPLICATIONS

*-2 Sets Required. † For Vee disc colours add RED, BLU, GRN, GLD, ORG suffix to part number.

⊙ - Also available as a Vintage Motorcycle Disc. ★ - EPFA available. Ⓢ Disc made of Billet steel. ◆ CE solid discs for Enduro use.

Part numbers, prefixes, suffixes, photos and illustrations shown in this catalogue are trademarks and/or copyrights of EBC Brakes or the trademark owner A C Freeman Investments Ltd and use without express written permission of the owners is punishable by law.

JAPANESE Built Motorcycles



HONDA Contd.



DISC PAD CHOICES - FRONT

BRAKE DISC CHOICES - FRONT

FA, SFA, TT Pad or Brake Shoe	SFAC Carbon Scooter Pads	Speciality Pads - SXR / Vee / MXS	Sintered/HH Pads/ Grooved Shoes	Standard Replacement Discs	Contour Disc Universal Left and Right	Vee-Discs Black † See note below	CX Extreme Disc / UTVX Disc	OSX Oversize 250mm or 280mm
FA121*			FA121HH*	MD1001*				
			FA296HH*★	MD1141X*	MD1141XC*	VR1141BLK*†		
			FA296HH*★	MD1141X*	MD1141XC*	VR1141BLK*†		
FA388*			FA388HH*★	MD1168X*	MD1168XC*			
FA226*			FA226HH*★	MD1168X*	MD1168XC*			
FA203*			FA203HH*	MD1001*				
FA226*			FA226HH*★	MD1003X*	MD1003XC*	VR1003BLK*†		
			FA296HH*★	MD1014X*	MD1014XC*	VR1014BLK*†		
			FA390HH*★	MD1152X*	MD1152XC*	VR1152BLK*†		
			FA700HH*★	MD1152X*	MD1152XC*	VR1152BLK*†		
			FA700HH*★	MD1152X*	MD1152XC*	VR1152BLK*†		
			FA390HH*★	MD1152X*	MD1152XC*	VR1152BLK*†		
			FA390HH*★	MD1152X*	MD1152XC*	VR1152BLK*†		
			FA296HH*★	MD1152X*	MD1152XC*	VR1152BLK*†		
			FA390HH*★	MD1152X*	MD1152XC*	VR1152BLK*†		
SFA388	SFAC388		SFA388HH	MD1172LS				
SFA281	SFAC281		SFA281HH	MD1006	MD1006C			
SFA281	SFAC281		SFA281HH	MD1172LS				
FA142		FA142V	FA142HH	MD1021LS				
FA124/2		FA124/2V	FA124/2HH	MD1047LS				
FA142		FA142V	FA142HH	MD1047LS				
FA069			FA069HH	MD6096D				
FA092TT			FA092R	MD6087D				
FA185TT*		MXS185*	FA185R*	MD6010D*			MD6010CX	
FA069			FA069HH	MD6044D				
FA124/2			FA124/2HH	MD6044D				
FA196		FA196V	FA196HH	MD6044D				
FA092TT			FA092R	MD6087D				
FA125TT			FA125R	MD6087D				
FA125TT			FA125R	MD6001D			MD6001CX	OSX6001
FA185TT		MXS185	FA185R	MD6001D			MD6001CX	OSX6001
FA142*		FA142V*	FA142HH*		MD1201C			
					MD1200C			
FA142*		FA142V*	FA142HH*		MD1201C			
					MD1200C			
			FA679HH*	MD1194X*	MD1194XC*			
FA090*		FA090V*		MD1036LS⊗				
				MD1036RS				
FA045*								
FA142*		FA142V*	FA142HH*		MD1201C			
					MD1200C			
FA142*		FA142V*	FA142HH*		MD1201C			
					MD1200C			
			FA679HH*	MD1194X*	MD1194XC*			
			FA679HH*	MD1194X*	MD1194XC*			
FA069/2*				MD1036LS⊗				
				MD1036RS				
FA069/2*								
FA196		FA196V	FA196HH	MD6300D				
FA209/2			FA209/2HH*	MD6044D				
FA069/2				MD1040LS				
				MD1040RS				
FA187			FA187HH*	MD1124LS				
FA209/2*			FA209/2HH*★	MD1008*				
			FA261HH*★	MD1008*				
FA142		FA142V	FA142HH	MD1021LS				
FA124/2			FA124/2HH	MD6010D			MD6010CX	
FA124/2			FA124/2HH	MD6010D			MD6010CX	

FRONT / AVANT / VORN / FRENTE / ANTERIORE

Line #
1
2
3
4
5
6
7
8
9
10
11
12
13
14
15
16
17
18
19
20
21
22
23
24
25
26
27
28
29
30
31
32
33
34
35
36
37
38
39
40
41
42
43
44
45
46
47
48
49
50
51
52
53
54
55
56
57
58
59
60

R Suffix = High Durability Sintered Pad. HH Suffix = High Performance Sintered Pad. TT Suffix = Hard Wearing Off Road Pad. V Suffix = Semi Sintered Pad. G Suffix = Grooved Shoe.
D Suffix = Drilled Disc. X Suffix = Universal Left or Right Floating Disc. XC Suffix = Contoured Floating Disc. LS Suffix = Left/Steel Disc. RS = Right/Steel Disc.

*-2 Sets Required. † For Vee disc colours add RED, BLU, GRN, GLD, ORG suffix to part number.

⊗ - Also available as a Vintage Motorcycle Disc. ★ - EPFA available. ⊕ Disc made of Billet steel. ◆ CE solid discs for Enduro use.

JAPANESE Built Motorcycles

BRAKE APPLICATIONS

Line #	BRAKE DISC CHOICES - FRONT			DISC PAD CHOICES - REAR				BRAKE DISC CHOICES - REAR					
	SMX Oversize 320mm Disc Kit Front Left	Front disc bolt kit	Front Brake Line	FA, SFA, TT Pad or Brake Shoe	SFAC Carbon Scooter Pads	Speciality Pads - SXR / Vee / MXS	Sintered HH/R Pads/ Grooved Shoes	Standard Replacement Disc	Contour Disc Rear Fitment	Vee Discs CONTOUR	CX Extreme MX Race Disc / UTVX Disc	Rear disc bolt kit	Rear Brake Line
1		DB102/6	BLM1064-3F	FA069/3			FA069/3HH	MD1002					
2		DB102/6	BLM1067-3F	FA174			FA174HH	MD1004	MD1004C	VR1004			
3		DB102/6	BLM1067-3F	FA174			FA174HH	MD1004	MD1004C	VR1004			
4		DB102/6		FA174			FA174HH	MD1156					
5		DB102/6		FA436			FA436HH	MD1156					
6		DB102/6	BLM1065-3F	FA174			FA174HH	MD1004	MD1004C				
7		DB102/6	BLM1066-3F	FA174			FA174HH	MD1004	MD1004C	VR1004			
8		DB102/6	BLM1067-3F	FA174			FA174HH	MD1004	MD1004C	VR1004			
9		DB102/6		FA436			FA436HH	MD1004	MD1004C	VR1004			
10		DB102/6		FA436			FA436HH	MD1004	MD1004C	VR1004			
11		DB102/6		FA436			FA436HH	MD1004	MD1004C	VR1004			
12		DB102/6		FA436			FA436HH	MD1004	MD1004C	VR1004			
13		DB102/6		FA436			FA436HH	MD1173	MD1173C	VR1173			
14		DB102/6	BLM1069-3F	FA174			FA174HH	MD1004	MD1004C	VR1004			
15		DB102/6		FA174			FA174HH	MD1004	MD1004C	VR1004			
16		DB102/6					FA261/2HH★						
17		DB102/6					FA261/2HH★						
18				SFA196	SFAC196		SFA196HH	MD1149					
19				SFA196			SFA196HH	MD1149	MD1149C				
20				SFA196			SFA196HH	MD1149					
21		DB102/6	BLM1116-1F	FA140		FA140V	FA140HH	MD1025					
22			BLM1146-1F	H321									
23			BLM1146-1F	H321									
24			BLM1154-1F	H318			H318G						
25				H318			H318G						
26	SMX6010			FA140		FA140V	FA140HH	MD6097D					
27			BLM1156-1F	H318			H318G						
28			BLM1156-1F	FA140		FA140V	FA140HH	MD6097D					
29			BLM1156-1F	FA140		FA140V	FA140HH	MD6097D					
30				H304			H304G						
31				H304			H304G						
32	SMX6001			FA131TT		MXS131	FA131R	MD6013D			MD6013CX		
33	SMX6001			FA131TT		MXS131	FA131R	MD6013D			MD6013CX		
34													
35				FA496		FA496V	FA496HH						
36													
37				FA496		FA496V	FA496HH	MD1156					
38				FA496		FA496V	FA496HH	MD1156					
39													
40				H320									
41			BLM1031-3F	H320									
42													
43				FA496		FA496V	FA496HH	MD1156					
44													
45				FA496		FA496V	FA496HH	MD1156					
46				FA496		FA496V	FA496HH	MD1156					
47				FA496		FA496V	FA496HH	MD1156					
48				FA069								BLM1092-1R	
49													
50			BLM1093-3F	FA069									
51				FA140		FA140V	FA140HH	MD6099D					
52				FA213			FA213HH★	MD6099D					
53				H321									
54													
55				FA140		FA140V	FA140HH	MD1022					
56		DB102/6	BLM1115-3F	FA140		FA140V	FA140HH	MD1016					
57		DB102/6	BLM1115-3F				FA261HH★	MD1016					
58		DB102/6		FA140		FA140V	FA140HH	MD1025					
59	SMX6010		BLM1117-1F	FA140		FA140V	FA140HH	MD6013D			MD6013CX		
60	SMX6010		BLM1117-1F	FA140		FA140V	FA140HH	MD6099D					

REAR / ARRIÈRE / HINTEN / POSTERIOR / POSTERIORE

R Suffix = High Durability Sintered Pad. **HH** Suffix = High Performance Sintered Pad. **TT** Suffix = Hard Wearing Off Road Pad. **V** Suffix = Semi Sintered Pad. **G** Suffix = Grooved Shoe. **D** Suffix = Drilled Disc. **X** Suffix = Universal Left or Right Floating Disc. **XC** Suffix = Contoured Floating Disc. **LS** Suffix = Left/Steel Disc. **RS** = Right/Steel Disc.

*-2 Sets Required. † For Vee disc colours add RED, BLU, GRN, GLD, ORG suffix to part number.

⊙ - Also available as a Vintage Motorcycle Disc. ★ - EPFA available. ⚙ - Disc made of Billet steel. ♦ - CE solid discs for Enduro use.

Part numbers, prefixes, suffixes, photos and illustrations shown in this catalogue are trademarks and/or copyrights of EBC Brakes or the trademark owner A C Freeman Investments Ltd and use without express written permission of the owners is punishable by law.

JAPANESE Built Motorcycles



HONDA Contd.



DISC PAD CHOICES - FRONT

BRAKE DISC CHOICES - FRONT

FRONT / AVANT / VORN / FRENTE / ANTERIORE

Model	Year	Side	FA, SFA, TT Pad or Brake Shoe	SFAC Carbon Scooter Pads	Speciality Pads - SXR / Vee / MXS	Sintered/ HH Pads/ Grooved Shoes	Standard Replacement Discs	Contour Disc Universal Left and Right	Vee-Discs Black † See note below	CX Extreme Disc / UTVX Disc	OSX Oversize 250mm or 280mm	Line #
NX 650 Dominator	1997-2002		FA209/2			FA209/2HH★	MD6010D			MD6010CX		1
SLR 650	1997-1998		FA209/2			FA209/2HH★	MD6044D					2
TRX 650 FA Rincon	2003-2005		H347*			H347G*						3
XL 650 Transalp	2000-2007		FA185TT*		MXS185*	FA185R*	MD6346D*					4
XR 650 L	1993-2021		FA185TT		MXS185	FA185R	MD6010D			MD6010CX		5
XR 650 R	2000-2007		FA185TT		MXS185	FA185R	MD6001D			MD6001CX	OSX6001	6
XRV 650 Africa Twin	1988-1989		FA124/2			FA124/2HH	MD6168D					7
TRX 680 FA Fourtrax Rincon	2006-2023		FA410TT*			FA410R*	MD6251D*					8
CTX 700 DE-DCT	2014-2021		FA196		FA196V	FA196HH		MD1187C				9
CTX 700 N-DCT	2014-2021		FA196		FA196V	FA196HH		MD1186C				10
MUV 700-9 Big Red	2009	Left	FA476TT				MD6341D*					11
	2009	Right	FA477TT									12
NC 700 DC-700 Integra Scooter	2012-2014		SFA388	SFAC388		SFA388HH		MD1187C				13
NC 700 S	2012-2013		FA196		FA196V	FA196HH		MD1186C				14
NC 700 SA	2012-2013		FA388			FA388HH★		MD1187C				15
NC 700 SD	2012-2014		FA388			FA388HH★		MD1187C				16
NC 700 X	2012-2013		FA196		FA196V	FA196HH		MD1186C				17
NC 700 XA	2012-2013		FA388			FA388HH★		MD1187C				18
NC 700 XD	2012-2014		FA388			FA388HH★		MD1187C				19
NSA 700 DN-01 680cc	2008-2011		FA388*			FA388HH*★	MD1180X*					20
NT 700 Deauville	2006-2013		FA388*			FA388HH*★	MD1008*					21
NT 700 Deauville	2007-2013		FA388*			FA388HH*★	MD1008*					22
SXS 700 M2 Pioneer	2016-2023		FA712TT*			FA712R*	MD6341D*					23
SXS 700 M4 Pioneer	2016-2023		FA712TT*			FA712R*	MD6341D*					24
TRX 700 X	2008-2012		FA185TT*			FA185R*	MD6006D*					25
XL 700 Transalp	2008-2011		FA185TT*		MXS185*	FA185R*	MD6346D*					26
XL 700 Transalp	2008-2011		FA388*			FA388HH*★	MD6346D*					27
CB 750 A Hornet R	2022-2024					FA759HH*	MD1210*					28
CB 750 F	1978-1982	Left	FA031*		FA031V*		MD1036LS⊗					29
	1978-1982	Right					MD1036RS					30
CB 750 F	1983-1984	Left	FA069/2*		FA069/2V*		MD1036LS⊗					31
	1983-1984	Right					MD1036RS					32
CB 750 F/F1	1976-1977		FA013		FA013V							33
CB 750 F2	1978		FA031*		FA031V*							34
CB 750 F2 Seven Fifty	1992-2002		FA142*		FA142V*	FA142HH*	MD1008*					35
CB 750 K0-K5	1969-1975		FA012		FA012V							36
CB 750 K6	1976		FA012		FA012V		MD1062LS⊗					37
CB 750 K7	1978		FA013		FA013V		MD1062LS⊗					38
CB 750 KZ	1980	Left	FA045*		FA045V*		MD1036LS⊗					39
	1980	Right					MD1036RS					40
CBR 750 FH Superaero RC27	1987		FA124*			FA124HH*	MD1001*					41
CBR 750 FJ Superaero RC27	1988	Left	FA142*		FA142V*	FA142HH*	MD1162LS					42
	1988	Right					MD1162RS					43
CBX 750 FE	1984		FA069*			FA069HH*	MD1001*					44
NC 750 D Integra Scooter DCT	2013-2021		SFA196	SFAC196		SFA196HH		MD1187C				45
NC 750 S	2014-2015		FA196		FA196V	FA196HH		MD1186C				46
NC 750 S	2014-2018		FA196		FA196V	FA196HH		MD1187C				47
NC 750 S	2014-2018		FA196		FA196V	FA196HH		MD1187C				48
NC 750 X	2014-2015		FA196		FA196V	FA196HH		MD1186C				49
NC 750 X	2014-2023		FA196		FA196V	FA196HH		MD1187C				50
NC 750 X	2014-2021		FA196		FA196V	FA196HH		MD1187C				51
NM 4 Vultus NC750	2015-2019		FA196		FA196V	FA196HH						52
NR 750 N	1992		FA187*			FA187HH*★						53
NSS 750 Forza	2021-2024					FA679HH*	MD1193X*					54
RVF 750 RR RC45	1994-1998	Left	FA187*			FA187HH*★	MD1012LS					55
	1994-1998	Right					MD1012RS					56
VF 750 C	1993-1999		FA196		FA196V	FA196HH	MD1021LS					57
VF 750 C Shadow	1983		FA069		FA069V	FA069HH	MD1047LS					58
VF 750 CH	1987		FA069/3		FA069/3V	FA069/3HH	MD1059LS					59
VF 750 FD/FE	1983-1984	Left	FA069*			FA069HH*	MD1083LS					60

*-2 Sets Required. † For Vee disc colours add RED, BLU, GRN, GLD, ORG suffix to part number.

⊗ - Also available as a Vintage Motorcycle Disc. ★ - EPFA available. ⊕ Disc made of Billet steel. ◆ CE solid discs for Enduro use.

JAPANESE Built Motorcycles

BRAKE APPLICATIONS

Line #	BRAKE DISC CHOICES - FRONT			DISC PAD CHOICES - REAR				BRAKE DISC CHOICES - REAR					
	SMX Oversize 320mm Disc Kit Front Left	Front disc bolt kit	Front Brake Line	FA, SFA, TT Pad or Brake Shoe	SFAC Carbon Scooter Pads	Speciality Pads - SXR / Vee / MXS	Sintered HH/R Pads/ Grooved Shoes	Standard Replacement Disc	Contour Disc Rear Fitment	Vee Discs CONTOUR	CX Extreme MX Race Disc / UTVX Disc	Rear disc bolt kit	Rear Brake Line
1	SMX6010		BLM1118-1F	FA213			FA213HH★	MD6099D					
2			BLM1123-1F	FA213			FA213HH★	MD6099D					
3				FA373TT			FA373R	MD6217D					
4				FA140		FA140V	FA140HH	MD6097D					
5	SMX6010			FA131TT		MXS131	FA131R	MD6045D			MD6045CX		
6	SMX6001		BLM6011-1F	FA131TT		MXS131	FA131R	MD6181D	MD6181C		MD6181CX		
7				FA140		FA140V	FA140HH	MD6097D					
8				FA373TT			FA373R	MD6217D					
9				FA140		FA140V	FA140HH		MD1185C				
10				FA140		FA140V	FA140HH		MD1185C				
11				FA478TT				MD6341D*					
12				FA479TT									
13				FA174			FA174HH		MD1185C				
14				FA140		FA140V	FA140HH		MD1185C				
15				FA174			FA174HH		MD1185C				
16				FA174			FA174HH		MD1185C				
17				FA140		FA140V	FA140HH		MD1185C				
18				FA174			FA174HH		MD1185C				
19				FA174			FA174HH		MD1185C				
20		DB102/6		FA196			FA196HH★						
21		DB102/6					FA261HH★	MD1016					
22		DB102/6					FA261HH★	MD1016					
23				FA714TT			FA714R	MD6217D					
24				FA714TT			FA714R	MD6217D					
25				FA410TT			FA410R	MD6331D					
26				FA140		FA140V	FA140HH	MD6345D					
27				FA174			FA174HH	MD6345D					
28				FA140		FA140V	FA140HH	MD1156					
29													
30				FA031				MD1071⊕					
31													BLM1038-1R
32				FA069				MD1082					
33			BLM1033-2F	FA032				MD1064					
34			BLM1036-3F	FA030				MD1064					
35		DB102/6	BLM1037-3F	FA174			FA174HH	MD1020					
36				H320									
37				H320									
38			BLM1041-3F	H320									
39				H320									BLM1041-1R
40													
41		DB102/6		FA069/3			FA069/3HH	MD1006					
42				FA196			FA196HH★	MD1006					
43													
44		DB102/6	BLM1084-3F	FA069/3			FA069/3HH	MD1079					
45				FA496		FA496V	FA496HH		MD1185C				
46				FA496		FA496V	FA496HH		MD1185C				
47				FA496		FA496V	FA496HH		MD1185C				
48				FA496		FA496V	FA496HH		MD1185C				
49				FA496		FA496V	FA496HH		MD1185C				
50				FA496		FA496V	FA496HH		MD1185C				
51				FA496		FA496V	FA496HH		MD1185C				
52				FA140		FA140V	FA140HH						
53				FA143									
54				FA496		FA496V	FA496HH	MD1156					
55				FA143				MD1013					BLM1121-1R
56													
57		DB102/6		H343									
58				H343									
59				H343									
60				FA069/3			FA069/3HH	MD1068					BLM1132-1R

REAR / ARRIÈRE / HINTEN / POSTERIOR / POSTERIORE

R Suffix = High Durability Sintered Pad. **HH** Suffix = High Performance Sintered Pad. **TT** Suffix = Hard Wearing Off Road Pad. **V** Suffix = Semi Sintered Pad. **G** Suffix = Grooved Shoe.
D Suffix = Drilled Disc. **X** Suffix = Universal Left or Right Floating Disc. **XC** Suffix = Contoured Floating Disc. **LS** Suffix = Left/Steel Disc. **RS** = Right/Steel Disc.

*-2 Sets Required. † For Vee disc colours add RED, BLU, GRN, GLD, ORG suffix to part number.

⊕ - Also available as a Vintage Motorcycle Disc. ★ - EPFA available. ⊕ Disc made of Billet steel. ◆ CE solid discs for Enduro use.

Part numbers, prefixes, suffixes, photos and illustrations shown in this catalogue are trademarks and/or copyrights of EBC Brakes or the trademark owner A C Freeman Investments Ltd and use without express written permission of the owners is punishable by law.

JAPANESE Built Motorcycles



HONDA Contd.



DISC PAD CHOICES - FRONT

BRAKE DISC CHOICES - FRONT

			FA, SFA, TT Pad or Brake Shoe	SFAC Carbon Scooter Pads	Speciality Pads - SXR / Vee / MXS	Sintered/HH Pads/ Grooved Shoes	Standard Replacement Discs	Contour Disc Universal Left and Right	Vee-Discs Black † See note below	CX Extreme Disc / UTVX Disc	OSX Oversize 250mm or 280mm	Line #
		Right	1983-1984				MD1083RS					1
			1982		FA069V*	FA069HH*	MD1001*					2
			1986-1987			FA124HH*	MD1001*					3
			1988-1989			FA142HH*	MD1008*					4
			1990-1993			FA142HH*	MD1008*					5
			1994-1997			FA142HH*	MD1003X*	MD1003XC*	VR1003BLK*†			6
		Left	1988-1990			FA187HH*★	MD1010LS					7
		Right	1988-1990				MD1010RS					8
			2001-2004		FA196V	FA196HH	MD1159					9
			2007-2009		FA196V	FA196HH	MD1159					10
			1997-2009		FA196V	FA196HH	MD1159					11
			2018-2020			FA388HH*★						12
			2018-2020			FA388HH*★						13
			2010-2012			FA388HH*★						14
			2010-2016		FA196V	FA196HH	MD1159					15
			2010-2012		FA196V	FA196HH	MD1159					16
			2017-2022			FA679HH*	TBC*					17
			2018-2024			FA679HH*						18
		Left	2022-2024			FA375HH*	MD1198X*	MD1198XC*				19
		Right	2022-2024			FA465HH*						20
			1983-1988		FA069	FA069HH	MD6044D					21
			1990-1993		FA121*	FA121HH*	MD6102*					22
			1994-2003		FA185TT*	MXS185*	FA185R*	MD6102*				23
			1989-1997		FA142*	FA142V*	FA142HH*	MD1001*				24
			2006-2009			FA388HH*★	MD1157X*	MD1157XC*				25
			2002-2005			FA261HH*★	MD1157X*	MD1157XC*				26
			2006-2013			FA388HH*★	MD1157X*	MD1157XC*				27
			2014-2019			FA390HH*★	MD1188X*					28
			1998-1999			FA261HH*★	MD1014X*	MD1014XC*	VR1014BLK*†			29
			2000-2005			FA261HH*★	MD1014X*	MD1014XC*	VR1014BLK*†			30
			2011-2014			FA388HH*★	MD1157X*					31
			2015-2016			FA390HH*★	MD1188X*					32
			2017-2019			FA700HH*★	MD1188X*					33
		Left	1984-1985		FA069*	FA069HH*	MD1036LS⊗					34
		Right	1984-1985				MD1036RS					35
			2002-2007		FA187*	FA187HH*★	MD1141X*	MD1141XC*	VR1141BLK*†			36
		Left	1982-1983		FA069/2*		MD1036LS⊗					37
		Right	1982-1983				MD1036RS					38
		Left	1980-1981		FA031*		MD1036LS⊗					39
		Right	1980-1981				MD1036RS					40
			1999			FA095HH*★	MD1134X					41
			1992-1993		FA187*	FA187HH*★	MD1014X*	MD1014XC*	VR1014BLK*†			42
			1994-1995		FA187*	FA187HH*★	MD1003X*	MD1003XC*	VR1003BLK*†			43
			2002-2003			FA265HH*★	MD1137X*	MD1137XC*	VR1137BLK*†			44
			1996-1997		FA187*	FA187HH*★	MD1003X*	MD1003XC*	VR1003BLK*†			45
			1998-1999			FA265HH*★	MD1134X*	MD1134XC*	VR1134BLK*†			46
			2000-2001			FA265HH*★	MD1137X*	MD1137XC*	VR1137BLK*†			47
			1993-1997		FA187*	FA187HH*★	MD1056*					48
			2024			FA679HH*						49
			2009-2015			FA390HH*★	MD1152X*	MD1152XC*	VR1152BLK*†			50
			2017-2018			FA296HH*★	MD1193X*					51
			2019-2023			FA700HH*★	MD1193X*					52
			2009-2016			FA388HH*★	MD1152X*	MD1152XC*	VR1152BLK*†			53
			2006-2011		FA226*	FA226HH*★	MD1160*					54
			2006-2010			FA388HH*★	MD1160*					55
			2010-2015		FA226*	FA226HH*★	MD1160*					56
			2010-2015			FA388HH*★	MD1160*					57
			2010-2011			FA388HH*★	MD1160*					58
			2010-2011			FA388HH*★	MD1160*					59
			2007-2011			FA388HH*★	MD1160*					60

FRONT / AVANT / VORN / FRENTE / ANTERIORE

R Suffix = High Durability Sintered Pad. HH Suffix = High Performance Sintered Pad. TT Suffix = Hard Wearing Off Road Pad. V Suffix = Semi Sintered Pad. G Suffix = Grooved Shoe.
D Suffix = Drilled Disc. X Suffix = Universal Left or Right Floating Disc. XC Suffix = Contoured Floating Disc. LS Suffix = Left/Steel Disc. RS = Right/Steel Disc.

*-2 Sets Required. † For Vee disc colours add RED, BLU, GRN, GLD, ORG suffix to part number.

⊗ - Also available as a Vintage Motorcycle Disc. ★ - EPFA available. ⊕ Disc made of Billet steel. ◆ CE solid discs for Enduro use.

JAPANESE Built Motorcycles

BRAKE APPLICATIONS

Line #	BRAKE DISC CHOICES - FRONT			DISC PAD CHOICES - REAR				BRAKE DISC CHOICES - REAR					
	SMX Oversize 320mm Disc Kit Front Left	Front disc bolt kit	Front Brake Line	FA, SFA, TT Pad or Brake Shoe	SFAC Carbon Scooter Pads	Speciality Pads - SXR / Vee / MXS	Sintered HH/R Pads/ Grooved Shoes	Standard Replacement Disc	Contour Disc Rear Fitment	Vee Discs CONTOUR	CX Extreme MX Race Disc / UTVX Disc	Rear disc bolt kit	Rear Brake Line
1													
2		DB102/6		H321									
3		DB102/6	BLM1136-3F	FA069/3			FA069/3HH	MD1006					
4		DB102/6	BLM1137-3F	FA196			FA196HH★	MD1006					
5		DB102/6	BLM1138-3F	FA196			FA196HH★	MD1007					
6		DB102/6	BLM1139-3F	FA196			FA196HH★	MD1007	MD1007C				
7				FA143				MD1011⊕					BLM1140-1R
8													
9				H343									
10				H343									
11				H343									
12				TBC									
13				FA254			FA254HH★						
14				FA254			FA254HH★						
15				H343									
16				H343									
17				FA496		FA496V	FA496HH	MD1156					
18				FA496		FA496V	FA496HH	MD1156					
19		DB102/6		FA174			FA174HH	MD1196					
20													
21				H340			H340G						
22			BLM1161-3F	FA140		FA140V	FA140HH	MD6103D					
23			BLM1161-3F	FA140		FA140V		MD6103D					
24		DB102/6		H343									
25		DB102/6					FA261HH★	MD1165	MD1165C				
26		DB102/6	BLM1142-13F				FA261HH★	MD1164	MD1164C				
27		DB102/6	BLM1142-13F				FA261HH★	MD1164	MD1164C				
28							FA488HH	MD1190					
29		DB102/6					FA261HH★	MD1165	MD1165C				
30		DB102/6					FA261HH★	MD1165	MD1165C				
31		DB102/6					FA488HH	MD1189					
32		DB102/6					FA488HH	MD1190					
33							FA488HH	MD1190					
34													
35				FA069			FA069HH	MD1082					
36		DB102/6	BLM1042-3F	FA174			FA174HH	MD1020	MD1020C	VR1020			
37													
38				FA069				MD1082					BLM1043-1R
39													
40				FA031				MD1071⊕					
41		DB102/6		FA047			FA047HH						
42		DB102/6	BLM1075-3F	FA174			FA174HH	MD1004	MD1004C	VR1004			
43		DB102/6	BLM1075-3F	FA174			FA174HH	MD1004	MD1004C	VR1004			
44		DB102/6		FA174			FA174HH	MD1004	MD1004C	VR1004			
45		DB102/6	BLM1077-3F	FA174			FA174HH	MD1004	MD1004C	VR1004			
46		DB102/6	BLM1077-3F	FA174			FA174HH	MD1004	MD1004C	VR1004			
47		DB102/6		FA174			FA174HH	MD1004	MD1004C	VR1004			
48			BLM1001-3F	FA174			FA174HH	MD1016					
49							FA174HH						
50		DB102/6					FA488HH	MD1177	MD1177C				
51		DB102/6					FA488HH	TBC					
52		DB102/6					FA488HH	TBC					
53		DB102/6					FA488HH	MD1177	MD1177C				
54		DB102/6		FA174			FA174HH	MD1156					
55		DB102/6	BLM1046-3F				FA388HH★	MD1178					
56		DB102/6		FA174			FA174HH	MD1156					
57		DB102/6		FA174			FA174HH	MD1178					
58		DB102/6		FA174			FA174HH	MD1178					
59		DB102/6		FA174			FA174HH	MD1178					
60		DB102/6					FA388HH★	MD1178					

REAR / ARRIÈRE / HINTEN / POSTERIOR / POSTERIORE

R Suffix = High Durability Sintered Pad. **HH** Suffix = High Performance Sintered Pad. **TT** Suffix = Hard Wearing Off Road Pad. **V** Suffix = Semi Sintered Pad. **G** Suffix = Grooved Shoe. **D** Suffix = Drilled Disc. **X** Suffix = Universal Left or Right Floating Disc. **XC** Suffix = Contoured Floating Disc. **LS** Suffix = Left/Steel Disc. **RS** = Right/Steel Disc.

*-2 Sets Required. † For Vee disc colours add RED, BLU, GRN, GLD, ORG suffix to part number.

⊕ - Also available as a Vintage Motorcycle Disc. ★ - EPFA available. ⊕ Disc made of Billet steel. ◆ CE solid discs for Enduro use.

Part numbers, prefixes, suffixes, photos and illustrations shown in this catalogue are trademarks and/or copyrights of EBC Brakes or the trademark owner A C Freeman Investments Ltd and use without express written permission of the owners is punishable by law.

JAPANESE Built Motorcycles



HONDA Contd.



DISC PAD CHOICES - FRONT

BRAKE DISC CHOICES - FRONT

FA, SFA, TT Pad or Brake Shoe	SFAC Carbon Scooter Pads	Speciality Pads - SXR / Vee / MXS	Sintered/HH Pads/ Grooved Shoes	Standard Replacement Discs	Contour Disc Universal Left and Right	Vee-Discs Black † See note below	CX Extreme Disc / UTVX Disc	OSX Oversize 250mm or 280mm
			FA388HH*★	MD1160*				
CBF 1000 T			FA189*	MD1008*				
CBR 1000 F			FA124*	MD1008*				
CBR 1000 FH/FJ								
CBR 1000 Fireblade 8 Ball			FA447HH*★					
CBR 1000 FK/FL/FM/FN		FA142V*	FA142HH*	MD1008*				
CBR 1000 RA Fireblade			FA390HH*★	MD1171X*	MD1171XC*	VR1171BLK*†		
CBR 1000 RR Fireblade			FA390HH*★	MD1153X*	MD1153XC*	VR1153BLK*†		
CBR 1000 RR Fireblade			FA390HH*★	MD1161X*	MD1161XC*	VR1161BLK*†		
CBR 1000 RR Fireblade			FA390HH*★	MD1171X*	MD1171XC*	VR1171BLK*†		
CBR 1000 RR Fireblade			FA700HH*★	MD1176X*	MD1171XC*	VR1171BLK*†		
CBR 1000 RR-R Fireblade			FA700HH*★	MD1199X*				
CBR 1000 RR-R SP Fireblade 30th Ann			FA447HH*★					
CBR 1000 RR-SP Fireblade			FA757HH*★					
CBR 1000 RR-SP Fireblade			FA447HH*★					
CBR 1000 RR-SP Fireblade			FA447HH*★	MD1171X*				
CBR 1000 RR-SP TT Edition			FA447HH*★	MD1199X*				
CBR 1000 RR-SP1			FA447HH*★	MD1202X*				
CBX 1000 B/C		FA069/2V*						
CBX 1000 Z	Left	FA031*		MD1036LS⊗				
	Right			MD1036RS				
CRF 1000 Africa Twin			FA679HH*	MD1198X*	MD1198XC*			
CRF 1000 Africa Twin			FA679HH*	MD1198X*	MD1198XC*			
CRF 1000 Africa Twin			FA679HH*	MD1198X*	MD1198XC*			
GL 1000 Goldwing	Left	FA030*	FA030V*	MD1074LS				
	Right			MD1074RS				
GL 1000 Goldwing		FA029*	FA029V*					
GL 1000 Z Goldwing	Left	FA029*	FA029V*	MD1036LS⊗				
	Right			MD1036RS				
PVT 1000 RS Pursuer			FA700HH*★					
RC 213 V-S			FA447HH*★					
SXS 1000 M3 Pioneer	Left		FA701R	MD6410D*			UTVX6410*	
	Right	FA702TT	FA702R					
SXS 1000 M3P Pioneer	Left		FA701R	MD6410D*			UTVX6410*	
	Right	FA702TT	FA702R					
SXS 1000 M5D Pioneer	Left		FA701R	MD6410D*			UTVX6410*	
	Right	FA702TT	FA702R					
SXS 1000 M5L Pioneer	Left		FA701R	MD6410D*			UTVX6410*	
	Right	FA702TT	FA702R					
SXS 1000 M5P Pioneer	Left		FA701R	MD6410D*			UTVX6410*	
	Right	FA702TT	FA702R					
SXS 1000 S2R Talon	Left		FA701R	MD6425D*			TBC*	
	Right	FA702TT	FA702R					
VF 1000 F		FA069*	FA069V	FA069HH*	MD1001*			
VF 1000 R		FA069*	FA069V	FA069HH*	MD1146*			
VTR 1000 F Firestorm		FA187*		FA187HH*★	MD1003X*	MD1003XC*	VR1003BLK*†	
VTR 1000 SP1				FA265HH*★	MD1161X*	MD1161XC*	VR1161BLK*†	
VTR 1000 SP2				FA265HH*★	MD1161X*	MD1161XC*	VR1161BLK*†	
XL 1000 VA Varadero				FA388HH*★	MD1157X*	MD1157XC*		
XL 1000 Varadero				FA261HH*★	MD1014X*	MD1014XC*	VR1014BLK*†	
XL 1000 Varadero				FA261HH*★	MD1014X*	MD1014XC*	VR1014BLK*†	
XL 1000 Varadero				FA388HH*★	MD1014X*	MD1014XC*	VR1014BLK*†	
CB 1100 AD				FA388HH*★				
CB 1100 AE				FA296HH*★				
CB 1100 EX				FA296HH*★				
CB 1100 R		FA069*		FA069HH*				
CB 1100 RS				FA390HH*★				
CB 1100 RS				FA700HH*★				
CB 1100 S X11				FA261HH*★	MD1136X*	MD1136XC*	VR1136BLK*†	
CBR 1100 XX Blackbird				FA261HH*★	MD1120X*	MD1120XC*	VR1120BLK*†	
CBR 1100 XXX Blackbird				FA261HH*★	MD1136X*	MD1136XC*	VR1136BLK*†	

FRONT / AVANT / VORN / FRENTE / ANTERIORE

Line #

R Suffix = High Durability Sintered Pad. HH Suffix = High Performance Sintered Pad. TT Suffix = Hard Wearing Off Road Pad. V Suffix = Semi Sintered Pad. G Suffix = Grooved Shoe.
D Suffix = Drilled Disc. X Suffix = Universal Left or Right Floating Disc. XC Suffix = Contoured Floating Disc. LS Suffix = Left/Steel Disc. RS = Right/Steel Disc.

*-2 Sets Required. † For Vee disc colours add RED, BLU, GRN, GLD, ORG suffix to part number.

⊗ - Also available as a Vintage Motorcycle Disc. ★ - EPFA available. ⊕ Disc made of Billet steel. ◆ CE solid discs for Enduro use.

JAPANESE Built Motorcycles

BRAKE APPLICATIONS

Line #	BRAKE DISC CHOICES - FRONT			DISC PAD CHOICES - REAR				BRAKE DISC CHOICES - REAR					
	SMX Oversize 320mm Disc Kit Front Left	Front disc bolt kit	Front Brake Line	FA, SFA, TT Pad or Brake Shoe	SFAC Carbon Scooter Pads	Speciality Pads - SXR / Vee / MXS	Sintered HH/R Pads/ Grooved Shoes	Standard Replacement Disc	Contour Disc Rear Fitment	Vee Discs CONTOUR	CX Extreme MX Race Disc / UTVX Disc	Rear disc bolt kit	Rear Brake Line
1		DB102/6		FA388HH				MD1178					
2		DB102/6	BLM1052-10FR	FA189			FA189HH	MD1006					
3		DB102/6	BLM1050-3F	FA069/3			FA069/3HH	MD1001					
4				FA436			FA436HH	MD1173	MD1173C	VR1173			
5		DB102/6	BLM1051-3F	FA196			FA196HH★	MD1016					
6		DB102/6		FA436			FA436HH	MD1173	MD1173C	VR1173			
7		DB102/6	BLM1054-2F	FA174			FA174HH	MD1004	MD1004C	VR1004			
8		DB102/6		FA436			FA436HH	MD1004	MD1004C	VR1004			
9		DB102/6		FA436			FA436HH	MD1173	MD1173C	VR1173			
10				FA436			FA436HH	MD1173	MD1173C	VR1173			
11				FA436			FA436HH	MD1173	MD1173C	VR1173			
12							FA266HH★	MD1205					
13							FA266HH★	MD1205					
14							FA266HH★	MD1205					
15		DB102/6		FA436			FA436HH	MD1173	MD1173C	VR1173			
16				FA436			FA436HH	MD1173	MD1173C	VR1173			
17							FA266HH★	MD1173	MD1173C	VR1173			
18			BLM1080-3F	FA069			FA069HH	MD1071⊕					
19													BLM1081-1R
20				FA031				MD1071⊕					
21		DB102/6		FA174			FA174HH	MD1196					
22		DB102/6		FA174			FA174HH	MD1196					
23		DB102/6		FA174			FA174HH	MD1196					
24				FA032				MD1064					
25													
26				FA032				MD1064					
27				FA032				MD1064					BLM1096-1R
28													
29				FA109				MD1079					
30				FA266			FA266HH★						
31				FA703TT			FA703R	MD6410D*			UTVX6410*		
32				FA704TT			FA704R						
33				FA703TT			FA703R	MD6410D*			UTVX6410*		
34				FA704TT			FA704R						
35				FA703TT			FA703R	MD6410D*			UTVX6410*		
36				FA704TT			FA704R						
37				FA703TT			FA703R	MD6410D*			UTVX6410*		
38				FA704TT			FA704R						
39				FA703TT			FA703R	MD6410D*			UTVX6410*		
40				FA704TT			FA704R						
41				FA703TT			FA703R	MD6425D*					
42				FA704TT			FA704R						
43		DB102/6	BLM1128-3F	FA069/3		FA069/3V	FA069/3HH	MD1079					
44			BLM1129-3F	FA109									
45		DB102/6	BLM1150-3F	FA174			FA174HH	MD1004	MD1004C	VR1004			
46		DB102/6		FA174			FA174HH	MD1004	MD1004C	VR1004			
47		DB102/6		FA174			FA174HH	MD1004	MD1004C	VR1004			
48		DB102/6					FA261HH★	MD1006	MD1006C				
49		DB102/6	BLM1152-10FR				FA261HH★	MD6103D					
50		DB102/6	BLM1152-10FR				FA261HH★	MD1006	MD1006C	VR1006			
51		DB102/6					FA261HH★	MD1006	MD1006C	VR1006			
52				FA174			FA174HH	MD1203					
53				FA174			FA174HH	MD1203					
54				FA174			FA174HH	MD1203					
55				FA069/3			FA069/3HH	MD1116					
56				FA174			FA174HH	MD1174					
57				FA174			FA174HH	MD1174					
58		DB102/6	BLM1004-10FR				FA261HH★	MD1006	MD1006C	VR1006			
59		DB102/6	BLM1056-10FR				FA261HH★	MD1006	MD1006C	VR1006			
60		DB102/6	BLM1056-10FR				FA261HH★	MD1006	MD1006C	VR1006			

REAR / ARRIÈRE / HINTEN / POSTERIOR / POSTERIORE

R Suffix = High Durability Sintered Pad. **HH** Suffix = High Performance Sintered Pad. **TT** Suffix = Hard Wearing Off Road Pad. **V** Suffix = Semi Sintered Pad. **G** Suffix = Grooved Shoe.
D Suffix = Drilled Disc. **X** Suffix = Universal Left or Right Floating Disc. **XC** Suffix = Contoured Floating Disc. **LS** Suffix = Left/Steel Disc. **RS** = Right/Steel Disc.

*-2 Sets Required. † For Vee disc colours add RED, BLU, GRN, GLD, ORG suffix to part number.

⊕ - Also available as a Vintage Motorcycle Disc. ★ - EPFA available. ⊕ Disc made of Billet steel. ◆ CE solid discs for Enduro use.

Part numbers, prefixes, suffixes, photos and illustrations shown in this catalogue are trademarks and/or copyrights of EBC Brakes or the trademark owner A C Freeman Investments Ltd and use without express written permission of the owners is punishable by law.

JAPANESE Built Motorcycles



HONDA Contd.



DISC PAD CHOICES - FRONT

BRAKE DISC CHOICES - FRONT

R Suffix = High Durability Sintered Pad. **HH** Suffix = High Performance Sintered Pad. **TT** Suffix = Hard Wearing Off Road Pad. **V** Suffix = Semi Sintered Pad. **G** Suffix = Grooved Shoe.
D Suffix = Drilled Disc. **X** Suffix = Universal Left or Right Floating Disc. **XC** Suffix = Contoured Floating Disc. **LS** Suffix = Left/Steel Disc. **RS** = Right/Steel Disc.

Model	Year	FA, SFA, TT Pad or Brake Shoe	SFAC Carbon Scooter Pads	Speciality Pads - SXR / Vee / MXS	Sintered/HH Pads/ Grooved Shoes	Standard Replacement Discs	Contour Disc Universal Left and Right	Vee-Disks Black † See note below	CX Extreme Disc / UTVX Disc	OSX Oversize 250mm or 280mm	Line #
CMX 1100 Rebel	2021-2024				FA700HH★						1
CRF 1100 Africa Twin Adventure Sport ES	2019-2024				FA679HH*	MD1206X*	MD1206XC*				2
CRF 1100 Africa Twin Adventure Sport ES	2019-2024				FA679HH*	MD1206X*	MD1206XC*				3
GL 1100 AD Goldwing Aspencade	1983	FA069/2*		FA069/2V*		MD1133*					4
GL 1100 C/DC Goldwing	Left 1982	FA069/2*		FA069/2V*		MD1036LS⊙					5
	Right 1982					MD1036RS					6
GL 1100 SC02	Left 1980-1982	FA030*		FA030V*		MD1036LS⊙					7
	Right 1980-1982					MD1036RS					8
NT 1100 DCT	2022-2024				FA679HH*	MD1193X*					9
NT 1100 Sport Tourer	2022-2024				FA679HH*	MD1193X*					10
ST 1100 Pan European	1990-2002	FA142*		FA142V*	FA142HH*	MD1101*					11
ST 1100 Pan European	1992-1995	FA142*		FA142V*	FA142HH*	MD1101*					12
ST 1100 Pan European	1996-2002				FA261HH*★	MD1008*					13
VT 1100 C2	1995-1997	FA196		FA196V	FA196HH	MD1021RS					14
VT 1100 C2	1998-2005	FA196		FA196V	FA196HH	MD1179					15
VT 1100 C3	1998-2000	FA196		FA196V	FA196HH	MD1179					16
VT 1100 Shadow	1987-1993	FA069/3		FA069/3V	FA069/3HH	MD1080RS					17
VT 1100 Shadow	1994-1998	FA196		FA196V	FA196HH	MD1167RS					18
GL 1200 Goldwing	Left 1984-1986	FA069/3*		FA069/3V*	FA069/3HH*	MD1083LS					19
	Right 1984-1986					MD1083RS					20
GL 1200 Goldwing	1984-1986	FA069/3*		FA069/3V*	FA069/3HH*	MD1125*⊙					21
VFR 1200 Crosstourer Highlander T/DCT	2015-2016				FA388HH*★	MD1197*					22
VFR 1200 FA	2010-2016				FA499/4HH*	MD1176X*					23
VFR 1200 FA GT	2014-2015				FA499/4HH*	MD1176X*					24
VFR 1200 FAD DCT	2010-2017				FA499/4HH*	MD1176X*					25
VFR 1200 FAD GT/DCT	2014-2015				FA499/4HH*	MD1176X*					26
VFR 1200 X Crosstourer	2012-2018				FA388HH*★	MD1197*					27
VFR 1200 X Crosstourer DCT	2012-2018				FA388HH*★	MD1197*					28
CB 1300 F1 SC40	2001				FA265HH*★						29
CB 1300 S	2005-2009				FA296HH*★	MD1152X*	MD1152XC*	VR1152BLK*†			30
CB 1300 SA	2010-2011				FA388HH*★	MD1152X*	MD1152XC*	VR1152BLK*†			31
CB 1300 SC40	1998-2000	FA424*			FA424HH*	MD1136X*	MD1136XC*	VR1136BLK*†			32
CB 1300 Superfour	2003-2004				FA296HH*★						33
CB 1300 Superfour	2005-2009				FA296HH*★	MD1152X*	MD1152XC*	VR1152BLK*†			34
CB 1300 Superfour	2005-2009				FA296HH*★	MD1152X*	MD1152XC*	VR1152BLK*†			35
CB 1300 X4 SC38	1997-2000	FA187*			FA187HH*★						36
CTX 1300 AE	2014-2019				FA388HH*★	MD1152X*					37
ST 1300 Pan European	2002-2007				FA261HH*★	MD1154X*	MD1154XC*				38
ST 1300 Pan European	2002-2007				FA261HH*★	MD1154X*	MD1154XC*				39
ST 1300 Pan European	2008-2009				FA388HH*★	MD1154X*	MD1154XC*				40
ST 1300 Pan European	2008-2017				FA388HH*★	MD1154X*	MD1154XC*				41
VT 1300 CTA Interstate	2011-2013				FA388HH*						42
VT 1300 CXA Fury	2010-2020	FA196		FA196V	FA196HH						43
VT 1300 CXAA Fury	2010-2020	FA388			FA388HH*						44
VTX 1300 C/T	2003-2008	FA196		FA196V	FA196HH	MD1182RS					45
VTX 1300 S	2003-2008	FA196		FA196V	FA196HH	MD1158RS					46
GL 1500 F6C	1997-1999	FA142*		FA142V*	FA142HH*	MD1014X*	MD1014XC*	VR1014BLK*†			47
GL 1500 F6C	2000-2003	FA142*		FA142V*	FA142HH*	MD1014X*	MD1014XC*	VR1014BLK*†			48
GL 1500 Goldwing	1990-2000	FA124/2*		FA124/2V*	FA124/2HH*	MD1126*⊙					49
GL 1500 J/K Goldwing	1988-1989	FA124/2*		FA124/2V*	FA124/2HH*	MD1126*⊙					50
GL 1800 B Goldwing	2018-2024				FA717HH*						51
GL 1800 BD Goldwing J	2021-2024				FA717HH*						52
GL 1800 D Goldwing Tour J	2018-2024				FA717HH*						53
GL 1800 DA Goldwing Tour Airbag J	2018-2020				FA717HH*						54
GL 1800 Goldwing	2001-2005				FA261HH*★	MD1014X*	MD1014XC*	VR1014BLK*†			55
GL 1800 Goldwing	2006-2017				FA261HH*★	MD1014X*	MD1014XC*	VR1014BLK*†			56
GL 1800 Goldwing J	2018-2024				FA717HH*						57
GL 1800 Goldwing Tour J	2018-2024				FA717HH*						58
VTX 1800 C	2002-2008				FA261HH*★	MD1141X*	MD1141XC*	VR1141BLK*†			59
EM 1 e Electric Scooter	2024	SFA708									60

FRONT / AVANT / VORN / FRENTE / ANTERIORE

*-2 Sets Required. † For Vee disc colours add RED, BLU, GRN, GLD, ORG suffix to part number.

⊙ - Also available as a Vintage Motorcycle Disc. ★ - EPFA available. ⊙ Disc made of Billet steel. ◆ CE solid discs for Enduro use.

JAPANESE Built Motorcycles

BRAKE APPLICATIONS

Line #	BRAKE DISC CHOICES - FRONT			DISC PAD CHOICES - REAR				BRAKE DISC CHOICES - REAR					
	SMX Oversize 320mm Disc Kit Front Left	Front disc bolt kit	Front Brake Line	FA, SFA, TT Pad or Brake Shoe	SFAC Carbon Scooter Pads	Speciality Pads - SXR / Vee / MXS	Sintered HH/R Pads/ Grooved Shoes	Standard Replacement Disc	Contour Disc Rear Fitment	Vee Discs CONTOUR	CX Extreme MX Race Disc / UTVX Disc	Rear disc bolt kit	Rear Brake Line
1				FA496		FA496V	FA496HH						
2		DB102/6		FA174			FA174HH						
3		DB102/6		FA174			FA174HH						
4			BLM1098-2F	FA069				MD1082					
5				FA069				MD1071⊕					BLM1099-1R
6													
7				FA030				MD1071⊕					BLM1097-1R
8													
9				FA496		FA496V	FA496HH	TBC					
10				FA496		FA496V	FA496HH	TBC					
11			BLM1126-3F	FA196			FA196HH★	MD1077⊕					
12				FA196			FA196HH★	MD1077⊕					
13		DB102/6					FA261HH★	MD1135					
14				FA174			FA174HH	MD1016					
15				FA174			FA174HH	MD1016					
16				FA174			FA174HH	MD1016					
17				H343									
18				H343									
19				FA069/3			FA069/3HH	MD1082					BLM1100-1R
20													
21				FA069/3			FA069/3HH	MD1082					
22							FA636HH						
23							FA488HH	MD1175					
24							FA488HH	MD1175					
25							FA636HH	MD1175					
26							FA636HH	MD1175					
27							FA636HH	MD1175					
28							FA636HH	MD1175					
29				FA254			FA254HH★	MD1016					
30		DB102/6		FA174			FA174HH	MD1174	MD1174C				
31		DB102/6		FA174			FA174HH	MD1174	MD1174C				
32		DB102/6	BLM1007-3F	FA254			FA254HH★	MD1016					
33			BLM1008-3F	FA174			FA174HH	MD1006					
34		DB102/6		FA174			FA174HH	MD1174	MD1174C				
35		DB102/6	BLM1009-4F	FA174			FA174HH	MD1174	MD1174C				
36				FA254			FA254HH★	MD1001					
37		DB102/6					FA261HH★	MD1163⊕					
38		DB102/6					FA261HH★	MD1163⊕					
39		DB102/6					FA261HH★	MD1163⊕					
40		DB102/6					FA261HH★	MD1163⊕					
41		DB102/6					FA261HH★	MD1163⊕					
42							FA261/2HH★						
43				FA174			FA174HH						
44				FA174			FA174HH						
45				FA174			FA174HH	MD1159					
46				FA174			FA174HH	MD1159					
47		DB102/6	BLM1094-3F	FA196			FA196HH★	MD1077⊕					
48		DB102/6	BLM1094-3F	FA196			FA196HH★	MD1148					
49				FA069/3			FA069/3HH	MD1077⊕					
50			BLM1101-4FR	FA069/3			FA069/3HH	MD1127⊕					
51							FA388/2HH						
52							FA388/2HH						
53							FA388/2HH						
54							FA388/2HH						
55		DB102/6					FA261/2HH★						
56		DB102/6					FA261/2HH★						
57							FA388/2HH						
58							FA388/2HH						
59		DB102/6					FA261HH★	MD1148					
60				H352									

REAR / ARRIÈRE / HINTEN / POSTERIOR / POSTERIORE

*-2 Sets Required. † For Vee disc colours add RED, BLU, GRN, GLD, ORG suffix to part number.

⊕ - Also available as a Vintage Motorcycle Disc. ★ - EPFA available. ⊕ - Disc made of Billet steel. ◆ - CE solid discs for Enduro use.

Part numbers, prefixes, suffixes, photos and illustrations shown in this catalogue are trademarks and/or copyrights of EBC Brakes or the trademark owner A C Freeman Investments Ltd and use without express written permission of the owners is punishable by law.

R Suffix = High Durability Sintered Pad. HH Suffix = High Performance Sintered Pad. TT Suffix = Hard Wearing Off Road Pad. V Suffix = Semi Sintered Pad. G Suffix = Grooved Shoe. D Suffix = Drilled Disc. X Suffix = Universal Left or Right Floating Disc. XC Suffix = Contoured Floating Disc. LS Suffix = Left/Steel Disc. RS = Right/Steel Disc.

JAPANESE Built Motorcycles



KAWASAKI



DISC PAD CHOICES - FRONT

BRAKE DISC CHOICES - FRONT

FRONT / AVANT / VORN / FRENTE / ANTERIORE

FA, SFA, TT Pad or Brake Shoe	SFAC Carbon Scooter Pads	Speciality Pads - SXR / Vee / MXS	Sintered/HH Pads/ Grooved Shoes	Standard Replacement Discs	Contour Disc Universal Left and Right	Vee-Discs Black † See note below	CX Extreme Disc / UTVX Disc	OSX Oversize 250mm or 280mm
AE 50 A1/A2			S603G					
AR 50 C2-C10			FA083TT		MD4040LS			
KDX 50 A1 - A3			S613					
KFX 50			H338*					
KFX 50 KSF			S614*					
KFX 50 KSF			H338*					
KMX 50 KSR I			FA083/2TT					
KX 60			K715					
KX 65		MXS302	FA302TT		MD6166D		MD6166CX	
AE 80			S603					
AR 80			FA083TT		MD4040LS			
KFX 80 KSF			S614*					
KMX 80 KSR II			FA083/2TT					
KX 80			K701					
KX 80			K714					
KX 80			FA083TT		MD6027D			
KX 80			FA083TT		MD6027D			
KX 80			FA083TT		MD6026D			
KX 80			FA258TT		MD6026D			
KX 85 BW			FA258TT		MD6186D		MD6186CX	OSX6186
KX 85 SW			FA258TT		MD6186D		MD6186CX	OSX6186
KFX 90			H338*					
KC 100			S603					
KE 100			S603					
KH 100 A			S602					
KH 100 EX			FA067		FA067HH			
KH 100 G			FA048		MD4105LS			
KH 100 G4			FA067		FA067HH			
KM 100			S603					
KX 100			FA083TT		FA083R			
KX 100			FA083TT		FA083R			
KX 100			FA258TT		FA258R			
KLF 110 Mojave			S603					
KLX 110 L			K715					
KLX 110 R			K715					
Kaze-r 112cc			FA197		FA197HH			
AR 125			FA067		FA067HH			
BN 125 Eliminator			FA054TT		FA054HH			
BN 125 Eliminator			FA197		FA197HH			
J 125 SC		SFAC142	SFA142			VR9128		
J 125 SE - SC		SFAC142	SFA142			VR9128		
KDX 125			FA083TT		FA083R		MD6083D	MD6083CX
KE 125 A			K704		K704G			
KH 125			FA039					
KH 125			FA054TT		FA054HH			
KH 125 K			FA067		FA067HH			
KH 125 L1 EX			FA067		FA067HH		MD4105LS	
KLX 125			S604		S604G			
KLX 125		MXS135	FA135TT		FA135R			
KLX 125 D-Tracker		MXS135	FA135TT		FA135R			
KLX 125 L			FA230TT		FA230R		MD6212D	
KMX 125			FA083TT		FA083R		MD6106D	
KMX 125 B			FA230TT		FA230R		MD6106D	
KX 125			K704		K704G			
KX 125			FA083TT		FA083R			
KX 125			FA067TT		FA067R			
KX 125			FA067TT		FA067R		MD6036D	
KX 125			FA067TT		FA067R		MD6036D	
KX 125			FA130TT		FA130R		MD6036D	
KX 125		MXS135	FA135TT		FA135R		MD6015D	MD6015CX

Line #
1
2
3
4
5
6
7
8
9
10
11
12
13
14
15
16
17
18
19
20
21
22
23
24
25
26
27
28
29
30
31
32
33
34
35
36
37
38
39
40
41
42
43
44
45
46
47
48
49
50
51
52
53
54
55
56
57
58
59
60

R Suffix = High Durability Sintered Pad. HH Suffix = High Performance Sintered Pad. TT Suffix = Hard Wearing Off Road Pad. V Suffix = Semi Sintered Pad. G Suffix = Grooved Shoe.
D Suffix = Drilled Disc. X Suffix = Universal Left or Right Floating Disc. XC Suffix = Contoured Floating Disc. LS Suffix = Left/Steel Disc. RS = Right/Steel Disc.

*-2 Sets Required. † For Vee disc colours add RED, BLU, GRN, GLD, ORG suffix to part number.

⊗ - Also available as a Vintage Motorcycle Disc. ★ - EPFA available. ⚙ Disc made of Billet steel. ♦ CE solid discs for Enduro use.

JAPANESE Built Motorcycles

BRAKE APPLICATIONS

Line #	BRAKE DISC CHOICES - FRONT			DISC PAD CHOICES - REAR				BRAKE DISC CHOICES - REAR					
	SMX Oversize 320mm Disc Kit Front Left	Front disc bolt kit	Front Brake Line	FA, SFA, TT Pad or Brake Shoe	SFAC Carbon Scooter Pads	Speciality Pads - SXR / Vee / MXS	Sintered HH/R Pads/ Grooved Shoes	Standard Replacement Disc	Contour Disc Rear Fitment	Vee Discs CONTOUR	CX Extreme MX Race Disc / UTVX Disc	Rear disc bolt kit	Rear Brake Line
1				S603			S603G						
2				S603									
3				S613			S613G						
4				FA305			FA305R	MD6267D					
5				S604			S604G						
6				FA305			FA305R	MD6267D					
7				FA067TT									
8				K715			K715G						
9		DB403/4		FA054TT		MXS054	FA054R	MD6166D			MD6166CX	DB403/4	
10				S603			S603G						
11				S603									
12				S618			S618G						
13				FA067TT									
14				K701			K701G						
15				K715			K715G						
16		DB403/6		K715			K715G						
17		DB403/6		FA084TT			FA084R	MD6025D					
18		DB403/6		FA084TT			FA084R	MD6025D					
19		DB403/6		FA084TT			FA084R	MD6025D					
20		DB403/6		FA084TT			FA084R	MD6187D			MD6187CX	DB403/4	
21		DB403/6	BLM6017-1F	FA084TT			FA084R	MD6187D			MD6187CX	DB403/4	
22				FA305			FA305R	MD6267D					
23				S603									
24				S603			S603G						
25				S603									
26				S602									
27				S603									
28				S603									
29				S603			S603G						
30		DB403/6		FA084TT			FA084R	MD6025D				DB403/4	
31		DB403/6		FA084TT			FA084R	MD6025D				DB403/4	
32		DB403/6	BLM6017-1F	FA085			FA084R	MD6025D				DB403/4	
33				S602			S602G						
34				S603			S603G						
35				S603			S603G						
36				S603									
37				S602									
38				S602									
39				S602									
40				SFA498	SFAC498		SFA498HH	MD9129D		VR9129			
41				SFA498	SFAC498		SFA498HH	MD9129D		VR9129			
42		DB401/4	BLM4032-1F	FA152TT			FA152R	MD6105D			MD6105CX		
43				S603			S602G						
44				K703									
45				S602									
46				S602									
47				S602									
48				S604			S604G						
49				FA054TT		MXS054	FA054R		MD6362C				
50				FA054TT		MXS054	FA054R		MD6362C				
51				S604			S604G						
52				FA067			FA067R	MD6107D					
53			BLM4050-1F	FA067			FA067R	MD6107D					
54				S602			S602G						
55				S602			S602G						
56				K702			K702G						
57				K702			K702G						
58				FA067TT			FA067R	MD6161D					
59				FA067TT			FA067R	MD6161D					
60		DB401/4		FA152TT			FA152R	MD6024D			MD6024CX	DB402/6	

REAR / ARRIÈRE / HINTEN / POSTERIOR / POSTERIORE

R Suffix = High Durability Sintered Pad. **HH** Suffix = High Performance Sintered Pad. **TT** Suffix = Hard Wearing Off Road Pad. **V** Suffix = Semi Sintered Pad. **G** Suffix = Grooved Shoe. **D** Suffix = Drilled Disc. **X** Suffix = Universal Left or Right Floating Disc. **XC** Suffix = Contoured Floating Disc. **LS** Suffix = Left/Steel Disc. **RS** = Right/Steel Disc.

*-2 Sets Required. † For Vee disc colours add RED, BLU, GRN, GLD, ORG suffix to part number.

⊙ - Also available as a Vintage Motorcycle Disc. ★ - EPFA available. ⚙ Disc made of Billet steel. ♦ CE solid discs for Enduro use.

Part numbers, prefixes, suffixes, photos and illustrations shown in this catalogue are trademarks and/or copyrights of EBC Brakes or the trademark owner A C Freeman Investments Ltd and use without express written permission of the owners is punishable by law.

JAPANESE Built Motorcycles



KAWASAKI Contd.



DISC PAD CHOICES - FRONT

BRAKE DISC CHOICES - FRONT

R Suffix = High Durability Sintered Pad. HH Suffix = High Performance Sintered Pad. TT Suffix = Hard Wearing Off Road Pad. V Suffix = Semi Sintered Pad. G Suffix = Grooved Shoe.
D Suffix = Drilled Disc. X Suffix = Universal Left or Right Floating Disc. XC Suffix = Contoured Floating Disc. LS Suffix = Left/Steel Disc. RS = Right/Steel Disc.

FRONT / AVANT / VORN / VORN / FRENTE / ANTERIORE

		FA, SFA, TT Pad or Brake Shoe	SFAC Carbon Scooter Pads	Speciality Pads - SXR / Vee / MXS	Sintered/HH Pads/ Grooved Shoes	Standard Replacement Discs	Contour Disc Universal Left and Right	Vee-Discs Black † See note below	CX Extreme Disc / UTVX Disc	OSX Oversize 250mm or 280mm	Line #
KX 125 K/L	1995-2002	FA185TT		MXS185	FA185R	MD6015D			MD6015CX	OSX6015	1
KX 125 K1	1994	FA185TT		MXS185	FA185R	MD6015D			MD6015CX	OSX6015	2
KX 125 M	2003-2005	FA185TT		MXS185	FA185R	MD6213D	MD6213C		MD6213CX	OSX6015	3
KX 125 M	2006-2008	FA185TT		MXS185	FA185R	MD6264D			MD6264CX	OSX6015	4
Ninja 125	2019-2024	FA197			FA197HH		MD4166XC	VR4166BLK			5
Z 125 Performance	2016-2023	FA197			FA197HH		MD4166XC	VR4166BLK			6
Z 125 Pro	2016-2020	FA691			FA691HH					OSX4171	7
Z 125 Pro SE	2018-2020	FA691			FA691HH					OSX4171	8
ZX 130 R	2008-2010	SFA197	SFAC197		SFA197HH						9
KLX 140	2008-2020	FA135TT		MXS135	FA135R	MD6328C					10
KLX 140 F	2024	FA135TT		MXS135	FA135R	MD6328C					11
KLX 140 G	2017-2020	FA135TT		MXS135	FA135R	MD6328C					12
KLX 140 L	2008-2024	FA135TT		MXS135	FA135R	MD6328C					13
KLX 150 D-Tracker	2016	FA135TT		MXS135	FA135R						14
KLX 150 L	2014-2015	FA135TT		MXS135	FA135R						15
SC 150 A1 Epsilon	2002	SFA396			SFA396HH	MD934D					16
BN 175 Boss 175	2002										17
KDX 175 A	1980-1982	K704			K704G						18
KE 175 B	1976-1978	K704			K704G						19
KE 175 D	1979-1983	K704			K704G						20
KLF 185 Bayou	1987										21
KDX 200 A	1983-1985	K703			K703G						22
KDX 200 C	1986-1988	FA067TT			FA067R	MD6036D					23
KDX 200 E	1989-1992	FA067TT			FA067R	MD6036D					24
KDX 200 E	1993-1994	FA135TT		MXS135	FA135R	MD6015D			MD6015CX		25
KDX 200 H	1995-1999	FA185TT		MXS185	FA185R	MD6083D			MD6083CX		26
KDX 200 SR	1989-1992	FA135TT		MXS135	FA135R	MD6036D					27
KDX 200 SR	1990	FA135TT		MXS135	FA135R	MD6036D					28
KDX 200 SR	1991	FA135TT		MXS135	FA135R	MD6036D					29
KDX 200 SR	1992	FA135TT		MXS135	FA135R	MD6036D					30
KLT 200	1981-1984	S603			S603G						31
KMX 200	1988-1992	FA083TT			FA083R	MD6057D					32
Z 200 A1-A5	1977-1982	FA039									33
Z 200 A6	1983	FA067			FA067HH						34
KDX 220 R	1997-2006	FA185TT		MXS185	FA185R	MD6083D			MD6083CX		35
KDX 220 SR	1989-1991	FA185TT		MXS185	FA185R	MD6083D			MD6083CX		36
KLF 220 Bayou	1988-2002	K705*			K705G*						37
KLX 230	2019-2020	FA135TT		MXS135	FA135R						38
KLX 230 R	2019-2020	FA135TT		MXS135	FA135R						39
250 SIB	1975	K711									40
BJ 250 Estrella	1992-1999	FA067			FA067HH						41
BJ 250 Estrella Custom	1996-2002	S612									42
BJ 250 Estrella RS	1999-2002	FA067			FA067HH						43
BJ 250 Estrella RS Custom	1996-1999	S612									44
BJ 250 TR	2002-2003	FA231			FA231HH★						45
EL 250 D	1990-1994	FA085			FA085HH	MD4002LS					46
EL 250 Eliminator	1987-1989	FA085			FA085HH	MD4002RS					47
EL 250 F Eliminator	1996-2003	FA085			FA085HH	MD4002RS					48
ER 250 T Scorpion	1983-1988	FA085			FA085HH	MD4099					49
EX 250 Ninja R	2008-2012	FA197			FA197HH		MD4162XC				50
GPX 250 R II EX G	1988	FA141*									51
GPX 250 R ZX F	1986	FA085			FA085HH	MD4002LS					52
GPX 250 R ZX F	1987	FA129			FA129HH	MD4041RS					53
GPX 250 R ZX F	1988-1995	FA129			FA129HH	MD4041RS					54
KDX 250 B	1979	K705			K705G						55
KDX 250 B	1980-1984	K705			K705G						56
KDX 250 D	1991-1993	FA135TT		MXS135	FA135R	MD6083D			MD6083CX		57
KDX 250 SR F1	1991	FA135TT		MXS135	FA135R	MD6083D			MD6083CX		58
KH 250 B	1977-1982	FA033									59
KL 250 A	1980-1984	K704			K704G						60

*-2 Sets Required. † For Vee disc colours add RED, BLU, GRN, GLD, ORG suffix to part number.

⊗ - Also available as a Vintage Motorcycle Disc. ★ - EPFA available. ⚙ Disc made of Billet steel. ♦ CE solid discs for Enduro use.

JAPANESE Built Motorcycles

BRAKE APPLICATIONS

Line #	BRAKE DISC CHOICES - FRONT			DISC PAD CHOICES - REAR				BRAKE DISC CHOICES - REAR					
	SMX Oversize 320mm Disc Kit Front Left	Front disc bolt kit	Front Brake Line	FA, SFA, TT Pad or Brake Shoe	SFAC Carbon Scooter Pads	Speciality Pads - SXR / Vee / MXS	Sintered HH/R Pads/ Grooved Shoes	Standard Replacement Disc	Contour Disc Rear Fitment	Vee Discs CONTOUR	CX Extreme MX Race Disc / UTVX Disc	Rear disc bolt kit	Rear Brake Line
1	SMX6015	DB401/4		FA131TT		MXS131	FA131R	MD6024D			MD6024CX	DB402/6	
2	SMX6015	DB401/4		FA152TT			FA152R	MD6024D			MD6024CX	DB402/6	
3	SMX6015	DB403/4	BLM6018-1F	FA131TT		MXS131	FA131R	MD6208D	MD6208C		MD6208CX♦		
4	SMX6015	DB403/4		FA131TT		MXS131	FA131R	MD6208D	MD6208C		MD6208CX♦		
5		DB405/5		FA197			FA197HH		MD4179AC			DB405/3	
6				FA197			FA197HH		MD4179AC				
7				FA054TT			FA054HH		MD4172C				
8				FA054TT			FA054HH		MD4172C				
9				S603									
10				FA054TT		MXS054	FA054R		MD6327C				
11				FA054TT		MXS054	FA054R		TBC				
12				FA054TT		MXS054	FA054R		TBC				
13				FA054TT		MXS054	FA054R		MD6327C				
14				FA054TT		MXS054	FA054R						
15				FA054TT		MXS054	FA054R						
16		DB302/3		S635									
17													
18				S602			S602G						
19				S602			S602G						
20				K703			K703G						
21				K706			K706G						
22		DB401/4		K702			K702G					DB402/6	
23		DB401/4		K702			K702G					DB402/6	
24		DB401/4		FA152TT			FA152R	MD6024D			MD6024CX	DB402/6	
25		DB401/4		FA152TT			FA152R	MD6024D			MD6024CX	DB402/6	
26		DB401/4		FA152TT			FA152R	MD6105D			MD6015CX	DB402/6	
27		DB401/4		FA152TT			FA152R	MD6105D					
28				FA152TT			FA152R	MD6105D					
29				FA152TT			FA152R	MD6105D					
30				FA152TT			FA152R	MD6105D					
31				K706			K705G						
32				FA067TT			FA067R	MD6108D					
33				S602									
34				S602									
35		DB401/4		FA152TT			FA152R	MD6105D			MD6105CX		
36		DB401/4		FA152TT			FA152R	MD6105D			MD6105CX		
37				K706			K706G						
38				FA054TT		MXS054	FA054R						
39				FA054TT		MXS054	FA054R						
40				K708									
41				FA067			FA067HH						
42				K706									
43				FA067			FA067HH						
44				K706									
45				K706									
46				K706									
47				K706									
48				K706									
49				K706									
50				FA197					MD4163C				
51				FA141				MD4042					
52				FA085			FA085HH	MD4032					
53				FA141				MD4042					
54			BLM4011-1F	FA141				MD4042					
55				S605			S605G						
56				S602			S602G						
57		DB401/4		FA152TT			FA152R	MD6105D			MD6105CX		
58		DB401/4		FA152TT			FA152R	MD6105D			MD6105CX		
59				K709									
60				K704			K703G						

REAR / ARRIÈRE / HINTEN / POSTERIOR / POSTERIORE

R Suffix = High Durability Sintered Pad. **HH** Suffix = High Performance Sintered Pad. **TT** Suffix = Hard Wearing Off Road Pad. **V** Suffix = Semi Sintered Pad. **G** Suffix = Grooved Shoe. **D** Suffix = Drilled Disc. **X** Suffix = Universal Left or Right Floating Disc. **XC** Suffix = Contoured Floating Disc. **LS** Suffix = Left/Steel Disc. **RS** = Right/Steel Disc.

*-2 Sets Required. † For Vee disc colours add RED, BLU, GRN, GLD, ORG suffix to part number.

⊙ - Also available as a Vintage Motorcycle Disc. ★ - EPFA available. Ⓢ Disc made of Billet steel. ♦ CE solid discs for Enduro use.

Part numbers, prefixes, suffixes, photos and illustrations shown in this catalogue are trademarks and/or copyrights of EBC Brakes or the trademark owner A C Freeman Investments Ltd and use without express written permission of the owners is punishable by law.

JAPANESE Built Motorcycles



KAWASAKI Contd.



DISC PAD CHOICES - FRONT

BRAKE DISC CHOICES - FRONT

		FA, SFA, TT Pad or Brake Shoe	SFAC Carbon Scooter Pads	Speciality Pads - SXR / Vee / MXS	Sintered/HH Pads/ Grooved Shoes	Standard Replacement Discs	Contour Disc Universal Left and Right	Vee-Discs Black † See note below	CX Extreme Disc / UTVX Disc	OSX Oversize 250mm or 280mm	Line #
KL 250 A1/A2	1978-1979	K705			K705G						1
KL 250 Stockman	2012-2018	FA258TT			FA258R	MD6239D					2
KL 250 Super Sherpa	1997-2000	FA258TT			FA258R	MD6239D					3
KLE 250 A2 Anhele	1995	FA129			FA129R						4
KLE 250 A3	1997	FA129			FA129R						5
KLE 250 A5/A6	2000-2001	FA129			FA129R						6
KLF 250 Bayou	2003-2011	K705*			K705G*						7
KLR 250 D	1984-2005	FA067			FA067R	MD6057D					8
KLT 250 Prairie	1983-1985	S603			S603G						9
KLX 250 D-Tracker	1998-2003	FA185TT		MXS185	FA185R	MD6240D	MD6240C			OSX6240	10
KLX 250 ES	1994-1997	FA185TT		MXS185	FA185R	MD6091D					11
KLX 250 G1	1994	FA185TT		MXS185	FA185R	MD6091D					12
KLX 250 H1 Super Sherpa	1998	FA258TT			FA258R	MD6239D					13
KLX 250 R	1993-1994	FA185TT		MXS185	FA185R	MD6015D			MD6015CX		14
KLX 250 S	2006-2007	FA185TT		MXS185	FA185R	MD6330D	MD6330C		MD6330CX	OSX6330	15
KLX 250 SF	2009-2020	FA135TT		MXS135	FA135R	MD6330D	MD6330C		MD6330CX	OSX6330	16
KLX 250 SF	2009-2020	FA135TT		MXS135	FA135R		MD6351C			OSX6330	17
KR 250 A1/A2	1984-1986	FA067*			FA067HH*						18
KR-1 B2	1989	FA141*				MD4095X*					19
KR-1S C	1990-1992	FA158*			FA158HH*★	MD4008X*	MD4008XC*	VR4008BLK*†			20
KSF 250 Mojave	1987-2004	FA128TT*			FA128R*	MD6133D*					21
KT 250 All models	1975-1980	K704			K704G						22
KX 250	1974	S602			S602G						23
KX 250 A	1975-1979	K705			K705G						24
KX 250 A	1980-1981	K705			K705G						25
KX 250 B1	1982	FA083TT			FA083R						26
KX 250 C1/C2	1983-1984	FA067TT			FA067R						27
KX 250 D1	1985	FA067TT			FA067R	MD6036D					28
KX 250 D2	1986	FA067TT			FA067R	MD6036D					29
KX 250 E	1987-1988	FA130TT			FA130R	MD6036D					30
KX 250 F	2004-2005	FA185TT		MXS185	FA185R	MD6213D	MD6213C		MD6213CX	OSX6213	31
KX 250 F	2006-2008	FA185TT		MXS185	FA185R	MD6264D	MD6264C		MD6264CX	OSX6264	32
KX 250 F	2009-2014	FA185TT		MXS185	FA185R		MD6264C		MD6264CX	OSX6264	33
KX 250 F	2015-2018	FA185TT		MXS185	FA185R		MD6388C		MD6388CX	OSX6264	34
KX 250 F	2019-2024	FA181TT		MXS181	FA181R		MD6388C		MD6388CX	OSX6264	35
KX 250 F 40th Anniversary Edition	2024	FA181TT		MXS181	FA181R		MD6388C		MD6388CX	OSX6264	36
KX 250 F X Enduro 4T	2021-2023	FA185TT		MXS185	FA185R		MD6388C		MD6388CX		37
KX 250 G/H/J	1989-1993	FA135TT		MXS135	FA135R	MD6015D			MD6015CX		38
KX 250 K	1994	FA185TT		MXS185	FA185R	MD6015D			MD6015CX	OSX6015	39
KX 250 K	1995-2002	FA185TT		MXS185	FA185R	MD6015D			MD6015CX	OSX6015	40
KX 250 M	2003-2005	FA185TT		MXS185	FA185R	MD6213D	MD6213C		MD6213CX	OSX6213	41
KX 250 R	2006-2008	FA185TT		MXS185	FA185R	MD6264D	MD6264C		MD6264CX	OSX6264	42
KXF 250 Tecate 4	1987-1988	FA128TT*			FA128R*	MD6133D*					43
KXT 250 A1 Tecate	1984	K705			K705G						44
KXT 250 A2 Tecate	1985	FA067TT			FA067R						45
KXT 250 B1 Tecate	1986	FA067TT			FA067R	MD6138D					46
KXT 250 B2 Tecate	1987	FA067TT			FA067R	MD6138D					47
Ninja 250 SL BX	2015-2016	FA197			FA197HH	MD4166C	MD4166XC				48
Ninja 250 SL BX KRT Edition	2015-2016	FA197			FA197HH	MD4166C	MD4166XC				49
S1 250cc	1973-1975	K711									50
SC 250 Epsilon	2002	SFA283/4	SFAC283/4		SFA283/4HH	MD929D		VR929			51
Z 250 A	1978-1980	FA073									52
Z 250 A3	1981	FA068			FA068HH	MD4010LS					53
Z 250 B	1980-1983	K711									54
Z 250 C/G	1981-1983	K711									55
Z 250 SL BR	2015-2017	FA197			FA197HH	MD4166C	MD4166XC				56
Z 250 SL BR	2015-2016	FA197			FA197HH	MD4166C	MD4166XC				57
ZR 250 B6 Balius-II	2002	FA231			FA231HH★	MD4008X	MD4008XC	VR4008BLK			58
ZR 250 Balius	1991-1995	FA129			FA129HH	MD4008X	MD4008XC	VR4008BLK			59
ZX-25 Ninja	2020-2023				FA379HH★						60

FRONT / AVANT / VORN / FRENTE / ANTERIORE

R Suffix = High Durability Sintered Pad. HH Suffix = High Performance Sintered Pad. TT Suffix = Hard Wearing Off Road Pad. V Suffix = Semi Sintered Pad. G Suffix = Grooved Shoe.

D Suffix = Drilled Disc. X Suffix = Universal Left or Right Floating Disc. XC Suffix = Contoured Floating Disc. LS Suffix = Left/Steel Disc. RS = Right/Steel Disc.

*-2 Sets Required. † For Vee disc colours add RED, BLU, GRN, GLD, ORG suffix to part number.

⊗ - Also available as a Vintage Motorcycle Disc. ★ - EPFA available. ⚙ Disc made of Billet steel. ♦ CE solid discs for Enduro use.

JAPANESE Built Motorcycles

BRAKE APPLICATIONS

Line #	BRAKE DISC CHOICES - FRONT			DISC PAD CHOICES - REAR				BRAKE DISC CHOICES - REAR					
	SMX Oversize 320mm Disc Kit Front Left	Front disc bolt kit	Front Brake Line	FA, SFA, TT Pad or Brake Shoe	SFAC Carbon Scooter Pads	Speciality Pads - SXR / Vee / MXS	Sintered HH/R Pads/ Grooved Shoes	Standard Replacement Disc	Contour Disc Rear Fitment	Vee Discs CONTOUR	CX Extreme MX Race Disc / UTVX Disc	Rear disc bolt kit	Rear Brake Line
1				S606			S605G						
2				FA067TT			FA067R	MD6107D					
3				FA067TT			FA067R	MD6107D					
4				FA067/3									
5				FA067/3									
6				FA067/3									
7				K706			K706G						
8			BLM4045-1F	K703			K703G						
9				K705			K705G						
10	SMX6240			FA131TT		MXS131	FA131R	MD6105D					
11		DB402/4		FA152TT		MXS152	FA152R	MD6085D					
12		DB402/4		FA152TT		MXS152	FA152R	MD6085D					
13				FA067TT			FA067R	MD6107D					
14		DB401/4		FA152TT		MXS152	FA152R	MD6085D					
15	SMX6330			FA131TT		MXS131	FA131R	MD6105D			MD6105CX		
16	SMX6330			FA131TT		MXS131	FA131R		MD6352C				
17	SMX6330			FA131TT		MXS131	FA131R		MD6326C				
18				FA085			FA085HH						
19			BLM4051-3F	FA141				MD4096					
20		DB405/5	BLM4051-3F	FA141				MD4096					
21				FA084TT			FA084R	MD6132D					
22				S602			S602G						
23				S605			S605G						
24				S605			S605G						
25				S605			S605G						
26				S602			S602G						
27				S602			S602G						
28				S602			S602G						
29				FA067TT			FA067R	MD6161D					
30				FA067TT			FA067R	MD6161D					
31	SMX6213	DB403/4	BLM6018-1F	FA367TT		MXS367	FA367R	MD6208D	MD6208C		MD6208CX♦		
32	SMX6264	DB403/4	BLM6021-1F	FA367TT		MXS367	FA367R	MD6208D	MD6208C		MD6208CX♦		
33	SMX6264	DB403/4	BLM6023-1F	FA367TT		MXS367	FA367R		MD6208C		MD6208CX♦		
34	SMX6264	DB403/4		FA367TT		MXS367	FA367R		MD6208C		MD6208CX♦		
35	SMX6264			FA367TT		MXS367	FA367R		MD6208C		MD6208CX♦		
36	SMX6264			FA367TT		MXS367	FA367R		MD6208C		MD6208CX♦		
37	SMX6264			FA367TT		MXS367	FA367R		MD6208C		MD6208CX♦		
38		DB401/4		FA152TT			FA152R	MD6024D			MD6024CX	DB402/6	
39	SMX6015	DB401/4		FA152TT			FA152R	MD6024D			MD6024CX	DB402/6	
40	SMX6015	DB401/4		FA131TT		MXS131	FA131R	MD6024D			MD6024CX	DB402/6	
41	SMX6213	DB403/4		FA131TT		MXS131	FA131R	MD6208D	MD6208C		MD6208CX♦		
42	SMX6264	DB403/4	BLM6019-1F	FA131TT		MXS131	FA131R	MD6208D	MD6208C		MD6208CX♦		
43				FA083TT			FA083R	MD6136D					
44				FA083TT			FA083R						
45				FA067TT			FA067R						
46				FA067TT			FA067R	MD6138D					
47				FA084TT			FA084R	MD6134D					
48				FA197			FA197HH		MD4179AC			DB405/3	
49				FA197			FA197HH		MD4179AC			DB405/3	
50				K709									
51				SFA323/3			SFA323/3HH	MD930D		VR930			
52			BLM4091-1F	FA161									
53			BLM4091-1F	FA161			FA161HH						
54				K706									
55				S603									
56				FA197			FA197HH		MD4163C				
57				FA197			FA197HH		MD4163C				
58				FA068			FA067HH	MD4051	MD4051C				
59				FA067/3				MD4051	MD4051C				
60				FA174			FA174HH						

REAR / ARRIÈRE / HINTEN / POSTERIOR / POSTERIORE

R Suffix = High Durability Sintered Pad. **HH** Suffix = High Performance Sintered Pad. **TT** Suffix = Hard Wearing Off Road Pad. **V** Suffix = Semi Sintered Pad. **G** Suffix = Grooved Shoe. **D** Suffix = Drilled Disc. **X** Suffix = Universal Left or Right Floating Disc. **XC** Suffix = Contoured Floating Disc. **LS** Suffix = Left/Steel Disc. **RS** = Right/Steel Disc.

*-2 Sets Required. † For Vee disc colours add RED, BLU, GRN, GLD, ORG suffix to part number.

⊙ - Also available as a Vintage Motorcycle Disc. ★ - EPFA available. Ⓢ Disc made of Billet steel. ♦ CE solid discs for Enduro use.

Part numbers, prefixes, suffixes, photos and illustrations shown in this catalogue are trademarks and/or copyrights of EBC Brakes or the trademark owner A C Freeman Investments Ltd and use without express written permission of the owners is punishable by law.

JAPANESE Built Motorcycles



KAWASAKI Contd.



DISC PAD CHOICES - FRONT

BRAKE DISC CHOICES - FRONT

FRONT / AVANT / VORN / FRENTE / ANTERIORE

FA, SFA, TT Pad or Brake Shoe	SFAC Carbon Scooter Pads	Speciality Pads - SXR / Vee / MXS	Sintered/HH Pads/ Grooved Shoes	Standard Replacement Discs	Contour Disc Universal Left and Right	Vee-Discs Black † See note below	CX Extreme Disc / UTVX Disc	OSX Oversize 250mm or 280mm
ZXR 250	1989-1990			FA141*	MD4008X*	MD4008XC*	VR4008BLK*†	
ZXR 250 C	1991-1995			FA141*	MD4149LS			
	Left							
	Right							
ZXR 250 R	1991-1995				MD4149RS			
	Left			FA141*	MD4149LS			
	Right				MD4149RS			
ZXR 250 R	1989-1990			FA141*	MD4008X*	MD4008XC*	VR4008BLK*†	
ZZR 250 EX 250 H	1990-2001		FA129HH	FA129	MD4008X	MD4008XC	VR4008BLK	
J300	2014-2016	SFA142	SFAC142	SFA142HH			VR9128	
J300	2014-2020	SFA142	SFAC142	SFA142HH			VR9128	
J300 Special Edition	2014-2016	SFA142	SFAC142	SFA142HH			VR9128	
J300 Special Edition	2014-2020	SFA142	SFAC142	SFA142HH			VR9128	
KAF 300 Mule 500	1995-1996	S628*		S628G*				
KAF 300 Mule 550	1997-2004	S628*		S628G*				
KEF 300 Lakota Sport	2001-2003	FA128TT*		FA128R*	MD6133D*			
KLE 300 Versys-X	2017-2020	FA142		FA142HH		MD4166XC	VR4166BLK	
KLE 300 Versys-X	2017-2020	FA142		FA142HH		MD4166XC	VR4166BLK	
KLF 300 Bayou	1986-1987	K717*		K717G*				
KLF 300 Bayou	1988-2004	FA067*		FA067R*	MD6133D*			
KLF 300 Bayou	1989-2005	FA165TT		FA165R	MD6131D*			
	Left							
	Right							
KLX 300 A	1989-2005	FA135TT		MXS135	FA135R			
KLX 300 R	2019-2020	FA185TT		MXS185	FA185R	MD6015D		MD6015CX
KVF 300 Brute Force	2012-2017	FA135TT		MXS135	FA135R			
KVF 300 Prairie 2 x 4	1999-2002	FA377TT*		FA377R*	MD6267D*			
KVF 300 Prairie 4 x 4	1999-2002	FA054TT*		FA054R*	MD6131D*			
Ninja 300 ER	2015-2016	FA054TT*		FA054R*	MD6131D*			
Ninja 300 ER	2015-2016	FA197		FA197HH	MD4166C	MD4166XC	VR4166BLK	
Ninja 300 EX	2013-2015	FA197		FA197HH	MD4166C	MD4166XC	VR4166BLK	
Ninja 300 EX	2013-2016	FA197		FA197HH	MD4166C	MD4166XC	VR4166BLK	
Ninja 300 EX	2013-2016	FA197		FA197HH	MD4166C	MD4166XC	VR4166BLK	
Ninja 300 EX	2014-2016	FA197		FA197HH	MD4166C	MD4166XC	VR4166BLK	
Ninja 300 EX	2014-2018	FA197		FA197HH	MD4166C	MD4166XC	VR4166BLK	
GPZ 305 A/B	1983-1996	FA067*		FA067HH*	MD4105LS			
	Left							
	Right				MD4105RS			
S2 350cc 2T	1972-1973	K711						
S2-A 350cc 2T	1972-1973	FA033						
KVF 360 A	2003-2013	FA054TT*		FA054R*	MD6188D*		UTVX6188*	
KVF 360 B	2003-2009	FA054TT*		FA054R*	MD6188D*		UTVX6188*	
KVF 360 Prairie All models	2003-2008	FA054TT*		FA054R*	MD6188D*		UTVX6188*	
FX 400 R ZX	1986-1988	FA067*		FA067HH*	MD4135LS			
	Left							
	Right				MD4135RS			
GPX 400 R ZX F1	1987	FA141*			MD4140LS			
	Left							
	Right				MD4140RS			
GPZ 400 R D4	1988	FA141*			MD4143LS			
	Left							
	Right				MD4143RS			
GPZ 400 R ZX	1985-1987	FA067*		FA067HH*	MD4135LS			
	Left							
	Right				MD4135RS			
KAF 400 Mule 600	2006-2016	K718*						
KAF 400 Mule 610 4 x 4	2011-2016	K718*						
KAF 400 Mule 610 4 x 4	2006-2010	K718*						
KAF 400 Mule SX 4 x 4 All Models	2017-2021	K718*						
KH 400 A	1976-1978	FA033						
KLF 400 Bayou	1993-1999	FA165TT		MXS165	FA165R	MD6131D*		
	Left							
	Right							
KLX 400 R	2003-2004	FA135TT		MXS135	FA135R			
KSF 400 KFX	2003-2006	FA185TT		MXS185	FA185R	MD6017D		MD6017CX
KVF 400 Prairie	1997-1998	FA084TT*		MXS084*	FA084R*	MD6210D*		OSX6017
KVF 400 Prairie 2 x 4	1999-2001	FA054TT*		FA054R*	MD6131D*			
KVF 400 Prairie 4 x 4	1999-2002	FA054TT*		FA054R*	MD6131D*			
Ninja 400 EX	2017-2023	FA197		FA197HH	MD4174X	MD4174XC	VR4174BLK	
Ninja 400 EX KRT	2018-2021	FA197		FA197HH	MD4174X	MD4174XC	VR4174BLK	

Line #
1
2
3
4
5
6
7
8
9
10
11
12
13
14
15
16
17
18
19
20
21
22
23
24
25
26
27
28
29
30
31
32
33
34
35
36
37
38
39
40
41
42
43
44
45
46
47
48
49
50
51
52
53
54
55
56
57
58
59
60

R Suffix = High Durability Sintered Pad. HH Suffix = High Performance Sintered Pad. TT Suffix = Hard Wearing Off Road Pad. V Suffix = Semi Sintered Pad. G Suffix = Grooved Shoe.
D Suffix = Drilled Disc. X Suffix = Universal Left or Right Floating Disc. XC Suffix = Contoured Floating Disc. LS Suffix = Left/Steel Disc. RS = Right/Steel Disc.

*-2 Sets Required. † For Vee disc colours add RED, BLU, GRN, GLD, ORG suffix to part number.

⊗ - Also available as a Vintage Motorcycle Disc. ★ - EPFA available. ⚙ Disc made of Billet steel. ♦ CE solid discs for Enduro use.

40 Part numbers, prefixes, suffixes, photos and illustrations shown in this catalogue are trademarks and/or copyrights of EBC Brakes or the trademark owner A C Freeman Investments Ltd and use without express written permission of the owners is punishable by law.

JAPANESE Built Motorcycles

BRAKE APPLICATIONS

Line #	BRAKE DISC CHOICES - FRONT			DISC PAD CHOICES - REAR				BRAKE DISC CHOICES - REAR					
	SMX Oversize 320mm Disc Kit Front Left	Front disc bolt kit	Front Brake Line	FA, SFA, TT Pad or Brake Shoe	SFAC Carbon Scooter Pads	Speciality Pads - SXR / Vee / MXS	Sintered HH/R Pads/ Grooved Shoes	Standard Replacement Disc	Contour Disc Rear Fitment	Vee Discs CONTOUR	CX Extreme MX Race Disc / UTVX Disc	Rear disc bolt kit	Rear Brake Line
1		DB405/5		FA141				MD4051	MD4051C				
2									MD4051C				
3				FA067/3				MD4051					
4									MD4051C				
5				FA067/3				MD4051					
6		DB405/5		FA141				MD4051	MD4051C				
7			BLM4178-1F	FA067/3				MD4117					
8				SFA498	SFAC498		SFA498HH	MD9129D		VR9129			
9				SFA498	SFAC498		SFA498HH	MD9129D		VR9129			
10				SFA498	SFAC498		SFA498HH	MD9129D		VR9129			
11				SFA498	SFAC498		SFA498HH	MD9129D		VR9129			
12				K718*									
13				K718*									
14				FA084TT			FA084R	MD6132D					
15		DB405/5		FA197			FA197HH		MD4179AC			DB405/3	
16		DB405/5		FA197			FA197HH					DB405/3	
17				K706			K706G						
18				K706			K706G						
19				K710			K710G						
20													
21		DB401/4	BLM4048-1F	FA131TT		MXS131	FA131R	MD6105D			MD6105CX		
22				FA131TT		MXS131	FA131R						
23				FA377TT			FA377R	MD6267D					
24				K710			K710G						
25				K710			K710G						
26		DB405/5		FA197			FA197HH		MD4163C				
27		DB405/5		FA197			FA197HH		MD4179AC				
28		DB405/5		FA197			FA197HH		MD4163C	VR4163		DB405/3	
29		DB405/5		FA197			FA197HH		MD4179AC			DB405/3	
30		DB405/5		FA197			FA197HH		MD4163C	VR4163		DB405/3	
31		DB405/5		FA197			FA197HH		MD4179AC			DB405/3	
32				K706									
33													
34				K708									
35				K708									
36													
37													
38													
39				FA085									
40							FA085HH	MD4015					
41				FA129				MD4027					
42													
43				FA129									
44													
45				FA085									
46							FA085HH	MD4015					
47				K719*									
48				K719*									
49				K719*									
50				K719*									
51				K708									
52				K710			K710G						
53													
54	SMX6017			FA131TT		MXS131	FA131R	MD6014D			MD6014CX		
55		DB302/3		FA137TT			FA137R	MD6211D					
56				K710			K710G						
57				K710			K710G						
58				K710			K710G						
59				FA197			FA197HH		MD4179AC				
60				FA197			FA197HH		MD4179AC				

REAR / ARRIÈRE / HINTEN / POSTERIOR / POSTERIORE

R Suffix = High Durability Sintered Pad. **HH** Suffix = High Performance Sintered Pad. **TT** Suffix = Hard Wearing Off Road Pad. **V** Suffix = Semi Sintered Pad. **G** Suffix = Grooved Shoe. **D** Suffix = Drilled Disc. **X** Suffix = Universal Left or Right Floating Disc. **XC** Suffix = Contoured Floating Disc. **LS** Suffix = Left/Steel Disc. **RS** = Right/Steel Disc.

*-2 Sets Required. † For Vee disc colours add RED, BLU, GRN, GLD, ORG suffix to part number.

⊙ - Also available as a Vintage Motorcycle Disc. ★ - EPFA available. Ⓢ Disc made of Billet steel. ◆ CE solid discs for Enduro use.

Part numbers, prefixes, suffixes, photos and illustrations shown in this catalogue are trademarks and/or copyrights of EBC Brakes or the trademark owner A C Freeman Investments Ltd and use without express written permission of the owners is punishable by law.

JAPANESE Built Motorcycles



KAWASAKI Contd.



DISC PAD CHOICES - FRONT

BRAKE DISC CHOICES - FRONT

FRONT / AVANT / VORN / FRENTE / ANTERIORE

Model	Year	FA, SFA, TT Pad or Brake Shoe	SFAC Carbon Scooter Pads	Speciality Pads - SXR / Vee / MXS	Sintered/HH Pads/ Grooved Shoes	Standard Replacement Discs	Contour Disc Universal Left and Right	Vee-Discs Black † See note below	CX Extreme Disc / UTVX Disc	OSX Oversize 250mm or 280mm	Line #
S3/S3 A 400cc	1974-1975	FA033									1
Z 400 B	1978-1980	FA048									2
Z 400 G	1979	FA033									3
Z 400 J1	Left 1980	FA073*				MD4047LS					4
	Right 1980					MD4047RS					5
Z 400 J2/J3	Left 1981-1983	FA068*			FA068HH*	MD4010LS					6
	Right 1981-1983					MD4010RS					7
Z 400 Performance	2018-2023	FA197			FA197HH	MD4174X	MD4174XC	VR4174BLK			8
Z 400 Z F2	1985-1987	FA067*			FA067HH*	MD4028*					9
ZL 400 A Eliminator	1986-1987	FA085			FA085HH	MD4016					10
ZL 400 B Eliminator SE	Left 1988	FA067*			FA067HH*	MD4135LS					11
	Right 1988					MD4135RS					12
ZL 400 D1/D2	1994-1995	FA129			FA129HH	MD4008X	MD4008XC	VR4008BLK			13
ZR 400 Xanthus	1992-1995	FA141*									14
ZR 400 Z F	Left 1983-1984	FA067*			FA067HH*	MD4108LS					15
	Right 1983-1984					MD4108RS					16
ZR 400 Zephyr	1997-2001	FA158*			FA158HH*★						17
ZRX 400 ZR	1994-1995	FA129*			FA129HH*	MD4008X*	MD4008XC*	VR4008BLK*†			18
ZRX 400 ZR E3	Left 1996	FA229			FA229HH★	MD4008X*	MD4008XC*	VR4008BLK*†			19
	Right 1996	FA231			FA231HH★						20
ZRX 400 ZX	1998-2001				FA294HH*★	MD4008X*	MD4008XC*	VR4008BLK*†			21
ZX-4 ZX	1988	FA141*				MD4134*					22
ZX-4RR Ninja	2023-2024				FA379HH*★	MD4166X*					23
ZXR 400 H	1989-1990	FA158*			FA158HH*★	MD4008X*	MD4008XC*	VR4008BLK*†			24
ZXR 400 L	1991-2003	FA180*			FA180HH*	MD4005*					25
ZXR 400 R J1	1989	FA158*			FA158HH*★	MD4008X*	MD4008XC*	VR4008BLK*†			26
ZXR 400 R J2	1990	FA158*			FA158HH*★	MD4008X*	MD4008XC*	VR4008BLK*†			27
ZXR 400 R M	1991-1994	FA158*			FA158HH*★	MD4005*					28
ZZ-R 400 ZX	1990-1992	FA158*			FA158HH*★	MD4008X*	MD4008XC*	VR4008BLK*†			29
ZZ-R 400 ZX	1993-1999	FA158*			FA158HH*★	MD4008X*	MD4008XC*	VR4008BLK*†			30
KX 420 A	1980-1981	K705			K705G						31
Z 440 A2 LTD	1979	FA073				MD4047LS					32
Z 440 C1	1980	FA073									33
Z 440 C2	1981	FA068			FA068HH	MD4010LS					34
Z 440 D LTD	1983-1984	FA068			FA068HH	MD4010LS					35
Z 440 D4 LTD	1982	FA073				MD4047LS					36
Z 440 H	1982-1983	FA068			FA068HH	MD4010LS					37
KFX 450 R Quad	Left 2008-2014				FA342R	MD6137D*					38
	Right 2008-2014				FA349R						39
KLX 450 R	2008-2018	FA181TT			FA181R	MD6264D			MD6264CX	OSX6264	40
KX 450 F	2006-2014	FA185TT			FA185R	MD6264D			MD6264CX	OSX6264	41
KX 450 F	2015-2018	FA185TT			FA185R				MD6388CX	OSX6264	42
KX 450 F	2019-2020	FA181TT			FA181R				MD6388CX	OSX6264	43
KX 450 F	2021-2024	FA181TT			FA181R				MD6388CX	OSX6264	44
KX 450 F Tomac 4T	2019	FA181TT			FA181R				MD6388CX	OSX6264	45
KX 450 F X Enduro	2021-2023	FA185TT			FA185R				MD6388CX	OSX6264	46
Ninja 7 Hybrid	2024	FA197			FA197HH	MD4174X	MD4174XC	VR4174BLK			47
Z 7 Hybrid	2024	FA197			FA197HH	MD4174X	MD4174XC	VR4174BLK			48
LTD 454 EN A	1986-1989	FA085			FA085HH	MD4006LS					49
Eliminator 500	2024	FA197			FA197HH						50
EN 500 A	1990-1993	FA085			FA085HH	MD4006LS					51
EN 500 B	1994-2004	FA085			FA085HH	MD4124LS					52
ER-5 500 A	1997-2000	FA129			FA129HH	MD4016					53
ER-5 500 A	2001-2007	FA229			FA229HH★	MD4016					54
GPZ 500 S EX A	1987-1993	FA129			FA129HH	MD714X	MD714XC				55
GPZ 500 S EX B	1988-1993	FA067*			FA067HH*	MD4144*					56
GPZ 500 S EX D	1994-2001	FA129			FA129HH	MD714X	MD714XC				57
GPZ 500 S EX E	1994-2004	FA141*				MD4144*					58
H1 500 Mach III	1969-1970	FA033									59
H1 500cc	1973-1975	FA055				MD4069LS⊗					60

*-2 Sets Required. † For Vee disc colours add RED, BLU, GRN, GLD, ORG suffix to part number.

⊗ - Also available as a Vintage Motorcycle Disc. ★ - EPFA available. ⊕ Disc made of Billet steel. ◆ CE solid discs for Enduro use.

JAPANESE Built Motorcycles

BRAKE APPLICATIONS

Line #	BRAKE DISC CHOICES - FRONT			DISC PAD CHOICES - REAR				BRAKE DISC CHOICES - REAR					
	SMX Oversize 320mm Disc Kit Front Left	Front disc bolt kit	Front Brake Line	FA, SFA, TT Pad or Brake Shoe	SFAC Carbon Scooter Pads	Speciality Pads - SXR / Vee / MXS	Sintered HH/R Pads/ Grooved Shoes	Standard Replacement Disc	Contour Disc Rear Fitment	Vee Discs CONTOUR	CX Extreme MX Race Disc / UTVX Disc	Rear disc bolt kit	Rear Brake Line
1				K708									
2				K706									
3				K706									
4				K709									
5													
6				K709									
7													
8				FA197			FA197HH		MD4179AC				
9				FA085			FA085HH	MD4001					
10		DB405/5		K709									
11				K709									
12													
13				K709									
14				FA067/3									
15				K706									
16													
17				FA192			FA192HH	MD4009					
18		DB405/5		FA192			FA192HH						
19		DB405/5											
20				FA192			FA192HH						
21		DB405/5		FA192			FA192HH						
22		DB405/5		FA141				MD4009					
23							FA174HH						
24		DB405/5		FA161			FA161HH	MD4009	MD4009C	VR4009			
25		DB405/5	BLM4169-3F	FA161			FA161HH	MD4009					
26		DB405/5		FA161			FA161HH	MD4009	MD4009C	VR4009			
27		DB405/5		FA161			FA161HH	MD4009	MD4009C	VR4009			
28		DB405/5		FA161			FA161HH	MD4009					
29		DB405/5		FA129			FA129HH★	MD4007		VR4007			
30		DB405/5		FA192			FA192HH	MD4009	MD4009C	VR4009			
31				S605			S605G						
32				K706									
33				K706									
34				K706									
35				K706									
36				K706									
37				K706									
38									MD6304C				
39				FA084TT			FA084R						
40	SMX6264	DB403/4	BLM6016-1F	FA367TT		MXS367	FA367R	MD6208D	MD6208C		MD6208CX♦		
41	SMX6264	DB403/4	BLM6021-1F	FA367TT		MXS367	FA367R	MD6208D	MD6208C		MD6208CX♦		
42	SMX6264	DB403/4		FA367TT		MXS367	FA367R		MD6208C		MD6208CX♦		
43	SMX6264	DB403/4		FA367TT		MXS367	FA367R	MD6421D	MD6421C		MD6421CX♦		
44	SMX6264	DB403/4		FA367TT		MXS367	FA367R		MD6208C		MD6208CX♦		
45	SMX6264	DB403/4		FA367TT		MXS367	FA367R	MD6421D	MD6421C		MD6421CX♦		
46	SMX6264	DB403/4		FA367TT		MXS367	FA367R		MD6208C		MD6208CX♦		
47				FA197			FA197HH		MD4179AC				
48				FA197			FA197HH		MD4179AC				
49				K709									
50				FA197			FA197HH						
51				K709									
52				K709									
53		DB405/5		K706									
54		DB405/5		K706									
55				K706									
56			BLM4018-1F	K706									
57			BLM4019-1F	FA067/3				MD4051	MD4051C				
58				FA068				MD4051	MD4051C				
59				K710									
60				K710									

REAR / ARRIÈRE / HINTEN / POSTERIOR / POSTERIORE

R Suffix = High Durability Sintered Pad. **HH** Suffix = High Performance Sintered Pad. **TT** Suffix = Hard Wearing Off Road Pad. **V** Suffix = Semi Sintered Pad. **G** Suffix = Grooved Shoe. **D** Suffix = Drilled Disc. **X** Suffix = Universal Left or Right Floating Disc. **XC** Suffix = Contoured Floating Disc. **LS** Suffix = Left/Steel Disc. **RS** = Right/Steel Disc.

*-2 Sets Required. † For Vee disc colours add RED, BLU, GRN, GLD, ORG suffix to part number.

⊙ - Also available as a Vintage Motorcycle Disc. ★ - EPFA available. Ⓢ Disc made of Billet steel. ♦ CE solid discs for Enduro use.

Part numbers, prefixes, suffixes, photos and illustrations shown in this catalogue are trademarks and/or copyrights of EBC Brakes or the trademark owner A C Freeman Investments Ltd and use without express written permission of the owners is punishable by law.

JAPANESE Built Motorcycles



KAWASAKI Contd.



DISC PAD CHOICES - FRONT

BRAKE DISC CHOICES - FRONT

FRONT / AVANT / VORN / FRENTE / ANTERIORE

Model	Year	FA, SFA, TT Pad or Brake Shoe	SFAC Carbon Scooter Pads	Speciality Pads - SXR / Vee / MXS	Sintered/HH Pads/ Grooved Shoes	Standard Replacement Discs	Contour Disc Universal Left and Right	Vee-Discs Black † See note below	CX Extreme Disc / UTVX Disc	OSX Oversize 250mm or 280mm	Line #
H1 B/C 500 Mach III	1972	FA033									1
H1-A 500 S Mach III	1971	FA033									2
KH 500 A8	1976	FA033				MD4052LS*					3
KLE 500 A	1991-2004	FA129			FA129R	MD6093D					4
KLE 500 B	2005-2007	FA129			FA129HH	MD6093D					5
KX 500 A	1983-1984	FA067TT			FA067R						6
KX 500 B	1985	FA067TT			FA067R	MD6036D					7
KX 500 B	1986	FA067TT			FA067R	MD6036D					8
KX 500 C/D	1987-1988	FA130TT			FA130R	MD6036D					9
KX 500 E	1989-1993	FA135TT		MXS135	FA135R	MD6015D			MD6015CX		10
KX 500 E	1994-1995	FA185TT		MXS185	FA185R	MD6015D			MD6015CX	OSX6015	11
KX 500 E	1996-2004	FA185TT		MXS185	FA185R	MD6015D			MD6015CX	OSX6015	12
Ninja 500	2024	FA197*			FA197HH*	MD4174X*	MD4174XC*				13
Z 500	2024	FA197*			FA197HH*	MD4174X*	MD4174XC*				14
Z 500 B	1979-1980	FA073*				MD4047LS					15
	Left										16
	Right					MD4047RS					17
KAF 540 C1 Mule 2010	2002-2007	K719*									18
KAF 540 D1 Mule 2020	2002-2007	K719*									19
KAF 540 E1 Mule 2030	2002-2007	K719*									20
GPZ 550 D	1982	FA068*		FA068V*	FA068HH*	MD4010LS					21
	Left										22
	Right					MD4010RS					23
GPZ 550 H	1982-1983	FA068*		FA068V*	FA068HH*	MD4099*					24
GPZ 550 ZX A	1984-1987	FA085*			FA085HH*	MD4002LS					25
	Left										26
	Right					MD4002RS					27
GT 550 G	1983-2001	FA067*			FA067HH*	MD4006LS					28
	Left										29
	Right					MD4006RS					30
Z 550 A	1981-1982	FA068*		FA068V*	FA068HH*	MD4010LS					31
	Left										32
	Right					MD4010RS					33
Z 550 A1	1980	FA073*				MD4047LS					34
	Left										35
	Right					MD4047RS					36
Z 550 LTD	1982-1984	FA068*		FA068V*	FA068HH*	MD4010LS					37
	Left										38
	Right					MD4010RS					39
ZR 550 Z 550 F	1983-1984	FA067*			FA067HH*	MD4108LS					40
	Left										41
	Right					MD4108RS					42
ZR 550 Zephyr	1991-1993	FA129*		FA129V*	FA129HH*	MD4008X*	MD4008XC*	VR4008BLK*†			43
ZR 550 Zephyr	1994-1999	FA129*		FA129V*	FA129HH*	MD4008X*	MD4008XC*	VR4008BLK*†			44
ER-6F	2006-2016	FA229		FA229V	FA229HH*		MD4159XC*	VR4159BLK*†			45
ER-6F	2006-2016	FA231		FA231V	FA231HH*		MD4159XC*	VR4159BLK*†			46
ER-6F ABS	2006-2016	FA229		FA229V	FA229HH*		MD4156AXC				47
	Left										48
	Right						MD4156XC				49
ER-6N	2006-2016	FA231		FA231V	FA231HH*		MD4159XC*	VR4159BLK*†			50
ER-6N	2006-2016	FA229		FA229V	FA229HH*		MD4159XC*	VR4159BLK*†			51
ER-6N ABS	2006-2016	FA229		FA229V	FA229HH*		MD4156AXC				52
	Left										53
	Right						MD4156XC				54
GPX 600 R ZX 600	1988-1996	FA129*		FA129V*	FA129HH*	MD4026LS					55
	Left										56
	Right					MD4026RS					57
GPZ 600 R	1985-1989	FA085*		FA085V*	FA085HH*	MD4028*					58
KLR 600	1984-1994	FA067			FA067R	MD6080D					59
ZL 600 B Eliminator	1995-1997	FA129		FA129V	FA129HH	MD4008X	MD4008XC	VR4008BLK			60
ZX-6R 600 R	2009-2016				FA417/4HH*★		MD4152XC*	VR4152BLK*†			61
ZX-6R ZX 600	1998-2001	FA188*			FA188HH*★	MD4136X*	MD4136XC*	VR4136BLK*†			62
ZX-6R ZX 600	2007-2008				FA417/4HH*★		MD4152XC*	VR4152BLK*†			63
ZX-6R ZX 600 F	1995-1997	FA158*			FA158HH*★	MD4008X*	MD4008XC*	VR4008BLK*†			64
ZX-6RR ZX 600cc	2003-2004				FA369/4HH*★	MD4151X*	MD4151XC*				65
ZX-6RR ZX 600cc	2005-2006				FA369/4HH*★		MD4152XC*	VR4152BLK*†			66
ZZR 600 ZX 600	1990-1993	FA158*			FA158HH*★	MD4141X*	MD4141XC*				67
ZZR 600 ZX 600	1993-2005	FA158*			FA158HH*★	MD4153X*	MD4153XC*	VR4153BLK*†			68
ZZR 600 ZX 600	2006-2007	FA158*			FA158HH*★	MD4153X*	MD4153XC*	VR4153BLK*†			69
KAF 620 Mule 3010 Trans 4 x 4	2005-2007	K719*									70
KAF 620 Mule 4000	2009-2017	K719*									71

*-2 Sets Required. † For Vee disc colours add RED, BLU, GRN, GLD, ORG suffix to part number.

⊗ - Also available as a Vintage Motorcycle Disc. ★ - EPFA available. ⊕ Disc made of Billet steel. ◆ CE solid discs for Enduro use.

JAPANESE Built Motorcycles

Line #	BRAKE DISC CHOICES - FRONT			DISC PAD CHOICES - REAR				BRAKE DISC CHOICES - REAR					
	SMX Oversize 320mm Disc Kit Front Left	Front disc bolt kit	Front Brake Line	FA, SFA, TT Pad or Brake Shoe	SFAC Carbon Scooter Pads	Speciality Pads - SXR / Vee / MXS	Sintered HH/R Pads/ Grooved Shoes	Standard Replacement Disc	Contour Disc Rear Fitment	Vee Discs CONTOUR	CX Extreme MX Race Disc / UTVX Disc	Rear disc bolt kit	Rear Brake Line
1				K710									
2				K710									
3				K710									
4			BLM4043-1F	FA067/3				MD6082D					
5			BLM4044-1F	FA067/3				MD6082D					
6				S602			S602G						
7				S602			S602G						
8				FA067TT			FA067R	MD6161D					
9				FA068			FA067R	MD6161D					
10		DB401/4		FA152TT			FA152R	MD6024D			MD6024CX	DB402/6	
11	SMX6015	DB401/4		FA152TT			FA152R	MD6024D			MD6024CX	DB402/6	
12	SMX6015	DB401/4	BLM6018-1F	FA131TT		MXS131	FA131R	MD6024D			MD6024CX	DB402/6	
13				FA197			FA197HH		MD4179AC				
14				FA197			FA197HH		MD4179AC				
15													
16				FA036									
17				K720*									
18				K720*									
19				K720*									
20													
21				FA068		FA085V	FA068HH	MD4169					
22				FA068		FA085V	FA068HH	MD4024					
23													
24				FA085			FA085HH	MD4001					
25													
26				K709									
27													BLM4101-1R
28				K709									
29				K709									
30				K709									
31													
32				K709									
33													
34				K706									
35		DB405/5		FA141				MD4009	MD4009C	VR4009			
36		DB405/5		FA192			FA192HH	MD4009	MD4009C	VR4009			
37			BLM4009-2F	FA192			FA192HH		MD4138C	VR4138			
38			BLM4009-2F	FA192			FA192HH		MD4138C	VR4138			
39													
40				FA192			FA192HH		MD4164AC				
41				FA192			FA192HH		MD4138C	VR4138			
42				FA192			FA192HH		MD4138C	VR4138			
43													
44				FA192			FA192HH		MD4164AC				
45													BLM4012-1R
46				FA129			FA129HH★	MD4027					
47			BLM4021-5F	FA085		FA085V	FA085HH	MD4015					
48			BLM4046-1F	S603			S602G						
49			BLM4129-1F	K709									
50			BLM4152-3F	FA192			FA192HH		MD4138C	VR4138			
51		DB405/5	BLM4156-3F	FA192			FA192HH	MD4138	MD4138C	VR4138			
52			BLM4151-2F	FA192			FA192HH		MD4138C	VR4138			
53		DB405/5	BLM4155-3F	FA192			FA192HH	MD4023	MD4023C	VR4023			
54		DB405/5	BLM4154-2F	FA192			FA192HH	MD4138	MD4138C				
55			BLM4159-2F	FA192			FA192HH		MD4138C	VR4138			
56		DB405/5	BLM4179-3F	FA129			FA129HH★	MD4007					
57		DB405/5		FA192			FA192HH	MD4009	MD4009C	VR4009			
58		DB405/5	BLM4180-3F	FA192			FA192HH	MD4009	MD4009C	VR4009			
59				K720*									
60				K720*									

REAR / ARRIÈRE / HINTEN / POSTERIOR / POSTERIORE

R Suffix = High Durability Sintered Pad. HH Suffix = High Performance Sintered Pad. TT Suffix = Hard Wearing Off Road Pad. V Suffix = Semi Sintered Pad. G Suffix = Grooved Shoe. D Suffix = Drilled Disc. X Suffix = Universal Left or Right Floating Disc. XC Suffix = Contoured Floating Disc. LS Suffix = Left/Steel Disc. RS = Right/Steel Disc.

*-2 Sets Required. † For Vee disc colours add RED, BLU, GRN, GLD, ORG suffix to part number.

⊙ - Also available as a Vintage Motorcycle Disc. ★ - EPFA available. ⚙ Disc made of Billet steel. ♦ CE solid discs for Enduro use.

Part numbers, prefixes, suffixes, photos and illustrations shown in this catalogue are trademarks and/or copyrights of EBC Brakes or the trademark owner A C Freeman Investments Ltd and use without express written permission of the owners is punishable by law.

JAPANESE Built Motorcycles



KAWASAKI Contd.



DISC PAD CHOICES - FRONT

BRAKE DISC CHOICES - FRONT

FA, SFA, TT Pad or Brake Shoe	SFAC Carbon Scooter Pads	Speciality Pads - SXR / Vee / MXS	Sintered/HH Pads/ Grooved Shoes	Standard Replacement Discs	Contour Disc Universal Left and Right	Vee-Discs Black † See note below	CX Extreme Disc / UTVX Disc	OSX Oversize 250mm or 280mm
KAF 620 Mule 4010 All Models								
Ninja ZX-6R 636cc			FA296HH*★	MD4155X*	MD4155XC*	VR4155BLK*†		
Ninja ZX-6R 636cc			FA296HH*★	MD4155X*	MD4155XC*	VR4155BLK*†		
Ninja ZX-6R KRT 636cc			FA296HH*★	MD4155X*	MD4155XC*	VR4155BLK*†		
Ninja ZX-6R KRT 636cc			FA296HH*★	MD4155X*	MD4155XC*	VR4155BLK*†		
ZX-6R 30th Ann ZX 636			FA296HH*★	MD4155X*	MD4155XC*	VR4155BLK*†		
ZX-6R ZX 636 A			FA188*	MD4136X*	MD4136XC*	VR4136BLK*†		
ZX-6R ZX 636 B			FA369/4HH*★	MD4151X*	MD4151XC*			
ZX-6R ZX 636 C			FA369/4HH*★		MD4152XC*	VR4152BLK*†		
EN 650 Vulcan S			FA281HH	MD4180				
EN 650 Vulcan S			FA281HH	MD4180				
EN 650 Vulcan S Café			FA281HH	MD4180				
EN 650 Vulcan S Performance			FA281HH	MD4180				
EN 650 Vulcan S Touring			FA281HH	MD4180				
EN 650 Vulcan SE			FA281HH	MD4180				
KL 650 Tengai	FA129		FA129R	MD6081D				
KLE 650 Versys	FA229		FA229HH★	MD4159X*	MD4159XC*	VR4159BLK*†		
KLE 650 Versys	FA231		FA231HH★	MD4159X*	MD4159XC*	VR4159BLK*†		
KLE 650 Versys	FA229		FA229HH★		MD4156AXC			
KLE 650 Versys	FA231		FA231HH★		MD4156XC			
KLE 650 Versys	FA231		FA231HH★	MD4159X*	MD4159XC*	VR4159BLK*†		
KLE 650 Versys	FA229		FA229HH★	MD4159X*	MD4159XC*	VR4159BLK*†		
KLE 650 Versys	FA229		FA229HH★		MD4156AXC			
KLE 650 Versys	FA231		FA231HH★		MD4156XC			
KLE 650 Versys	FA142*		FA142HH*		MD4156XC*			
KLE 650 Versys	FA142*		FA142HH*		MD4156XC*			
KLE 650 Versys	FA142*		FA142HH*		MD4156AXC			
KLE 650 Versys					MD4156XC			
KLE 650 Versys	FA142*		FA142HH*		MD4156AXC			
KLE 650 Versys					MD4156XC			
KLE 650 Versys Grand Tourer	FA142*		FA142HH*		MD4156AXC			
KLE 650 Versys Grand Tourer					MD4156XC			
KLE 650 Versys Tourer	FA142*		FA142HH*		MD4156AXC			
KLE 650 Versys Tourer					MD4156XC			
KLR 650	FA228		FA228HH				MD6309CX	
KLR 650	FA228		FA228HH					
KLR 650 A	FA130TT		FA130R	MD6042D			MD6042CX	
KLR 650 C	FA229		FA229HH★	MD6081D				
KLX 650 C	FA185TT	MXS185	FA185R	MD6086D				
KVF 650	FA165TT	MXS165	FA165R	MD6188D*			UTVX6188*	
KVF 650	FA135TT	MXS135	FA135R					
KVF 650 Brute Force 4 x 4			FA342R	MD6188D*			UTVX6188*	
KVF 650 Brute Force 4 x 4			FA349R					
KVF 650 Brute Force Hardwoods Green	FA165TT	MXS165	FA165R	MD6188D*			UTVX6188*	
KVF 650 Brute Force Hardwoods Green	FA135TT	MXS135	FA135R					
KVF 650 Brute Force Hardwoods Green	FA165TT	MXS165	FA165R	MD6188D*			UTVX6188*	
KVF 650 Brute Force Hardwoods Green	FA135TT	MXS135	FA135R					
KVF 650 Prairie			FA342R	MD6188D*			UTVX6188*	
KVF 650 Prairie			FA349R					
Ninja 650 EX 650	FA226*		FA226HH*★		MD4181XC*			
Ninja 650 EX 650 40th Ann Ed	FA226*		FA226HH*★		MD4181XC*			
Ninja 650 EX 650 KRT Edition	FA226*		FA226HH*★		MD4181XC*			
W 650 EJ 650	FA231	FA231V	FA231HH★	MD4008X	MD4008XC	VR4008BLK		
Z 650 B	FA033			MD4052LS⊗				
Z 650 C	FA033*			MD4059LS⊗				
Z 650 C				MD4059RS				
Z 650 C3	FA073*			MD4059LS⊗				
Z 650 C3				MD4059RS				
Z 650 ER 650	FA142*	FA142V*	FA142HH*		MD4181XC*			
Z 650 ER 650	FA142*	FA142V*	FA142HH*		MD4181XC*			

Line #

1

2

3

4

5

6

7

8

9

10

11

12

13

14

15

16

17

18

19

20

21

22

23

24

25

26

27

28

29

30

31

32

33

34

35

36

37

38

39

40

41

42

43

44

45

46

47

48

49

50

51

52

53

54

55

56

57

58

59

60

FRONT / AVANT / VORN / FRENTE / ANTERIORE

R Suffix = High Durability Sintered Pad. HH Suffix = High Performance Sintered Pad. TT Suffix = Hard Wearing Off Road Pad. V Suffix = Semi Sintered Pad. G Suffix = Grooved Shoe.
D Suffix = Drilled Disc. X Suffix = Universal Left or Right Floating Disc. XC Suffix = Contoured Floating Disc. LS Suffix = Left/Steel Disc. RS = Right/Steel Disc.

*-2 Sets Required. † For Vee disc colours add RED, BLU, GRN, GLD, ORG suffix to part number.

⊗ - Also available as a Vintage Motorcycle Disc. ★ - EPFA available. ⊕ Disc made of Billet steel. ◆ CE solid discs for Enduro use.

JAPANESE Built Motorcycles

BRAKE APPLICATIONS

Line #	BRAKE DISC CHOICES - FRONT			DISC PAD CHOICES - REAR				BRAKE DISC CHOICES - REAR					
	SMX Oversize 320mm Disc Kit Front Left	Front disc bolt kit	Front Brake Line	FA, SFA, TT Pad or Brake Shoe	SFAC Carbon Scooter Pads	Speciality Pads - SXR / Vee / MXS	Sintered HH/R Pads/ Grooved Shoes	Standard Replacement Disc	Contour Disc Rear Fitment	Vee Discs CONTOUR	CX Extreme MX Race Disc / UTVX Disc	Rear disc bolt kit	Rear Brake Line
1				K720*									
2		DB405/5		FA436			FA436HH		MD4165C	VR4165			
3		DB405/5		FA436			FA436HH		MD4165C	VR4165			
4		DB405/5		FA436			FA436HH		MD4165C	VR4165			
5		DB405/5		FA436			FA436HH		MD4165C	VR4165			
6		DB405/5		FA436			FA436HH		MD4165C	VR4165			
7		DB405/5		FA192			FA192HH	MD4138	MD4138C	VR4138			
8		DB405/5		FA192			FA192HH	MD4138	MD4138C				
9				FA192			FA192HH	MD4138	MD4138C	VR4138			
10		DB405/5		FA174			FA174HH	MD4178AC				DB405/4	
11		DB405/5		FA174			FA174HH	MD4178AC				DB405/4	
12		DB405/5		FA174			FA174HH	MD4178AC				DB405/4	
13		DB405/5		FA174			FA174HH	MD4178AC				DB405/4	
14		DB405/5		FA174			FA174HH	MD4178AC				DB405/4	
15		DB405/5		FA174			FA174HH	MD4178AC				DB405/4	
16				FA067			FA067R	MD6082D					
17		DB405/5	BLM4054-2F	FA192			FA192HH	MD4138	MD4138C	VR4138			
18		DB405/5	BLM4054-2F	FA192			FA192HH	MD4138	MD4138C	VR4138			
19													
20				FA192			FA192HH		MD4164AC				
21		DB405/5	BLM4055-2F	FA192			FA192HH	MD4138	MD4138C	VR4138			
22		DB405/5	BLM4055-2F	FA192			FA192HH	MD4138	MD4138C	VR4138			
23													
24				FA192			FA192HH		MD4164AC				
25				FA140			FA140HH						
26				FA174			FA174HH						
27												DB404/4	
28				FA174			FA174HH		MD4178AC				
29													
30				FA140			FA140HH						
31												DB404/4	
32				FA174			FA174HH		MD4178AC				
33												DB404/4	
34				FA174			FA174HH		MD4178AC				
35	SMX6309			FA197			FA197HH		MD6310C		MD6310CX		
36				FA197			FA197HH						
37	SMX6042			FA067/3				MD6082D			MD6082CX		
38				FA067			FA067R	MD6082D					
39				FA152TT			FA152R	MD6085D					
40													
41													
42													
43													
44													
45													
46													
47													
48													
49													
50		DB405/5		FA174			FA174HH		MD4164AC				
51		DB405/5		FA174			FA174HH		MD4164AC				
52		DB405/5		FA174			FA174HH		MD4164AC				
53				K706									
54			BLM4104-2F	K709									
55													
56				FA037				MD4062					
57													BLM4107-1R
58				FA036									
59		DB405/5		FA174			FA174HH		MD4138C			DB405/5	
60		DB405/5		FA174			FA174HH		MD4164AC			DB405/5	

REAR / ARRIÈRE / HINTEN / POSTERIOR / POSTERIORE

R Suffix = High Durability Sintered Pad. **HH** Suffix = High Performance Sintered Pad. **TT** Suffix = Hard Wearing Off Road Pad. **V** Suffix = Semi Sintered Pad. **G** Suffix = Grooved Shoe. **D** Suffix = Drilled Disc. **X** Suffix = Universal Left or Right Floating Disc. **XC** Suffix = Contoured Floating Disc. **LS** Suffix = Left/Steel Disc. **RS** = Right/Steel Disc.

*-2 Sets Required. † For Vee disc colours add RED, BLU, GRN, GLD, ORG suffix to part number.

⊙ - Also available as a Vintage Motorcycle Disc. ★ - EPFA available. Ⓢ Disc made of Billet steel. ◆ CE solid discs for Enduro use.

Part numbers, prefixes, suffixes, photos and illustrations shown in this catalogue are trademarks and/or copyrights of EBC Brakes or the trademark owner A C Freeman Investments Ltd and use without express written permission of the owners is punishable by law.

JAPANESE Built Motorcycles



KAWASAKI Contd.



DISC PAD CHOICES - FRONT

BRAKE DISC CHOICES - FRONT

R Suffix = High Durability Sintered Pad. **HH** Suffix = High Performance Sintered Pad. **TT** Suffix = Hard Wearing Off Road Pad. **V** Suffix = Semi Sintered Pad. **G** Suffix = Grooved Shoe.
D Suffix = Drilled Disc. **X** Suffix = Universal Left or Right Floating Disc. **XC** Suffix = Contoured Floating Disc. **LS** Suffix = Left/Steel Disc. **RS** = Right/Steel Disc.

Model	Year	FA, SFA, TT Pad or Brake Shoe	SFAC Carbon Scooter Pads	Speciality Pads - SXR / Vee / MXS	Sintered/HH Pads/ Grooved Shoes	Standard Replacement Discs	Contour Disc Universal Left and Right	Vee-Discs Black † See note below	CX Extreme Disc / UTVX Disc	OSX Oversize 250mm or 280mm	Line #
Z 650 ER 650 Performance	2017-2023	FA142*		FA142V*	FA142HH*		MD4181XC*				1
Z 650 F	1981-1983	FA068*		FA068V*	FA068HH*	MD4010LS					2
	Right 1981-1983					MD4010RS					3
Z 650 F1	1980	FA073*				MD4052LS⊗					4
	Right 1980					MD4052RS					5
Z 650 SR	1979-1980	FA073*				MD4059LS⊗					6
	Right 1979-1980					MD4059RS					7
KAF 700 Mule Pro-MX	2019-2024	FA165TT		MXS165	FA165R	TBC*					8
	Right 2019-2024	FA135TT		MXS135	FA135R						9
KSV 700 KFX 700 V-Force	2004-2011				FA342R	MD6137D*					10
	Right 2004-2011				FA349R						11
KVF 700 D1 Team Green	2005				FA342R	MD6188D*			UTVX6188*		12
	Right 2005				FA349R						13
KVF 700 Prairie 4 x 4	2004-2008				FA342R	MD6188D*			UTVX6188*		14
	Right 2004-2008				FA349R						15
ST 700 Stallion	2014-2018				FA380HH*★	MD4155X*	MD4155XC*				16
VN 700 A1 Vulcan	1985	FA085*		FA085V*	FA085HH*	MD4010LS					17
	Right 1985					MD4010RS					18
Z 700 A1 LTD	1984	FA068*		FA068V*	FA068HH*	MD4010LS					19
	Right 1984					MD4010RS					20
ZN 700 LTD	1984-1985	FA085*		FA085V*	FA085HH*	MD4067LS					21
	Right 1984-1985					MD4067RS					22
GPX 750 ZX	1987-1989	FA129*		FA129V*	FA129HH*	MD4071LS					23
	Right 1987-1989					MD4071RS					24
GPZ 750 A	1983-1987	FA085*		FA085V*	FA085HH*	MD4028*					25
GPZ 750 R	1982	FA068*		FA068V*	FA068HH*	MD4010LS					26
	Right 1982					MD4010RS					27
GPZ 750 R G2/G3	1985-1986	FA085*		FA085V*	FA085HH*	MD4016*					28
GPZ 750 Turbo	1984-1987	FA085*		FA085V*	FA085HH*	MD4016*					29
GT 750	1982-1996	FA068*		FA068V*	FA068HH*	MD4010LS					30
	Right 1982-1996					MD4010RS					31
H2 C Mach IV 750cc	1974-1975	FA055				MD4069LS⊗					32
H2 Mach IV 750cc	1972-1973	FA055				MD4069LS⊗					33
KRF 750 Teryx 4 x 4	2008	FA165TT		MXS165	FA165R	MD6325D*			UTVX6325*		34
	Right 2008	FA135TT		MXS135	FA135R						35
KRF 750 Teryx Fi 4 x 4	2009-2013	FA165TT		MXS165	FA165R	MD6325D*			UTVX6325*		36
	Right 2009-2013	FA135TT		MXS135	FA135R						37
KRT 750 Teryx 4 4 x 4 All Models	2012-2013	FA165TT		MXS165	FA165R	MD6399D*			UTVX6399*		38
	Right 2012-2013	FA135TT		MXS135	FA135R						39
KVF 750 Brute Force 4 x 4i	2012-2017	FA165TT		MXS165	FA165R	MD6188D*			UTVX6188*		40
	Right 2012-2017	FA135TT		MXS135	FA135R						41
KVF 750 Brute Force 4 x 4i EPS	2012-2022	FA165TT		MXS165	FA165R	MD6188D*			UTVX6188*		42
	Right 2012-2022	FA135TT		MXS135	FA135R						43
KVF 750 D All Models	2008-2011	FA165TT		MXS165	FA165R	MD6188D*			UTVX6188*		44
	Right 2008-2011	FA135TT		MXS135	FA135R						45
VN 750 A	1986-1994	FA085*			FA085HH*	MD4010LS					46
	Right 1986-1994					MD4010RS					47
Z 750 B	1977-1978	FA033									48
Z 750 D	1976	FA033									49
Z 750 E1	1980	FA068*			FA068HH*	MD4010LS					50
	Right 1980					MD4010RS					51
Z 750 L1-L4	1981-1984	FA068*			FA068HH*	MD4010LS					52
	Right 1981-1984					MD4010RS					53
Z 750 LTD	1980-1981	FA068*			FA068HH*	MD4010LS					54
	Right 1980-1981					MD4010RS					55
Z 750 N Spectre	1982-1983	FA068*			FA068HH*	MD4010LS					56
	Right 1982-1983					MD4010RS					57
Z 750 R Black Ed ZR	2012				FA417/4HH*★		MD4152XC*	VR4152BLK*†			58
Z 750 R ZR	2011-2012				FA417/4HH*★		MD4152XC*	VR4152BLK*†			59
Z 750 S ZR	2005-2007	FA229			FA229HH*★	MD4141X*	MD4141XC*				60

*-2 Sets Required. † For Vee disc colours add RED, BLU, GRN, GLD, ORG suffix to part number.

⊗ - Also available as a Vintage Motorcycle Disc. ★ - EPFA available. ⊕ Disc made of Billet steel. ◆ CE solid discs for Enduro use.

JAPANESE Built Motorcycles

Line #	BRAKE DISC CHOICES - FRONT			DISC PAD CHOICES - REAR				BRAKE DISC CHOICES - REAR					
	SMX Oversize 320mm Disc Kit Front Left	Front disc bolt kit	Front Brake Line	FA, SFA, TT Pad or Brake Shoe	SFAC Carbon Scooter Pads	Speciality Pads - SXR / Vee / MXS	Sintered HH/R Pads/ Grooved Shoes	Standard Replacement Disc	Contour Disc Rear Fitment	Vee Discs CONTOUR	CX Extreme MX Race Disc / UTVX Disc	Rear disc bolt kit	Rear Brake Line
1		DB405/5		FA174			FA174HH		MD4164AC			DB405/5	
2													
3				K709									
4													
5				K709									
6													
7				FA036				MD4063					
8				FA377TT*			FA377R*						
9													
10													
11													
12													
13													
14													
15													
16		DB405/5		FA196			FA196HH★	MD4169					
17				K709									
18													
19													
20				FA068		FA085V	FA068HH	MD4169					
21				FA085		FA085V	FA085HH	MD4068					
22													
23				FA129								BLM4013-1R	
24							FA129HH★	MD4007					
25			BLM4022-5F	FA085		FA085V	FA085HH	MD4019					
26				FA068									
27						FA085V	FA068HH	MD4169					
28		DB405/5		FA085		FA085V	FA085HH	MD4017					
29		DB405/5	BLM4023-5F	FA085		FA085V	FA085HH	MD4017					
30												BLM4027-1R	
31				FA068		FA085V	FA068HH	MD4169					
32				K713									
33				K713									
34													
35													
36													
37													
38													
39													
40													
41													
42													
43													
44													
45													
46				K709									
47													
48				FA037									
49				FA037									
50													
51				FA068			FA068HH	MD4169					
52													
53				FA068			FA068HH	MD4169					
54													
55				FA068			FA068HH	MD4169					
56													
57				FA068			FA068HH	MD4169					
58				FA140			FA140HH		MD4157C	VR4157			
59			BLM4119-2F	FA140			FA140HH		MD4157C	VR4157			
60		DB405/5							MD4138C				

REAR / ARRIÈRE / HINTEN / POSTERIOR / POSTERIORE

R Suffix = High Durability Sintered Pad. HH Suffix = High Performance Sintered Pad. TT Suffix = Hard Wearing Off Road Pad. V Suffix = Semi Sintered Pad. G Suffix = Grooved Shoe. D Suffix = Drilled Disc. X Suffix = Universal Left or Right Floating Disc. XC Suffix = Contoured Floating Disc. LS Suffix = Left/Steel Disc. RS = Right/Steel Disc.

*-2 Sets Required. † For Vee disc colours add RED, BLU, GRN, GLD, ORG suffix to part number.

⊙ - Also available as a Vintage Motorcycle Disc. ★ - EPFA available. ⊕ Disc made of Billet steel. ◆ CE solid discs for Enduro use.

Part numbers, prefixes, suffixes, photos and illustrations shown in this catalogue are trademarks and/or copyrights of EBC Brakes or the trademark owner A C Freeman Investments Ltd and use without express written permission of the owners is punishable by law.

JAPANESE Built Motorcycles



KAWASAKI Contd.



DISC PAD CHOICES - FRONT

BRAKE DISC CHOICES - FRONT

			FA, SFA, TT Pad or Brake Shoe	SFAC Carbon Scooter Pads	Speciality Pads - SXR / Vee / MXS	Sintered/HH Pads/ Grooved Shoes	Standard Replacement Discs	Contour Disc Universal Left and Right	Vee-Discs Black † See note below	CX Extreme Disc / UTVX Disc	OSX Oversize 250mm or 280mm	Line #
	Right	2005-2007	FA231			FA231HH★						1
Z 750 Y1 LTD	Left	1982	FA068*			FA068HH*	MD4043LS					2
	Right	1982					MD4043RS					3
Z 750 ZR	Left	2004-2006	FA229			FA229HH★	MD4141X*	MD4141XC*				4
	Right	2004-2006	FA231			FA231HH★						5
Z 750 ZR		2007-2011	FA142*			FA142HH		MD4159XC*	VR4159BLK*†			6
Z 750 ZR		2007-2011	FA142*			FA142HH*		MD4156XC*				7
Z 750 ZR		2011-2012				FA417/4HH*★		MD4152XC*	VR4152BLK*†			8
ZR 750 Zephyr		1991-1995	FA129*			FA129HH*	MD4008X*	MD4008XC*	VR4008BLK*†			9
ZR 750 Zephyr		1996-1998	FA229			FA229HH★	MD4008X*	MD4008XC*	VR4008BLK*†			10
ZR 750 Zephyr		1996-1998	FA231			FA231HH★	MD4008X*	MD4008XC*	VR4008BLK*†			11
ZR 750 ZR-7	Left	1999-2004	FA229			FA229HH★	MD4141X*	MD4141XC*				12
	Right	1999-2004	FA231			FA231HH★						13
ZR 750 ZR-7	Left	2001-2004	FA229			FA229HH★	MD4141X*	MD4141XC*				14
	Right	2001-2004	FA231			FA231HH★						15
ZX7-R ZX 750		1996-2003	FA188*			FA188HH*★	MD4022X*	MD4022XC*	VR4022BLK*†			16
ZX7-RR ZX 750		1996-1999	FA424*			FA424HH*	MD4022X*	MD4022XC*	VR4022BLK*†			17
ZXR 750		1991-1992	FA158*			FA158HH*★	MD4022X*	MD4022XC*	VR4022BLK*†			18
ZXR 750		1993-1995	FA158*			FA158HH*★	MD4022X*	MD4022XC*	VR4022BLK*†			19
ZXR 750 H		1989-1990	FA158*			FA158HH*★	MD4012X*	MD4012XC*	VR4012BLK*†			20
KRF 800 Teryx	Left	2014-2018	FA165TT		MXS165	FA165R	MD6399D*			UTVX6399*		21
	Right	2014-2018	FA135TT		MXS135	FA135R						22
KRF 800 Teryx Camo	Left	2014-2018	FA165TT		MXS165	FA165R	MD6399D*			UTVX6399*		23
	Right	2014-2018	FA135TT		MXS135	FA135R						24
KRF 800 Teryx LE	Left	2014-2018	FA165TT		MXS165	FA165R	MD6399D*			UTVX6399*		25
	Right	2014-2018	FA135TT		MXS135	FA135R						26
KRT 800 Teryx 4	Left	2014-2018	FA165TT		MXS165	FA165R	MD6399D*			UTVX6399*		27
	Right	2014-2018	FA135TT		MXS135	FA135R						28
KRT 800 Teryx 4 Camo	Left	2014-2018	FA165TT		MXS165	FA165R	MD6399D*			UTVX6399*		29
	Right	2014-2018	FA135TT		MXS135	FA135R						30
KRT 800 Teryx 4 LE	Left	2014-2018	FA165TT		MXS165	FA165R	MD6399D*			UTVX6399*		31
	Right	2014-2018	FA135TT		MXS135	FA135R						32
VN 800		1995-1999	FA085		FA085V	FA085HH	MD4124LS					33
VN 800 Classic		1996-2006	FA229		FA229V	FA229HH★	MD4125LS					34
VN 800 Drifter		1999-2004	FA229		FA229V	FA229HH★	MD4125LS					35
W 800 EJ		2011-2012	FA231		FA231V	FA231HH★	MD4158					36
W 800 EJ		2013-2019	FA231		FA231V	FA231HH★	MD4008X	MD4008XC	VR4008BLK			37
W 800 EJ		2016-2021	FA231		FA231V	FA231HH★	MD4008X	MD4008XC	VR4008BLK			38
W 800 EJ Café		2011-2016	FA231		FA231V	FA231HH★	MD4008X	MD4008XC	VR4008BLK			39
W 800 EJ Special		2012	FA231		FA231V	FA231HH★	MD4008X	MD4008XC	VR4008BLK			40
W 800 EJ Special		2013-2016	FA231		FA231V	FA231HH★	MD4008X	MD4008XC	VR4008BLK			41
Z 800		2013-2016				FA347HH*★		MD4155XC*	VR4155BLK*†			42
Z 800		2013-2016				FA347HH*★		MD4155XC*	VR4155BLK*†			43
Z 800 E		2013-2016	FA142*		FA142V*	FA142HH*		MD4155XC*	VR4155BLK*†			44
Z 800 E		2013-2016				FA347HH*★		MD4155XC*	VR4155BLK*†			45
KAF 820 Mule Pro FX	Left	2016-2018	FA165TT		MXS165	FA165R	MD6398D*			UTVX6398*		46
	Right	2016-2018	FA135TT		MXS135	FA135R						47
KAF 820 Mule Pro FX EPS	Left	2016-2018	FA165TT		MXS165	FA165R	MD6398D*			UTVX6398*		48
	Right	2016-2018	FA135TT		MXS135	FA135R						49
KAF 820 Mule Pro FX EPS Camo	Left	2016-2017	FA165TT		MXS165	FA165R	MD6398D*			UTVX6398*		50
	Right	2016-2017	FA135TT		MXS135	FA135R						51
KAF 820 Mule Pro FX EPS LE	Left	2016-2018	FA165TT		MXS165	FA165R	MD6398D*			UTVX6398*		52
	Right	2016-2018	FA135TT		MXS135	FA135R						53
KAF 820 Mule Pro FXT	Left	2015-2018	FA165TT		MXS165	FA165R	MD6398D*			UTVX6398*		54
	Right	2015-2018	FA135TT		MXS135	FA135R						55
KAF 820 Mule Pro FXT EPS	Left	2015-2018	FA165TT		MXS165	FA165R	MD6398D*			UTVX6398*		56
	Right	2015-2018	FA135TT		MXS135	FA135R						57
KAF 820 Mule Pro FXT EPS Camo	Left	2015-2018	FA165TT		MXS165	FA165R	MD6398D*			UTVX6398*		58
	Right	2015-2018	FA135TT		MXS135	FA135R						59
KAF 820 Mule Pro FXT EPS LE	Left	2015-2018	FA165TT		MXS165	FA165R	MD6398D*			UTVX6398*		60

FRONT / AVANT / VORN / FRENTE / ANTERIORE

R Suffix = High Durability Sintered Pad. HH Suffix = High Performance Sintered Pad. TT Suffix = Hard Wearing Off Road Pad. V Suffix = Semi Sintered Pad. G Suffix = Grooved Shoe.

D Suffix = Drilled Disc. X Suffix = Universal Left or Right Floating Disc. XC Suffix = Contoured Floating Disc. LS Suffix = Left/Steel Disc. RS = Right/Steel Disc.

*-2 Sets Required. † For Vee disc colours add RED, BLU, GRN, GLD, ORG suffix to part number.

⊗ - Also available as a Vintage Motorcycle Disc. ★ - EPFA available. ⚙ Disc made of Billet steel. ♦ CE solid discs for Enduro use.

JAPANESE Built Motorcycles

BRAKE APPLICATIONS

Line #	BRAKE DISC CHOICES - FRONT			DISC PAD CHOICES - REAR				BRAKE DISC CHOICES - REAR					
	SMX Oversize 320mm Disc Kit Front Left	Front disc bolt kit	Front Brake Line	FA, SFA, TT Pad or Brake Shoe	SFAC Carbon Scooter Pads	Speciality Pads - SXR / Vee / MXS	Sintered HH/R Pads/ Grooved Shoes	Standard Replacement Disc	Contour Disc Rear Fitment	Vee Discs CONTOUR	CX Extreme MX Race Disc / UTVX Disc	Rear disc bolt kit	Rear Brake Line
1				FA192			FA192HH	MD4138					
2				K709									
3													
4		DB405/5							MD4138C				BLM4112-1R
5				FA192			FA192HH	MD4138					
6			BLM4113-2F	FA174			FA174HH		MD4157C	VR4157		DB405/4	
7				FA174			FA174HH		MD4157C	VR4157		DB405/4	
8				FA140			FA140HH		MD4157C	VR4157			
9		DB405/5	BLM4137-3F	FA129			FA129HH★	MD4007	MD4007C	VR4007			
10		DB405/5	BLM4137-3F	FA129			FA129HH★	MD4007	MD4007C	VR4007			
11		DB405/5	BLM4137-3F	FA129			FA129HH★	MD4007	MD4007C	VR4007			
12		DB405/5											
13				FA231			FA231HH★	MD4142	MD4142C				
14		DB405/5											
15				FA231			FA231HH★	MD4142	MD4142C				
16		DB405/5	BLM4160-3F	FA161			FA161HH	MD4013	MD4013C	VR4013			
17		DB405/5		FA254			FA254HH★	MD4013	MD4013C	VR4013			
18		DB405/5	BLM4171-3F	FA161			FA161HH	MD4013	MD4013C	VR4013			
19		DB405/5	BLM4172-3F	FA161			FA161HH	MD4013	MD4013C	VR4013			
20		DB405/5	BLM4170-3F	FA161			FA161HH	MD4013	MD4013C	VR4013			
21													
22													
23													
24													
25													
26													
27													
28													
29													
30													
31													
32													
33				K709									
34				K709									
35				FA231		FA231V	FA231HH★	MD4148					
36				K706									
37				K706									
38				FA197			FA197HH						
39				K706									
40				K706									
41				K706									
42		DB405/5	BLM4122-2F	FA140			FA140HH		MD4157C	VR4157			
43		DB405/5		FA140			FA140HH		MD4157C	VR4157			
44		DB405/5		FA140			FA140HH		MD4157C	VR4157			
45		DB405/5		FA140			FA140HH		MD4157C	VR4157			
46				FA686TT*			FA686R*	MD6398D*			UTVX6398*		
47													
48				FA686TT*			FA686R*	MD6398D*			UTVX6398*		
49													
50				FA686TT*			FA686R*	MD6398D*			UTVX6398*		
51													
52				FA686TT*			FA686R*	MD6398D*			UTVX6398*		
53													
54				FA686TT*			FA686R*	MD6398D*			UTVX6398*		
55													
56				FA686TT*			FA686R*	MD6398D*			UTVX6398*		
57													
58				FA686TT*			FA686R*	MD6398D*			UTVX6398*		
59													
60				FA686TT*			FA686R*	MD6398D*			UTVX6398*		

REAR / ARRIÈRE / HINTEN / POSTERIOR / POSTERIORE

R Suffix = High Durability Sintered Pad. HH Suffix = High Performance Sintered Pad. TT Suffix = Hard Wearing Off Road Pad. V Suffix = Semi Sintered Pad. G Suffix = Grooved Shoe. D Suffix = Drilled Disc. X Suffix = Universal Left or Right Floating Disc. XC Suffix = Contoured Floating Disc. LS Suffix = Left/Steel Disc. RS = Right/Steel Disc.

*-2 Sets Required. † For Vee disc colours add RED, BLU, GRN, GLD, ORG suffix to part number.

⊗ - Also available as a Vintage Motorcycle Disc. ★ - EPFA available. ⚙ Disc made of Billet steel. ♦ CE solid discs for Enduro use.

Part numbers, prefixes, suffixes, photos and illustrations shown in this catalogue are trademarks and/or copyrights of EBC Brakes or the trademark owner A C Freeman Investments Ltd and use without express written permission of the owners is punishable by law.

JAPANESE Built Motorcycles



KAWASAKI Contd.



DISC PAD CHOICES - FRONT

BRAKE DISC CHOICES - FRONT

FRONT / AVANT / VORN / FRENTE / ANTERIORE

			FA, SFA, TT Pad or Brake Shoe	SFAC Carbon Scooter Pads	Speciality Pads - SXR / Vee / MXS	Sintered/HH Pads/ Grooved Shoes	Standard Replacement Discs	Contour Disc Universal Left and Right	Vee-Discs Black † See note below	CX Extreme Disc / UTVX Disc	OSX Oversize 250mm or 280mm	Line #
	Right	2015-2018	FA135TT		MXS135	FA135R						1
KAF 820 Mule Pro FXT Ranch Ed	Left	2016-2017	FA165TT		MXS165	FA165R	MD6398D*			UTVX6398*		2
	Right	2016-2017	FA135TT		MXS135	FA135R		Ninja SX Performance Tourer ZX 1002				3
GPZ 900 R A1		1984-1989	FA085*		FA085V*	FA085HH*	MD4016*					4
GPZ 900 R A7		1990-1996	FA158*			FA158HH*★	MD4008X*	MD4008XC*	VR4008BLK*†			5
GPZ 900 R ZX 900 A		1998	FA158*			FA158HH*★	MD4008X*	MD4008XC*	VR4008BLK*†			6
GPZ 900 R ZX 900 A		1999-2002	FA188*			FA188HH*★						7
V 900 D Vulcan Classic LT		2007-2010	FA229		FA229V	FA229HH★	MD4158					8
V 900C Custom		2007-2014	FA229		FA229V	FA229HH★	MD4158					9
VN 900 B Vulcan Classic		2006-2014	FA229		FA229V	FA229HH★	MD4158					10
Vulcan 900 Classic-LT-Custom		2007-2021	FA229		FA229V	FA229HH★	MD4158					11
Z 900		2017-2018				FA347HH*★						12
Z 900 A4	Left	1977	FA033*				MD4052LS⊗					13
	Right	1977					MD4052RS					14
Z 900 Performance		2017-2023				FA347HH*★						15
Z 900 RS		2018-2021				FA379HH*★						16
Z 900 RS		2022-2024				FA630HH*★						17
Z 900 RS Café		2018-2020				FA379HH*★						18
Z 900 RS Performance		2018-2021				FA379HH*★						19
Z 900 RS SE		2022-2024				FA630HH*★						20
Z 900 SE Performance		2017-2023				FA347HH*★						21
Z 900 Z1 A/B	Left	1974-1976	FA055*				MD4069LS⊗					22
	Right	1974-1976					MD4069RS					23
ZL 900 Eliminator		1985-1986	FA085*		FA085V*	FA085HH*	MD4016*					24
ZX 9 R ZX 900 B		1994-1995	FA158*			FA158HH*★	MD4022X*	MD4022XC*	VR4022BLK			25
ZX 9 R ZX 900 B		1996-1997	FA188*			FA188HH*★	MD4022X*	MD4022XC*	VR4022BLK			26
ZX 9 R ZX 900 C		1998-1999	FA188*			FA188HH*★	MD4167X*	MD4167XC*				27
ZX 9 R ZX 900 E1/E2		2000-2001	FA188*			FA188HH*★	MD4012X*	MD4012XC*	VR4012BLK*†			28
ZX 9 R ZX 900 F1/F2		2002-2004				FA347HH*★	MD4022X*	MD4022XC*	VR4022BLK*†			29
KAF 950 Mule 3010 Diesel 4 x 4		2008	K719*									30
KAF 950 Mule 3010 Trans Diesel 4 x 4		2008	K719*									31
KAF 950 Mule 4010 Diesel 4 x 4		2009-2013	K719*									32
KAF 950 Mule 4010 Trans Diesel 4 x 4		2009-2013	K719*									33
GPZ 1000 RX ZX1000		1986-1988	FA085*		FA085V*	FA085HH*	MD4016*					34
GTR 1000 ZG 1000		1986-1993	FA085*		FA085V*	FA085HH*	MD4028*					35
GTR 1000 ZG 1000		1994-2003	FA129*		FA129V*	FA129HH*	MD4008X*	MD4008XC*	VR4008BLK*†			36
KAF 1000 Mule Pro DX Diesel	Left	2016-2024	FA165TT		MXS165	FA165R	MD6398D*			UTVX6398*		37
	Right	2016-2024	FA135TT		MXS135	FA135R						38
KAF 1000 Mule Pro DX Diesel	Left	2017-2024	FA165TT		MXS165	FA165R	MD6398D*			UTVX6398*		39
	Right	2017-2024	FA135TT		MXS135	FA135R						40
KAF 1000 Mule Pro DX EPS Diesel	Left	2016-2018	FA165TT		MXS165	FA165R	MD6398D*			UTVX6398*		41
	Right	2016-2018	FA135TT		MXS135	FA135R						42
KAF 1000 Mule Pro DX EPS LE Diesel	Left	2016-2017	FA165TT		MXS165	FA165R	MD6398D*			UTVX6398*		43
	Right	2016-2017	FA135TT		MXS135	FA135R						44
KAF 1000 Mule Pro DXT Diesel	Left	2016-2024	FA165TT		MXS165	FA165R	MD6398D*			UTVX6398*		45
	Right	2016-2024	FA135TT		MXS135	FA135R						46
KAF 1000 Mule Pro DXT Diesel EPS	Left	2016-2018	FA165TT		MXS165	FA165R	MD6398D*			UTVX6398*		47
	Right	2016-2018	FA135TT		MXS135	FA135R						48
KAF 1000 Mule Pro DXT EPS LE Diesel	Left	2016-2022	FA165TT		MXS165	FA165R	MD6398D*			UTVX6398*		49
	Right	2016-2022	FA135TT		MXS135	FA135R						50
KLV 1000 LV 1000	Left	2004-2005	FA229		FA229V	FA229HH★	MD3088X*	MD3088XC*	VR3088BLK*†			51
	Right	2004-2005	FA231		FA231V	FA231HH★						52
KLZ 1000 Versys		2012-2014	FA158*			FA158HH*★		MD4156XC*				53
KLZ 1000 Versys		2015-2018	FA158*			FA158HH*★	MD4155X*	MD4155XC*				54
KLZ 1000 Versys		2019-2024				FA379HH*★	MD4155X*	MD4155XC*				55
KLZ 1000 Versys S Grand Tourer		2020-2024				FA379HH*★	MD4155X*	MD4155XC*				56
KLZ 1000 Versys S Tourer		2020-2024				FA379HH*★	MD4155X*	MD4155XC*				57
KLZ 1000 Versys SE		2022-2024				FA379HH*★	MD4155X*	MD4155XC*				58
KLZ 1000 Versys SE LT & LT+		2018-2023				FA379HH*★	MD4155X*	MD4155XC*				59
KRX 1000 Teryx		2020-2023			SXR738HH*	FA738R*	MD6434D*					60

*-2 Sets Required. † For Vee disc colours add RED, BLU, GRN, GLD, ORG suffix to part number.

⊗ - Also available as a Vintage Motorcycle Disc. ★ - EPFA available. ⊕ Disc made of Billet steel. ◆ CE solid discs for Enduro use.

JAPANESE Built Motorcycles

BRAKE APPLICATIONS

Line #	BRAKE DISC CHOICES - FRONT			DISC PAD CHOICES - REAR				BRAKE DISC CHOICES - REAR					
	SMX Oversize 320mm Disc Kit Front Left	Front disc bolt kit	Front Brake Line	FA, SFA, TT Pad or Brake Shoe	SFAC Carbon Scooter Pads	Speciality Pads - SXR / Vee / MXS	Sintered HH/R Pads/ Grooved Shoes	Standard Replacement Disc	Contour Disc Rear Fitment	Vee Discs CONTOUR	CX Extreme MX Race Disc / UTVX Disc	Rear disc bolt kit	Rear Brake Line
1													
2				FA686TT*			FA686R*	MD6398D*			UTVX6398*		
3													
4		DB405/5	BLM4024-5F	FA085		FA085V	FA085HH	MD4017					
5		DB405/5	BLM4025-3F	FA129			FA129HH★	MD4015	MD4015C	VR4015			
6		DB405/5		FA129			FA129HH★	MD4015	MD4015C	VR4015			
7				FA129			FA129HH★	MD4015	MD4015C	VR4015			
8				FA231			FA231HH★	MD4085					
9				FA231			FA231HH★	MD4085					
10			BLM4031-1F	FA231			FA231HH★	MD4085					
11				FA231			FA231HH★	MD4085					
12		DB405/5	BLM4187-3F	FA140			FA140HH						
13													
14				K713									
15		DB405/5		FA174			FA174HH		MD4157C	VR4157		DB405/4	
16		DB405/5		FA174			FA174HH		MD4157C	VR4157		DB405/4	
17		DB405/5		FA174			FA174HH		MD4157C	VR4157		DB405/4	
18		DB405/5		FA174			FA174HH		MD4157C	VR4157		DB405/4	
19		DB405/5		FA174			FA174HH		MD4157C	VR4157		DB405/4	
20		DB405/5		FA174			FA174HH		MD4157C	VR4157		DB405/4	
21		DB405/5		FA174			FA174HH		MD4157C	VR4157		DB405/4	
22													
23				K713									
24		DB405/5		FA085		FA085V	FA085HH	MD4017					
25		DB405/5	BLM4161-3F	FA192			FA192HH	MD4013	MD4013C	VR4013			
26		DB405/5	BLM4162-3F	FA192			FA192HH	MD4013	MD4013C	VR4013			
27			BLM4163-3F	FA192			FA192HH	MD4138	MD4138C				
28		DB405/5	BLM4164-3F	FA192			FA192HH	MD4138	MD4138C	VR4138			
29		DB405/5	BLM4165-3F	FA192			FA192HH	MD4138	MD4138C	VR4138			
30				K720*									
31				K720*									
32				K720*									
33				K720*									
34		DB405/5	BLM4014-5F	FA085		FA085V	FA085HH	MD4019					
35			BLM4028-3F	FA085		FA085V	FA085HH	MD4082					
36		DB405/5	BLM4030-3F	FA085			FA085HH	MD4082					
37				FA686TT*			FA686R*	MD6398D*					
38													
39				FA686TT*			FA686R*	MD6398D*					
40													
41				FA686TT*			FA686R*	MD6398D*					
42													
43				FA686TT*			FA686R*	MD6398D*					
44													
45				FA686TT*			FA686R*	MD6398D*					
46													
47				FA686TT*			FA686R*	MD6398D*					
48													
49				FA686TT*			FA686R*	MD6398D*					
50													
51		DB302/5											
52				FA174			FA174HH	MD6232D			MD6232CX		
53				FA174			FA174HH		MD4157C	VR4157		DB405/4	
54		DB405/5		FA174			FA174HH		MD4157C	VR4157		DB405/4	
55		DB405/5		FA174			FA174HH		MD4157C	VR4157		DB405/4	
56		DB405/5		FA174			FA174HH		MD4157C	VR4157		DB405/4	
57		DB405/5		FA174			FA174HH		MD4157C	VR4157		DB405/4	
58		DB405/5		FA174			FA174HH		MD4157C	VR4157		DB405/4	
59		DB405/5		FA174			FA174HH		MD4157C	VR4157		DB405/4	
60						SXR739HH	FA739R*	MD6434D*					

REAR / ARRIÈRE / HINTEN / POSTERIOR / POSTERIORE

R Suffix = High Durability Sintered Pad. HH Suffix = High Performance Sintered Pad. TT Suffix = Hard Wearing Off Road Pad. V Suffix = Semi Sintered Pad. G Suffix = Grooved Shoe. D Suffix = Drilled Disc. X Suffix = Universal Left or Right Floating Disc. XC Suffix = Contoured Floating Disc. LS Suffix = Left/Steel Disc. RS = Right/Steel Disc.

*-2 Sets Required. † For Vee disc colours add RED, BLU, GRN, GLD, ORG suffix to part number.

⊙ - Also available as a Vintage Motorcycle Disc. ★ - EPFA available. ⚙ - Disc made of Billet steel. ♦ - CE solid discs for Enduro use.

Part numbers, prefixes, suffixes, photos and illustrations shown in this catalogue are trademarks and/or copyrights of EBC Brakes or the trademark owner A C Freeman Investments Ltd and use without express written permission of the owners is punishable by law.

JAPANESE Built Motorcycles

BRAKE APPLICATIONS

Line #	BRAKE DISC CHOICES - FRONT			DISC PAD CHOICES - REAR				BRAKE DISC CHOICES - REAR					
	SMX Oversize 320mm Disc Kit Front Left	Front disc bolt kit	Front Brake Line	FA, SFA, TT Pad or Brake Shoe	SFAC Carbon Scooter Pads	Speciality Pads - SXR / Vee / MXS	Sintered HH/R Pads/ Grooved Shoes	Standard Replacement Disc	Contour Disc Rear Fitment	Vee Discs CONTOUR	CX Extreme MX Race Disc / UTVX Disc	Rear disc bolt kit	Rear Brake Line
1							FA266HH★	MD4182					
2							FA266HH★	MD4182					
3				FA228			FA228HH						
4				FA228			FA228HH						
5				FA228			FA228HH						
6							FA266HH★	MD4182					
7							FA129HH		MD4157C	VR4157		DB405/4	
8													
9							FA129HH		MD4157C	VR4157		DB405/4	
10													
11							FA129HH		MD4157C	VR4157		DB405/4	
12													
13							FA129HH		MD4157C	VR4157		DB405/4	
14													
15							FA129HH		MD4157C	VR4157		DB405/4	
16													
17							FA129HH		MD4157C	VR4157		DB405/4	
18													
19							FA129HH		MD4157C	VR4157		DB405/4	
20													
21							FA129HH		MD4157C	VR4157		DB405/4	
22													
23		DB405/5		FA129			FA129HH★	MD4015					
24			BLM4142-2F	FA192			FA192HH		MD4138C	VR4138			
25				FA192			FA192HH		MD4138C	VR4138			
26			BLM4146-3F	FA436			FA436HH		MD4165C	VR4165			
27			BLM4185-4F	FA436			FA436HH		MD4165C	VR4165			
28													
29				FA036				MD4077⊙					
30													
31				FA036				MD4077⊙					
32				FA192			FA192HH		MD4157C	VR4157		DB405/4	
33				FA192			FA192HH		MD4157C	VR4157		DB405/4	
34				FA192			FA192HH		MD4157C	VR4157		DB405/4	
35				FA192			FA192HH		MD4157C	VR4157		DB405/4	
36		DB405/5		FA192			FA192HH		MD4157C	VR4157		DB405/4	
37													
38				FA036				MD4077⊙					BLM4081-1R
39													BLM4075-1R
40				FA068		FA085V	FA068HH	MD4054					
41			BLM4077-3F	FA068		FA085V	FA068HH	MD4054					
42													BLM4078-1R
43				FA068		FA085V	FA068HH	MD4054					
44				FA192			FA192HH						
45				FA068		FA085V	FA068HH	MD4054					
46				FA192			FA192HH		MD4157C	VR4157		DB405/4	
47													BLM4083-1R
48				FA036				MD4090⊙					
49				FA192			FA192HH		MD4157C	VR4157		DB405/4	
50				FA192			FA192HH		MD4157C	VR4157		DB405/4	
51				FA192			FA192HH		MD4157C	VR4157		DB405/4	
52				FA192			FA192HH		MD4157C	VR4157		DB405/4	
53													BLM4080-1R
54				FA036				MD4077⊙					BLM4080-1R
55													
56				FA036				MD4077⊙					
57		DB405/5	BLM4132-2F	FA192			FA192HH	MD4138	MD4138C	VR4138			
58			BLM4070-2F	FA174			FA174HH		MD4157C	VR4157		DB405/4	
59				FA174			FA174HH		MD4157C	VR4157		DB405/4	
60				FA192			FA192HH		MD4157C	VR4157		DB405/4	

REAR / ARRIÈRE / HINTEN / POSTERIOR / POSTERIORE

*-2 Sets Required. † For Vee disc colours add RED, BLU, GRN, GLD, ORG suffix to part number.

⊙ - Also available as a Vintage Motorcycle Disc. ★ - EPFA available. ⊕ Disc made of Billet steel. ◆ CE solid discs for Enduro use.

Part numbers, prefixes, suffixes, photos and illustrations shown in this catalogue are trademarks and/or copyrights of EBC Brakes or the trademark owner A C Freeman Investments Ltd and use without express written permission of the owners is punishable by law.

R Suffix = High Durability Sintered Pad. HH Suffix = High Performance Sintered Pad. TT Suffix = Hard Wearing Off Road Pad. V Suffix = Semi Sintered Pad. G Suffix = Grooved Shoe. D Suffix = Drilled Disc. X Suffix = Universal Left or Right Floating Disc. XC Suffix = Contoured Floating Disc. LS Suffix = Left/Steel Disc. RS = Right/Steel Disc.

JAPANESE Built Motorcycles



KAWASAKI Contd.



DISC PAD CHOICES - FRONT

BRAKE DISC CHOICES - FRONT

FRONT / AVANT / VORN / FRENTE / ANTERIORE

FA, SFA, TT Pad or Brake Shoe	SFAC Carbon Scooter Pads	Speciality Pads - SXR / Vee / MXS	Sintered/HH Pads/ Grooved Shoes	Standard Replacement Discs	Contour Disc Universal Left and Right	Vee-Discs Black † See note below	CX Extreme Disc / UTVX Disc	OSX Oversize 250mm or 280mm
Z 1000 ZR 1000			FA379HH*★		MD4152XC*	VR4152BLK*†		
Z H2 Performance ZR1000			FA630HH*★	MD4184X*				
Z H2 SE Performance ZR1000			FA447HH*★	MD4184X*				
Z H2 ZR1000			FA630HH*★	MD4184X*				
ZL 1000	FA085*	FA085V*	FA085HH*	MD4016*				
ZX 10 R Ninja 30th Ann Ed ZX 1000			FA379HH*★		MD4161XC*	VR4161BLK*†		
ZX 10 R Ninja KRT Edition			FA447HH*★	MD4170X*				
ZX 10 R Ninja SE Model ZX-1002			FA447HH*★	MD4170X*				
ZX 10 R Ninja Winter Test Ed ZX 1000			FA447HH*★	MD4170X*				
ZX 10 R Ninja ZX 1000			FA447HH*★	MD4170X*				
ZX 10 R Ninja ZX 1002			FA447HH*★	MD4170X*				
ZX 10 R Ninja ZX 1002 40th Ann Ed			FA447HH*★	MD4170X*				
ZX 10 RR Ninja ZX 1000			FA447HH*★	MD4175X*				
ZX-10 ZX 1000	FA129*	FA129V*	FA129HH*	MD4021*				
GPZ 1100 A	FA085*	FA085V*	FA085HH*	MD4016*				
GPZ 1100 B1	FA068*	FA068V*	FA068HH*	MD4006LS				
				MD4006RS				
GPZ 1100 B2	FA068*	FA068V*	FA068HH*	MD4038*				
GPZ 1100 E1/E2	FA229	FA229V	FA229HH*	MD4008X*	MD4008XC*	VR4008BLK*†		
	FA231	FA231V	FA231HH*					
GPZ 1100 F1	FA229	FA229V	FA229HH*	MD4132X*	MD4132XC*	VR4132BLK*†		
	FA231	FA231V	FA231HH*	MD4008X	MD4008XC	VR4008BLK*†		
Z 1100 A	FA068*	FA068V*	FA068HH*	MD4006LS				
				MD4006RS				
Z 1100 D Spectre	FA068*	FA068V*	FA068HH*	MD4006LS				
				MD4006RS				
Z 1100 R1 Lawson Replica	FA085*	FA085V*	FA085HH*	MD4038*				
ZR 1100 Zephyr	FA158*		FA158HH*★	MD4012X*	MD4012XC*	VR4012BLK*†		
ZR 1100 Zephyr	FA229	FA229V	FA229HH*	MD4012X*	MD4012XC*	VR4012BLK*†		
ZR 1100 Zephyr	FA231	FA231V	FA231HH*	MD4012X*	MD4012XC*	VR4012BLK*†		
ZR 1100 Zephyr 1100 RS	FA229	FA229V	FA229HH*	MD4012X*	MD4012XC*	VR4012BLK*†		
ZR 1100 Zephyr 1100 RS	FA231	FA231V	FA231HH*	MD4012X*	MD4012XC*	VR4012BLK*†		
ZRX 1100 ZR 1100	FA188*		FA188HH*★	MD4012X*	MD4012XC*	VR4012BLK*†		
ZZR 1100 ZX 1100 C	FA158*		FA158HH*★	MD4012X*	MD4012XC*	VR4012BLK*†		
ZZR 1100 ZX 1100 D	FA158*		FA158HH*★	MD4022X*	MD4022XC*	VR4022BLK*†		
ZRX 1200 R ZR	FA188*		FA188HH*★	MD4012X*	MD4012XC*	VR4012BLK*†		
ZRX 1200 S ZR	FA188*		FA188HH*★	MD4012X*	MD4012XC*	VR4012BLK*†		
ZX 12 R ZX	FA188*		FA188HH*★	MD4022X*	MD4022XC*	VR4022BLK*†		
ZX 12 R ZX			FA369/4HH*★	MD4154X*	MD4154XC*	VR4154BLK*†		
ZZR 1200 C	FA158*		FA158HH*★	MD4022X*	MD4022XC*	VR4022BLK*†		
Z 1300 A1-A5	FA062*			MD4089LS⊙				
				MD4089RS				
ZG 1300 A1-A3	FA062*			MD4089LS⊙				
				MD4089RS				
GTR 1400 ZG			FA417/4HH*★	MD4155X*				
GTR 1400 ZG			FA417/4HH*★	MD4155X*				
ZZR 1400			FA417/4HH*★	MD4155X*				
ZZR 1400			FA417/4HH*★	MD4155X*				
ZZR 1400 Performance			FA447HH*★	MD4155X*				
ZZR 1400 Performance Sport			FA447HH*★	MD4155X*				
ZZR 1400 ZG			FA417/4HH*★	MD4155X*				
ZZR 1400 ZG			FA417/4HH*★	MD4155X*				
VN 1500 Classic	FA229	FA229V	FA229HH*	MD4131LS				
VN 1500 Classic Fi	FA229	FA229V	FA229HH*	MD4125LS				
VN 1500 Classic Tourer	FA229		FA229HH*	MD4150*				
	FA231		FA231HH*					
VN 1500 Classic Tourer Fi	FA229		FA229HH*	MD4150*				
	FA231		FA231HH*					
VN 1500 Drifter	FA229		FA229HH*	MD4125LS				
VN 1500 Mean Streak	FA188*		FA188HH*★	MD4022X*	MD4022XC*	VR4022BLK*†		

Line #
1
2
3
4
5
6
7
8
9
10
11
12
13
14
15
16
17
18
19
20
21
22
23
24
25
26
27
28
29
30
31
32
33
34
35
36
37
38
39
40
41
42
43
44
45
46
47
48
49
50
51
52
53
54
55
56
57
58
59
60

R Suffix = High Durability Sintered Pad. **HH** Suffix = High Performance Sintered Pad. **TT** Suffix = Hard Wearing Off Road Pad. **V** Suffix = Semi Sintered Pad. **G** Suffix = Grooved Shoe.
D Suffix = Drilled Disc. **X** Suffix = Universal Left or Right Floating Disc. **XC** Suffix = Contoured Floating Disc. **LS** Suffix = Left/Steel Disc. **RS** = Right/Steel Disc.

*-2 Sets Required. † For Vee disc colours add RED, BLU, GRN, GLD, ORG suffix to part number.

⊙ - Also available as a Vintage Motorcycle Disc. ★ - EPFA available. ⊕ Disc made of Billet steel. ◆ CE solid discs for Enduro use.

JAPANESE Built Motorcycles

BRAKE APPLICATIONS

Line #	BRAKE DISC CHOICES - FRONT			DISC PAD CHOICES - REAR				BRAKE DISC CHOICES - REAR					
	SMX Oversize 320mm Disc Kit Front Left	Front disc bolt kit	Front Brake Line	FA, SFA, TT Pad or Brake Shoe	SFAC Carbon Scooter Pads	Speciality Pads - SXR / Vee / MXS	Sintered HH/R Pads/ Grooved Shoes	Standard Replacement Disc	Contour Disc Rear Fitment	Vee Discs CONTOUR	CX Extreme MX Race Disc / UTVX Disc	Rear disc bolt kit	Rear Brake Line
1				FA192			FA192HH		MD4157C	VR4157		DB405/4	
2							FA174HH						
3							FA174HH						
4							FA174HH						
5		DB405/5	BLM4128-3F	FA085		FA085V	FA085HH	MD4017					
6				FA436			FA436HH		MD4165C				
7		DB405/5		FA436			FA436HH	MD4165					
8		DB405/5		FA436			FA436HH	MD4165					
9		DB405/5		FA436			FA436HH	MD4165					
10		DB405/5		FA436			FA436HH	MD4165					
11		DB405/5		FA436			FA436HH	MD4165					
12		DB405/5		FA436			FA436HH	MD4165					
13		DB405/5		FA436			FA436HH	MD4165					
14		DB405/5	BLM4141-3F	FA129			FA129HH★	MD4015					
15		DB405/5	BLM4015-5F	FA085		FA085V	FA085HH	MD4017					
16													
17				FA068		FA085V	FA068HH	MD4054					
18				FA068		FA085V	FA068HH	MD4054					
19		DB405/5	BLM4016-3F				FA192HH	MD4130	MD4130C	VR4130			
20		DB405/5	BLM4016-3F										
21		DB405/5					FA129HH	MD4130	MD4130C	VR4130			
22		DB405/5											
23													BLM4086-1R
24				FA068		FA085V	FA068HH	MD4054					
25													
26				FA068		FA085V	FA068HH	MD4054					
27				FA068		FA085V	FA068HH	MD4054					
28		DB405/5	BLM4133-3F	FA129			FA129HH★	MD4027	MD4027C	VR4027			
29		DB405/5	BLM4133-3F	FA129			FA129HH★	MD4027	MD4027C	VR4027			
30		DB405/5	BLM4133-3F	FA129			FA129HH★	MD4027	MD4027C	VR4027			
31		DB405/5		FA129			FA129HH★	MD4027	MD4027C	VR4027			
32		DB405/5		FA129			FA129HH★	MD4027	MD4027C	VR4027			
33		DB405/5	BLM4138-3F	FA161			FA161HH	MD4133	MD4133C	VR4133			
34		DB405/5	BLM4174-3F	FA129			FA129HH★	MD4015	MD4015C	VR4015			
35		DB405/5	BLM4175-3F	FA161			FA161HH	MD4014	MD4015C	VR4014			
36		DB405/5	BLM4139-3F	FA161			FA161HH	MD4133	MD4133C	VR4133			
37		DB405/5		FA161			FA161HH	MD4133	MD4133C	VR4133			
38		DB405/5	BLM4147-3F	FA161			FA161HH	MD4023	MD4023C	VR4023			
39		DB405/5		FA161			FA161HH	MD4023	MD4023C	VR4023			
40		DB405/5	BLM4176-3F	FA161			FA161HH	MD4133	MD4133C	VR4133			
41								MD4090⊕					BLM4090-1R
42				FA036									
43								MD4090⊕					BLM4090-1R
44				FA036									
45		DB405/5		FA254			FA254HH★		MD4160C				
46		DB405/5		FA254			FA254HH★		MD4160C				
47		DB405/5	BLM4177-3F	FA254			FA254HH★		MD4157C	VR4157		DB405/4	
48		DB405/5		FA254			FA254HH★		MD4157C	VR4157		DB405/4	
49		DB405/5		FA254			FA254HH★		MD4157C	VR4157		DB405/4	
50		DB405/5		FA254			FA254HH★		MD4157C	VR4157		DB405/4	
51		DB405/5		FA254			FA254HH★		MD4157C	VR4157		DB405/4	
52		DB405/5	BLM4177-3F	FA254			FA254HH★		MD4157C	VR4157		DB405/4	
53			BLM4057-1F	FA085			FA085HH	MD4128⊕					
54				FA231			FA231HH★	MD4148					
55													
56				FA085			FA085HH	MD4147					
57													
58				FA231			FA231HH★	MD4147					
59				FA231			FA231HH★	MD4148					
60		DB405/5		FA231			FA231HH★	MD4146					

REAR / ARRIÈRE / HINTEN / POSTERIOR / POSTERIORE

*-2 Sets Required. † For Vee disc colours add RED, BLU, GRN, GLD, ORG suffix to part number.

⊕ - Also available as a Vintage Motorcycle Disc. ★ - EPFA available. ⊕ Disc made of Billet steel. ◆ CE solid discs for Enduro use.

Part numbers, prefixes, suffixes, photos and illustrations shown in this catalogue are trademarks and/or copyrights of EBC Brakes or the trademark owner A C Freeman Investments Ltd and use without express written permission of the owners is punishable by law.

R Suffix = High Durability Sintered Pad. HH Suffix = High Performance Sintered Pad. TT Suffix = Hard Wearing Off Road Pad. V Suffix = Semi Sintered Pad. G Suffix = Grooved Shoe. D Suffix = Drilled Disc. X Suffix = Universal Left or Right Floating Disc. XC Suffix = Contoured Floating Disc. LS Suffix = Left/Steel Disc. RS = Right/Steel Disc.

JAPANESE Built Motorcycles



KAWASAKI Contd.



DISC PAD CHOICES - FRONT

BRAKE DISC CHOICES - FRONT

Model	Year	FA, SFA, TT Pad or Brake Shoe	SFAC Carbon Scooter Pads	Speciality Pads - SXR / Vee / MXS	Sintered/HH Pads/ Grooved Shoes	Standard Replacement Discs	Contour Disc Universal Left and Right	Vee-Discs Black † See note below	CX Extreme Disc / UTVX Disc	OSX Oversize 250mm or 280mm	Line #
VN 1500 VN 15 SE	1988-1992	FA085		FA085V	FA085HH	MD4094LS					1
VN 1500 VN15	1992	FA085		FA085V	FA085HH	MD4124LS					2
VN 1500 VN15	1994-1995	FA085		FA085V	FA085HH	MD4124LS					3
VN 1600 Classic	Left 2003-2008	FA229		FA229V	FA229HH★	MD4158*					4
	Right 2003-2008	FA231		FA231V	FA231HH★						5
VN 1600 Classic Tourer	Left 2005-2008	FA229			FA229HH★	MD4158*					6
	Right 2005-2008	FA231			FA231HH★						7
VN 1600 Mean Streak	2004	FA188*			FA188HH*★	MD4022X*	MD4022XC*	VR4022BLK*†			8
VN 1600 Mean Streak	2005-2008				FA369/4HH*★	MD4022X*	MD4022XC*	VR4022BLK*†			9
VN 1700 Classic	Left 2009	FA229			FA229HH★	MD4158*					10
	Right 2009	FA231			FA231HH★						11
VN 1700 Classic	2010-2014	FA158*			FA158HH*★	MD4158*					12
VN 1700 Classic Tourer	Left 2009	FA229			FA229HH★	MD4158*					13
	Right 2009	FA231			FA231HH★						14
VN 1700 Classic Tourer	2010-2014	FA158*			FA158HH*★	MD4158*					15
VN 1700 Voyager	2009-2020	FA158*			FA158HH*★	MD4158*					16
VN 1700 Voyager Custom	2011-2014	FA158*			FA158HH*★	MD4158*					17
VN 1700 Vulcan 1700 Nomad	2015-2016	FA158*			FA158HH*★	MD4158*					18
VN 2000	2004-2007	FA158*			FA158HH*★	MD4158*					19
VN 2000 Classic	2008-2009	FA158*			FA158HH*★	MD4158*					20
Ninja e-1 Electric	2024	FA197			FA197HH						21
Z E-1 Electric	2024	FA197			FA197HH						22
											23
											24
											25
											26
											27
											28
											29
											30
											31
											32
											33
											34
											35
											36
											37
											38
											39
											40
											41
											42
											43
											44
											45
											46
											47
											48
											49
											50
											51
											52
											53
											54
											55
											56
											57
											58
											59
											60

FRONT / AVANT / VORN / FRENTE / ANTERIORE

R Suffix = High Durability Sintered Pad. HH Suffix = High Performance Sintered Pad. TT Suffix = Hard Wearing Off Road Pad. V Suffix = Semi Sintered Pad. G Suffix = Grooved Shoe.

D Suffix = Drilled Disc. X Suffix = Universal Left or Right Floating Disc. XC Suffix = Contoured Floating Disc. LS Suffix = Left/Steel Disc. RS = Right/Steel Disc.

*-2 Sets Required. † For Vee disc colours add RED, BLU, GRN, GLD, ORG suffix to part number.

⊗ - Also available as a Vintage Motorcycle Disc. ★ - EPFA available. ⚙ Disc made of Billet steel. ♦ CE solid discs for Enduro use.

58 Part numbers, prefixes, suffixes, photos and illustrations shown in this catalogue are trademarks and/or copyrights of EBC Brakes or the trademark owner A C Freeman Investments Ltd and use without express written permission of the owners is punishable by law.

JAPANESE Built Motorcycles

BRAKE APPLICATIONS

Line #	BRAKE DISC CHOICES - FRONT			DISC PAD CHOICES - REAR				BRAKE DISC CHOICES - REAR					
	SMX Oversize 320mm Disc Kit Front Left	Front disc bolt kit	Front Brake Line	FA, SFA, TT Pad or Brake Shoe	SFAC Carbon Scooter Pads	Speciality Pads - SXR / Vee / MXS	Sintered HH/R Pads/ Grooved Shoes	Standard Replacement Disc	Contour Disc Rear Fitment	Vee Discs CONTOUR	CX Extreme MX Race Disc / UTVX Disc	Rear disc bolt kit	Rear Brake Line
1				FA085		FA085V	FA085HH	MD4054					
2				FA085		FA085V	FA085HH	MD4054					
3				FA085		FA085V	FA085HH	MD4128⊕					
4													
5				FA231			FA231HH★	MD4146					
6													
7				FA231			FA231HH★	MD4146					
8		DB405/5	BLM4061-3F	FA231			FA231HH★	MD4146					
9		DB405/5	BLM4061-3F	FA231			FA231HH★	MD4146					
10													
11				FA231			FA231HH★						
12				FA231			FA231HH★						
13													
14				FA231			FA231HH★						
15				FA231			FA231HH★						
16				FA231			FA231HH★						
17				FA231			FA231HH★						
18							FA231HH★						
19				FA231			FA231HH★						
20				FA231			FA231HH★						
21				FA197									
22				FA197									
23													
24													
25													
26													
27													
28													
29													
30													
31													
32													
33													
34													
35													
36													
37													
38													
39													
40													
41													
42													
43													
44													
45													
46													
47													
48													
49													
50													
51													
52													
53													
54													
55													
56													
57													
58													
59													
60													

REAR / ARRIÈRE / HINTEN / POSTERIOR / POSTERIORE

*-2 Sets Required. † For Vee disc colours add RED, BLU, GRN, GLD, ORG suffix to part number.

⊕ - Also available as a Vintage Motorcycle Disc. ★ - EPFA available. ⊕ Disc made of Billet steel. ◆ CE solid discs for Enduro use.

Part numbers, prefixes, suffixes, photos and illustrations shown in this catalogue are trademarks and/or copyrights of EBC Brakes or the trademark owner A C Freeman Investments Ltd and use without express written permission of the owners is punishable by law.

R Suffix = High Durability Sintered Pad. **HH** Suffix = High Performance Sintered Pad. **TT** Suffix = Hard Wearing Off Road Pad. **V** Suffix = Semi Sintered Pad. **G** Suffix = Grooved Shoe. **D** Suffix = Drilled Disc. **X** Suffix = Universal Left or Right Floating Disc. **XC** Suffix = Contoured Floating Disc. **LS** Suffix = Left/Steel Disc. **RS** = Right/Steel Disc.

JAPANESE Built Motorcycles



SUZUKI



DISC PAD CHOICES - FRONT

BRAKE DISC CHOICES - FRONT

FRONT / AVANT / VORN / FRENTE / ANTERIORE

Line #

Model	Year	FA, SFA, TT Pad or Brake Shoe	SFAC Carbon Scooter Pads	Speciality Pads - SXR / Vee / MXS	Sintered/HH Pads/ Grooved Shoes	Standard Replacement Discs	Contour Disc Universal Left and Right	Vee-Discs Black † See note below	CX Extreme Disc / UTVX Disc	OSX Oversize 250mm or 280mm
A 50	1971-1976	S603								
AD 50 T/Tune/V-Tune	1988	SFA083	SFAC083		SFA083HH					
AE 50 Style	1990-1996	S632								
AH 50 N Address	1992-1995	S624								
AH 50 N Address CA1GA	1992-1995	SFA083	SFAC083		SFA083HH					
AJ 50 Z/RS Sepia	1992	SFA083	SFAC083		SFA083HH					
AP 50	1975-1978	S603								
AP 50	1996-2002	SFA193	SFAC193		SFA193HH	MD937D				
AY 50	2001-2005	SFA115	SFAC115		SFA115HH	MD938D		VR938		
AY 50 Katana	1997-2004	SFA193	SFAC193		SFA193HH	MD938D		VR938		
AY 50 Katana	1999-2004	SFA193	SFAC193		SFA193HH	MD938D		VR938		
AZ 50 7/8 Let 4/G CA45A	2007-2008	S632								
AZ 50 LETS II	1999	S632								
AZ 50 ZZ Inch Up Sport	2000-2002	SFA396			SFA396HH					
CL 50 D Suzi/Love	1983	S614			S614G					
CP 50 CHF CA14C	1985	S624								
CS 50 Z/D Roadie	1983-1984	S613								
CX 50 DF CA15A	1985	S614			S614G					
DR-Z 50	2018-2023	H301								
F 50	1971-1973	S603								
FR 50	1974-1981	S603								
FS 50 T/X Snip	1981-1982	S614			S614G					
FZ 50 Suzy	1980-1996	S601								
GS 50 K5 NA41A	2005	S604								
GT 50 KB/KEN	1977-1980	FA039								
JR 50 All models	1978-2007	S613			S613G					
LT 50	1986-2002									
LT-A 50 Quadmaster	2002-2005	S614*			S614G*					
LT-Z 50 Quadspout	2006-2023	S614*			S614G*					
OR 50 ET	1980	FA067								
RB 50 H GSXR 50	1987	FA067				MD3010LS				
RM 50 C/N/T	1978-1980	S603			S603G					
RM 50 X/Z	1981-1982	S604			S604G					
TR 50 SW/SX Street Magic	1998-2000	SFA396			SFA396HH	MD911D		VR911		
TS 50 ER	1980-1983	S603			S603G					
TS 50 KN	1979	S603			S603G					
TS 50 X	1984-2002	S617								
UF 50 Y Estilete	2000-2002	SFA115			SFA115HH	MD938D		VR938		
UR 50 CA1MA/B Verde	1999-2003	S632								
UX 50 WX/WY Zillion	1999-2002	SFA193			SFA193HH	MD938D		VR938		
ZR 50	1983-1987	FA067			FA067HH					
ZR 50 SLKX	1981	FA067			FA067HH					
ZR 50 X1	1979-1983	FA039								
RM 60	2003	K715			K715G					
RM 65	2003-2005	FA302TT		MXS302	FA302R	MD6166D			MD6166CX	
DR-Z 70	2008-2017	H301								
FR 70	1974-1976	S603								
AH 80 Address	1992-1994	SFA083	SFAC083		SFA083HH	MD939D				
CP 80 CHF	1985-1993	S624								
CS 80 CD	1983	S601								
DS 80	1980-2000	S604			S604G					
FR 80	1976-1983	S603								
JR 80	2001-2007	S604			S604G					
LT 80	1987-2006	S614*			S614G*					
RM 80	1977-1979	S603			S603G					
RM 80	1980-1981	S604			S604G					
RM 80	1982-1985	S615								
RM 80	1983-1985	S602			S602G					
RM 80 RC12A	1986-1989	FA083TT			FA083R	MD6018D	MD6018C			
RM 80 RC12A	1990-1995	FA083TT			FA083R	MD6018D	MD6018C			

*-2 Sets Required. † For Vee disc colours add RED, BLU, GRN, GLD, ORG suffix to part number.

⊗ - Also available as a Vintage Motorcycle Disc. ★ - EPFA available. ⚙ - Disc made of Billet steel. ♦ - CE solid discs for Enduro use.

JAPANESE Built Motorcycles

Line #	BRAKE DISC CHOICES - FRONT			DISC PAD CHOICES - REAR				BRAKE DISC CHOICES - REAR					
	SMX Oversize 320mm Disc Kit Front Left	Front disc bolt kit	Front Brake Line	FA, SFA, TT Pad or Brake Shoe	SFAC Carbon Scooter Pads	Speciality Pads - SXR / Vee / MXS	Sintered HH/R Pads/ Grooved Shoes	Standard Replacement Disc	Contour Disc Rear Fitment	Vee Discs CONTOUR	CX Extreme MX Race Disc / UTVX Disc	Rear disc bolt kit	Rear Brake Line
1				S603									
2				S632									
3				S632									
4				S624									
5				S624									
6				S624									
7				S603									
8				S624									
9				SFA115	SFAC115		SFA115HH	MD940D		VR940			
10				S624									
11				SFA115	SFAC115		SFA115HH	MD940D		VR940			
12				S624									
13				S624									
14													
15				S613									
16				S624									
17				S613									
18				S614									
19				H301									
20				S603									
21				S603									
22				S614									
23				S601									
24				S604									
25				S603									
26				S613			S613G						
27				S613			S613G						
28				S604			S604G						
29				S604			S604G						
30				S604									
31				S604									
32				S603			S603G						
33				S604			S604G						
34				897									
35				S604			S604G						
36				S603			S603G						
37				S601									
38				S624									
39				S624									
40				S624									
41				S604									
42				S604									
43				S603									
44				K715			K715G						
45		DB403/4		FA054TT			FA054R	MD6166D			MD6166CX		
46				H301									
47				S603									
48				S624									
49				S624									
50				S601									
51				S604			S604G						
52				S603									
53				S604			S604G						
54				S618			S618G						
55				S603			S603G						
56				S604			S604G						
57				Y502			Y502G						
58				S604			S604G						
59				Y502			Y502G						
60				FA083TT			FA083R	MD6025D	MD6025C				

REAR / ARRIÈRE / HINTEN / POSTERIOR / POSTERIORE

R Suffix = High Durability Sintered Pad. **HH** Suffix = High Performance Sintered Pad. **TT** Suffix = Hard Wearing Off Road Pad. **V** Suffix = Semi Sintered Pad. **G** Suffix = Grooved Shoe.
D Suffix = Drilled Disc. **X** Suffix = Universal Left or Right Floating Disc. **XC** Suffix = Contoured Floating Disc. **LS** Suffix = Left/Steel Disc. **RS** = Right/Steel Disc.

BRAKE APPLICATIONS

*-2 Sets Required. † For Vee disc colours add RED, BLU, GRN, GLD, ORG suffix to part number.

⊙ - Also available as a Vintage Motorcycle Disc. ★ - EPFA available. ⚙ - Disc made of Billet steel. ♦ - CE solid discs for Enduro use.

Part numbers, prefixes, suffixes, photos and illustrations shown in this catalogue are trademarks and/or copyrights of EBC Brakes or the trademark owner A C Freeman Investments Ltd and use without express written permission of the owners is punishable by law.

JAPANESE Built Motorcycles



SUZUKI Contd.



DISC PAD CHOICES - FRONT

BRAKE DISC CHOICES - FRONT

FRONT / AVANT / VORN / FRENTE / ANTERIORE

FA, SFA, TT Pad or Brake Shoe	SFAC Carbon Scooter Pads	Speciality Pads - SXR / Vee / MXS	Sintered/HH Pads/ Grooved Shoes	Standard Replacement Discs	Contour Disc Universal Left and Right	Vee-Discs Black † See note below	CX Extreme Disc / UTVX Disc	OSX Oversize 250mm or 280mm
RM 80 RC12A			FA230R	MD6018D	MD6018C			OSX6018
RM 85 BW			FA258R	MD6030D	MD6030C		MD6030CX	OSXS6030
RM 85 RC12A			FA230R	MD6018D	MD6018C			OSX6018
RM 85			FA258R	MD6030D	MD6030C		MD6030CX	OSXS6030
FB 90 K1 BD42A			S602					
LT-Z 90 QuadSport			S604*	S604G*				
TS 90 Blazer			S603	S603G				
A 100 All Models			S603					
ACC 100			S602					
AH 100 Address	SFA083	SFAC083	SFA083HH	MD939D				
AH 100 P Address CE12A	SFA083	SFAC083	SFA083HH	MD912D				
ASS 100			S602					
GP 100 C/N/X/DED			FA046					
GP 100 U			S602					
RM 100 A/B/C			S603	S603G				
RM 100 K3			FA258TT	FA258R	MD6186D	MD6186C	MD6186CX	OSX6186
RM 100 N/T/X			S603	S603G				
TS 100 ER			S602	S602G				
TS 100 ERZ/ERH			S602	S602G				
TS 100 K/L/M			S603	S603G				
110cc Smash			S603					
DR-Z 110			K715	K715G				
UG 110 Hokuto/Address	SFA396		SFA396HH	MD911D		VR911		
UK 110 Address	SFA396		SFA396HH					
UK 110 Address	SFA652							
B 120			S602					
AN 125	SFA396		SFA396HH	MD911D		VR911		
AN 125 HKK5	SFA083/2		SFA083/2HH	MD911D		VR911		
CS 125 D			S603					
DR 125			S602	S602G				
DR 125			FA054TT	FA054R	MD6073D			
DR 125			FA054TT	FA054R	MD6073D			
DR 125		MXS185	FA185R	MD6017D			MD6017CX	
DR-Z 125			S604					
DR-Z 125 L			FA230TT	FA230R	MD6212D			
EN 125-2			FA135TT					
EN 125-2 A			FA135TT					
FL 125 Address/Underbone	SFA197	SFAC197	SFA197HH	MD9120D				
GN 125 LC6PCJB1/Chinese prod	FA067		FA067HH					
GN 125 NF41A	FA093							
GN 125 NF41A	FA067		FA067HH					
GN 125 NF41A	FA067		FA067HH					
GP 125	FA056							
GS 125 ES	FA093							
GS 125 ESR/ESX	FA067		FA067HH					
GS 125 ESZ	FA067		FA067HH					
GS 125 Z/D	S602							
GSX-R 125	FA715		FA715HH		MD3110C			
GSX-S 125	FA715		FA715HH		MD3110C			
GT 125	FA055							
GT 125 C/EC/EN	FA038							
GX 125 SJ 125	FA093							
GZ 125 Marauder	FA106TT							
LT 125								
LT 125 D								
LT 125 E								
RG 125 Gamma NF12A	FA110			MD3048LS				
RG 125 Gamma NF12A	FA110			MD3048LS				
RG 125 Gamma NF13A	FA158		FA158HH★	MD3045				
RG 125 Gamma NF13B	FA158		FA158HH★	MD3045				

Line #

R Suffix = High Durability Sintered Pad. HH Suffix = High Performance Sintered Pad. TT Suffix = Hard Wearing Off Road Pad. V Suffix = Semi Sintered Pad. G Suffix = Grooved Shoe.
D Suffix = Drilled Disc. X Suffix = Universal Left or Right Floating Disc. XC Suffix = Contoured Floating Disc. LS Suffix = Left/Steel Disc. RS = Right/Steel Disc.

*-2 Sets Required. † For Vee disc colours add RED, BLU, GRN, GLD, ORG suffix to part number.

⊗ - Also available as a Vintage Motorcycle Disc. ★ - EPFA available. ⚙ Disc made of Billet steel. ♦ CE solid discs for Enduro use.

JAPANESE Built Motorcycles

Line #	BRAKE DISC CHOICES - FRONT			DISC PAD CHOICES - REAR				BRAKE DISC CHOICES - REAR					
	SMX Oversize 320mm Disc Kit Front Left	Front disc bolt kit	Front Brake Line	FA, SFA, TT Pad or Brake Shoe	SFAC Carbon Scooter Pads	Speciality Pads - SXR / Vee / MXS	Sintered HH/R Pads/ Grooved Shoes	Standard Replacement Disc	Contour Disc Rear Fitment	Vee Discs CONTOUR	CX Extreme MX Race Disc / UTVX Disc	Rear disc bolt kit	Rear Brake Line
1				FA083TT			FA083R	MD6025D	MD6025C				
2		DB301/4		FA401TT			FA401R	MD6246D			MD6246CX		
3				FA083TT			FA083R	MD6025D	MD6025C				
4		DB301/4		FA401TT			FA401R	MD6246D			MD6246CX		
5				S602									
6				S618			S618G						
7				S602			S602G						
8				S603									
9				S602									
10				S624									
11				S624									
12				S603									
13				S603									
14				S603									
15				S602			S602G						
16		DB403/6		FA084TT			FA084R	MD6187D			MD6187CX		
17				S617									
18				S602			S602G						
19				S604			S604G						
20				S602			S602G						
21				S603									
22				S603			S603G						
23				897									
24				S624									
25				S624									
26				S602									
27				S624									
28				S624									
29				S603									
30				S602			S602G						
31			BLM3004-1F	S602			S602G						
32				S602			S602G						
33				FA131TT		MXS131	FA131R	MD6014D			MD6014CX		
34				S604									
35				S604									
36				S602									
37				S602									
38				H353									
39				S602									
40				S602									
41				S602									
42				S602									
43				S602									
44				S602									
45				S602									
46				S602									
47				S602									
48				FA629			FA629HH	MD3111	MD3111C				
49				FA629			FA629HH	MD3111	MD3111C				
50				S602									
51				S602									
52				S602									
53				S602									
54				S621									
55				S621									
56				S605			S605G						
57				S602									
58				S602									
59			BLM3132-1F	FA157				MD3059					
60				FA157				MD3059					

REAR / ARRIÈRE / HINTEN / POSTERIOR / POSTERIORE

R Suffix = High Durability Sintered Pad. **HH** Suffix = High Performance Sintered Pad. **TT** Suffix = Hard Wearing Off Road Pad. **V** Suffix = Semi Sintered Pad. **G** Suffix = Grooved Shoe.
D Suffix = Drilled Disc. **X** Suffix = Universal Left or Right Floating Disc. **XC** Suffix = Contoured Floating Disc. **LS** Suffix = Left/Steel Disc. **RS** = Right/Steel Disc.

BRAKE APPLICATIONS

*-2 Sets Required. † For Vee disc colours add RED, BLU, GRN, GLD, ORG suffix to part number.

⊙ - Also available as a Vintage Motorcycle Disc. ★ - EPFA available. Ⓢ Disc made of Billet steel. ◆ CE solid discs for Enduro use.

Part numbers, prefixes, suffixes, photos and illustrations shown in this catalogue are trademarks and/or copyrights of EBC Brakes or the trademark owner A C Freeman Investments Ltd and use without express written permission of the owners is punishable by law.

JAPANESE Built Motorcycles



SUZUKI Contd.



DISC PAD CHOICES - FRONT

BRAKE DISC CHOICES - FRONT

FA, SFA, TT Pad or Brake Shoe	SFAC Carbon Scooter Pads	Speciality Pads - SXR / Vee / MXS	Sintered/HH Pads/ Grooved Shoes	Standard Replacement Discs	Contour Disc Universal Left and Right	Vee-Discs Black † See note below	CX Extreme Disc / UTVX Disc	OSX Oversize 250mm or 280mm
RG 125 UN Wolf NF13E		FA129V	FA129HH	MD3045				
RM 125			S602G					
RM 125			S602G					
RM 125			S602G					
RM 125 E			S622					
RM 125 F/G			FA106R	MD6163D				
RM 125 H		MXS135	FA135R	MD6163D				
RM 125 J		MXS135	FA135R	MD6163D				
RM 125 K		MXS185	FA185R	MD6017D			MD6017CX	OSX6017
RM 125 K/L/M		MXS135	FA135R	MD6017D			MD6017CX	OSX6017E
RM 125 RF14A		MXS135	FA135R	MD6017D			MD6017CX	OSX6017E
RM 125 TV/W		MXS185	FA185R	MD6017D			MD6017CX	OSX6017
RM 125 X		MXS185	FA185R	MD6017D			MD6017CX	OSX6017
RM 125 XCK8		MXS185	FA185R	MD6017D			MD6017CX	OSX6017
RV 125 K			S603G					
RV 125 L/M/A			S602G					
RV 125 Van-Van			FA231HH★	MD6281D				
Shogun-R FD-112			FA197HH					
T 125 II/ R Stinger			S602					
TF 125 Farm Bike All models			S602G					
TS 125 ER			S602G					
TS 125 ERZ			S602G					
TS 125 K			S603G					
TS 125 N			S602G					
TS 125 SF15A		MXS135	FA135R	MD6109D				
TS 125 XE			S602G					
TS 125 XU			FA054R	MD6073D				
TU 125 X			FA067HH					
UC 125 Epicuro			SFA396HH	MD934D				
UE 125 CTK1		SFAC083	SFA083HH	MD911D		VR911		
UH 125 Burgman		SFAC197	SFA197HH	MD9176D				
UH 125 Burgman		SFAC181	SFA181HH	MD976D		VR976		
UH 125 Burgman		SFAC388	SFA388HH	MD9117D		VR9117		
UH 125 Burgman		SFAC197	SFA197HH	MD9176D				
UH 125 New Burgman								
UK 125 Address								
UN 125 Avensis								
UX 125 SIXteen		SFAC388	SFA388HH	MD9142D				
UZ 125 CF46A V 125 G		SFA396	SFA396HH					
VL 125 Intruder								
GSX 150			FA715HH	TBC				
GSX 150			FA715HH	TBC				
GSX-R 150			FA715HH		MD3110C			
GSX-R 150			FA715HH		MD3110C			
GSX-S 150			FA715HH		MD3110C			
GSX-S 150			FA715HH		MD3110C			
UE 150 CTKI		SFAC083	SFA083HH	MD9117D		VR9117		
UX 150 SIXteen		SFAC388	SFA388HH	MD9142D				
LT 160			S624G					
LT 160 Quadsport			S624G					
LT-F 160			S624G					
PE 175 C/N			S602G					
PE 175 T/X			S602G					
PE 175 Z			S618G					
GT 185			FA055					
GT 185 K								
LT 185 E/F								
TS 185 ER			S602G					
TS 185 K			S603G					
DF 200 SH42A		MXS054	FA054R	MD6073D				

FRONT / AVANT / VORN / VORN / FRENTE / ANTERIORE

Line #

R Suffix = High Durability Sintered Pad. HH Suffix = High Performance Sintered Pad. TT Suffix = Hard Wearing Off Road Pad. V Suffix = Semi Sintered Pad. G Suffix = Grooved Shoe.

D Suffix = Drilled Disc. X Suffix = Universal Left or Right Floating Disc. XC Suffix = Contoured Floating Disc. LS Suffix = Left/Steel Disc. RS = Right/Steel Disc.

*-2 Sets Required. † For Vee disc colours add RED, BLU, GRN, GLD, ORG suffix to part number.

⊗ - Also available as a Vintage Motorcycle Disc. ★ - EPFA available. ⚙ Disc made of Billet steel. ♦ CE solid discs for Enduro use.

JAPANESE Built Motorcycles

BRAKE APPLICATIONS

Line #	BRAKE DISC CHOICES - FRONT			DISC PAD CHOICES - REAR				BRAKE DISC CHOICES - REAR					
	SMX Oversize 320mm Disc Kit Front Left	Front disc bolt kit	Front Brake Line	FA, SFA, TT Pad or Brake Shoe	SFAC Carbon Scooter Pads	Speciality Pads - SXR / Vee / MXS	Sintered HH/R Pads/ Grooved Shoes	Standard Replacement Disc	Contour Disc Rear Fitment	Vee Discs CONTOUR	CX Extreme MX Race Disc / UTVX Disc	Rear disc bolt kit	Rear Brake Line
1				FA157				MD3059					
2				S602			S602G						
3				S617									
4				S616			S616G						
5				S616			S616G						
6				S616			S616G						
7				S616			S616G						
8						MXS084/3	FA084/3R	MD6014D					
9	SMX6017			FA131TT		MXS131	FA131R	MD6305D	MD6305C		MD6305CX		
10				FA152TT		MXS152	FA152R	MD6014D			MD6014CX		
11				FA152/2TT		MXS152/2	FA152/2R	MD6014D			MD6014CX		
12	SMX6017			FA131TT		MXS131	FA131R	MD6014D			MD6014CX		
13	SMX6017			FA131TT		MXS131	FA131R	MD6157D			MD6157CX		
14	SMX6017			FA131TT		MXS131	FA131R	MD6305D	MD6305C		MD6305CX		
15				S602			S602G						
16				S602			S602G						
17				S603									
18				S603									
19				S602									
20				S602			S602G						
21				S602			S602G						
22				S604			S604G						
23				S602			S602G						
24				S602			S602G						
25			BLM3150-1F	FA152TT		MXS152	FA152R	MD6038D					
26				S627									
27				S627									
28				S602									
29		DB302/3		S635								DB302/3	
30				S624									
31				SFA413	SFAC413		SFA413HH	MD9176D					
32				SFA266	SFAC266		SFA266HH	MD975D		VR975			
33				SFA413	SFAC413		SFA413HH	MD9117D		VR9117			
34				SFA413	SFAC413		SFA413HH	MD9176D					
35				S624									
36				S624									
37				S624									
38				SFA307			SFA307HH	MD9142D					
39				S602									
40				FA629			FA629HH						
41				FA629			FA629HH						
42				FA629			FA629HH	MD3111					
43				FA629			FA629HH	MD3111	MD3111C				
44				FA629			FA629HH	MD3111	MD3111C				
45				FA629			FA629HH	MD3111	MD3111C				
46				FA629			FA629HH	MD3111	MD3111C				
47				S624									
48				SFA307			SFA307HH	MD9142D					
49				S605			S605G						
50				S605			S605G						
51				S605			S605G						
52				S602			S602G						
53				S619			S619G						
54				S619			S619G						
55				S602									
56				S602									
57				S605			S605G						
58				S602			S602G						
59				S602			S602G						
60				S602			S602G						

REAR / ARRIÈRE / HINTEN / POSTERIOR / POSTERIORE

R Suffix = High Durability Sintered Pad. **HH** Suffix = High Performance Sintered Pad. **TT** Suffix = Hard Wearing Off Road Pad. **V** Suffix = Semi Sintered Pad. **G** Suffix = Grooved Shoe. **D** Suffix = Drilled Disc. **X** Suffix = Universal Left or Right Floating Disc. **XC** Suffix = Contoured Floating Disc. **LS** Suffix = Left/Steel Disc. **RS** = Right/Steel Disc.

*-2 Sets Required. † For Vee disc colours add RED, BLU, GRN, GLD, ORG suffix to part number.

⊙ - Also available as a Vintage Motorcycle Disc. ★ - EPFA available. ⚙ Disc made of Billet steel. ♦ CE solid discs for Enduro use.

Part numbers, prefixes, suffixes, photos and illustrations shown in this catalogue are trademarks and/or copyrights of EBC Brakes or the trademark owner A C Freeman Investments Ltd and use without express written permission of the owners is punishable by law.

JAPANESE Built Motorcycles



SUZUKI Contd.



DISC PAD CHOICES - FRONT

BRAKE DISC CHOICES - FRONT

R Suffix = High Durability Sintered Pad. **HH** Suffix = High Performance Sintered Pad. **TT** Suffix = Hard Wearing Off Road Pad. **V** Suffix = Semi Sintered Pad. **G** Suffix = Grooved Shoe.

D Suffix = Drilled Disc. **X** Suffix = Universal Left or Right Floating Disc. **XC** Suffix = Contoured Floating Disc. **LS** Suffix = Left/Steel Disc. **RS** = Right/Steel Disc.

FRONT / AVANT / VORN / VORN / FRENTE / ANTERIORE

Model	Year	FA, SFA, TT Pad or Brake Shoe	SFAC Carbon Scooter Pads	Speciality Pads - SXR / Vee / MXS	Sintered/HH Pads/ Grooved Shoes	Standard Replacement Discs	Contour Disc Universal Left and Right	Vee-Discs Black † See note below	CX Extreme Disc / UTVX Disc	OSX Oversize 250mm or 280mm	Line #
DR 200 G/H/J	1986-1989	FA054TT		MXS054	FA054R	MD6073D					1
DR 200 SE	2001-2009	FA054TT		MXS054	FA054R	MD6073D					2
DR 200 SE Trojan	1996-2013	FA054TT		MXS054	FA054R	MD6073D					3
DR 200 SH42A Djebel	1993-2000	FA054TT		MXS054	FA054R	MD6073D					4
GT 200 X5	1979-1982	FA038									5
RV 200 K2/K3	2002-2003	FA231			FA231HH★	MD6281D					6
RV 200 Van-Van	2016-2019	FA231			FA231HH★	MD6281D					7
SB 200 N/X	1979-1981	S605									8
SX 200 SH41A	1990-1991	FA054TT		MXS054	FA054R	MD6073D					9
TS 200 R	1989-1994	FA135TT		MXS135	FA135R	MD6109D					10
UH 200 Burgman	2007-2013	SFA388	SFAC388		SFA388HH	MD9117D		VR9117			11
UH 200 Burgman	2014-2016	SFA197	SFAC197		SFA197HH						12
UH 200 Burgman	2014-2023	SFA197	SFAC197		SFA197HH	MD9176D					13
LT 230 G	1985-1986	S625*			S625G*						14
LT-F 230 G/H	1986-1987	S625*			S625G*						15
250 SBK 2 LX 250 L	2002	FA185TT		MXS185	FA185R	MD6240D	MD6240C			OSX6240	16
AN 250 8 Skywave SS	2008	SFA228	SFAC228		SFA228HH	MD994D*		VR994*			17
	2008	SFA197	SFAC197		SFA197HH	MD994D*		VR994*			18
AN 250 Burgman CJ43A	2003-2006	SFA283/4	SFAC283/4		SFA283/4HH	MD994D		VR994			19
AN 250 Burgman/Skywave	1998-2002	SFA283/4	SFAC283/4		SFA283/4HH	MD929D		VR929			20
AN 250 Burgman/Skywave	2001-2002	SFA283/4	SFAC283/4		SFA283/4HH	MD929D		VR929			21
AN 250 Skywave Type M BA-CJ45A	2007-2008	SFA228	SFAC228		SFA228HH	MD994D*		VR994*			22
	2007-2008	SFA197	SFAC197		SFA197HH						23
DL 250 V-Strom	2018-2021	FA226			FA226HH★		MD3112C				24
DR 250 Djebel 250 XC/GPS SJ45A	1996-1998	FA185TT		MXS185	FA185R	MD6017D			MD6017CX	OSX6017	25
DR 250 SJ 44A	1990-1995	FA135TT		MXS135	FA135R	MD6040D			MD6040CX	OSX6040	26
DR 250 SJ45A/DOHC	1995-2000	FA185TT		MXS185	FA185R	MD6017D			MD6017CX	OSX6017	27
DR-Z 250 SJ 44 A	2001-2007	FA185TT		MXS185	FA185R	MD6017D			MD6017CX	OSX6017	28
GN 250 NJ41A	1985-1997	FA051				MD3014LS⊗					29
GS 250 TT/TX	1973-1978	FA051				MD3014LS⊗					30
GSF 250 Bandit GJ74A	1978-1981	FA129			FA129HH	MD3006X	MD3006XC	VR3006BLK†			31
GSF 250 Bandit GJ77A	1980-1981	FA229			FA229HH★	MD3006X	MD3006XC	VR3006BLK†			32
GSX 250	1992-1996	FA051				MD3014LS⊗					33
GSX 250 Across	1995-2000	FA129			FA129HH	MD3006X	MD3006XC	VR3006BLK†			34
GSX 250 GJ72A	1980-1982	FA103*			FA103HH*	MD3074*					35
GSX 250 R CJ GJ72A	2002-2005	FA103*			FA103HH*	MD3074*					36
GSX 250 R P21	2018-2023	FA226			FA226HH★		MD3112C				37
GSX 250 R RK GJ73A	1988	FA158*			FA158HH*★	MD3003X*	MD3003XC*	VR3003BLK*†			38
GSX 250 RL7/RL8	1991	FA226			FA226HH★		MD3112C				39
GSX 250 SSM Katana GJ76A	1990-1998	FA129			FA129HH	MD3006X	MD3006XC	VR3006BLK†			40
GSX 250 ZR 250 C	1987	FA231			FA231HH★	MD4008X	MD4008XC	VR4008BLK			41
GT 250	1989	FA055				MD3014RS⊗					42
GT 250 X7	1989	FA038									43
GW 250 FL5 Inazuma	2015	FA142			FA142HH	MD3105LS					44
GW 250 Inazuma	2013-2015	FA142			FA142HH	MD3105LS					45
GZ 250 Marauder	1999-2001	FA106TT									46
GZ 250 Marauder	2002-2008	FA106TT									47
LT 250	1987-1990	FA128TT*			FA128R*	MD6020D*					48
LT 250 EFF/EFG	1985-1986	S625*			S625G*						49
LT-F 250	1999-2002	S628*			S628G*						50
LT-F 250 Ozark	2002-2014	FA054TT*			FA054R*	MD6207D*					51
LT-F 250 Quadrunner	1988-2001	S628*			S628G*						52
LT-F 4WD	1987-1998	S628*			S628G*						53
LT-F 4WD	1987-1998	S633*			S633G*						54
LT-F 4WD Quadrunner	1987-1998	S633*			S633G*						55
LT-Z 250 QuadSport	2004-2012	FA084TT*		MXS084*	FA084R*	MD6210D*					56
PE 250 B/C/N	1977-1979	S605			S605G						57
PE 250 T/X/Z	1980-1982	S605			S605G						58
RG 250 Gamma GJ21B	1985-1988	FA102*									59
RG 250 WD Gamma	1983	FA063			FA063HH	MD3014LS⊗					60

*-2 Sets Required. † For Vee disc colours add RED, BLU, GRN, GLD, ORG suffix to part number.

⊗ - Also available as a Vintage Motorcycle Disc. ★ - EPFA available. ⊕ Disc made of Billet steel. ◆ CE solid discs for Enduro use.

JAPANESE Built Motorcycles

BRAKE APPLICATIONS

Line #	BRAKE DISC CHOICES - FRONT			DISC PAD CHOICES - REAR				BRAKE DISC CHOICES - REAR					
	SMX Oversize 320mm Disc Kit Front Left	Front disc bolt kit	Front Brake Line	FA, SFA, TT Pad or Brake Shoe	SFAC Carbon Scooter Pads	Speciality Pads - SXR / Vee / MXS	Sintered HH/R Pads/ Grooved Shoes	Standard Replacement Disc	Contour Disc Rear Fitment	Vee Discs CONTOUR	CX Extreme MX Race Disc / UTVX Disc	Rear disc bolt kit	Rear Brake Line
1				S602			S602G						
2				S602			S602G						
3				S602			S602G						
4				S602			S602G						
5				S602									
6				S603									
7				S603									
8				S602									
9				S605			S605G						
10				FA152TT		MXS152	FA152R	MD6038D					
11				SFA413	SFAC413		SFA413HH	MD9117D		VR9117			
12				SFA413	SFAC413		SFA413HH						
13				SFA413	SFAC413		SFA413HH	MD9176D					
14				S605			S605G						
15				S605			S605G						
16	SMX6240			FA131TT		MXS131	FA131R	MD6105D					
17				SFA412	SFAC412		SFA412HH	MD9109D		VR9109			
18				SFA412	SFAC412		SFA412HH	MD9109D		VR9109			
19				SFA411	SFAC411		SFA411HH						
20				SFA323/3			SFA323/3HH	MD930D		VR930			
21				SFA411	SFAC411		SFA411HH	MD930D		VR930			
22				SFA412	SFAC412		SFA412HH	MD9109D		VR9109			
23													
24				FA496		FA496V	FA496HH		MD3113C				
25	SMX6017			FA152TT		MXS152	FA152R	MD6110D			MD6110CX		
26				FA152TT		MXS152	FA152R	MD6038D					
27	SMX6017			FA152/2TT		MXS152/2	FA152/2R	MD6110D			MD6110CX		
28	SMX6017			FA152/2TT		MXS152/2	FA152/2R	MD6110D			MD6110CX		
29				S602									
30				S606			S605G						
31		DB303/5		FA063			FA063HH	MD3002	MD3002C	VR3002			
32		DB303/5		FA063			FA063HH	MD3084					
33				S606			S605G						
34		DB303/5		FA063			FA063HH	MD3002	MD3002C	VR3002			
35			BLM3063-1F	FA063			FA063HH	MD3064					
36				FA063			FA063HH	MD3081					
37				FA496			FA496HH		MD3113C				
38		DB303/5		FA063			FA063HH						
39				FA496			FA496HH		MD3113C				
40		DB303/5		FA063			FA063HH	MD3002	MD3002C	VR3002			
41				FA067			FA067HH	MD4051	MD4051C	VR4015			
42				S609									
43				S606			S606G						
44				FA496			FA496HH	MD3093					
45				FA496			FA496HH	MD3093					
46				S602									
47				S602									
48				FA137TT			FA137R	MD6021D					
49				S634			S634G						
50				S629			S629G						
51				S636			S636G						
52				S629			S629G						
53				S629			S629G						
54				S634			S634G						
55				S634			S634G						
56		DB302/3		S636			S636G						
57				S605			S605G						
58				S605			S605G						
59			BLM3134-3F	FA063				MD3064					
60			BLM3135-3F	FA063			FA063HH	MD3064					

REAR / ARRIÈRE / HINTEN / POSTERIOR / POSTERIORE

*-2 Sets Required. † For Vee disc colours add RED, BLU, GRN, GLD, ORG suffix to part number.

⊙ - Also available as a Vintage Motorcycle Disc. ★ - EPFA available. Ⓢ Disc made of Billet steel. ◆ CE solid discs for Enduro use.

Part numbers, prefixes, suffixes, photos and illustrations shown in this catalogue are trademarks and/or copyrights of EBC Brakes or the trademark owner A C Freeman Investments Ltd and use without express written permission of the owners is punishable by law.

R Suffix = High Durability Sintered Pad. HH Suffix = High Performance Sintered Pad. TT Suffix = Hard Wearing Off Road Pad. V Suffix = Semi Sintered Pad. G Suffix = Grooved Shoe. D Suffix = Drilled Disc. X Suffix = Universal Left or Right Floating Disc. XC Suffix = Contoured Floating Disc. LS Suffix = Left/Steel Disc. RS = Right/Steel Disc.

JAPANESE Built Motorcycles



SUZUKI Contd.



DISC PAD CHOICES - FRONT

BRAKE DISC CHOICES - FRONT

FA, SFA, TT Pad or Brake Shoe	SFAC Carbon Scooter Pads	Speciality Pads - SXR / Vee / MXS	Sintered/HH Pads/ Grooved Shoes	Standard Replacement Discs	Contour Disc Universal Left and Right	Vee-Discs Black † See note below	CX Extreme Disc / UTVX Disc	OSX Oversize 250mm or 280mm
RG 250 WE	1984	FA102			MD3014LS			
RGV 250 J	1988	FA158*		FA158HH*★	MD3003X*	MD3003XC*	VR3003BLK*†	
RGV 250 K/L VJ21A	1989-1990	FA158*		FA158HH*★	MD3003X*	MD3003XC*	VR3003BLK*†	
RGV 250 VJ22A	1991-1995	FA158*		FA158HH*★	MD3045*			
RGVR 250 T SP VJ23A	Left 1996	FA180*		FA180HH*	MD3082LS			
	Right 1996				MD3082RS			
RL 250 Beamish	1978-1982	S603		S603G				
RL 250 L/M	1974-1975	S603		S603G				
RM 250	1999-2005	FA185TT	MXS185	FA185R	MD6017D		MD6017CX	OSX6017
RM 250	2006-2012	FA185TT	MXS185	FA185R	MD6017D		MD6017CX	OSX6017
RM 250 A/B/C	1976-1978	S602		S602G				
RM 250 D	1983	S622						
RM 250 E	1984	S622						
RM 250 F/G	1985-1986	FA106TT		FA106R	MD6163D			
RM 250 H/J	1987-1988	FA135TT	MXS135	FA135R	MD6163D			
RM 250 K/L/M	1989-1991	FA135TT	MXS135	FA135R	MD6017D		MD6017CX	OSX6017E
RM 250 N	1979	S605		S605G				
RM 250 RJ16A	1992-1995	FA135TT	MXS135	FA135R	MD6017D		MD6017CX	OSX6017E
RM 250 T	1980	S618		S618G				
RM 250 T/V/W	1996-1998	FA185TT	MXS185	FA185R	MD6017D		MD6017CX	OSX6017
RM 250 X/Z	1981-1982	S621						
RM 250 XCK8	2009	FA185TT	MXS185	FA185R	MD6017D		MD6017CX	OSX6017
RMX 250 K/M/N/P	1989-1993	FA135TT	MXS135	FA135R	MD6017D		MD6017CX	OSX6017E
RMX 250 R/S	1994-1995	FA135TT	MXS135	FA135R	MD6017D		MD6017CX	OSX6017E
RMX 250 SJ13A	1995-1997	FA135TT	MXS135	FA135R	MD6017D		MD6017CX	OSX6017E
RMX 250 SJ14A	1996-1999	FA185TT	MXS185	FA185R	MD6017D		MD6017CX	OSX6017
RMX 250 T/V/W	1996-1998	FA185TT	MXS185	FA185R	MD6017D		MD6017CX	OSX6017
RM-Z 250	2004-2006	FA185TT	MXS185	FA185R	MD6213D	MD6213C	MD6213CX	OSX6213
RM-Z 250	2007	FA185TT	MXS185	FA185R	MD6254D		MD6254CX	OSX6254
RM-Z 250	2008-2018	FA185TT	MXS185	FA185R			MD6254CX	OSX6254
RM-Z 250	2019-2024	FA185TT	MXS185	FA185R		MD6422C	MD6422CX	OSX6254
T 20 Super Six	1966-1968	S608						
T 250 II/R/J	1970-1972	S608						
TS 250 ER	1974-1982	S605		S605G				
TS 250 X	1985-1989	FA054TT		FA054R	MD6075D			
TU 250	1997-2000	FA106TT						
TU 250 Grass Tracker NJ47A-117/123	2000-2001	FA229		FA229HH★				
TU 250 NJ47A-115- Volty	1999-2000	FA229		FA229HH★				
TU 250 W Volty NJ47A	1992-1997	FA106TT						
TV 250 VJ21A Wolf	1988-1990	FA158		FA158HH★	MD3007X	MD3007XC	VR3007BLK†	
VL 250 Intruder	2000-2001	FA106TT						
VL 250 Intruder	2005-2007	FA106TT						
X5 CZ41A Choinori	2003	S632						
LT-F 300 FK2	Left 2002	FA165TT	MXS165	FA165R	MD6206D*			
	Right 2002	FA135TT	MXS135	FA135R				
LT-F 300 J/K	1988-1989	S625*		S625G*				
LT-F 300 King Quad	1999-2001	S633*		S633G*				
DR 350 S	1990-1993	FA135TT	MXS135	FA135R	MD6040D		MD6040CX	OSX6040
DR 350 SE	1994-1995	FA135TT	MXS135	FA135R	MD6040D		MD6040CX	OSX6040
DR 350 SE	1996-1999	FA135TT	MXS135	FA135R	MD6040D		MD6040CX	OSX6040
DR 350 SE	1998-1999	FA185TT	MXS185	FA185R	MD6017D		MD6017CX	OSX6017
RL 350 Beamish	1978-1982	S603		S603G				
SG 350 N Goose	1992	FA158		FA158HH★	MD3080RS			
T 350 1/2/R/J	1969-1972	S608						
SP 370 C/N	1977-1980	S605		S605G				
GT 380	1973-1977	FA055			MD3014RS			
GT 380 J	1972	S608						
AN 400	1999-2000	SFA283/4	SFAC283/4	SFA283/4HH	MD929D		VR929	
AN 400 Burgman	Left 2023-2024	SFA228	SFAC228	SFA228HH	MD994D*		VR994*	
	Right 2023-2024	SFA197	SFAC197	SFA197HH	MD994D*		VR994*	

FRONT / AVANT / VORN / FRENTE / ANTERIORE

Line #

R Suffix = High Durability Sintered Pad. HH Suffix = High Performance Sintered Pad. TT Suffix = Hard Wearing Off Road Pad. V Suffix = Semi Sintered Pad. G Suffix = Grooved Shoe.
D Suffix = Drilled Disc. X Suffix = Universal Left or Right Floating Disc. XC Suffix = Contoured Floating Disc. LS Suffix = Left/Steel Disc. RS = Right/Steel Disc.

*-2 Sets Required. † For Vee disc colours add RED, BLU, GRN, GLD, ORG suffix to part number.

⊗ - Also available as a Vintage Motorcycle Disc. ★ - EPFA available. ⊕ Disc made of Billet steel. ◆ CE solid discs for Enduro use.

JAPANESE Built Motorcycles

BRAKE APPLICATIONS

Line #	BRAKE DISC CHOICES - FRONT			DISC PAD CHOICES - REAR				BRAKE DISC CHOICES - REAR					
	SMX Oversize 320mm Disc Kit Front Left	Front disc bolt kit	Front Brake Line	FA, SFA, TT Pad or Brake Shoe	SFAC Carbon Scooter Pads	Speciality Pads - SXR / Vee / MXS	Sintered HH/R Pads/ Grooved Shoes	Standard Replacement Disc	Contour Disc Rear Fitment	Vee Discs CONTOUR	CX Extreme MX Race Disc / UTVX Disc	Rear disc bolt kit	Rear Brake Line
1			BLM3136-5F	FA063				MD3064					
2		DB303/5		FA063			FA063HH	MD3081					
3		DB303/5	BLM3138-3F	FA063			FA063HH	MD3081					
4		DB303/5	BLM3139-3F	FA141				MD3059					
5		DB303/5		FA141				MD3059					BLM3140-1R
6													
7				S602			S602G						
8				S602			S602G						
9	SMX6017			FA131TT		MXS131	FA131R	MD6157D			MD6157CX		
10	SMX6017			FA131TT		MXS131	FA131R	MD6305D	MD6305C		MD6305CX		
11				S605			S605G						
12				S616			S616G						
13				S602			S602G						
14				S602			S602G						
15						MXS084/3	FA084/3R	MD6014D					
16				FA152TT		MXS152	FA152R	MD6014D			MD6014CX		
17				S620									
18				FA152/2TT		MXS152/2	FA152/2R	MD6014D			MD6014CX		
19				S620									
20	SMX6017			FA131TT		MXS131	FA131R	MD6014D			MD6014CX		
21				S616			S616G						
22	SMX6017			FA131TT		MXS131	FA131R	MD6305D	MD6305C		MD6305CX		
23				FA152TT		MXS152	FA152R	MD6014D			MD6014CX		
24				FA152/2TT		MXS152/2	FA152/2R	MD6014D			MD6014CX		
25				FA152/2TT		MXS152/2	FA152/2R	MD6014D			MD6014CX		
26	SMX6017			FA131TT		MXS131	FA131R	MD6014D			MD6014CX		
27	SMX6017			FA152TT		MXS152	FA152R	MD6014D			MD6014CX		
28	SMX6213	DB403/4		FA367TT		MXS367	FA367R	MD6208D	MD6208C		MD6208CX♦		
29	SMX6254			FA367TT		MXS367	FA367R	MD6255D			MD6255CX♦		
30	SMX6254			FA367TT		MXS367	FA367R				MD6255CX♦		
31	SMX6254			FA367TT		MXS367	FA367R				MD6255CX♦		
32				S609									
33				S609									
34				S605			S605G						
35				S627									
36				S602									
37				S602									
38				S602									
39				S602									
40				FA063			FA063HH	MD3081					
41				S602									
42				S602									
43				S632									
44				S634			S634G						
45													
46				S634			S634G						
47				S634			S634G						
48			BLM3006-1F	FA152TT		MXS152	FA152R	MD6038D			MD6038CX		
49				FA152TT		MXS152	FA152R	MD6038D			MD6038CX		
50			BLM3005-1F	FA152TT		MXS152	FA152R	MD6110D			MD6110CX		
51	SMX6017			FA152TT		MXS152	FA152R	MD6110D			MD6110CX		
52													
53				FA063			FA063HH	MD3081					
54				S609									
55				S605			S605G						
56				S609									
57				S609									
58				SFA323/3			SFA323/3HH	MD930D		VR930			
59				SFA412	SFAC412		SFA412HH	MD9109D		VR9109			
60				SFA412	SFAC412		SFA412HH	MD9109D		VR9109			

REAR / ARRIÈRE / HINTEN / POSTERIOR / POSTERIORE

*-2 Sets Required. † For Vee disc colours add RED, BLU, GRN, GLD, ORG suffix to part number.

⊙ - Also available as a Vintage Motorcycle Disc. ★ - EPFA available. Ⓢ Disc made of Billet steel. ♦ CE solid discs for Enduro use.

Part numbers, prefixes, suffixes, photos and illustrations shown in this catalogue are trademarks and/or copyrights of EBC Brakes or the trademark owner A C Freeman Investments Ltd and use without express written permission of the owners is punishable by law.

R Suffix = High Durability Sintered Pad. HH Suffix = High Performance Sintered Pad. TT Suffix = Hard Wearing Off Road Pad. V Suffix = Semi Sintered Pad. G Suffix = Grooved Shoe. D Suffix = Drilled Disc. X Suffix = Universal Left or Right Floating Disc. XC Suffix = Contoured Floating Disc. LS Suffix = Left/Steel Disc. RS = Right/Steel Disc.

JAPANESE Built Motorcycles



SUZUKI Contd.



DISC PAD CHOICES - FRONT

BRAKE DISC CHOICES - FRONT

R Suffix = High Durability Sintered Pad. **HH** Suffix = High Performance Sintered Pad. **TT** Suffix = Hard Wearing Off Road Pad. **V** Suffix = Semi Sintered Pad. **G** Suffix = Grooved Shoe.
D Suffix = Drilled Disc. **X** Suffix = Universal Left or Right Floating Disc. **XC** Suffix = Contoured Floating Disc. **LS** Suffix = Left/Steel Disc. **RS** = Right/Steel Disc.

FRONT / AVANT / VORN / FRENTE / ANTERIORE

Model	Year	FA, SFA, TT Pad or Brake Shoe	SFAC Carbon Scooter Pads	Speciality Pads - SXR / Vee / MXS	Sintered/ HH Pads/ Grooved Shoes	Standard Replacement Discs	Contour Disc Universal Left and Right	Vee-Discs Black † See note below	CX Extreme Disc / UTVX Disc	OSX Oversize 250mm or 280mm	Line #
AN 400 Burgman K1	2001-2002	SFA283/4	SFAC283/4		SFA283/4HH	MD929D		VR929			1
AN 400 Burgman K3	2003-2006	SFA283/4	SFAC283/4		SFA283/4HH	MD994D		VR994			2
AN 400 Burgman Y	2000	SFA283/4	SFAC283/4		SFA283/4HH	MD929D		VR929			3
AN 400 Burgman/Skywave	Left 2007-2022	SFA228	SFAC228		SFA228HH	MD994D*		VR994*			4
	Right 2007-2022	SFA197	SFAC197		SFA197HH						5
DR 400 ST/SX	1979-1981	S605			S605G						6
DR-Z 400 E	2000-2007	FA185TT		MXS185	FA185R	MD6017D			MD6017CX	OSX6017	7
DR-Z 400 S	2011-2023	FA185TT		MXS185	FA185R	MD6017D			MD6017CX	OSX6017	8
DR-Z 400 SM	2005-2023	FA185TT		MXS185	FA185R	MD6247D	MD6247C				9
GN 400 TT	1980	FA051				MD3014LS					10
GS 400 B/C	1977-1978	FA035				MD3014LS					11
GS 400 LX	1981	FA051				MD3014LS					12
GS 400 TX	1981	FA051				MD3014LS					13
GSF 400 Bandit GK75A	1989-1994	FA158*			FA158HH*★	MD3003X*	MD3003XC*	VR3003BLK*†			14
GSF 400 Bandit GK7AA	1995-1997	FA158*			FA158HH*★	MD3003X*	MD3003XC*	VR3003BLK*†			15
GSF 400 M/N/P Bandit	1991-1995	FA129			FA129HH	MD3006X	MD3006XC	VR3006BLK†			16
GSR 400 K6	2006	FA158*			FA158HH*★	MD3092X*	MD3092XC*	VR3092BLK*†			17
GSX 400 ET/EX/EZ	1981-1983	FA051				MD3014LS					18
GSX 400 FSV/FSK1 GK7B Inazuma	2000	FA244*			FA244HH*★	MD3003X*	MD3003XC*	VR3003BLK*†			19
GSX 400 FX/FZ/FD	Left 1981-1983	FA067*			FA067HH*	MD3066LS					20
	Right 1981-1983					MD3066RS					21
GSX 400 GK74A	1988-1990	FA146*			FA146HH*	MD3003X*	MD3003XC*	VR3003BLK*†			22
GSX 400 GK77A Katana	1992	FA158*			FA158HH*★	MD3003X*	MD3003XC*	VR3003BLK*†			23
GSX 400 GK79A Impulse Type S	1994-1996	FA142*			FA142HH*	MD3003X*	MD3003XC*	VR3003BLK*†			24
GSX 400 X GK79A Impulse	1999	FA244*			FA244HH*★	MD3003X*	MD3003XC*	VR3003BLK*†			25
GSXR 400 GK73A	1988-1990	FA158*			FA158HH*★	MD3003X*	MD3003XC*	VR3003BLK*†			26
GSXR 400 GK76A	1990-1995	FA145*			FA145HH*★	MD3045*					27
GSXR 400 H	1987	FA103*			FA103HH*	MD3001*					28
LT-A 400 Eiger	2002-2007	FA054TT*			FA054R*	MD6195D*					29
LT-A 400 Eiger	2002-2004	FA054TT*			FA054R*	MD6195D*					30
LT-A 400 King Quad	Left 2008-2023	FA413TT			FA413R	MD6195D*					31
	Right 2008-2023	FA414TT			FA414R						32
LT-F 400 Eiger	2002-2007	FA054TT*			FA054R*	MD6195D*					33
LT-F 400 Eiger	2002-2007	FA054TT*			FA054R*	MD6195D*					34
LT-F 400 King Quad	Left 2008-2018	FA413TT			FA413R	MD6195D*					35
	Right 2008-2018	FA414TT			FA414R						36
LT-Z 400 Eiger	2003-2015	FA084TT*			FA084R*	MD6210D*					37
PE 400 T/X	1979-1981	S605			S605G						38
RF 400 GK78A	1993-1997	FA142*			FA142HH*	MD3003X*	MD3003XC*	VR3003BLK*†			39
RG 400 Walter Wolf Type 1 & 2	Left 1985-1987	FA103*			FA103HH*	MD3070LS					40
	Right 1985-1987					MD3070RS					41
RM 400 C	1978	S602			S602G						42
RM 400 N	1979	S605			S605G						43
RM 400 T	1980	S618			S618G						44
SP 400 T	1980	S605			S605G						45
ST 400 Tempter	1997-2003										46
SV 400	1999-2002	FA229			FA229HH★	MD3003X*	MD3003XC*	VR3003BLK*†			47
SV 400	1999-2002	FA231			FA231HH★	MD3003X*	MD3003XC*	VR3003BLK*†			48
SV 400	1999-2002	FA231			FA231HH★	MD3003X*	MD3003XC*	VR3003BLK*†			49
SV 400	1999-2002	FA229			FA229HH★	MD3003X*	MD3003XC*	VR3003BLK*†			50
SV 400	2003-2005	FA229			FA229HH★	MD3090X*	MD3090XC*	VR3090BLK*†			51
SV 400	2003-2005	FA231			FA231HH★	MD3090X*	MD3090XC*	VR3090BLK*†			52
SV 400	2003-2005	FA231			FA231HH★	MD3090X*	MD3090XC*	VR3090BLK*†			53
SV 400	2003-2005	FA229			FA229HH★	MD3090X*	MD3090XC*	VR3090BLK*†			54
SV 400 N VK53A	1998	FA231			FA231HH★	MD3006X	MD3006XC	VR3006BLK†			55
SV 400 SN VK53A	1998					MD3006X	MD3006XC	VR3006BLK†			56
VS 400 Intruder	1994	FA103			FA103HH	MD3032RS					57
GS 425 EN	1979	FA035				MD3014LS					58
GS 450	1980-1988	FA051				MD3014LS					59
LT-A 450	Left 2007-2010	FA413TT			FA413R	MD6261D*					60

*-2 Sets Required. † For Vee disc colours add RED, BLU, GRN, GLD, ORG suffix to part number.

⊗ - Also available as a Vintage Motorcycle Disc. ★ - EPFA available. ⊕ Disc made of Billet steel. ◆ CE solid discs for Enduro use.

JAPANESE Built Motorcycles

BRAKE APPLICATIONS

Line #	BRAKE DISC CHOICES - FRONT			DISC PAD CHOICES - REAR				BRAKE DISC CHOICES - REAR					
	SMX Oversize 320mm Disc Kit Front Left	Front disc bolt kit	Front Brake Line	FA, SFA, TT Pad or Brake Shoe	SFAC Carbon Scooter Pads	Speciality Pads - SXR / Vee / MXS	Sintered HH/R Pads/ Grooved Shoes	Standard Replacement Disc	Contour Disc Rear Fitment	Vee Discs CONTOUR	CX Extreme MX Race Disc / UTVX Disc	Rear disc bolt kit	Rear Brake Line
1				SFA411	SFAC411		SFA411HH	MD930D		VR930			
2				SFA411	SFAC411		SFA411HH						
3				SFA323/3			SFA323/3HH	MD930D		VR930			
4				SFA412	SFAC412		SFA412HH	MD9109D		VR9109			
5													
6				S605			S605G						
7	SMX6017			FA131TT		MXS131	FA131R	MD6014D			MD6014CX		
8	SMX6017			FA131TT		MXS131	FA131R	MD6014D			MD6014CX		
9				FA131TT		MXS131	FA131R	MD6157D					
10				S606			S605G						
11			BLM3022-2F	S609									
12				S606			S605G						
13				S609									
14		DB303/5		FA063			FA063HH	MD3002	MD3002C	VR3002			
15		DB303/5		FA063			FA063HH	MD3084					
16		DB303/5		FA063			FA063HH	MD3002	MD3002C	VR3002			
17		DB302/5		FA419			FA419HH	MD3093	MD3093C	VR3002			
18				S606			S605G						
19		DB303/5		FA063			FA063HH	MD3008	MD3008C	VR3008			
20				FA036				MD3025					BLM3066-1R
21													
22		DB303/5		FA063			FA063HH	MD3002	MD3002C	VR3002			
23		DB303/5		FA063			FA063HH	MD3002	MD3002C	VR3002			
24		DB303/5		FA063			FA063HH	MD3002	MD3002C	VR3002			
25		DB303/5		FA063			FA063HH	MD3002	MD3002C	VR3002			
26		DB303/5		FA063			FA063HH	MD3081					
27		DB303/5	BLM3096-3F	FA063			FA063HH	MD3081					
28		DB303/5		FA063			FA063HH	MD3064					
29				S606			S606G						
30				S606			S606G						
31				S626									
32													
33				S606			S606G						
34				S606			S606G						
35				S626									
36													
37		DB302/3		FA137TT			FA137R	MD6211D					
38				S605			S605G						
39		DB303/5		FA063			FA063HH	MD3008	MD3008C	VR3008			
40				FA063			FA063HH						
41								MD3064					
42				S605			S605G						
43				S620									
44				S620									
45				S605			S605G						
46				S606									
47		DB303/5		FA063			FA063HH	MD3008	MD3008C	VR3008			
48		DB303/5		FA063			FA063HH	MD3008	MD3008C	VR3008			
49		DB303/5		FA063			FA063HH	MD3008	MD3008C	VR3008			
50		DB303/5		FA063			FA063HH	MD3008	MD3008C	VR3008			
51		DB303/5		FA174			FA174HH	MD3060	MD3060C	VR3060			
52		DB303/5		FA174			FA174HH	MD3060	MD3060C	VR3060			
53		DB303/5		FA174			FA174HH	MD3060	MD3060C	VR3060			
54		DB303/5		FA174			FA174HH	MD3060	MD3060C	VR3060			
55				FA063			FA063HH	MD3008	MD3008C	VR3008			
56				FA063			FA063HH	MD3008	MD3008C	VR3008			
57				S626									
58				S606			S605G						
59				S606			S605G						
60		DB302/3										DB302/3	

REAR / ARRIÈRE / HINTEN / POSTERIOR / POSTERIORE

*-2 Sets Required. † For Vee disc colours add RED, BLU, GRN, GLD, ORG suffix to part number.

⊗ - Also available as a Vintage Motorcycle Disc. ★ - EPFA available. ⚙ - Disc made of Billet steel. ♦ - CE solid discs for Enduro use.

Part numbers, prefixes, suffixes, photos and illustrations shown in this catalogue are trademarks and/or copyrights of EBC Brakes or the trademark owner A C Freeman Investments Ltd and use without express written permission of the owners is punishable by law.

R Suffix = High Durability Sintered Pad. **HH** Suffix = High Performance Sintered Pad. **TT** Suffix = Hard Wearing Off Road Pad. **V** Suffix = Semi Sintered Pad. **G** Suffix = Grooved Shoe. **D** Suffix = Drilled Disc. **X** Suffix = Universal Left or Right Floating Disc. **XC** Suffix = Contoured Floating Disc. **LS** Suffix = Left/Steel Disc. **RS** = Right/Steel Disc.

JAPANESE Built Motorcycles



SUZUKI Contd.



DISC PAD CHOICES - FRONT

BRAKE DISC CHOICES - FRONT

			FA, SFA, TT Pad or Brake Shoe	SFAC Carbon Scooter Pads	Speciality Pads - SXR / Vee / MXS	Sintered/HH Pads/ Grooved Shoes	Standard Replacement Discs	Contour Disc Universal Left and Right	Vee-Discs Black † See note below	CX Extreme Disc / UTVX Disc	OSX Oversize 250mm or 280mm	Line #
	Right	2007-2010	FA414TT			FA414R						1
LT-R 450	Left	2006-2012	FA165TT		MXS165	FA165R	MD6277D*					2
	Right	2006-2012	FA135TT		MXS135	FA135R						3
RM-X 450 ZL0/ZL2		2010-2015	FA185TT		MXS185	FA185R				MD6254CX	OSX6254	4
RM-Z 450		2008-2017	FA185TT		MXS185	FA185R	MD6254D			MD6254CX	OSX6254	5
RM-Z 450		2018-2024	FA185TT		MXS185	FA185R		MD6422C		MD6422CX		6
RM-Z 450 K		2005-2007	FA185TT		MXS185	FA185R	MD6254D			MD6254CX	OSX6254	7
RM 465 X/Z		1981-1982	S621									8
DR 500		1981-1983	S602			S602G						9
DR 500		1984-1988	S605			S605G						10
GS 500		1996-2003	FA231			FA231HH★	MD3006X	MD3006XC	VR3006BLK†			11
GS 500		2004-2008	FA231			FA231HH★	MD3006X	MD3006XC	VR3006BLK†			12
GS 500 GM51A		1989-1995	FA129			FA129HH	MD3006X	MD3006XC	VR3006BLK†			13
GT 500 A/B		1976-1977	FA055				MD3019RS⊗					14
LT 500 RL		1990	FA128TT*			FA128R*	MD6022D*					15
LT-A 500 FK2 Vinson		2002	FA054TT*			FA054R*	MD6195D*					16
LT-A 500 FY/FK1	Left	2000-2001	FA165TT		MXS165	FA165R	MD6145D*					17
	Right	2000-2001	FA135TT		MXS135	FA135R						18
LT-A 500 Vinson Quadrunner		2003-2007	FA054TT*			FA054R*	MD6195D*					19
LT-A 500 X	Left	2009-2023	FA413TT			FA413R	MD6355D*					20
	Right	2009-2023	FA414TT			FA414R						21
LT-F 500 X	Left	1998-2002	FA165TT		MXS165	FA165R	MD6145D*					22
	Right	1998-2002	FA135TT		MXS135	FA135R						23
RE 5 M/A	Left	1975-1977	FA055*				MD3019LS⊗					24
	Right	1975-1977					MD3019RS⊗					25
RG 500 G/CH	Left	1985-1987	FA103*			FA103HH*	MD3070LS					26
	Right	1985-1987					MD3070RS					27
RM 500 D/E		1983-1984	S622									28
T 500		1968-1975	S612									29
GS 550	Left	1977-1978	FA038*				MD3014LS⊗					30
	Right	1977-1978					MD3014RS⊗					31
GS 550	Left	1978-1979	FA038*				MD3014LS⊗					32
	Right	1978-1979					MD3014RS⊗					33
GS 550 ET	Left	1980-1984	FA065*				MD3014LS⊗					34
	Right	1980-1984					MD3014RS⊗					35
GXS 550 GN71D	Left	1984-1987	FA063*			FA063HH*	MD3024LS					36
	Right	1984-1987					MD3024RS					37
GT 550 A/B		1976-1977	FA055				MD3019RS⊗					38
GT 550 J		1972										39
GT 550 K/L/M		1973-1975	FA055				MD3019RS⊗					40
DR 600 SN41A		1985-1989	FA106/2TT				MD6075D					41
DR 600 SN41A		1986-1988	FA106/2TT				MD6075D					42
DR 600 SN41A		1989	FA106/2TT				MD6075D					43
GSF 600 Bandit		1995-1999	FA142*			FA142HH*	MD3003X*	MD3003XC*	VR3003BLK*†			44
GSF 600 Bandit		2000-2004	FA229			FA229HH★	MD3003X*	MD3003XC*	VR3003BLK*†			45
GSF 600 Bandit		2000-2004	FA231			FA231HH★	MD3003X*	MD3003XC*	VR3003BLK*†			46
GSF 600 Faired Bandit		1996-1999	FA142*			FA142HH*	MD3003X*	MD3003XC*	VR3003BLK*†			47
GSF 600 Faired Bandit		2000-2004	FA229			FA229HH★	MD3003X*	MD3003XC*	VR3003BLK*†			48
GSF 600 Faired Bandit		2000-2004	FA231			FA231HH★	MD3003X*	MD3003XC*	VR3003BLK*†			49
GSR 600		2006-2008	FA158*			FA158HH*★	MD3092X*	MD3092XC*	VR3092BLK*†			50
GXS 600		1998-2002	FA229			FA229HH★	MD3003X*	MD3003XC*	VR3003BLK*†			51
GXS 600		1998-2002	FA231			FA231HH★	MD3003X*	MD3003XC*	VR3003BLK*†			52
GXS 600		2003-2004	FA231			FA231HH★	MD3090X*	MD3090XC*	VR3090BLK*†			53
GXS 600		2003-2004	FA229			FA229HH★	MD3090X*	MD3090XC*	VR3090BLK*†			54
GXS 600 FJ GN72A		1988	FA146*			FA146HH*	MD3001*					55
GXS 600 GN72A		1989-1997	FA146*			FA146HH*	MD3003X*	MD3003XC*	VR3003BLK*†			56
GSXR 600		2011-2023				FA447HH*★	MD3100X*	MD3100XC*	VR3100BLK*†			57
GSXR 600 K1		2001-2003	FA158*			FA158HH*★	MD3058X*	MD3058XC*	VR3058BLK*†			58
GSXR 600 K4		2004-2005				FA379HH*★	MD3104X*	MD3104XC*	VR3104BLK*†			59
GSXR 600 K6/K7		2006-2007				FA379HH*★	MD3091X*	MD3091XC*	VR3091BLK*†			60

FRONT / AVANT / VORN / FRENTE / ANTERIORE

R Suffix = High Durability Sintered Pad. HH Suffix = High Performance Sintered Pad. TT Suffix = Hard Wearing Off Road Pad. V Suffix = Semi Sintered Pad. G Suffix = Grooved Shoe.

D Suffix = Drilled Disc. X Suffix = Universal Left or Right Floating Disc. XC Suffix = Contoured Floating Disc. LS Suffix = Left/Steel Disc. RS = Right/Steel Disc.

*-2 Sets Required. † For Vee disc colours add RED, BLU, GRN, GLD, ORG suffix to part number.

⊗ - Also available as a Vintage Motorcycle Disc. ★ - EPFA available. ⊕ Disc made of Billet steel. ◆ CE solid discs for Enduro use.

JAPANESE Built Motorcycles

BRAKE APPLICATIONS

Line #	BRAKE DISC CHOICES - FRONT			DISC PAD CHOICES - REAR				BRAKE DISC CHOICES - REAR					
	SMX Oversize 320mm Disc Kit Front Left	Front disc bolt kit	Front Brake Line	FA, SFA, TT Pad or Brake Shoe	SFAC Carbon Scooter Pads	Speciality Pads - SXR / Vee / MXS	Sintered HH/R Pads/ Grooved Shoes	Standard Replacement Disc	Contour Disc Rear Fitment	Vee Discs CONTOUR	CX Extreme MX Race Disc / UTVX Disc	Rear disc bolt kit	Rear Brake Line
1													
2		DB302/3		FA137TT			FA137R					DB302/3	
3								MD6278D					
4	SMX6254			FA367TT		MXS367	FA367R				MD6255CX♦		
5	SMX6254			FA367TT		MXS367	FA367R				MD6255CX♦		
6				FA367TT		MXS367	FA367R				MD6255CX♦		
7	SMX6254			FA367TT		MXS367	FA367R				MD6255CX♦		
8				S602			S602G						
9				S605			S605G						
10				S605			S605G						
11			BLM3025-1F	FA063			FA063HH	MD3002	MD3002C	VR3002			
12			BLM3025-1F	FA063			FA063HH	MD3002	MD3002C	VR3002			
13			BLM3024-1F	FA063			FA063HH	MD3002	MD3002C	VR3002			
14				S609									
15				FA137TT			FA137R	MD6023D					
16				FA317TT			FA317R	MD6196D					
17				S634			S634G						
18													
19				FA372TT			FA372R	MD6196D					
20													
21													
22				S634			S634G						
23													
24													
25				S634									
26				FA063			FA063HH						BLM3137-1R
27								MD3064					
28				S602			S602G						
29				S609									
30													
31				S611									
32													
33				FA036				MD3014RS⊙					
34													BLM3028-1R
35				FA036				MD3014RS⊙					
36				FA063			FA063HH	MD3025					BLM3070-1R
37													
38			BLM3127-1F	S611									
39				S609									
40				S609									
41			BLM3007-1F	S602			S602G						
42				S602			S602G						
43				FA157			FA157R	MD6077D					
44		DB303/5	BLM3042-3F	FA063				MD3008	MD3008C	VR3008		DB303/5	
45		DB303/5	BLM3044-3F	FA063				MD3008	MD3008C	VR3008		DB303/5	
46		DB303/5	BLM3044-3F	FA063				MD3008	MD3008C	VR3008		DB303/5	
47		DB303/5		FA063				MD3008	MD3008C	VR3008		DB303/5	
48		DB303/5		FA063				MD3008	MD3008C	VR3008		DB303/5	
49		DB303/5		FA063				MD3008	MD3008C	VR3008		DB303/5	
50		DB302/5	BLM3049-2F	FA419				MD3093	MD3093C	VR3093		DB303/5	
51		DB303/5		FA063			FA063HH	MD3008	MD3008C	VR3008		DB303/5	
52		DB303/5		FA063			FA063HH	MD3008	MD3008C	VR3008		DB303/5	
53		DB303/5		FA063			FA063HH	MD3008	MD3008C	VR3008		DB303/5	
54		DB303/5		FA063			FA063HH	MD3008	MD3008C	VR3008		DB303/5	
55		DB303/5		FA063			FA063HH	MD3002	MD3002C	VR3002		DB303/5	
56		DB303/5		FA063			FA063HH	MD3002	MD3002C	VR3002		DB303/5	
57		DB303/5		FA436			FA436HH	MD3060	MD3060C	VR3060		DB303/5	
58		DB303/5	BLM3100-2F	FA063			FA063HH	MD3060	MD3060C	VR3060		DB303/5	
59		DB303/5		FA254				MD3060	MD3060C	VR3060		DB303/5	
60		DB303/5		FA419				MD3060	MD3060C	VR3060		DB303/5	

REAR / ARRIÈRE / HINTEN / POSTERIOR / POSTERIORE

*-2 Sets Required. † For Vee disc colours add RED, BLU, GRN, GLD, ORG suffix to part number.

⊙ - Also available as a Vintage Motorcycle Disc. ★ - EPFA available. ⊕ Disc made of Billet steel. ♦ CE solid discs for Enduro use.

Part numbers, prefixes, suffixes, photos and illustrations shown in this catalogue are trademarks and/or copyrights of EBC Brakes or the trademark owner A C Freeman Investments Ltd and use without express written permission of the owners is punishable by law.

R Suffix = High Durability Sintered Pad. HH Suffix = High Performance Sintered Pad. TT Suffix = Hard Wearing Off Road Pad. V Suffix = Semi Sintered Pad. G Suffix = Grooved Shoe. D Suffix = Drilled Disc. X Suffix = Universal Left or Right Floating Disc. XC Suffix = Contoured Floating Disc. LS Suffix = Left/Steel Disc. RS = Right/Steel Disc.

JAPANESE Built Motorcycles



SUZUKI Contd.



DISC PAD CHOICES - FRONT

BRAKE DISC CHOICES - FRONT

Model	Year	Side	DISC PAD CHOICES - FRONT				BRAKE DISC CHOICES - FRONT				Line #	
			FA, SFA, TT Pad or Brake Shoe	SFAC Carbon Scooter Pads	Speciality Pads - SXR / Vee / MXS	Sintered/ HH Pads/ Grooved Shoes	Standard Replacement Discs	Contour Disc Universal Left and Right	Vee-Discs Black † See note below	CX Extreme Disc / UTVX Disc		OSX Oversize 250mm or 280mm
GSXR 600 K8	2008-2010					FA379HH*★	MD3100X*	MD3100XC*	VR3100BLK*†			1
GSXR 600 SRAD	1997-2000		FA158*			FA158HH*★	MD3058X*	MD3058XC*	VR3058BLK*†			2
RF 600 GN76A	1993-1997		FA142*		FA142V*	FA142HH*	MD3003X*	MD3003XC*	VR3003BLK*†			3
VS 600	1995-1997		FA103		FA103V	FA103HH	MD3032RS					4
QUV 620 FK5 Side x Side	2005		K719*									5
AN 650 Burgman	2013-2016		SFA142*	SFAC142*		SFA142HH*	MD9144D*		VR9144BLK*			6
AN 650 Burgman Executive	2013-2018		SFA142*	SFAC142*		SFA142HH*	MD9144D*		VR9144BLK*			7
AN 650 Burgman/Skywave	2004-2011		SFA142*	SFAC142*		SFA142HH*	MD994D*		VR994*			8
AN 650 Burgman/Skywave	2004-2012		SFA142*	SFAC142*		SFA142HH*	MD994D*		VR994*			9
AN 650 K3 Burgman	2003		SFA142*	SFAC142*		SFA142HH*	MD987D*		VR987*			10
DL 650 V-Strom	2004-2006	Left	FA229		FA229V	FA229HH★	MD3088X*	MD3088XC*	VR3088BLK*†			11
	2004-2006	Right	FA231		FA231V	FA231HH★						12
DL 650 V-Strom	2007-2011	Left	FA229		FA229V	FA229HH★	MD3092X*	MD3092XC*	VR3092BLK*†			13
	2007-2011	Right	FA231		FA231V	FA231HH★						14
DL 650 V-Strom	2012-2023	Left	FA229		FA229V	FA229HH★	MD3092X*	MD3092XC*	VR3092BLK*†			15
	2012-2023	Right	FA231		FA231V	FA231HH★						16
DL 650 V-Strom Traveller	2007-2011	Left	FA229		FA229V	FA229HH★	MD3092X*	MD3092XC*	VR3092BLK*†			17
	2007-2011	Right	FA231		FA231V	FA231HH★						18
DL 650 V-Strom X	2007-2011	Left	FA229		FA229V	FA229HH★	MD3092X*	MD3092XC*	VR3092BLK*†			19
	2007-2011	Right	FA231		FA231V	FA231HH★						20
DL 650 V-Strom Xpedition	2011	Left	FA229		FA229V	FA229HH★	MD3092X*	MD3092XC*	VR3092BLK*†			21
	2011	Right	FA231		FA231V	FA231HH★						22
DL 650 XT V-Strom	2015-2024	Left	FA229		FA229V	FA229HH★	MD3092X*	MD3092XC*	VR3092BLK*†			23
	2015-2024	Right	FA231		FA231V	FA231HH★						24
DL 650 XT V-Strom Touring	2018-2022	Left	FA229		FA229V	FA229HH★	MD3092X*	MD3092XC*	VR3092BLK*†			25
	2018-2022	Right	FA231		FA231V	FA231HH★						26
DR 650	1990-1991		FA147			FA147R	MD6076D					27
DR 650	1991-1993		FA147			FA147R	MD6078D					28
DR 650	1994-1995		FA147			FA147R	MD6078D					29
DR 650 S-SE	1996-2023		FA185TT		MXS185	FA185R	MD6094D			MD6094CX		30
GR 650 Tempter	1983		FA065				MD3014LS⊙					31
GS 650	1981-1983	Left	FA065*				MD3014LS⊙					32
	1981-1983	Right					MD3014RS⊙					33
GSF 650 Bandit	2005-2006		FA231		FA231V	FA231HH★	MD3101X*	MD3101XC*				34
GSF 650 Bandit	2005-2006		FA229		FA229V	FA229HH★	MD3101X*	MD3101XC*				35
GSF 650 Bandit	2007-2011		FA158*			FA158HH*★	MD3092X*	MD3092XC*	VR3092BLK*†			36
GSF 650 Bandit	2007-2011		FA158*			FA158HH*★	MD3092X*	MD3092XC*	VR3092BLK*†			37
GSF 650 Faired Bandit	2005-2006		FA229		FA229V	FA229HH★	MD3090X*	MD3090XC*	VR3090BLK*†			38
GSF 650 Faired Bandit	2005-2006		FA231		FA231V	FA231HH★	MD3090X*	MD3090XC*	VR3090BLK*†			39
GSF 650 Faired Bandit	2005-2006		FA231		FA231V	FA231HH★	MD3101X*	MD3101XC*				40
GSF 650 Faired Bandit	2005-2006		FA229		FA229V	FA229HH★	MD3101X*	MD3101XC*				41
GSF 650 Faired Bandit	2007-2011		FA158*			FA158HH*★	MD3092X*	MD3092XC*	VR3092BLK*†			42
GSF 650 Faired Bandit	2007-2015		FA158*			FA158HH*★	MD3092X*	MD3092XC*	VR3092BLK*†			43
GSF 650 K5/K6 Bandit	2005-2006		FA229		FA229V	FA229HH★	MD3090X*	MD3090XC*	VR3090BLK*†			44
GSF 650 K5/K6 Bandit	2005-2006		FA231		FA231V	FA231HH★	MD3090X*	MD3090XC*	VR3090BLK*†			45
GSX 650	2008-2011		FA158*			FA158HH*★	MD3092X*	MD3092XC*	VR3092BLK*†			46
GSX 650	2008-2015		FA158*			FA158HH*★	MD3092X*	MD3092XC*	VR3092BLK*†			47
LS 650 Savage	1987-1999		FA106TT		FA106V		MD3017LS					48
SFV 650 Gladius	2009-2015	Left	FA229		FA229V	FA229HH★	MD3103X*	MD3103XC*				49
	2009-2015	Right	FA231		FA231V	FA231HH★						50
SFV 650 Gladius	2009-2015	Left	FA229		FA229V	FA229HH★	MD3103X*	MD3103XC*				51
	2009-2015	Right	FA231		FA231V	FA231HH★						52
SV 650	1999-2002		FA229		FA229V	FA229HH★	MD3003X*	MD3003XC*	VR3003BLK*†			53
SV 650	1999-2002		FA231		FA231V	FA231HH★	MD3003X*	MD3003XC*	VR3003BLK*†			54
SV 650	2003-2010		FA229		FA229V	FA229HH★	MD3090X*	MD3090XC*	VR3090BLK*†			55
SV 650	2003-2010		FA231		FA231V	FA231HH★	MD3090X*	MD3090XC*	VR3090BLK*†			56
SV 650	2007-2010	Left	FA229		FA229V	FA229HH★	MD3103X*	MD3103XC*				57
	2007-2010	Right	FA231		FA231V	FA231HH★						58
SV 650	2016-2018	Left	FA229		FA229V	FA229HH★	MD3103X*	MD3103XC*				59
	2016-2018	Right	FA231		FA231V	FA231HH★						60

FRONT / AVANT / VORN / FRENTE / ANTERIORE

R Suffix = High Durability Sintered Pad. HH Suffix = High Performance Sintered Pad. TT Suffix = Hard Wearing Off Road Pad. V Suffix = Semi Sintered Pad. G Suffix = Grooved Shoe.
 D Suffix = Drilled Disc. X Suffix = Universal Left or Right Floating Disc. XC Suffix = Contoured Floating Disc. LS Suffix = Left/Steel Disc. RS = Right/Steel Disc.

*-2 Sets Required. † For Vee disc colours add RED, BLU, GRN, GLD, ORG suffix to part number.

⊙ - Also available as a Vintage Motorcycle Disc. ★ - EPFA available. ⊕ Disc made of Billet steel. ◆ CE solid discs for Enduro use.

JAPANESE Built Motorcycles

BRAKE APPLICATIONS

Line #	BRAKE DISC CHOICES - FRONT			DISC PAD CHOICES - REAR				BRAKE DISC CHOICES - REAR					
	SMX Oversize 320mm Disc Kit Front Left	Front disc bolt kit	Front Brake Line	FA, SFA, TT Pad or Brake Shoe	SFAC Carbon Scooter Pads	Speciality Pads - SXR / Vee / MXS	Sintered HH/R Pads/ Grooved Shoes	Standard Replacement Disc	Contour Disc Rear Fitment	Vee Discs CONTOUR	CX Extreme MX Race Disc / UTVX Disc	Rear disc bolt kit	Rear Brake Line
1				FA419				MD3060	MD3060C	VR3060		DB303/5	
2		DB303/5	BLM3101-2F	FA063			FA063HH	MD3060	MD3060C	VR3060		DB303/5	
3		DB303/5	BLM3130-3F	FA063				MD3008	MD3008C	VR3008		DB303/5	
4			BLM3155-1F	S626									
5				K720*									
6				SFA412	SFAC412		SFA412HH	MD998D		VR988			
7				SFA412	SFAC412		SFA412HH	MD998D		VR988			
8				SFA412	SFAC412		SFA412HH	MD998D		VR988			
9				SFA412	SFAC412		SFA412HH	MD998D		VR988			
10				SFA412	SFAC412		SFA412HH	MD988D		VR988			
11		DB302/5										DB302/4	
12				FA174			FA174HH	MD6232D			MD6232CX		
13		DB302/5										DB302/4	
14				FA174			FA174HH	MD6232D			MD6232CX		
15		DB302/5										DB302/4	
16				FA174			FA174HH	MD6232D			MD6232CX		
17		DB302/5										DB302/4	
18				FA174			FA174HH	MD6232D			MD6232CX		
19		DB302/5										DB302/4	
20				FA174			FA174HH	MD6232D			MD6232CX		
21		DB302/5										DB302/4	
22				FA174			FA174HH	MD6232D			MD6232CX		
23		DB302/5										DB302/4	
24				FA174			FA174HH	MD6232D			MD6232CX		
25		DB302/5										DB302/4	
26				FA174			FA174HH	MD6232D			MD6232CX		
27				FA157			FA157R	MD6077D					
28				FA157			FA157R	MD6077D					
29			BLM3008-1F	FA157			FA157R	MD6077D					
30	SMX6094		BLM3008-1F	FA152TT		MXS152	FA152R	MD6095D			MD6095CX		
31				S606			S605G						
32													BLM3032-1R
33				FA036				MD3027					
34		DB302/5	BLM3047-7FR	FA174			FA174HH	MD3093	MD3093C	VR3093		DB303/5	
35		DB302/5	BLM3047-7FR	FA174			FA174HH	MD3093	MD3093C	VR3093		DB303/5	
36		DB302/5	BLM3046-2F	FA174			FA174HH	MD3093	MD3093C	VR3093		DB303/5	
37		DB302/5	BLM3047-7FR	FA174			FA174HH	MD3093	MD3093C	VR3093		DB303/5	
38		DB303/5		FA254			FA254HH★	MD3008	MD3008C	VR3008		DB303/5	
39		DB303/5		FA254			FA254HH★	MD3008	MD3008C	VR3008		DB303/5	
40		DB302/5		FA174			FA174HH	MD3093	MD3093C	VR3093		DB303/5	
41		DB302/5		FA174			FA174HH	MD3093	MD3093C	VR3093		DB303/5	
42		DB302/5		FA174			FA174HH	MD3093	MD3093C	VR3093		DB303/5	
43		DB302/5		FA174			FA174HH	MD3093	MD3093C	VR3093		DB303/5	
44		DB303/5	BLM3048-2F	FA254			FA254HH★	MD3008	MD3008C	VR3008		DB303/5	
45		DB303/5	BLM3048-2F	FA254			FA254HH★	MD3008	MD3008C	VR3008		DB303/5	
46		DB302/5		FA174			FA174HH	MD3093	MD3093C	VR3093		DB303/5	
47		DB302/5	BLM3073-2F	FA174			FA174HH	MD3093	MD3093C	VR3093		DB303/5	
48			BLM3129-1F	S606			S605G						
49		DB303/5							MD3093C				BLM3147-1R
50				FA496		FA496V	FA496HH	MD3093					
51		DB303/5							MD3093C				
52				FA496		FA496V	FA496HH	MD3093					
53		DB303/5		FA063			FA063HH	MD3008	MD3008C	VR3008		DB303/5	
54		DB303/5		FA063			FA063HH	MD3008	MD3008C	VR3008		DB303/5	
55		DB303/5	BLM3143-3F	FA174			FA174HH	MD3060	MD3060C	VR3060			
56		DB303/5	BLM3143-3F	FA174			FA174HH	MD3060	MD3060C	VR3060			
57		DB303/5							MD3093C				
58				FA174			FA174HH	MD3093					
59		DB303/5							MD3093C				
60				FA496		FA496V	FA496HH	MD3093					

REAR / ARRIÈRE / HINTEN / POSTERIORE

*-2 Sets Required. † For Vee disc colours add RED, BLU, GRN, GLD, ORG suffix to part number.

⊙ - Also available as a Vintage Motorcycle Disc. ★ - EPFA available. ⚙ - Disc made of Billet steel. ♦ - CE solid discs for Enduro use.

Part numbers, prefixes, suffixes, photos and illustrations shown in this catalogue are trademarks and/or copyrights of EBC Brakes or the trademark owner A C Freeman Investments Ltd and use without express written permission of the owners is punishable by law.

R Suffix = High Durability Sintered Pad. **HH** Suffix = High Performance Sintered Pad. **TT** Suffix = Hard Wearing Off Road Pad. **V** Suffix = Semi Sintered Pad. **G** Suffix = Grooved Shoe. **D** Suffix = Drilled Disc. **X** Suffix = Universal Left or Right Floating Disc. **XC** Suffix = Contoured Floating Disc. **LS** Suffix = Left/Steel Disc. **RS** = Right/Steel Disc.

JAPANESE Built Motorcycles



SUZUKI Contd.



DISC PAD CHOICES - FRONT

BRAKE DISC CHOICES - FRONT

FRONT / AVANT / VORN / FRENTE / ANTERIORE

Model	Year	FA, SFA, TT Pad or Brake Shoe	SFAC Carbon Scooter Pads	Speciality Pads - SXR / Vee / MXS	Sintered/HH Pads/ Grooved Shoes	Standard Replacement Discs	Contour Disc Universal Left and Right	Vee-Discs Black † See note below	CX Extreme Disc / UTVX Disc	OSX Oversize 250mm or 280mm	Line #
SV 650	2019-2023	FA158*			FA158HH*★	MD3103X*	MD3103XC*				1
SV 650 Faired	1999-2002	FA229		FA229V	FA229HH★	MD3003X*	MD3003XC*	VR3003BLK*†			2
SV 650 Faired	1999-2002	FA231		FA231V	FA231HH★	MD3003X*	MD3003XC*	VR3003BLK*†			3
SV 650 Faired	2003-2015	FA229		FA229V	FA229HH★	MD3090X*	MD3090XC*	VR3090BLK*†			4
SV 650 Faired	2003-2015	FA231		FA231V	FA231HH★	MD3090X*	MD3090XC*	VR3090BLK*†			5
SV 650 Faired	Left 2007-2015	FA229		FA229V	FA229HH★	MD3103X*	MD3103XC*				6
	Right 2007-2015	FA231		FA231V	FA231HH★						7
SV 650 X	Left 2018	FA229		FA229V	FA229HH★	MD3103X*	MD3103XC*				8
	Right 2018	FA231		FA231V	FA231HH★						9
SV 650 X	2019-2023	FA158*			FA158HH*★	MD3103X*	MD3103XC*				10
XF 650 Freewind	1997-2002	FA231		FA231V	FA231HH★	MD6113D					11
XN 85 Turbo	Left 1983	FA065*				MD3028LS					12
	Right 1983					MD3028RS					13
GS 700 EF/ESF	Left 1985	FA051*		FA051V*		MD3028LS					14
	Right 1985					MD3028RS					15
LT-A 700 King Quad	Left 2005-2007	FA413TT			FA413R	MD6261D*					16
	Right 2005-2007	FA414TT			FA414R						17
LT-V 700 Twin Peaks	Left 2004-2005				FA342R	MD6188D*			UTVX6188*		18
	Right 2004-2005				FA349R						19
VS 700	1986-1987	FA103		FA103V	FA103HH	MD3073LS					20
VS 700	1986	FA103		FA103V	FA103HH	MD3031LS					21
VS 700	1987	FA103		FA103V	FA103HH	MD3032LS					22
DR 750 SJ SR41A	1988	FA147			FA147R	MD6076D					23
DR 750 SK SR41A	1989	FA147			FA147R	MD6076D					24
GS 750	Left 1977-1980	FA035*				MD3014LS⊗					25
	Right 1977-1980					MD3014RS⊗					26
GS 750 B	1977	FA035				MD3019LS⊗					27
GSR 750 AL	2011-2016	FA229		FA229V	FA229HH★	MD3092X*	MD3092XC*	VR3092BLK*†			28
GSR 750 AL	2011-2016	FA231		FA231V	FA231HH★	MD3092X*	MD3092XC*	VR3092BLK*†			29
GSR 750 L	2011-2016	FA229		FA229V	FA229HH★	MD3092X*	MD3092XC*	VR3092BLK*†			30
GSR 750 L	2011-2016	FA231		FA231V	FA231HH★	MD3092X*	MD3092XC*	VR3092BLK*†			31
GSX 750	1998-2002	FA229		FA229V	FA229HH★	MD3003X*	MD3003XC*	VR3003BLK*†			32
GSX 750	1998-2002	FA231		FA231V	FA231HH★	MD3003X*	MD3003XC*	VR3003BLK*†			33
GSX 750	2003-2006	FA231		FA231V	FA231HH★	MD3090X*	MD3090XC*	VR3090BLK*†			34
GSX 750	2003-2006	FA229		FA229V	FA229HH★	MD3090X*	MD3090XC*	VR3090BLK*†			35
GSX 750 E	Left 1980-1981	FA051*		FA051V*		MD3014LS⊗					36
	Right 1980-1981					MD3014RS⊗					37
GSX 750 E	Left 1982-1986	FA051*		FA051V*		MD3028LS					38
	Right 1982-1986					MD3028RS					39
GSX 750 GR78A	1989-1997	FA146*		FA146V*	FA146HH*	MD3003X*	MD3003XC*	VR3003BLK*†			40
GSX 750 Katana FS75X-114747-	Left 1984	FA065*		FA065V*		MD3028LS					41
	Right 1984					MD3028RS					42
GSX 750 S/SS GS75X-106815-	Left 1984	FA065*		FA065V*		MD3028LS					43
	Right 1984					MD3028RS					44
GSX 750 SE Katana GR72A	Left 1985	FA063*		FA063V*	FA063HH*	MD3014LS⊗					45
	Right 1985					MD3014RS⊗					46
GSX 750 W/X/Y/K1	Left 1998-2003	FA229		FA229V	FA229HH★	MD3045*					47
	Right 1998-2003	FA231		FA231V	FA231HH★						48
GSXR 750	1988-1993	FA145*			FA145HH*★	MD3007X*	MD3007XC*	VR3007BLK*†			49
GSX-R 750	2011-2022				FA447HH*★	MD3100X*	MD3100XC*	VR3100BLK*†			50
GSXR 750 F/G/H GR75A	1985-1987	FA103*			FA103HH*	MD3005*					51
GSXR 750 K	2004-2005				FA379HH*★	MD3104X*	MD3104XC*	VR3104BLK*†			52
GSXR 750 K	2006-2007				FA379HH*★	MD3091X*	MD3091XC*	VR3091BLK*†			53
GSXR 750 K/L	2008-2010				FA379HH*★	MD3100X*	MD3100XC*	VR3100BLK*†			54
GSXR 750 RG	1986	FA145*			FA145HH*★	MD3005*					55
GSXR 750 SRAD	1996-1999	FA188*			FA188HH*★	MD3058X*	MD3058XC*	VR3058BLK*†			56
GSXR 750 WR/WS	1994-1995	FA188*			FA188HH*★	MD3007X*	MD3007XC*	VR3007BLK*†			57
GSXR 750 Y/K	2000-2003	FA158*			FA158HH*★	MD3058X*	MD3058XC*	VR3058BLK*†			58
GSX-S 750	2017-2022				FA347HH*★	MD3100X*	MD3100XC*	VR3100BLK*†			59
GSX-S 750 L8 E21	2018-2022				FA347HH*★	MD3092X*	MD3092XC*				60

*-2 Sets Required. † For Vee disc colours add RED, BLU, GRN, GLD, ORG suffix to part number.

⊗ - Also available as a Vintage Motorcycle Disc. ★ - EPFA available. ⊕ Disc made of Billet steel. ◆ CE solid discs for Enduro use.

JAPANESE Built Motorcycles

BRAKE APPLICATIONS

Line #	BRAKE DISC CHOICES - FRONT			DISC PAD CHOICES - REAR				BRAKE DISC CHOICES - REAR					
	SMX Oversize 320mm Disc Kit Front Left	Front disc bolt kit	Front Brake Line	FA, SFA, TT Pad or Brake Shoe	SFAC Carbon Scooter Pads	Speciality Pads - SXR / Vee / MXS	Sintered HH/R Pads/ Grooved Shoes	Standard Replacement Disc	Contour Disc Rear Fitment	Vee Discs CONTOUR	CX Extreme MX Race Disc / UTVX Disc	Rear disc bolt kit	Rear Brake Line
1		DB303/5		FA496		FA496V	FA496HH	MD3093	MD3093C				
2		DB303/5	BLM3145-3F	FA063			FA063HH	MD3008	MD3008C	VR3008			
3		DB303/5	BLM3145-3F	FA063			FA063HH	MD3008	MD3008C	VR3008			
4		DB303/5	BLM3144-3F	FA174			FA174HH	MD3060	MD3060C	VR3060			
5		DB303/5	BLM3144-3F	FA174			FA174HH	MD3060	MD3060C	VR3060			
6		DB303/5							MD3093C				
7				FA174			FA174HH	MD3093					
8		DB303/5							MD3093C			DB303/5	
9				FA496		FA496V	FA496HH	MD3093					
10		DB303/5		FA496		FA496V	FA496HH	MD3093	MD3093C				
11				FA140		FA140V	FA140HH	MD6095D					
12													
13				FA036				MD3014RS					
14													
15				FA036				MD3029					
16		DB302/3											
17													
18													
19													
20				S626									
21				S626									
22				S626									
23			BLM3009-1F	S606			S605G						
24			BLM3009-1F	FA157			FA157R	MD6077D					
25													
26				FA036				MD3014RS					
27			BLM3033-3F	FA036				MD3014RS					
28		DB302/5	BLM3051-2F	FA174			FA174HH	MD3093	MD3093C	VR3093			
29		DB302/5	BLM3051-2F	FA174			FA174HH	MD3093	MD3093C	VR3093			
30		DB302/5		FA174			FA174HH	MD3093	MD3093C	VR3093		DB302/5	
31		DB302/5		FA174			FA174HH	MD3093	MD3093C	VR3093		DB302/5	
32		DB303/5		FA063			FA063HH	MD3008	MD3008C	VR3008		DB303/5	
33		DB303/5		FA063			FA063HH	MD3008	MD3008C	VR3008		DB303/5	
34		DB303/5		FA063			FA063HH	MD3008	MD3008C	VR3008		DB303/5	
35		DB303/5		FA063			FA063HH	MD3008	MD3008C	VR3008		DB303/5	
36													
37				FA036				MD3014RS					
38													BLM3076-1R
39				FA036				MD3029					
40		DB303/5	BLM3077-3F	FA063			FA063HH	MD3002	MD3002C	VR3002		DB303/5	
41													
42				FA036				MD3014RS					
43													
44				FA036				MD3014RS					
45													BLM3080-1R
46				FA036				MD3029					
47		DB303/5		FA063			FA063HH	MD3008	MD3008C			DB303/5	BLM3081-1R
48													
49		DB303/5	BLM3106-3F	FA063			FA063HH	MD3008	MD3008C	VR3008		DB303/5	
50			BLM3099-2F	FA436			FA436HH	MD3060	MD3060C	VR3060			
51			BLM3105-3F	FA063			FA063HH	MD3009					
52		DB303/5	BLM3097-2F	FA254			FA254HH★	MD3060	MD3060C	VR3060			
53		DB303/5	BLM3098-2F	FA419			FA419HH	MD3060	MD3060C	VR3060			
54			BLM3098-2F	FA419			FA419HH	MD3060	MD3060C	VR3060			
55				FA063			FA063HH	MD3009					
56		DB303/5	BLM3101-2F	FA063			FA063HH	MD3060	MD3060C	VR3060		DB303/5	
57		DB303/5	BLM3113-2F	FA063			FA063HH	MD3008	MD3008C	VR3008		DB303/5	
58		DB303/5	BLM3115-2F	FA063			FA063HH	MD3060	MD3060C	VR3060		DB303/5	
59							FA174HH	MD3093	MD3060C	VR3060			
60		DB302/5					FA174HH	MD3093	MD3093C				

REAR / ARRIÈRE / HINTEN / POSTERIOR / POSTERIORE

*-2 Sets Required. † For Vee disc colours add RED, BLU, GRN, GLD, ORG suffix to part number.

⊙ - Also available as a Vintage Motorcycle Disc. ★ - EPFA available. ⊕ Disc made of Billet steel. ◆ CE solid discs for Enduro use.

Part numbers, prefixes, suffixes, photos and illustrations shown in this catalogue are trademarks and/or copyrights of EBC Brakes or the trademark owner A C Freeman Investments Ltd and use without express written permission of the owners is punishable by law.

R Suffix = High Durability Sintered Pad. HH Suffix = High Performance Sintered Pad. TT Suffix = Hard Wearing Off Road Pad. V Suffix = Semi Sintered Pad. G Suffix = Grooved Shoe. D Suffix = Drilled Disc. X Suffix = Universal Left or Right Floating Disc. XC Suffix = Contoured Floating Disc. LS Suffix = Left/Steel Disc. RS = Right/Steel Disc.

JAPANESE Built Motorcycles



SUZUKI Contd.



DISC PAD CHOICES - FRONT

BRAKE DISC CHOICES - FRONT

FA, SFA, TT Pad or Brake Shoe	SFAC Carbon Scooter Pads	Speciality Pads - SXR / Vee / MXS	Sintered/HH Pads/ Grooved Shoes	Standard Replacement Discs	Contour Disc Universal Left and Right	Vee-Discs Black † See note below	CX Extreme Disc / UTVX Disc	OSX Oversize 250mm or 280mm
			FA347HH*★	MD3092X*	MD3092XC*			
			FA347HH*★	MD3092X*	MD3092XC*			
FA055*				MD3019LS⊗				
				MD3019RS⊗				
FA413TT			FA413R	MD6261D*				
FA414TT			FA414R					
FA413TT			FA413R	MD6355D*				
FA414TT			FA414R					
FA103		FA103V	FA103HH	MD3031LS				
FA103		FA103V	FA103HH	MD3032LS				
FA103		FA103V	FA103HH	MD3073LS				
FA103		FA103V	FA103HH	MD3032RS				
FA147			FA147R	MD6076D				
FA129			FA129R	MD6113D				
FA229		FA229V	FA229HH★	MD6113D				
			FA347HH*★					
			FA347HH*★					
FA231		FA231V	FA231HH★	MD3096RS				
FA231		FA231V	FA231HH★	MD3096RS				
FA231		FA231V	FA231HH★	MD3096RS				
FA231		FA231V	FA231HH★	MD3095RS				
FA231		FA231V	FA231HH★	MD3095RS				
FA231		FA231V	FA231HH★	MD3095RS				
FA231		FA231V	FA231HH★	MD3095RS				
FA103		FA103V	FA103HH	MD3032RS				
FA226*			FA226HH*★					
FA226*			FA226HH*★					
FA226*			FA226HH*★					
FA129		FA129V	FA129HH	MD3033LS				
FA229		FA229V	FA229HH★	MD3033LS				
FA231		FA231V	FA231HH★	MD3045				
FA038*		FA038V*		MD3014LS⊗				
				MD3014RS⊗				
FA051*		FA051V*		MD3014LS⊗				
				MD3014RS⊗				
FA229		FA229V	FA229HH★	MD3014LS⊗				
FA145*			FA145HH*★	MD3006X*	MD3006XC*	VR3006BLK*†		
FA145*			FA145HH*★	MD3006X*	MD3006XC*	VR3006BLK*†		
			FA379HH*★	MD3109X*	MD3109XC*			
FA229			FA229HH★	MD3088X*	MD3088XC*	VR3088BLK*†		
FA231			FA231HH★					
			FA379HH*★	MD3092X*	MD3092XC*			
			FA379HH*★	MD3092X*	MD3092XC*			
FA038*		FA038V*		MD3014LS⊗				
				MD3014RS⊗				
FA065*				MD3014LS⊗				
				MD3014RS⊗				
FA051*				MD3014LS⊗				
				MD3014RS⊗				
			FA447HH*★	MD3109X*	MD3109XC*	VR3109BLK*†		
FA065*				MD3014LS⊗				
				MD3014RS⊗				
			FA447HH*★	MD3102X*	MD3102XC*	VR3102BLK*†		
			FA447HH*★	MD3102X*	MD3102XC*	VR3102BLK*†		
			FA447HH*★	MD3107X*	MD3107XC*	VR3107BLK*†		
FA188*			FA188HH*★	MD3058X*	MD3058XC*	VR3058BLK*†		
			FA369/4HH*★	MD3089X*	MD3089XC*	VR3089BLK*†		
			FA379HH*★	MD3104X*	MD3104XC*	VR3104BLK*†		
			FA379HH*★	MD3091X*	MD3091XC*	VR3091BLK*†		

FRONT / AVANT / VORN / VORN / FRENTE / ANTERIORE

Line #
1
2
3
4
5
6
7
8
9
10
11
12
13
14
15
16
17
18
19
20
21
22
23
24
25
26
27
28
29
30
31
32
33
34
35
36
37
38
39
40
41
42
43
44
45
46
47
48
49
50
51
52
53
54
55
56
57
58
59
60

R Suffix = High Durability Sintered Pad. HH Suffix = High Performance Sintered Pad. TT Suffix = Hard Wearing Off Road Pad. V Suffix = Semi Sintered Pad. G Suffix = Grooved Shoe.
D Suffix = Drilled Disc. X Suffix = Universal Left or Right Floating Disc. XC Suffix = Contoured Floating Disc. LS Suffix = Left/Steel Disc. RS = Right/Steel Disc.

*-2 Sets Required. † For Vee disc colours add RED, BLU, GRN, GLD, ORG suffix to part number.

⊗ - Also available as a Vintage Motorcycle Disc. ★ - EPFA available. ⊕ Disc made of Billet steel. ◆ CE solid discs for Enduro use.

JAPANESE Built Motorcycles

Line #	BRAKE DISC CHOICES - FRONT			DISC PAD CHOICES - REAR				BRAKE DISC CHOICES - REAR					
	SMX Oversize 320mm Disc Kit Front Left	Front disc bolt kit	Front Brake Line	FA, SFA, TT Pad or Brake Shoe	SFAC Carbon Scooter Pads	Speciality Pads - SXR / Vee / MXS	Sintered HH/R Pads/ Grooved Shoes	Standard Replacement Disc	Contour Disc Rear Fitment	Vee Discs CONTOUR	CX Extreme MX Race Disc / UTVX Disc	Rear disc bolt kit	Rear Brake Line
1		DB302/5					FA174HH	MD3093	MD3093C				
2		DB302/5					FA174HH	MD3093	MD3093C				
3				S634									
4													
5				S634									
6		DB302/3											
7													
8													
9													
10			BLM3155-1F	S626									
11				S626									
12				S626									
13				S626									
14			BLM3010-1F	FA157			FA157R	MD6077D					
15			BLM3010-1F	FA165/2TT			FA165/2R	MD6077D					
16				FA165/2TT			FA165/2R	MD6077D					
17							FA174HH						
18							FA174HH						
19				S626									
20				S626									
21				S626									
22				S626									
23				S626									
24				S626									
25				S626									
26			BLM3155-1F	S626									
27				FA174			FA174HH						
28				FA174			FA174HH						
29				FA174			FA174HH						
30			BLM3158-1F	FA146			FA146HH	MD3061					
31				FA146			FA146HH	MD3061					
32		DB303/5	BLM3159-1F	S626									
33													BLM3035-1R
34				FA036				MD3014RS					
35													BLM3036-1R
36				FA036				MD3027					
37				FA174			FA174HH	MD6232D					
38		DB303/5	BLM3131-3F	FA222				MD3008	MD3008C	VR3008		DB303/5	
39		DB303/5	BLM3131-3F	FA063			FA063HH	MD3008	MD3008C	VR3008		DB303/5	
40				FA174			FA174HH	TBC	MD3108C	VR3108			
41		DB302/5										DB302/4	BLM3002-1R
42				FA174			FA174HH	MD6232D			MD6232CX		
43		DB302/5	BLM3001-3F	FA419			FA419HH	MD6232D			MD6232CX	DB302/4	
44		DB302/5		FA419			FA419HH	MD6232D			MD6232CX	DB302/4	
45													
46				FA036				MD3014RS					
47													BLM3017-1R
48				FA036				MD3014RS					
49													BLM3052-1R
50				FA036				MD3014RS					
51				FA174			FA174HH	MD3108	MD3108C	VR3108			
52													
53				FA036				MD3014RS					
54			BLM3082-2F	FA436			FA436HH	MD3060	MD3060C	VR3060			
55				FA436			FA436HH	MD3106	MD3106C	VR3106			
56				FA436			FA436HH	MD3106	MD3106C	VR3106			
57		DB303/5	BLM3087-2F	FA254			FA254HH★	MD3060	MD3060C	VR3060		DB303/5	
58		DB303/5	BLM3088-2F	FA254			FA254HH★	MD3060	MD3060C	VR3060		DB303/5	
59		DB303/5	BLM3088-2F	FA254			FA254HH★	MD3060	MD3060C	VR3060		DB303/5	
60		DB303/5	BLM3084-2F	FA254			FA254HH★	MD3060	MD3060C	VR3060			

REAR / ARRIÈRE / HINTEN / POSTERIOR / POSTERIORE

R Suffix = High Durability Sintered Pad. HH Suffix = High Performance Sintered Pad. TT Suffix = Hard Wearing Off Road Pad. V Suffix = Semi Sintered Pad. G Suffix = Grooved Shoe. D Suffix = Drilled Disc. X Suffix = Universal Left or Right Floating Disc. XC Suffix = Contoured Floating Disc. LS Suffix = Left/Steel Disc. RS = Right/Steel Disc.

*-2 Sets Required. † For Vee disc colours add RED, BLU, GRN, GLD, ORG suffix to part number.

⊙ - Also available as a Vintage Motorcycle Disc. ★ - EPFA available. ⊕ Disc made of Billet steel. ◆ CE solid discs for Enduro use.

Part numbers, prefixes, suffixes, photos and illustrations shown in this catalogue are trademarks and/or copyrights of EBC Brakes or the trademark owner A C Freeman Investments Ltd and use without express written permission of the owners is punishable by law.

JAPANESE Built Motorcycles



SUZUKI Contd.



DISC PAD CHOICES - FRONT

BRAKE DISC CHOICES - FRONT

FRONT / AVANT / VORN / FRENTE / ANTERIORE

Model	Year	FA, SFA, TT Pad or Brake Shoe	SFAC Carbon Scooter Pads	Speciality Pads - SXR / Vee / MXS	Sintered/HH Pads/ Grooved Shoes	Standard Replacement Discs	Contour Disc Universal Left and Right	Vee-Discs Black † See note below	CX Extreme Disc / UTVX Disc	OSX Oversize 250mm or 280mm	Line #
GSXR 1000 K7/K8	2007-2008				FA379HH*★	MD3091X*	MD3091XC*	VR3091BLK*†			1
GSXR 1000 K9/LO/L1	2009-2011				FA379HH*★	MD3102X*	MD3102XC*	VR3102BLK*†			2
GSXR 1000 R	2017-2022				FA447HH*★	MD3107X*	MD3107XC*	VR3107BLK*†			3
GSX-S 1000	2021-2024				FA447HH*★	MD3109X*	MD3109XC*				4
GSX-S 1000 F Faired	2016-2020				FA447HH*★	MD3109X*	MD3109XC*	VR3109BLK*†			5
GSX-S 1000 F Faired	2016-2021				FA447HH*★	MD3109X*	MD3109XC*	VR3109BLK*†			6
GSX-S 1000 GT	2021-2024				FA447HH*★	MD3109X*					7
GSX-S 1000 GT+	2023-2024				FA447HH*★	MD3109X*					8
GSX-S 1000 GX	2024				FA447HH*★						9
GSX-S 1000 L	2016-2020				FA447HH*★	MD3109X*	MD3109XC*	VR3109BLK*†			10
GSX-S 1000 L	2016-2020				FA447HH*★	MD3109X*	MD3109XC*	VR3109BLK*†			11
SV 1000	2003-2007	FA158*			FA158HH*★	MD3088X*	MD3088XC*	VR3088BLK*†			12
SV 1000 Faired	2003-2007	FA158*			FA158HH*★	MD3088X*	MD3088XC*	VR3088BLK*†			13
SW-1 NJ45A	1992	FA129		FA129V	FA129HH						14
TL 1000 R	1998-2002	FA188*			FA188HH*★	MD3058X*	MD3058XC*	VR3058BLK*†			15
TL 1000 S	1997-2001	FA158*			FA158HH*★	MD3058X*	MD3058XC*	VR3058BLK*†			16
DL 1050 V-Strom	2018-2024				FA379HH*★	MD3092X*	MD3092XC*				17
DL 1050 V-Strom XT	2018-2023				FA379HH*★	MD3092X*	MD3092XC*				18
DL 1050 V-Strom XT Tour	2018-2023				FA379HH*★	MD3092X*	MD3092XC*				19
DL 1050DE Tour V-Strom	2023-2024				FA379HH*★	MD3092X*	MD3092XC*				20
DL 1050DE V-Strom	2023-2024				FA379HH*★	MD3092X*	MD3092XC*				21
GS 1100 GZ	Left 1982	FA051*				MD3014LS⊗					22
	Right 1982					MD3014RS⊗					23
GSX 1100	Left 1984-1986	FA103*		FA103V	FA103HH*	MD3039LS					24
	Right 1984-1986					MD3039RS					25
GSX 1100 ESD	Left 1983	FA065*				MD3014LS⊗					26
	Right 1983					MD3014RS⊗					27
GSX 1100 ET/EX/EZ	Left 1980-1982	FA065*				MD3014LS⊗					28
	Right 1980-1982					MD3014RS⊗					29
GSX 1100 F GV72A	Left 1988-1994	FA146*			FA146HH*	MD3039LS					30
	Right 1988-1994					MD3039RS					31
GSX 1100 G	Left 1991-1996	FA129*		FA129V	FA129HH*	MD3037LS					32
	Right 1991-1996					MD3037RS					33
GSX 1100 SZ/SD Katana	Left 1982-1983	FA065*				MD3014LS⊗					34
	Right 1982-1983					MD3014RS⊗					35
GSXR 1100 GU75A	1993-1996	FA188*			FA188HH*★	MD3007X*	MD3007XC*	VR3007BLK*†			36
GSXR 1100 GV73B	1989-1992	FA145*			FA145HH*★	MD3007X*	MD3007XC*	VR3007BLK*†			37
GSXR 1100 GV74B	1986-1988	FA103*			FA103HH*	MD3004*					38
GS 1200 GV78A	2001	FA188*			FA188HH*★	MD3006X*	MD3006XC*	VR3006BLK*†			39
GSF 1200 Bandit	1996-2000	FA145*			FA145HH*★	MD3006X*	MD3006XC*	VR3006BLK*†			40
GSF 1200 Bandit	2001-2005	FA188*			FA188HH*★	MD3006X*	MD3006XC*	VR3006BLK*†			41
GSF 1200 Bandit	2006	FA158*			FA158HH*★	MD3092X*	MD3092XC*	VR3092BLK*†			42
GSF 1200 Bandit	2006	FA158*			FA158HH*★	MD3092X*	MD3092XC*	VR3092BLK*†			43
GSF 1200 Faired Bandit	1996-2000	FA145*			FA145HH*★	MD3006X*	MD3006XC*	VR3006BLK*†			44
GSF 1200 S Faired Bandit	2001-2005	FA188*			FA188HH*★	MD3006X*	MD3006XC*	VR3006BLK*†			45
GSF 1200 SAV Faired Bandit	Left 1997	FA145*			FA145HH*★	MD3075LS					46
	Right 1997					MD3075RS					47
GSX 1200 Inazuma	1998-2001	FA244*			FA244HH*★	MD3006X*	MD3006XC*	VR3006BLK*†			48
GV 1200 Madura	Left 1985-1986	FA051*		FA051V*		MD3030LS					49
	Right 1985-1986					MD3030RS					50
GSF 1250 Bandit	2007-2011	FA158*			FA158HH*★	MD3092X*	MD3092XC*	VR3092BLK*†			51
GSF 1250 Bandit	2007-2010	FA158*			FA158HH*★	MD3092X*	MD3092XC*	VR3092BLK*†			52
GSF 1250 Faired Bandit	2007-2016	FA158*			FA158HH*★	MD3092X*	MD3092XC*	VR3092BLK*†			53
GSF 1250 Faired Bandit	2007-2010	FA158*			FA158HH*★	MD3092X*	MD3092XC*	VR3092BLK*†			54
GSX 1250	2010-2016	FA158*			FA158HH*★	MD3092X*	MD3092XC*	VR3092BLK*†			55
GSX 1250 Sports Touring	2010-2014	FA158*			FA158HH*★	MD3092X*	MD3092XC*	VR3092BLK*†			56
GSX 1300 B-King	2008-2012				FA347HH*★	MD3098X*	MD3098XC*	VR3098BLK*†			57
GSX 1300 Hayabusa	1999-2007	FA188*			FA188HH*★	MD3058X*	MD3058XC*	VR3058BLK*†			58
GSX 1300 Hayabusa	2008-2012				FA379HH*★	MD3098X*	MD3098XC*	VR3098BLK*†			59
GSX 1300 R Hayabusa	2013-2020				FA447HH*★	MD3098X*	MD3098XC*	VR3098BLK*†			60

*-2 Sets Required. † For Vee disc colours add RED, BLU, GRN, GLD, ORG suffix to part number.

⊗ - Also available as a Vintage Motorcycle Disc. ★ - EPFA available. ⊕ Disc made of Billet steel. ◆ CE solid discs for Enduro use.

JAPANESE Built Motorcycles

BRAKE APPLICATIONS

Line #	BRAKE DISC CHOICES - FRONT			DISC PAD CHOICES - REAR				BRAKE DISC CHOICES - REAR					
	SMX Oversize 320mm Disc Kit Front Left	Front disc bolt kit	Front Brake Line	FA, SFA, TT Pad or Brake Shoe	SFAC Carbon Scooter Pads	Speciality Pads - SXR / Vee / MXS	Sintered HH/R Pads/ Grooved Shoes	Standard Replacement Disc	Contour Disc Rear Fitment	Vee Discs CONTOUR	CX Extreme MX Race Disc / UTVX Disc	Rear disc bolt kit	Rear Brake Line
1		DB303/5	BLM3085-2F	FA419			FA419HH	MD3060	MD3060C	VR3060			
2			BLM3086-2F	FA436			FA436HH	MD3060	MD3060C	VR3060			
3			BLM3167-3F	FA436			FA436HH	MD3106	MD3106C	VR3106			
4							FA174HH	MD3108	MD3108C	VR3108			
5							FA174HH	MD3108	MD3108C	VR3108			
6							FA174HH	MD3108	MD3108C	VR3108			
7							FA174HH						
8							FA174HH						
9							FA174HH						
10							FA174HH	MD3108	MD3108C	VR3108			
11							FA174HH	MD3108	MD3108C	VR3108			
12		DB302/5	BLM3141-2F	FA174			FA174HH	MD3060	MD3060C	VR3060		DB303/5	
13		DB302/5	BLM3142-2F	FA174			FA174HH	MD3060	MD3060C	VR3060		DB303/5	
14				S606			S606G						
15		DB303/5	BLM3148-2F	FA063			FA063HH	MD3060	MD3060C	VR3060		DB303/5	
16		DB303/5	BLM3149-2F	FA063			FA063HH	MD3060	MD3060C	VR3060		DB303/5	
17		DB302/5					FA419HH	MD6232D			MD6232CX		
18		DB302/5					FA419HH	MD6232D			MD6232CX		
19		DB302/5					FA419HH	MD6232D			MD6232CX		
20		DB302/5					FA419HH	MD6232D			MD6232CX		
21		DB302/5					FA419HH	MD6232D			MD6232CX		
22													BLM3019-1R
23				FA036				MD3027					
24				FA103		FA103V	FA103HH	MD3039					BLM3053-1R
25													
26													BLM3054-1R
27				FA036				MD3014RS					
28													BLM3055-1R
29				FA036				MD3014RS					
30				FA103			FA103HH	MD3036					BLM3057-1R
31													
32				FA146			FA146HH	MD3038					BLM3058-1R
33													
34													
35				FA036				MD3014RS					
36		DB303/5		FA063			FA063HH	MD3008	MD3008C	VR3008		DB303/5	
37		DB303/5		FA063			FA063HH	MD3008	MD3008C	VR3008		DB303/5	
38				FA063			FA063HH	MD3009					
39		DB303/5		FA254			FA254HH★	MD3008	MD3008C	VR3008			
40		DB303/5	BLM3038-3F	FA063			FA063HH	MD3008	MD3008C	VR3008		DB303/5	
41		DB303/5	BLM3037-3F	FA063			FA063HH	MD3008	MD3008C	VR3008		DB303/5	
42		DB302/5	BLM3037-3F	FA174			FA174HH	MD3093	MD3093C	VR3093			
43		DB302/5		FA174			FA174HH	MD3093	MD3093C	VR3093			
44		DB303/5		FA063			FA063HH	MD3008	MD3008C			DB303/5	
45		DB303/5		FA063			FA063HH	MD3008	MD3008C	VR3008		DB303/5	
46		DB303/5										DB303/5	
47				FA063			FA063HH	MD3076					
48		DB303/5		FA063			FA063HH	MD3008	MD3008C	VR3008		DB303/5	
49													
50				FA036				MD3041					
51		DB302/5		FA174			FA174HH	MD3093	MD3093C	VR3093			
52		DB302/5	BLM3039-2F	FA174			FA174HH	MD3093	MD3093C	VR3093			
53		DB302/5	BLM3040-8F	FA174			FA174HH	MD3093	MD3093C	VR3093			
54		DB302/5		FA174			FA174HH	MD3093	MD3093C	VR3093			
55		DB302/5		FA174			FA174HH	MD3093	MD3093C	VR3093			
56		DB302/5		FA174			FA174HH	MD3093	MD3093C	VR3093			
57		DB302/5	BLM3000-2F	FA419			FA419HH	MD3099	MD3099C	VR3099			
58		DB302/5	BLM3060-2F	FA063			FA063HH	MD3008	MD3008C	VR3008		DB302/6	
59		DB302/5	BLM3061-2F	FA419			FA419HH	MD3099	MD3099C	VR3099		DB302/6	
60		DB302/5	BLM3169-3F	FA419			FA419HH	MD3099	MD3099C	VR3099		DB302/6	

REAR / ARRIÈRE / HINTEN / POSTERIOR / POSTERIORE

R Suffix = High Durability Sintered Pad. **HH** Suffix = High Performance Sintered Pad. **TT** Suffix = Hard Wearing Off Road Pad. **V** Suffix = Semi Sintered Pad. **G** Suffix = Grooved Shoe.
D Suffix = Drilled Disc. **X** Suffix = Universal Left or Right Floating Disc. **XC** Suffix = Contoured Floating Disc. **LS** Suffix = Left/Steel Disc. **RS** = Right/Steel Disc.

*-2 Sets Required. † For Vee disc colours add RED, BLU, GRN, GLD, ORG suffix to part number.

⊙ - Also available as a Vintage Motorcycle Disc. ★ - EPFA available. ⊕ Disc made of Billet steel. ◆ CE solid discs for Enduro use.

Part numbers, prefixes, suffixes, photos and illustrations shown in this catalogue are trademarks and/or copyrights of EBC Brakes or the trademark owner A C Freeman Investments Ltd and use without express written permission of the owners is punishable by law.

JAPANESE Built Motorcycles



SUZUKI Contd.



R Suffix = High Durability Sintered Pad. **HH** Suffix = High Performance Sintered Pad. **TT** Suffix = Hard Wearing Off Road Pad. **V** Suffix = Semi Sintered Pad. **G** Suffix = Grooved Shoe.
D Suffix = Drilled Disc. **X** Suffix = Universal Left or Right Floating Disc. **XC** Suffix = Contoured Floating Disc. **LS** Suffix = Left/Steel Disc. **RS** = Right/Steel Disc.

		DISC PAD CHOICES - FRONT				BRAKE DISC CHOICES - FRONT					Line #
		FA, SFA, TT Pad or Brake Shoe	SFAC Carbon Scooter Pads	Speciality Pads - SXR / Vee / MXS	Sintered/HH Pads/ Grooved Shoes	Standard Replacement Discs	Contour Disc Universal Left and Right	Vee-Discs Black † See note below	CX Extreme Disc / UTVX Disc	OSX Oversize 250mm or 280mm	
GSX 1300 R New Hayabusa	2021-2024				FA447HH*★	MD3115X*					1
GSX 1300 R New Hayabusa 25th Ann	2024				FA447HH*★	MD3115X*					2
GSX 1400 K2-K7	2001-2007	FA188*			FA188HH*★	MD3058X*	MD3058XC*	VR3058BLK*†			3
GV 1400 Cavalcade	1986	FA103*		FA103V*	FA103HH*	MD3042*					4
GV 1400 Cavalcade	1986-1988	FA146*		FA146V*	FA146HH*	MD3042*					5
VS 1400 Intruder VX51L	1987-2003	FA103		FA103V	FA103HH	MD3032RS					6
M 1500 VZ M Intruder	Left 2009-2013	FA229		FA229V	FA229HH★	MD3090X*					7
	Right 2009-2013	FA231		FA231V	FA231HH★						8
VL 1500 C Intruder	Left 2005-2009	FA229		FA229V	FA229HH★	MD3087LS					9
	Right 2005-2009	FA231		FA231V	FA231HH★	MD3087RS					10
VL 1500 CT BT Intruder	2013-2015	FA196		FA196V	FA196HH						11
VL 1500 Intruder Legendary Classic	1998-1999	FA103		FA103V	FA103HH	MD3078RS					12
VL 1500 Intruder Legendary Classic	2000-2001	FA103		FA103V	FA103HH	MD3078RS					13
VL 1500 Intruder Legendary Classic	Left 2002-2003	FA229		FA229V	FA229HH★	MD3087LS					14
	Right 2002-2003	FA231		FA231V	FA231HH★	MD3087RS					15
VZ 1500 Boulevard-M91 E2	Left 2010	FA229		FA229V	FA229HH★						16
	Right 2010	FA231		FA231V	FA231HH★						17
VZ 1500 Marauder-M90 E2	Left 2009	FA229		FA229V	FA229HH★						18
	Right 2009	FA231		FA231V	FA231HH★						19
M 1600 VZ Marauder	2004	FA188*			FA188HH*★	MD4022X*	MD4022XC*	VR4022BLK*†			20
M 1600 VZ Marauder	2005				FA369/4HH*★	MD4022X*	MD4022XC*	VR4022BLK*†			21
VLR 1800 C R Intruder	2008-2013	FA388*			FA388HH*★	MD3090X*	MD3090XC*	VR3090BLK*†			22
VLR 1800 RT Intruder	2008-2009	FA388*			FA388HH*★	MD3090X*	MD3090XC*	VR3090BLK*†			23
VZR 1800 M BZ	2014-2020				FA379HH*★	MD3091X*	MD3091XC*	VR3091BLK*†			24
VZR 1800 M R Intruder	2006-2009				FA379HH*★	MD3091X*	MD3091XC*	VR3091BLK*†			25
VZR 1800 M R Intruder	2008-2009				FA379HH*★	MD3091X*	MD3091XC*	VR3091BLK*†			26
VZR 1800 M RZ	2007-2013				FA379HH*★	MD3091X*	MD3091XC*	VR3091BLK*†			27
											28
											29
											30
											31
											32
											33
											34
											35
											36
											37
											38
											39
											40
											41
											42
											43
											44
											45
											46
											47
											48
											49
											50
											51
											52
											53
											54
											55
											56
											57
											58
											59
											60

*-2 Sets Required. † For Vee disc colours add RED, BLU, GRN, GLD, ORG suffix to part number.

⊗ - Also available as a Vintage Motorcycle Disc. ★ - EPFA available. ⚙ Disc made of Billet steel. ◆ CE solid discs for Enduro use.

JAPANESE Built Motorcycles

Line #	BRAKE DISC CHOICES - FRONT			DISC PAD CHOICES - REAR				BRAKE DISC CHOICES - REAR					
	SMX Oversize 320mm Disc Kit Front Left	Front disc bolt kit	Front Brake Line	FA, SFA, TT Pad or Brake Shoe	SFAC Carbon Scooter Pads	Speciality Pads - SXR / Vee / MXS	Sintered HH/R Pads/ Grooved Shoes	Standard Replacement Disc	Contour Disc Rear Fitment	Vee Discs CONTOUR	CX Extreme MX Race Disc / UTVX Disc	Rear disc bolt kit	Rear Brake Line
1				FA419			FA419HH	MD3099					
2				FA419			FA419HH	MD3099					
3		DB303/5	BLM3062-3F	FA254			FA254HH★	MD3083	MD3083C				
4				FA103		FA103V	FA103HH	MD3043					
5				FA150			FA150HH	MD3043					
6			BLM3154-1F	FA103		FA103V	FA103HH	MD3044					
7		DB303/5					FA231HH★	MD3097⚡					
8													
9				FA366TT			FA366HH	MD3086⚡					
10													
11							FA231HH★						
12				FA103		FA103V		MD3079⚡					
13				FA103		FA103V		MD3086⚡					
14				FA366TT			FA366HH	MD3086⚡					
15													
16							FA231HH★						
17													
18							FA231HH★						
19													
20		DB405/5					FA231HH★	MD4146					
21		DB405/5					FA231HH★	MD4146					
22		DB303/5					FA231HH★	MD3097⚡					
23		DB303/5					FA231HH★	MD3097⚡					
24		DB303/5					FA231HH★	MD3097⚡					
25		DB303/5					FA231HH★	MD3097⚡					
26		DB303/5					FA231HH★	MD3097⚡					
27		DB303/5					FA231HH★	MD3097⚡					
28													
29													
30													
31													
32													
33													
34													
35													
36													
37													
38													
39													
40													
41													
42													
43													
44													
45													
46													
47													
48													
49													
50													
51													
52													
53													
54													
55													
56													
57													
58													
59													
60													

REAR / ARRIÈRE / HINTEN / POSTERIOR / POSTERIORE

R Suffix = High Durability Sintered Pad. **HH** Suffix = High Performance Sintered Pad. **TT** Suffix = Hard Wearing Off Road Pad. **V** Suffix = Semi Sintered Pad. **G** Suffix = Grooved Shoe.
D Suffix = Drilled Disc. **X** Suffix = Universal Left or Right Floating Disc. **XC** Suffix = Contoured Floating Disc. **LS** Suffix = Left/Steel Disc. **RS** = Right/Steel Disc.

BRAKE APPLICATIONS

*-2 Sets Required. † For Vee disc colours add RED, BLU, GRN, GLD, ORG suffix to part number.

⚡ - Also available as a Vintage Motorcycle Disc. ★ - EPFA available. ⚡ Disc made of Billet steel. ◆ CE solid discs for Enduro use.

Part numbers, prefixes, suffixes, photos and illustrations shown in this catalogue are trademarks and/or copyrights of EBC Brakes or the trademark owner A C Freeman Investments Ltd and use without express written permission of the owners is punishable by law.

JAPANESE Built Motorcycles



YAMAHA



DISC PAD CHOICES - FRONT

BRAKE DISC CHOICES - FRONT

FRONT / AVANT / VORN / FRENTE / ANTERIORE

FA, SFA, TT Pad or Brake Shoe	SFAC Carbon Scooter Pads	Speciality Pads - SXR / Vee / MXS	Sintered/HH Pads/ Grooved Shoes	Standard Replacement Discs	Contour Disc Universal Left and Right	Vee-Discs Black † See note below	CX Extreme Disc / UTVX Disc	OSX Oversize 250mm or 280mm
Aerox 4	2014-2020	SFA193	SFAC193	SFA193HH	MD923D		VR923	
Aerox 50 All Models 2T	1997-2016	SFA193	SFAC193	SFA193HH	MD923D		VR923	
BA 50	2004-2008	Y531						
BA 50 S/V UA03J	2008	Y531						
BWs	1999-2007	SFA193	SFAC193	SFA193HH	MD923D		VR923	
BWs	1999-2002	SFA193	SFAC193	SFA193HH	MD916D			
BWs 50 1D11/2B71	2003-2004	SFA193	SFAC193	SFA193HH	MD916D			
BWs 50 2B7B/D/F/H	2009-2015	SFA193	SFAC193	SFA193HH	MD916D			
BWs 50 5WW1	2004	SFA193	SFAC193	SFA193HH	MD916D			
BWs 50 5WW1	2005-2015	SFA193	SFAC193	SFA193HH	MD916D			
BWs 50 R 5SX1	2001	SFA193	SFAC193	SFA193HH	MD916D			
BWs CW 50 T Bi-Wizz	1990-1994	Y518						
BWs Easy 2DW	2013-2015	Y530						
CA 50 Salient	1983-1985	Y501						
CG 50 Jog	1988-1992	Y501						
CR-Z 50 3WN	1991-1995	SFA169	SFAC169	SFA169HH	MD904D		VR904	
CS 50 Jog R	2002-2005	SFA193	SFAC193	SFA193HH	MD943D	MD943C	VR943	
CS 50 Jog R	2006-2015	SFA193	SFAC193	SFA193HH	MD943D	MD943C	VR943	
CS 50 Z Jog RR	2003-2005	SFA193	SFAC193	SFA193HH	MD943D	MD943C	VR943	
CS 50 Z Jog RR	2006-2012	SFA193	SFAC193	SFA193HH	MD943D	MD943C	VR943	
CT 50 S 3NT6	1990-1995	Y503						
CT 50 SS 3NTC	1992-1995	Y503						
CV 50 Jog 5KN1/2 Coolstyle	2000-2002	SFA336			MD965D			
CV 50 Jog 5SU2/1/SA/EJ	2003-2008	SFA384			MD965D			
CV 50 ZR Evolution 5PT1	2001-2002	SFA336			MD965D			
CW 50 5MS2/4G54R	2002	SFA193	SFAC193	SFA193HH	MD923D		VR923	
CW 50 5WW4/BWs	2004-2007	SFA193	SFAC193	SFA193HH	MD916D			
CW 50 RS	1996-1997	SFA193	SFAC193	SFA193HH	MD916D			
CW 50 RS	1999	SFA193	SFAC193	SFA193HH	MD923D		VR923	
CW 50 RS	2000	SFA193	SFAC193	SFA193HH	MD923D		VR923	
CW 50 RS	2001-2005	SFA193	SFAC193	SFA193HH	MD923D		VR923	
CW 50 RS 4YA4/BWs NG	1998	SFA193	SFAC193	SFA193HH	MD916D			
CW 50 RSP	1997-1998	SFA193	SFAC193	SFA193HH	MD916D			
CY 50 Jog-in	1991-1995	Y519						
CY 50 RS Jog R	1996	SFA169	SFAC169	SFA169HH	MD904D		VR904	
DT 50 LC	1998	FA119TT		FA119R	MD6158D	MD6158C		
DT 50 MX	1978-1986	Y504		Y504G				
DT 50 MX	1987-1991	Y518		Y518G				
DT 50 MX	1992-1995	Y503		Y503G				
DT 50 R	1997-2001	FA116			MD6214D			
DT 50 R	2002-2008	FA350		FA350HH	MD6297D			
DT 50 R-L SM-5VB1/VG55BK	2002-2003	FA116			MD6214D			
DT 50 X Supermotard	2004-2008	FA194		FA194HH	MD6279D			
EW 50 Slider	2000-2005	SFA268	SFAC268	SFA268HH	MD923D		VR923	
FIZ	1997	SFA275	SFAC275	SFA275HH				
FS1	1987-1990	Y518						
FS1 DX	1979-1980	FA042						
FS1 E	1974-1976	Y504						
FS1 E DX	1977-1979	FA028						
FS1 SE	1981-1982	Y504						
LC 50 M Bop	1980	Y519						
M Towny 50	1982	Y501						
MA 50 M QT 50	1980-1986	Y501						
MS 50	1985-1986	Y501						
NS 50 Aerox	2013-2016	SFA193	SFAC193	SFA193HH	MD923D		VR923	
NS 50 N Aerox Naked	2013-2016	SFA193	SFAC193	SFA193HH	MD923D		VR923	
PW 50	1980-2024	Y501						
RD 50 M	1978	FA028						
RD 50 M	1979-1980	FA042						
RD 50 MX	1981-1987	FA070		FA070V				

Line #
1
2
3
4
5
6
7
8
9
10
11
12
13
14
15
16
17
18
19
20
21
22
23
24
25
26
27
28
29
30
31
32
33
34
35
36
37
38
39
40
41
42
43
44
45
46
47
48
49
50
51
52
53
54
55
56
57
58
59
60

R Suffix = High Durability Sintered Pad. HH Suffix = High Performance Sintered Pad. TT Suffix = Hard Wearing Off Road Pad. V Suffix = Semi Sintered Pad. G Suffix = Grooved Shoe.

D Suffix = Drilled Disc. X Suffix = Universal Left or Right Floating Disc. XC Suffix = Contoured Floating Disc. LS Suffix = Left/Steel Disc. RS = Right/Steel Disc.

*-2 Sets Required. † For Vee disc colours add RED, BLU, GRN, GLD, ORG suffix to part number.

⊗ - Also available as a Vintage Motorcycle Disc. ★ - EPFA available. ⚙ Disc made of Billet steel. ♦ CE solid discs for Enduro use.

JAPANESE Built Motorcycles

Line #	BRAKE DISC CHOICES - FRONT			DISC PAD CHOICES - REAR				BRAKE DISC CHOICES - REAR					
	SMX Oversize 320mm Disc Kit Front Left	Front disc bolt kit	Front Brake Line	FA, SFA, TT Pad or Brake Shoe	SFAC Carbon Scooter Pads	Speciality Pads - SXR / Vee / MXS	Sintered HH/R Pads/ Grooved Shoes	Standard Replacement Disc	Contour Disc Rear Fitment	Vee Discs CONTOUR	CX Extreme MX Race Disc / UTVX Disc	Rear disc bolt kit	Rear Brake Line
1				SFA268	SFAC268		SFA268HH	MD923D		VR923			
2				SFA268	SFAC268		SFA268HH	MD923D		VR923			
3				Y530									
4				Y530									
5				Y503									
6				Y503									
7				Y503									
8				Y530									
9				Y503									
10				Y530									
11				Y503									
12				Y518									
13				Y530									
14				Y519									
15				Y519									
16				Y503									
17				Y503									
18				Y530									
19				Y503									
20				Y530									
21				Y503									
22				Y503									
23				Y530									
24				Y530									
25				Y530									
26				Y503									
27				Y530									
28				Y503									
29				Y503									
30				Y503									
31				Y503									
32				Y503									
33				Y503									
34				Y518									
35				Y503									
36				Y503									
37				Y504			Y504G						
38				Y518			Y518G						
39				Y503			Y503G						
40				Y503									
41				FA350			FA350HH	MD6280D					
42				FA382				MD6286D					
43				FA350			FA350HH	MD6280D					
44				Y503									
45				Y503									
46				Y518									
47				Y504									
48				Y504									
49				Y504									
50				Y504									
51				Y519									
52				Y501									
53				Y501									
54				Y519									
55				SFA268	SFAC268		SFA268HH	MD923D		VR923			
56				SFA268	SFAC268		SFA268HH	MD923D		VR923			
57				Y501									
58				Y504									
59				Y504									
60				Y504									

REAR / ARRIÈRE / HINTEN / POSTERIOR / POSTERIORE

R Suffix = High Durability Sintered Pad. **HH** Suffix = High Performance Sintered Pad. **TT** Suffix = Hard Wearing Off Road Pad. **V** Suffix = Semi Sintered Pad. **G** Suffix = Grooved Shoe.
D Suffix = Drilled Disc. **X** Suffix = Universal Left or Right Floating Disc. **XC** Suffix = Contoured Floating Disc. **LS** Suffix = Left/Steel Disc. **RS** = Right/Steel Disc.

BRAKE APPLICATIONS

*-2 Sets Required. † For Vee disc colours add RED, BLU, GRN, GLD, ORG suffix to part number.

⊙ - Also available as a Vintage Motorcycle Disc. ★ - EPFA available. ⚙ - Disc made of Billet steel. ♦ - CE solid discs for Enduro use.

Part numbers, prefixes, suffixes, photos and illustrations shown in this catalogue are trademarks and/or copyrights of EBC Brakes or the trademark owner A C Freeman Investments Ltd and use without express written permission of the owners is punishable by law.

JAPANESE Built Motorcycles



YAMAHA Contd.



DISC PAD CHOICES - FRONT

BRAKE DISC CHOICES - FRONT

FA, SFA, TT Pad or Brake Shoe	SFAC Carbon Scooter Pads	Speciality Pads - SXR / Vee / MXS	Sintered/HH Pads/ Grooved Shoes	Standard Replacement Discs	Contour Disc Universal Left and Right	Vee-Discs Black † See note below	CX Extreme Disc / UTVX Disc	OSX Oversize 250mm or 280mm
RZ 50 5FC1/2	2002		FA275HH					
SA 50 M/ME Passola	1980-1984		Y501					
T 50 Townmate	1986		Y518					
TT-R 50 E	2006-2024		H301					
TY 50 M	1977-1980		Y504	Y504G				
TZR 50	2003-2016		FA194	FA194HH	MD672LS			
TZR 50 Thunderkid	1997-2000		FA197	FA197HH	MD2067			
V 50 M	1983		Y518					
V 50 M/P	1974-1982		Y504					
XC 50 X Vino Classic SA26J	2008		Y530					
XF 50 Giggle/Vox	2007-2012		Y530					
YA 50 R Axis 4PC	1995-1996	SFA193	SFAC193	SFA193HH	MD904D	VR904		
YA 50 ZA Jog Z 4SC1	1995	SFA169	SFAC169	SFA169HH				
Yamy 50 2T	1986		Y525					
YB-1 50cc 5JE1/3	2001-2002		Y531					
YE 50 Zest	1993-1995	SFA193	SFAC193	SFA193HH	MD904D	VR904		
YFM 50 Raptor	2004-2009		Y503*	Y503G*				
YFZ 50 Quad	2017-2020		H346*					
YH 50 Why	1999-2009	SFA193	SFAC193	SFA193HH	MD928D			
YJ 50 R 5AU1-3 Vino	1998		Y519					
YM 50 Breeze 4KH	1994-1995	SFA193	SFAC193	SFA193HH	MD904D	VR904		
YN 50 Neos	2002-2006	SFA193	SFAC193	SFA193HH	MD943D	MD943C	VR943	
YN 50 Neos	2007-2016	SFA193	SFAC193	SFA193HH	MD943D	MD943C	VR943	
YN 50 Neos	1997-2002	SFA193	SFAC193	SFA193HH	MD943D	MD943C	VR943	
YN 50 Neos Easy	2014-2015		Y530					
YN 50 Neos F	2009-2020	SFA193	SFAC193	SFA193HH	MD943D	MD943C	VR943	
YQ 50 Aerox/Aerox-R	1997-2012	SFA193	SFAC193	SFA193HH	MD923D	VR923		
YSR 50 T	1987		FA101					
YY 50 5BM2 Jog Space Innovation	1997		Y519					
YZ 50	1980-1983		Y502	Y502G				
YF 60 S	1988							
YT 60 Tri Zinger	1983							
YZ 65	2018-2024	FA119TT		FA119R	MD6418D	MD6418C	MD6418CX	
YZ 65 J	2018-2023	FA119TT		FA119R	MD6418D	MD6418C	MD6418CX	
V 70 A	1976		Y504					
V 75 A	1977		Y504					
CV 80 Beluga	1981-1983		Y503					
DT 80 LC 37A	1981-1984		FA081	FA081V				
DT 80 LC-2 53V	1985-1992		FA101TT	FA101R				
DT 80 MX	1981-1983		Y504	Y504G				
DT 80 MX 36N Type/MXS	1983-1985		Y518	Y518G				
LB2/80 Bop 2	1980		Y504					
PW 80	1983-1991		Y502	Y502G				
PW 80	1993-2013		Y502	Y502G				
RD 80	1982		FA070	FA070V				
RD 80	1982		FA081	FA081V				
T 80 Townmate	1983-1997		Y518					
TY 80	1977		Y502	Y502G				
TY 80	1983		Y502	Y502G				
V 80	1979-1982		Y504					
V 80 DL	1983		Y518					
YFM 80 Badger	1992-2001		Y503*	Y503G*				
YFM 80 Grizzly	2005-2008		Y503*	Y503G*				
YFM 80 Raptor	2002-2008		Y503*	Y503G*				
YFM 80 S	1987							
YZ 80	1977-1979		Y502	Y502G				
YZ 80	1980-1985		Y502	Y502G				
YZ 80	1986-1989		FA119TT	FA119R	MD6029D			
YZ 80	1993-2001		FA119TT	FA119R	MD6030D	MD6030C	MD6030CX	OSXY6030
YZ 85 BW	2002-2024		FA119TT	FA119R	MD6030D	MD6030C	MD6030CX	OSXY6030

FRONT / AVANT / VORN / FRENTE / ANTERIORE

Line #

R Suffix = High Durability Sintered Pad. HH Suffix = High Performance Sintered Pad. TT Suffix = Hard Wearing Off Road Pad. V Suffix = Semi Sintered Pad. G Suffix = Grooved Shoe.
D Suffix = Drilled Disc. X Suffix = Universal Left or Right Floating Disc. XC Suffix = Contoured Floating Disc. LS Suffix = Left/Steel Disc. RS = Right/Steel Disc.

*-2 Sets Required. † For Vee disc colours add RED, BLU, GRN, GLD, ORG suffix to part number.

⊗ - Also available as a Vintage Motorcycle Disc. ★ - EPFA available. ⚙ Disc made of Billet steel. ♦ CE solid discs for Enduro use.

JAPANESE Built Motorcycles

BRAKE APPLICATIONS

Line #	BRAKE DISC CHOICES - FRONT			DISC PAD CHOICES - REAR				BRAKE DISC CHOICES - REAR					
	SMX Oversize 320mm Disc Kit Front Left	Front disc bolt kit	Front Brake Line	FA, SFA, TT Pad or Brake Shoe	SFAC Carbon Scooter Pads	Speciality Pads - SXR / Vee / MXS	Sintered HH/R Pads/ Grooved Shoes	Standard Replacement Disc	Contour Disc Rear Fitment	Vee Discs CONTOUR	CX Extreme MX Race Disc / UTVX Disc	Rear disc bolt kit	Rear Brake Line
1				Y503									
2				Y519									
3				Y518									
4				H301									
5				Y504			Y504G						
6				FA115			FA115HH	MD2113					
7		DB201/6		FA101				MD2077					
8				Y518									
9				Y504									
10				Y530									
11				Y530									
12				Y503									
13				Y503									
14				Y525									
15				Y531									
16				Y518									
17				Y527			Y527G						
18				H307									
19				Y503									
20				Y503									
21				Y503									
22				Y503									
23				Y530									
24				Y503									
25				Y530									
26				Y530									
27				SFA268	SFAC268		SFA268HH	MD923D		VR923			
28				Y503									
29				Y503									
30				Y502			Y502G						
31				Y518			Y518G						
32				Y518			Y518G						
33				FA084/3TT		MXS084/3	FA084/3R	MD6419D	MD6419C		MD6419CX		
34				FA084/3TT		MXS084/3	FA084/3R	MD6419D	MD6419C		MD6419CX		
35				Y504									
36				Y504									
37				Y503									
38				Y506									
39				Y506									
40				Y504			Y504G						
41				Y518			Y518G						
42				Y504									
43				Y518			Y518G						
44				Y503			Y503G						
45				Y504									
46				Y504									
47				Y518									
48				Y504			Y504G						
49				Y503			Y503G						
50				Y504									
51				Y518									
52				Y527			Y527G						
53				Y527			Y527G						
54				Y527			Y527G						
55				Y506			Y506G						
56				Y504			Y504G						
57				Y502			Y502G						
58				Y502			Y502G						
59		DB301/4	BLM6102-1F	FA084/3TT		MXS084/3	FA084/3R	MD6031D			MD6031CX		
60		DB301/4	BLM6101-1F	FA084/3TT		MXS084/3	FA084/3R	MD6031D			MD6031CX		

REAR / ARRIÈRE / HINTEN / POSTERIOR / POSTERIORE

R Suffix = High Durability Sintered Pad. **HH** Suffix = High Performance Sintered Pad. **TT** Suffix = Hard Wearing Off Road Pad. **V** Suffix = Semi Sintered Pad. **G** Suffix = Grooved Shoe. **D** Suffix = Drilled Disc. **X** Suffix = Universal Left or Right Floating Disc. **XC** Suffix = Contoured Floating Disc. **LS** Suffix = Left/Steel Disc. **RS** = Right/Steel Disc.

*-2 Sets Required. † For Vee disc colours add RED, BLU, GRN, GLD, ORG suffix to part number.

⊙ - Also available as a Vintage Motorcycle Disc. ★ - EPFA available. Ⓢ Disc made of Billet steel. ◆ CE solid discs for Enduro use.

Part numbers, prefixes, suffixes, photos and illustrations shown in this catalogue are trademarks and/or copyrights of EBC Brakes or the trademark owner A C Freeman Investments Ltd and use without express written permission of the owners is punishable by law.

JAPANESE Built Motorcycles



YAMAHA Contd.



DISC PAD CHOICES - FRONT

BRAKE DISC CHOICES - FRONT

FRONT / AVANT / VORN / FRENTE / ANTERIORE

Line #

Model	Year	FA, SFA, TT Pad or Brake Shoe	SFAC Carbon Scooter Pads	Speciality Pads - SXR / Vee / MXS	Sintered/HH Pads/ Grooved Shoes	Standard Replacement Discs	Contour Disc Universal Left and Right	Vee-Discs Black † See note below	CX Extreme Disc / UTVX Disc	OSX Oversize 250mm or 280mm
YZ 85 SW	2002-2024	FA119TT			FA119R	MD6030D	MD6030C		MD6030CX	OSXY6030
T 90 D	1997-1999	Y530								
T 90 D	2000-2008	Y530								
T 90 N	1994-1999	Y530								
T 90 N	2000-2008	Y530								
TT-R 90	2000-2007	Y502			Y502G					
V 90	1978	Y504								
YFM 90 Raptor	2010-2013	Y536*			Y536G*					
YFM 90 Raptor	2016-2020	H346*			H346G*					
YFM 90 RY Raptor	2009	Y536*			Y536G*					
AG 100 E Farm Bike	1993	Y503			Y503G					
AG 100 J 3HAA	1982	Y503			Y503G					
DT 100	1976-1980	Y504			Y504G					
RS 100 1Y8/Europe	1977-1978	FA028								
RS 100 1Y8/Europe	1980-1982	FA028								
RS 100 1Y8/UK	1977-1978	Y504								
RS 100 1Y9/UK	1979-1981	Y504								
RS 100 478	1975-1976	Y504								
RS 100 DX 1Y8 Europe	1979	FA028								
RT 100	1993-2003	Y503			Y503G					
RXS 100	1983-1997	Y518								
YB 100	1982-1986	Y504								
YB 100	1978-1981	Y504								
YB 100	1987-1992	Y503								
YN 100 Neos	1999-2003	SFA193	SFAC193		SFA193HH	MD943D	MD943C	VR943		
YN 100 Neos	2000-2004	SFA193	SFAC193		SFA193HH	MD923D		VR923		
YW 100 T Booster BWs	1996	SFA169			SFA169HH					
YZ 100 E/F/G/H	1978-1981	Y504			Y504G					
YZ 100 J/K	1982-1983	Y503			Y503G					
T 105 E Crypton	1996	Y518								
T 105 E Crypton-R	1999	SFA275	SFAC275		SFA275HH	MD963D				
T 105 SE Crypton SER3	2002	SFA275	SFAC275		SFA275HH	MD963D				
Alba 106	2008	Y503								
Crux 106	2008	Y503								
Libero 106	2008	Y503								
Crypton 110	2004	SFA197	SFAC197		SFA197HH					
TT-R 110 E	2008-2024	Y502			Y502G					
V 110 Sparty	1996	SFA275	SFAC275		SFA275HH	MD963D				
MIO 113cc	2005-2007	SFA336								
MIO Sparty 113cc	2005-2007	SFA336								
Nouvo-Z 113cc	2006-2007	SFA336								
AT 115 Neo Brasil	2005-2007	SFA275	SFAC275			MD963D				
AT 115 Neo CVT Brasil	2008	SFA275	SFAC275			MD963D				
Crypton S 115	2018-2019	SFA275	SFAC275							
RX 115 5FS3	1999	FA081		FA081V						
XC 115 S D'elight	2014-2016	SFA464	SFAC464							
AS3 125	1971-1972	Y522								
BL 125 Beluga	1985	Y521								
D'elight LTS 125	2017-2024	SFA694	SFAC694		SFA694HH					
DT 125 3TT4	1996	Y527			Y527G					
DT 125 Chesterfield Scout	1989-1990	FA166								
DT 125 E/MX/LC	1974-1985	Y506			Y506G					
DT 125 LC	1986-1987	FA101TT		MXS101	FA101R	MD6067D				
DT 125 R	1988-2003	FA101TT		MXS101	FA101R	MD6039D				
DT 125 RE	2004	FA101TT		MXS101	FA101R	MD6039D				
DT 125 RE	2005-2007	FA101TT		MXS101	FA101R	MD6039D				
DT 125 X	2005-2006	FA209/2			FA209/2HH★	MD6235D				
DT-Z 125 Tenere	1989-1990	FA166								
GT 125 Hammerhead	2012-2018	FA181TT				MD6158D	MD6158C			
IT 125	1980-1982	Y504			Y504G					

*-2 Sets Required. † For Vee disc colours add RED, BLU, GRN, GLD, ORG suffix to part number.

⊗ - Also available as a Vintage Motorcycle Disc. ★ - EPFA available. ⚙ Disc made of Billet steel. ♦ CE solid discs for Enduro use.

JAPANESE Built Motorcycles

Line #	BRAKE DISC CHOICES - FRONT			DISC PAD CHOICES - REAR				BRAKE DISC CHOICES - REAR					
	SMX Oversize 320mm Disc Kit Front Left	Front disc bolt kit	Front Brake Line	FA, SFA, TT Pad or Brake Shoe	SFAC Carbon Scooter Pads	Speciality Pads - SXR / Vee / MXS	Sintered HH/R Pads/ Grooved Shoes	Standard Replacement Disc	Contour Disc Rear Fitment	Vee Discs CONTOUR	CX Extreme MX Race Disc / UTVX Disc	Rear disc bolt kit	Rear Brake Line
1		DB301/4	BLM6101-1F	FA084/3TT		MXS084/3	FA084/3R	MD6031D			MD6031CX		
2				Y530									
3				Y530									
4				Y530									
5				Y530									
6				Y503			Y503G						
7				Y504									
8				FA067TT			FA067R	MD6282D					
9				H307*			H307G*						
10				FA083TT			FA083R	MD6282D					
11				Y527			Y527G						
12				Y527			Y527G						
13				Y506			Y506G						
14				Y504									
15				Y504									
16				Y504									
17				Y504									
18				Y504									
19				Y504									
20				Y503			Y503G						
21				Y518									
22				Y503									
23				Y504									
24				Y503									
25				Y527									
26				Y527									
27				Y527									
28				Y506			Y506G						
29				Y506			Y506G						
30				Y518									
31				Y518									
32				Y518									
33				Y503									
34				Y503									
35				Y503									
36				Y518									
37				Y503			Y503G						
38				Y518									
39													
40													
41													
42				Y531									
43				Y531									
44				Y531									
45				Y518									
46				Y531									
47				Y506									
48				Y506									
49				Y531									
50				Y527			Y527G						
51				FA157									
52				Y506			Y506G						
53				Y506			Y506G						
54				FA101TT		MXS101	FA101R	MD6115D					
55				FA101TT		MXS101	FA101R	MD6115D					
56				FA152TT		MXS152	FA152R	MD6121D					
57				FA152TT		MXS152	FA152R	MD6121D					
58				FA157									
59				FA152TT		MXS152	FA152R	MD6011D					
60				Y506			Y506G						

REAR / ARRIÈRE / HINTEN / POSTERIOR / POSTERIORE

R Suffix = High Durability Sintered Pad. **HH** Suffix = High Performance Sintered Pad. **TT** Suffix = Hard Wearing Off Road Pad. **V** Suffix = Semi Sintered Pad. **G** Suffix = Grooved Shoe.
D Suffix = Drilled Disc. **X** Suffix = Universal Left or Right Floating Disc. **XC** Suffix = Contoured Floating Disc. **LS** Suffix = Left/Steel Disc. **RS** = Right/Steel Disc.

*-2 Sets Required. † For Vee disc colours add RED, BLU, GRN, GLD, ORG suffix to part number.

⊗ - Also available as a Vintage Motorcycle Disc. ★ - EPFA available. Ⓢ Disc made of Billet steel. ◆ CE solid discs for Enduro use.

Part numbers, prefixes, suffixes, photos and illustrations shown in this catalogue are trademarks and/or copyrights of EBC Brakes or the trademark owner A C Freeman Investments Ltd and use without express written permission of the owners is punishable by law.

JAPANESE Built Motorcycles



YAMAHA Contd.



DISC PAD CHOICES - FRONT

BRAKE DISC CHOICES - FRONT

R Suffix = High Durability Sintered Pad. **HH** Suffix = High Performance Sintered Pad. **TT** Suffix = Hard Wearing Off Road Pad. **V** Suffix = Semi Sintered Pad. **G** Suffix = Grooved Shoe.
D Suffix = Drilled Disc. **X** Suffix = Universal Left or Right Floating Disc. **XC** Suffix = Contoured Floating Disc. **LS** Suffix = Left/Steel Disc. **RS** = Right/Steel Disc.

FRONT / AVANT / VORN / FRENTE / ANTERIORE

Model	Year	FA, SFA, TT Pad or Brake Shoe	SFAC Carbon Scooter Pads	Speciality Pads - SXR / Vee / MXS	Sintered/HH Pads/ Grooved Shoes	Standard Replacement Discs	Contour Disc Universal Left and Right	Vee-Discs Black † See note below	CX Extreme Disc / UTVX Disc	OSX Oversize 250mm or 280mm	Line #
MT 125	2014-2019	FA432			FA432HH	MD2121X					1
MT 125	2020-2022	FA432			FA432HH	MD2121X					2
NCX 125 K Cygnus X	2007-2010	SFA632				MD9133D		VR9133			3
NCX 125 L Cygnus X Inj	2007-2010	SFA632				MD9133D		VR9133			4
N-Max 125 GPD 125-A	2015-2024	SFA694	SFAC694		SFA694HH	MD9156D					5
RAYZR LCG 125	2024	SFA694	SFAC694		SFA694HH						6
RD 125	1973-1974	Y522									7
RD 125 DX	1975-1977	FA028									8
RD 125 DX	1978-1981	FA042									9
RD 125 LC	1982-1984	FA081									10
RD 125 LC MK2/3	1985-1987	FA104			FA104HH	MD2053RS					11
RS 125	1975	Y510									12
RS 125 DX	1976-1980	FA028									13
RS 125 DX	1981	FA042									14
RZ 125 1GV	1985	FA104			FA104HH	MD2053RS					15
SR 125	1997-2003	FA199			FA199HH	MD2085LS					16
SR 125 3MW2 Type	1989-1991	Y506									17
SR 125 SE	1982	Y506									18
SR 125 SE	1992-1996	FA081									19
TDR 125 3HS1/3XD0/3SH3/3XD1	1989-1993	FA134				MD2003X	MD2003XC	VR2003BLK†			20
TDR 125 4GW/GX	1993-2003	FA199			FA199HH	MD6116D					21
TDR 125 R Lightburner	1993-1994	FA134				MD2003X	MD2003XC	VR2003BLK†			22
Tricity 125	Left 2014-2024	SFA652				MD9146D*					23
	Right 2014-2024	SFA655									24
TT-R 125	2000-2009	Y503			Y503G						25
TT-R 125 LW	2000-2024	FA119TT			FA119R	MD6158D	MD6158C				26
TW 125 5EK	1999-2002	FA275TT			FA275HH	MD6067D					27
TW 125 5RS	2003-2004	FA275TT			FA275HH	MD6067D					28
TY 125	1982	Y504			Y504G						29
TZR 125 2RK/3PC1	1987-1989	FA104			FA104HH	MD2053RS					30
TZR 125 3JB/4JB/4HW/4HX	1993-1995	FA252			FA252HH★	MD2022RS					31
TZR 125 3PC2/3PC3	1990-1992	FA088			FA088HH★	MD2056RS					32
TZR 125 R 4DL1/4DL2	1991-1993	FA095			FA095HH★	MD2003X	MD2003XC	VR2003BLK†			33
TZR 125 RR 4DL3	1994-1995	FA095			FA095HH★	MD2003X	MD2003XC	VR2003BLK†			34
VP 125 X-City 16P	2008-2015	SFA196	SFAC196		SFA196HH	MD9130D					35
WR 125 R	2009-2015	FA142			FA142HH		MD6347C				36
WR 125 X Supermoto	2009-2018	FA142			FA142HH	MD6235D					37
XC 125 Beluga	1992	Y521									38
XC 125 Beluga	1993-1995	Y521									39
XC 125 Cygnus X 4P91	2007-2013	SFA393	SFAC393			MD9133D		VR9133			40
XC 125 Cygnus X 5 ML	2004-2007	SFA393	SFAC393			MD986D		VR986			41
XC 125 R Majesty S	2014-2015	SFA142	SFAC142		SFA142HH	MD9145D		VR9145BLK			42
XC 125 T Cygnus	1995-1998	Y527									43
XC 125 TR Cygnus	1996-2003	SFA101	SFAC101		SFA101HH						44
XC 125E E Vity 4P72	2008-2013	SFA464	SFAC464			MD9127D		VR9127			45
Xenter 125	2012-2020	SFA492	SFAC492			MD9154D					46
X-Max 125	2010-2015	SFA196	SFAC196		SFA196HH	MD9102D		VR9102			47
X-Max 125	2011-2017	SFA196	SFAC196		SFA196HH	MD9102D		VR9102			48
X-Max 125	2018-2024	SFA705	SFAC705		SFA705HH	MD9169D					49
X-Max 125 2DM	2014-2016	SFA196	SFAC196		SFA196HH	MD9102D					50
X-Max 125 2DM	2014	SFA196	SFAC196		SFA196HH	MD9102D					51
X-Max 125 Momo Design	2015	SFA196	SFAC196		SFA196HH	MD9102D					52
X-Max 125 R	2006-2009	SFA430	SFAC430		SFA430HH	MD9102D		VR9102			53
X-Max 125 R Business	2011	SFA196	SFAC196		SFA196HH	MD9102D		VR9102			54
X-Max 125 R Sport	2011-2012	SFA196	SFAC196		SFA196HH	MD9102D		VR9102			55
X-Max 125 Tech Max	2019-2024	SFA705	SFAC705		SFA705HH	MD9169D					56
XN 125 N Teos	2000-2003	SFA193	SFAC193		SFA193HH	MD907D		VR907			57
XP 125 RA X-Max Iron-Max	2016	SFA196	SFAC196		SFA196HH	MD9102D					58
XQ 125 N Maxster	2001-2003										59
XSR 125	2021-2022	FA464				TBC					60

*-2 Sets Required. † For Vee disc colours add RED, BLU, GRN, GLD, ORG suffix to part number.

⊗ - Also available as a Vintage Motorcycle Disc. ★ - EPFA available. ⚙ - Disc made of Billet steel. ♦ - CE solid discs for Enduro use.

JAPANESE Built Motorcycles

BRAKE APPLICATIONS

Line #	BRAKE DISC CHOICES - FRONT			DISC PAD CHOICES - REAR				BRAKE DISC CHOICES - REAR					
	SMX Oversize 320mm Disc Kit Front Left	Front disc bolt kit	Front Brake Line	FA, SFA, TT Pad or Brake Shoe	SFAC Carbon Scooter Pads	Speciality Pads - SXR / Vee / MXS	Sintered HH/R Pads/ Grooved Shoes	Standard Replacement Disc	Contour Disc Rear Fitment	Vee Discs CONTOUR	CX Extreme MX Race Disc / UTVX Disc	Rear disc bolt kit	Rear Brake Line
1				FA377		FA377V	FA377HH★	MD2122					
2				FA152TT			FA152R	MD2123	MD2123C	VR2123			
3				Y533									
4				Y533									
5				SFA464				MD9157D					
6				Y531									
7				Y506									
8				Y506									
9				Y510									
10				Y506									
11				Y506									
12				Y506									
13				Y506									
14				Y506									
15				Y506									
16				Y503									
17				Y503									
18				Y503									
19				Y518									
20		DB201/6		FA173									
21			BLM2072-1F	FA101TT				MD6115D					
22		DB201/6		FA047				MD2021	MD2021C	VR2021			
23				SFA343				MD9147D					
24													
25				Y503			Y503G						
26				Y503			Y503G						
27				Y503			Y503G						
28				Y531									
29				Y506			Y506G						
30			BLM2079-1F	Y506									
31				FA104			FA104HH	MD2021					
32			BLM2079-1F	FA104			FA104HH	MD2021					
33				FA047			FA047HH	MD2021	MD2021C	VR2021			
34			BLM2079-1F	FA047			FA047HH	MD2021	MD2021C	VR2021			
35				SFA266	SFAC266		SFA266HH	MD9104D					
36				FA213			FA213HH★		MD6121C				
37				FA213			FA213HH★	MD6121D					
38				Y506									
39				Y527									
40				Y533									
41				Y533									
42				SFA213			SFA213HH			VR9133BLK			
43				Y503									
44				Y503									
45				Y530									
46				Y533									
47				SFA266	SFAC266		SFA266HH	MD9104D		VR9104			
48				SFA275	SFAC275		SFA275HH	MD9108D					
49				SFA706	SFAC706		SFA706HH	MD9168D					
50				SFA266	SFAC266		SFA266HH	MD9153D					
51				SFA678	SFAC678		SFA678HH	MD9153D					
52				SFA275	SFAC275		SFA275HH	MD9108D					
53				SFA266	SFAC266		SFA266HH	MD9104D		VR9104			
54				SFA275	SFAC275		SFA275HH	MD9108D					
55				SFA266	SFAC266		SFA266HH	MD9104D		VR9104			
56				SFA706	SFAC706		SFA706HH	MD9168D					
57				Y527									
58				SFA275	SFAC275		SFA275HH	MD9108D					
59													
60				FA152TT			FA152R	MD2123					

REAR / ARRIÈRE / HINTEN / POSTERIOR / POSTERIORE

R Suffix = High Durability Sintered Pad. **HH** Suffix = High Performance Sintered Pad. **TT** Suffix = Hard Wearing Off Road Pad. **V** Suffix = Semi Sintered Pad. **G** Suffix = Grooved Shoe. **D** Suffix = Drilled Disc. **X** Suffix = Universal Left or Right Floating Disc. **XC** Suffix = Contoured Floating Disc. **LS** Suffix = Left/Steel Disc. **RS** = Right/Steel Disc.

*-2 Sets Required. † For Vee disc colours add RED, BLU, GRN, GLD, ORG suffix to part number.

⊙ - Also available as a Vintage Motorcycle Disc. ★ - EPFA available. ⚙ Disc made of Billet steel. ♦ CE solid discs for Enduro use.

Part numbers, prefixes, suffixes, photos and illustrations shown in this catalogue are trademarks and/or copyrights of EBC Brakes or the trademark owner A C Freeman Investments Ltd and use without express written permission of the owners is punishable by law.

JAPANESE Built Motorcycles



YAMAHA Contd.



DISC PAD CHOICES - FRONT

BRAKE DISC CHOICES - FRONT

FA, SFA, TT Pad or Brake Shoe	SFAC Carbon Scooter Pads	Speciality Pads - SXR / Vee / MXS	Sintered/HH Pads/ Grooved Shoes	Standard Replacement Discs	Contour Disc Universal Left and Right	Vee-Discs Black † See note below	CX Extreme Disc / UTVX Disc	OSX Oversize 250mm or 280mm
XT 125			Y506G					
XT 125 R 13D1			FA350	FA350HH	MD6297D			
XT 125 R 13D3/13D5			FA350	FA350HH	MD6297D			
XT 125 R 3D61/3D63			FA350	FA350HH	MD6297D			
XT 125 X 13D2			FA194	FA194HH	MD6279D			
XT 125 X 13D4/13D6			FA194	FA194HH	MD6279D			
XT 125 X 3D62/3D64			FA194	FA194HH	MD6279D			
XTZ 125 5RM			FA135TT	FA135R	MD6067D			
XV 125 Virago			FA199	FA199HH	MD2067			
XVS 125 Dragstar			FA199	FA199HH	MD2067			
YBA 125 Enticer 3P01/3P41			SFA181	SFAC181	SFA181HH			
YBR 125 3D92/9			FA464		MD2104RS			
YBR 125 51D1/2			FA464		MD2104RS			
YBR 125 Custom			FA464		MD2104RS			
YBR 125 E/K 5HH Brasil			Y527					
YBR 125 ED 3D91			FA101		MD2097RS			
YBR 125 ED 5HHB/F/H Brasil			FA228	FA228HH				
YFA1 Breeze 125			Y503*	Y503G*				
YFA1 Breeze 125			Y503*	Y503G*				
YFM 125 Grizzly			Y503*	Y503G*				
YP 125 Majesty			SFA181	SFAC181	SFA181HH	MD907D	VR907	
YP 125 Majesty			SFA181	SFAC181	SFA181HH	MD907D	VR907	
YP 125 Majesty			SFA181	SFAC181	SFA181HH	MD907D	VR907	
YP 125 Majesty FA SCA9 Taiwan Prod			SFA196	SFAC196	SFA196HH	MD979D		
YS 125			FA464		MD2104RS			
YW 125 BWs 125/1CE1			SFA492	SFAC492	MD986D		VR986	
YW 125 G Zuma			SFA196	SFAC196			VR9133	
YW 125 X 1DN1/2			SFA632				VR9133	
YZ 125			Y507	Y507G				
YZ 125			FA135TT	MXS135	FA135R	MD6028D	MD6028CX	OSX6028E
YZ 125			FA185TT	MXS185	FA185R	MD6028D	MD6028CX	OSX6028
YZ 125			FA185TT	MXS185	FA185R	MD6356D	MD6356C	MD6356CX
YZ 125			FA450TT	MXS450	FA450R	MD6356C	MD6356CX	OSX6728
YZ 125			FA450TT	MXS450	FA450R	MD6392C	MD6392CX	OSX6392
YZ 125			FA755TT	MXS755	FA755R	MD6392C	MD6392CX	OSX6392
YZ 125 K			Y507	Y507G				
YZ 125 L			Y508	Y508G				
YZ 125 Monster Energy			FA755TT	MXS755	FA755R	MD6392C	MD6392CX	OSX6392
YZ 125			FA105TT		FA105R	MD6324D		
YZ 125 N			FA185TT	MXS185	FA185R	MD6356D	MD6356C	MD6356CX
YZ 125 P			FA185TT	MXS185	FA185R	MD6356D	MD6356C	MD6356CX
YZ 125 S			FA105TT		FA105R	MD6067D		
YZ 125 T			FA105TT		FA105R	MD6067D		
YZ 125 U			FA105TT		FA105R	MD6039D		
YZ 125 W			FA135TT	MXS135	FA135R	MD6016D		
YZ 125 X			FA450TT	MXS450	FA450R	MD6392C	MD6392CX	OSX6392
YZF-R 125			FA181TT		FA181HH	MD2110LS		
YZF-R 125			FA432		FA432HH	MD2121X		
YZF-R 125			FA432		FA432HH	MD2121X		
YZF-R 125 A			FA432		FA432HH	MD2121X		
YZF-R 125 Monster Energy MotoGP Edition			FA432		FA432HH	MD2121X		
RX 135 13X			FA081	FA081V				
T135 HC/S 2S61 Crypton X/Jupiter								
MX 135			SFA464	SFAC464		MD963D		
T135 HC/S 2S61 Spark								
135/Exciter/135LC Sniper			SFA464	SFAC464		MD963D		
T135 SE 1S71 Crypton X/Jupiter MX								
Auto clutch			SFA464	SFAC464		MD963D		
T135 SE 1S71 Spark Exciter/LC								
Sniper Auto clutch			SFA464	SFAC464		MD963D		

FRONT / AVANT / VORN / FRENTE / ANTERIORE

Line #
1
2
3
4
5
6
7
8
9
10
11
12
13
14
15
16
17
18
19
20
21
22
23
24
25
26
27
28
29
30
31
32
33
34
35
36
37
38
39
40
41
42
43
44
45
46
47
48
49
50
51
52
53
54
55
56
57
58
59
60

R Suffix = High Durability Sintered Pad. HH Suffix = High Performance Sintered Pad. TT Suffix = Hard Wearing Off Road Pad. V Suffix = Semi Sintered Pad. G Suffix = Grooved Shoe.
D Suffix = Drilled Disc. X Suffix = Universal Left or Right Floating Disc. XC Suffix = Contoured Floating Disc. LS Suffix = Left/Steel Disc. RS = Right/Steel Disc.

*-2 Sets Required. † For Vee disc colours add RED, BLU, GRN, GLD, ORG suffix to part number.

⊗ - Also available as a Vintage Motorcycle Disc. ★ - EPFA available. ⚙ Disc made of Billet steel. ♦ CE solid discs for Enduro use.

JAPANESE Built Motorcycles

**BRAKE
APPLICATIONS**

Line #	BRAKE DISC CHOICES - FRONT			DISC PAD CHOICES - REAR				BRAKE DISC CHOICES - REAR					
	SMX Oversize 320mm Disc Kit Front Left	Front disc bolt kit	Front Brake Line	FA, SFA, TT Pad or Brake Shoe	SFAC Carbon Scooter Pads	Speciality Pads - SXR / Vee / MXS	Sintered HH/R Pads/ Grooved Shoes	Standard Replacement Disc	Contour Disc Rear Fitment	Vee Discs CONTOUR	CX Extreme MX Race Disc / UTVX Disc	Rear disc bolt kit	Rear Brake Line
1				Y503			Y503G						
2				FA350			FA350HH	MD6280D					
3				FA350			FA350HH	MD6280D					
4				FA350			FA350HH	MD6280D					
5				FA350			FA350HH	MD6280D					
6				FA350			FA350HH	MD6280D					
7				FA350			FA350HH	MD6280D					
8				Y527			Y527G						
9		DB201/6		Y527									
10		DB201/6		Y527									
11				Y506									
12				Y535									
13				Y535									
14				Y535									
15				Y527									
16				Y527									
17				Y527									
18				Y506			Y506G						
19				Y527			Y527G						
20				Y527			Y527G						
21				Y527									
22				SFA266	SFAC266		SFA266HH	MD962D		VR962			
23				SFA266	SFAC266		SFA266HH	MD962D		VR962			
24				Y527									
25				Y535									
26				Y533									
27				SFA213				MD9150D					
28				Y533									
29				Y506			Y506G						
30				FA152/2TT		MXS152/2	FA152/2R	MD6011D					
31	SMX6028			FA131TT		MXS131	FA131R	MD6135D	MD6135C		MD6135CX	◆	
32	SMX6028		BLM6094-1F	FA367TT		MXS367	FA367R	MD6190D			MD6190CX	◆	
33	SMX6728		BLM6092-1F	FA367TT		MXS367	FA367R				MD6190CX	◆	
34				FA367TT		MXS367	FA367R				MD6190CX	◆	
35				FA367TT		MXS367	FA367R		MD6135C		MD6135CX	◆	
36				Y517			Y517G						
37				Y517			Y517G						
38				FA367TT		MXS367	FA367R		MD6135C		MD6135CX	◆	
39				Y517			Y517G						
40	SMX6028		BLM6093-1F	FA131TT		MXS131	FA131R	MD6135D	MD6135C		MD6135CX	◆	
41	SMX6028			FA131TT		MXS131	FA131R	MD6190D			MD6190CX	◆	
42				Y517			Y517G						
43				Y506			Y506G						
44				FA101TT		MXS101	FA101R	MD6011D					
45						MXS084/3	FA084/3R	MD6011D					
46				FA367TT		MXS367	FA367R				MD6190CX	◆	
47			BLM2146-1F	FA377		FA377V	FA377HH★	MD2111					
48				FA377		FA377V	FA377HH★	MD2122					
49				FA152TT			FA152R	MD2123		VR2123			
50				FA377		FA377V	FA377HH★	MD2122					
51				FA152TT			FA152R	MD2122					
52				Y506									
53													
54				Y531									
55													
56				Y531									
57													
58				Y531									
59													
60				Y531									

REAR / ARRIÈRE / HINTEN / POSTERIOR / POSTERIORE

R Suffix = High Durability Sintered Pad. **HH** Suffix = High Performance Sintered Pad. **TT** Suffix = Hard Wearing Off Road Pad. **V** Suffix = Semi Sintered Pad. **G** Suffix = Grooved Shoe. **D** Suffix = Drilled Disc. **X** Suffix = Universal Left or Right Floating Disc. **XC** Suffix = Contoured Floating Disc. **LS** Suffix = Left/Steel Disc. **RS** = Right/Steel Disc.

*-2 Sets Required. † For Vee disc colours add RED, BLU, GRN, GLD, ORG suffix to part number.

⊙ - Also available as a Vintage Motorcycle Disc. ★ - EPFA available. ⊕ Disc made of Billet steel. ◆ CE solid discs for Enduro use.

Part numbers, prefixes, suffixes, photos and illustrations shown in this catalogue are trademarks and/or copyrights of EBC Brakes or the trademark owner A C Freeman Investments Ltd and use without express written permission of the owners is punishable by law.

JAPANESE Built Motorcycles



YAMAHA Contd.



DISC PAD CHOICES - FRONT

BRAKE DISC CHOICES - FRONT

FRONT / AVANT / VORN / FRENTE / ANTERIORE

Model	Year	FA, SFA, TT Pad or Brake Shoe	SFAC Carbon Scooter Pads	Speciality Pads - SXR / Vee / MXS	Sintered/HH Pads/ Grooved Shoes	Standard Replacement Discs	Contour Disc Universal Left and Right	Vee-Discs Black † See note below	CX Extreme Disc / UTVX Disc	OSX Oversize 250mm or 280mm	Line #
N-Max 150	2015-2017	SFA694	SFAC694		SFA694HH	MD9156D					1
Tricity 150	2016	SFA652				MD9146D*					2
	Left										3
	Right	SFA655									4
TZR 150 R 4AP2	2000	FA199			FA199HH						5
Xenter 150 HW	2012-2016	SFA492	SFAC492			MD9154D					6
XQ 125/150 N Maxster	2001-2003	SFA181	SFAC181		SFA181HH	MD957D		VR957			7
N-Max GDP 155-A	2019-2024	SFA694	SFAC694		SFA694HH	MD9156D					8
Tricity 155	2018-2024	SFA652				MD9146D*					9
	Left										10
	Right	SFA655									11
XC 155 S-MAX	2015-2016	SFA196	SFAC196		SFA196HH	MD9145D		VR9145BLK			12
YZF-R 15 155cc	2013-2020	FA464									13
DT 175 3TS4	1996	Y527			Y527G						14
DT 175 All models	1974-1983	Y506			Y506G						15
IT 175	1980-1982	Y507			Y507G						16
TY 175	1977-1980	Y504			Y504G						17
XC 180 Riva Scooter	1983-1985	Y521									18
AG 200 3GX6	1993	Y503			Y503G						19
DT 200 2LR	1987	FA101TT		MXS101	FA101R	MD6067D					20
DT 200 R	1993	FA101TT		MXS101	FA101R	MD6039D					21
DT 200 WR 3XP	1992-1993	FA135TT		MXS135	FA135R	MD6066D					22
IT 200 L	1984	Y517			Y517G						23
RD 200 DX	1975-1978	FA028									24
RD 200 DX	1978-1980	FA042									25
RS 200	1979	Y510									26
SDR 200 2TV	1987-1989	FA104		FA104V	FA104HH	MD2056RS					27
TW 200	1991-1998	FA275TT			FA275HH	MD6067D					28
TW 200	1998-2001	FA275TT			FA275HH	MD6067D					29
WR 200 D/E/F	1992-1994	FA135TT		MXS135	FA135R	MD6066D					30
XC 200 Riva Scooter	1987-1991	Y521									31
YFM 200	1989-1990	Y503*			Y503G*						32
YFM 200 N	1985	Y503*			Y503G*						33
YFS 200 Blaster	1991-2002	Y503*			Y503G*						34
YFS 200 Blaster	2003-2006	FA054TT*			FA054R*	MD6054D*					35
YTM 200 EL/DX	1989	Y503			Y503G						36
ST 225 5BT Bronco	1997	FA275TT			FA275HH	MD6067D					37
TDM 225	2005										38
TW 225 E 5VC1/2	2002-2003	FA275TT			FA275HH	MD6067D					39
XT 225 Serrow	1986-1993	FA101TT		MXS101	FA101R	MD6067D					40
XT 225 Serrow	1993-1996	FA101TT		MXS101	FA101R	MD6067D					41
XT 225 Serrow	1997-1998	FA275TT			FA275HH	MD6067D					42
XT 225 Serrow Brasil	1997-2006	FA101TT		MXS101	FA101R	MD6067D					43
YFM 225 S/T/U	1986-1989	Y503*			Y503G*						44
YTM 225 DRN	1985	Y503			Y503G						45
DT 230 Lanza	1997-1998	FA135TT		MXS135	FA135R	MD6066D					46
Pro Hauler Pro 4 230cc	1989	Y528*			Y528G*						47
TT-R 230	2023-2024	FA135TT		MXS135	FA135R	MD6066D					48
YFU1W/YFU1-T 230cc	1989-1990	Y528*			Y528G*						49
CP 250 Maxam/Morphus	2005-2008	SFA199	SFAC199		SFA199HH	MD9107D					50
DT 250 All Models	1975-1980	Y528			Y528G						51
FZR 250	1987	FA123			FA123HH	MD2003X	MD2003XC	VR2003BLK†			52
FZR 250 R 3LN	1990	FA220*				MD2022LS					53
	Left										54
	Right					MD2022RS					55
FZS 25	2019-2021	FA464									56
FZX 250 3YX Zeal	1991-1992	FA179		FA179V	FA179HH						57
IT 250	1980	Y507			Y507G						58
IT 250	1981-1982	Y507			Y507G						59
IT 250 L	1984	Y508			Y508G						60
RD 250 A	1973-1974	Y513									
RD 250 B/C	1975-1976	FA011									
RD 250 D	1977	FA011									

*-2 Sets Required. † For Vee disc colours add RED, BLU, GRN, GLD, ORG suffix to part number.

⊗ - Also available as a Vintage Motorcycle Disc. ★ - EPFA available. ⚙ Disc made of Billet steel. ♦ CE solid discs for Enduro use.

JAPANESE Built Motorcycles

Line #	BRAKE DISC CHOICES - FRONT			DISC PAD CHOICES - REAR				BRAKE DISC CHOICES - REAR					
	SMX Oversize 320mm Disc Kit Front Left	Front disc bolt kit	Front Brake Line	FA, SFA, TT Pad or Brake Shoe	SFAC Carbon Scooter Pads	Speciality Pads - SXR / Vee / MXS	Sintered HH/R Pads/ Grooved Shoes	Standard Replacement Disc	Contour Disc Rear Fitment	Vee Discs CONTOUR	CX Extreme MX Race Disc / UTVX Disc	Rear disc bolt kit	Rear Brake Line
1				SFA464	SFAC464			MD9157D					
2				SFA464	SFAC464			MD9157D					
3													
4				FA104		FA104V	FA104HH	MD2021					
5				Y533									
6				SFA266	SFAC266		SFA266HH	MD958D		VR958			
7				SFA464	SFAC464			MD9157D					
8				SFA464	SFAC464			MD9157D					
9													
10				SFA213			SFA213HH	MD9133D		VR9133BLK			
11				FA152TT			FA152R						
12				Y527			Y527G						
13				Y506			Y506G						
14				Y506			Y506G						
15				Y506			Y506G						
16				Y537									
17				Y527			Y527G						
18				Y506			Y506G						
19				FA101TT		MXS101	FA101R	MD6115D					
20				FA152/2TT		MXS152/2	FA152/2R	MD6121D					
21				Y517			Y517G						
22				Y510									
23				Y510									
24				Y510									
25				FA104		FA104V	FA104HH	MD2021					
26				Y503			Y503G						
27				Y503			Y503G						
28				FA152TT		MXS152	FA152R	MD6121D					
29				Y537									
30				FA021			FA021R						
31				FA021			FA021R						
32				FA155			FA155R	MD6050D					
33				FA084TT			FA084R	MD6237D					
34				FA021			FA021R						
35				Y503			Y503G						
36													
37				Y531									
38				Y503			Y503G						
39				FA152/2TT		MXS152/2	FA152/2R	MD6244D					
40				FA152/2TT		MXS152/2	FA152/2R	MD6244D					
41				Y527									
42				FA021			FA021R						
43				FA021			FA021R						
44				FA152/2TT		MXS152/2	FA152/2R	MD6121D					
45				Y523*			Y523G*						
46				Y527									
47				Y523*			Y523G*						
48				SFA408	SFAC408		SFA408HH	MD9108D					
49				Y510			Y510G						
50				FA104		FA104V	FA104HH	MD2021	MD2021C	VR2021			
51				FA104		FA104V	FA104HH	MD2021					
52													
53				SFA181	SFAC181								
54				FA104		FA104V	FA104HH	MD2021					
55				Y528			Y528G						
56				Y510			Y510G						
57				Y510			Y510G						
58				Y514									
59				Y514									
60				FA011									

REAR / ARRIÈRE / HINTEN / POSTERIOR / POSTERIORE

R Suffix = High Durability Sintered Pad. **HH** Suffix = High Performance Sintered Pad. **TT** Suffix = Hard Wearing Off Road Pad. **V** Suffix = Semi Sintered Pad. **G** Suffix = Grooved Shoe.
D Suffix = Drilled Disc. **X** Suffix = Universal Left or Right Floating Disc. **XC** Suffix = Contoured Floating Disc. **LS** Suffix = Left/Steel Disc. **RS** = Right/Steel Disc.

*-2 Sets Required. † For Vee disc colours add RED, BLU, GRN, GLD, ORG suffix to part number.

⊙ - Also available as a Vintage Motorcycle Disc. ★ - EPFA available. Ⓢ Disc made of Billet steel. ◆ CE solid discs for Enduro use.

Part numbers, prefixes, suffixes, photos and illustrations shown in this catalogue are trademarks and/or copyrights of EBC Brakes or the trademark owner A C Freeman Investments Ltd and use without express written permission of the owners is punishable by law.

JAPANESE Built Motorcycles



YAMAHA Contd.



DISC PAD CHOICES - FRONT

BRAKE DISC CHOICES - FRONT

R Suffix = High Durability Sintered Pad. **HH** Suffix = High Performance Sintered Pad. **TT** Suffix = Hard Wearing Off Road Pad. **V** Suffix = Semi Sintered Pad. **G** Suffix = Grooved Shoe.
D Suffix = Drilled Disc. **X** Suffix = Universal Left or Right Floating Disc. **XC** Suffix = Contoured Floating Disc. **LS** Suffix = Left/Steel Disc. **RS** = Right/Steel Disc.

Model	Year	DISC PAD CHOICES - FRONT				BRAKE DISC CHOICES - FRONT					Line #
		FA, SFA, TT Pad or Brake Shoe	SFAC Carbon Scooter Pads	Speciality Pads - SXR / Vee / MXS	Sintered/ HH Pads/ Grooved Shoes	Standard Replacement Discs	Contour Disc Universal Left and Right	Vee-Discs Black † See note below	CX Extreme Disc / UTVX Disc	OSX Oversize 250mm or 280mm	
RD 250 E/F	1978-1979	FA041				MD2025RS					1
RD 250 LC	1980	FA064				MD2019RS					2
RD 250 LC	1980-1983	FA070				MD2019RS					3
RI-Z 250cc/3XC	Left 1990-1992	FA220*				MD2022LS					4
	Right 1990-1992					MD2022RS					5
RZ 250 4L3	1982	FA070				MD2019RS					6
RZ 250 R 1AR/1XG	1984	FA104*			FA104HH*	MD2011*	MD2011C*	VR2011*			7
RZ 250 R 29L	1983	FA081*				MD2011*	MD2011C*	VR2011*			8
RZ 250 RR 5IL	1984	FA104*			FA104HH*	MD2011*	MD2011C*	VR2011*			9
SR 250 4GR1/2/3/4	1993-1994	Y522									10
SR 250 Classic/21L	1996-2000	FA081				MD2019					11
SR 250 SE 3Y8	1981-1983	Y522									12
SRV 250 Soulfultwin/Renaissa 4DN1-6	1992-1997	FA179			FA179HH	MD2067					13
SRX 250 51Y/52E/1JA	1985	FA104			FA104HH	MD2056RS					14
TDR 250	1988-1992	FA123			FA123HH	MD2003X	MD2003XC	VR2003BLK†			15
TT 250 R	1990	FA105TT			FA105R	MD6039D					16
TT 250 R	1993-1994	FA135TT		MXS135	FA135R	MD6066D					17
TT 250 R	1996	FA135TT		MXS135	FA135R	MD6066D					18
TT 250 R	1995-1997	FA135TT		MXS135	FA135R	MD6066D					19
TT 250 R Raid	1994-1996	FA135TT		MXS135	FA135R	MD6066D					20
TT 250 RL	1999	FA135TT		MXS135	FA135R	MD6066D					21
TT 250 RM	2000	FA135TT		MXS135	FA135R	MD6066D					22
TY 250 D/E	1977-1978	Y504			Y504G						23
TY 250 H	1981	Y507			Y507G						24
TY 250 R	1991-1992	FA115TT		MXS115	FA115R						25
TY 250 R	1993-1994	FA115TT		MXS115	FA115R						26
TY 250 S/R	1984-1990	Y517			Y517G						27
TY 250 Z	1993-1996	FA115TT		MXS115	FA115R						28
TZR 250 1KT/2AW Japan	1987	FA123			FA123HH	MD2003X	MD2003XC	VR2003BLK†			29
TZR 250 2MA/2XW1 Europe	1987-1992	FA123			FA123HH	MD2003X	MD2003XC	VR2003BLK†			30
TZR 250 3MA1	1989	FA252*			FA252HH*★	MD2001X*	MD2001XC*	VR2001BLK*†			31
TZR 250 3MA1	1990	FA252*			FA252HH*★	MD2003X*					32
TZR 250 R V-Twin	1991-1993	FA252*			FA252HH*★	MD2003X*					33
TZR 250 RS V-Twin	1992-1994	FA252*			FA252HH*★	MD2003X*					34
TZR 250 SP	1990	FA252*			FA252HH*★	MD2003X*					35
TZR 250 SPR V-Twin	1995	FA252*			FA252HH*★						36
VP 250 X-City 5B2	2007-2016	SFA196	SFAC196		SFA196HH	MD9130D					37
WR 250 2T	1992-1997	FA135TT		MXS135	FA135R	MD6028D			MD6028CX	OSX6028E	38
WR 250 F 4T	2003-2006	FA185TT		MXS185	FA185R	MD6356D	MD6356C		MD6356CX	OSX6028	39
WR 250 F 4T	2007-2013	FA185TT		MXS185	FA185R		MD6356C		MD6356CX	OSX6028	40
WR 250 F 4T Reverse Cyl	2015-2016	FA185TT		MXS185	FA185R		MD6356C		MD6356CX	OSX6028	41
WR 250 F 4T Reverse Cyl	2017-2021	FA450TT		MXS450	FA450R		MD6392C		MD6392CX	OSX6392	42
WR 250 F 4T Reverse Cyl	2022-2024	FA755TT		MXS755	FA755R		MD6392C		MD6392CX	OSX6392	43
WR 250 FN	2001	FA185TT		MXS185	FA185R	MD6356D	MD6356C		MD6356CX	OSX6028	44
WR 250 FP	2002	FA185TT		MXS185	FA185R	MD6356D	MD6356C		MD6356CX	OSX6028	45
WR 250 R 4T	2008-2018	FA185TT		MXS185	FA185R		MD6320C				46
WR 250 R 4T	2008-2018	FA185TT		MXS185	FA185R		MD6320C SPEC				47
WR 250 X Supermoto	2008-2015	FA142			FA142HH		MD6323C				48
WR 250 ZB	1991	FA135TT		MXS135	FA135R	MD6012D					49
WR 250 ZK 5EN1	1998	FA185TT		MXS185	FA185R	MD6028D			MD6028CX	OSX6028	50
XG 250 Tricker 5XT1	2004-2006	FA275TT			FA275HH	MD6067D					51
X-Max 250	2018-2019	SFA705	SFAC705		SFA705HH	MD9169D					52
X-Max 250 Momo Design	2015	SFA196	SFAC196		SFA196HH	MD9102D					53
XP 250 RA X-Max Iron-Max	2016	SFA196	SFAC196		SFA196HH	MD9102D					54
XS 250 C	1978	FA034				MD2019RS					55
XS 250 C	1981	Y513									56
XS 250 D/E	1979-1981	FA034				MD2019RS					57
XS 250 SE/SF	1979-1981	FA041				MD2019RS					58
XT 250	1980	Y506			Y506G						59
XT 250 Serrow 3C51/2	2005-2008	FA275TT			FA275HH	MD6068D					60

*-2 Sets Required. † For Vee disc colours add RED, BLU, GRN, GLD, ORG suffix to part number.

⊗ - Also available as a Vintage Motorcycle Disc. ★ - EPFA available. ⚙ - Disc made of Billet steel. ♦ - CE solid discs for Enduro use.

JAPANESE Built Motorcycles

BRAKE APPLICATIONS

Line #	BRAKE DISC CHOICES - FRONT			DISC PAD CHOICES - REAR				BRAKE DISC CHOICES - REAR					
	SMX Oversize 320mm Disc Kit Front Left	Front disc bolt kit	Front Brake Line	FA, SFA, TT Pad or Brake Shoe	SFAC Carbon Scooter Pads	Speciality Pads - SXR / Vee / MXS	Sintered HH/R Pads/ Grooved Shoes	Standard Replacement Disc	Contour Disc Rear Fitment	Vee Discs CONTOUR	CX Extreme MX Race Disc / UTVX Disc	Rear disc bolt kit	Rear Brake Line
1				FA041				MD2025RS [Ⓞ]					
2			BLM2057-1F	Y514									
3			BLM2057-1F	Y514									
4				FA104			FA104HH	MD2021					
5													
6				Y514									
7		DB201/6		FA104			FA104HH	MD2011	MD2011C	VR2011			
8		DB201/6		FA104			FA104HH	MD2011	MD2011C	VR2011			
9		DB201/6		FA104			FA104HH	MD2011	MD2011C	VR2011			
10				Y527									
11				Y527									
12				Y506									
13		DB201/6		Y527									
14				Y510									
15			BLM2073-1F	FA104		FA104V	FA104HH	MD2021	MD2021C	VR2021			
16				Y506			Y506G						
17				FA152/2TT		MXS152/2	FA152/2R	MD6121D					
18				FA152/2TT		MXS152/2	FA152/2R	MD6121D					
19				FA152/2TT		MXS152/2	FA152/2R	MD6121D					
20				FA152/2TT		MXS152/2	FA152/2R	MD6121D					
21				FA152/2TT		MXS152/2	FA152/2R	MD6121D					
22				FA152/2TT		MXS152/2	FA152/2R	MD6121D					
23				Y506			Y506G						
24				Y510			Y510G						
25				Y504			Y504G						
26				FA115TT		MXS115	FA115R						
27				Y504			Y504G						
28				FA115TT		MXS115	FA115R						
29				FA104			FA104HH	MD2021	MD2021C	VR2021			
30				FA104			FA104HH	MD2021	MD2021C	VR2021			
31		DB201/6		FA104			FA104HH	MD2021	MD2021C	VR2021			
32		DB201/6		FA104			FA104HH	MD2021	MD2021C				
33		DB201/6		FA104			FA104HH	MD2021	MD2021C				
34		DB201/6		FA104			FA104HH	MD2021	MD2021C				
35		DB201/6		FA104			FA104HH	MD2021	MD2021C				
36				FA104			FA104HH	MD2021	MD2021C				
37				SFA275	SFAC275		SFA275HH	MD9104D					
38				FA152TT			FA152R	MD6011D					
39	SMX6028			FA367TT		MXS367	FA367R	MD6190D			MD6190CX [◆]		
40	SMX6028		BLM6086-1F	FA367TT		MXS367	FA367R				MD6190CX [◆]		
41	SMX6028			FA367TT		MXS367	FA367R				MD6190CX [◆]		
42				FA367TT		MXS367	FA367R				MD6190CX [◆]		
43				FA367TT		MXS367	FA367R				MD6190CX [◆]		
44	SMX6028			FA131TT		MXS131	FA131R	MD6135D	MD6135C		MD6135CX [◆]		
45	SMX6028			FA131TT		MXS131	FA131R	MD6190D			MD6190CX [◆]		
46			BLM6087-1F	FA367TT		MXS367	FA367R		MD6319C				
47				FA367TT		MXS367	FA367R		MD6319C				
48			BLM6088-1F	FA367TT		MXS367	FA367R		MD6319C				
49				FA152TT			FA152R	MD6011D					
50	SMX6028			FA131TT		MXS131	FA131R	MD6135D	MD6135C		MD6135CX [◆]		
51				FA152TT		MXS152	FA152R	MD6244D					
52				SFA706	SFAC706		SFA706HH	MD9168D					
53				SFA213			SFA213HH						
54				SFA275	SFAC275		SFA275HH	MD9108D					
55				FA034				MD2019RS					
56				Y516									
57				Y516									
58				Y516									
59				Y506			Y506G						
60				FA152TT			FA152R	MD6244D					

REAR / ARRIÈRE / HINTEN / POSTERIORE

R Suffix = High Durability Sintered Pad. **HH** Suffix = High Performance Sintered Pad. **TT** Suffix = Hard Wearing Off Road Pad. **V** Suffix = Semi Sintered Pad. **G** Suffix = Grooved Shoe. **D** Suffix = Drilled Disc. **X** Suffix = Universal Left or Right Floating Disc. **XC** Suffix = Contoured Floating Disc. **LS** Suffix = Left/Steel Disc. **RS** = Right/Steel Disc.

*-2 Sets Required. † For Vee disc colours add RED, BLU, GRN, GLD, ORG suffix to part number.

Ⓞ - Also available as a Vintage Motorcycle Disc. ★ - EPFA available. Ⓞ - Disc made of Billet steel. ◆ CE solid discs for Enduro use.

Part numbers, prefixes, suffixes, photos and illustrations shown in this catalogue are trademarks and/or copyrights of EBC Brakes or the trademark owner A C Freeman Investments Ltd and use without express written permission of the owners is punishable by law.

JAPANESE Built Motorcycles



YAMAHA Contd.



DISC PAD CHOICES - FRONT

BRAKE DISC CHOICES - FRONT

FRONT / AVANT / VORN / FRENTE / ANTERIORE

Model	Year	FA, SFA, TT Pad or Brake Shoe	SFAC Carbon Scooter Pads	Speciality Pads - SXR / Vee / MXS	Sintered/HH Pads/ Grooved Shoes	Standard Replacement Discs	Contour Disc Universal Left and Right	Vee-Discs Black † See note below	CX Extreme Disc / UTVX Disc	OSX Oversize 250mm or 280mm	Line #
XTZ 250 4B41/2/3 Lander Brasil	2007-2009	FA135TT		MXS135	FA135R						1
XV 250 S Virago	1995-2000	FA199			FA199HH	MD2067					2
XV 250 Virago	1989-1994	FA081		FA081V		MD2019RS					3
XVS 250 Dragstar	2001-2004	FA199			FA199HH	MD2067					4
YBR 250 5D11	2007-2011	FA197			FA197HH	MD2106RS					5
YDS7 250	1972	Y513									6
YFB 250 Timberwolf	1992-1994	Y503*			Y503G*						7
YFB 250 Timberwolf	1994-2000	Y528*			Y528G*						8
YFB 250 Timberwolf	1995-1998	Y528*			Y528G*						9
YFM 250 Bear Tracker	1999-2000	Y528*			Y528G*						10
YFM 250 Bear Tracker	2001-2004	FA054TT*			FA054R*	MD6054D*					11
YFM 250 Big Bear	2007-2010	FA054TT*			FA054R*	MD6054D*					12
YFM 250 Bruin	2005-2006	FA054TT*			FA054R*	MD6054D*					13
YFM 250 R 1BT	Left 2012-2013	FA443TT			FA443R	MD6054D*					14
	Right 2012-2013	FA444TT			FA444R						15
YFM 250 R 33B	Left 2009-2011	FA443TT			FA443R	MD6054D*					16
	Right 2009-2011	FA444TT			FA444R						17
YFM 250 Raptor	Left 2008-2009	FA443TT			FA443R	MD6054D*					18
	Right 2008-2009	FA444TT			FA444R						19
YFM 250 W/A/B	1990-1992	Y528*			Y528G*						20
YP 250 Majesty	1996-1998	SFA199	SFAC199		SFA199HH	MD903D		VR903			21
YP 250 Majesty	2000-2003	SFA199	SFAC199		SFA199HH	MD903D		VR903			22
YP 250 Majesty DX/A	1998-1999	SFA199	SFAC199		SFA199HH	MD903D		VR903			23
YP 250 R X-Max	2011-2016	SFA196	SFAC196		SFA196HH	MD9102D		VR9102			24
YP 250 R X-Max	2014-2015	SFA196	SFAC196		SFA196HH	MD9102D		VR9102			25
YP 250 R X-Max 1C0	2005-2009	SFA430	SFAC430		SFA430HH	MD9102D		VR9102			26
YP 250 R X-Max 2PL1	2014-2015	SFA196	SFAC196		SFA196HH	MD9102D		VR9102			27
YP 250 R X-Max 2PL1	2014-2016	SFA196	SFAC196		SFA196HH	MD9102D					28
YP 250 R X-Max 37P1	2010-2013	SFA196	SFAC196		SFA196HH	MD9102D		VR9102			29
YP 250 R X-Max Sport	2011-2012	SFA196	SFAC196		SFA196HH	MD9102D		VR9102			30
YS 250 1S41 Fazer Brasil	2006-2008	FA197			FA197HH						31
YTZ 250 TR1-Z	1985-1986	FA101TT		MXS101	FA101R	MD6047D					32
YZ 250	1977-1979	Y507									33
YZ 250	1990-1991	FA135TT		MXS135	FA135R	MD6012D					34
YZ 250	1992-1997	FA135TT		MXS135	FA135R	MD6028D			MD6028CX	OSX6028E	35
YZ 250	1998-2000	FA185TT		MXS185	FA185R	MD6028D			MD6028CX	OSX6028	36
YZ 250	2003-2007	FA185TT		MXS185	FA185R	MD6356D	MD6356C		MD6356CX	OSX6028	37
YZ 250	2008-2016	FA450TT		MXS450	FA450R		MD6356C		MD6356CX	OSX6728	38
YZ 250	2021-2024	FA755TT		MXS755	FA755R		MD6392C		MD6392CX	OSX6392	39
YZ 250 F	2003-2006	FA185TT		MXS185	FA185R	MD6356D	MD6356C		MD6356CX	OSX6028	40
YZ 250 F	2007-2015	FA450TT		MXS450	FA450R		MD6356C		MD6356CX	OSX6728	41
YZ 250 F	2016-2019	FA450TT		MXS450	FA450R		MD6392C		MD6392CX	OSX6392	42
YZ 250 F	2020-2023	FA755TT		MXS755	FA755R		MD6392C		MD6392CX	OSX6392	43
YZ 250 F 60th Ann Edition	2016	FA450TT		MXS450	FA450R		MD6392C		MD6392CX	OSX6392	44
YZ 250 FN	2001	FA185TT		MXS185	FA185R	MD6356D	MD6356C		MD6356CX	OSX6028	45
YZ 250 FP	2002	FA185TT		MXS185	FA185R	MD6356D	MD6356C		MD6356CX	OSX6028	46
YZ 250 FX	2021-2023	FA450TT		MXS450	FA450R		MD6392C		MD6392CX	OSX6392	47
YZ 250 G	1980	Y507			Y507G						48
YZ 250 H	1981-1984	Y508			Y508G						49
YZ 250 Monster Energy	2021-2022	FA755TT		MXS755	FA755R		MD6392C		MD6392CX	OSX6392	50
YZ 250	1985	FA105TT			FA105R	MD6324D					51
YZ 250	2001	FA185TT		MXS185	FA185R	MD6356D	MD6356C		MD6356CX	OSX6028	52
YZ 250 P	2002	FA185TT		MXS185	FA185R	MD6356D	MD6356C		MD6356CX	OSX6028	53
YZ 250 S/T	1986-1987	FA105TT			FA105R	MD6067D					54
YZ 250 U	1988	FA105TT			FA105R	MD6039D					55
YZ 250 W	1989	FA135TT		MXS135	FA135R	MD6016D					56
YZ 250 X	2017-2023	FA450TT		MXS450	FA450R		MD6392C		MD6392CX	OSX6392	57
MT-03 ABS	2016-2024	FA663			FA663HH	MD2119X	MD2119XC	VR2119BLK*†			58
Tricity 300 ABS	Left 2020-2024	SFA652				MD9146D*					59
	Right 2020-2024	SFA655									60

*-2 Sets Required. † For Vee disc colours add RED, BLU, GRN, GLD, ORG suffix to part number.

⊗ - Also available as a Vintage Motorcycle Disc. ★ - EPFA available. ⚙ - Disc made of Billet steel. ◆ - CE solid discs for Enduro use.

JAPANESE Built Motorcycles

Line #	BRAKE DISC CHOICES - FRONT			DISC PAD CHOICES - REAR				BRAKE DISC CHOICES - REAR					
	SMX Oversize 320mm Disc Kit Front Left	Front disc bolt kit	Front Brake Line	FA, SFA, TT Pad or Brake Shoe	SFAC Carbon Scooter Pads	Speciality Pads - SXR / Vee / MXS	Sintered HH/R Pads/ Grooved Shoes	Standard Replacement Disc	Contour Disc Rear Fitment	Vee Discs CONTOUR	CX Extreme MX Race Disc / UTVX Disc	Rear disc bolt kit	Rear Brake Line
1				FA152TT			FA152R	MD6244D					
2		DB201/6		Y527									
3				Y527									
4		DB201/6		Y527									
5				Y535									
6				Y514									
7				Y528			Y528G						
8				Y528			Y528G						
9				Y528			Y528G						
10				Y528			Y528G						
11				Y528			Y528G						
12				Y532			Y532G						
13				Y532			Y532G						
14				FA084TT			FA084R	MD6236D					
15													
16				FA084TT			FA084R	MD6236D					
17													
18				FA084TT			FA084R	MD6236D					
19													
20				FA021			FA021R						
21				Y516									
22				SFA275	SFAC275		SFA275HH	MD953D		VR953			
23				SFA275	SFAC275		SFA275HH	MD927D		VR927			
24				SFA275	SFAC275		SFA275HH	MD9108D					
25				SFA213			SFA213HH						
26				SFA275	SFAC275		SFA275HH	MD9104D		VR9104			
27				SFA213			SFA213HH						
28				SFA678	SFAC678		SFA678HH	MD9153D					
29				SFA275	SFAC275		SFA275HH	MD9104D		VR9104			
30				SFA275	SFAC275		SFA275HH	MD9104D		VR9104			
31				Y531									
32				FA101TT		MXS101	FA101R						
33				Y528			Y528G						
34				FA152TT		MXS152	FA152R	MD6011D					
35				FA152/2TT		MXS152/2	FA152/2R	MD6011D					
36	SMX6028			FA131TT		MXS131	FA131R	MD6135D	MD6135C		MD6135CX♦		
37	SMX6028			FA367TT		MXS367	FA367R	MD6190D			MD6190CX♦		
38	SMX6728			FA367TT		MXS367	FA367R				MD6190CX♦		
39				FA367TT		MXS367	FA367R		MD6135C		MD6135CX♦		
40	SMX6028			FA367TT		MXS367	FA367R	MD6190D			MD6190CX♦		
41	SMX6728		BLM6091-1F	FA367TT		MXS367	FA367R				MD6190CX♦		
42				FA367TT		MXS367	FA367R				MD6190CX♦		
43				FA367TT		MXS367	FA367R		MD6135C		MD6135CX♦		
44				FA367TT		MXS367	FA367R				MD6190CX♦		
45	SMX6028		BLM6093-1F	FA131TT		MXS131	FA131R	MD6135D	MD6135C		MD6135CX♦		
46	SMX6028		BLM6093-1F	FA131TT		MXS131	FA131R	MD6190D			MD6190CX♦		
47				FA367TT		MXS367	FA367R				MD6190CX♦		
48				Y506			Y506G						
49				Y506			Y506G						
50				FA367TT		MXS367	FA367R		MD6135C		MD6135CX♦		
51				Y506			Y506G						
52	SMX6028			FA131TT		MXS131	FA131R	MD6135D	MD6135C		MD6135CX♦		
53	SMX6028			FA131TT		MXS131	FA131R	MD6190D			MD6190CX♦		
54				Y506			Y506G						
55				FA101TT		MXS101	FA101R	MD6011D					
56				FA084/3TT		MXS084/3	FA084/3R	MD6011D					
57				FA367TT		MXS367	FA367R				MD6190CX♦		
58				FA662			FA662HH	MD2123	MD2123C	VR2123			
59				SFA706	SFAC706		SFA706HH	MD9168D					
60													

REAR / ARRIÈRE / HINTEN / POSTERIOR / POSTERIORE

R Suffix = High Durability Sintered Pad. **HH** Suffix = High Performance Sintered Pad. **TT** Suffix = Hard Wearing Off Road Pad. **V** Suffix = Semi Sintered Pad. **G** Suffix = Grooved Shoe.
D Suffix = Drilled Disc. **X** Suffix = Universal Left or Right Floating Disc. **XC** Suffix = Contoured Floating Disc. **LS** Suffix = Left/Steel Disc. **RS** = Right/Steel Disc.

*-2 Sets Required. † For Vee disc colours add RED, BLU, GRN, GLD, ORG suffix to part number.

⊙ - Also available as a Vintage Motorcycle Disc. ★ - EPFA available. Ⓢ Disc made of Billet steel. ♦ CE solid discs for Enduro use.

Part numbers, prefixes, suffixes, photos and illustrations shown in this catalogue are trademarks and/or copyrights of EBC Brakes or the trademark owner A C Freeman Investments Ltd and use without express written permission of the owners is punishable by law.

JAPANESE Built Motorcycles



YAMAHA Contd.



DISC PAD CHOICES - FRONT

BRAKE DISC CHOICES - FRONT

FRONT / AVANT / VORN / FRENTE / ANTERIORE

FA, SFA, TT Pad or Brake Shoe	SFAC Carbon Scooter Pads	Speciality Pads - SXR / Vee / MXS	Sintered/HH Pads/ Grooved Shoes	Standard Replacement Discs	Contour Disc Universal Left and Right	Vee-Discs Black † See note below	CX Extreme Disc / UTVX Disc	OSX Oversize 250mm or 280mm
VP 300 Versity	2003-2005	SFA181	SFAC181	SFA181HH	MD995D			
VP 300 Versity	2006	SFA196	SFAC196	SFA196HH	MD995D	VR995		
X-Max 300 ABS	2017-2024	SFA705	SFAC705	SFA705HH	MD9169D			
X-Max 300 Tech Max ABS	2018-2024	SFA705	SFAC705	SFA705HH	MD9169D			
YFM 300 Grizzly	2012-2013	FA083TT*		FA083R*	MD6283D*			
YZF-R3	2015-2024	FA663		FA663HH	MD2119X	MD2119XC	VR2119BLK*†	
RD 350 A/B	1973-1975	FA011						
RD 350 F/F2	1985-1992	FA104*		FA104HH*	MD2011*	MD2011C*	VR2011*	
RD 350 LC	Left 1980	FA064*			MD2019LS			
	Right 1980				MD2019RS			
RD 350 LC	Left 1981-1982	FA070*			MD2019LS			
	Right 1981-1982				MD2019RS			
RD 350 N	1985	FA104*		FA104HH*	MD2011*	MD2011C*	VR2011*	
RD 350 R	1992-1995	FA104*		FA104HH*	MD2011*	MD2011C*	VR2011*	
RD 350 YPVS	1983-1984	FA081*			MD2011*	MD2011C*	VR2011*	
TT 350 1TJ	1985-1989	FA105TT		FA105R	MD6039D			
TT 350 A 3GJ	1990-1995	FA105TT		FA105R	MD6039D			
XT 350	1985-1990	FA101TT		FA101R	MD6068D			
XT 350	1991-1995	FA101TT		FA101R	MD6068D			
YFM 350	1989-1995	Y524*		Y524G*				
YFM 350	1993-1995	Y528*		Y528G*				
YFM 350	1996-1998	Y524*		Y524G*				
YFM 350 Big Bear	1987-1988	Y520*		Y520G*				
YFM 350 Big Bear	1996-1998	Y524*		Y524G*				
YFM 350 Bruin 4 x 4	2004-2006	FA054TT*		FA054R*	MD6215D*			
YFM 350 Bruin 4 x 4	2004-2006	FA054TT*		FA054R*	MD6215D*			
YFM 350 ERD	1992	Y528*		Y528G*				
YFM 350 FWA Grizzly	2004-2014	FA054TT*		FA054R*	MD6215D*			
YFM 350 Grizzly	2008-2010	FA054TT*		FA054R*	MD6215D*			
YFM 350 Grizzly IRS	2007-2010	FA054TT*		FA054R*	MD6215D*			
YFM 350 L Big Bear	1999	FA054TT*		FA054R*	MD6123D*			
YFM 350 Raptor	2004-2009	FA084TT*	MXS084*	FA084R*	MD6054D*			
YFM 350 Warrior	1992-2004	FA054TT*		FA054R*	MD6054D*			
YFM 350 Wolverine	1995-2004	FA054TT*		FA054R*	MD6123D*			
YFM 350 Wolverine	2006-2009	FA054TT*		FA054R*	MD6215D*			
YZF 350 Banshee	1987-1989	FA101TT*		FA101R*	MD6051D*			
YZF 350 Banshee	1990-2009	FA054TT*		FA054R*	MD6054D*			
XS 360 B	1975	FA011						
XS 360 C	1976	FA034	FA034V		MD2019RS			
DT 400 All Models	1975-1977	Y528		Y528G				
FZ 400 4YR1	1996	FA244*		FA244HH*★	MD2001X*	MD2001XC*	VR2001BLK*†	
FZ 400 N IKF/46K/33M	1985	FA088*	FA088V*	FA088HH*★	MD2011*			
FZR 400 3EN1	Left 1988	FA123*		FA123HH*	MD2022LS			
	Right 1988				MD2022RS			
FZR 400 Genesis 1WG	Left 1986	FA088*	FA088V*	FA088HH*★	MD2020LS			
	Right 1986				MD2020RS			
FZR 400 R 3EN2	1989	FA123*		FA123HH*	MD2001X*	MD2001XC*	VR2001BLK*†	
FZR 400 RR 3TJ1	1994	FA252*		FA252HH*★	MD2001X*	MD2001XC*	VR2001BLK*†	
FZR 400 RR 4DX	1992	FA252*		FA252HH*★	MD2001X*	MD2001XC*	VR2001BLK*†	
FZR 400 RRSP 3TJ2/6/7 ITJ	1994	FA252*		FA252HH*★	MD2001X*	MD2001XC*	VR2001BLK*†	
FZR 400 RSP 2TK-EXUP	Left 1987	FA123*		FA123HH*	MD2022LS			
	Right 1987				MD2022RS			
RD 400 C/D	1976-1977	FA011						
RD 400 E/F	1978-1979	FA041			MD2025RS⊗			
SR 400 2RD	2014-2017	FA179	FA179V	FA179HH	MD2076			
SR 400 3HT1	1988	Y526						
SRX 400	1990-1996	FA123		FA123HH	MD2003X	MD2003XC	VR2003BLK*†	
SRX 400 1JL	1985	FA088	FA088V	FA088HH★	MD2011			
WR 400 FK	1998	FA185TT	MXS185	FA185R	MD6028D		MD6028CX	OSX6028
WR 400 FL/FM	1999-2000	FA185TT	MXS185	FA185R	MD6028D		MD6028CX	OSX6028

Line #

R Suffix = High Durability Sintered Pad. HH Suffix = High Performance Sintered Pad. TT Suffix = Hard Wearing Off Road Pad. V Suffix = Semi Sintered Pad. G Suffix = Grooved Shoe.
D Suffix = Drilled Disc. X Suffix = Universal Left or Right Floating Disc. XC Suffix = Contoured Floating Disc. LS Suffix = Left/Steel Disc. RS = Right/Steel Disc.

*-2 Sets Required. † For Vee disc colours add RED, BLU, GRN, GLD, ORG suffix to part number.

⊗ - Also available as a Vintage Motorcycle Disc. ★ - EPFA available. ⊕ Disc made of Billet steel. ◆ CE solid discs for Enduro use.

100 Part numbers, prefixes, suffixes, photos and illustrations shown in this catalogue are trademarks and/or copyrights of EBC Brakes or the trademark owner A C Freeman Investments Ltd and use without express written permission of the owners is punishable by law.

JAPANESE Built Motorcycles

BRAKE APPLICATIONS

Line #	BRAKE DISC CHOICES - FRONT			DISC PAD CHOICES - REAR				BRAKE DISC CHOICES - REAR					
	SMX Oversize 320mm Disc Kit Front Left	Front disc bolt kit	Front Brake Line	FA, SFA, TT Pad or Brake Shoe	SFAC Carbon Scooter Pads	Speciality Pads - SXR / Vee / MXS	Sintered HH/R Pads/ Grooved Shoes	Standard Replacement Disc	Contour Disc Rear Fitment	Vee Discs CONTOUR	CX Extreme MX Race Disc / UTVX Disc	Rear disc bolt kit	Rear Brake Line
1				SFA181	SFAC181		SFA181HH	MD9104D		VR9104			
2				SFA181	SFAC181		SFA181HH	MD9104D		VR9104			
3				SFA706	SFAC706		SFA706HH	MD9168D					
4				SFA706	SFAC706		SFA706HH	MD9168D					
5				FA067TT			FA067R	MD6369D					
6				FA662			FA662HH	MD2123	MD2123C	VR2123			
7				Y514									
8		DB201/6		FA104		FA104V	FA104HH	MD2011	MD2011C	VR2011			
9													
10				Y514									
11													
12				Y514									
13		DB201/6		FA104		FA104V	FA104HH	MD2011	MD2011C	VR2011			
14		DB201/6		FA104		FA104V	FA104HH	MD2011	MD2011C	VR2011			
15		DB201/6		FA088		FA088V		MD2011	MD2011C	VR2011			
16				Y527			Y527G						
17				Y527			Y527G						
18				Y506			Y506G						
19				Y527			Y527G						
20				FA021			FA021R						
21				FA021			FA021R						
22				Y528			Y528G						
23				FA021			FA021R						
24				Y516									
25				Y532			Y532G						
26				Y532			Y532G						
27				FA021			FA021R						
28				Y532			Y532G						
29				Y532			Y532G						
30													
31				Y516			Y516G						
32				FA084TT		MXS084	FA084R	MD6236D					
33				FA084TT			FA084R	MD6055D					
34				FA084TT			FA084R	MD6053D					
35				Y532			Y532G						
36				FA084TT			FA084R	MD6053D					
37				FA084TT		MXS084	FA084R	MD6237D					
38				Y514									
39				FA034				MD2019RS					
40				Y510			Y510G						
41		DB201/6		FA104		FA104V	FA104HH	MD2002	MD2002C	VR2002			
42		DB201/6		FA104		FA104V	FA104HH	MD2002	MD2002C	VR2002			
43				FA104		FA104V	FA104HH	MD2021					
44													
45													
46				FA104		FA104V	FA104HH	MD2021					
47		DB201/6		FA104			FA104HH	MD2021	MD2021C	VR2021			
48		DB201/6		FA104			FA104HH	MD2021	MD2021C	VR2021			
49		DB201/6	BLM2024-3F	FA104			FA104HH	MD2021	MD2021C	VR2021			
50		DB201/6	BLM2024-3F	FA104			FA104HH	MD2021	MD2021C	VR2021			
51				FA104			FA104HH	MD2021					
52													
53				FA011									
54				FA041				MD2025RS					
55				Y510									
56				Y510									
57		DB201/6		FA104		FA104V	FA104HH	MD2002	MD2002C	VR2002		DB201/6	
58				FA104		FA104V	FA104HH	MD2002	MD2002C	VR2002			
59	SMX6028			FA152/2TT		MXS152/2	FA152/2R	MD6011D					
60	SMX6028			FA131TT		MXS131	FA131R	MD6135D	MD6135C		MD6135CX		

REAR / ARRIERE / HINTEN / POSTERIOR / POSTERIORE

*-2 Sets Required. † For Vee disc colours add RED, BLU, GRN, GLD, ORG suffix to part number.

⊙ - Also available as a Vintage Motorcycle Disc. ★ - EPFA available. ⊕ Disc made of Billet steel. ◆ CE solid discs for Enduro use.

Part numbers, prefixes, suffixes, photos and illustrations shown in this catalogue are trademarks and/or copyrights of EBC Brakes or the trademark owner A C Freeman Investments Ltd and use without express written permission of the owners is punishable by law.

R Suffix = High Durability Sintered Pad. **HH** Suffix = High Performance Sintered Pad. **TT** Suffix = Hard Wearing Off Road Pad. **V** Suffix = Semi Sintered Pad. **G** Suffix = Grooved Shoe. **D** Suffix = Drilled Disc. **X** Suffix = Universal Left or Right Floating Disc. **XC** Suffix = Contoured Floating Disc. **LS** Suffix = Left/Steel Disc. **RS** = Right/Steel Disc.

JAPANESE Built Motorcycles



YAMAHA Contd.



DISC PAD CHOICES - FRONT

BRAKE DISC CHOICES - FRONT

R Suffix = High Durability Sintered Pad. **HH** Suffix = High Performance Sintered Pad. **TT** Suffix = Hard Wearing Off Road Pad. **V** Suffix = Semi Sintered Pad. **G** Suffix = Grooved Shoe.
D Suffix = Drilled Disc. **X** Suffix = Universal Left or Right Floating Disc. **XC** Suffix = Contoured Floating Disc. **LS** Suffix = Left/Steel Disc. **RS** = Right/Steel Disc.

FRONT / AVANT / VORN / FRENTE / ANTERIORE

		DISC PAD CHOICES - FRONT			BRAKE DISC CHOICES - FRONT					Line #	
		FA, SFA, TT Pad or Brake Shoe	SFAC Carbon Scooter Pads	Speciality Pads - SXR / Vee / MXS	Sintered/HH Pads/ Grooved Shoes	Standard Replacement Discs	Contour Disc Universal Left and Right	Vee-Discs Black † See note below	CX Extreme Disc / UTVX Disc	OSX Oversize 250mm or 280mm	Line #
WR 400 FN	2001	FA185TT		MXS185	FA185R	MD6356D	MD6356C		MD6356CX	OSX6028	1
XJR 400	1993-1996	FA199*			FA199HH*	MD2001X*	MD2001XC*	VR2001BLK*†			2
XJR 400	1995-1999	FA244*			FA244HH*★	MD2001X*	MD2001XC*	VR2001BLK*†			3
XP 400 RA T-Max Iron Max	2016	SFA196*	SFAC196*		SFA196HH*						4
XS 400	1979	FA034		FA034V		MD2019RS					5
XS 400	1982	FA081		FA081V		MD2011					6
XS 400 C	1978	FA034		FA034V		MD2019RS					7
XS 400 SE	1980-1981	FA041		FA041V		MD2019RS					8
XVS 400	1996	FA179		FA179V	FA179HH	MD2076					9
YFM 400 AR Kodiak 5VH3/4	2003	FA054TT*			FA054R*	MD6215D*					10
YFM 400 Big Bear	2003-2004	FA054TT*			FA054R*	MD6123D*					11
YFM 400 FAM/FAN	2000-2001	FA054TT*			FA054R*	MD6123D*					12
YFM 400 FAT/FAV Big Bear	2005-2006	FA054TT*			FA054R*	MD6215D*					13
YFM 400 FGW/FGX Grizzly	2007-2008	FA054TT*			FA054R*	MD6054D*					14
YFM 400 FWP Big Bear 4 x 4	2002	FA084TT*		MXS084*	FA084R*	MD6123D*					15
YFM 400 Kodiak	1993-1999	Y524*			Y524G*						16
YFM 400 Kodiak Auto	2003-2004	FA054TT*			FA054R*	MD6215D*					17
YP 400 Majesty	2004	SFA179	SFAC179		SFA179HH	MD9102D		VR9102			18
YP 400 Majesty	2005-2013	SFA199*	SFAC199*		SFA199HH*	MD9136D*		VR9136*			19
YP 400 Majesty	2005-2013	SFA199*	SFAC199*		SFA199HH*	MD9136D*		VR9136*			20
YP 400 X-Max Momo Design	2015	SFA196*	SFAC196*		SFA196HH*	MD2098*	MD2098C*				21
YP 400 X-Max R	2013-2016	SFA196*	SFAC196*		SFA196HH*	MD2098*	MD2098C*				22
YP 400 X-Max R	2013-2017	SFA196*	SFAC196*		SFA196HH*	MD2098*	MD2098C*				23
YP 400 X-Max R Tech Max	2018-2021	SFA196*	SFAC196*		SFA196HH*	MD2098*	MD2098C*				24
YP 400 X-Max RA SH12	2018-2021	SFA196*	SFAC196*		SFA196HH*	MD2098*	MD2098C*				25
YZ 400	1977-1979	Y507			Y507G						26
YZ 400 FK	1998	FA185TT		MXS185	FA185R	MD6028D			MD6028CX	OSX6028	27
YZ 400 FL	1999	FA185TT		MXS185	FA185R	MD6028D			MD6028CX	OSX6028	28
IT 425 G	1980	Y507			Y507G						29
WR 426 FN	2001	FA185TT		MXS185	FA185R	MD6356D	MD6356C		MD6356CX	OSX6028	30
WR 426 FP	2002	FA185TT		MXS185	FA185R	MD6356D	MD6356C		MD6356CX	OSX6028	31
YZ 426 FM	2000	FA185TT		MXS185	FA185R	MD6028D			MD6028CX	OSX6028	32
YZ 426 FN	2001	FA185TT		MXS185	FA185R	MD6356D	MD6356C		MD6356CX	OSX6028	33
YZ 426 FP	2002	FA185TT		MXS185	FA185R	MD6356D	MD6356C		MD6356CX	OSX6028	34
WR 450 F	2003-2006	FA185TT		MXS185	FA185R	MD6356D	MD6356C		MD6356CX	OSX6028	35
WR 450 F	2007-2015	FA185TT		MXS185	FA185R		MD6356C		MD6356CX	OSX6028	36
WR 450 F	2016-2019	FA450TT		MXS450	FA450R		MD6392C		MD6392CX	OSX6392	37
WR 450 F	2020-2024	FA755TT		MXS755	FA755R		MD6392C		MD6392CX	OSX6392	38
YFM 450 Grizzly IRS	2011-2016	FA054TT*			FA054R*	MD6215D*					39
YFM 450 Grizzly IRS	2011-2014	FA054TT*			FA054R*	MD6215D*					40
YFM 450 Kodiak	2005-2006	FA054TT*			FA054R*	MD6215D*					41
YFM 450 Kodiak	2018-2022	FA084TT*		MXS084*	FA084R*	TBC*					42
YFM 450 Kodiak 5ND3/4	2003-2004	FA054TT*			FA054R*	MD6215D*					43
YFM 450 Kodiak EPS 4WD	2018-2022	FA084TT*		MXS084*	FA084R*	TBC*					44
YFM 450 Kodiak EPS DL & SE DL	2018-2022	FA084TT*		MXS084*	FA084R*	TBC*					45
YFM 450 Kodiak Hunter	2018-2022	FA084TT*		MXS084*	FA084R*	TBC*					46
YFM 450 Wolverine	2006-2010	FA054TT*			FA054R*	MD6215D*					47
YFZ 450	Left 2011-2014	FA165TT		MXS165	FA165R	MD6054D*					48
	Right 2011-2014	FA135TT		MXS135	FA135R						49
YFZ 450 B/D	2013-2014	FA054TT*			FA054R*	MD6054D*					50
YFZ 450 Quad	Left 2004-2005	FA165TT		MXS165	FA165R	MD6054D*					51
	Right 2004-2005	FA135TT		MXS135	FA135R						52
YFZ 450 Quad	Left 2006-2008	FA165TT		MXS165	FA165R	MD6054D*					53
	Right 2006-2008	FA135TT		MXS135	FA135R						54
YFZ 450 Quad	Left 2009-2010	FA165TT		MXS165	FA165R	MD6054D*					55
	Right 2009-2010	FA135TT		MXS135	FA135R						56
YXR 450 F Rhino 4WD Side x Side	Left 2004-2009	FA135TT		MXS135	FA135R	MD6241D*			UTVX6241*		57
	Right 2004-2009	FA165TT		MXS165	FA165R						58
YZ 450 F	2003-2006	FA185TT		MXS185	FA185R	MD6356D	MD6356C		MD6356CX	OSX6028	59
YZ 450 F	2007	FA185TT		MXS185	FA185R		MD6356C		MD6356CX	OSX6028	60

*-2 Sets Required. † For Vee disc colours add RED, BLU, GRN, GLD, ORG suffix to part number.

⊗ - Also available as a Vintage Motorcycle Disc. ★ - EPFA available. ⚙ - Disc made of Billet steel. ♦ - CE solid discs for Enduro use.

JAPANESE Built Motorcycles

BRAKE APPLICATIONS

Line #	BRAKE DISC CHOICES - FRONT			DISC PAD CHOICES - REAR				BRAKE DISC CHOICES - REAR					
	SMX Oversize 320mm Disc Kit Front Left	Front disc bolt kit	Front Brake Line	FA, SFA, TT Pad or Brake Shoe	SFAC Carbon Scooter Pads	Speciality Pads - SXR / Vee / MXS	Sintered HH/R Pads/ Grooved Shoes	Standard Replacement Disc	Contour Disc Rear Fitment	Vee Discs CONTOUR	CX Extreme MX Race Disc / UTVX Disc	Rear disc bolt kit	Rear Brake Line
1	SMX6028			FA131TT		MXS131	FA131R	MD6135D	MD6135C		MD6135CX♦		
2		DB201/6		FA104		FA104V	FA104HH	MD2002	MD2002C	VR2002			
3		DB201/6		FA104		FA104V	FA104HH	MD2002	MD2002C	VR2002			
4				SFA275	SFAC275		SFA275HH						
5				Y516									
6			BLM2102-2F	Y516									
7				FA034				MD2019RS					
8			BLM2102-2F	Y516									
9				Y515									
10				Y532			Y532G						
11				Y516			Y516G						
12				FA307TT			FA307R	MD6174D					
13				FA307TT			FA307R	MD6252D					
14				FA307TT			FA307R	MD6252D					
15				Y516			Y516G						
16				Y516			Y516G						
17				Y516			Y516G						
18				SFA408	SFAC408		SFA408HH	MD9103D		VR9103			
19				SFA408	SFAC408		SFA408HH	MD9103D		VR9103			
20				SFA408	SFAC408		SFA408HH	MD9103D		VR9103			
21				SFA607	SFAC607		SFA607HH	MD9103D					
22				SFA275	SFAC275		SFA275HH	MD9103D					
23				SFA275	SFAC275		SFA275HH	MD9103D					
24				SFA607	SFAC607		SFA607HH	MD9103D					
25				SFA607	SFAC607		SFA607HH	MD9103D					
26				Y528			Y528G						
27	SMX6028			FA152/2TT		MXS152/2	FA152/2R	MD6011D					
28	SMX6028			FA131TT		MXS131	FA131R	MD6135D	MD6135C		MD6135CX♦		
29				Y528			Y528G						
30	SMX6028			FA131TT		MXS131	FA131R	MD6135D	MD6135C		MD6135CX♦		
31	SMX6028			FA131TT		MXS131	FA131R	MD6190D			MD6190CX♦		
32	SMX6028			FA131TT		MXS131	FA131R	MD6135D	MD6135C		MD6135CX♦		
33	SMX6028			FA131TT		MXS131	FA131R	MD6135D	MD6135C		MD6135CX♦		
34	SMX6028			FA131TT		MXS131	FA131R	MD6190D			MD6190CX♦		
35	SMX6028			FA367TT		MXS367	FA367R	MD6190D			MD6190CX♦		
36	SMX6028		BLM6090-1F	FA367TT		MXS367	FA367R	MD6190D			MD6190CX♦		
37				FA367TT		MXS367	FA367R	MD6190D			MD6190CX♦		
38				FA367TT		MXS367	FA367R	MD6190D			MD6190CX♦		
39													
40													
41				FA307TT			FA307R	MD6252D					
42													
43				FA307TT			FA307R	MD6174D					
44													
45													
46													
47				FA307TT			FA307R	MD6174D					
48									MD6263C				
49				FA323TT			FA323R						
50				FA323TT			FA323R	MD6263D					
51													
52				FA084TT			FA084R	MD6236D					
53													
54				FA323TT			FA323R	MD6263D					
55									MD6263C				
56				FA323TT			FA323R						
57				FA428TT			FA428R	MD6242D			UTVX6242		
58													
59	SMX6028		BLM6099-1F	FA367TT		MXS367	FA367R	MD6190D			MD6190CX♦		
60	SMX6028		BLM6098-1F	FA367TT		MXS367	FA367R				MD6190CX♦		

REAR / ARRIÈRE / HINTEN / POSTERIOR / POSTERIORE

R Suffix = High Durability Sintered Pad. **HH** Suffix = High Performance Sintered Pad. **TT** Suffix = Hard Wearing Off Road Pad. **V** Suffix = Semi Sintered Pad. **G** Suffix = Grooved Shoe. **D** Suffix = Drilled Disc. **X** Suffix = Universal Left or Right Floating Disc. **XC** Suffix = Contoured Floating Disc. **LS** Suffix = Left/Steel Disc. **RS** = Right/Steel Disc.

*-2 Sets Required. † For Vee disc colours add RED, BLU, GRN, GLD, ORG suffix to part number.

⊗ - Also available as a Vintage Motorcycle Disc. ★ - EPFA available. ⚙ Disc made of Billet steel. ♦ CE solid discs for Enduro use.

Part numbers, prefixes, suffixes, photos and illustrations shown in this catalogue are trademarks and/or copyrights of EBC Brakes or the trademark owner A C Freeman Investments Ltd and use without express written permission of the owners is punishable by law.

JAPANESE Built Motorcycles



YAMAHA Contd.



DISC PAD CHOICES - FRONT

BRAKE DISC CHOICES - FRONT

FRONT / AVANT / VORN / FRENTE / ANTERIORE

FA, SFA, TT Pad or Brake Shoe	SFAC Carbon Scooter Pads	Speciality Pads - SXR / Vee / MXS	Sintered/HH Pads/ Grooved Shoes	Standard Replacement Discs	Contour Disc Universal Left and Right	Vee-Discs Black † See note below	CX Extreme Disc / UTVX Disc	OSX Oversize 250mm or 280mm		
YZ 450 F	2008-2015	FA450TT		MXS450	FA450R		MD6356C	MD6356CX	OSX6728	1
YZ 450 F	2016-2019	FA450TT		MXS450	FA450R		MD6392C	MD6392CX	OSX6392	2
YZ 450 F	2020-2021	FA755TT		MXS755	FA755R		MD6392C	MD6392CX	OSX6392	3
YZ 450 F	2021-2024	FA755TT		MXS755	FA755R		MD6392C	MD6392CX	OSX6392	4
YZ 450 F MME	2021-2023	FA755TT		MXS755	FA755R		MD6392C	MD6392CX	OSX6392	5
YZ 450 FGY 60th Ann Ed	2016	FA450TT		MXS450	FA450R		MD6392C	MD6392CX	OSX6392	6
YZ 450 FX	2022-2023	FA755TT		MXS755	FA755R		MD6392C	MD6392CX	OSX6392	7
YZ-F 450 Inc Monster Racing Ed	2019-2022	FA450TT		MXS450	FA450R		MD6392C	MD6392CX	OSX6392	8
IT 465 H/J	1981-1982	Y508			Y508G					9
YZ 465 G	1980	Y508			Y508G					10
YZ 465 H	1981	Y508			Y508G					11
IT 490 L	1984	Y508			Y508G					12
YZ 490 H/J	1981-1982	Y508			Y508G					13
YZ 490 K	1983	Y508			Y508G					14
YZ 490 L	1984	Y508			Y508G					15
YZ 490 N	1985	FA105TT			FA105R		MD6324D			16
YZ 490 S/T	1986-1987	FA105TT			FA105R		MD6067D			17
YZ 490 U	1988	FA105TT			FA105R		MD6039D			18
IT 500 G/H	1980-1981	Y507			Y507G					19
RD 500 LC	1984-1986	FA088*		FA088V*	FA088HH*★		MD2069*⊕			20
RVZ 500 R 51X	1985	FA088*		FA088V*	FA088HH*★		MD2069*⊕			21
SR 500	1978-1982	FA034		FA034V			MD2023LS⊕			22
SR 500 3GW	1996-1998	Y526								23
SR 500 S 3GW5	1998	Y526								24
TX/XS 500 B	1975-1977	FA011								25
WR 500 ZD	1992	FA135TT		MXS135	FA135R		MD6016D			26
XP 500 A T-Max - Lux Max	2016	SFA252*	SFAC252*		SFA252HH*		MD2098*	MD2098C*		27
XP 500 A T-Max 530cc	2012-2016	SFA252*	SFAC252*		SFA252HH*		MD2098*	MD2098C*		28
XP 500 Black & Bronze Max	2013-2015	SFA252*	SFAC252*		SFA252HH*		MD2098*	MD2098C*		29
XP 500 T-Max	2001-2003	SFA179	SFAC179		SFA179HH		MD2087LS			30
XP 500 T-Max	2008-2011	SFA252*	SFAC252*		SFA252HH*		MD2107*	MD2107C*		31
XP 500 T-Max	2008-2011	SFA252*	SFAC252*		SFA252HH*		MD2107*	MD2107C*		32
XP 500 T-Max 530cc	2012-2016	SFA252*	SFAC252*		SFA252HH*		MD2098*	MD2098C*		33
XP 500 T-Max 5VU1/2	2004-2007	SFA199*	SFAC199*		SFA199HH*		MD2098*	MD2098C*		34
XS 500 C/D	1978-1979	FA034		FA034V			MD2024⊕			35
XT 500	1976-1980	Y528			Y528G					36
XP 530 A - Iron Max	2015-2016	SFA252*	SFAC252*		SFA252HH*		MD2098*	MD2098C*		37
XP 530 A T-Max SX	2017-2020	SFA252*	SFAC252*		SFA252HH*		MD2098*	MD2098C*		38
XP 530 D-A T-Max DX	2017-2020	SFA252*	SFAC252*		SFA252HH*		MD2098*	MD2098C*		39
XP 530 E-A T-Max	2017-2020	SFA252*	SFAC252*		SFA252HH*		MD2098*	MD2098C*		40
XP 530 T-Max Parking Brake All Models	2017-2020									41
XV 535 S Virago	1995-2003	FA179		FA179V	FA179HH		MD2076			42
XV 535 Virago	1988-1994	FA136					MD2023RS			43
XJ 550	Left 1981-1984	FA070*		FA070V*			MD2019LS			44
	Right 1981-1984						MD2019RS			45
XJ 550 Maxim	1981-1983	FA070		FA070V			MD2023LS⊕			46
XJ 550 Seca	1981-1983	FA070		FA070V			MD2023RS			47
XT 550	1982-1983	Y510			Y510G					48
XZ 550	1982-1984	FA081*		FA081V*			MD2011*	MD2011C*	VR2011*	49
YFM 550 Grizzly EPS	Left 2011-2014	FA443TT			FA443R		MD6291D*			50
	Right 2011-2014	FA444TT			FA444R					51
YFM 550 Grizzly IRS	Left 2011-2014	FA443TT			FA443R		MD6291D*			52
	Right 2011-2014	FA444TT			FA444R					53
R5/5A/5B 350cc	1970-1972	Y513								54
T-Max 560	2019-2024	SFA252*	SFAC252*		SFA252HH*		MD2098*	MD2098C*		55
T-Max 560 Tech Max	2019-2024	SFA252*	SFAC252*		SFA252HH*		MD2098*	MD2098C*		56
FZ 500	1987-1988	FA088*		FA088V*	FA088HH*★		MD2011*	MD2011C*	VR2011*	57
FZ6	2004-2007	FA199*			FA199HH*		MD2082X*	MD2082XC*	VR2082BLK*†	58
FZ6 Fazer - Half Fairing	2004-2007	FA199*			FA199HH*		MD2082X*	MD2082XC*	VR2082BLK*†	59
FZ6 Fazer - Half Fairing	2006-2007	FA199*			FA199HH*		MD2082X*	MD2082XC*	VR2082BLK*†	60

Line #

R Suffix = High Durability Sintered Pad. HH Suffix = High Performance Sintered Pad. TT Suffix = Hard Wearing Off Road Pad. V Suffix = Semi Sintered Pad. G Suffix = Grooved Shoe.

D Suffix = Drilled Disc. X Suffix = Universal Left or Right Floating Disc. XC Suffix = Contoured Floating Disc. LS Suffix = Left/Steel Disc. RS Suffix = Right/Steel Disc.

*-2 Sets Required. † For Vee disc colours add RED, BLU, GRN, GLD, ORG suffix to part number.

⊕ - Also available as a Vintage Motorcycle Disc. ★ - EPFA available. ⊕ Disc made of Billet steel. ◆ CE solid discs for Enduro use.

JAPANESE Built Motorcycles

BRAKE APPLICATIONS

Line #	BRAKE DISC CHOICES - FRONT			DISC PAD CHOICES - REAR				BRAKE DISC CHOICES - REAR					
	SMX Oversize 320mm Disc Kit Front Left	Front disc bolt kit	Front Brake Line	FA, SFA, TT Pad or Brake Shoe	SFAC Carbon Scooter Pads	Speciality Pads - SXR / Vee / MXS	Sintered HH/R Pads/ Grooved Shoes	Standard Replacement Disc	Contour Disc Rear Fitment	Vee Discs CONTOUR	CX Extreme MX Race Disc / UTVX Disc	Rear disc bolt kit	Rear Brake Line
1	SMX6728		BLM6100-1F	FA367TT		MXS367	FA367R				MD6190CX♦		
2				FA367TT		MXS367	FA367R	MD6190D			MD6190CX♦		
3				FA367TT		MXS367	FA367R	MD6135D	MD6135C		MD6135CX♦		
4				FA367TT		MXS367	FA367R				MD6190CX♦		
5				FA367TT		MXS367	FA367R				MD6135CX♦		
6				FA367TT		MXS367	FA367R	MD6190D			MD6190CX♦		
7				FA367TT		MXS367	FA367R				MD6135CX♦		
8				FA367TT		MXS367	FA367R	MD6135D	MD6135C		MD6135CX♦		
9				Y510			Y510G						
10				Y528			Y528G						
11				Y510			Y510G						
12				Y510			Y510G						
13				Y510			Y510G						
14				Y506			Y506G						
15				Y510			Y510G						
16				Y510			Y510G						
17				Y510			Y510G						
18				Y510			Y510G						
19				Y528			Y528G						
20		DB201/6		FA104		FA104V	FA104HH	MD2070⊕				DB201/6	
21		DB201/6		FA104		FA104V	FA104HH	MD2070⊕				DB201/6	
22			BLM2065-2F	Y510									
23				Y510									
24				Y510									
25				Y512									
26				FA152TT		MXS152	FA152R	MD6011D					
27				SFA319			SFA319HH	MD9143D		VR9143			
28				SFA319			SFA319HH	MD9143D		VR9143			
29				SFA319			SFA319HH	MD9143D		VR9143			
30				SFA319	SFAC319		SFA319HH	MD2011	MD2011C				
31				SFA408	SFAC408		SFA408HH	MD2011	MD2011C				
32				SFA408	SFAC408		SFA408HH	MD2011	MD2011C				
33				SFA319			SFA319HH	MD9143D		VR9143			
34				SFA408	SFAC408		SFA408HH	MD2011	MD2011C				
35				FA034				MD2025RS⊕					
36				Y510			Y510G						
37				SFA319			SFA319HH	MD9143D		VR9143			
38				SFA319			SFA319HH	MD9143D		VR9143			
39				SFA319			SFA319HH	MD9143D		VR9143			
40				SFA319			SFA319HH	MD9143D		VR9143			
41													
42				Y515									
43			BLM2131-1F	Y515									
44				Y512									
45													
46				Y512									
47				Y516									
48				Y510			Y510G						
49		DB201/6	BLM2141-3F	Y512									
50				FA445TT			FA445R	MD6292D*					
51				FA446TT			FA446R						
52				FA445TT			FA445R	MD6292D*					
53				FA446TT			FA446R						
54				Y514									
55				SFA319			SFA319HH	MD9143D		VR9143			
56				SFA319			SFA319HH	MD9143D		VR9143			
57		DB201/6	BLM2013-3F	FA104		FA104V	FA104HH	MD2002	MD2002C	VR2002			
58				FA174			FA174HH	MD2093	MD2093C	VR2093			
59			BLM2011-3F	FA174			FA174HH	MD2093	MD2093C	VR2093			
60			BLM2011-3F	FA174			FA174HH	MD2093	MD2093C	VR2093			

REAR / ARRIÈRE / HINTEN / POSTERIOR / POSTERIORE

*-2 Sets Required. † For Vee disc colours add RED, BLU, GRN, GLD, ORG suffix to part number.

⊕ - Also available as a Vintage Motorcycle Disc. ★ - EPFA available. ⊕ Disc made of Billet steel. ♦ CE solid discs for Enduro use.

Part numbers, prefixes, suffixes, photos and illustrations shown in this catalogue are trademarks and/or copyrights of EBC Brakes or the trademark owner A C Freeman Investments Ltd and use without express written permission of the owners is punishable by law.

R Suffix = High Durability Sintered Pad. HH Suffix = High Performance Sintered Pad. TT Suffix = Hard Wearing Off Road Pad. V Suffix = Semi Sintered Pad. G Suffix = Grooved Shoe. D Suffix = Drilled Disc. X Suffix = Universal Left or Right Floating Disc. XC Suffix = Contoured Floating Disc. LS Suffix = Left/Steel Disc. RS = Right/Steel Disc.

JAPANESE Built Motorcycles



YAMAHA Contd.



DISC PAD CHOICES - FRONT

BRAKE DISC CHOICES - FRONT

Model	Year	FA, SFA, TT Pad or Brake Shoe	SFAC Carbon Scooter Pads	Speciality Pads - SXR / Vee / MXS	Sintered/ HH Pads/ Grooved Shoes	Standard Replacement Discs	Contour Disc Universal Left and Right	Vee-Discs Black † See note below	CX Extreme Disc / UTVX Disc	OSX Oversize 250mm or 280mm	Line #
FZ6 Fazer S2 - Half Fairing	2007-2009	FA252*			FA252HH*★	MD2082X*	MD2082XC*	VR2082BLK*†			1
FZ6 Fazer S2 - Half Fairing	2008	FA252*			FA252HH*★	MD2082X*	MD2082XC*	VR2082BLK*†			2
FZ6 NS	2005-2006	FA199*			FA199HH*	MD2082X*	MD2082XC*	VR2082BLK*†			3
FZ6 S2	2007-2009	FA252*			FA252HH*★	MD2082X*	MD2082XC*	VR2082BLK*†			4
FZR 600	1989	FA088*		FA088V*	FA088HH*★	MD2001X*	MD2001XC*	VR2001BLK*†			5
FZR 600	1990-1993	FA160*			FA160HH*	MD2001X*	MD2001XC*	VR2001BLK*†			6
FZR 600 R	1994-1995	FA160*			FA160HH*	MD2001X*	MD2001XC*	VR2001BLK*†			7
FZS 600 Fazer	1998-2003	FA252*			FA252HH*★	MD2001X*	MD2001XC*	VR2001BLK*†			8
SRX 600	1986-1987	FA104*		FA104V*	FA104HH*	MD2011*	MD2011C*	VR2011*			9
SRX 600 1JK	1985	FA104*		FA104V*	FA104HH*	MD2011*	MD2011C*	VR2011*			10
SRX 600 3SX	1990	FA123			FA123HH	MD2003X	MD2003XC	VR2003BLK†			11
TT 600 E	1994-2001	FA181TT		MXS181	FA181R	MD6182D					12
TT 600 E 4GV2	1994-1995	FA181TT		MXS181	FA181R	MD6182D					13
TT 600 K	1993-1995	FA181TT		MXS181	FA181R	MD6182D					14
TT 600 K	1995-1996	FA181TT		MXS181	FA181R	MD6182D					15
TT 600 L	1984	Y508			Y508G						16
TT 600 N 59X	1985-1988	FA101TT		MXS101	FA101R	MD6039D					17
TT 600 R 5CH1	1997	FA181TT		MXS181	FA181R	MD6182D					18
TT 600 R 5CH2	1998-1999	FA181TT		MXS181	FA181R	MD6182D					19
TT 600 R 5CH3	2000-2002	FA181TT		MXS181	FA181R	MD6182D					20
TT 600 RE 5CH5	2004	FA181TT		MXS181	FA181R	MD6182D					21
TT 600 W 2JT/3SW1	1989-1992	FA105TT			FA105R	MD6039D					22
XJ 600	1984-1991	FA088*		FA088V*	FA088HH*★	MD2011*	MD2011C*	VR2011*			23
XJ 600 N	1995-1997	FA179		FA179V	FA179HH	MD2031LS					24
XJ 600 N	1998-2003	FA199*			FA199HH*	MD2074X*	MD2074XC*	VR2074BLK*†			25
XJ 600 S Diversion	1992-1997	FA179		FA179V	FA179HH	MD2031LS					26
XJ 600 S Diversion	1998-2003	FA199*			FA199HH*	MD2074X*	MD2074XC*	VR2074BLK*†			27
XJ6-F Diversion 600cc Faired	2010-2013	FA199*			FA199HH*	MD2082X*	MD2082XC*	VR2082BLK*†			28
XJ6-F Diversion 600cc Faired	2013-2015	FA199*			FA199HH*	MD2082X*	MD2082XC*	VR2082BLK*†			29
XJ6-N Diversion 600cc	2013-2015	FA199*			FA199HH*	MD2082X*	MD2082XC*	VR2082BLK*†			30
XJ6-S Diversion 600cc Top Fairing	2009-2013	FA199*			FA199HH*	MD2082X*	MD2082XC*	VR2082BLK*†			31
XJ6-S Diversion 600cc Top Fairing	2013-2015	FA199*			FA199HH*	MD2082X*	MD2082XC*	VR2082BLK*†			32
XJ6-SP Diversion 600cc	2013	FA199*			FA199HH*	MD2082X*	MD2082XC*	VR2082BLK*†			33
XT 600	1984-1986	FA081		FA081V		MD6070D					34
XT 600	1987	FA118				MD6070D					35
XT 600 600 Z Tenere	1988-1990	FA118				MD6070D					36
XT 600 E	1992-1994	FA172TT			FA172R	MD6070D					37
XT 600 E	1995-2003	FA172TT			FA172R	MD6116D					38
XT 600 Z Tenere	1984	FA081		FA081V		MD6070D					39
XT 600 Z Tenere	1985-1988	FA118				MD6070D					40
YFM 600 Grizzly	1998-2001	FA084TT*			FA084R*	MD6140D*					41
YFM 600 Grizzly Hunting	2000	FA084TT*			FA084R*	MD6140D*					42
YX 600 Radian	1986-1990	FA088*		FA088V*	FA088HH*★	MD2011*	MD2011C*	VR2011*			43
YZF 600 R Thundercat	1996-2003	FA252*			FA252HH*★	MD2074X*	MD2074XC*	VR2074BLK*†			44
YZF-R6	1999-2002	FA252*			FA252HH*★	MD2074X*	MD2074XC*	VR2074BLK*†			45
YZF-R6	2003-2004	FA252*			FA252HH*★	MD2082X*	MD2082XC*	VR2082BLK*†			46
YZF-R6	2005-2007				FA380HH*★	MD2095X*	MD2095XC*	VR2095BLK*†			47
YZF-R6	2008-2016				FA380HH*★	MD2105X*	MD2105XC*	VR2105BLK*†			48
YZF-R6	2017-2022				FA380HH*★	MD2124X*	MD2124XC*	VR2124BLK*†			49
XJ 650	Left 1980-1984	FA034*		FA034V*		MD2019LS					50
XJ 650	Right 1980-1984					MD2019RS					51
XJ 650 LH Midnight	1981	FA061				MD2023LS⊗					52
XJ 650 LK Seca	1983	FA081*		FA081V*		MD2011*	MD2011C*	VR2011*			53
XJ 650 Maxim	1980-1983	FA061				MD2023LS⊗					54
XJ 650 RJ Seca	Left 1982	FA034*		FA034V*		MD2019LS					55
XJ 650 RJ Seca	Right 1982					MD2019RS					56
XJ 650 Turbo	1982	FA081*		FA081V*		MD2011*	MD2011C*	VR2011*			57
XS 650	1975	FA011*									58
XS 650	1977-1981	FA034		FA034V		MD2025RS⊗					59
XS 650 SE	1979-1980	FA034		FA034V		MD2024⊗					60

FRONT / AVANT / VORN / FRENTE / ANTERIORE

R Suffix = High Durability Sintered Pad. HH Suffix = High Performance Sintered Pad. TT Suffix = Hard Wearing Off Road Pad. V Suffix = Semi Sintered Pad. G Suffix = Grooved Shoe.
D Suffix = Drilled Disc. X Suffix = Universal Left or Right Floating Disc. XC Suffix = Contoured Floating Disc. LS Suffix = Left/Steel Disc. RS = Right/Steel Disc.

*-2 Sets Required. † For Vee disc colours add RED, BLU, GRN, GLD, ORG suffix to part number.

⊗ - Also available as a Vintage Motorcycle Disc. ★ - EPFA available. ⊕ Disc made of Billet steel. ◆ CE solid discs for Enduro use.

JAPANESE Built Motorcycles

BRAKE APPLICATIONS

Line #	BRAKE DISC CHOICES - FRONT			DISC PAD CHOICES - REAR				BRAKE DISC CHOICES - REAR					
	SMX Oversize 320mm Disc Kit Front Left	Front disc bolt kit	Front Brake Line	FA, SFA, TT Pad or Brake Shoe	SFAC Carbon Scooter Pads	Speciality Pads - SXR / Vee / MXS	Sintered HH/R Pads/ Grooved Shoes	Standard Replacement Disc	Contour Disc Rear Fitment	Vee Discs CONTOUR	CX Extreme MX Race Disc / UTVX Disc	Rear disc bolt kit	Rear Brake Line
1			BLM2012-2F	FA174			FA174HH	MD2093	MD2093C	VR2093			
2			BLM2012-2F	FA174			FA174HH	MD2093	MD2093C	VR2093			
3				FA174			FA174HH	MD2093	MD2093C	VR2093			
4				FA174			FA174HH	MD2093	MD2093C	VR2093			
5		DB201/6	BLM2026-3F	FA088			FA088HH★	MD2002	MD2002C	VR2002		DB201/6	
6		DB201/6	BLM2026-3F	FA088			FA088HH★	MD2002	MD2002C	VR2002		DB201/6	
7		DB201/6	BLM2028-2F	FA088			FA088HH★	MD2002	MD2002C	VR2002		DB201/6	
8		DB201/6	BLM2032-3F	FA104		FA104V	FA104HH	MD2002	MD2002C	VR2002			
9		DB201/6		FA104		FA104V	FA104HH	MD2002	MD2002C	VR2002		DB201/6	
10		DB201/6		FA104		FA104V	FA104HH	MD2002	MD2002C	VR2002		DB201/6	
11		DB201/6		FA104		FA104V	FA104HH	MD2002	MD2002C	VR2002		DB201/6	
12				FA208TT		MXS208	FA208R	MD6183D					
13				FA152/2TT		MXS152/2	FA152/2R	MD6183D					
14				FA152TT		MXS152	FA152R	MD6183D					
15				FA208TT		MXS208	FA208R	MD6183D					
16				Y506			Y506G						
17				Y527			Y527G						
18				FA208TT		MXS208	FA208R	MD6183D					
19				FA208TT		MXS208	FA208R	MD6183D					
20				FA208TT		MXS208	FA208R	MD6183D					
21				FA208TT		MXS208	FA208R	MD6183D					
22				Y527			Y527G						
23		DB201/6	BLM2084-3F	FA088			FA088HH★	MD2011	MD2011C	VR2011		DB201/6	
24			BLM2085-1F	FA104		FA104V	FA104HH	MD2002	MD2002C	VR2002			
25			BLM2086-2F	FA104		FA104V	FA104HH	MD2002	MD2002C	VR2002			
26			BLM2087-1F	FA104		FA104V	FA104HH	MD2002	MD2002C	VR2002			
27				FA104		FA104V	FA104HH	MD2002	MD2002C	VR2002			
28				FA140		FA140V	FA140HH	MD2117		VR2117			
29				FA174			FA174HH	MD2117		VR2117			
30				FA174			FA174HH	MD2117		VR2117			
31			BLM2083-2F	FA140		FA140V	FA140HH	MD2117		VR2117			
32				FA174			FA174HH	MD2117		VR2117			
33				FA174			FA174HH	MD2117		VR2117			
34				Y510			Y510G						
35				FA101TT			FA101R	MD6072D					
36			BLM2118-1F	FA101TT			FA101R	MD6072D					
37				FA101TT			FA101R	MD6072D					
38			BLM2119-1F	FA101TT			FA101R	MD6072D					
39				Y510			Y510G						
40				Y510			Y510G						
41				Y516			Y516G						
42				Y516			Y516G						
43		DB201/6		Y512									
44			BLM2144-2F	FA088			FA088HH★	MD2002	MD2002C	VR2002			
45				FA275			FA275HH	MD2084	MD2084C	VR2084			
46			BLM2046-2F	FA174			FA174HH	MD2091	MD2091C	VR2091			
47			BLM2047-3F	FA174			FA174HH	MD2091	MD2091C	VR2091			
48				FA174			FA174HH	MD2091	MD2091C	VR2091			
49				FA436			FA436HH	MD2091	MD2091C	VR2091			
50													
51				Y515									
52				Y512									
53		DB201/6		Y515									
54			BLM2088-3F	Y512									
55													
56				Y515									
57		DB201/6	BLM2089-3F	Y515									
58			BLM2107-3F	Y514									
59			BLM2105-2F	Y514									
60				FA034				MD2025RSⓈ					

REAR / ARRIÈRE / HINTEN / POSTERIOR / POSTERIORE

R Suffix = High Durability Sintered Pad. **HH** Suffix = High Performance Sintered Pad. **TT** Suffix = Hard Wearing Off Road Pad. **V** Suffix = Semi Sintered Pad. **G** Suffix = Grooved Shoe. **D** Suffix = Drilled Disc. **X** Suffix = Universal Left or Right Floating Disc. **XC** Suffix = Contoured Floating Disc. **LS** Suffix = Left/Steel Disc. **RS** = Right/Steel Disc.

*-2 Sets Required. † For Vee disc colours add RED, BLU, GRN, GLD, ORG suffix to part number.

Ⓢ - Also available as a Vintage Motorcycle Disc. ★ - EPFA available. Ⓢ - Disc made of Billet steel. ◆ - CE solid discs for Enduro use.

Part numbers, prefixes, suffixes, photos and illustrations shown in this catalogue are trademarks and/or copyrights of EBC Brakes or the trademark owner A C Freeman Investments Ltd and use without express written permission of the owners is punishable by law.

JAPANESE Built Motorcycles



YAMAHA Contd.



DISC PAD CHOICES - FRONT

BRAKE DISC CHOICES - FRONT

FA, SFA, TT Pad or Brake Shoe	SFAC Carbon Scooter Pads	Speciality Pads - SXR / Vee / MXS	Sintered/HH Pads/ Grooved Shoes	Standard Replacement Discs	Contour Disc Universal Left and Right	Vee-Discs Black † See note below	CX Extreme Disc / UTVX Disc	OSX Oversize 250mm or 280mm
FA034		FA034V		MD2024				
FA179		FA179V	FA179HH	MD2076				
FA179		FA179V	FA179HH	MD2076				
FA199*			FA199HH*	MD2082X*	MD2082XC*	VR2082BLK*†		
FA095			FA095HH★	MD2003X	MD2003XC	VR2003BLK*†		
FA209/2			FA209/2HH★	MD6235D				
FA244			FA244HH★	MD6226D				
FA181TT*		MXS181*	FA181R*	MD6235D*				
FA181TT*		MXS181*	FA181R*	MD6235D*				
FA172TT			FA172R	MD6116D				
FA084TT*		MXS084*	FA084R*	MD6189D*				
FA084TT*		MXS084*	FA084R*	MD6189D*				
FA084TT*		MXS084*	FA084R*	MD6054D*				
FA135TT		MXS135	FA135R	MD6241D*			UTVX6241*	
FA165TT		MXS165	FA165R					
FA088*		FA088V*	FA088HH*★	MD2011*	MD2011C*	VR2011*		
FA252*			FA252HH*★	MD2127X*	MD2127XC*	VR2127BLK*†		
FA252*			FA252HH*★	MD2127X*	MD2127XC*	VR2127BLK*†		
FA252*			FA252HH*★	MD2127X*	MD2127XC*	VR2127BLK*†		
FA181TT*		MXS181*	FA181HH*	MD2127X*	MD2127XC*			
FA181TT*		MXS181*	FA181HH*	MD2127X*	MD2127XC*			
FA181TT*		MXS181*	FA181HH*	MD2127X*	MD2127XC*			
FA181TT*		MXS181*	FA181HH*	MD2127X*	MD2127XC*			
FA181TT*		MXS181*	FA181HH*	MD2127X*	MD2127XC*			
FA181TT*		MXS181*	FA181HH*	MD2127X*	MD2127XC*			
FA252*			FA252HH*★	MD2127X*	MD2127XC*	VR2127BLK*†		
FA252*			FA252HH*★	MD2127X*	MD2127XC*	VR2127BLK*†		
FA252*			FA252HH*★	MD2127X*	MD2127XC*	VR2127BLK*†		
FA252*			FA252HH*★	MD2127X*	MD2127XC*	VR2127BLK*†		
FA252*			FA252HH*★	MD2127X*	MD2127XC*	VR2127BLK*†		
FA443TT			FA443R	MD6291D*				
FA444TT			FA444R					
FA443TT			FA443R	MD6291D*				
FA444TT			FA444R					
FA443TT			FA443R	MD6291D*				
FA444TT			FA444R					
FA443TT			FA443R	MD6291D*				
FA444TT			FA444R					
FA443TT			FA443R	MD6291D*				
FA444TT			FA444R					
FA443TT			FA443R	MD6291D*				
FA444TT			FA444R					
FA443TT			FA443R	MD6291D*				
FA444TT			FA444R					
FA443TT			FA443R	MD6291D*				
FA444TT			FA444R					
FA165TT		MXS165	FA165R	MD6054D*				
FA135TT		MXS135	FA135R					
FA165TT		MXS165	FA165R	MD6054D*				
FA135TT		MXS135	FA135R					
FA165TT		MXS165	FA165R	MD6054D*				
FA135TT		MXS135	FA135R					
FA642TT			FA642R	MD6382D*			UTVX6382*	
FA645TT			FA645R					
FA642TT			FA642R	MD6382D*			UTVX6382*	
FA645TT			FA645R					
FA642TT			FA642R	MD6382D*			UTVX6382*	
FA645TT			FA645R					
FA642TT			FA642R	MD6382D*			UTVX6382*	
FA645TT			FA645R					
FA165TT		MXS165	FA165R	MD6241D*			UTVX6241*	

FRONT / AVANT / VORN / FRENTE / ANTERIORE

Line #

R Suffix = High Durability Sintered Pad. HH Suffix = High Performance Sintered Pad. TT Suffix = Hard Wearing Off Road Pad. V Suffix = Semi Sintered Pad. G Suffix = Grooved Shoe.

D Suffix = Drilled Disc. X Suffix = Universal Left or Right Floating Disc. XC Suffix = Contoured Floating Disc. LS Suffix = Left/Steel Disc. RS Suffix = Right/Steel Disc.

*-2 Sets Required. † For Vee disc colours add RED, BLU, GRN, GLD, ORG suffix to part number.

⊗ - Also available as a Vintage Motorcycle Disc. ★ - EPFA available. ⚙ - Disc made of Billet steel. ♦ - CE solid discs for Enduro use.

JAPANESE Built Motorcycles

BRAKE APPLICATIONS

Line #	BRAKE DISC CHOICES - FRONT			DISC PAD CHOICES - REAR				BRAKE DISC CHOICES - REAR					
	SMX Oversize 320mm Disc Kit Front Left	Front disc bolt kit	Front Brake Line	FA, SFA, TT Pad or Brake Shoe	SFAC Carbon Scooter Pads	Speciality Pads - SXR / Vee / MXS	Sintered HH/R Pads/ Grooved Shoes	Standard Replacement Disc	Contour Disc Rear Fitment	Vee Discs CONTOUR	CX Extreme MX Race Disc / UTVX Disc	Rear disc bolt kit	Rear Brake Line
1				Y514									
2			BLM2138-1F	Y515									
3			BLM2137-1F	Y515									
4				FA213			FA213HH★	MD2093	MD2093C	VR2093			
5			BLM2067-1F	FA047			FA047HH	MD2021	MD2021C	VR2021			
6			BLM2120-1F	FA213			FA213HH★	MD6234D					
7			BLM2121-1F	FA213			FA213HH★	MD6234D					
8				FA208TT		MXS208	FA208R	MD6234D					
9				FA208TT		MXS208	FA208R	MD6234D					
10			BLM2119-1F	FA101TT			FA101R	MD6072D					
11				FA344TT			FA344R	MD6197D					
12				FA344TT			FA344R	MD6197D					
13				FA084TT			FA084R	MD6237D					
14				FA428TT			FA428R	MD6242D			UTVX6242		
15													
16		DB201/6		FA088			FA088HH★	MD2069⊕					
17				FA174			FA174HH	MD2120	MD2120C	VR2120			
18			BLM2153-3F	FA174			FA174HH	MD2120	MD2120C	VR2120			
19			BLM2153-3F	FA174			FA174HH	MD2120	MD2120C	VR2120			
20				FA208TT		MXS208	FA208R	MD2120	MD2120C	VR2120			
21				FA208TT		MXS208	FA208R	MD2120	MD2120C	VR2120			
22				FA208TT		MXS208	FA208R	MD2120	MD2120C	VR2120			
23				FA208TT		MXS208	FA208R	MD2120	MD2120C	VR2120			
24				FA208TT		MXS208	FA208R	MD2120	MD2120C	VR2120			
25				FA208TT		MXS208	FA208R	MD2120	MD2120C	VR2120			
26			BLM2160-3F	FA174			FA174HH	MD2120	MD2120C	VR2120			
27				FA174			FA174HH	MD2120	MD2120C	VR2120			
28			BLM2154-3F	FA174			FA174HH	MD2120	MD2120C	VR2120			
29				FA174			FA174HH	MD2120	MD2120C	VR2120			
30				FA174			FA174HH	MD2120	MD2120C	VR2120			
31				FA445TT			FA445R	MD6292D*					
32				FA446TT			FA446R						
33				FA445TT			FA445R	MD6292D*					
34				FA446TT			FA446R						
35													
36													
37													
38													
39													
40													
41													
42													
43													
44													
45				FA428TT			FA428R	MD6263D					
46													
47				FA323TT			FA323R	MD6263D					
48													
49				FA323TT			FA323R	MD6263D					
50													
51				FA674TT			FA674R	MD6382D*			UTVX6382*		
52				FA675TT			FA675R						
53				FA674TT			FA674R	MD6382D*			UTVX6382*		
54				FA675TT			FA675R						
55				FA674TT			FA674R	MD6382D*			UTVX6382*		
56				FA675TT			FA675R						
57				FA674TT			FA674R	MD6382D*			UTVX6382*		
58				FA675TT			FA675R						
59				Y534			Y534G						
60				FA165TT			FA165R	MD6332D*			UTVX6332*		

REAR / ARRIÈRE / HINTEN / POSTERIOR / POSTERIORE

*-2 Sets Required. † For Vee disc colours add RED, BLU, GRN, GLD, ORG suffix to part number.

⊕ - Also available as a Vintage Motorcycle Disc. ★ - EPFA available. ⊕ Disc made of Billet steel. ◆ CE solid discs for Enduro use.

Part numbers, prefixes, suffixes, photos and illustrations shown in this catalogue are trademarks and/or copyrights of EBC Brakes or the trademark owner A C Freeman Investments Ltd and use without express written permission of the owners is punishable by law.

R Suffix = High Durability Sintered Pad. HH Suffix = High Performance Sintered Pad. TT Suffix = Hard Wearing Off Road Pad. V Suffix = Semi Sintered Pad. G Suffix = Grooved Shoe. D Suffix = Drilled Disc. X Suffix = Universal Left or Right Floating Disc. XC Suffix = Contoured Floating Disc. LS Suffix = Left/Steel Disc. RS = Right/Steel Disc.

JAPANESE Built Motorcycles



YAMAHA Contd.



DISC PAD CHOICES - FRONT

BRAKE DISC CHOICES - FRONT

			FA, SFA, TT Pad or Brake Shoe	SFAC Carbon Scooter Pads	Speciality Pads - SXR / Vee / MXS	Sintered/HH Pads/ Grooved Shoes	Standard Replacement Discs	Contour Disc Universal Left and Right	Vee-Discs Black † See note below	CX Extreme Disc / UTVX Disc	OSX Oversize 250mm or 280mm	Line #
	Right	2011-2013	FA135TT		MXS135	FA135R						1
YXR 700 Rhino 4 x 4 SE	Left	2009	FA165TT		MXS165	FA165R	MD6241D*			UTVX6241*		2
	Right	2009	FA135TT		MXS135	FA135R						3
YZF-R7		2022-2024				FA252HH*★	MD2119X*					4
FZ 750		1985-1986	FA088*		FA088V*	FA088HH*★	MD2069*⊕					5
FZ 750		1987-1988	FA088*		FA088V*	FA088HH*★	MD2011*	MD2011C*	VR2011*			6
FZ 750		1989-1991	FA123*			FA123HH*	MD2001X*	MD2001XC*	VR2001BLK*†			7
FZR 750 Genesis		1987	FA123*			FA123HH*	MD2003X*	MD2003XC*	VR2003BLK*†			8
FZR 750 R OW01		1989-1990	FA145*			FA145HH*★	MD2009LS					9
FZR 750 R OW01		1989-1990	FA145*			FA145HH*★	MD2009RS					10
FZX 750		1987	FA088*		FA088V*	FA088HH*★	MD2011*	MD2011C*	VR2011*			11
XJ 750	Left	1982-1984	FA070*		FA070V*		MD2023LS⊕					12
	Right	1982-1984					MD2023RS					13
XJ 750 Seca	Left	1981-1983	FA070*		FA070V*		MD2023LS⊕					14
	Right	1981-1983					MD2023RS					15
XS 750	Left	1977-1979	FA034*		FA034V*		MD2025LS⊕					16
	Right	1977-1979					MD2025RS⊕					17
XS 750 SE	Left	1979-1980	FA061		FA061V		MD2025LS⊕					18
	Right	1979-1980	FA041		FA041V		MD2025RS⊕					19
XTZ 750 Super Tenere	Left	1989-1995	FA135TT		MXS135	FA135R	MD6118D*					20
	Right	1989-1995	FA165TT		MXS165	FA165R						21
XV 750 SE		1981	FA061		FA061V		MD2024⊕					22
XV 750 Virago		1992-1993	FA088*		FA088V*	FA088HH*★	MD2011*	MD2011C*	VR2011*			23
XV 750 Virago		1994-1997	FA179*		FA179V*	FA179HH*	MD2067*					24
YZF 750 R/SP		1993-1997	FA190*			FA190HH*★	MD2003X*	MD2003XC*	VR2003BLK*†			25
YZF-R7 750 OW02		1999-2001	FA252*			FA252HH*★	MD2083*					26
YZF-R7 750 OW02 Race Model		1999-2001	FA424*			FA424HH*						27
Fazer 8 S-800cc		2011-2015				FA380HH*★	MD2095X*	MD2095XC*	VR2095BLK*†			28
Fazer 8 SA-800cc		2011-2015				FA380HH*★	MD2095X*	MD2095XC*	VR2095BLK*†			29
FZ 8 N-800cc		2011-2015				FA380HH*★	MD2095X*	MD2095XC*	VR2095BLK*†			30
FZ 8 NA-800cc		2011-2015				FA380HH*★	MD2095X*	MD2095XC*	VR2095BLK*†			31
Niken GT MXT 850D		2019-2020				FA380HH*★						32
Niken MXT 850		2018-2022				FA380HH*★						33
TDM 850		1991-1995	FA123*		FA123V*	FA123HH*	MD2001X*	MD2001XC*	VR2001BLK*†			34
TDM 850		1996-2001	FA160*			FA160HH*	MD2001X*	MD2001XC*	VR2001BLK*†			35
TRX 850		1996-1999	FA123*		FA123V*	FA123HH*	MD2001X*	MD2001XC*	VR2001BLK*†			36
Wolverine X2 EPS YXE85W	Left	2021-2022	FA642TT			FA642R	MD6382D*			UTVX6382*		37
	Right	2021-2022	FA645TT			FA645R						38
Wolverine X2 R-Spec Alu EPS R S YXE85	Left	2021-2022	FA642TT			FA642R	MD6382D*			UTVX6382*		39
	Right	2021-2022	FA645TT			FA645R						40
Wolverine X4 EPS YXF85	Left	2021-2022	FA642TT			FA642R	MD6382D*			UTVX6382*		41
	Right	2021-2022	FA645TT			FA645R						42
XS 850		1980	FA034*		FA034V*		MD2024*⊕					43
MT-09 1RC		2014-2016	FA252*			FA252HH*★	MD2119X*	MD2119XC*	VR2119BLK*†			44
MT-09 A 2DR		2014-2016	FA252*			FA252HH*★	MD2119X*	MD2119XC*	VR2119BLK*†			45
MT-09 A Sport Tracker		2014-2016	FA252*			FA252HH*★	MD2119X*	MD2119XC*	VR2119BLK*†			46
MT-09 A Street Rally		2014-2016	FA252*			FA252HH*★	MD2119X*	MD2119XC*	VR2119BLK*†			47
MT-09 MTN 890		2017-2024	FA252*			FA252HH*★	MD2119X*	MD2119XC*	VR2119BLK*†			48
MT-09 SP DX		2024				FA447HH*★	MD2119X*	MD2119XC*	VR2119BLK*†			49
MT-09 SP MTN 890D		2018-2024	FA252*			FA252HH*★	MD2119X*	MD2119XC*	VR2119BLK*†			50
TDM 900 5PS		2002-2014	FA252*			FA252HH*★	MD2074X*	MD2074XC*	VR2074BLK*†			51
TDM 900 A 2B0		2005-2013	FA252*			FA252HH*★	MD2074X*	MD2074XC*	VR2074BLK*†			52
Tracer 900		2015-2023	FA252*			FA252HH*★	MD2119X*	MD2119XC*	VR2119BLK*†			53
Tracer 900 GT		2018-2023	FA252*			FA252HH*★	MD2082X*					54
Tracer 900 GT+		2023-2024	FA252*			FA252HH*★	MD2082X*					55
XJ 900 F		1983-1986	FA088*		FA088V*	FA088HH*★	MD2069*⊕					56
XJ 900 F		1987-1994	FA088*		FA088V*	FA088HH*★	MD2011*	MD2011C*	VR2011*			57
XJ 900 S Diversion		1995-2003	FA179*		FA179V*	FA179HH*	MD2012*					58
XSR 900 Abarth MTM 850		2017-2018				FA380HH*★	MD2119X*	MD2119XC*	VR2119BLK*†			59
XSR 900 MTM 850		2016-2024				FA380HH*★	MD2119X*	MD2119XC*	VR2119BLK*†			60

FRONT / AVANT / VORN / FRENTE / ANTERIORE

R Suffix = High Durability Sintered Pad. HH Suffix = High Performance Sintered Pad. TT Suffix = Hard Wearing Off Road Pad. V Suffix = Semi Sintered Pad. G Suffix = Grooved Shoe.
D Suffix = Drilled Disc. X Suffix = Universal Left or Right Floating Disc. XC Suffix = Contoured Floating Disc. LS Suffix = Left/Steel Disc. RS = Right/Steel Disc.

*-2 Sets Required. † For Vee disc colours add RED, BLU, GRN, GLD, ORG suffix to part number.

⊕ - Also available as a Vintage Motorcycle Disc. ★ - EPFA available. ⊕ Disc made of Billet steel. ◆ CE solid discs for Enduro use.

JAPANESE Built Motorcycles

BRAKE APPLICATIONS

Line #	BRAKE DISC CHOICES - FRONT			DISC PAD CHOICES - REAR				BRAKE DISC CHOICES - REAR					
	SMX Oversize 320mm Disc Kit Front Left	Front disc bolt kit	Front Brake Line	FA, SFA, TT Pad or Brake Shoe	SFAC Carbon Scooter Pads	Speciality Pads - SXR / Vee / MXS	Sintered HH/R Pads/ Grooved Shoes	Standard Replacement Disc	Contour Disc Rear Fitment	Vee Discs CONTOUR	CX Extreme MX Race Disc / UTVX Disc	Rear disc bolt kit	Rear Brake Line
1				FA135TT			FA135R						
2				FA165TT			FA165R	MD6332D*			UTVX6332*		
3				FA135TT			FA135R						
4				FA174			FA174HH	MD2120	MD2120C	VR2120			
5		DB201/6	BLM2014-3F	FA088			FA088HH★	MD2069♣					
6		DB201/6	BLM2015-3F	FA088			FA088HH★	MD2011	MD2011C	VR2011			
7		DB201/6		FA088			FA088HH★	MD2011	MD2011C	VR2011			
8		DB201/6		FA088			FA088HH★	MD2011	MD2011C	VR2011			
9			BLM2030-2F	FA088			FA088HH★	MD2002	MD2002C	VR2002			
10			BLM2030-2F	FA088			FA088HH★	MD2002	MD2002C	VR2002			
11		DB201/6		FA088			FA088HH★	MD2069♣					
12													
13				Y515									
14													
15				Y515									
16													
17				FA034				MD2025RS♣					
18													
19				FA034				MD2025RS♣					
20				FA165/2TT			FA165/2R	MD6119D					BLM2124-1R
21													
22				Y512									
23		DB201/6	BLM2133-3F	Y512									
24		DB201/6	BLM2133-3F	Y515									
25		DB201/6	BLM2145-2F	FA088			FA088HH★	MD2002	MD2002C	VR2002			
26				FA267			FA267HH	MD2086	MD2086C	VR2086			
27													
28							FA174HH	MD2116	MD2116C	VR2116			
29							FA174HH	MD2116	MD2116C	VR2116			
30							FA174HH	MD2116	MD2116C	VR2116			
31							FA174HH	MD2116	MD2116C	VR2116			
32							FA174HH						
33							FA174HH						
34		DB201/6	BLM2069-3F	FA088			FA088HH★	MD2002	MD2002C	VR2002			
35		DB201/6	BLM2069-3F	FA088			FA088HH★	MD2002	MD2002C	VR2002			
36		DB201/6	BLM2074-2F	FA088			FA088HH★	MD2002	MD2002C	VR2002			
37				FA674TT			FA674R	MD6382D*			UTVX6382*		
38				FA675TT			FA675R						
39				FA674TT			FA674R	MD6382D*			UTVX6382*		
40				FA675TT			FA675R						
41				FA674TT			FA674R	MD6382D*			UTVX6382*		
42				FA675TT			FA675R						
43				FA034				MD2024♣					
44			BLM2037-2F	FA174			FA174HH	MD2120	MD2120C	VR2120			
45				FA174			FA174HH	MD2120	MD2120C	VR2120			
46				FA174			FA174HH	MD2120	MD2120C	VR2120			
47				FA174			FA174HH	MD2120	MD2120C	VR2120			
48				FA174			FA174HH	MD2120	MD2120C	VR2120			
49				FA174			FA174HH	MD2120	MD2120C	VR2120			
50				FA174			FA174HH	MD2120	MD2120C	VR2120			
51			BLM2071-3F	FA319/2			FA319/2HH	MD2002	MD2002C	VR2002			
52				FA319/2			FA319/2HH	MD2002	MD2002C	VR2002			
53				FA174			FA174HH	MD2120	MD2120C	VR2120			
54				FA174			FA174HH	MD2120	MD2120C	VR2120			
55				FA174									
56		DB201/6	BLM2091-3F	FA088			FA088HH★	MD2069♣				DB201/6	
57		DB201/6	BLM2092-3F	FA088			FA088HH★	MD2069♣				DB201/6	
58		DB201/6	BLM2093-2F	FA088			FA088HH★	MD2011					
59				FA174			FA174HH	MD2120	MD2120C	VR2120			
60				FA174			FA174HH	MD2120	MD2120C	VR2120			

REAR / ARRIÈRE / HINTEN / POSTERIOR / POSTERIORE

*-2 Sets Required. † For Vee disc colours add RED, BLU, GRN, GLD, ORG suffix to part number.

♣ - Also available as a Vintage Motorcycle Disc. ★ - EPFA available. ♣ - Disc made of Billet steel. ◆ - CE solid discs for Enduro use.

Part numbers, prefixes, suffixes, photos and illustrations shown in this catalogue are trademarks and/or copyrights of EBC Brakes or the trademark owner A C Freeman Investments Ltd and use without express written permission of the owners is punishable by law.

R Suffix = High Durability Sintered Pad. HH Suffix = High Performance Sintered Pad. TT Suffix = Hard Wearing Off Road Pad. V Suffix = Semi Sintered Pad. G Suffix = Grooved Shoe. D Suffix = Drilled Disc. X Suffix = Universal Left or Right Floating Disc. XC Suffix = Contoured Floating Disc. LS Suffix = Left/Steel Disc. RS = Right/Steel Disc.

JAPANESE Built Motorcycles



YAMAHA Contd.



DISC PAD CHOICES - FRONT

BRAKE DISC CHOICES - FRONT

Model	Year	FA, SFA, TT Pad or Brake Shoe	SFAC Carbon Scooter Pads	Speciality Pads - SXR / Vee / MXS	Sintered/HH Pads/ Grooved Shoes	Standard Replacement Discs	Contour Disc Universal Left and Right	Vee-Discs Black † See note below	CX Extreme Disc / UTVX Disc	OSX Oversize 250mm or 280mm	Line #
XSR 900GP MTM 850	2024				FA380HH*★	MD2082X*	MD2082XC*				1
SCR 950 XVS 950XR-A	2017-2021	FA179		FA179V	FA179HH						2
XV 950 CU - 1XC1	2014-2016	FA179		FA179V	FA179HH						3
XV 950 R - 2DE	2014-2020	FA179		FA179V	FA179HH		MD2074XC				4
XV 950 Racer	2015-2016	FA179		FA179V	FA179HH						5
XV 950 XVS 950	2014	FA179		FA179V	FA179HH						6
XVS 950 A Midnight Star	2009-2013	FA179		FA179V	FA179HH	MD2089X	MD2089XC	VR2089BLK*†			7
FZ1 2D1 1000cc	2006-2009				FA380HH*★	MD2101X*	MD2101XC*	VR2101BLK*†			8
FZ1 Fazer	2008-2015				FA380HH*★	MD2101X*	MD2101XC*	VR2101BLK*†			9
FZ1 Fazer 3C3	2006-2015				FA380HH*★	MD2101X*	MD2101XC*	VR2101BLK*†			10
FZ1 N/VA	2010-2015				FA380HH*★	MD2101X*	MD2101XC*	VR2101BLK*†			11
FZR 1000 EX UP	1989-1990	FA160*			FA160HH*	MD2003X*	MD2003XC*	VR2003BLK*†			12
FZR 1000 EX UP	1991-1993	FA182*			FA182HH*	MD2003X*	MD2003XC*	VR2003BLK*†			13
FZR 1000 EX UP	1994-1995	FA190*			FA190HH*★	MD2003X*	MD2003XC*	VR2003BLK*†			14
FZR 1000 Genesis	1987-1988	FA123*			FA123HH*	MD2003X*	MD2003XC*	VR2003BLK*†			15
FZS 1000 Fazer	2001-2005	FA252*			FA252HH*★	MD2074X*	MD2074XC*	VR2074BLK*†			16
GTS 1000	1993-1999	FA191									17
MT-01 1670cc	2005-2006				FA380HH*★	MD2126X*	MD2126XC*	VR2126BLK*†			18
MT-01 1670cc	2007-2009	FA442/4*			FA442/4HH*★	MD2128X*	MD2128XC*	VR2128BLK*†			19
MT-01 S 1670cc	2009	FA442/4*			FA442/4HH*★	MD2128X*	MD2128XC*	VR2128BLK*†			20
MT-10 MTN1000	2016-2024				FA380HH*★	MD2124X*	MD2124XC*	VR2124BLK*†			21
MT-10 SP DX	2023-2024				FA380HH*★	MD2124X*	MD2124XC*	VR2124BLK*†			22
MT-10 SP MTN 1000D	2017-2024				FA380HH*★	MD2124X*	MD2124XC*	VR2124BLK*†			23
MT-10 Tourer Edition	2018-2020				FA380HH*★	MD2124X*	MD2124XC*	VR2124BLK*†			24
XV 1000 SE Virago	1988	FA088*		FA088V*	FA088HH*★	MD2011*	MD2011C*	VR2011*			25
XV 1000 TR1	Left 1981	FA034*		FA034V*		MD2019LS					26
	Right 1981					MD2019RS					27
XV 1000 Virago	1986	FA088*		FA088V*	FA088HH*★	MD2011*	MD2011C*	VR2011*			28
YZF 1000 R Thunderace	1996-2001	FA252*			FA252HH*★	MD2074X*	MD2074XC*	VR2074BLK*†			29
YZF-R1	1998-2001	FA252*			FA252HH*★	MD2074X*	MD2074XC*	VR2074BLK*†			30
YZF-R1	2002-2003	FA252*			FA252HH*★	MD2074X*	MD2074XC*	VR2074BLK*†			31
YZF-R1	2004-2006				FA380HH*★	MD2094X*	MD2094XC*	VR2094BLK*†			32
YZF-R1	2007-2008	FA442/4*			FA442/4HH*★	MD2102X*	MD2102XC*	VR2102BLK*†			33
YZF-R1	2009-2014	FA442/4*			FA442/4HH*★	MD2102X*	MD2102XC*	VR2102BLK*†			34
YZF-R1	2015-2024				FA380HH*★	MD2124X*	MD2124XC*	VR2124BLK*†			35
YZF-R1 60th Ann Ed	2016				FA380HH*★	MD2124X*	MD2124XC*	VR2124BLK*†			36
YZF-R1 M	2015-2024				FA380HH*★	MD2124X*	MD2124XC*	VR2124BLK*†			37
YZF-R1 MI Mission	2020				FA390HH*★	MD2124X*	MD2124XC*	VR2124BLK*†			38
YZF-R1 SP 4B1	2006				FA380HH*★	MD2112X*					39
BT 1100 Bulldog	2002-2006	FA252*			FA252HH*★	MD2074X*	MD2074XC*	VR2074BLK*†			40
FJ 1100	1984-1985	FA088*		FA088V*	FA088HH*★	MD2068*⊕					41
XS 1100	1978-1980	FA034*		FA034V*		MD2024*⊕					42
XS 1100 S	1981	FA070*		FA070V*		MD2024*⊕					43
XS 1100 SG	Left 1980			FA061V		MD2024*⊕					44
	Right 1980	FA041		FA041V							45
XV 1100 Virago	1989-1993	FA088*		FA088V*	FA088HH*★	MD2011*	MD2011C*	VR2011*			46
XV 1100 Virago	1994-1998	FA179*		FA179V*	FA179HH*	MD2067*					47
XV 1100 Virago	1999	FA199*		FA199V*	FA199HH*	MD2067*					48
XVS 1100 A Dragstar Classic	2000-2006	FA199*		FA199V*	FA199HH*	MD2076*					49
XVS 1100 Dragstar	1999-2004	FA199*		FA199V*	FA199HH*	MD2076*					50
FJ 1200 3CV/3XW Type	1988-1995	FA123*			FA123HH*	MD2001X*	MD2001XC*	VR2001BLK*†			51
FJ 1200 A	1991-1995	FA160*			FA160HH*	MD2046*					52
FJ 1200 ITX Type	1986-1987	FA088*		FA088V*	FA088HH*★	MD2068*⊕					53
V-Max 12	1991-1992	FA088*		FA088V*	FA088HH*★	MD2068*⊕					54
V-Max 12	1993-2003	FA160*			FA160HH*	MD2129X*	MD2129XC*				55
XJR 1200	1995-1998	FA123*			FA123HH*	MD2003X*	MD2003XC*	VR2003BLK*†			56
XT 1200 Z Super Tenere	2010-2018				FA380HH*★		MD2095XC*	VR2095BLK*†			57
XT 1200 ZE Super Tenere	2014-2018				FA380HH*★		MD2095XC*	VR2095BLK*†			58
XT 1200 ZE Super Tenere Raid Edition	2018				FA380HH*★		MD2095XC*	VR2095BLK*†			59
XVZ 12 TD	1985	FA088*		FA088V*	FA088HH*★	MD2081*⊕					60

FRONT / AVANT / VORN / FRENTE / ANTERIORE

R Suffix = High Durability Sintered Pad. HH Suffix = High Performance Sintered Pad. TT Suffix = Hard Wearing Off Road Pad. V Suffix = Semi Sintered Pad. G Suffix = Grooved Shoe.

D Suffix = Drilled Disc. X Suffix = Universal Left or Right Floating Disc. XC Suffix = Contoured Floating Disc. LS Suffix = Left/Steel Disc. RS Suffix = Right/Steel Disc.

*-2 Sets Required. † For Vee disc colours add RED, BLU, GRN, GLD, ORG suffix to part number.

⊕ - Also available as a Vintage Motorcycle Disc. ★ - EPFA available. ⊕ Disc made of Billet steel. ◆ CE solid discs for Enduro use.

JAPANESE Built Motorcycles

BRAKE APPLICATIONS

Line #	BRAKE DISC CHOICES - FRONT			DISC PAD CHOICES - REAR				BRAKE DISC CHOICES - REAR					
	SMX Oversize 320mm Disc Kit Front Left	Front disc bolt kit	Front Brake Line	FA, SFA, TT Pad or Brake Shoe	SFAC Carbon Scooter Pads	Speciality Pads - SXR / Vee / MXS	Sintered HH/R Pads/ Grooved Shoes	Standard Replacement Disc	Contour Disc Rear Fitment	Vee Discs CONTOUR	CX Extreme MX Race Disc / UTVX Disc	Rear disc bolt kit	Rear Brake Line
1				FA174			FA174HH	MD2120	MD2120C	VR2120			
2				FA319/2			FA319/2HH		MD2130C				
3				FA319/2			FA319/2HH		MD2130C				
4				FA319/2			FA319/2HH		MD2130C				
5				FA319/2			FA319/2HH		MD2130C				
6				FA319/2			FA319/2HH		MD2130C				
7				FA319/2			FA319/2HH	MD2103	MD2103C	VR2103			
8				FA174			FA174HH	MD2093	MD2093C	VR2093			
9			BLM2010-3F	FA174			FA174HH	MD2093	MD2093C	VR2093			
10				FA174			FA174HH	MD2093	MD2093C	VR2093			
11				FA174			FA174HH	MD2093	MD2093C	VR2093			
12		DB201/6	BLM2018-2F	FA088			FA088HH★	MD2011	MD2011C	VR2011		DB201/6	
13		DB201/6	BLM2019-3F	FA088			FA088HH★	MD2011	MD2011C	VR2011		DB201/6	
14		DB201/6	BLM2021-3F	FA088			FA088HH★	MD2011	MD2011C	VR2011		DB201/6	
15		DB201/6	BLM2020-3F	FA088			FA088HH★	MD2011	MD2011C	VR2011		DB201/6	
16			BLM2031-3F	FA348			FA348HH	MD2011	MD2011C	VR2011			
17		DB201/6	BLM2034-7FR	FA088			FA088HH★	MD2075⚡					
18				FA196			FA196HH★	MD2011					
19				FA196			FA196HH★	MD2011					
20				FA196			FA196HH★	MD2011					
21							FA174HH	MD2091	MD2091C	VR2091			
22							FA174HH	MD2091	MD2091C	VR2091			
23							FA174HH	MD2091	MD2091C	VR2091			
24							FA174HH	MD2091	MD2091C	VR2091			
25		DB201/6		Y515									
26				Y515									
27													
28		DB201/6	BLM2126-3F	Y515									
29			BLM2143-2F	FA088			FA088HH★	MD2002	MD2002C	VR2002			
30			BLM2039-2F	FA267			FA267HH	MD2086	MD2086C	VR2086			
31				FA275			FA275HH	MD2087LS	MD2084C				
32							FA174HH	MD2091	MD2091C	VR2092			
33							FA174HH	MD2091	MD2091C	VR2091			
34							FA174HH	MD2091	MD2091C	VR2091			
35							FA436HH	MD2125	MD2125C	VR2125			
36							FA436HH	MD2125	MD2125C	VR2125			
37							FA436HH	MD2125	MD2125C	VR2125			
38							FA436HH	MD2125	MD2125C	VR2125			
39				FA174			FA174HH	MD2118					
40			BLM2000-3F	FA088			FA088HH★	MD2011	MD2011C	VR2011			
41		DB201/6		FA088			FA088HH★	MD2068⚡				DB201/6	
42			BLM2099-3F	FA034				MD2024⚡					
43			BLM2100-3F	FA034				MD2024⚡					
44													
45				FA034				MD2024⚡					
46		DB201/6		Y515									
47		DB201/6		Y515									
48		DB201/6		FA088			FA088HH★	MD2011					
49		DB201/6	BLM2136-3F	FA088			FA088HH★	MD2092					
50		DB201/6	BLM2135-3F	FA088			FA088HH★	MD2092					
51		DB201/6		FA088			FA088HH★	MD2068⚡				DB201/6	
52		DB201/6	BLM2006-6F	FA088			FA088HH★	MD2068⚡				DB201/6	
53		DB201/6		FA088			FA088HH★	MD2068⚡				DB201/6	
54		DB201/6	BLM2081-3F	FA088			FA088HH★	MD2068⚡				DB201/6	
55		DB201/6	BLM2081-3F	FA088			FA088HH★	MD2068⚡				DB201/6	
56		DB201/6	BLM2095-2F	FA088			FA088HH★	MD2011	MD2011C	VR2011			
57				FA319/2			FA319/2HH		MD2115C				
58				FA319/2			FA319/2HH		MD2115C				
59				FA319/2			FA319/2HH		MD2115C				
60		DB201/6		FA088			FA088HH★	MD2081⚡					

REAR / ARRIÈRE / HINTEN / POSTERIOR / POSTERIORE

*-2 Sets Required. † For Vee disc colours add RED, BLU, GRN, GLD, ORG suffix to part number.

⚡ - Also available as a Vintage Motorcycle Disc. ★ - EPFA available. ⚡ Disc made of Billet steel. ♦ CE solid discs for Enduro use.

Part numbers, prefixes, suffixes, photos and illustrations shown in this catalogue are trademarks and/or copyrights of EBC Brakes or the trademark owner A C Freeman Investments Ltd and use without express written permission of the owners is punishable by law.

R Suffix = High Durability Sintered Pad. HH Suffix = High Performance Sintered Pad. TT Suffix = Hard Wearing Off Road Pad. V Suffix = Semi Sintered Pad. G Suffix = Grooved Shoe. D Suffix = Drilled Disc. X Suffix = Universal Left or Right Floating Disc. XC Suffix = Contoured Floating Disc. LS Suffix = Left/Steel Disc. RS = Right/Steel Disc.

JAPANESE Built Motorcycles



YAMAHA Contd.



DISC PAD CHOICES - FRONT

BRAKE DISC CHOICES - FRONT

Model	Year	FA, SFA, TT Pad or Brake Shoe	SFAC Carbon Scooter Pads	Speciality Pads - SXR / Vee / MXS	Sintered/ HH Pads/ Grooved Shoes	Standard Replacement Discs	Contour Disc Universal Left and Right	Vee-Discs Black † See note below	CX Extreme Disc / UTVX Disc	OSX Oversize 250mm or 280mm	Line #
FJR 1300 5JW	2001-2004	FA252*			FA252HH*★	MD2074X*	MD2074XC*	VR2074BLK*†			1
FJR 1300 A	2003-2005	FA252*			FA252HH*★	MD2089X*	MD2089XC*	VR2089BLK*†			2
FJR 1300 A	2006-2020				FA423/4HH*	MD2089X*	MD2089XC*	VR2089BLK*†			3
FJR 1300 AE/ES	2014-2021				FA423/4HH*	MD2089X*	MD2089XC*	VR2089BLK*†			4
FJR 1300 AS	2006-2020				FA423/4HH*	MD2089X*	MD2089XC*	VR2089BLK*†			5
XJR 1300	1998-1999	FA244*			FA244HH*★	MD2003X*	MD2003XC*	VR2003BLK*†			6
XJR 1300	1999	FA252*			FA252HH*★	MD2074X*	MD2074XC*	VR2074BLK*†			7
XJR 1300	2000	FA252*			FA252HH*★	MD2074X*	MD2074XC*	VR2074BLK*†			8
XJR 1300	2000	FA252*			FA252HH*★	MD2074X*	MD2074XC*	VR2074BLK*†			9
XJR 1300	2005-2014	FA252*			FA252HH*★	MD2074X*	MD2074XC*	VR2074BLK*†			10
XJR 1300 C/Racer	2015-2016	FA252*			FA252HH*★	MD2074X*	MD2074XC*	VR2074BLK*†			11
XJR 1300 N/P	2001-2002	FA252*			FA252HH*★	MD2074X*	MD2074XC*	VR2074BLK*†			12
XJR 1300 R/S	2003-2004	FA252*			FA252HH*★	MD2074X*	MD2074XC*	VR2074BLK*†			13
XJR 1300 SP L	1999	FA252*			FA252HH*★	MD2074X*	MD2074XC*	VR2074BLK*†			14
XJR 1300 SP M	2000	FA252*			FA252HH*★	MD2074X*	MD2074XC*	VR2074BLK*†			15
XJR 1300 SP N	2001	FA252*			FA252HH*★	MD2074X*	MD2074XC*	VR2074BLK*†			16
XVS 1300 A Midnight Star	2007-2016	FA199*		FA199V*	FA199HH*	MD2074X*	MD2074XC*	VR2074BLK*†			17
XVS 1300 A Midnight Star	2011-2019	TBC*									18
XVS 1300 CU Custom	2014-2017	FA179		FA179V	FA179HH						19
XVS 1300 Midnight Star	2014-2016	FA199*		FA199V*	FA199HH*	MD2074X*	MD2074XC*	VR2074BLK*†			20
XVZ 13 Royal Star Inc Tour Classic	1996-2001	FA123*		FA123V*	FA123HH*	MD2076*					21
XVZ 1300 TF Venture Star	1999-2001	FA179*		FA179V*	FA179HH*	MD2076*					22
XV 1600 A Wildstar	1999-2004	FA179*		FA179V*	FA179HH*	MD2076*					23
XV 1700 PCR Road Star Warrior	2003-2005	FA252*			FA252HH*★	MD2074X*	MD2074XC*	VR2074BLK*†			24
XV 1700 V-Max	2009-2021	FA442/4*			FA442/4HH*★		MD2109XC*				25
XV 1900 A Midnight Star	2006-2008	FA252*			FA252HH*★	MD2074X*	MD2074XC*	VR2074BLK*†			26
XV 1900 A Midnight Star	2011-2013				FA423/4HH*						27
XV 1900 Midnight Star	2014-2016				FA423/4HH*						28
EC-03 Electric Bike	2011-2015	Y519									29
Neo-s Electric Scooter	2023-2024	SFA193	SFAC193		SFA193HH	MD943D	MD943C	VR943			30
											31
											32
											33
											34
											35
											36
											37
											38
											39
											40
											41
											42
											43
											44
											45
											46
											47
											48
											49
											50
											51
											52
											53
											54
											55
											56
											57
											58
											59
											60

FRONT / AVANT / VORN / FRENTE / ANTERIORE

R Suffix = High Durability Sintered Pad. HH Suffix = High Performance Sintered Pad. TT Suffix = Hard Wearing Off Road Pad. V Suffix = Semi Sintered Pad. G Suffix = Grooved Shoe.
D Suffix = Drilled Disc. X Suffix = Universal Left or Right Floating Disc. XC Suffix = Contoured Floating Disc. LS Suffix = Left/Steel Disc. RS = Right/Steel Disc.

*-2 Sets Required. † For Vee disc colours add RED, BLU, GRN, GLD, ORG suffix to part number.

⊗ - Also available as a Vintage Motorcycle Disc. ★ - EPFA available. ⚙ Disc made of Billet steel. ♦ CE solid discs for Enduro use.

JAPANESE Built Motorcycles

Line #	BRAKE DISC CHOICES - FRONT			DISC PAD CHOICES - REAR				BRAKE DISC CHOICES - REAR				
	SMX Oversize 320mm Disc Kit Front Left	Front disc bolt kit	Front Brake Line	FA, SFA, TT Pad or Brake Shoe	SFAC Carbon Scooter Pads	Speciality Pads - SXR / Vee / MXS	Sintered HH/R Pads/ Grooved Shoes	Standard Replacement Disc	Contour Disc Rear Fitment	Vee Discs CONTOUR	CX Extreme MX Race Disc / UTVX Disc	Rear disc bolt kit
1			BLM2007-3F	FA319/2			FA319/2HH	MD2092	MD2092C	VR2092		
2				FA319/2			FA319/2HH	MD2092	MD2092C	VR2092		
3				FA319/2			FA319/2HH	MD2100	MD2100C	VR2100		
4				FA319/2			FA319/2HH	MD2100	MD2100C	VR2100		
5				FA319/2			FA319/2HH	MD2100	MD2100C	VR2100		
6		DB201/6		FA088			FA088HH★	MD2011	MD2011C	VR2011		
7				FA088			FA088HH★	MD2011	MD2011C	VR2011		
8				FA088			FA088HH★	MD2011	MD2011C	VR2011		
9				FA267			FA267HH	MD2011	MD2011C	VR2011		
10				FA348			FA348HH	MD2011	MD2011C	VR2011		
11				FA348			FA348HH	MD2011	MD2011C	VR2011		
12				FA348			FA348HH	MD2011	MD2011C	VR2011		
13				FA348			FA348HH	MD2011	MD2011C	VR2011		
14			BLM2096-3F	FA088			FA088HH★	MD2011	MD2011C	VR2011		
15			BLM2096-3F	FA088			FA088HH★	MD2011	MD2011C	VR2011		
16			BLM2096-3F	FA088			FA088HH★	MD2011	MD2011C	VR2011		
17				FA319/2			FA319/2HH	MD2103	MD2103C	VR2103		
18				FA319/2			FA319/2HH	MD2103	MD2103C	VR2103		
19				FA319/2			FA319/2HH	MD2103				
20				FA319/2			FA319/2HH	MD2103	MD2103C	VR2103		
21		DB201/6	BLM2139-3F	FA123			FA123HH	MD2078♣				
22		DB201/6		FA123			FA123HH	MD2078♣				
23		DB201/6	BLM2129-3F	FA123			FA123HH	MD2088				
24				FA319/2			FA319/2HH	MD2092	MD2092C	VR2092		
25				FA319/2			FA319/2HH		MD2108C			
26			BLM2130-3F	FA319/2			FA319/2HH	MD2099				
27				FA319/2			FA319/2HH	MD2099				
28				FA319/2			FA319/2HH	MD2099				
29												
30				Y503								
31												
32												
33												
34												
35												
36												
37												
38												
39												
40												
41												
42												
43												
44												
45												
46												
47												
48												
49												
50												
51												
52												
53												
54												
55												
56												
57												
58												
59												
60												

REAR / ARRIÈRE / HINTEN / POSTERIOR / POSTERIORE

R Suffix = High Durability Sintered Pad. HH Suffix = High Performance Sintered Pad. TT Suffix = Hard Wearing Off Road Pad. V Suffix = Semi Sintered Pad. G Suffix = Grooved Shoe.
D Suffix = Drilled Disc. X Suffix = Universal Left or Right Floating Disc. XC Suffix = Contoured Floating Disc. LS Suffix = Left/Steel Disc. RS = Right/Steel Disc.

BRAKE APPLICATIONS

*-2 Sets Required. † For Vee disc colours add RED, BLU, GRN, GLD, ORG suffix to part number.

♣ - Also available as a Vintage Motorcycle Disc. ★ - EPFA available. ⚙ Disc made of Billet steel. ♦ CE solid discs for Enduro use.

ROAD RACING APPLICATIONS

Make & Model	Year	FRONT				REAR	
		Organic Pads	Sintered/HH Pads	Brake Disc Left	Brake Disc Right	Organic Pads	Brake Disc
HONDA							
RS 125	1988-1989	FA124	FA124HH			FA151	MD713
RS 125	1990-1994	FA226	EPFA226HH		MD1003X	FA151	MD713
RS 125 NF4	1987-1994	FA226	EPFA226HH		MD1003X	FA151	MD6007D
RS 125	1995-2003	FA239	EPFA239HH		MD1003X	FA151	MD713
RS 125 (Radial caliper)	2004-2007		GPFA347HH		MD1003X	FA151	MD713
NSF 250 R	2012-2019		GPFA347HH			FA151	
RS 250	1988-1989	FA124*	FA124HH*	MD1003X	MD1003X	FA151	MD724
RS 250	1990-1994	FA226*	EPFA226HH*	MD1003X	MD1003X	FA151	MD724
RS 250	1995-2002	FA239*	EPFA239HH*	MD1003X	MD1003X	FA151	MD724
MORIWAKI							
MD 250 H	2008-2013		GPFA347HH			FA151	
YAMAHA							
TZ 125	1994-1997	FA145	EPFA145HH*		MD711RD	FA162	MD732
TZ 250	1989-1990	FA145*	EPFA145HH*	MD711LD	MD711RD	FA162	MD732
TZ 250	1991	FA145*	EPFA145HH*	MD711LD	MD711RD	FA162	MD2021
TZ 250	1992-1996	FA145*	EPFA145HH*	MD711LD	MD711RD	FA162	MD732
TZ 250	1997-2001	FA145*	EPFA145HH*	MD730LD	MD730RD	FA162	MD732
TZ 250	1997-2001	FA145*	EPFA145HH*	MD2133	MD2133	FA162	MD732
TZ 250	1997-2001	FA145*	EPFA145HH	MD730LD	MD730RD	FA162	MD732
TZ 250 (Radial Caliper)	2002-2010		GPFA347HH*	MD730LD	MD730RD	FA162	MD732
TZ 350	1980-1990		GPFA743HH*	MD-TZ350/500	MD-TZ350/500	FA162	MD732
TZ 500	1980-1990			MD-TZ350/500	MD-TZ350/500		

PADS FOR AFTERMARKET CALIPERS

AMERICAN SUSPENSION	Standard Organic Pad	Semi-Organic Sintered Pad	Fully Sintered Pad	Fully Sintered Pad Track Day /Race Pad	Fully Sintered Race Pad
B17 Mach 8 Radial mount 4 Piston caliper					
B17 Mach 8 Standard mount 2 Piston caliper	FA018	FA018V			
P26 2 Piston Caliper	FA018	FA018V			
AP LOCKHEED					
2 Piston/2 Pin (CP2195/CP2696 -38E0)	FA016		FA016HH	EPFA016HH	GPFA016HH
2 Piston Sidecar Caliper (CP2576/2577/3176/3177/3178)					
2 Piston/1 Pin (CP4226 - 2S0)	FA272				
2 Piston/1 Pin (CP4227 - 2S0)	FA272				
6 Piston/No Pins (CP3366/67)	FA217				
6 Piston/2 Pins (CP4466)				EPFA263HH	
4 Piston (CP3086/CP3369/CP4484 D27)	FA107A				
4 Piston (CP4485/CP4679)	FA107/2A				
4 Piston Radial 2 Piece (CP4488)					
4 Piston (CP4680) 1 Piece Pad					
4 Piston Radial Mount/4 Separate Pads (CP6688 - 8E0M/9E0M)			FA435/4HH	EPFA435/4HH	
2 Piston/1 Pin (CP7003-2S0) Radial mount	FA272				
4 Piston Sidecar Caliper (CP7030-3S0/5S0)					
4 Piston Radial Monobloc 1 Piece Pad (CP7853 D27 2E0/3E0)					
BERINGER					
2 Piston Quad Caliper					
4 Piston (Old Design)	FA158		FA158HH	EPFA158HH	
4 Piston (Radial)			MXS405		
6 Piston (Old Design)	FA249		FA249HH	EPFA249HH	
6 Piston (Old design/2 piston)	FA047		FA047HH		
6 Piston (New Design)			MXS406	EPFA406HH	
BREMBO					
20 5161 43 or 81 - 2 Piston P 2/32 Rear caliper (Single Pad Fixing Pin/With Anti Rattle Shim)	FA047		FA047HH		
20 6950 51 - 2 Piston P2/32 Rear Caliper (Single Pad Fixing Pin/With Wire Clip)	FA266	FA266V	FA266HH	EPFA266HH	
20 6951 12/50/63 - P2/34 Rear Caliper (Single Pad Fixing Pin/With Wire Clip)	FA266	FA266V	FA266HH	EPFA266HH	
20 7850 11/21 - 4 Piston P4/34 @ 65mm Spacing (Wire clip pad retention Only)			FA322/4HH	EPFA322/4HH	

PADS FOR AFTERMARKET CALIPERS

BREMBO	Standard Organic Pad	Semi-Organic Sintered Pad	Fully Sintered Pad	Fully Sintered Pad Track Day /Race Pad	Fully Sintered Race Pad
20 8343 11/21 or 35/45 - 4 Piston P4/34 @ 100mm Spacing (Wire clip pad retention Only)			FA322/4HH	EPFA322/4HH	
220B01010 - GP4-RX 4 Piston Radial Mount @ 108mm Spacing			FA447HH	EPFA447HH	GPFAX447HH
X20-60-01 - 2 Piston P2/24 Rear Caliper Rear caliper @ 64mm Spacing					
X20-61-01 - 4 Piston P4/24 Rear Caliper Rear caliper @ 64mm Spacing					
X98-88-70 - 2 Piston P2/34 Rear Caliper Rear caliper @ 64mm Spacing					
X97.37.60/61 - 4 Piston Monobloc 32/36 Radial mount @ 108mm (Single Pin Fixing)			FA218HH	EPFA218HH	
20 5165 55/68 - Goldline 4 piston P4 30/34 @ 40mm Spacing (Single Pin pad Fixing)	FA095	FA095V	FA095HH	EPFA095HH	
20 6800 10/20 - Goldline 4 piston P4 30/34 @ 65mm Spacing (Two Pin Pad Fixing)	FA244	FA244V	FA244HH	EPFA244HH	GPFAX244HH
20 4756 52/62 - 4 Piston P4 30/34 @ 40mm Spacing (Single pin pad fixing)	FA095	FA095V	FA095HH	EPFA095HH	
X99.C04 60/61 - 4 Piston P34/34 Radial Mount Caliper @ 108mm Spacing (4 Pad Set)				EPFA435/4HH	
XA3.B8.30/31 - 4 Piston P32/36 Radial Mount Caliper @ 108mm Spacing (Titanium Pistons)				EPFA218/2HH	
XA3.B8.60/61 - 4 Piston P32/36 Radial Mount Caliper @ 108mm Spacing (Aluminium Pistons)				EPFA218/2HH	
XA3.J7.50/51 - 4 Piston P34/38 Radial Mount @ 108mm Spacing (Pinless Fixing)					GPFAX611HH
XA3.J7.60/61 - 4 Piston P34/38 Radial Mount @ 108mm Spacing (Pinless Fixing/Lithium Body)					GPFAX611HH
XA8.Y3.310/11 - 4 Piston P34/38 Radial Mount @ 130mm Spacing (Pinless Fixing)					GPFAX611HH
XA9 .33.10/11 - 4 Piston P32/36 Radial mount Monobloc @ 108mm Spacing (Single Pin Pad Fixing)				EPFA218/2HH	
XA07680 - 2 Piston P2 34 Radial Mount (Note Only Sold As Set Of 4 Pads)			FA435/4HH	EPFA435/4HH	
X1017.40/41 - 4 Piston/40mm Axial Monobloc Caliper				EPFA218/2HH	
XA7G2.40/41 - 4 Piston/100mm CNC Monobloc Caliper				EPFA218/2HH	
XA32950 P4/34 Axial Radial Mount 65mm - 4 Pad Set			FA322/4HH	EPFA322/4HH	
XA1K480 Motocross Radial Caliper					
XQ21361 P2/28 Off Road Caliper	FA181TT		FA181R	EPFA181HH	
122A99021 P2/24 Off Road Caliper	FA181TT		FA181R	EPFA181HH	
XQ21390 PF 26 Off Road Rear Caliper	FA368TT		FA368R	EPFA368HH	
120A44110 P2/34 Supersport Rear Caliper	FA266	FA266V	FA266HH	EPFA266HH	
206121 P4/24 Rear Caliper					
XA1J040 P2/30 Rear Caliper			FA730HH	EPFA730HH	GPFAX730HH
XA69510 P4 30/34 Motard Radial Mount 108mm 2 Pin Pad Fixing	FA244	FA244V	FA244HH	EPFA244HH	GPFAX244HH
XA78910 P4 30/34 Motard Radial Caliper 100mm Mount 2 Pin Pad Fixing	FA244	FA244V	FA244HH	EPFA244HH	GPFAX244HH
220A80310 P4 30/34 Radial Mount 100mm 2 Pin Pad Fixing	FA244	FA244V	FA244HH	EPFA244HH	GPFAX244HH
220A16820 P30/34 Yamaha R1 07-10 Radial Mount	FA244	FA244V	FA244HH	EPFA244HH	GPFAX244HH
XA7G2 10/11 P4 32/36 Radial Mount Caliper 100mm				EPFA218/2HH	
X97C4 60/61 P4/34 Radial Monobloc 108mm 4 Pad Type Caliper			FA435/4HH	EPFA435/4HH	
X9737 80/81 Radial Mount 108mm Endurance Caliper				EPFA295HH	
220A39710 P4/34 Radial Mount 108mm Monobloc Caliper			FA447HH	EPFA447HH	GPFAX447HH
220988530 P4/34 Radial Mount 100mm Monobloc Caliper			FA447HH	EPFA447HH	GPFAX447HH
220A0610 P4 30/34 Radial Mount Caliper 108mm 2 Pin Pad Fixing	FA244	FA244V	FA244HH	EPFA244HH	GPFAX244HH
220A80210 P4 30/34 Radial Mount Caliper 108mm 2 Pin Pad Fixing	FA244	FA244V	FA244HH	EPFA244HH	GPFAX244HH
220A16810 P4 30/34 Radial Mount Caliper 100mm 2 Pin Pad Fixing	FA244	FA244V	FA244HH	EPFA244HH	GPFAX244HH
20.9883 Radial Mount Caliper 100mm			FA447HH	EPFA447HH	GPFAX447HH
XB2P710/XB2P711 Endurance Caliper					
XB0B1 30/31 P4 30/34					GPFAX673HH
EBC					
4 Piston	FA216/2		FA216/2HH		
FTE					
4 Piston Radial Supermoto			MXS405	EPFA405HH	
6 Piston Radial Supermoto			MXS406	EPFA406HH	
GMA					
2 Piston rear (large) caliper model A (CCI #09-997)	FA036	FA036V			
2 Piston (small) caliper model B (CCI # 09-996)	FA076	FA076V	FA076HH		
4 Piston model F	FA115	FA115V	FA115HH		
HARRISON BILLET					
Big 4 Piston (1296033)	FA047		FA047HH		
Big 6 Piston (1296033)	FA047		FA047HH		
2 Piston (1296040)	FA175		FA175HH	EPFA175HH	
Slim Design	FA175		FA175HH	EPFA175HH	
Mini 6	FA175		FA175HH	EPFA175HH	

PADS FOR AFTERMARKET CALIPERS

HHI - HAWG HALTERS

	Standard Organic Pad	Semi-Organic Sintered Pad	Fully Sintered Pad	Fully Sintered Pad Track Day /Race Pad	Fully Sintered Race Pad
4 Piston - All Types	FA216/3	FA216/3V	FA216/3HH		
4 Piston - Sprocket Brake	FA623		FA623HH		

IRON PEGASUS

Small caliper (Single Pin Fixing)	FA047		FA047HH		
Small caliper (2 Pin Fixing)	FA115	FA115V	FA115HH		

ISR

22-023-0A (2 Piston)	FA011				
22-025-XX (4 Piston)	FA047		FA047HH		
22-026-0A (Sprocket Caliper)	FA011				
22-027 (2 Piston Rear)	FA047		FA047HH		
22-028 (2 Piston)	FA047		FA047HH		
22-029 (Rear 2 Piston)	FA047		FA047HH		
22-030 (2 Piston Rear)	FA016		FA016HH	EPFA016HH	GPFAX016HH
22-032 (6 Piston Large)	FA175		FA175HH		
22-033 (2 Piston HD)	FA016		FA016HH	EPFA016HH	GPFAX016HH
22-034 (6 Piston Small)	FA184				GPFAX184HH
22-036 (2 Piston)	FA184				GPFAX184HH
R22-042 (6 Piston Racing)	FA175		FA175HH	EPFA175HH	
22-043 (4 Piston)	FA184				GPFAX184HH
Radial 6 Piston Monoblock	FA184				GPFAX184HH

JAYBRAKE

Dual 7 Quad (300-04) (2 & 4 Piston)	FA115	FA115V	FA115HH		
J-Four (300-44) (4 Piston)	FA188		FA188HH	EPFA188HH	
J-Six (300-64) (6 Piston)	FA243		FA243HH		
6 PF-L (6 Piston/ 13" Disc - Full Height Friction)			FA455HH		
6 PF-L (6 Piston/ 11.5" Disc - Lower Height Friction)			FA649HH		
Early Design 2 Piston	FA076	FA076V	FA076HH		

MAGURA

4 Piston	FA433/4		FA433/4HH	EPFA433/4HH	
----------	---------	--	-----------	-------------	--

MOTOMASTER

4 Piston	FA158		FA158HH	EPFA158HH	
----------	-------	--	---------	-----------	--

NOVA/LEGENDS

4 Piston	FA216/3	FA216/3V	FA216/3HH		
----------	---------	----------	-----------	--	--

OMP

4 Piston Caliper (Front or Rear)	FA095	FA095V	FA095HH	EPFA095HH	
6 Piston	FA116				
Sprocket caliper	FA116				

PERFORMANCE MACHINE

112 X 6B	FA249		FA249HH	EPFA249HH	
112 X 6QC	FA249		FA249HH	EPFA249HH	
112 X 6RSB	FA190	FA190V	FA190HH	EPFA190HH	
112 X 6SSB	FA190	FA190V	FA190HH	EPFA190HH	
124 X 4HR	FA216/2		FA216/2HH		
125 X 2	FA115	FA115V	FA115HH		
125 X 4R	FA216/3	FA216/3V	FA216/3HH		
125 X 4RSPH	FA216/3	FA216/3V	FA216/3HH		
125 X 4S	FA115	FA115V	FA115HH		
125 X 4SL	FA115	FA115V	FA115HH		
125 X 6	FA210	FA210V			
125 X 6QC	FA190	FA190V	FA190HH	EPFA190HH	
137 X 4	FA216/2		FA216/2HH		
137 X 4 (2006)			FA420HH		
137 X 4B	FA216/3	FA216/3V	FA216/3HH		
137 X 6	FA210	FA210V			
162 X 2	FA032	FA032V			

PADS FOR AFTERMARKET CALIPERS

	Standard Organic Pad	Semi-Organic Sintered Pad	Fully Sintered Pad	Fully Sintered Pad Track Day /Race Pad	Fully Sintered Race Pad
PFM					
6 Piston Superbike caliper				EPFA263HH	
PRE TECH					
4 Piston (Uni P401)	FA180		FA180HH		
4 Piston (P402) Lockheed Replacement Caliper	FA158		FA158HH	EPFA158HH	
6 Piston	FA190	FA190V	FA190HH	EPFA190HH	
6 Piston (Radial Mount)	FA249		FA249HH	EPFA249HH	
PRO-ONE					
2 Piston	FA047		FA047HH		
4 Piston	FA158		FA158HH	EPFA158HH	
P.V.M.					
2 Piston Rear Caliper (Note Only 2 Pads Required)			FA435/4HH	EPFA435/4HH	
4 Piston Radial Mount Caliper			FA435/4HH	EPFA435/4HH	
4 Piston Race Caliper (old design)	FA211/2				
6 Piston (old large design)					GFA183HH
6 Piston new small design					GFA276HH
6 Piston new small design					GFA276HH
REVTECH					
CCI Polished Caliper (Front/Rear)	FA095	FA095V	FA095HH	EPFA095HH	
New Black 4 Piston Caliper	FA216/3	FA216/3V	FA216/3HH		
6 Piston VR1000 Race Caliper	FA217				
SPIEGLER					
4 Piston Caliper S4B					
8 Piston Caliper S8B					
SPONDON					
4 Piston Caliper	FA107A				
4 Piston Caliper	FA107/2A				
THUNDERHEART					
4 Piston Caliper	FA216/3	FA216/3V	FA216/3HH		
6 Piston Caliper	FA249		FA249HH		
WILWOOD					
PS1 Caliper (Part # 150-4091K)	FA271TT		FA271R		
GP300/310 (Part # 150-8733-2)	FA095	FA095V	FA095HH	EPFA095HH	
GP320 (Part # 154-8596K)					
Z15015190	FA737TT		FA737R		

NOTES

Non-JAPANESE Built Motorcycles



ACCOSSATO

50/80 Cross/Enduro	1983
C 50 Cross/Enduro/Competition	1984
Enduro Codice 50	1989
CE 50/80/KR 80	1987
CE 80/125 Cross/Enduro H 20	1984

ADIVA SCOOTERS

AD 125	2009-2011
AD1 125	2014-2015
AR 125	2010-2011
AD 200	2009-2011
AR 200	2010-2011
AD2 300	2014-2015
AD3 300	Left 2014-2015 Right
AD 400	2009-2011

ADLY

50 RS Supersonic	2006-2008
AT 50 Air Tech 1	2008-2009
Cosy 50/80	2002-2006
NB 50 Noble	2008-2010
P50 Panther	2002-2009
SF 50 Silver Fox	2006-2009
SS 50 SS 50 Supersonic	2004-2005
TB 50 Thunderbike	2008-2009
Road Tracer 50/90/100	2004-2006
SS 100 Supersonic	2004-2005
GK 125 Buggie	2003-2007
Herchee Cat 125	1998-2002
Herchee Herkules 125 Mirage/Virtuality	2011-2012
NB 125 B Noble	2008-2009
NB 125 B Noble	2008-2010
SS 125 B/D Supersonic	2004-2005
150 Crusader	2006
150 Interceptor	2006
Crossroad 150	2007-2009
Sport 150	2008-2009
Canyon 280	2008-2009
Hurricane 280	2008-2009
300 Crusader	2005-2007
300 RS	2007-2008
300 XS	2007-2008
Crossroad 300 Sentinal	2008-2009
Hurricane 300	2008-2009
Interceptor 300	2005-2007
Utility 300	2005-2007
320 S	2008
Canyon 320	2008-2009
Hurricane 320	2008-2009
500 S	2008

AEON

Cobra 50	2006-2015
Echo 50	2004-2006
Minikolt 50 AT06	2003-2015
Regal 50/90	2006
Revo R50 Cobra 2 AT34	2004-2006
Cobra 60 AT30	2004-2011
Aero 50/100	2006

DISC PAD CHOICES - FRONT				BRAKE DISC CHOICES - FRONT					Line #
FA, SFA, TT Pad or Brake Shoe	SFAC Carbon Scooter Pads	Speciality Pads - SXR / Vee / MXS	Sintered/HH Pads/ Grooved Shoes	Standard Replacement Discs	Contour Disc Universal Left and Right	Vee-Discs Black † See note below	CX Extreme Disc / UTVX Disc	OSX Oversize 250mm or 280mm	
			841G						1
			841G						2
FA047									3
FA047									4
			940G						5
									6
									7
SFA264	SFAC264		SFA264HH						8
SFA260*	SFAC260		SFA260HH*						9
SFA264	SFAC264		SFA264HH						10
SFA264	SFAC264		SFA264HH						11
SFA264	SFAC264		SFA264HH						12
SFA266*	SFAC266		SFA266HH*						13
SFA260*	SFAC260		SFA266HH						14
			SFA260HH						15
SFA266*	SFAC266		SFA266HH*						16
									17
									18
SFA083*	SFAC083		SFA083HH*						19
SFA083	SFAC083		SFA083HH						20
SFA083	SFAC083		SFA083HH						21
SFA083	SFAC083		SFA083HH	MD904D					22
SFA083	SFAC083		SFA083HH	MD904D					23
SFA083	SFAC083		SFA083HH	MD923D					24
SFA083	SFAC083		SFA083HH	MD923D					25
SFA083	SFAC083		SFA083HH	MD904D					26
SFA169	SFAC169		SFA169HH	MD904D					27
SFA083	SFAC083		SFA083HH	MD923D					28
H346*			H346G*						29
SFA083	SFAC083		SFA083HH						30
SFA083	SFAC083		SFA083HH						31
SFA083	SFAC083		SFA083HH						32
SFA083	SFAC083		SFA083HH						33
SFA083	SFAC083		SFA083HH	MD923D					34
FA083TT*			FA083R*						35
FA083TT*			FA083R*						36
FA083TT*			FA083R*						37
FA083TT*			FA083R*						38
FA377TT*			FA377R*						39
FA377TT*			FA377R*						40
FA083TT*			FA083R*						41
FA377TT*			FA377R*						42
FA377TT*			FA377R*						43
FA377TT*			FA377R*						44
FA377TT*			FA377R*						45
FA083TT*			FA083R*						46
FA377TT*			FA377R*						47
FA377TT*			FA377R*						48
FA377TT*			FA377R*						49
FA377TT*			FA377R*						50
FA377TT*			FA377R*						51
									52
									53
SFA083	SFAC083								54
H346*									55
SFA083	SFAC083		SFA083HH						56
H346*			H346G*						57
SFA083	SFAC083		SFA083HH						58
H346*			H346G*						59
SFA083	SFAC083		SFA083HH						60

FRONT / AVANT / VORN / FRENTE / ANTERIORE

R Suffix = High Durability Sintered Pad. HH Suffix = High Performance Sintered Pad. TT Suffix = Hard Wearing Off Road Pad. V Suffix = Semi Sintered Pad. G Suffix = Grooved Shoe.
D Suffix = Drilled Disc. X Suffix = Universal Left or Right Disc. XC Suffix = Contoured Disc. LS Suffix = Left/Steel Disc. RS = Right/Steel Disc.

*-2 Sets Required. † For Vee disc colours add RED, BLU, GRN, GLD, ORG suffix to part number.

⊗ - Also available as a Vintage Motorcycle Disc. ★ - EPFA available. ⚙ Disc made of Billet steel. ♦ CE solid discs for Enduro use.

120 Part numbers, prefixes, suffixes, photos and illustrations shown in this catalogue are trademarks and/or copyrights of EBC Brakes or the trademark owner A C Freeman Investments Ltd and use without express written permission of the owners is punishable by law.

Non-JAPANESE Built Motorcycles

Line #	BRAKE DISC CHOICES - FRONT			DISC PAD CHOICES - REAR				BRAKE DISC CHOICES - REAR					
	SMX Oversize 320mm Disc Kit Front Left	Front disc bolt kit	Front Brake Line	FA, SFA, TT Pad or Brake Shoe	SFAC Carbon Scooter Pads	Speciality Pads - SXR / Vee / MXS	Sintered HH/R Pads/ Grooved Shoes	Standard Replacement Disc	Contour Disc Rear Fitment	Vee Discs CONTOUR	CX Extreme MX Race Disc / UTVX Disc	Rear disc bolt kit	Rear Brake Line
1				841G									
2				841G									
3				FA116									
4				FA116									
5				841G									
6													
7													
8				SFA199			SFA199HH						
9				SFA260			SFA260HH						
10				SFA199			SFA199HH						
11				SFA199			SFA199HH						
12				SFA199			SFA199HH						
13				SFA427			SFA427HH						
14							SFA427HH						
15				SFA427									
16				SFA266			SFA266HH						
17													
18													
19				SFA083			SFA083HH						
20													
21				Y503									
22													
23				Y503									
24				Y503									
25				Y503									
26													
27				Y503									
28				Y503									
29				FA083TT			FA083R	MD982D					
30				Y503									
31				Y503									
32				SFA083			SFA083HH	MD6354D					
33				SFA083			SFA083HH						
34				SFA083			SFA083HH						
35				FA083TT			FA083R	MD982D					
36				FA083TT			FA083R						
37				FA083TT			FA083R						
38				FA083TT			FA083R						
39				FA431TT			FA431R						
40				FA431TT			FA431R						
41				FA083TT			FA083R						
42				FA431TT			FA431R						
43				FA431TT			FA431R						
44				FA431TT*			FA431R						
45				FA431TT			FA431R						
46				FA083TT			FA083R						
47				FA431TT			FA431R						
48				FA431TT			FA431R						
49				FA431TT			FA431R						
50				FA431TT			FA431R						
51				FA431TT			FA431R						
52													
53													
54				FA083TT			FA083R						
55													
56				FA083TT			FA083R						
57													
58				FA083TT			FA083R						
59				FA083TT			FA083R						
60													

REAR / ARRIÈRE / HINTEN / POSTERIOR / POSTERIORE

R Suffix = High Durability Sintered Pad. **HH** Suffix = High Performance Sintered Pad. **TT** Suffix = Hard Wearing Off Road Pad. **V** Suffix = Semi Sintered Pad. **G** Suffix = Grooved Shoe.
D Suffix = Drilled Disc. **X** Suffix = Universal Left or Right Disc. **XC** Suffix = Contoured Disc. **LS** Suffix = Left/Steel Disc. **RS** = Right/Steel Disc.

BRAKE APPLICATIONS

*-2 Sets Required. † For Vee disc colours add RED, BLU, GRN, GLD, ORG suffix to part number.

⊙ - Also available as a Vintage Motorcycle Disc. ★ - EPFA available. ⚙ Disc made of Billet steel. ♦ CE solid discs for Enduro use.

Part numbers, prefixes, suffixes, photos and illustrations shown in this catalogue are trademarks and/or copyrights of EBC Brakes or the trademark owner A C Freeman Investments Ltd and use without express written permission of the owners is punishable by law.

Non-JAPANESE Built Motorcycles



AEON Contd.

		DISC PAD CHOICES - FRONT			BRAKE DISC CHOICES - FRONT					Line #	
		FA, SFA, TT Pad or Brake Shoe	SFAC Carbon Scooter Pads	Speciality Pads - SXR / Vee / MXS	Sintered/HH Pads/ Grooved Shoes	Standard Replacement Discs	Contour Disc Universal Left and Right	Vee-Discs Black † See note below	CX Extreme Disc / UTVX Disc	OSX Oversize 250mm or 280mm	
Cobra 100 AT30	2004-2006	H346*									1
Revo R100 Cobra 2 AT34	2004-2011										2
CO-IN 125	2013	SFA384									3
Elite 125	2012-2013	SFA228	SFAC228		SFA228HH						4
MY 125	2012-2013	FA228			FA228HH						5
Nox 50/100/125/150	2006	SFA083	SFAC083		SFA083HH						6
Overland 125 AT08	2002-2006										7
OZ 125	2013	SFA384									8
Sporty 125 AT05	2001-2005										9
Urban 125	2011	SFA228			SFA228HH						10
Urban 125	2012-2013	SFA228	SFAC228		SFA228HH						11
OZ 150	2013	SFA384									12
Pulsar 100/125/150	2006	SFA083	SFAC083		SFA083HH						13
Cobra RS 180	2006										14
Overland 180 AT08	2002-2011										15
Sporty 180 AT05	2004-2005										16
200 Two Hundred	2006	FA083TT*			FA083R*						17
Elite 200 i	2011	SFA228			SFA228HH						18
Cobra 220	2006-2011	FA083TT*			FA083R*	MD6274D*					19
Cobra S 300	2012-2015	FA083TT*			FA083R*						20
Cube 300	2011	FA083TT*			FA083R*						21
Overland 300 AT20	2006-2007	FA083TT*			FA083R*	MD6274D*					22
Cobra 350	2010-2011	FA083TT*			FA083R*	MD6274D*					23
Crossland RX 350	2011	FA083TT*			FA083R*						24
Crossland RX 350	2011	FA083TT*			FA083R*						25
Cube 350	2013-2015	FA083TT*			FA083R*						26
Elite 350i	2012-2013	SFA228	SFAC228		SFA228HH						27
Urban 350 i	Left 2011	SFA228	SFAC228		SFA228HH						28
	Right										29
Urban 350i	2012-2013	SFA228	SFAC228		SFA228HH						30
Cobra 400	2010-2015	FA083TT*			FA083R*	MD6274D*					31
Cobra 400	2013-2015	FA083TT*			FA083R*						32
Crossland 400	2012-2015	FA083TT*			FA083R*						33
Crossland 400	2012-2015	FA083TT*			FA083R*						34
Elite 400i	2014-2015	SFA627			SFA627HH						35
Crossland 600i	2014-2015	FA083TT*			FA083R*						36
Overland 600	2011	FA377TT*			FA377R*						37
CO-IN ECO	2013	SFA384									38
											39
											40
											41
											42
											43
											44
											45
											46
											47
											48
											49
											50
											51
											52
											53
											54
											55
											56
											57
											58
											59
											60

FRONT / AVANT / VORN / FRENTE / ANTERIORE

R Suffix = High Durability Sintered Pad. HH Suffix = High Performance Sintered Pad. TT Suffix = Hard Wearing Off Road Pad. V Suffix = Semi Sintered Pad. G Suffix = Grooved Shoe.
D Suffix = Drilled Disc. X Suffix = Universal Left or Right Disc. XC Suffix = Contoured Disc. LS Suffix = Left/Steel Disc. RS = Right/Steel Disc.

AGRALE

Elefantre 30 1992

AJP

PR3 125 Enduro 2008-2012
PR3 125 Enduro 2013-2015
PR3 125 Enduro Pro 2008-2012
PR3 125 Enduro Pro 2013-2015
PR3 125 Extreme 2013-2015
PR3 125 Supermoto 2008-2012
PR3 125 Supermoto 2013-2015
PR3 125 Supermoto Pro 2010-2011
PR3 125 Trail 2011-2012
PR3 125 Trail 2013-2015
PR4 125 Enduro 2004-2009
PR4 125 Enduro 2010-2012
PR4 125 Enduro 2013-2015
PR4 125 Enduro Pro 2010-2012
PR4 125 Enduro Pro 2013-2015
PR4 125 Supermoto 2004-2009
PR4 125 Supermoto 2010-2012

*-2 Sets Required. † For Vee disc colours add RED, BLU, GRN, GLD, ORG suffix to part number.
⊗ - Also available as a Vintage Motorcycle Disc. ★ - EPFA available. ⚙ Disc made of Billet steel. ♦ CE solid discs for Enduro use.

Non-JAPANESE Built Motorcycles

Line #	BRAKE DISC CHOICES - FRONT			DISC PAD CHOICES - REAR				BRAKE DISC CHOICES - REAR					
	SMX Oversize 320mm Disc Kit Front Left	Front disc bolt kit	Front Brake Line	FA, SFA, TT Pad or Brake Shoe	SFAC Carbon Scooter Pads	Speciality Pads - SXR / Vee / MXS	Sintered HH/R Pads/ Grooved Shoes	Standard Replacement Disc	Contour Disc Rear Fitment	Vee Discs CONTOUR	CX Extreme MX Race Disc / UTVX Disc	Rear disc bolt kit	Rear Brake Line
1				FA083TT			FA083R						
2				FA083TT			FA083R						
3				H303									
4				SFA067			SFA067HH						
5				FA067			FA067HH						
6													
7				FA165TT			FA165R						
8				H303									
9				FA083TT			FA083R						
10				SFA083			SFA083HH						
11				SFA067			SFA067HH						
12				H303									
13													
14				FA165TT			FA165R						
15				FA165TT			FA165R						
16				FA083TT			FA083R						
17				FA083TT			FA083R						
18				SFA083			SFA083HH						
19				FA067TT			FA067R						
20				FA067TT			FA067R						
21				FA067TT			FA067R						
22				FA067TT			FA067R						
23				FA067TT			FA067R						
24				FA165TT			FA165R						
25				FA165TT			FA165R						
26				FA067TT			FA067R						
27				SFA067			SFA067HH						
28				FA067TT									
29				SFA083			SFA083HH						
30				SFA067			SFA067HH						
31				FA067TT			FA067R						
32				FA067TT			FA067R						
33				FA135TT			FA135R						
34				FA135TT			FA135R						
35				SFA197	SFAC197		SFA197HH						
36				FA159TT*			FA159R*						
37				FA067TT			FA067R						
38				H303									
39													
40													
41				845									
42													
43													
44				FA303TT									
45				FA634TT				MD6401D					
46				FA303TT									
47				FA634TT				MD6401D					
48				FA634TT				MD6401D					
49				FA303TT									
50				FA634TT				MD6401D					
51				FA303TT									
52				FA303TT									
53				FA634TT									
54				FA303TT									
55				FA093									
56				FA634TT									
57				FA093									
58				FA634TT									
59				FA303TT									
60				FA093									

REAR / ARRIÈRE / HINTEN / POSTERIOR / POSTERIORE

R Suffix = High Durability Sintered Pad. HH Suffix = High Performance Sintered Pad. TT Suffix = Hard Wearing Off Road Pad. V Suffix = Semi Sintered Pad. G Suffix = Grooved Shoe.
D Suffix = Drilled Disc. X Suffix = Universal Left or Right Disc. XC Suffix = Contoured Disc. LS Suffix = Left/Steel Disc. RS = Right/Steel Disc.

BRAKE APPLICATIONS

*-2 Sets Required. † For Vee disc colours add RED, BLU, GRN, GLD, ORG suffix to part number.

⊙ - Also available as a Vintage Motorcycle Disc. ★ - EPFA available. ⚙ Disc made of Billet steel. ♦ CE solid discs for Enduro use.

Part numbers, prefixes, suffixes, photos and illustrations shown in this catalogue are trademarks and/or copyrights of EBC Brakes or the trademark owner A C Freeman Investments Ltd and use without express written permission of the owners is punishable by law.

Non-JAPANESE Built Motorcycles



AJP Contd.

Model	Year	DISC PAD CHOICES - FRONT			BRAKE DISC CHOICES - FRONT					Line #
		FA, SFA, TT Pad or Brake Shoe	SFAC Carbon Scooter Pads	Speciality Pads - SXR / Vee / MXS	Sintered/HH Pads/ Grooved Shoes	Standard Replacement Discs	Contour Disc Universal Left and Right	Vee-Discs Black † See note below	CX Extreme Disc / UTVX Disc	
PR4 125 Supermoto	2013-2015	FA465TT		MXS465	FA465R					1
PR4 125 Supermoto Pro	2010-2011	FA194			FA194HH					2
SPR 125	2022-2024	FA465TT		MXS465	FA465R	MD6400D				3
PR3 200 Enduro	2008-2011	FA194			FA194HH					4
PR3 200 Enduro	2012-2014	FA465TT		MXS465	FA465R	MD6400D				5
PR3 200 Enduro Pro	2010-2011	FA465TT		MXS465	FA465R					6
PR3 200 Enduro Pro	2012-2014	FA465TT		MXS465	FA465R	MD6400D				7
PR3 200 M/X	2010-2011	FA465TT		MXS465	FA465R					8
PR3 200 M/X Pro	2010-2011	FA465TT		MXS465	FA465R					9
PR3 200 M/X Pro	2012-2014	FA465TT		MXS465	FA465R	MD6400D				10
PR3 200 M/X Pro	2013-2015	FA465TT		MXS465	FA465R					11
PR3 200 Supermoto	2008-2011	FA194			FA194HH					12
PR3 200 Supermoto	2012-2014	FA465TT		MXS465	FA465R	MD6400D				13
PR3 200 Supermoto Pro	2010-2011	FA465TT		MXS465	FA465R					14
PR4 200 Enduro	2004-2009	FA167			FA167HH		MD6402C			15
PR4 200 Enduro	2010-2011	FA194			FA194HH		MD6402C			16
PR4 200 Enduro	2012-2014	FA194			FA194HH		MD6402C			17
PR4 200 Enduro Pro	2010-2011	FA194			FA194HH		MD6402C			18
PR4 200 Enduro Pro	2012-2014	FA194			FA194HH		MD6402C			19
PR4 200 Extreme	2012-2014	FA194			FA194HH		MD6404C			20
PR4 200 Supermoto	2004-2009	FA167			FA167HH		MD6402C			21
PR4 200 Supermoto	2010-2011	FA194			FA194HH		MD6402C			22
PR4 200 Supermoto	2012-2014	FA194			FA194HH		MD6402C			23
PR4 200 Supermoto Pro	2010-2011	FA194			FA194HH		MD6402C			24
PR4 240 Extreme	2013-2015	FA465TT		MXS465	FA465R		MD6402C			25
SPR 240	2022-2024	FA465TT		MXS465	FA465R	MD6400D				26
SPR 240 X	2022-2024	FA181TT		MXS181	FA181R	MD6400D				27
PR5 250 Enduro	2009	FA185TT		MXS185	FA185R					28
PR5 250 Enduro	2010-2015	FA465TT		MXS465	FA465R					29
PR5 250 Extreme	2012-2015	FA185TT		MXS185	FA185R		MD6404C			30
PR5 250 Supermoto	2009	FA185TT		MXS185	FA185R					31
PR5 250 Supermoto	2010-2015	FA465TT		MXS465	FA465R					32
SPR 250 R	2022-2024	FA465TT		MXS465	FA465R	MD6400D				33
SPR 250 R	2022-2024	FA181TT		MXS181	FA181R	MD6400D				34
SPR 310 R	2022-2024	FA181TT		MXS181	FA181R					35
SPR 510 R	2022-2024	FA181TT		MXS181	FA181R					36
PR7 650 Adventure	2019-2021	FA465TT		MXS465	FA465R					37
PR7 650 Adventure	2019-2024	FA209/2			FA209/2HH					38
										39
										40
										41
										42
										43
										44
										45
										46
										47
										48
										49
										50
										51
										52
										53
										54
										55
										56
										57
										58
										59
										60

FRONT / AVANT / VORN / FRENTE / ANTERIORE

R Suffix = High Durability Sintered Pad. HH Suffix = High Performance Sintered Pad. TT Suffix = Hard Wearing Off Road Pad. V Suffix = Semi Sintered Pad. G Suffix = Grooved Shoe.
D Suffix = Drilled Disc. X Suffix = Universal Left or Right Disc. XC Suffix = Contoured Disc. LS Suffix = Left/Steel Disc. RS = Right/Steel Disc.

AJS

Crazy 50	2013-2014	SFA264	SFAC264		SFA264HH					41
DD 50 E Regal Raptor	2004-2006	SFA054	SFAC054		SFA054HH					42
Digita 50	2013-2015	SFA235	SFAC235							43
Exactly 50 Scooter	2008-2011	SFA235	SFAC235							44
Firefox 50	2013-2015	SFA235	SFAC235							45
JSM 50 Motard	2013-2015	FA086			FA086HH					46
Modena 50	2014-2015	SFA086								47
DD 100 E Regal Raptor	2004-2006	FA086			FA086HH					48
Bobber 125 Custom	2010-2015	FA086*			FA086HH*					49
Cadwell 125	2019	FA722								50
Cadwell 125 Clubman	2019-2023	FA722								51
CR3-125 Regal Raptor	2006	FA375			FA375HH	MD644				52
Daytona 125	2013-2015	FA086*			FA086HH*					53
Daytona 125 E	2010	FA086			FA086HH					54
DD 125 E Regal Raptor	2004-2006	FA197			FA197HH★					55
DD 125 E Regal Raptor	2009-2015	FA086			FA086HH					56
EOS 125 Regal Raptor	2009-2015	FA086*			FA086HH*					57
Exactly 125 Scooter	2008-2015	SFA235	SFAC235							58
JS 125 E ECO	2007-2009	SFA054	SFAC054		SFA054HH					59
JS 125 E ECO	2009-2015	SFA054	SFAC054		SFA054HH					60

*-2 Sets Required. † For Vee disc colours add RED, BLU, GRN, GLD, ORG suffix to part number.

⊗ - Also available as a Vintage Motorcycle Disc. ★ - EPFA available. ⚙ Disc made of Billet steel. ♦ CE solid discs for Enduro use.

Non-JAPANESE Built Motorcycles

Line #	BRAKE DISC CHOICES - FRONT			DISC PAD CHOICES - REAR				BRAKE DISC CHOICES - REAR					
	SMX Oversize 320mm Disc Kit Front Left	Front disc bolt kit	Front Brake Line	FA, SFA, TT Pad or Brake Shoe	SFAC Carbon Scooter Pads	Speciality Pads - SXR / Vee / MXS	Sintered HH/R Pads/ Grooved Shoes	Standard Replacement Disc	Contour Disc Rear Fitment	Vee Discs CONTOUR	CX Extreme MX Race Disc / UTVX Disc	Rear disc bolt kit	Rear Brake Line
1				FA634TT									
2				FA093									
3				FA131TT			MXS131	FA131R	MD6401D				
4				FA303TT									
5				FA634TT				MD6401D					
6				FA303TT									
7				FA634TT				MD6401D					
8				FA303TT									
9				FA303TT									
10				FA634TT				MD6401D					
11				FA634TT									
12				FA303TT									
13				FA634TT				MD6401D					
14				FA303TT									
15				FA303TT					MD6403C				
16				FA093					MD6403C				
17				FA634TT					MD6403C				
18				FA093					MD6403C				
19				FA634TT					MD6403C				
20				FA634TT					MD6405C				
21				FA303TT					MD6403C				
22				FA093					MD6403C				
23				FA634TT					MD6403C				
24				FA093					MD6403C				
25				FA634TT					MD6405C				
26				FA131TT			MXS131	MD6401D					
27				FA368TT			MXS368	MD6401D					
28				FA131TT			MXS131		MD6403C				
29				FA131TT			MXS131		MD6403C				
30				FA131TT			MXS131		MD6405C				
31				FA131TT			MXS131		MD6403C				
32				FA634TT					MD6403C				
33				FA131TT			MXS131	MD6401D					
34				FA368TT			MXS368	MD6401D					
35				FA368TT			MXS368	MD6401D					
36				FA368TT			MXS368	MD6401D					
37				FA208TT									
38				FA208TT									
39													
40													
41				FA453TT									
42													
43													
44													
45													
46				FA054TT									
47				H303									
48				FA213									
49				FA115									
50				FA063									
51				FA063									
52				FA343			FA343HH						
53				FA197			FA197HH						
54				FA197			FA197HH★						
55													
56				FA197			FA197HH★						
57				FA197			FA197HH★						
58				Y527									
59													
60				Y531									

REAR / ARRIÈRE / HINTEN / POSTERIOR / POSTERIORE

R Suffix = High Durability Sintered Pad. **HH** Suffix = High Performance Sintered Pad. **TT** Suffix = Hard Wearing Off Road Pad. **V** Suffix = Semi Sintered Pad. **G** Suffix = Grooved Shoe.
D Suffix = Drilled Disc. **X** Suffix = Universal Left or Right Disc. **XC** Suffix = Contoured Disc. **LS** Suffix = Left/Steel Disc. **RS** = Right/Steel Disc.

BRAKE APPLICATIONS

*-2 Sets Required. † For Vee disc colours add RED, BLU, GRN, GLD, ORG suffix to part number.

⊙ - Also available as a Vintage Motorcycle Disc. ★ - EPFA available. ⚙ Disc made of Billet steel. ◆ CE solid discs for Enduro use.

Part numbers, prefixes, suffixes, photos and illustrations shown in this catalogue are trademarks and/or copyrights of EBC Brakes or the trademark owner A C Freeman Investments Ltd and use without express written permission of the owners is punishable by law.

Non-JAPANESE Built Motorcycles



AJS Contd.

JSM 125 Motard	2010-2015
JSM 125 Trail	2013-2014
Modena 125	2014-2015
NAC 12 125cc	2009-2015
R7 125 Sport	2014-2015
Tempest Roadster 125	2019
Tempest Scrambler 125	2019-2023
DD 250 E Regal Raptor	2004-2009
NKT2 250	2008-2009
350 E-9B	2013-2014
EOS 350	2013-2015
SPT 350	2013-2014
NKT1 125	2008-2010
JS 125-6C Custom	2012-2015

ALFER

80 MC	1987
125 MC	1987
125 MC	1988
VRE 125	1998
250 GR Enduro	1985-1987
250 GR Enduro	1988
250 MC	1985-1986
250 MC	1987
250 MC	1988
AR 250	1993
Diferente 250 Enduro	2001
Divertida 250 Supermotard	2001
VR 250	1998
300 GR Enduro	1985-1987
300 GR Enduro	1988

ALTA MOTORS ELECTRIC

Redshift MX	2016-2018
Redshift SM	2016-2018

ANCILLOTTI

PS 80/PST 125 MX/GS	1983
PSV 250 MX	1983

APACHE

Mini Tomahawk 50	2008-2009
Mini Tomahawk 50	2008-2009
RLX 50	2008
RLX 100	2002
ZX 100	2012
RLX 110	2002
RLX 150 S	2004
RLX 250 S Mk1	2005
RLX 250 SX Mk1	2005
RLX 320 S Mk1	2009
RLX 320 Utility Mk1	2009
RLX 450 S Mk1	2008

APRILIA

Amico All models	1996-1998
Area 51 Mk1	1998-2002
Classic 50 Mk1	1992-2001
Europa 50 Mk1	1990-1992
Gulliver All models	1995-1998

Model	Year	DISC PAD CHOICES - FRONT			BRAKE DISC CHOICES - FRONT					Line #
		FA, SFA, TT Pad or Brake Shoe	SFAC Carbon Scooter Pads	Speciality Pads - SXR / Vee / MXS	Sintered/HH Pads/ Grooved Shoes	Standard Replacement Discs	Contour Disc Universal Left and Right	Vee-Discs Black † See note below	CX Extreme Disc / UTVX Disc	
FA086					FA086HH					1
FA086					FA086HH					2
SFA086										3
FA086*					FA086HH*					4
FA095*					FA095HH*★					5
FA722										6
FA722										7
FA197					FA197HH★					8
FA197					FA197HH★					9
FA086*					FA086HH*					10
FA086*					FA086HH*					11
FA086*					FA086HH*					12
FA197					FA197HH★					13
SFA086					SFA086HH					14
FA047TT										15
FA047TT										16
FA126					FA126HH					17
FA181TT			MXS181		FA181R					18
FA047TT										19
FA126					FA126HH					20
FA047TT										21
FA047TT										22
FA126					FA126HH					23
FA185TT					FA185R					24
FA181TT			MXS181		FA181R					25
FA181TT			MXS181		FA181R					26
FA181TT			MXS181		FA181R					27
FA047TT										28
FA126					FA126HH					29
FA181TT			MXS181		FA181R					30
FA244					FA244HH★					31
841G										32
841G										33
H346*					H346G*					34
H346*					H346G*					35
H346*					H346G*					36
H346*					H346G*					37
H346*					H346G*					38
H346*					H346G*					39
Y503*					Y503G*					40
FA067TT*					FA067R*					41
FA067TT*					FA067R*					42
FA067TT*					FA067R*					43
FA067TT*					FA067R*					44
FA067TT*					FA067R*					45
FA067TT*					FA067R*					46
SFA193		SFAC193			SFA193HH	MD904D		VR904		47
SFA193		SFAC193			SFA193HH	MD936D		VR936		48
FA116										49
FA116						MD625LS				50
SFA193		SFAC193			SFA193HH	MD943D	MD943C	VR943		51

FRONT / AVANT / VORN / VORNE / ANTERIORE

R Suffix = High Durability Sintered Pad. HH Suffix = High Performance Sintered Pad. TT Suffix = Hard Wearing Off Road Pad. V Suffix = Semi Sintered Pad. G Suffix = Grooved Shoe.
D Suffix = Drilled Disc. X Suffix = Universal Left or Right Disc. XC Suffix = Contoured Disc. LS Suffix = Left/Steel Disc. RS = Right/Steel Disc.

*-2 Sets Required. † For Vee disc colours add RED, BLU, GRN, GLD, ORG suffix to part number.

⊗ - Also available as a Vintage Motorcycle Disc. ★ - EPFA available. ⚙ Disc made of Billet steel. ♦ CE solid discs for Enduro use.

Non-JAPANESE Built Motorcycles

Line #	BRAKE DISC CHOICES - FRONT			DISC PAD CHOICES - REAR				BRAKE DISC CHOICES - REAR					
	SMX Oversize 320mm Disc Kit Front Left	Front disc bolt kit	Front Brake Line	FA, SFA, TT Pad or Brake Shoe	SFAC Carbon Scooter Pads	Speciality Pads - SXR / Vee / MXS	Sintered HH/R Pads/ Grooved Shoes	Standard Replacement Disc	Contour Disc Rear Fitment	Vee Discs CONTOUR	CX Extreme MX Race Disc / UTVX Disc	Rear disc bolt kit	Rear Brake Line
1				FA054TT			FA054HH						
2				FA197			FA197HH★						
3				H303									
4				FA086			FA086HH						
5				FA140			FA140HH						
6													
7													
8													
9				FA197			FA197HH★						
10				FA197			FA197HH★						
11				FA197			FA197HH★						
12				FA197			FA197HH★						
13				FA197			FA197HH★						
14													
15													
16													
17				FA115TT			FA115R						
18													
19				FA047TT									
20				FA208TT			FA208R						
21													
22				FA047TT									
23													
24				FA047TT									
25				FA047TT									
26				FA067TT			FA067R						
27				FA208TT			FA208R						
28				FA208TT			FA208R						
29				FA208TT			FA208R						
30													
31				FA047TT									
32													
33													
34				FA368TT		MXS368	FA368R						
35				FA368TT		MXS368	FA368R						
36													
37													
38							841G						
39							843G						
40													
41													
42				FA232TT			FA232R						
43				H307			H307G						
44				FA083TT			FA083R						
45				FA083TT			FA083R						
46				FA067TT			FA067R						
47				FA083TT			FA083R						
48				FA165TT			FA165R						
49				FA135TT			FA135R						
50				FA135TT			FA135R						
51				FA067TT			FA067R						
52				FA067TT			FA067R						
53				FA067TT			FA067R						
54													
55													
56				893									
57				SFA193	SFAC193		SFA193HH	MD943D	MD943C	VR943			
58				995									
59				FA060									
60				893									

REAR / ARRIÈRE / HINTEN / POSTERIOR / POSTERIORE

R Suffix = High Durability Sintered Pad. **HH** Suffix = High Performance Sintered Pad. **TT** Suffix = Hard Wearing Off Road Pad. **V** Suffix = Semi Sintered Pad. **G** Suffix = Grooved Shoe.
D Suffix = Drilled Disc. **X** Suffix = Universal Left or Right Disc. **XC** Suffix = Contoured Disc. **LS** Suffix = Left/Steel Disc. **RS** = Right/Steel Disc.

BRAKE APPLICATIONS

*-2 Sets Required. † For Vee disc colours add RED, BLU, GRN, GLD, ORG suffix to part number.

⊙ - Also available as a Vintage Motorcycle Disc. ★ - EPFA available. ⚙ Disc made of Billet steel. ♦ CE solid discs for Enduro use.

Part numbers, prefixes, suffixes, photos and illustrations shown in this catalogue are trademarks and/or copyrights of EBC Brakes or the trademark owner A C Freeman Investments Ltd and use without express written permission of the owners is punishable by law.

Non-JAPANESE Built Motorcycles



APRILIA Contd.



DISC PAD CHOICES - FRONT

BRAKE DISC CHOICES - FRONT

R Suffix = High Durability Sintered Pad. HH Suffix = High Performance Sintered Pad. TT Suffix = Hard Wearing Off Road Pad. V Suffix = Semi Sintered Pad. G Suffix = Grooved Shoe.

D Suffix = Drilled Disc. X Suffix = Universal Left or Right Disc. XS Suffix = Contoured Disc. LS Suffix = Left/Steel Disc. RS = Right/Steel Disc.

FRONT / AVANT / VORN / FRENTE / ANTERIORE

		FA, SFA, TT Pad or Brake Shoe	SFAC Carbon Scooter Pads	Speciality Pads - SXR / Vee / MXS	Sintered/HH Pads/ Grooved Shoes	Standard Replacement Discs	Contour Disc Universal Left and Right	Vee-Discs Black † See note below	CX Extreme Disc / UTVX Disc	OSX Oversize 250mm or 280mm	Line #
Habana 50/Habana Custom Mk1	1999-2002	SFA193	SFAC193		SFA193HH	MD943D	MD943C	VR943			1
Mini RX 50 Experience Mk1	2004	FA351TT									2
Mojito Custom 50 Mk1	1999-2003	SFA193	SFAC193		SFA193HH	MD943D	MD943C	VR943			3
Mojito Custom 50 MkII	2004-2012	SFA193	SFAC193		SFA193HH	MD943D	MD943C	VR943			4
Mojito Retro 50 Mk1	1999-2003	SFA193	SFAC193		SFA193HH	MD943D	MD943C	VR943			5
MX 50 Mk1	2003-2005	FA194			FA194HH	MD6214D					6
Pegaso 50	1992-1994	FA256			FA256HH	MD6214D					7
Pegaso 50	1992-1994	FA194			FA194HH	MD6214D					8
Rally 50 All models	1996-2000	SFA193	SFAC193		SFA193HH	MD943D	MD943C	VR943			9
Rally All models	1995-2002	SFA193	SFAC193		SFA193HH	MD943D	MD943C	VR943			10
RS 50	1993-1998	FA047				MD639LS					11
RS 50	1999-2005	FA194			FA194HH	MD672LS					12
RS 50	2006-2011	FA266			FA266HH	MD685LS					13
RS4 50	2011-2014	FA399				MD685LS					14
RS4 50	2011-2020	FA095			FA095HH★	MD685LS					15
RX 3-5 Marce 50cc	1991-1994	FA167			FA167HH	MD6214D					16
RX 50 C/CD	1995-2004	FA194			FA194HH	MD6214D					17
RX 50 Factory	2006-2020	FA194			FA194HH	MD811					18
RX 50 Racing	2003-2006	FA194			FA194HH	MD8002					19
Scarabeo 50	2014-2017	SFA193	SFAC193		SFA193HH	MD945D		VR945			20
Scarabeo 50 Classic PF0100	1998-1999	SFA193	SFAC193		SFA193HH	MD990D		VR990			21
Scarabeo 50 Classic PF0100	1998-1999	SFA193	SFAC193		SFA193HH	MD990D		VR990			22
Scarabeo 50 Ditech SCA00	2002-2006	SFA193	SFAC193		SFA193HH	MD945D		VR945			23
Scarabeo 50 H2/HL	1993-1997	SFA193	SFAC193		SFA193HH	MD917D					24
Scarabeo 50 HS/HL	1993-1997	805									25
Scarabeo 50 PF0100	1998-1999	SFA193	SFAC193		SFA193HH	MD945D		VR945			26
Scarabeo 50 PF0100	1998-1999	SFA193	SFAC193		SFA193HH	MD945D		VR945			27
Scarabeo 50 PFG00/TH000	2000-2005	SFA193	SFAC193		SFA193HH	MD945D		VR945			28
Scarabeo 50 PFG00/TH000	2000-2005	SFA193	SFAC193		SFA193HH	MD945D		VR945			29
Scarabeo 50 Street TH00/THE00	2005-2009	SFA193	SFAC193		SFA193HH	MD945D		VR945			30
Scarabeo 50 TG000	2002-2006	SFA193	SFAC193		SFA193HH	MD945D		VR945			31
Scarabeo 50 TGA00/TGB00	2006-2009	SFA193	SFAC193		SFA193HH	MD945D		VR945			32
Sonic All models	1998-2008	SFA193	SFAC193		SFA193HH	MD935D					33
Sport City One 50	2008-2011	SFA353	SFAC353		SFA353HH	MD924D		VR924			34
Sport City One 50	2008-2009	SFA353	SFAC353		SFA353HH	MD924D		VR924			35
SR 50 All Models	1993-1996	SFA193	SFAC193		SFA193HH	MD943D	MD943C	VR943			36
SR 50 Ditech RLD 100	2002-2003	SFA193	SFAC193		SFA193HH	MD943D	MD943C	VR943			37
SR 50 H20 Ditech	2000-2003	SFA193	SFAC193		SFA193HH	MD943D	MD943C	VR943			38
SR 50 H20 Ditech	2000-2003	SFA193	SFAC193		SFA193HH	MD943D	MD943C	VR943			39
SR 50 Motard 2T	2012-2015	SFA353	SFAC353		SFA353HH	MD924D		VR924			40
SR 50 Motard 4T	2013-2015	SFA353	SFAC353		SFA353HH	MD924D		VR924			41
SR 50 Motard	2018	SFA732				MD924D		VR924			42
SR 50 R Factory	2004-2018	SFA193	SFAC193		SFA193HH	MD943D	MD943C	VR943			43
SR 50 R SBK/SBK Alitalia Replica	2010-2011	SFA193	SFAC193		SFA193HH		MD943C	VR943			44
SR 50 Stealth/Racing	1997-1999	SFA193	SFAC193		SFA193HH	MD943D	MD943C	VR943			45
SR 50 Stealth/Racing	1997-1999	SFA193	SFAC193		SFA193HH	MD943D	MD943C	VR943			46
SR 50 Street	2003-2015	SFA193	SFAC193		SFA193HH	MD943D	MD943C	VR943			47
SR 50 WWW - LYH00	1997-2001	SFA193	SFAC193		SFA193HH	MD943D	MD943C	VR943			48
SX 50	2006-2010	FA194			FA194HH	MD8002					49
SX 50	2006-2020	FA194			FA194HH	MD811					50
SX 50 Factory	2019-2020	FA194			FA194HH	MD811					51
SX 50 Limited Edition	2014-2016	FA194			FA194HH	MD811					52
SXR 50 3V E5 HE 4T	2021-2024	SFA732				MD811					53
Tuono 50	2004	FA194			FA194HH	MD672LS					54
Scarabeo 100 Minarelli Engine - REAO	2000	SFA301	SFAC301		SFA301HH	MD945D		VR945			55
Scarabeo 100 SA000/VA000	2001-2009	SFA301	SFAC301		SFA301HH	MD945D		VR945			56
Scarabeo 100 Yamaha Engine - RE00	2000	SFA301	SFAC301		SFA301HH	MD945D		VR945			57
AF1 125	1987	FA134				MD635RS					58
AF1 125	1988-1991	FA126			FA126HH	MD635RS					59
Atlantic 125	2003-2010	SFA324	SFAC324		SFA324HH	MD997D		VR997			60

*-2 Sets Required. † For Vee disc colours add RED, BLU, GRN, GLD, ORG suffix to part number.

⊗ - Also available as a Vintage Motorcycle Disc. ★ - EPFA available. ⚙ - Disc made of Billet steel. ♦ - CE solid discs for Enduro use.

Non-JAPANESE Built Motorcycles

Line #	BRAKE DISC CHOICES - FRONT			DISC PAD CHOICES - REAR				BRAKE DISC CHOICES - REAR					
	SMX Oversize 320mm Disc Kit Front Left	Front disc bolt kit	Front Brake Line	FA, SFA, TT Pad or Brake Shoe	SFAC Carbon Scooter Pads	Speciality Pads - SXR / Vee / MXS	Sintered HH/R Pads/ Grooved Shoes	Standard Replacement Disc	Contour Disc Rear Fitment	Vee Discs CONTOUR	CX Extreme MX Race Disc / UTVX Disc	Rear disc bolt kit	Rear Brake Line
1				817									
2													
3				817									
4				899									
5				817									
6				FA060				MD6286D					
7				FA337TT				MD6286D					
8				FA337TT				MD6286D					
9				SFA193	SFAC193		SFA193HH	MD943D	MD943C	VR943			
10				893									
11				FA060									
12				FA060				MD664					
13				FA115			FA115HH	MD686					
14				FA093				MD833					
15				FA083TT				MD833					
16				FA060				MD6286D					
17				FA060				MD6286D					
18				FA115			FA115HH	MD6248D					
19				FA060				MD6286D					
20				816									
21				893									
22				SFA193	SFAC193		SFA193HH	MD943D	MD943C	VR943			
23				SFA298	SFAC298		SFA298HH	MD943D	MD943C	VR943			
24				893									
25				893									
26				893									
27				SFA193	SFAC193		SFA193HH	MD943D	MD943C	VR943			
28				893									
29				SFA193	SFAC193		SFA193HH	MD943D	MD943C	VR943			
30				816									
31				816									
32				816									
33				893									
34				816									
35				816									
36				893									
37				SFA298	SFAC298		SFA298HH	MD943D	MD943C	VR943			
38				SFA298	SFAC298		SFA298HH	MD943D	MD943C	VR943			
39				817									
40				816									
41				816									
42				816									
43				SFA298	SFAC298		SFA298HH	MD996D		VR996			
44				SFA298	SFAC298		SFA298HH						
45				893									
46				SFA193	SFAC193		SFA193HH	MD943D	MD943C	VR943			
47				SFA298	SFAC298		SFA298HH	MD996D		VR996			
48				893									
49				FA115			FA115HH	MD6248D					
50				FA115			FA115HH	MD6248D					
51				FA083TT			FA083HH	MD833					
52				FA083TT			FA083HH	MD833					
53				TBC									
54				FA060				MD664					
55				Y527									
56				816									
57				Y527									
58				FA047				MD658					
59		DB604/6		FA047			FA047HH	MD658					
60				SFA298	SFAC298		SFA298HH	MD996D		VR996			

REAR / ARRIÈRE / HINTEN / POSTERIOR / POSTERIORE

R Suffix = High Durability Sintered Pad. **HH** Suffix = High Performance Sintered Pad. **TT** Suffix = Hard Wearing Off Road Pad. **V** Suffix = Semi Sintered Pad. **G** Suffix = Grooved Shoe.
D Suffix = Drilled Disc. **X** Suffix = Universal Left or Right Disc. **XC** Suffix = Contoured Disc. **LS** Suffix = Left/Steel Disc. **RS** = Right/Steel Disc.

*-2 Sets Required. † For Vee disc colours add RED, BLU, GRN, GLD, ORG suffix to part number.

⊙ - Also available as a Vintage Motorcycle Disc. ★ - EPFA available. ⚙ - Disc made of Billet steel. ♦ - CE solid discs for Enduro use.

Part numbers, prefixes, suffixes, photos and illustrations shown in this catalogue are trademarks and/or copyrights of EBC Brakes or the trademark owner A C Freeman Investments Ltd and use without express written permission of the owners is punishable by law.

Non-JAPANESE Built Motorcycles



APRILIA Contd.



		DISC PAD CHOICES - FRONT				BRAKE DISC CHOICES - FRONT					
		FA, SFA, TT Pad or Brake Shoe	SFAC Carbon Scooter Pads	Speciality Pads - SXR / Vee / MXS	Sintered/HH Pads/ Grooved Shoes	Standard Replacement Discs	Contour Disc Universal Left and Right	Vee-Discs Black † See note below	CX Extreme Disc / UTVX Disc	OSX Oversize 250mm or 280mm	Line #
Classic 125	1995-2001	FA167			FA167HH	MD628RS					1
ETX 125	1999-2001	FA194			FA194HH						2
Habana 125 Custom	2000-2002	SFA301	SFAC301		SFA301HH	MD943D	MD943C	VR943			3
Leonardo 125	2005-2006	SFA301	SFAC301		SFA301HH	MD942D		VR942			4
Mojito 125 Custom	2003-2012	SFA301	SFAC301		SFA301HH	MD943D	MD943C	VR943			5
MX 125	2004-2006	FA181TT		MXS181	FA181R	MD2003X		VR2003BLK†			6
Pegaso 125	1991	FA167			FA167HH						7
Pegaso 125 Kat	1994-1995	FA194			FA194HH						8
Red Rose 125	1987	FA256			FA256HH						9
Red Rose 125	1988-1994	FA256			FA256HH	MD628RS					10
RS 125	1992-1998	FA126			FA126HH	MD2003X	MD2003XC	VR2003BLK†			11
RS 125	1999-2005	FA126			FA126HH	MD2003X	MD2003XC	VR2003BLK†			12
RS 125	2006-2012	FA432			FA432HH	MD621X	MD621XC	VR621BLK†			13
RS 125 Euro 5	2017-2024	FA399				MD685LS					14
RS 125 GP Replica	2018-2024	FA399				MD685LS					15
RS4 125	2011-2020	FA399				MD685LS					16
RS4 125	2011-2020	FA095			FA095HH★	MD685LS					17
RX 125	1992-1999	FA194			FA194HH						18
RX 125	2000-2001	FA181TT		MXS181	FA181R						19
RX 125	2008-2012	FA181TT		MXS181	FA181R						20
RX 125	2008-2012	FA181TT		MXS181	FA181R						21
RX 125	2020-2024	SFA228	SFAC228		SFA228HH						22
RX 125 E5	2018-2020	FA181TT			FA181R						23
Scarabeo 125	2007-2010	SFA324	SFAC324		SFA324HH	MD952D		VR952			24
Sport City 125	2004-2008	SFA256	SFAC256		SFA256HH	MD952D		VR952			25
Sport City Cube 125	2008-2012	SFA256	SFAC256		SFA256HH	MD952D		VR952			26
Sport City One 125	2008-2011	SFA353	SFAC353		SFA353HH	MD924D		VR924			27
SR 125 Max	2011-2015	SFA353	SFAC353		SFA353HH	MD983D		VR983			28
SR 125 Motard	2012-2015	SFA353	SFAC353		SFA353HH	MD924D		VR924			29
SR Compact GT 125	2021-2024	SFA693	SFAC693		SFA693HH	TBC					30
SR Compact GT Sport 125	2021-2024	SFA693	SFAC693		SFA693HH	TBC					31
SX 125	2008-2013	FA181TT		MXS181	FA181R						32
SX 125 Euro 5	2018-2024	SFA228	SFAC228		SFA228HH	TBC					33
Tuareg Rally 125	1989	FA163									34
Tuareg Rally 125 L/M	1990-1991	FA256			FA256HH						35
Tuareg Rally 125 N	1993	FA167			FA167HH						36
Tuono 125	2003-2004	FA126			FA126HH	MD2003X	MD2003XC	VR2003BLK†			37
Tuono 125 Euro 5	2018-2024	FA399				MD685LS					38
TX 125/240/311	1986-1988	FA115TT			FA115R						39
AF1 50 Futura Mk1	1990-1992	FA116				MD625LS					40
Leonardo 125/150	1996-1998	SFA193	SFAC193		SFA193HH	MD942D		VR942			41
Leonardo 125/150 ST/SP	1999-2004	SFA301	SFAC301		SFA301HH	MD942D		VR942			42
Scarabeo 125-150	1999-2002	SFA256	SFAC256		SFA256HH	MD952D		VR952			43
Scarabeo 125-150	2003	SFA256	SFAC256		SFA256HH	MD952D		VR952			44
Scarabeo 125-150 GT	2004-2006	SFA324	SFAC324		SFA324HH	MD952D		VR952			45
SR 125/150	1999-2002	SFA301	SFAC301		SFA301HH	MD943D	MD943C	VR943			46
Atlantic 200	2003-2005	SFA324	SFAC324		SFA324HH	MD997D		VR997			47
Scarabeo 200	2007-2009	SFA324	SFAC324		SFA324HH	MD952D		VR952			48
Sport City 200	2004-2008	SFA256	SFAC256		SFA256HH	MD952D		VR952			49
Sport City Cube 200	2008-2009	SFA256	SFAC256		SFA256HH	MD952D		VR952			50
SR Compact GT 200	2021-2024	SFA693	SFAC693		SFA693HH	TBC					51
SR Compact GT Sport 200	2021-2024	SFA693	SFAC693		SFA693HH	TBC					52
TRX 240 M	1989	FA099									53
250	1986	FA047									54
Atlantic 250	2003-2005	SFA324	SFAC324		SFA324HH	MD997D		VR997			55
Atlantic 250 ie	2006-2008	SFA324	SFAC324		SFA324HH	MD997D		VR997			56
Leonardo 250 ST/SP	2000-2004	SFA256	SFAC256		SFA256HH	MD942D		VR942			57
RS 250	Left 1995-1997	FA095*			FA095HH*★	MD660LS					58
	Right					MD660RS					59
											60

FRONT / AVANT / VORN / FRENTE / ANTERIORE

R Suffix = High Durability Sintered Pad. HH Suffix = High Performance Sintered Pad. TT Suffix = Hard Wearing Off Road Pad. V Suffix = Semi Sintered Pad. G Suffix = Grooved Shoe.
D Suffix = Drilled Disc. X Suffix = Universal Left or Right Disc. XC Suffix = Contoured Disc. LS Suffix = Left/Steel Disc. RS = Right/Steel Disc.

*-2 Sets Required. † For Vee disc colours add RED, BLU, GRN, GLD, ORG suffix to part number.

⊗ - Also available as a Vintage Motorcycle Disc. ★ - EPFA available. ⚙ Disc made of Billet steel. ♦ CE solid discs for Enduro use.

130 Part numbers, prefixes, suffixes, photos and illustrations shown in this catalogue are trademarks and/or copyrights of EBC Brakes or the trademark owner A C Freeman Investments Ltd and use without express written permission of the owners is punishable by law.

Non-JAPANESE Built Motorcycles

Line #	BRAKE DISC CHOICES - FRONT			DISC PAD CHOICES - REAR				BRAKE DISC CHOICES - REAR					
	SMX Oversize 320mm Disc Kit Front Left	Front disc bolt kit	Front Brake Line	FA, SFA, TT Pad or Brake Shoe	SFAC Carbon Scooter Pads	Speciality Pads - SXR / Vee / MXS	Sintered HH/R Pads/ Grooved Shoes	Standard Replacement Disc	Contour Disc Rear Fitment	Vee Discs CONTOUR	CX Extreme MX Race Disc / UTVX Disc	Rear disc bolt kit	Rear Brake Line
1				921									
2				FA173									
3				816									
4				SFA301	SFAC301		SFA301HH	MD990D		VR990			
5				816									
6		DB604/6		FA382				MD6315D					
7				FA382									
8				FA382									
9				FA047			FA047HH						
10				921									
11		DB604/6		FA047			FA047HH	MD659					
12		DB604/6		FA047			FA047HH	MD664	MD664C				
13		DB604/6		FA298			SFA298HH	MD664	MD664C				
14				FA083TT				MD833					
15				FA083TT				MD833					
16				FA093				MD833					
17				FA083TT			FA083HH	MD833					
18				FA382				MD6315D					
19				FA382				MD6315D					
20				FA067			FA067R						
21				FA093									
22				FA083TT									
23				FA083TT									
24				SFA298	SFAC298		SFA298HH						
25				SFA298	SFAC298		SFA298HH	MD942D		VR942			
26				SFA298	SFAC298		SFA298HH	MD942D		VR942			
27				816									
28				SFA353	SFAC353		SFA353HH	MD960D					
29				816									
30				SFA418	SFAC418		SFA418HH						
31				SFA418	SFAC418		SFA418HH						
32				FA067			FA067R						
33				FA087TT			FA083HH						
34				FA382				MD6315D					
35				FA382				MD6315D					
36				FA382									
37		DB604/6		FA047			FA047HH	MD664	MD664C				
38				FA083TT				MD833					
39							841G						
40				FA060									
41				SFA193	SFAC193		SFA193HH	MD943D		VR943			
42				SFA301	SFAC301		SFA301HH	MD943D		VR943			
43				SFA298	SFAC298		SFA298HH	MD942D		VR942			
44				SFA298	SFAC298		SFA298HH	MD942D		VR942			
45				SFA298	SFAC298		SFA298HH	MD942D		VR942			
46				816									
47				SFA298	SFAC298		SFA298HH	MD996D		VR996			
48				SFA298	SFAC298		SFA298HH						
49				SFA298	SFAC298		SFA298HH	MD942D		VR942			
50				SFA298	SFAC298		SFA298HH	MD942D		VR942			
51				SFA418	SFAC418		SFA418HH						
52				SFA418	SFAC418		SFA418HH						
53				FA099									
54							841G						
55				SFA298	SFAC298		SFA298HH	MD996D		VR996			
56				SFA298	SFAC298		SFA298HH	MD996D		VR996			
57				SFA298	SFAC298		SFA298HH	MD990D		VR990			
58													BLM8008-1R
59				FA047			FA047HH	MD665					
60													

REAR / ARRIÈRE / HINTEN / POSTERIOR / POSTERIORE

R Suffix = High Durability Sintered Pad. **HH** Suffix = High Performance Sintered Pad. **TT** Suffix = Hard Wearing Off Road Pad. **V** Suffix = Semi Sintered Pad. **G** Suffix = Grooved Shoe.
D Suffix = Drilled Disc. **X** Suffix = Universal Left or Right Disc. **XC** Suffix = Contoured Disc. **LS** Suffix = Left/Steel Disc. **RS** = Right/Steel Disc.

BRAKE APPLICATIONS

*-2 Sets Required. † For Vee disc colours add RED, BLU, GRN, GLD, ORG suffix to part number.

⊙ - Also available as a Vintage Motorcycle Disc. ★ - EPFA available. Ⓢ Disc made of Billet steel. ◆ CE solid discs for Enduro use.

Part numbers, prefixes, suffixes, photos and illustrations shown in this catalogue are trademarks and/or copyrights of EBC Brakes or the trademark owner A C Freeman Investments Ltd and use without express written permission of the owners is punishable by law.

Non-JAPANESE Built Motorcycles



APRILIA Contd.



		DISC PAD CHOICES - FRONT				BRAKE DISC CHOICES - FRONT					Line #	
		FA, SFA, TT Pad or Brake Shoe	SFAC Carbon Scooter Pads	Speciality Pads - SXR / Vee / MXS	Sintered/HH Pads/ Grooved Shoes	Standard Replacement Discs	Contour Disc Universal Left and Right	Vee-Discs Black † See note below	CX Extreme Disc / UTVX Disc	OSX Oversize 250mm or 280mm		
RS 250	Left Right	1998-2002	FA244*			FA244HH*★	MD660LS MD660RS					1 2
Scarabeo 250		2006	SFA324	SFAC324		SFA324HH	MD952D		VR952			3
Scarabeo 250 ie		2007-2010	SFA324	SFAC324		SFA324HH	MD952D		VR952			4
Sport City 250 Cube		2008-2009	SFA256*	SFAC256*		SFA256HH*	MD952D*		VR952*			5
Sport City 250 ie		2006-2008	SFA256*	SFAC256*		SFA256HH*	MD952D*		VR952*			6
280 Climber		1994-1996	FA115TT			FA115R						7
280 R Climber		1992-1993	FA115TT			FA115R						8
Atlantic 300		2010-2011	SFA324	SFAC324		SFA324HH	MD997D		VR997			9
Leonardo 300		2005-2006	SFA256	SFAC256		SFA256HH	MD942D		VR942			10
Scarabeo 300 S		2009-2010	SFA324	SFAC324		SFA324HH	MD952D		VR952			11
Sport City Cube 300		2008-2012	SFA256*	SFAC256*		SFA256HH*	MD952D*		VR952*			12
Sport City Cube 300 Blackline		2011	SFA256*	SFAC256*		SFA256HH*	MD952D*		VR952*			13
SR 300 Max		2011-2015	SFA353	SFAC353		SFA353HH	MD983D		VR983			14
TX 311		1988	FA115TT			FA115R						15
Atlantic Sprint 400		2005-2008	SFA324	SFAC324		SFA324HH						16
Scarabeo 400 ie		2007-2008	SFA256*	SFAC256*		SFA256HH*	MD952D*		VR952*			17
MXV 450		2009-2013	FA185TT		MXS185	FA185R						18
Atlantic 500		2002-2004	SFA256*	SFAC256*		SFA256HH*	MD952D*		VR952*			19
Atlantic Sprint 500		2005-2008	SFA324	SFAC324		SFA324HH						20
Scarabeo 500		2003-2006	SFA256*	SFAC256*		SFA256HH*	MD952D*		VR952*			21
Scarabeo 500 ie		2007-2009	SFA256*	SFAC256*		SFA256HH*	MD952D*		VR952*			22
Scarabeo 500 Light		2006	SFA256*	SFAC256*		SFA256HH*	MD952D*		VR952*			23
RXV 450/550 Enduro		2006-2013	FA185TT		MXS185	FA185R						24
SVX 450/550 Supermoto		2006-2013			MXS405							25
Pegaso 600		1991	FA167			FA167HH						26
Tuareg Wind 600		1989	FA163				MD6180D					27
Moto 6.5		1995-2001	FA209/2			FA209/2HH★	MD673LS					28
Pegaso 650		1991-1996	FA177				MD6129D					29
Pegaso 650		1997-2000	FA209/2			FA209/2HH★	MD6129D					30
Pegaso 650		2007-2008	FA244			FA244HH★	MD621X	MD621XC	VR621BLK†			31
Pegaso 650 Factory		2006-2008			MXS405		MD621X	MD621XC	VR621BLK†			32
Pegaso 650 ie		2001-2004	FA209/2			FA209/2HH★	MD6129D					33
Pegaso 650 Strada		2005-2006	FA244			FA244HH★	MD621X	MD621XC	VR621BLK†			34
Pegaso 650 Trial		2006-2008	FA209/2			FA209/2HH★	MD6129D					35
RS 660 8V ABS		2020-2024				FA630HH*★	MD2003X*	MD2003XC*				36
RS 660 8V Tuono ABS		2020-2024				FA630HH*★	MD2003X*	MD2003XC*				37
Tuareg 660		2021-2024				FA209/2HH*★						38
Dorsodura 750		2008-2016	FA432*			FA432HH*		MD870XC*				39
Dorsodura Factory 750		2010-2013	FA244*			FA244HH*★		MD870XC*				40
Dorsodura Factory 750		2010-2012	FA244*			FA244HH*★		MD870XC*				41
Shiver 750 GT		2009-2012	FA432*			FA432HH*	MD621X*	MD621XC*	VR621BLK*†			42
Shiver 750 RA000		2007-2010	FA432*			FA432HH*	MD621X*	MD621XC*	VR621BLK*†			43
Shiver 750 RAE00		2010-2016	FA432*			FA432HH*		MD870XC*				44
NA 850 Mana		2008-2011	FA432*			FA432HH*	MD621X*	MD621XC*	VR621BLK*†			45
NA 850 Mana		2008-2013	FA432*			FA432HH*	MD621X*	MD621XC*	VR621BLK*†			46
NA 850 Mana GT		2009-2016	FA432*			FA432HH*	MD621X*	MD621XC*	VR621BLK*†			47
SRV 850		2012-2014	SFA181*	SFAC181*		SFA181HH*	MD9125D*					48
Dorsoduro 900		2017-2021	FA432*			FA432HH*	MD2003X*	MD2003XC*	VR2003BLK*†			49
Shiver 900		2015-2018				FA447HH*★	MD2003X*	MD2003XC*	VR2003BLK*†			50
Shiver 900		2017-2021	FA432*			FA432HH*	MD2003X*	MD2003XC*	VR2003BLK*†			51
ETV 1000 Capnord Rally		2003	FA209/2*		FA209/2V*	FA209/2HH*★	MD6406D*					52
ETV 1000 Caponord		2001-2003	FA209/2*		FA209/2V*	FA209/2HH*★	MD6307D*					53
ETV 1000 Caponord		2004-2007	FA209/2*		FA209/2V*	FA209/2HH*★	MD6406D*					54
ETV 1000 Caponord		2001-2003	FA209/2*		FA209/2V*	FA209/2HH*★	MD6307D*					55
RST Futura 1000		2001-2004	FA244*			FA244HH*★	MD2001X*	MD2001XC*	VR2001BLK*†			56
RSV 1000 Factory R		2004-2008				FA322/4HH*★	MD621X*	MD621XC*	VR621BLK*†			57
RSV 1000 Mille		1998-2000				FA244HH*★	MD666X*	MD666XC*				58
RSV 1000 Mille		2001-2002				FA322/4HH*★	MD621X*	MD621XC*	VR621BLK*†			59
RSV 1000 Mille		2003				FA322/4HH*★	MD621X*	MD621XC*	VR621BLK*†			60

FRONT / AVANT / VORN / FRENTE / ANTERIORE

R Suffix = High Durability Sintered Pad. HH Suffix = High Performance Sintered Pad. TT Suffix = Hard Wearing Off Road Pad. V Suffix = Semi Sintered Pad. G Suffix = Grooved Shoe.
D Suffix = Drilled Disc. X Suffix = Universal Left or Right Disc. XC Suffix = Contoured Disc. LS Suffix = Left/Steel Disc. RS = Right/Steel Disc.

*-2 Sets Required. † For Vee disc colours add RED, BLU, GRN, GLD, ORG suffix to part number.

⊗ - Also available as a Vintage Motorcycle Disc. ★ - EPFA available. ⚙ Disc made of Billet steel. ♦ CE solid discs for Enduro use.

Non-JAPANESE Built Motorcycles

Line #	BRAKE DISC CHOICES - FRONT			DISC PAD CHOICES - REAR				BRAKE DISC CHOICES - REAR					
	SMX Oversize 320mm Disc Kit Front Left	Front disc bolt kit	Front Brake Line	FA, SFA, TT Pad or Brake Shoe	SFAC Carbon Scooter Pads	Speciality Pads - SXR / Vee / MXS	Sintered HH/R Pads/ Grooved Shoes	Standard Replacement Disc	Contour Disc Rear Fitment	Vee Discs CONTOUR	CX Extreme MX Race Disc / UTVX Disc	Rear disc bolt kit	Rear Brake Line
1													BLM8009-1R
2				FA047			FA047HH	MD665					
3				SFA298	SFAC298		SFA298HH						
4				SFA298	SFAC298		SFA298HH						
5				SFA298	SFAC298		SFA298HH	MD942D		VR942			
6				SFA298	SFAC298		SFA298HH	MD942D		VR942			
7				FA156									
8				FA337TT			FA337R						
9				SFA298	SFAC298		SFA298HH	MD996D		VR996			
10				SFA298	SFAC298		SFA298HH	MD990D		VR990			
11				SFA298	SFAC298		SFA298HH						
12				SFA298	SFAC298		SFA298HH	MD942D		VR942			
13				SFA298	SFAC298		SFA298HH	MD942D		VR942			
14				SFA353	SFAC353		SFA353HH	MD960D		VR960			
15				FA115TT			FA115R						
16				SFA298	SFAC298		SFA298HH	MD990D					
17				SFA298	SFAC298		SFA298HH						
18				FA367TT		MXS367	FA367R						
19				SFA298	SFAC298		SFA298HH	MD990D		VR990			
20				SFA298	SFAC298		SFA298HH	MD990D					
21				SFA298	SFAC298		SFA298HH	MD990D		VR990			
22				SFA298	SFAC298		SFA298HH						
23				SFA298	SFAC298		SFA298HH						
24				FA367TT		MXS367	FA367R						
25				FA367TT		MXS367	FA367R						
26				FA382									
27				FA382									
28				FA173				MD674					
29				FA173				MD6128D					
30			BLM8003-1F	FA173				MD6128D					
31		DB604/6		FA213			FA213HH★						
32		DB604/6		FA213			FA213HH★						
33				FA208TT			FA208R						
34		DB604/6	BLM8004-1F	FA213			FA213HH★						
35				FA213			FA213HH★						
36		DB604/6					FA266HH★	MD613	MD613C	VR613			
37		DB604/6					FA266HH★	MD613	MD613C	VR613			
38				FA208TT		MXS208	FA208R						
39		DB604/6		FA213			FA213HH★	MD845				DB604/5	
40		DB604/6		FA213			FA213HH★	MD845				DB604/5	
41		DB604/6		FA213			FA213HH★	MD845				DB604/5	
42		DB604/6		FA213			FA213HH★	MD845				DB604/5	
43		DB604/6		FA213			FA213HH★	MD845				DB604/5	
44		DB604/6		FA213			FA213HH★	MD845				DB604/5	
45		DB604/6		FA256			FA256HH	MD858	MD858C	VR858		DB604/5	
46		DB604/6		FA256			FA256HH	MD872	MD872C	VR872		DB604/5	
47		DB604/6		FA256			FA256HH	MD872	MD872C	VR872		DB604/5	
48				SFA353	SFAC353		SFA353HH	MD9124D					
49		DB604/6		FA213			FA213HH★	MD613					
50		DB604/6		FA266			FA266HH★	MD613				DB604/5	
51		DB604/6		FA213			FA213HH★	MD613				DB604/5	
52				FA266			FA266HH★	MD6308D					
53				FA266			FA266HH★	MD6308D					
54				FA266			FA266HH★	MD6308D					
55				FA266			FA266HH★	MD6308D					
56		DB604/6	BLM8013-3F	FA181TT			FA181HH	MD697	MD697C				
57		DB604/6					FA266HH★	MD613	MD613C			DB604/5	
58			BLM8015-3F				FA266HH★	MD613	MD613C				
59		DB604/6	BLM8015-3F				FA266HH★	MD613	MD613C			DB604/5	
60		DB604/6	BLM8015-3F				FA266HH★	MD613	MD613C			DB604/5	

REAR / ARRIÈRE / HINTEN / POSTERIORE

R Suffix = High Durability Sintered Pad. HH Suffix = High Performance Sintered Pad. TT Suffix = Hard Wearing Off Road Pad. V Suffix = Semi Sintered Pad. G Suffix = Grooved Shoe.
D Suffix = Drilled Disc. X Suffix = Universal Left or Right Disc. XC Suffix = Contoured Disc. LS Suffix = Left/Steel Disc. RS = Right/Steel Disc.

*-2 Sets Required. † For Vee disc colours add RED, BLU, GRN, GLD, ORG suffix to part number.

⊙ - Also available as a Vintage Motorcycle Disc. ★ - EPFA available. ⚙ - Disc made of Billet steel. ♦ - CE solid discs for Enduro use.

Part numbers, prefixes, suffixes, photos and illustrations shown in this catalogue are trademarks and/or copyrights of EBC Brakes or the trademark owner A C Freeman Investments Ltd and use without express written permission of the owners is punishable by law.

Non-JAPANESE Built Motorcycles



APRILIA Contd.

RSV 1000 Mille R	2000
RSV 1000 Mille R	2001-2002
RSV 1000 Mille R	2003
RSV 1000 R	2004-2008
RSV 1000 R Racing/Factory	2004-2008
RSV 1000 R SP	1999-2000
RSV 1000 Tuono R	2002-2006
RSV 1000 Tuono R	2007-2008
RSV4 1000 RR	2015-2018
RSV4 Factory	2009-2010
RSV4 Factory APRC	2011-2013
RSV4 Factory APRC	2013-2014
RSV4 R	2010
RSV4 R APRC	2011-2013
RSV4 R APRC	2013-2014
SL 1000 Falco	2000-2004
Tuono R 1000	2002-2005
Tuono R 1000	2002-2010
Tuono R 1000 Factory	2006-2010
RSV4 1100 Factory	2019-2024
RSV4 1100 RR	2019-2024
Tuono 1100 V4 Factory	2015-2016
Tuono 1100 V4 Factory	2017-2018
Tuono 1100 V4 Factory 1100	2019-2024
Tuono 1100 V4 RR	2015-2016
Tuono 1100 V4 RR 1100	2017-2024
Tuono 1100 V4R	2011-2012
Tuono 1100 V4R - APRC	2011-2013
Tuono 1100 V4R - APRC	2013-2014
Caponord 1200	2013-2016
Caponord Rally 1200	2015-2020
Dorsoduro 1200	2011-2012
Dorsoduro 1200 ATC	2011-2014

ARCTIC CAT ATV

50 All models	2004-2008
50 Mkl All Models	2002-2008
90 All Models	2002-2005
90 Alterra	2017-2023
90 DVX	2006-2015
90 Reverse Gear Model	2010-2014
150 Utility 2 x 4	2009-2014
150 Utility 2 x 4	2015-2018
250 2 x 4 Utility	1999-2004
250 2 x 4 Utility	2005-2009
250 4 x 4 Utility	2001-2006
250 DVX Sport	2006-2008
300 2 x 4 Utility Mid Size	2010-2016
300 4 x 4	1998-2004
300 4 x 4 Utility	2005
300 Alterra	2017-2023
300 ATV	2010-2012
300 DVX	2009-2014
350 ATV	2012
366 4 x 4 Auto Utility	2008-2009
366 SE	2010
400 2 x 4 Auto Utility	2004
400 2 x 4 Utility	1998-2004
400 4 x 4 ACT	2004
400 4 x 4 Auto ACT	2004

	DISC PAD CHOICES - FRONT				BRAKE DISC CHOICES - FRONT					Line #
	FA, SFA, TT Pad or Brake Shoe	SFAC Carbon Scooter Pads	Speciality Pads - SXR / Vee / MXS	Sintered/HH Pads/ Grooved Shoes	Standard Replacement Discs	Contour Disc Universal Left and Right	Vee-Discs Black † See note below	CX Extreme Disc / UTVX Disc	OSX Oversize 250mm or 280mm	
				FA244HH*★	MD666X*	MD666XC*				1
				FA322/4HH*★	MD621X*	MD621XC*	VR621BLK*†			2
				FA322/4HH*★	MD621X*	MD621XC*	VR621BLK*†			3
				FA322/4HH*★	MD621X*	MD621XC*	VR621BLK*†			4
				FA322/4HH*★	MD621X*	MD621XC*	VR621BLK*†			5
				FA244HH*★	MD621X*	MD621XC*	VR621BLK*†			6
				FA244HH*★	MD621X*	MD621XC*	VR621BLK*†			7
				FA244HH*★	MD621X*	MD621XC*	VR621BLK*†			8
				FA447HH*★	MD2003X*	MD2003XC*	VR2003BLK*†			9
				FA447HH*★	MD2003X*	MD2003XC*	VR2003BLK*†			10
				FA447HH*★	MD2003X*	MD2003XC*	VR2003BLK*†			11
				FA447HH*★	MD2003X*	MD2003XC*	VR2003BLK*†			12
				FA447HH*★	MD2003X*	MD2003XC*	VR2003BLK*†			13
				FA447HH*★	MD2003X*	MD2003XC*	VR2003BLK*†			14
				FA447HH*★	MD2003X*	MD2003XC*	VR2003BLK*†			15
				FA244HH*★	MD666X*	MD666XC*				16
				FA322/4HH*★	MD621X*	MD621XC*	VR621BLK*†			17
				FA244HH*★	MD621X*	MD621XC*	VR621BLK*†			18
				FA322/4HH*★	MD621X*	MD621XC*	VR621BLK*†			19
				FA447HH*★	MD8004X*					20
				FA447HH*★	MD8004X*					21
				FA630HH*★	MD2003X*	MD2003XC*	VR2003BLK*†			22
				FA447HH*★	MD8004X*					23
				FA447HH*★	MD8004X*					24
				FA630HH*★	MD2003X*	MD2003XC*	VR2003BLK*†			25
				FA447HH*★	MD8004X*					26
				FA244HH*★	MD2003X*	MD2003XC*	VR2003BLK*†			27
				FA244HH*★	MD2003X*	MD2003XC*	VR2003BLK*†			28
				FA630HH*★	MD2003X*	MD2003XC*	VR2003BLK*†			29
				FA630HH*★	MD2003X*	MD2003XC*	VR2003BLK*†			30
				FA244HH*★	MD2003X*	MD2003XC*	VR2003BLK*†			31
				FA244HH*★	MD2003X*	MD2003XC*	VR2003BLK*†			32
				FA244HH*★	MD2003X*	MD2003XC*	VR2003BLK*†			33
										34
										35
	H338*			H338G*						36
	H338*			H338G*						37
	H338*			H338G*						38
	H338*			H338G*						39
	H338*			H338G*						40
	H338*			H338G*						41
	H303*			H303G*						42
	H303*			H303G*						43
	FA271TT*			FA271R*	MD6173D*			UTVX6173*		44
	FA395TT*			FA395R*	MD6173D*			UTVX6173*		45
	FA271TT*			FA271R*	MD6173D*			UTVX6173*		46
	FA377TT*			FA377R*	MD6267D*					47
	FA377TT*			FA377R*	MD6267D*					48
	FA271TT*			FA271R*	MD6173D*			UTVX6173*		49
	FA395TT*			FA395R*	MD6173D*			UTVX6173*		50
	FA377TT*			FA377R*	MD6267D*					51
	FA395TT*			FA395R*	MD6173D*			UTVX6173*		52
	FA377TT*			FA377R*	MD6267D*					53
	FA395TT*			FA395R*	MD6173D*			UTVX6173*		54
	FA395TT*			FA395R*	MD6173D*			UTVX6173*		55
	FA395TT*			FA395R*	MD6173D*			UTVX6173*		56
	FA271TT*			FA271R*	MD6173D*			UTVX6173*		57
	FA271TT*			FA271R*	MD6173D*			UTVX6173*		58
	FA271TT*			FA271R*	MD6173D*			UTVX6173*		59
	FA271TT*			FA271R*	MD6173D*			UTVX6173*		60

FRONT / AVANT / VORN / FRENTE / ANTERIORE

R Suffix = High Durability Sintered Pad. HH Suffix = High Performance Sintered Pad. TT Suffix = Hard Wearing Off Road Pad. V Suffix = Semi Sintered Pad. G Suffix = Grooved Shoe.
D Suffix = Drilled Disc. X Suffix = Universal Left or Right Disc. XC Suffix = Contoured Disc. LS Suffix = Left/Steel Disc. RS = Right/Steel Disc.

*-2 Sets Required. † For Vee disc colours add RED, BLU, GRN, GLD, ORG suffix to part number.

⊗ - Also available as a Vintage Motorcycle Disc. ★ - EPFA available. ⚙ - Disc made of Billet steel. ♦ - CE solid discs for Enduro use.

Non-JAPANESE Built Motorcycles

Line #	BRAKE DISC CHOICES - FRONT			DISC PAD CHOICES - REAR				BRAKE DISC CHOICES - REAR					
	SMX Oversize 320mm Disc Kit Front Left	Front disc bolt kit	Front Brake Line	FA, SFA, TT Pad or Brake Shoe	SFAC Carbon Scooter Pads	Speciality Pads - SXR / Vee / MXS	Sintered HH/R Pads/ Grooved Shoes	Standard Replacement Disc	Contour Disc Rear Fitment	Vee Discs CONTOUR	CX Extreme MX Race Disc / UTVX Disc	Rear disc bolt kit	Rear Brake Line
1		DB604/6					FA266HH★	MD613	MD613C			DB604/5	
2		DB604/6					FA266HH★	MD613	MD613C			DB604/5	
3		DB604/6	BLM8017-3F				FA266HH★	MD613	MD613C			DB604/5	
4		DB604/6					FA266HH★	MD613	MD613C				
5		DB604/6					FA266HH★	MD613	MD613C			DB604/5	
6		DB604/6					FA266HH★	MD613	MD613C				
7		DB604/6					FA266HH★	MD613	MD613C				
8		DB604/6	BLM8018-3F				FA266HH★	MD613	MD613C			DB604/5	
9		DB604/6					FA266HH★	MD613					
10		DB604/6					FA266HH★	MD613	MD613C				
11		DB604/6					FA266HH★	MD613	MD613C				
12		DB604/6					FA266HH★	MD613	MD613C				
13		DB604/6					FA266HH★	MD613	MD613C				
14		DB604/6					FA266HH★	MD613	MD613C				
15		DB604/6					FA266HH★	MD613	MD613C				
16		DB604/6					FA266HH★	MD613	MD613C			DB604/5	
17		DB604/6					FA266HH★	MD613	MD613C				
18		DB604/6					FA266HH★	MD613	MD613C				
19		DB604/6					FA266HH★	MD613	MD613C				
20							FA266HH★	MD613					
21							FA266HH★	MD613					
22		DB604/6					FA266HH★	MD613					
23		DB604/6					FA266HH★	MD613					
24		DB604/6					FA266HH★	MD613					
25		DB604/6					FA266HH★	MD613					
26		DB604/6					FA266HH★	MD613					
27		DB604/6					FA266HH★	MD613					
28		DB604/6					FA266HH★	MD613					
29		DB604/6					FA266HH★	MD613					
30		DB604/6					FA213HH★	MD845					
31		DB604/6					FA213HH★	MD845					
32		DB604/6					FA213HH★						
33		DB604/6					FA213HH★						
34													
35													
36							FA305R	MD6267D					
37							H307G						
38							H307G						
39							FA377TT	MD6267D					
40							FA305R	MD6267D					
41							FA305R	MD6267D					
42							FA305R	MD6267D					
43							FA377TT	MD6267D					
44							FA271TT	MD6173D			UTVX6173		
45							FA395TT	MD6173D			UTVX6173		
46							FA271TT	MD6173D			UTVX6173		
47							FA355/4TT	MD6268D					
48							FA377TT*						
49							FA271TT	MD6173D			UTVX6173		
50							FA395TT	MD6173D			UTVX6173		
51							FA377TT	MD6267D					
52							FA395TT	MD6173D			UTVX6173		
53							FA355/4TT	MD6268D					
54							FA395TT	MD6173D			UTVX6173		
55							FA395TT	MD6173D			UTVX6173		
56							FA395TT	MD6173D			UTVX6173		
57							FA271TT	MD6173D			UTVX6173		
58							FA271TT	MD6173D			UTVX6173		
59							FA271TT	MD6173D			UTVX6173		
60							FA271TT	MD6173D			UTVX6173		

REAR / ARRIÈRE / HINTEN / POSTERIOR / POSTERIORE

R Suffix = High Durability Sintered Pad. HH Suffix = High Performance Sintered Pad. TT Suffix = Hard Wearing Off Road Pad. V Suffix = Semi Sintered Pad. G Suffix = Grooved Shoe.
D Suffix = Drilled Disc. X Suffix = Universal Left or Right Disc. XC Suffix = Contoured Disc. LS Suffix = Left/Steel Disc. RS = Right/Steel Disc.

BRAKE APPLICATIONS

*-2 Sets Required. † For Vee disc colours add RED, BLU, GRN, GLD, ORG suffix to part number.

⊙ - Also available as a Vintage Motorcycle Disc. ★ - EPFA available. ⚙ - Disc made of Billet steel. ♦ - CE solid discs for Enduro use.

Part numbers, prefixes, suffixes, photos and illustrations shown in this catalogue are trademarks and/or copyrights of EBC Brakes or the trademark owner A C Freeman Investments Ltd and use without express written permission of the owners is punishable by law.

Non-JAPANESE Built Motorcycles



ARCTIC CAT ATV Contd.



DISC PAD CHOICES - FRONT

BRAKE DISC CHOICES - FRONT

FRONT / AVANT / VORN / FRENTE / ANTERIORE

FA, SFA, TT Pad or Brake Shoe	SFAC Carbon Scooter Pads	Speciality Pads - SXR / Vee / MXS	Sintered/HH Pads/ Grooved Shoes	Standard Replacement Discs	Contour Disc Universal Left and Right	Vee-Discs Black † See note below	CX Extreme Disc / UTVX Disc	OSX Oversize 250mm or 280mm
400 4 x 4 Auto LE Utility 2005-2007			FA395TT*	MD6173D*			UTVX6173*	
400 4 x 4 Auto TBX Utility 2004			FA271TT*	MD6173D*			UTVX6173*	
400 4 x 4 Auto TBX Utility 2005-2006			FA395TT*	MD6173D*			UTVX6173*	
400 4 x 4 Auto TRV Multirider 2006			FA395TT*	MD6173D*			UTVX6173*	
400 4 x 4 Auto TRV Plus Multirider 2007			FA395TT*	MD6173D*			UTVX6173*	
400 4 x 4 Auto Utility 2004			FA271TT*	MD6173D*			UTVX6173*	
400 4 x 4 Auto Utility 2005-2008			FA395TT*	MD6173D*			UTVX6173*	
400 4 x 4 Auto VP Utility 2005-2006			FA395TT*	MD6173D*			UTVX6173*	
400 4 x 4 Utility 2000-2004			FA271TT*	MD6173D*			UTVX6173*	
400 4 x 4 Utility 2005-2007			FA395TT*	MD6173D*			UTVX6173*	
400 4 x 4 VP Utility 2005-2006			FA395TT*	MD6173D*			UTVX6173*	
400 Alterra 2016-2018			FA395TT*	MD6383D*			UTVX6383*	
400 ATV Mid Size 2013-2014			FA395TT*	MD6383D*			UTVX6383*	
400 DVX Sport 2004-2008			FA084TT*	MD6210D*				
400 DVX TS Sport 2006-2007			FA084TT*	MD6210D*				
400 TRV 2009			FA395TT*	MD6173D*			UTVX6173*	
400 TRV 2013			FA395TT*	MD6173D*			UTVX6173*	
400 TRV H1 2010			FA395TT*	MD6173D*			UTVX6173*	
425i 2012			FA395TT*	MD6173D*			UTVX6173*	
425i SE 2012			FA395TT*	MD6173D*			UTVX6173*	
450 H1 EFI 2010			FA395TT*	MD6173D*			UTVX6173*	
450 TRV 2011-2012			FA395TT*	MD6173D*			UTVX6173*	
450i 2011-2012			FA395TT*	MD6173D*			UTVX6173*	
450i Alterra 2016-2023			FA395TT*	MD6173D*			UTVX6173*	
450i GT 2012			FA395TT*	MD6173D*			UTVX6173*	
450i TRV 2011			FA395TT*	MD6173D*			UTVX6173*	
450i XC 2011-2012			FA395TT*	MD6173D*			UTVX6173*	
450i XC 2013-2014			FA395TT*	MD6173D*			UTVX6173*	
450i XC 2015-2017			FA395TT*	MD6173D*			UTVX6173*	
454 Bearcat 2 x 4 1997-1998			FA271TT*	MD6173D*			UTVX6173*	
454 Bearcat 4 x 4 1996-1998			FA271TT*	MD6173D*			UTVX6173*	
500 4 x 4 Auto LE Utility 2005-2006			FA395TT*	MD6173D*			UTVX6173*	
500 4 x 4 Auto TBX Utility 2004			FA271TT*	MD6173D*			UTVX6173*	
500 4 x 4 Auto TBX Utility 2005-2006			FA395TT*	MD6173D*			UTVX6173*	
500 4 x 4 Auto TRV Multirider 2005-2007			FA395TT*	MD6173D*			UTVX6173*	
500 4 x 4 Auto TRV Utility 2004			FA271TT*	MD6173D*			UTVX6173*	
500 4 x 4 Auto Utility 1998-2004			FA271TT*	MD6173D*			UTVX6173*	
500 4 x 4 Auto Utility 2005-2008			FA395TT*	MD6173D*			UTVX6173*	
500 4 x 4 Manual G/Box Utility 1998-2004			FA271TT*	MD6173D*			UTVX6173*	
500 4 x 4 Manual G/Box Utility 2005-2009			FA395TT*	MD6173D*			UTVX6173*	
500 ATV Mid Size 2013-2014			FA395TT*	MD6383D*			UTVX6383*	
500 ATV XT Mid Size 2013-2014			FA395TT*	MD6383D*			UTVX6383*	
500 TRV Core/2 Up 2013-2014			FA395TT*	MD6383D*			UTVX6383*	
500 Alterra 2016-2019			FA395TT*	MD6383D*			UTVX6383*	
550 ATV LTD Mid Size 2013-2014			FA395TT*	MD6383D*			UTVX6383*	
550 ATV Mid Size 2013-2014			FA395TT*	MD6383D*			UTVX6383*	
550 ATV XT Mid Size 2013-2014			FA395TT*	MD6383D*			UTVX6383*	
550 Alterra TRV XT 2016-2019			FA395TT*	MD6383D*			UTVX6383*	
550 GT S TRV 2010			FA395TT*	MD6173D*			UTVX6173*	
550 GT TRV 2011-2012			FA395TT*	MD6173D*			UTVX6173*	
550 H1 EFI 2009-2010			FA395TT*	MD6173D*			UTVX6173*	
550 H1 EFI LE 2009-2010			FA395TT*	MD6173D*			UTVX6173*	
550 S 2010			FA395TT*	MD6173D*			UTVX6173*	
550 S LTD 2010			FA395TT*	MD6173D*			UTVX6173*	
550 TRV 2011			FA395TT*	MD6173D*			UTVX6173*	
550 TRV Cruiser 2011			FA395TT*	MD6173D*			UTVX6173*	
550 TRV EFI 2009-2010			FA395TT*	MD6173D*			UTVX6173*	
550 TRV EFI LE 2009-2010			FA395TT*	MD6173D*			UTVX6173*	
550 TRV LTD/2 Up 2013-2014			FA395TT*	MD6383D*			UTVX6383*	
550i 2011-2012			FA395TT*	MD6173D*			UTVX6173*	

Line #

R Suffix = High Durability Sintered Pad. HH Suffix = High Performance Sintered Pad. TT Suffix = Hard Wearing Off Road Pad. V Suffix = Semi Sintered Pad. G Suffix = Grooved Shoe.
D Suffix = Drilled Disc. X Suffix = Universal Left or Right Disc. XC Suffix = Contoured Disc. LS Suffix = Left/Steel Disc. RS = Right/Steel Disc.

*-2 Sets Required. † For Vee disc colours add RED, BLU, GRN, GLD, ORG suffix to part number.

⊗ - Also available as a Vintage Motorcycle Disc. ★ - EPFA available. ⚙ Disc made of Billet steel. ♦ CE solid discs for Enduro use.

Non-JAPANESE Built Motorcycles

Line #	BRAKE DISC CHOICES - FRONT			DISC PAD CHOICES - REAR				BRAKE DISC CHOICES - REAR					
	SMX Oversize 320mm Disc Kit Front Left	Front disc bolt kit	Front Brake Line	FA, SFA, TT Pad or Brake Shoe	SFAC Carbon Scooter Pads	Speciality Pads - SXR / Vee / MXS	Sintered HH/R Pads/ Grooved Shoes	Standard Replacement Disc	Contour Disc Rear Fitment	Vee Discs CONTOUR	CX Extreme MX Race Disc / UTVX Disc	Rear disc bolt kit	Rear Brake Line
1				FA395TT			FA395R	MD6173D			UTVX6173		
2				FA271TT			FA271R	MD6173D			UTVX6173		
3				FA395TT			FA395R	MD6173D			UTVX6173		
4				FA395TT			FA395R	MD6173D			UTVX6173		
5				FA395TT			FA395R	MD6173D			UTVX6173		
6				FA271TT			FA271R	MD6173D			UTVX6173		
7				FA395TT			FA395R	MD6173D			UTVX6173		
8				FA395TT			FA395R	MD6173D			UTVX6173		
9				FA271TT			FA271R	MD6173D			UTVX6173		
10				FA395TT			FA395R	MD6173D			UTVX6173		
11				FA395TT			FA395R	MD6173D			UTVX6173		
12				FA395TT			FA395R	MD6383D					
13				FA395TT			FA395R	MD6383D					
14		DB302/3		FA137TT			FA137R	MD6211D					
15		DB302/3		FA137TT			FA137R	MD6211D					
16				FA395TT			FA395R	MD6173D			UTVX6173		
17				FA395TT			FA395R						
18				FA395TT			FA395R	MD6173D			UTVX6173		
19				FA395TT			FA395R	MD6173D			UTVX6173		
20				FA395TT			FA395R	MD6173D			UTVX6173		
21				FA395TT			FA395R	MD6173D			UTVX6173		
22				FA395TT			FA395R	MD6173D			UTVX6173		
23				FA395TT			FA395R	MD6173D			UTVX6173		
24				FA395TT			FA395R	MD6173D			UTVX6173		
25				FA395TT			FA395R	MD6173D			UTVX6173		
26				FA395TT			FA395R	MD6173D			UTVX6173		
27				FA395TT			FA395R	MD6173D			UTVX6173		
28				FA395TT			FA395R	MD6173D			UTVX6173		
29				FA395TT			FA395R	MD6173D			UTVX6173		
30				FA271TT			FA271R	MD6173D			UTVX6173		
31				FA271TT			FA271R	MD6173D			UTVX6173		
32				FA395TT			FA395R	MD6173D			UTVX6173		
33				FA271TT			FA271R	MD6173D			UTVX6173		
34				FA395TT			FA395R	MD6173D			UTVX6173		
35				FA395TT			FA395R	MD6173D			UTVX6173		
36				FA271TT			FA271R	MD6173D			UTVX6173		
37				FA271TT			FA271R	MD6173D			UTVX6173		
38				FA395TT			FA395R	MD6173D			UTVX6173		
39				FA271TT			FA271R	MD6173D			UTVX6173		
40				FA395TT			FA395R	MD6173D			UTVX6173		
41				FA395TT			FA395R	MD6383D					
42				FA395TT			FA395R	MD6383D					
43				FA395TT			FA395R	MD6383D					
44				FA395TT			FA395R	MD6383D					
45				FA395TT			FA395R	MD6383D					
46				FA395TT			FA395R	MD6383D					
47				FA395TT			FA395R	MD6383D					
48				FA395TT			FA395R	MD6383D					
49				FA395TT			FA395R	MD6173D			UTVX6173		
50				FA395TT			FA395R	MD6173D			UTVX6173		
51				FA395TT			FA395R	MD6173D			UTVX6173		
52				FA395TT			FA395R	MD6173D			UTVX6173		
53				FA395TT			FA395R	MD6173D			UTVX6173		
54				FA395TT			FA395R	MD6173D			UTVX6173		
55				FA395TT			FA395R	MD6173D			UTVX6173		
56				FA395TT			FA395R	MD6173D			UTVX6173		
57				FA395TT			FA395R	MD6173D			UTVX6173		
58				FA395TT			FA395R	MD6173D			UTVX6173		
59				FA395TT			FA395R	MD6383D					
60				FA395TT			FA395R	MD6173D			UTVX6173		

REAR / ARRIÈRE / HINTEN / POSTERIOR / POSTERIORE

R Suffix = High Durability Sintered Pad. **HH** Suffix = High Performance Sintered Pad. **TT** Suffix = Hard Wearing Off Road Pad. **V** Suffix = Semi Sintered Pad. **G** Suffix = Grooved Shoe.
D Suffix = Drilled Disc. **X** Suffix = Universal Left or Right Disc. **XC** Suffix = Contoured Disc. **LS** Suffix = Left/Steel Disc. **RS** = Right/Steel Disc.

BRAKE APPLICATIONS

*-2 Sets Required. † For Vee disc colours add RED, BLU, GRN, GLD, ORG suffix to part number.

⊙ - Also available as a Vintage Motorcycle Disc. ★ - EPFA available. ⚙ - Disc made of Billet steel. ♦ - CE solid discs for Enduro use.

Part numbers, prefixes, suffixes, photos and illustrations shown in this catalogue are trademarks and/or copyrights of EBC Brakes or the trademark owner A C Freeman Investments Ltd and use without express written permission of the owners is punishable by law.

Non-JAPANESE Built Motorcycles



ARCTIC CAT ATV Contd.



DISC PAD CHOICES - FRONT

BRAKE DISC CHOICES - FRONT

R Suffix = High Durability Sintered Pad. **HH** Suffix = High Performance Sintered Pad. **TT** Suffix = Hard Wearing Off Road Pad. **V** Suffix = Semi Sintered Pad. **G** Suffix = Grooved Shoe.

D Suffix = Drilled Disc. **X** Suffix = Universal Left or Right Disc. **XC** Suffix = Contoured Disc. **LS** Suffix = Left/Steel Disc. **RS** = Right/Steel Disc.

FRONT / AVANT / VORN / FRENTE / ANTERIORE

		FA, SFA, TT Pad or Brake Shoe	SFAC Carbon Scooter Pads	Speciality Pads - SXR / Vee / MXS	Sintered/HH Pads/ Grooved Shoes	Standard Replacement Discs	Contour Disc Universal Left and Right	Vee-Discs Black † See note below	CX Extreme Disc / UTVX Disc	OSX Oversize 250mm or 280mm	Line #
550i GT	2011-2012	FA395TT*			FA395R*	MD6173D*			UTVX6173*		1
550i GT TRV	2011	FA395TT*			FA395R*	MD6173D*			UTVX6173*		2
550i LTD	2011-2012	FA395TT*			FA395R*	MD6173D*			UTVX6173*		3
550i TRV Cruiser	2011	FA395TT*			FA395R*	MD6173D*			UTVX6173*		4
570 Alterra	2019-2020	FA395TT*			FA395R*	MD6383D*			UTVX6383*		5
600 Alterra	2020-2024	FA395TT*			FA395R*	MD6383D*			UTVX6383*		6
650 H1	2010	FA395TT*			FA395R*	MD6173D*			UTVX6173*		7
650 H1 4 x 4 Auto LE Utility	2007	FA271TT*			FA271R*	MD6173D*			UTVX6173*		8
650 H1 4 x 4 Auto Utility	2003-2005	FA271TT*			FA271R*	MD6173D*			UTVX6173*		9
650 H1 4 x 4 SE Auto Utility	2006	FA271TT*			FA271R*	MD6173D*			UTVX6173*		10
650 H1 Mudpro	2010-2011	FA395TT*			FA395R*	MD6173D*			UTVX6173*		11
650 H1 TBX 4 x 4 Auto Utility	2007	FA395TT*			FA395R*	MD6173D*			UTVX6173*		12
650 H1 TRV	2009	FA395TT*			FA395R*	MD6173D*			UTVX6173*		13
650 H1 TRV 4 x 4 Auto	2008	FA395TT*			FA395R*	MD6173D*			UTVX6173*		14
650 H1 TRV 4 x 4 Auto Plus LE Multirider	2007	FA395TT*			FA395R*	MD6173D*			UTVX6173*		15
650 H1 TRV 4 x 4 Auto Plus Multirider	2007	FA395TT*			FA395R*	MD6173D*			UTVX6173*		16
650 TBX	2009	FA395TT*			FA395R*	MD6173D*			UTVX6173*		17
650 V2 4 x 4 Auto LE TS Utility	2006	FA395TT*			FA395R*	MD6173D*			UTVX6173*		18
650 V2 4 x 4 Auto LE Utility	2004-2005	FA395TT*			FA395R*	MD6173D*			UTVX6173*		19
650 V2 4 x 4 Auto Utility	2004-2006	FA395TT*			FA395R*	MD6173D*			UTVX6173*		20
700 Alterra	2016-2023	FA395TT*			FA395R*	MD6383D*			UTVX6383*		21
700 Alterra TBX	2017-2018	FA395TT*			FA395R*	MD6383D*			UTVX6383*		22
700 Alterra VLX	2017-2018	FA395TT*			FA395R*	MD6383D*			UTVX6383*		23
700 ATV Diesel	2012-2014	FA395TT*			FA395R*	MD6383D*			UTVX6383*		24
700 ATV LTD	2012-2014	FA395TT*			FA395R*	MD6383D*			UTVX6383*		25
700 ATV XT	2013-2014	FA395TT*			FA395R*	MD6383D*			UTVX6383*		26
700 ATV/Core	2013-2014	FA395TT*			FA395R*						27
700 Diesel Utility	2007-2008	FA395TT*			FA395R*	MD6173D*			UTVX6173*		28
700 EFI 4 x 4 Auto M4	2008	FA395TT*			FA395R*	MD6173D*			UTVX6173*		29
700 EFI 4 x 4 Auto TRV LE	2008	FA395TT*			FA395R*	MD6173D*			UTVX6173*		30
700 EFI 4 x 4 LE Utility	2006	FA395TT*			FA395R*	MD6173D*			UTVX6173*		31
700 EFI 4 x 4 SE Utility	2006	FA395TT*			FA395R*	MD6173D*			UTVX6173*		32
700 EFI 4 x 4 Utility	2007-2008	FA395TT*			FA395R*	MD6173D*			UTVX6173*		33
700 EFI Cruiser	2011	FA395TT*			FA395R*	MD6173D*			UTVX6173*		34
700 H1 EFI	2009-2010	FA395TT*			FA395R*	MD6173D*			UTVX6173*		35
700 H1 EFI 4 x 4 Auto SE	2008-2009	FA395TT*			FA395R*	MD6173D*			UTVX6173*		36
700 H1 EFI LE	2009-2010	FA395TT*			FA395R*	MD6173D*			UTVX6173*		37
700 H1 EFI Mudpro	2009-2011	FA395TT*			FA395R*	MD6173D*			UTVX6173*		38
700 H1 TBX EFI	2010	FA395TT*			FA395R*	MD6173D*			UTVX6173*		39
700 Mudpro	2010-2011	FA395TT*			FA395R*	MD6173D*			UTVX6173*		40
700 S	2010	FA395TT*			FA395R*	MD6173D*			UTVX6173*		41
700 S LTD	2010	FA395TT*			FA395R*	MD6173D*			UTVX6173*		42
700 Super Duty Diesel	2010-2011	FA395TT*			FA395R*	MD6173D*			UTVX6173*		43
700 TBX LTD	2011	FA395TT*			FA395R*	MD6173D*			UTVX6173*		44
700 TRV	2011-2012	FA395TT*			FA395R*	MD6173D*			UTVX6173*		45
700 TRV Cruiser	2011-2012	FA395TT*			FA395R*	MD6173D*			UTVX6173*		46
700 TRV GT	2011-2012	FA395TT*			FA395R*	MD6173D*			UTVX6173*		47
700 TRV H2 EFI Cruiser	2009-2010	FA395TT*			FA395R*	MD6173D*			UTVX6173*		48
700 TRV XT	2013-2015	FA395TT*			FA395R*	MD6383D*			UTVX6383*		49
700i	2011-2012	FA395TT*			FA395R*	MD6173D*			UTVX6173*		50
700i GT	2011-2012	FA395TT*			FA395R*	MD6173D*			UTVX6173*		51
700i LTD	2011-2012	FA395TT*			FA395R*	MD6173D*			UTVX6173*		52
700i Mudpro	2011-2012	FA395TT*			FA395R*	MD6173D*			UTVX6173*		53
700i Mudpro LTD	2011	FA395TT*			FA395R*	MD6173D*			UTVX6173*		54
Alterra TRV XT EPS	2017	FA395TT*			FA395R*	MD6383D*			UTVX6383*		55
1000 GT	2011-2012	FA395TT*			FA395R*	MD6173D*			UTVX6173*		56
1000 H2 Mudpro EFI	2011-2012	FA395TT*			FA395R*	MD6173D*			UTVX6173*		57
1000 Mudpro LTD	2012-2013	FA395TT*			FA395R*	MD6173D*			UTVX6173*		58
1000 Thundercat H2	2008-2010	FA395TT*			FA395R*	MD6173D*			UTVX6173*		59
1000 Thundercat H2 LE	2010	FA395TT*			FA395R*	MD6173D*			UTVX6173*		60

*-2 Sets Required. † For Vee disc colours add RED, BLU, GRN, GLD, ORG suffix to part number.

⊗ - Also available as a Vintage Motorcycle Disc. ★ - EPFA available. ⚙ - Disc made of Billet steel. ♦ - CE solid discs for Enduro use.

Non-JAPANESE Built Motorcycles

Line #	BRAKE DISC CHOICES - FRONT			DISC PAD CHOICES - REAR				BRAKE DISC CHOICES - REAR					
	SMX Oversize 320mm Disc Kit Front Left	Front disc bolt kit	Front Brake Line	FA, SFA, TT Pad or Brake Shoe	SFAC Carbon Scooter Pads	Speciality Pads - SXR / Vee / MXS	Sintered HH/R Pads/ Grooved Shoes	Standard Replacement Disc	Contour Disc Rear Fitment	Vee Discs CONTOUR	CX Extreme MX Race Disc / UTVX Disc	Rear disc bolt kit	Rear Brake Line
1				FA395TT			FA395R	MD6173D			UTVX6173		
2				FA395TT			FA395R	MD6173D			UTVX6173		
3				FA395TT			FA395R	MD6173D			UTVX6173		
4				FA395TT			FA395R	MD6173D			UTVX6173		
5				FA395TT			FA395R	MD6383D					
6				FA395TT			FA395R	MD6383D					
7				FA395TT			FA395R	MD6173D			UTVX6173		
8				FA271TT			FA271R	MD6173D			UTVX6173		
9				FA271TT			FA271R	MD6173D			UTVX6173		
10				FA271TT			FA271R	MD6173D			UTVX6173		
11				FA395TT			FA395R	MD6173D			UTVX6173		
12				FA395TT			FA395R	MD6173D			UTVX6173		
13				FA395TT			FA395R	MD6173D			UTVX6173		
14				FA395TT			FA395R	MD6173D			UTVX6173		
15				FA395TT			FA395R	MD6173D			UTVX6173		
16				FA395TT			FA395R	MD6173D			UTVX6173		
17				FA395TT			FA395R	MD6173D			UTVX6173		
18				FA395TT			FA395R	MD6173D			UTVX6173		
19				FA395TT			FA395R	MD6173D			UTVX6173		
20				FA395TT			FA395R	MD6173D			UTVX6173		
21				FA395TT			FA395R	MD6383D					
22				FA395TT			FA395R	MD6383D					
23				FA395TT			FA395R	MD6383D					
24				FA395TT			FA395R	MD6383D					
25				FA395TT			FA395R	MD6383D					
26				FA395TT			FA395R	MD6383D					
27				FA395TT			FA395R						
28				FA395TT			FA395R	MD6173D			UTVX6173		
29				FA395TT			FA395R	MD6173D			UTVX6173		
30				FA395TT			FA395R	MD6173D			UTVX6173		
31				FA395TT			FA395R	MD6173D			UTVX6173		
32				FA395TT			FA395R	MD6173D			UTVX6173		
33				FA395TT			FA395R	MD6173D			UTVX6173		
34				FA395TT			FA395R	MD6173D			UTVX6173		
35				FA395TT			FA395R	MD6173D			UTVX6173		
36				FA395TT			FA395R	MD6173D			UTVX6173		
37				FA395TT			FA395R	MD6173D			UTVX6173		
38				FA395TT			FA395R	MD6173D			UTVX6173		
39				FA395TT			FA395R	MD6173D			UTVX6173		
40				FA395TT			FA395R	MD6173D			UTVX6173		
41				FA395TT			FA395R	MD6173D			UTVX6173		
42				FA395TT			FA395R	MD6173D			UTVX6173		
43				FA395TT			FA395R	MD6173D			UTVX6173		
44				FA395TT			FA395R	MD6173D			UTVX6173		
45				FA395TT			FA395R	MD6173D			UTVX6173		
46				FA395TT			FA395R	MD6173D			UTVX6173		
47				FA395TT			FA395R	MD6173D			UTVX6173		
48				FA395TT			FA395R	MD6173D			UTVX6173		
49				FA395TT			FA395R	MD6383D					
50				FA395TT			FA395R	MD6173D			UTVX6173		
51				FA395TT			FA395R	MD6173D			UTVX6173		
52				FA395TT			FA395R	MD6173D			UTVX6173		
53				FA395TT			FA395R	MD6173D			UTVX6173		
54				FA395TT			FA395R	MD6173D			UTVX6173		
55				FA395TT			FA395R	MD6383D					
56				FA395TT			FA395R	MD6173D			UTVX6173		
57				FA395TT			FA395R	MD6173D			UTVX6173		
58				FA395TT			FA395R	MD6173D			UTVX6173		
59				FA395TT			FA395R	MD6173D			UTVX6173		
60				FA395TT			FA395R	MD6173D			UTVX6173		

REAR / ARRIÈRE / HINTEN / POSTERIOR / POSTERIORE

R Suffix = High Durability Sintered Pad. **HH** Suffix = High Performance Sintered Pad. **TT** Suffix = Hard Wearing Off Road Pad. **V** Suffix = Semi Sintered Pad. **G** Suffix = Grooved Shoe.
D Suffix = Drilled Disc. **X** Suffix = Universal Left or Right Disc. **XC** Suffix = Contoured Disc. **LS** Suffix = Left/Steel Disc. **RS** = Right/Steel Disc.

BRAKE APPLICATIONS

*-2 Sets Required. † For Vee disc colours add RED, BLU, GRN, GLD, ORG suffix to part number.

⊙ - Also available as a Vintage Motorcycle Disc. ★ - EPFA available. ⊕ Disc made of Billet steel. ◆ CE solid discs for Enduro use.

Part numbers, prefixes, suffixes, photos and illustrations shown in this catalogue are trademarks and/or copyrights of EBC Brakes or the trademark owner A C Freeman Investments Ltd and use without express written permission of the owners is punishable by law.

Non-JAPANESE Built Motorcycles



ARCTIC CAT ATV Contd.



		DISC PAD CHOICES - FRONT				BRAKE DISC CHOICES - FRONT					Line #
		FA, SFA, TT Pad or Brake Shoe	SFAC Carbon Scooter Pads	Speciality Pads - SXR / Vee / MXS	Sintered/HH Pads/ Grooved Shoes	Standard Replacement Discs	Contour Disc Universal Left and Right	Vee-Discs Black † See note below	CX Extreme Disc / UTVX Disc	OSX Oversize 250mm or 280mm	
1000 TRV Cruiser	2011	FA395TT*			FA395R*	MD6173D*			UTVX6173*		1
1000 TRV H2 EFI	2010	FA395TT*			FA395R*	MD6173D*			UTVX6173*		2
1000 TRV H2 EFI Cruiser	2009-2010	FA395TT*			FA395R*	MD6173D*			UTVX6173*		3
1000 XT	2013-2014	FA395TT*			FA395R*						4
ARCTIC CAT SIDE X SIDE											
500 HDX Prowler	2014	FA395TT*			FA395R*	MD6271D*			UTVX6271*		7
500 HDX Prowler LTD	2014	FA395TT*			FA395R*	MD6271D*			UTVX6271*		8
500 HDX Prowler XT	2014-2018	FA395TT*			FA395R*	MD6271D*			UTVX6271*		9
500 Prowler	2018-2022	FA377TT*			FA377R*	MD6267D*					10
550 H1 EFI Prowler	2009	FA395TT*			FA395R*	MD6271D*			UTVX6271*		11
550 XT	2010-2011	FA395TT*			FA395R*	MD6271D*			UTVX6271*		12
550 XT i Prowler	2011-2015	FA395TT*			FA395R*	MD6271D*			UTVX6271*		13
650 H1 Prowler	2007	FA395TT*			FA395R*	MD6271D*			UTVX6271*		14
650 Prowler 4 x 4/M4	2008	FA395TT*			FA395R*	MD6271D*			UTVX6271*		15
650 XT H1 Prowler	2006-2008	FA395TT*			FA395R*	MD6271D*			UTVX6271*		16
700 HDX Prowler	2011-2014	FA395TT*			FA395R*	MD6271D*			UTVX6271*		17
700 HDX Prowler LTD	2013	FA395TT*			FA395R*	MD6271D*			UTVX6271*		18
700 Wildcat Sport XT inc LTD	2018-2019	FA741TT*			FA741R*						19
700 Wildcat Trail XT inc LTD	2015-2019	FA395TT*			FA395R*	MD6384D*			UTVX6384*		20
700 XTX	2010-2011	FA395TT*			FA395R*	MD6271D*			UTVX6271*		21
700 XTX H1 EFI Prowler	2009	FA395TT*			FA395R*	MD6271D*			UTVX6271*		22
700 XTX H1 LE Prowler	2008	FA395TT*			FA395R*	MD6271D*			UTVX6271*		23
700 XTX i Prowler	2011-2017	FA395TT*			FA395R*	MD6271D*			UTVX6271*		24
900 Havoc X EPS	2018				FA737R*						25
900 Stampede	2017-2019				FA737R*						26
1000 Cushman Hauler 4x4 Crew and EPS Diesel	2019-2020	FA740TT*			FA740R*						27
1000 Cushman Hauler 4x4 Diesel	2019-2020	FA740TT*			FA740R*						28
1000 Wildcat	2013-2014	FA395TT*			FA395R*	MD6271D*			UTVX6271*		29
1000 Wildcat 4 and 4X	2013-2016				FA610R*	MD6384D*			UTVX6384*		30
1000 Wildcat 4 LTD	2014-2015					MD6271D*					31
1000 Wildcat 4X	2014-2016				FA610R*	MD6384D*			UTVX6384*		32
1000 Wildcat G.T.	2011	FA395TT*			FA395R*	MD6271D*			UTVX6271*		33
1000 Wildcat LTD	2013-2014	FA395TT*			FA395R*	MD6271D*			UTVX6271*		34
1000 Wildcat X	2012	FA395TT*			FA395R*	MD6271D*			UTVX6271*		35
1000 Wildcat X	2014-2016					MD6271D*					36
1000 Wildcat XX Black Hills Edition	2023	FA740TT*			FA740R*						37
1000 Wildcat XX LTD and SE Models	2018-2024	FA740TT*			FA740R*						38
1000 XTZ	2010-2015	FA395TT*			FA395R*	MD6271D*			UTVX6271*		39
1000 XTZ H2 Prowler	2008	FA395TT*			FA395R*	MD6271D*			UTVX6271*		40
812 Prowler Pro Crew and XT	2019-2023	FA740TT*			FA740R*						41
ARMSTRONG											
250/320 Trials bike	1984				841G						44
ASPES											
50 Navaho	1972				926G						47
50 Vega Hybrid	2010-2014	SFA228	SFAC228		SFA228HH						48
RCL 80	1981	941									49
125 Vega Hybrid	2011-2014	SFA086	SFAC086		SFA086HH						50
CS 75/125 Navaho/Juma/Hopi	1975				841G						51
150 Perseus Hybrid	2011-2014	SFA054	SFAC054		SFA054HH						52
CM 180	1980				841G						53
ATALA											
AT10 Byte	1997	SFA193	SFAC193		SFA193HH						56
Hacker	1997	SFA193	SFAC193		SFA193HH	MD901D		VR901			57
Hacker LC	1997	SFA193	SFAC193		SFA193HH	MD901D		VR901			58
Hacker Racing	1997	SFA193	SFAC193		SFA193HH	MD901D		VR901			59

FRONT / AVANT / VORN / FRENTE / ANTERIORE

R Suffix = High Durability Sintered Pad. HH Suffix = High Performance Sintered Pad. TT Suffix = Hard Wearing Off Road Pad. V Suffix = Semi Sintered Pad. G Suffix = Grooved Shoe.
D Suffix = Drilled Disc. X Suffix = Universal Left or Right Disc. XC Suffix = Contoured Disc. LS Suffix = Left/Steel Disc. RS = Right/Steel Disc.

*-2 Sets Required. † For Vee disc colours add RED, BLU, GRN, GLD, ORG suffix to part number.

⊗ - Also available as a Vintage Motorcycle Disc. ★ - EPFA available. ⚙ Disc made of Billet steel. ♦ CE solid discs for Enduro use.

140 Part numbers, prefixes, suffixes, photos and illustrations shown in this catalogue are trademarks and/or copyrights of EBC Brakes or the trademark owner A C Freeman Investments Ltd and use without express written permission of the owners is punishable by law.

Non-JAPANESE Built Motorcycles

Line #	BRAKE DISC CHOICES - FRONT			DISC PAD CHOICES - REAR				BRAKE DISC CHOICES - REAR					
	SMX Oversize 320mm Disc Kit Front Left	Front disc bolt kit	Front Brake Line	FA, SFA, TT Pad or Brake Shoe	SFAC Carbon Scooter Pads	Speciality Pads - SXR / Vee / MXS	Sintered HH/R Pads/ Grooved Shoes	Standard Replacement Disc	Contour Disc Rear Fitment	Vee Discs CONTOUR	CX Extreme MX Race Disc / UTVX Disc	Rear disc bolt kit	Rear Brake Line
1				FA395TT			FA395R	MD6173D			UTVX6173		
2				FA395TT			FA395R	MD6173D					
3				FA395TT			FA395R	MD6173D			UTVX6173		
4				FA395TT			FA395R						
5													
6													
7				FA395TT			FA395R						
8				FA395TT			FA395R						
9				FA395TT			FA395R						
10				FA377TT			FA377R	MD6267D					
11				FA395TT			FA395R						
12				FA395TT			FA395R						
13				FA395TT			FA395R						
14				FA395TT			FA395R						
15				FA395TT			FA395R						
16				FA395TT			FA395R						
17				FA395TT*			FA395R*	MD6173D*			UTVX6173*		
18				FA395TT*			FA395R*	MD6173D*			UTVX6173*		
19				FA395TT*			FA395R*						
20				FA395TT*			FA395R*	MD6384D*					
21				FA395TT			FA395R						
22				FA395TT			FA395R						
23				FA395TT			FA395R						
24				FA395TT			FA395R						
25							FA737R*						
26							FA737R*						
27				FA742TT*			FA742R*						
28				FA742TT*			FA742R*						
29				FA395TT*			FA395R*						
30				FA395TT*			FA395R*	MD6384D*			UTVX6384*		
31				FA395TT*			FA395R*	MD6173D*			UTVX6173*		
32				FA395TT*			FA395R*	MD6384D*			UTVX6384*		
33				FA395TT*			FA395R*	MD6173D*			UTVX6173*		
34				FA395TT*			FA395R*						
35				FA395TT*			FA395R*						
36				FA395TT*			FA395R*	MD6173D*			UTVX6173*		
37				FA742TT*			FA742R*						
38				FA742TT*			FA742R*						
39				FA395TT*			FA395R*	MD6173D*			UTVX6173*		
40				FA395TT*			FA395R*	MD6173D*			UTVX6173*		
41				FA742TT*			FA742R*						
42													
43													
44							841G						
45													
46													
47							926G						
48													
49				941									
50													
51							843G						
52				SFA086	SFAC086		SFA086HH						
53							841G						
54													
55													
56				S624									
57				S624									
58				S624									
59				S624									
60													

REAR / ARRIÈRE / HINTEN / POSTERIOR / POSTERIORE

R Suffix = High Durability Sintered Pad. **HH** Suffix = High Performance Sintered Pad. **TT** Suffix = Hard Wearing Off Road Pad. **V** Suffix = Semi Sintered Pad. **G** Suffix = Grooved Shoe.
D Suffix = Drilled Disc. **X** Suffix = Universal Left or Right Disc. **XC** Suffix = Contoured Disc. **LS** Suffix = Left/Steel Disc. **RS** = Right/Steel Disc.

*-2 Sets Required. † For Vee disc colours add RED, BLU, GRN, GLD, ORG suffix to part number.

⊙ - Also available as a Vintage Motorcycle Disc. ★ - EPFA available. ⚙ Disc made of Billet steel. ♦ CE solid discs for Enduro use.

Part numbers, prefixes, suffixes, photos and illustrations shown in this catalogue are trademarks and/or copyrights of EBC Brakes or the trademark owner A C Freeman Investments Ltd and use without express written permission of the owners is punishable by law.

Non-JAPANESE Built Motorcycles



BAJAJ

CT 100	2016
Platina 100 ES	2016
Discover 125	2014-2016
Discover 125 M	2014-2016
Discover 125 ST	2013-2015
XCD 125	2007
Pulsar 135 LS	2012-2016
Avenger 150 Street	2015-2016
Boxer 150	2012-2015
Discover 150 F	2014-2016
Discover 150 S	2014-2016
Pulsar 150	2007-2016
Pulsar Adventure AS 150	2015-2016
Pulsar 200 NS	2014-2016
Pulsar Adventure AS 200	2015-2017
Pulsar RS 200	2015-2016
Avenger 220 Street	2015-2016
Avenger Cruise 220 DTS-i	2008-2014
Avenger Cruise 220 DTS-i	2015-2016
Pulsar 220 F	2015-2016
Pulsar 220 S	2015-2016

BAOTIAN

50 Falcon	2010-2011
BT 49 QT-12 Rebel-4T	2006-2011
BT 49 QT-12 Rocky-2T	2010-2011
BT 50 QT-11 Retro 50-4T	2006-2011
BT 125 12C1 125 Rebel	2007-2016
BT 125 12C1 125 Warrior	2007-2016
BT 125 T 12E1 125 Rocky	2007-2016
BT 125 T 12F1 125 Tanco	2007-2016
BT 125 T 2A 125 Smart Rider	2005-2016
BT 125 T 2B2 125	2009-2015
BT 125 T 3A2 125 Italo	2008-2012
BT 125 T 3B6 125	2015
BT 125 T 8A 125	2007-2016
BT 125 T 8B 125	2009-2015
BT 49 QT 18F1 Tanco 125	2008-2011
BT 49 QT-7	2006-2007
BT 49 QT-9 Speedy 50-4T	2010-2011
BT 49 QT-9F3 Eagle 50 Eagle 50	2010-2011
BT 110-2	2006-2007
BT 125 T-2	2006-2007
BT 125 T-7	2006-2007

BAROSSA

Mini 50/Python	2003-2005
100 Sport/Python	2003-2005
XS 125 T-13	2007-2010
170 Cheetah	2003-2006
170 Cheetah/Magna	2003-2005
170 Sport	2003-2004
250 Cheetah	2003-2006
Quarterback 250	2005

BEELINE

Veloce 50	2008-2010
Veloce GT 50	2008-2010

Line #	DISC PAD CHOICES - FRONT				BRAKE DISC CHOICES - FRONT				
	FA, SFA, TT Pad or Brake Shoe	SFAC Carbon Scooter Pads	Speciality Pads - SXR / Vee / MXS	Sintered/HH Pads/ Grooved Shoes	Standard Replacement Discs	Contour Disc Universal Left and Right	Vee-Discs Black † See note below	CX Extreme Disc / UTVX Disc	OSX Oversize 250mm or 280mm
1	V903								
2	V903								
3	FA197			FA197HH★					
4	FA181TT			FA181HH					
5	FA181TT			FA181HH					
6	FA181TT			FA181HH					
7	FA181TT			FA181HH					
8	FA197			FA197HH★					
9	V903								
10	FA181TT			FA181HH					
11	FA181TT			FA181HH					
12	FA181TT			FA181HH					
13	FA181TT			FA181HH					
14	FA181TT			FA181HH					
15	FA181TT			FA181HH					
16	FA181TT			FA181HH					
17	FA197			FA197HH★					
18	FA197			FA197HH★					
19	FA197			FA197HH★					
20	FA181TT			FA181HH					
21	FA181TT			FA181HH					
22									
23									
24	SFA047			SFA047HH					
25	SFA235	SFAC235							
26									
27	SFA169	SFAC169		SFA169HH					
28	SFA086	SFAC086							
29	SFA086	SFAC086							
30	SFA086	SFAC086							
31	SFA086	SFAC086							
32	SFA086	SFAC086							
33	SFA086	SFAC086							
34	SFA086	SFAC086							
35	SFA086	SFAC086							
36	SFA086	SFAC086							
37	SFA086	SFAC086							
38	SFA235	SFAC235							
39									
40	SFA169	SFAC169		SFA169HH					
41	SFA047			SFA047HH					
42	SFA086	SFAC086		SFA086HH					
43	SFA086	SFAC086		SFA086HH					
44									
45									
46									
47									
48	Y503*			Y503G*					
49	SFA264	SFAC264		SFA264HH					
50	Y503*			Y503G*					
51									
52									
53	Y503*			Y503G*					
54									
55									
56									
57	SFA235	SFAC235							
58	SFA235	SFAC235							
59									
60									

FRONT / AVANT / VORN / FRENTE / ANTERIORE

R Suffix = High Durability Sintered Pad. HH Suffix = High Performance Sintered Pad. TT Suffix = Hard Wearing Off Road Pad. V Suffix = Semi Sintered Pad. G Suffix = Grooved Shoe.
D Suffix = Drilled Disc. X Suffix = Universal Left or Right Disc. XC Suffix = Contoured Disc. LS Suffix = Left/Steel Disc. RS = Right/Steel Disc.

*-2 Sets Required. † For Vee disc colours add RED, BLU, GRN, GLD, ORG suffix to part number.

⊗ - Also available as a Vintage Motorcycle Disc. ★ - EPFA available. ⚙ Disc made of Billet steel. ◆ CE solid discs for Enduro use.

Non-JAPANESE Built Motorcycles

Line #	BRAKE DISC CHOICES - FRONT			DISC PAD CHOICES - REAR				BRAKE DISC CHOICES - REAR					
	SMX Oversize 320mm Disc Kit Front Left	Front disc bolt kit	Front Brake Line	FA, SFA, TT Pad or Brake Shoe	SFAC Carbon Scooter Pads	Speciality Pads - SXR / Vee / MXS	Sintered HH/R Pads/ Grooved Shoes	Standard Replacement Disc	Contour Disc Rear Fitment	Vee Discs CONTOUR	CX Extreme MX Race Disc / UTVX Disc	Rear disc bolt kit	Rear Brake Line
1				V903									
2				V903									
3													
4													
5													
6													
7				FA213									
8													
9				V903									
10													
11													
12													
13													
14				FA213			FA213HH★						
15													
16				FA213			FA213HH★						
17													
18													
19													
20				FA213			FA213HH★						
21				FA213			FA213HH★						
22													
23													
24				SFA298	SFAC298		SFA298HH						
25				H303									
26				H303									
27				H303									
28													
29													
30													
31													
32													
33													
34													
35													
36													
37													
38													
39				H303									
40				H303									
41				H303									
42				H303									
43													
44				Y506									
45													
46													
47				H302			H302G						
48				FA067TT			FA067R						
49				820									
50				FA067TT			FA067R						
51				FA135TT			FA135R						
52				FA135TT			FA135R						
53				FA067TT			FA067R						
54				FA135TT			FA135R						
55													
56													
57				Y503									
58				Y503									
59													
60													

REAR / ARRIÈRE / HINTEN / POSTERIOR / POSTERIORE

R Suffix = High Durability Sintered Pad. **HH** Suffix = High Performance Sintered Pad. **TT** Suffix = Hard Wearing Off Road Pad. **V** Suffix = Semi Sintered Pad. **G** Suffix = Grooved Shoe.
D Suffix = Drilled Disc. **X** Suffix = Universal Left or Right Disc. **XC** Suffix = Contoured Disc. **LS** Suffix = Left/Steel Disc. **RS** = Right/Steel Disc.

BRAKE APPLICATIONS

*-2 Sets Required. † For Vee disc colours add RED, BLU, GRN, GLD, ORG suffix to part number.

⊙ - Also available as a Vintage Motorcycle Disc. ★ - EPFA available. ⚙ Disc made of Billet steel. ♦ CE solid discs for Enduro use.

Part numbers, prefixes, suffixes, photos and illustrations shown in this catalogue are trademarks and/or copyrights of EBC Brakes or the trademark owner A C Freeman Investments Ltd and use without express written permission of the owners is punishable by law.

Non-JAPANESE Built Motorcycles



BENELLI

		DISC PAD CHOICES - FRONT				BRAKE DISC CHOICES - FRONT					Line #
		FA, SFA, TT Pad or Brake Shoe	SFAC Carbon Scooter Pads	Speciality Pads - SXR / Vee / MXS	Sintered/HH Pads/ Grooved Shoes	Standard Replacement Discs	Contour Disc Universal Left and Right	Vee-Discs Black † See note below	CX Extreme Disc / UTVX Disc	OSX Oversize 250mm or 280mm	
491 50cc	1998-2004	SFA193	SFAC193		SFA193HH	MD901D		VR901			1
491 50cc	1999-2004	SFA193	SFAC193		SFA193HH	MD901D		VR901			2
49X Scooter	2007	SFA235	SFAC235								3
50 G2 Elle	1979	931									4
62.5 C/TS	1976	FA047									5
Devil 50	1992	FA126			FA126HH						6
Mala 50	2013	SFA193	SFAC193		SFA193HH						7
Motorella	1978	908									8
Naked 50	2002-2003	SFA193	SFAC193		SFA193HH	MD901D		VR901			9
Pepe 50	1999-2001	SFA193	SFAC193		SFA193HH	MD956D		VR956			10
Pepe 50	2010-2014	SFA193	SFAC193		SFA193HH	MD956D		VR956			11
Pepe 50	2012-2016	SFA193	SFAC193		SFA193HH	MD956D		VR956			12
Pepe 50 Classic	2007-2014	SFA193	SFAC193		SFA193HH	MD956D		VR956			13
Pepe 50 LX	2003-2009	SFA193	SFAC193		SFA193HH	MD956D		VR956			14
Quattro Nove X 50cc	2008-2012	SFA235	SFAC235								15
Quattro Nove X 50cc	2010-2016	SFA235	SFAC235								16
S 50 Scooter	1981	945									17
Spring 50	1993	FA126			FA126HH						18
Devil 80	1992	FA126			FA126HH						19
K2 100	1999-2001	SFA193	SFAC193		SFA193HH	MD901D		VR901			20
Naked 100	2002	SFA193	SFAC193		SFA193HH	MD901D		VR901			21
Pepe 100 LX	1999-2006	SFA193	SFAC193		SFA193HH						22
124/125/126 2C/2CSE	1976	FA047									23
125 2C Twin Brake	1976	946									24
125 T	1983	FA047			FA047HH						25
666 Scooter Born in Hell	1998-1999	FA095			FA095HH★						26
Adiva 125	2000	SFA193	SFAC193		SFA193HH	MD924D		VR924			27
Adiva 125	2001-2004	SFA193	SFAC193		SFA193HH	MD9101D					28
Aurak MY 125 BJ 125 10A	2016-2017	SFA086	SFAC086		SFA086HH						29
BN 125	2018-2024	FA711									30
Caffe Nero 125	2011-2016	SFA228	SFAC228		SFA228HH						31
Hobby 125	2013	SFA228	SFAC228		SFA228HH						32
Leoncino 125	2018-2020	FA658									33
Leoncino 125	2021-2024	FA707									34
Macis 125	2010-2016	SFA228	SFAC228		SFA228HH						35
Tarno 125	1989	FA126			FA126HH						36
TNT 125 Tornado T	2017-2024	FA711									37
TRK 125	2018-2020	FA658									38
Velvet 125	1999-2007	SFA193	SFAC193		SFA193HH	MD9101D					39
Velvet 125 Touring	2008-2012	SFA194	SFAC194		SFA194HH	MD9101D					40
Worx 125	2017-2018	FA711									41
X 125	2012-2014	SFA228	SFAC228		SFA228HH						42
TNT 135 Tornado T	2018	FA711									43
Adiva 150	2000	SFA193	SFAC193		SFA193HH	MD924D		VR924			44
Adiva 150	2001-2004	SFA193	SFAC193		SFA193HH	MD9101D					45
Caffe Nero 150	2011-2016	SFA228	SFAC228		SFA228HH						46
Macis 150	2010-2016	SFA228	SFAC228		SFA228HH						47
RFS 150i	2022-2023	SFA086	SFAC086								48
UNO C 150	2013	FA244			FA244HH★						49
Velvet 150	1999-2007	SFA193	SFAC193		SFA193HH	MD9101D					50
Velvet 150 Touring	2008-2012	SFA194	SFAC194		SFA194HH	MD9101D					51
X 150	2012-2014	SFA228	SFAC228		SFA228HH						52
Hobby 151	2013	SFA228	SFAC228		SFA228HH						53
R18	2021-2023	SFA086	SFAC086								54
TNT 200 Tornado T	2017-2018	FA658									55
254	1983										56
BX 250 Motard	2016-2018	FA181TT		MXS181	FA181R						57
BX Motard 250cc	2012	FA181TT		MXS181	FA181R						58
											59
											60

FRONT / AVANT / VORN / FRENTE / ANTERIORE

R Suffix = High Durability Sintered Pad. HH Suffix = High Performance Sintered Pad. TT Suffix = Hard Wearing Off Road Pad. V Suffix = Semi Sintered Pad. G Suffix = Grooved Shoe.
D Suffix = Drilled Disc. X Suffix = Universal Left or Right Disc. XC Suffix = Contoured Disc. LS Suffix = Left/Steel Disc. RS = Right/Steel Disc.

*-2 Sets Required. † For Vee disc colours add RED, BLU, GRN, GLD, ORG suffix to part number.

⊗ - Also available as a Vintage Motorcycle Disc. ★ - EPFA available. ⚙ Disc made of Billet steel. ♦ CE solid discs for Enduro use.

Non-JAPANESE Built Motorcycles

Line #	BRAKE DISC CHOICES - FRONT			DISC PAD CHOICES - REAR				BRAKE DISC CHOICES - REAR					
	SMX Oversize 320mm Disc Kit Front Left	Front disc bolt kit	Front Brake Line	FA, SFA, TT Pad or Brake Shoe	SFAC Carbon Scooter Pads	Speciality Pads - SXR / Vee / MXS	Sintered HH/R Pads/ Grooved Shoes	Standard Replacement Disc	Contour Disc Rear Fitment	Vee Discs CONTOUR	CX Extreme MX Race Disc / UTVX Disc	Rear disc bolt kit	Rear Brake Line
1				893									
2				SFA193	SFAC193		SFA193HH	MD943D		VR943			
3													
4				931									
5				929									
6				FA099									
7				816									
8				908									
9				893									
10				893									
11				816									
12				816									
13				Y503									
14				Y503									
15				Y503									
16				SFA235	SFAC235								
17				965									
18				FA099									
19				FA099									
20				Y527									
21				893									
22				893									
23				929									
24				929									
25													
26				FA047			FA047HH						
27				816									
28				SFA321	SFAC321		SFA321HH	MD9106D					
29				SFA213									
30				FA629									
31				SFA228	SFAC228		SFA228HH						
32				SFA228	SFAC228		SFA228HH						
33				FA698			FA698HH						
34				SFA197	SFAC197								
35				SFA228	SFAC228		SFA228HH						
36													
37				FA629									
38				FA698			FA698HH						
39				SFA193	SFAC193		SFA193HH	MD966D					
40				SFA298	SFAC298		SFA298HH	MD966D					
41													
42				SFA228	SFAC228		SFA228HH						
43				FA629									
44				816									
45				SFA321	SFAC321		SFA321HH	MD9106D					
46				SFA228	SFAC228		SFA228HH						
47				SFA228	SFAC228		SFA228HH						
48				FA629			FA629HH						
49				FA047			FA047HH						
50				SFA193	SFAC193		SFA193HH	MD966D					
51				SFA298	SFAC298		SFA298HH	MD966D					
52				SFA228	SFAC228		SFA228HH						
53				SFA228	SFAC228		SFA228HH						
54				FA629			FA629HH						
55				FA629			FA629HH						
56				929									
57				FA298									
58				FA047TT									
59													
60													

REAR / ARRIÈRE / HINTEN / POSTERIOR / POSTERIORE

R Suffix = High Durability Sintered Pad. **HH** Suffix = High Performance Sintered Pad. **TT** Suffix = Hard Wearing Off Road Pad. **V** Suffix = Semi Sintered Pad. **G** Suffix = Grooved Shoe.
D Suffix = Drilled Disc. **X** Suffix = Universal Left or Right Disc. **XC** Suffix = Contoured Disc. **LS** Suffix = Left/Steel Disc. **RS** = Right/Steel Disc.

BRAKE APPLICATIONS

*-2 Sets Required. † For Vee disc colours add RED, BLU, GRN, GLD, ORG suffix to part number.

⊙ - Also available as a Vintage Motorcycle Disc. ★ - EPFA available. ⊕ Disc made of Billet steel. ◆ CE solid discs for Enduro use.

Part numbers, prefixes, suffixes, photos and illustrations shown in this catalogue are trademarks and/or copyrights of EBC Brakes or the trademark owner A C Freeman Investments Ltd and use without express written permission of the owners is punishable by law.

Non-JAPANESE Built Motorcycles



BENELLI Contd.



Model	Year	Side	DISC PAD CHOICES - FRONT				BRAKE DISC CHOICES - FRONT					Line #
			FA, SFA, TT Pad or Brake Shoe	SFAC Carbon Scooter Pads	Speciality Pads - SXR / Vee / MXS	Sintered/HH Pads/ Grooved Shoes	Standard Replacement Discs	Contour Disc Universal Left and Right	Vee-Discs Black † See note below	CX Extreme Disc / UTVX Disc	OSX Oversize 250mm or 280mm	
Caffe Nero 250	2008-2014	Left		SFAC197		SFA197HH						1
		Right	SFA228	SFAC228		SFA228HH						2
K2 50	1998-2001		SFA193	SFAC193		SFA193HH	MD901D		VR901			3
Leoncino 250	2018-2022		FA658									4
UNO C 250 Single Cyl	2013		FA244			FA244HH★						5
Velvet 250	1999-2012		SFA194	SFAC194		SFA194HH	MD997D		VR997			6
BN 251	2014-2016		FA658									7
BN 251	2017-2018		FA658									8
TRK 251	2018-2022		FA658									9
304	1983		FA047			FA047HH						10
TNT 300 Tornado T	2016-2018		FA658*				MD2003X*	MD2003XC*				11
302 R	2017-2020		FA658*				MD2003X*	MD2003XC*				12
302 S	2018-2020		FA658*				MD2003X*	MD2003XC*				13
BN302	2015-2016		FA658*				MD2003X*	MD2003XC*				14
BN302	2017-2018		FA658*				MD2003X*	MD2003XC*				15
354	1982		FA047*			FA047HH*						16
Zenzero 350	2012-2016		SFA228	SFAC228		SFA228HH						17
354 Sport 2	1983		FA047*			FA047HH*						18
Imperiale 400	2018-2024		FA196			FA196HH★						19
Velvet 400 Dusk	2003-2004		SFA194	SFAC194		SFA194HH						20
402S	2018		FA658*									21
BX Cross	2007-2012		FA181TT		MXS181	FA181R						22
500 4	1976		FA047*		FA047V*	FA047HH*						23
502 Cruiser	2021-2023					FA322/4HH*★						24
Leoncino 500	2017-2024					FA322/4HH*★	MD2003X*	MD2003XC*				25
Leoncino 500 Trail	2017-2024					FA322/4HH*★	MD2003X*	MD2003XC*				26
TRE-K 502	2016		FA244*			FA244HH*★						27
TRK 502	2017-2024					FA322/4HH*★						28
TRK 502 X	2017-2024		FA778*			FA778HH*	MD2003X*	MD2003XC*				29
BX 505 Enduro	2008-2012		FA181TT		MXS181	FA181R						30
BX 570 Motard	2008-2010					FA322/4HH★						31
BN600 GT	2014-2017					FA322/4HH*★	MD2003X*	MD2003XC*				32
BN600 i	2014-2017					FA322/4HH*★						33
BN600 R	2014-2016					FA630HH*★						34
BN600 S	2014-2015					FA630HH*★						35
Tornado T 600	2020-2023					FA322/4HH*★	MD2003X*	MD2003XC*				36
654 Sport	1983		FA047*		FA047V*	FA047HH*						37
TRK 702	2022-2024					FA322/4HH*★						38
TRK 702 X	2022-2024		FA778*			FA778HH*	MD2003X*	MD2003XC*				39
2UE 750	2009-2010		FA244*			FA244HH*★	MD614X*	MD614XC*	VR614BLK*†			40
750 SEI	1975		FA018*		FA018V*	FA018HH*	MD837*					41
752 S S	2018-2020					FA322/4HH*★						42
752 S S	2021-2024					FA630HH*★						43
800 Trail	2020-2024		FA244*			FA244HH*★						44
Leoncino 800	2020-2024		FA244*			FA244HH*★	MD2003X*	MD2003XC*				45
TRK 800	2021-2023					FA630HH*★	MD2003X*	MD2003XC*				46
Café Racer 899	2010-2012					FA322/4HH*★						47
Century Racer 899	2011-2012					FA322/4HH*★						48
TNT 899 S Tornado Tre	2007-2011		FA244*			FA244HH*★	MD614X*	MD614XC*	VR614BLK*†			49
TNT 899 Tornado Tre	2007-2016		FA244*			FA244HH*★	MD614X*	MD614XC*	VR614BLK*†			50
TRE-K 899	2007-2016		FA244			FA244HH★	MD614X*	MD614XC*	VR614BLK*†			51
900 SEI	1983		FA018*		FA018V*	FA018HH*	MD837*					52
Tornado 900	2002		FA244*			FA244HH*★						53
Tornado Tre Novecento/LE/RS	2003-2005					FA322/4HH*★	MD621X*	MD621XC*	VR621BLK*†			54
R 1130 Tornado Tre	2009-2012					FA322/4HH*★	MD2003X*	MD2003XC*				55
TNT 1130 Café Racer	2005		FA244*			FA244HH*★	MD621X*	MD621XC*	VR621BLK*†			56
TNT 1130 Café Racer	2006-2012					FA322/4HH*★	MD621X*	MD621XC*	VR621BLK*†			57
TNT 1130 R Tornado Naked Tre	2013-2016					FA447HH*★	MD2003X*	MD2003XC*				58
TNT 1130 Sport/Sport Evo	2004-2009					FA322/4HH*★	MD621X*	MD621XC*	VR621BLK*†			59
TNT 1130 Titanium	2005		FA244*			FA244HH*★	MD621X*	MD621XC*	VR621BLK*†			60

FRONT / AVANT / VORN / VORN / FRENTE / ANTERIORE

R Suffix = High Durability Sintered Pad. HH Suffix = High Performance Sintered Pad. TT Suffix = Hard Wearing Off Road Pad. V Suffix = Semi Sintered Pad. G Suffix = Grooved Shoe.
D Suffix = Drilled Disc. X Suffix = Universal Left or Right Disc. XC Suffix = Contoured Disc. LS Suffix = Left/Steel Disc. RS = Right/Steel Disc.

*-2 Sets Required. † For Vee disc colours add RED, BLU, GRN, GLD, ORG suffix to part number.

⊗ - Also available as a Vintage Motorcycle Disc. ★ - EPFA available. ⚙ - Disc made of Billet steel. ♦ - CE solid discs for Enduro use.

Non-JAPANESE Built Motorcycles

**BRAKE
APPLICATIONS**

Line #	BRAKE DISC CHOICES - FRONT			DISC PAD CHOICES - REAR				BRAKE DISC CHOICES - REAR					
	SMX Oversize 320mm Disc Kit Front Left	Front disc bolt kit	Front Brake Line	FA, SFA, TT Pad or Brake Shoe	SFAC Carbon Scooter Pads	Speciality Pads - SXR / Vee / MXS	Sintered HH/R Pads/ Grooved Shoes	Standard Replacement Disc	Contour Disc Rear Fitment	Vee Discs CONTOUR	CX Extreme MX Race Disc / UTVX Disc	Rear disc bolt kit	Rear Brake Line
1				SFA413	SFAC413		SFA413HH						
2													
3				893									
4				FA698			FA698HH						
5				FA047			FA047HH						
6				SFA298	SFAC298		SFA298HH	MD966D		VR966			
7				FA298									
8				FA698			FA698HH						
9				FA698			FA698HH						
10				929									
11		DB201/6		FA698			FA698HH						
12		DB201/6		FA698			FA698HH						
13		DB201/6		FA698			FA698HH						
14		DB201/6		FA298									
15		DB201/6		FA698			FA698HH						
16				FA018			FA018HH						
17				SFA083	SFAC083		SFA083HH						
18				FA047			FA047HH						
19				FA698			FA698HH						
20				SFA298	SFAC298		SFA298HH						
21				FA698			FA698HH						
22				FA208TT		MXS208	FA208R						
23				929									
24				FA266			FA266HH★						
25		DB201/6		FA698			FA698HH						
26		DB201/6		FA698			FA698HH						
27				FA266			FA266HH★						
28				FA698			FA698HH						
29		DB201/6		FA698			FA698HH						
30				FA208TT		MXS208	FA208R						
31				FA208TT		MXS208	FA208R						
32		DB201/6		FA266			FA266HH★						
33				FA266			FA266HH★						
34				FA266			FA266HH★						
35				FA266			FA266HH★						
36		DB201/6		FA266			FA266HH★	MD651					
37				FA047			FA047HH						
38				FA698			FA698HH						
39		DB201/6		FA698			FA698HH						
40				FA266			FA266HH★						
41													
42				FA698			FA698HH						
43				FA266			FA266HH★						
44				FA266			FA266HH★						
45		DB201/6		FA266			FA266HH★						
46		DB201/6		FA266			FA266HH★						
47				FA266			FA266HH★						
48				FA266			FA266HH★						
49				FA266			FA266HH★	MD651					
50				FA266			FA266HH★	MD651					
51				FA266			FA266HH★	MD651					
52				FA077									
53				FA266			FA266HH★	MD651					
54				FA266			FA266HH★	MD651					
55		DB201/6		FA266			FA266HH★						
56				FA266			FA266HH★	MD651					
57				FA266			FA266HH★	MD651					
58		DB201/6		FA266			FA266HH★						
59				FA266			FA266HH★	MD651					
60				FA266			FA266HH★	MD651					

REAR / ARRIÈRE / HINTEN / POSTERIOR / POSTERIORE

R Suffix = High Durability Sintered Pad. **HH** Suffix = High Performance Sintered Pad. **TT** Suffix = Hard Wearing Off Road Pad. **V** Suffix = Semi Sintered Pad. **G** Suffix = Grooved Shoe.
D Suffix = Drilled Disc. **X** Suffix = Universal Left or Right Disc. **XC** Suffix = Contoured Disc. **LS** Suffix = Left/Steel Disc. **RS** = Right/Steel Disc.

*-2 Sets Required. † For Vee disc colours add RED, BLU, GRN, GLD, ORG suffix to part number.

⊙ - Also available as a Vintage Motorcycle Disc. ★ - EPFA available. ⊕ Disc made of Billet steel. ◆ CE solid discs for Enduro use.

Part numbers, prefixes, suffixes, photos and illustrations shown in this catalogue are trademarks and/or copyrights of EBC Brakes or the trademark owner A C Freeman Investments Ltd and use without express written permission of the owners is punishable by law.

Non-JAPANESE Built Motorcycles



BENELLI Contd.

TNT 1130 Titanium	2006
TNT 1130 Tornado Naked Tre	2006-2007
TRE 1130 Tornado	2006-2010
TRE-K 1130	2006-2017
TRE-K 1130 Amazonas	2007-2015

BETA

ARK	1996-2014
ARK	1997-2014
Eickon 50	1999-2006
Enduro RR 50 Sport	2021-2023
Minicross Pro Race 12/10	2004-2006
Minitrial	2013-2015
Minitrial 50	2009-2012
Pro Race 50	2005
Quadra 50	1997-2001
Rev 50	2000-2008
RR 50 Enduro	1997-2002
RR 50 Enduro	2004-2007
RR 50 Enduro	2008-2020
RR 50 Enduro Alu/Motard Alu	2004-2008
RR 50 Enduro Factory	2012-2020
RR 50 Enduro Racing	2017-2023
RR 50 Enduro Standard	2009-2014
RR 50 Enduro/Supermoto	1999-2005
RR 50 Motard	2009-2012
RR 50 Motard	2012-2013
RR 50 Motard Skull	2011
RR 50 Motard Sport	2014-2023
RR 50 Motard Standard	2009-2012
RR 50 Motard Standard	2013-2016
RR 50 Motard Track	2008-2017
RR 50 Motard Track R	2014-2024
RR 50 Standard	2005-2008
Tempo 16	1994-1997
Tempo 50	1998-2002
Evo 80 Junior	2009-2024
Evo 80 Senior	2009-2024
Rev 80	2000-2007
Rev 80	2008
124 TR	1980-1983
125 TR 34	1988
125 TR 34	1989
Alp 125	1998-2004
Alp 125	2005-2015
Evo 125	2009-2015
Jonathan 125	2000-2001
Jonathan 125	2002-2005
Motard RR 125	2011-2022
R 125 Mini Cross	2010
RE 125 Enduro 4T	2009-2010
RE 125 Enduro 2T	2010-2014
RR 125 Enduro 4T	2009-2014
RR 125 Enduro 4T	2011-2024
RR 125 Inc RC 2T	2018-2020
RR 125 Motard 4T	2008-2014
RR 125 Motard 4T	2011-2024
RR Enduro 125 2T	2018-2024
RR Racing 125 2T	2019-2024
RR-S 125 4T	2018-2020

DISC PAD CHOICES - FRONT				BRAKE DISC CHOICES - FRONT					Line #
FA, SFA, TT Pad or Brake Shoe	SFAC Carbon Scooter Pads	Speciality Pads - SXR / Vee / MXS	Sintered/HH Pads/ Grooved Shoes	Standard Replacement Discs	Contour Disc Universal Left and Right	Vee-Discs Black † See note below	CX Extreme Disc / UTVX Disc	OSX Oversize 250mm or 280mm	
			FA322/4HH*★	MD621X*	MD621XC*	VR621BLK*†			1
FA244*			FA244HH*★	MD621X*	MD621XC*	VR621BLK*†			2
			FA322/4HH*★	MD621X*	MD621XC*	VR621BLK*†			3
FA244*			FA244HH*★	MD614X*	MD614XC*	VR614BLK*†			4
FA244*			FA244HH*★	MD2003X*	MD2003XC*				5
									6
									7
SFA193	SFAC193		SFA193HH	MD901D		VR901			8
SFA193	SFAC193		SFA193HH	MD901D		VR901			9
SFA115	SFAC115		SFA115HH	MD901D		VR901			10
FA194			FA194HH						11
FA351TT									12
FA351TT									13
FA351TT									14
FA115			FA115HH						15
SFA193	SFAC193		SFA193HH	MD901D		VR901			16
FA115			FA115R						17
FA167			FA167HH						18
FA194			FA194HH						19
FA194			FA194HH						20
FA194			FA194HH						21
FA194			FA194HH						22
FA194			FA194HH						23
FA115TT			FA115R						24
FA115			FA115HH						25
FA194			FA194HH						26
FA194			FA194HH						27
FA194			FA194HH						28
FA194			FA194HH						29
FA115TT			FA115R						30
FA194			FA194HH						31
FA194			FA194HH						32
FA194			FA194HH						33
FA194			FA194HH						34
SFA116									35
SFA193	SFAC193		SFA193HH	MD901D		VR901			36
FA115TT			FA115R						37
FA303TT									38
FA115			FA115R						39
FA303TT									40
			841G						41
FA115			FA115R						42
FA115			FA115R						43
FA115TT			FA115R						44
FA194			FA194HH						45
FA303TT									46
FA095			FA095HH★	MD813					47
FA095			FA095HH★	MD813					48
FA194			FA194HH						49
SFA169	SFAC169		SFA169HH						50
FA194			FA194HH						51
FA115TT			FA115R						52
FA194			FA194HH						53
FA194			FA194HH						54
FA185TT		MXS185	FA185R						55
FA194			FA194HH						56
FA194			FA194HH						57
FA185TT		MXS185	FA185R	MD6032D			MD6032CX	OSX6032E	58
FA185TT		MXS185	FA185R	MD6032D			MD6433CX	OSX6032E	59
SFA324	SFAC324		SFA324HH						60

FRONT / AVANT / VORN / FRENTE / ANTERIORE

R Suffix = High Durability Sintered Pad. HH Suffix = High Performance Sintered Pad. TT Suffix = Hard Wearing Off Road Pad. V Suffix = Semi Sintered Pad. G Suffix = Grooved Shoe.
D Suffix = Drilled Disc. X Suffix = Universal Left or Right Disc. XC Suffix = Contoured Disc. LS Suffix = Left/Steel Disc. RS = Right/Steel Disc.

*-2 Sets Required. † For Vee disc colours add RED, BLU, GRN, GLD, ORG suffix to part number.

⊗ - Also available as a Vintage Motorcycle Disc. ★ - EPFA available. ⚙ Disc made of Billet steel. ♦ CE solid discs for Enduro use.

148 Part numbers, prefixes, suffixes, photos and illustrations shown in this catalogue are trademarks and/or copyrights of EBC Brakes or the trademark owner A C Freeman Investments Ltd and use without express written permission of the owners is punishable by law.

Non-JAPANESE Built Motorcycles

BRAKE APPLICATIONS

Line #	BRAKE DISC CHOICES - FRONT			DISC PAD CHOICES - REAR				BRAKE DISC CHOICES - REAR					
	SMX Oversize 320mm Disc Kit Front Left	Front disc bolt kit	Front Brake Line	FA, SFA, TT Pad or Brake Shoe	SFAC Carbon Scooter Pads	Speciality Pads - SXR / Vee / MXS	Sintered HH/R Pads/ Grooved Shoes	Standard Replacement Disc	Contour Disc Rear Fitment	Vee Discs CONTOUR	CX Extreme MX Race Disc / UTVX Disc	Rear disc bolt kit	Rear Brake Line
1				FA266			FA266HH★	MD651					
2				FA266			FA266HH★	MD651					
3				FA266			FA266HH★	MD651					
4				FA266			FA266HH★	MD651					
5		DB201/6		FA266			FA266HH★						
6													
7													
8				893									
9				SFA193	SFAC193		SFA193HH	MD901D		VR901			
10				FA115	SFAC115		FA115HH	MD901D					
11				FA367/2TT			FA367/2R						
12				FA351TT									
13													
14													
15				FA351TT									
16				893									
17				FA115			FA115R						
18				FA115			FA115HH						
19				FA115			FA115HH						
20				FA367/2TT			FA367/2R						
21				FA115			FA115HH						
22				FA367/2TT			FA367/2R						
23				FA367/2TT			FA367/2R						
24				FA367/2TT			FA367/2R						
25				FA115			FA115HH						
26				FA367/2TT			FA367/2R						
27				FA367/2TT			FA367/2R						
28				FA367/2TT			FA367/2R						
29				FA367/2TT			FA367/2R						
30				FA367/2TT			FA367/2R						
31				FA367/2TT			FA367/2R						
32				FA367/2TT			FA367/2R						
33				FA367/2TT			FA367/2R						
34				FA115			FA115HH						
35				893									
36				893									
37				FA115TT			FA115R						
38				FA403									
39				FA115			FA115R						
40				FA403									
41													
42							841G						
43				FA116									
44				FA115			FA115R						
45				FA115TT			FA115R						
46				FA367/2TT			FA367/2R						
47				FA495									
48				FA213			FA213HH★						
49				FA173									
50				FA367/2TT			FA367/2R						
51				FA115			FA115HH						
52				FA367/2TT			FA367/2R						
53				FA367/2TT			FA367/2R		MD6386C				
54				FA367/2TT			FA367/2R		MD6386C				
55				FA367/2TT			FA367/2R						
56				FA367/2TT			FA367/2R						
57				FA367/2TT			FA367/2R						
58	SMX6032E	DB603/6		FA367/2TT			FA367/2R	MD6269D	MD6269C		MD6269CX♦		
59		DB603/6		FA367/2TT			FA367/2R	MD6269D			MD6269CX♦		
60				FA367/2TT			FA367/2R						

REAR / ARRIÈRE / HINTEN / POSTERIOR / POSTERIORE

R Suffix = High Durability Sintered Pad. **HH** Suffix = High Performance Sintered Pad. **TT** Suffix = Hard Wearing Off Road Pad. **V** Suffix = Semi Sintered Pad. **G** Suffix = Grooved Shoe. **D** Suffix = Drilled Disc. **X** Suffix = Universal Left or Right Disc. **XC** Suffix = Contoured Disc. **LS** Suffix = Left/Steel Disc. **RS** = Right/Steel Disc.

*-2 Sets Required. † For Vee disc colours add RED, BLU, GRN, GLD, ORG suffix to part number.

⊙ - Also available as a Vintage Motorcycle Disc. ★ - EPFA available. ⚙ - Disc made of Billet steel. ♦ - CE solid discs for Enduro use.

Part numbers, prefixes, suffixes, photos and illustrations shown in this catalogue are trademarks and/or copyrights of EBC Brakes or the trademark owner A C Freeman Investments Ltd and use without express written permission of the owners is punishable by law.

Non-JAPANESE Built Motorcycles



BETA Contd.



		DISC PAD CHOICES - FRONT				BRAKE DISC CHOICES - FRONT					
		FA, SFA, TT Pad or Brake Shoe	SFAC Carbon Scooter Pads	Speciality Pads - SXR / Vee / MXS	Sintered/HH Pads/ Grooved Shoes	Standard Replacement Discs	Contour Disc Universal Left and Right	Vee-Discs Black † See note below	CX Extreme Disc / UTVX Disc	OSX Oversize 250mm or 280mm	Line #
RR-S 125 CBS Motard 4T	2018-2020	SFA324	SFAC324		SFA324HH						1
TR 125	1980-1983				841G						2
TR 125 32/33	1986-1987	FA099									3
Trial Evo 125	2020-2024	FA303TT									4
Trial Evo 125 Factory	2020-2024	FA303TT									5
Urban 125	2008-2015	FA194			FA194HH						6
Urban 125 Special	2009-2015	FA194			FA194HH						7
Eikon 125/150	2000-2006	SFA047			SFA047HH	MD924D		VR924			8
R 150 Minicross	2010-2013	FA086			FA086HH						9
200 RR Enduro 2T	2019-2024	FA185TT		MXS185	FA185R	MD6032D			MD6032CX	OSX6032E	10
200 RR Racing 2T	2021-2024	FA185TT		MXS185	FA185R				MD6433CX	OSX6032E	11
Alp 200	2000-2004	FA194			FA194HH						12
Alp 200	2005-2023	FA115TT			FA115R						13
Evo 200	2009-2020	FA303TT									14
Rev 3 125/200	2000-2005	FA303TT									15
Rev 3 125/200	2006-2008	FA303TT									16
Trial Evo 200	2020-2023	FA303TT									17
Trial Evo 200 Factory	2020-2024	FA303TT									18
Urban 200	2008-2015	FA194			FA194HH						19
Urban 200 Special	2009-2015	FA194			FA194HH						20
240 TR	1980-1983				841G						21
240 TR 32	1984-1985										22
240 TR 33	1986	FA099									23
Super Trial ST 240	1994	FA115TT			FA115R						24
250 RR Enduro 2T	2005-2007	FA185TT		MXS185	FA185R		MD6367C				25
250 RR Enduro 2T	2013-2014	FA185TT		MXS185	FA185R	MD6032D			MD6032CX	OSX6032E	26
250 RR Enduro 2T	2018-2020	FA185TT		MXS185	FA185R	MD6032D			MD6032CX	OSX6032E	27
250 RR Enduro 2T	2015-2024	FA185TT		MXS185	FA185R	MD6032D			MD6032CX	OSX6032E	28
250 RR Enduro 2T	2021-2024	FA185TT		MXS185	FA185R	MD6032D			MD6433CX	OSX6032E	29
250 X-Trainer 2T	2019-2022	FA185TT		MXS185	FA185R	MD6032D			MD6032CX	OSX6032E	30
Eurotek/Techno 125/250	1996-1998	FA115			FA115R						31
Evo 250	2009-2022	FA303TT									32
Evo 250	2020-2024	FA303TT									33
Evo 250 Factory	2009-2020	FA303TT									34
Evo 250 Factory	2020-2024	FA303TT									35
Rev 3 250	2007-2008	FA303TT									36
Rev 3 250/270	2000-2004	FA303TT									37
Rev 3 250/270	2005-2008	FA303TT									38
Techno 250	1995	FA115TT			FA115R						39
Synt 260	1992	FA115TT			FA115R						40
Synt/Gara 260	1993-1995	FA115TT			FA115R						41
TR 34 260	1986-1988	FA099									42
TR 34 260	1986	FA099									43
TR 34 260	1989-1991	FA099									44
Zero 260	1992	FA115TT			FA115R						45
300 RR Enduro 2T	2013-2014	FA185TT		MXS185	FA185R	MD6032D			MD6032CX	OSX6032E	46
300 RR Enduro 2T	2018-2020	FA185TT		MXS185	FA185R	MD6032D			MD6032CX	OSX6032E	47
300 RR Enduro 2T	2015-2024	FA185TT		MXS185	FA185R	MD6032D			MD6032CX	OSX6032E	48
300 RR Racing 2T	2021-2024	FA185TT		MXS185	FA185R	MD6032D			MD6433CX	OSX6032E	49
300 RX 2T	2021-2024	FA185TT		MXS185	FA185R	MD6032D			MD6032CX	OSX6032E	50
300 X-Trainer 2T	2019-2024	FA185TT		MXS185	FA185R	MD6032D			MD6032CX	OSX6032E	51
Evo 300 2T	2009-2019	FA303TT									52
Evo 300 2T	2020-2024	FA303TT									53
Evo 300 4T	2009-2019	FA303TT									54
Evo 300 4T	2020-2024	FA303TT									55
Evo 300 Factory 2T	2020-2024	FA303TT									56
Evo 300 Factory 4T	2020-2024	FA303TT									57
350 RR Enduro	2011	FA185TT		MXS185	FA185R		MD6367C				58
350 RR Enduro	2012-2014	FA185TT		MXS185	FA185R	MD6032D			MD6032CX	OSX6032E	59
350 RR Enduro	2020-2024	FA185TT		MXS185	FA185R	MD6032D			MD6032CX	OSX6032E	60

FRONT / AVANT / VORN / FRENTE / ANTERIORE

R Suffix = High Durability Sintered Pad. HH Suffix = High Performance Sintered Pad. TT Suffix = Hard Wearing Off Road Pad. V Suffix = Semi Sintered Pad. G Suffix = Grooved Shoe.
D Suffix = Drilled Disc. X Suffix = Universal Left or Right Disc. XC Suffix = Contoured Disc. LS Suffix = Left/Steel Disc. RS = Right/Steel Disc.

*-2 Sets Required. † For Vee disc colours add RED, BLU, GRN, GLD, ORG suffix to part number.

⊗ - Also available as a Vintage Motorcycle Disc. ★ - EPFA available. ⚙ Disc made of Billet steel. ♦ CE solid discs for Enduro use.

150 Part numbers, prefixes, suffixes, photos and illustrations shown in this catalogue are trademarks and/or copyrights of EBC Brakes or the trademark owner A C Freeman Investments Ltd and use without express written permission of the owners is punishable by law.

Non-JAPANESE Built Motorcycles

**BRAKE
APPLICATIONS**

Line #	BRAKE DISC CHOICES - FRONT			DISC PAD CHOICES - REAR				BRAKE DISC CHOICES - REAR					
	SMX Oversize 320mm Disc Kit Front Left	Front disc bolt kit	Front Brake Line	FA, SFA, TT Pad or Brake Shoe	SFAC Carbon Scooter Pads	Speciality Pads - SXR / Vee / MXS	Sintered HH/R Pads/ Grooved Shoes	Standard Replacement Disc	Contour Disc Rear Fitment	Vee Discs CONTOUR	CX Extreme MX Race Disc / UTVX Disc	Rear disc bolt kit	Rear Brake Line
1				FA367/2TT			FA367/2R						
2							841G						
3							841G						
4				FA495									
5				FA495									
6				FA367/2TT			FA367/2R						
7				FA367/2TT			FA367/2R						
8				SFA298	SFAC298		SFA298HH	MD909D					
9				FA337TT									
10	SMX6032E	DB603/6		FA367/2TT			FA367/2R	MD6269D	MD6269C		MD6269CX♦		
11				FA367/2TT			FA367/2R	MD6269D			MD6269CX♦		
12				FA367/2TT			FA367/2R						
13				FA115TT			FA115R						
14				FA495									
15				FA303TT									
16				FA403									
17				FA495									
18				FA495									
19				FA367/2TT			FA367/2R						
20				FA367/2TT			FA367/2R						
21							841G						
22							841G						
23							841G						
24				FA164			FA164R						
25				FA367/2TT			FA367/2R		MD6368C				
26	SMX6032E	DB603/6		FA367/2TT			FA367/2R	MD6269D	MD6269C		MD6269CX♦		
27	SMX6032E	DB603/6		FA367/2TT			FA367/2R	MD6269D	MD6269C		MD6269CX♦		
28	SMX6032E	DB603/6		FA367/2TT			FA367/2R	MD6269D	MD6269C		MD6269CX♦		
29		DB603/6		FA367/2TT			FA367/2R	MD6269D	MD6269C		MD6269CX♦		
30	SMX6032E	DB603/6		FA367/2TT			FA367/2R	MD6269D	MD6269C		MD6269CX♦		
31				FA115			FA115R						
32				FA495									
33				FA495									
34							FA495						
35				FA495									
36				FA403									
37				FA303TT									
38				FA403									
39				FA156									
40				FA164			FA164R						
41				FA156									
42				FA116									
43				FA116									
44				FA164			FA164R						
45				FA164			FA164R						
46	SMX6032E	DB603/6		FA367/2TT			FA367/2R	MD6269D	MD6269C		MD6269CX♦		
47	SMX6032E	DB603/6		FA367/2TT			FA367/2R	MD6269D	MD6269C		MD6269CX♦		
48	SMX6032E	DB603/6		FA367/2TT			FA367/2R	MD6269D	MD6269C		MD6269CX♦		
49		DB603/6		FA367/2TT			FA367/2R	MD6269D	MD6269C		MD6269CX♦		
50	SMX6032E	DB603/6		FA367/2TT			FA367/2R	MD6269D	MD6269C		MD6269CX♦		
51	SMX6032E	DB603/6		FA367/2TT			FA367/2R	MD6269D	MD6269C		MD6269CX♦		
52				FA495									
53				FA495									
54				FA495									
55				FA495									
56				FA495									
57				FA495									
58				FA367/2TT			FA367/2R		MD6368C				
59	SMX6032E	DB603/6		FA367/2TT			FA367/2R	MD6269D	MD6269C		MD6269CX♦		
60	SMX6032E	DB603/6		FA367/2TT			FA367/2R	MD6269D	MD6269C		MD6269CX♦		

REAR / ARRIÈRE / HINTEN / POSTERIOR / POSTERIORE

R Suffix = High Durability Sintered Pad. **HH** Suffix = High Performance Sintered Pad. **TT** Suffix = Hard Wearing Off Road Pad. **V** Suffix = Semi Sintered Pad. **G** Suffix = Grooved Shoe.
D Suffix = Drilled Disc. **X** Suffix = Universal Left or Right Disc. **XC** Suffix = Contoured Disc. **LS** Suffix = Left/Steel Disc. **RS** = Right/Steel Disc.

*-2 Sets Required. † For Vee disc colours add RED, BLU, GRN, GLD, ORG suffix to part number.

⊙ - Also available as a Vintage Motorcycle Disc. ★ - EPFA available. Ⓢ Disc made of Billet steel. ♦ CE solid discs for Enduro use.

Part numbers, prefixes, suffixes, photos and illustrations shown in this catalogue are trademarks and/or copyrights of EBC Brakes or the trademark owner A C Freeman Investments Ltd and use without express written permission of the owners is punishable by law.

Non-JAPANESE Built Motorcycles



BETA Contd.



		DISC PAD CHOICES - FRONT			BRAKE DISC CHOICES - FRONT						
		FA, SFA, TT Pad or Brake Shoe	SFAC Carbon Scooter Pads	Speciality Pads - SXR / Vee / MXS	Sintered/HH Pads/ Grooved Shoes	Standard Replacement Discs	Contour Disc Universal Left and Right	Vee-Discs Black † See note below	CX Extreme Disc / UTVX Disc	OSX Oversize 250mm or 280mm	Line #
350 RR Racing	2019-2024	FA185TT		MXS185	FA185R	MD6032D			MD6433CX	OSX6032E	1
350 RR-S Enduro	2020-2022	FA185TT		MXS185	FA185R	MD6032D					2
350 RR-S Enduro	2013-2019	FA185TT		MXS185	FA185R	MD6032D			MD6032CX	OSX6032E	3
Alp 4.0	2005-2015	FA194			FA194HH						4
Euro 350	2000-2001	FA126			FA126HH	MD813					5
Euro 350	2002	FA126			FA126HH	MD813					6
Euro 350	2003-2006	FA095			FA095HH★	MD813					7
Jonathan 350	2003-2006	FA095			FA095HH★						8
M4 350 Supermotard	2004-2006	FA426									9
M4 350 Supermotard	2007-2015	FA426									10
390 RR Enduro	2015-2024	FA185TT		MXS185	FA185R	MD6032D			MD6032CX	OSX6032E	11
390 RR Racing	2015-2024	FA185TT		MXS185	FA185R				MD6433CX	OSX6032E	12
400 RR Enduro	2005-2011	FA185TT		MXS185	FA185R		MD6367C				13
400 RR Enduro	2012-2014	FA185TT		MXS185	FA185R	MD6032D			MD6032CX	OSX6032E	14
430 RR Enduro	2015-2024	FA185TT		MXS185	FA185R	MD6032D			MD6032CX	OSX6032E	15
430 RR Racing	2015-2024	FA185TT		MXS185	FA185R				MD6433CX	OSX6032E	16
430 RR-S Enduro	2015-2022	FA185TT		MXS185	FA185R	MD6032D			MD6032CX	OSX6032E	17
450 RR Cross Country	2012	FA185TT		MXS185	FA185R	MD6032D			MD6032CX	OSX6032E	18
450 RR Enduro	2005-2011	FA185TT		MXS185	FA185R		MD6367C				19
450 RR Enduro	2012-2014	FA185TT		MXS185	FA185R	MD6032D			MD6032CX	OSX6032E	20
450 RR Racing	2013-2020	FA185TT		MXS185	FA185R				MD6433CX	OSX6032E	21
450 RX	2024	FA185TT		MXS185	FA185R				MD6433CX	OSX6032E	22
480 RR Enduro	2015-2024	FA185TT		MXS185	FA185R	MD6032D			MD6032CX	OSX6032E	23
480 RR Racing	2015-2024	FA185TT		MXS185	FA185R				MD6433CX	OSX6032E	24
RR 498 Enduro	2012-2020	FA185TT		MXS185	FA185R	MD6032D			MD6032CX	OSX6032E	25
RR 498 Enduro Racing	2013-2014	FA185TT		MXS185	FA185R				MD6433CX	OSX6032E	26
500 RR-S Enduro	2020-2022	FA185TT		MXS185	FA185R	MD6032D			MD6032CX	OSX6032E	27
RR 520 Enduro	2010-2011	FA185TT		MXS185	FA185R		MD6367C				28
RR 525 Enduro	2005-2009	FA185TT		MXS185	FA185R		MD6367C				29
RK6	1993-1996	FA167			FA167HH	MD6296D					30
Electric 16 Minitrial	2018-2023	CFA327			CFA327R						31
Electric 20 Minitrial	2018-2023	CFA327			CFA327R						32
Electric 20XL Minitrial	2018-2023	CFA327			CFA327R						33
Mini-Cross Electric	2017-2022	TBC									34
											35
											36
BETTER											37
BT 125-20	2006-2009	FA486									38
											39
BIMOTA											40
All early models	1988	FA018*		FA018V*	FA018HH*						41
DB5 All Models	2006-2007				FA322/4HH*★	MD2003X*	MD2003XC*				42
DB6 Delirio	2007				FA322/4HH*★	MD2003X*	MD2003XC*				43
Delirio	2006				FA322/4HH*★						44
Tesi 2D Ducati	2004-2006	FA095*			FA095HH*★						45
All models	1989	FA095*			FA095HH*★						46
Later models 1998 onwards	1998	FA244*			FA244HH*★						47
SB8K Gobert	2006	FA244*			FA244HH*★	MD2003X*	MD2003XC*				48
SB8K Santamonica	2004				FA322/4HH*★	MD621X*	MD621XC*	VR621BLK*†			49
DB5 Desiderio	2012-2014				FA322/4HH*★						50
DB5 R	2006-2013				FA322/4HH*★						51
DB5R/S 1078cc	2008-2009				FA322/4HH*★						52
DB6 1078cc	2008-2009				FA322/4HH*★						53
Tesi 3D 1078cc	2009-2013				FA322/4HH*★						54
DB10 Motard 1078cc	2012-2014				FA322/4HH*★						55
DB11 VLX 1198cc	2012-2014				FA322/4HH*★						56
DB12 B Tourist 1198cc	2012-2013				FA322/4HH*★						57
DB6 1100cc	2008				FA322/4HH*★						58
DB6 1100cc	2012-2013				FA322/4HH*★						59
DB6/R 1078cc	2008-2009				FA322/4HH*★						60
DB6R Delirio 1100cc	2008				FA322/4HH*★	MD2003X*	MD2003XC*				60

FRONT / AVANT / VORN / FRENTE / ANTERIORE

R Suffix = High Durability Sintered Pad. HH Suffix = High Performance Sintered Pad. TT Suffix = Hard Wearing Off Road Pad. V Suffix = Semi Sintered Pad. G Suffix = Grooved Shoe.
D Suffix = Drilled Disc. X Suffix = Universal Left or Right Disc. XC Suffix = Contoured Disc. LS Suffix = Left/Steel Disc. RS = Right/Steel Disc.

*-2 Sets Required. † For Vee disc colours add RED, BLU, GRN, GLD, ORG suffix to part number.

⊗ - Also available as a Vintage Motorcycle Disc. ★ - EPFA available. ⚙ Disc made of Billet steel. ♦ CE solid discs for Enduro use.

152 Part numbers, prefixes, suffixes, photos and illustrations shown in this catalogue are trademarks and/or copyrights of EBC Brakes or the trademark owner A C Freeman Investments Ltd and use without express written permission of the owners is punishable by law.

Non-JAPANESE Built Motorcycles

Line #	BRAKE DISC CHOICES - FRONT			DISC PAD CHOICES - REAR				BRAKE DISC CHOICES - REAR					
	SMX Oversize 320mm Disc Kit Front Left	Front disc bolt kit	Front Brake Line	FA, SFA, TT Pad or Brake Shoe	SFAC Carbon Scooter Pads	Speciality Pads - SXR / Vee / MXS	Sintered HH/R Pads/ Grooved Shoes	Standard Replacement Disc	Contour Disc Rear Fitment	Vee Discs CONTOUR	CX Extreme MX Race Disc / UTVX Disc	Rear disc bolt kit	Rear Brake Line
1		DB603/6		FA367/2TT			FA367/2R	MD6269D	MD6269C		MD6269CX♦		
2				FA367/2TT			FA367/2R	MD6269D	MD6269C		MD6269CX♦		
3	SMX6032E	DB603/6		FA367/2TT			FA367/2R	MD6269D	MD6269C		MD6269CX♦		
4				FA367/2TT			FA367/2R						
5				FA213			FA213HH★						
6				FA173									
7				FA101									
8				FA101									
9				FA337TT									
10				FA367/2TT									
11	SMX6032E	DB603/6		FA367/2TT			FA367/2R	MD6269D	MD6269C		MD6269CX♦		
12				FA367/2TT			FA367/2R	MD6269D	MD6269C		MD6269CX♦		
13				FA367/2TT			FA367/2R		MD6368C				
14	SMX6032E	DB603/6		FA367/2TT			FA367/2R	MD6269D	MD6269C		MD6269CX♦		
15	SMX6032E	DB603/6		FA367/2TT			FA367/2R	MD6269D	MD6269C		MD6269CX♦		
16				FA367/2TT			FA367/2R	MD6269D	MD6269C		MD6269CX♦		
17	SMX6032E	DB603/6		FA367/2TT			FA367/2R	MD6269D	MD6269C		MD6269CX♦		
18	SMX6032E	DB603/6		FA367/2TT			FA367/2R	MD6269D	MD6269C		MD6269CX♦		
19				FA367/2TT			FA367/2R		MD6368C				
20	SMX6032E	DB603/6		FA367/2TT			FA367/2R	MD6269D	MD6269C		MD6269CX♦		
21				FA367/2TT			FA367/2R	MD6269D	MD6269C		MD6269CX♦		
22				FA367/2TT			FA367/2R	MD6269D	MD6269C		MD6269CX♦		
23	SMX6032E	DB603/6		FA367/2TT			FA367/2R	MD6269D	MD6269C		MD6269CX♦		
24				FA367/2TT			FA367/2R	MD6269D	MD6269C		MD6269CX♦		
25	SMX6032E	DB603/6		FA367/2TT			FA367/2R	MD6269D	MD6269C		MD6269CX♦		
26				FA367/2TT			FA367/2R	MD6269D	MD6269C		MD6269CX♦		
27	SMX6032E	DB603/6		FA367/2TT			FA367/2R	MD6269D	MD6269C		MD6269CX♦		
28				FA367/2TT			FA367/2R		MD6368C				
29				FA367/2TT			FA367/2R		MD6368C				
30				FA116									
31				CFA327			CFA327R						
32				CFA327			CFA327R						
33				CFA327			CFA327R						
34				FA173									
35													
36													
37													
38													
39													
40				FA018		FA018V	FA018HH						
41		DB201/6		FA266			FA266HH★						
42		DB201/6		FA266			FA266HH★						
43				FA266			FA266HH★						
44				FA047			FA047HH						
45				FA047			FA047HH						
46				FA047			FA047HH						
47		DB201/6		FA047			FA047HH						
48				FA047			FA047HH						
49				FA266			FA266HH★						
50				FA266			FA266HH★						
51				FA047			FA047HH						
52				FA047			FA047HH						
53				FA047			FA047HH						
54				FA047			FA047HH						
55				FA266			FA266HH★						
56				FA266			FA266HH★						
57				FA266			FA266HH★						
58				FA047			FA047HH						
59				FA047			FA047HH						
60		DB201/6		FA266			FA266HH★						

REAR / ARRIÈRE / HINTEN / POSTERIOR / POSTERIORE

R Suffix = High Durability Sintered Pad. HH Suffix = High Performance Sintered Pad. TT Suffix = Hard Wearing Off Road Pad. V Suffix = Semi Sintered Pad. G Suffix = Grooved Shoe.
D Suffix = Drilled Disc. X Suffix = Universal Left or Right Disc. XC Suffix = Contoured Disc. LS Suffix = Left/Steel Disc. RS = Right/Steel Disc.

BRAKE APPLICATIONS

*-2 Sets Required. † For Vee disc colours add RED, BLU, GRN, GLD, ORG suffix to part number.

⊙ - Also available as a Vintage Motorcycle Disc. ★ - EPFA available. ⚙ Disc made of Billet steel. ♦ CE solid discs for Enduro use.

Part numbers, prefixes, suffixes, photos and illustrations shown in this catalogue are trademarks and/or copyrights of EBC Brakes or the trademark owner A C Freeman Investments Ltd and use without express written permission of the owners is punishable by law.

Non-JAPANESE Built Motorcycles



BIMOTA Contd.

DB7 1098cc	2008
DB7 1099cc	2009-2014
DB8 1198cc	2010-2014
DB8 SP 1198cc	2010-2013
DBX 1100	2012-2014
DB9 Brivido 1198cc	2012-2014
DB9 Brivido S 1198cc	2012-2014

BLANEY QUADS

XC 125 Trojan	2003-2004
XL 200 Trooper	2003-2004

BLATA

Enduro 125	2007-2008
Motard 125	2007-2008

BMW

R50/5/60/5/60/6/75/5 R	1969-1976
R60 TIC R	1978-1982
R60 TIC R	Left 1978-1982
	Right
R65 GS	1987-1992
R65 LS	Left 1981-1985
	Right
R65 LS	Left 1981-1985
	Right
R65 R	1988-1989
R65 R	Left 1988-1989
	Right
R65 RT	Left 1985-1988
	Right
R65 T	1980-1985
R65 T	1980-1985
K75 75-2 1984-July 1990	Left 1984-1990
	Right
K75 75-2 Aug. 1990	Left 1990-1996
	Right
K75 75-2 Sept. 1988-1996	Left 1988-1996
	Right
K75 75-S 1984-Aug. 1988	Left 1984-1988
	Right
K75 C 1985-August	Left 1985-1988
	Right
K75 C Sept. 1988	Left 1988-1990
	Right
K75 RT	Left 1989-1996
	Right
K75 RT	Left 1989-1996
	Right
K75 S	Left 1985-1988
	Right
K75 S	Left 1985-1988
	Right
K75 S	Left 1988-1995
	Right
K75 S	Left 1988-1995
	Right
R75/6 75/7 R	1973-1979
R75/6 75/7 R	Left 1973-1979
	Right

FRONT / AVANT / VORN / FRENTE / ANTERIORE

DISC PAD CHOICES - FRONT				BRAKE DISC CHOICES - FRONT					Line #
FA, SFA, TT Pad or Brake Shoe	SFAC Carbon Scooter Pads	Speciality Pads - SXR / Vee / MXS	Sintered/HH Pads/ Grooved Shoes	Standard Replacement Discs	Contour Disc Universal Left and Right	Vee-Discs Black † See note below	CX Extreme Disc / UTVX Disc	OSX Oversize 250mm or 280mm	
			FA322/4HH*★						1
			FA447HH*★						2
			FA447HH*★						3
			FA447HH*★						4
FA209/2*			FA209/2HH*★						5
			FA322/4HH*★						6
			FA322/4HH*★						7
									8
									9
									10
									11
									12
FA399									13
FA399									14
									15
									16
864									17
FA022				MD602LS					18
FA022*				MD602LS					19
				MD602RS					20
FA018		FA018V	FA018HH	MD606RS					21
FA057*		FA057V*		MD606LS					22
				MD606RS					23
FA018*		FA018V*	FA018HH*	MD606LS					24
				MD606RS					25
FA077				MD605LS					26
FA018*		FA018V*	FA018HH*	MD605LS					27
				MD605RS					28
FA018*		FA018V*	FA018HH*	MD605LS					29
				MD605RS					30
FA018		FA018V	FA018HH	MD606LS					31
FA057		FA057V		MD606LS					32
FA018*		FA018V*	FA018HH*	MD603LS					33
				MD603RS					34
FA171*		FA171V*	FA171HH*	MD603LS					35
				MD603RS					36
FA171*		FA171V*	FA171HH*	MD604LS					37
				MD604RS					38
FA018*		FA018V*	FA018HH*	MD604LS					39
				MD604RS					40
FA018*		FA018V*	FA018HH*	MD604LS					41
				MD604RS					42
FA171*		FA171V*	FA171HH*	MD604LS					43
				MD604RS					44
FA171*		FA171V*	FA171HH*	MD604LS					45
				MD604RS					46
FA171*		FA171V*	FA171HH*	MD603LS					47
				MD603RS					48
FA018*		FA018V*	FA018HH*	MD604LS					49
				MD604RS					50
FA018*		FA018V*	FA018HH*	MD603LS					51
				MD603RS					52
FA171*		FA171V*	FA171HH*	MD604LS					53
				MD604RS					54
FA171*		FA171V*	FA171HH*	MD603LS					55
				MD603RS					56
FA022		FA022V		MD602LS					57
FA022*		FA022V*		MD602LS					58
				MD602RS					59
									60

*-2 Sets Required. † For Vee disc colours add RED, BLU, GRN, GLD, ORG suffix to part number.

⊙ - Also available as a Vintage Motorcycle Disc. ★ - EPFA available. ⚙ - Disc made of Billet steel. ♦ - CE solid discs for Enduro use.

Non-JAPANESE Built Motorcycles

Line #	BRAKE DISC CHOICES - FRONT			DISC PAD CHOICES - REAR				BRAKE DISC CHOICES - REAR					
	SMX Oversize 320mm Disc Kit Front Left	Front disc bolt kit	Front Brake Line	FA, SFA, TT Pad or Brake Shoe	SFAC Carbon Scooter Pads	Speciality Pads - SXR / Vee / MXS	Sintered HH/R Pads/ Grooved Shoes	Standard Replacement Disc	Contour Disc Rear Fitment	Vee Discs CONTOUR	CX Extreme MX Race Disc / UTVX Disc	Rear disc bolt kit	Rear Brake Line
1				FA266			FA266HH★						
2				FA047			FA047HH						
3				FA266			FA266HH★						
4				FA047			FA047HH						
5				FA209/2			FA209/2HH★						
6				FA266			FA266HH★						
7				FA266			FA266HH★						
8													
9													
10				FA083TT			FA083R						
11				FA165TT			FA165R						
12													
13													
14				FA115									
15				FA115									
16													
17													
18				860									
19				860									
20				860									
21													
22				861									
23													
24				862									
25													
26				862									
27			BLM8076-1F	861									
28													
29				861									
30													
31				861									
32				861									
33				861									
34													
35				861									
36													
37				FA018		FA018V	FA018HH	MD611					
38				861									
39													
40				863									
41													
42				861									
43													
44				861									
45													
46													
47				FA018		FA018V	FA018HH	MD611					
48													
49				FA018		FA018V	FA018HH	MD661					
50													
51				FA018		FA018V	FA018HH	MD611					
52													
53				FA018		FA018V	FA018HH	MD661					
54													
55				FA018		FA018V	FA018HH	MD611					
56													
57				FA018		FA018V	FA018HH	MD661					
58				860									
59				860									
60													

REAR / ARRIÈRE / HINTEN / POSTERIOR / POSTERIORE

R Suffix = High Durability Sintered Pad. **HH** Suffix = High Performance Sintered Pad. **TT** Suffix = Hard Wearing Off Road Pad. **V** Suffix = Semi Sintered Pad. **G** Suffix = Grooved Shoe.
D Suffix = Drilled Disc. **X** Suffix = Universal Left or Right Disc. **XC** Suffix = Contoured Disc. **LS** Suffix = Left/Steel Disc. **RS** = Right/Steel Disc.

BRAKE APPLICATIONS

*-2 Sets Required. † For Vee disc colours add RED, BLU, GRN, GLD, ORG suffix to part number.

⊙ - Also available as a Vintage Motorcycle Disc. ★ - EPFA available. ⚙ Disc made of Billet steel. ♦ CE solid discs for Enduro use.

Part numbers, prefixes, suffixes, photos and illustrations shown in this catalogue are trademarks and/or copyrights of EBC Brakes or the trademark owner A C Freeman Investments Ltd and use without express written permission of the owners is punishable by law.

Non-JAPANESE Built Motorcycles



BMW Contd.



DISC PAD CHOICES - FRONT

BRAKE DISC CHOICES - FRONT

FRONT / AVANT / VORN / FRENTE / ANTERIORE

FA, SFA, TT Pad or Brake Shoe	SFAC Carbon Scooter Pads	Speciality Pads - SXR / Vee / MXS	Sintered/HH Pads/ Grooved Shoes	Standard Replacement Discs	Contour Disc Universal Left and Right	Vee-Discs Black † See note below	CX Extreme Disc / UTVX Disc	OSX Oversize 250mm or 280mm
R80 GS	1987-1995	FA077	FA077V		MD605RS			
R80 GS	1980-1987	FA018	FA018V	FA018HH	MD606RS			
R80 Mystic	Left 1994-1995	FA407*		FA407HH*★	MD605LS			
	Right				MD605RS			
R80 PD/CH	1990-1995	FA077	FA077V		MD605RS			
R80 R	1977-1980	FA022	FA022V		MD602LS			
R80 R	Left 1977-1980	FA022*	FA022V*		MD602LS			
	Right				MD602RS			
R80 R	1980-1984	FA022	FA022V		MD602LS			
R80 R	Left 1980-1984	FA022*	FA022V*		MD602LS			
	Right				MD602RS			
R80 R	Left 1991-1994	FA407*		FA407HH*★	MD605LS			
	Right				MD605RS			
R80 R 80 RT	1984-1990	FA077	FA077V		MD605LS			
R80 R 80 RT	Left 1984-1988	FA018*	FA018V*	FA018HH*	MD605LS			
	Right				MD605RS			
R80 R 80 RT	Left 1988-1995	FA171*	FA171V*	FA171HH*	MD605LS			
	Right				MD605RS			
R80 R 80 RT	1990-1995	FA077	FA077V		MD605RS			
R80 RT	Left 1982-1984	FA018*	FA018V*	FA018HH*	MD602LS			
	Right				MD602RS			
R80 ST	1982-1984	FA018	FA018V	FA018HH	MD606RS			
R80 TIC	Left 1978-1980	FA022*	FA022V*		MD602LS			
	Right				MD602RS			
R80 TIC	Left 1980-1985	FA018*	FA018V*	FA018HH*	MD602LS			
	Right				MD602RS			
R90 S S	Left 1973-1976	FA022*	FA022V*		MD602LS			
	Right				MD602RS			
K100 LT	Left 1986-1988	FA018*	FA018V*	FA018HH*	MD604LS			
	Right				MD604RS			
K100 LT	Left 1986-1988	FA018*	FA018V*	FA018HH*	MD603LS			
	Right				MD603RS			
K100 LT	Left 1988-1991	FA171*	FA171V*	FA171HH*	MD604LS			
	Right				MD604RS			
K100 LT	Left 1988-1991	FA171*	FA171V*	FA171HH*	MD603LS			
	Right				MD603RS			
K100 RS	Left 1983-1988	FA018*	FA018V*	FA018HH*	MD604LS			
	Right				MD604RS			
K100 RS	Left 1983-1988	FA018*	FA018V*	FA018HH*	MD603LS			
	Right				MD603RS			
K100 RS	Left 1988-1989	FA171*	FA171V*	FA171HH*	MD604LS			
	Right				MD604RS			
K100 RS	Left 1988-1989	FA171*	FA171V*	FA171HH*	MD603LS			
	Right				MD603RS			
K100 RS	Left 1989-1992	FA407*		FA407HH*★	MD607LS			
	Right				MD607RS			
K100 RS	Left 1989-1992	FA407*		FA407HH*★	MD607LS			
	Right				MD607RS			
K100 RT	Left 1983-1988	FA018*	FA018V*	FA018HH*	MD604LS			
	Right				MD604RS			
K100 RT	Left 1983-1988	FA018*	FA018V*	FA018HH*	MD603LS			
	Right				MD603RS			
K100 RT	Left 1988-1989	FA171*	FA171V*	FA171HH*	MD604LS			
	Right				MD604RS			
K100 RT	Left 1988-1989	FA171*	FA171V*	FA171HH*	MD603LS			
	Right				MD603RS			
R100 7 T	1977-1980	FA022	FA022V		MD602LS			
R100 7 T	Left 1977-1980	FA022*	FA022V*		MD602LS			
	Right				MD602RS			

Line #
1
2
3
4
5
6
7
8
9
10
11
12
13
14
15
16
17
18
19
20
21
22
23
24
25
26
27
28
29
30
31
32
33
34
35
36
37
38
39
40
41
42
43
44
45
46
47
48
49
50
51
52
53
54
55
56
57
58
59
60

R Suffix = High Durability Sintered Pad. HH Suffix = High Performance Sintered Pad. TT Suffix = Hard Wearing Off Road Pad. V Suffix = Semi Sintered Pad. G Suffix = Grooved Shoe.
D Suffix = Drilled Disc. X Suffix = Universal Left or Right Disc. XC Suffix = Contoured Disc. LS Suffix = Left/Steel Disc. RS = Right/Steel Disc.

*-2 Sets Required. † For Vee disc colours add RED, BLU, GRN, GLD, ORG suffix to part number.

⊗ - Also available as a Vintage Motorcycle Disc. ★ - EPFA available. ⚙ Disc made of Billet steel. ♦ CE solid discs for Enduro use.

Non-JAPANESE Built Motorcycles

**BRAKE
APPLICATIONS**

Line #	BRAKE DISC CHOICES - FRONT			DISC PAD CHOICES - REAR				BRAKE DISC CHOICES - REAR					
	SMX Oversize 320mm Disc Kit Front Left	Front disc bolt kit	Front Brake Line	FA, SFA, TT Pad or Brake Shoe	SFAC Carbon Scooter Pads	Speciality Pads - SXR / Vee / MXS	Sintered HH/R Pads/ Grooved Shoes	Standard Replacement Disc	Contour Disc Rear Fitment	Vee Discs CONTOUR	CX Extreme MX Race Disc / UTVX Disc	Rear disc bolt kit	Rear Brake Line
1				859									
2			BLM8087-1F	861									
3				859									
4													
5				859									
6				860									
7				860									
8													
9				861									
10				861									
11													
12				859									
13													
14				861									
15				861									BLM8089-1R
16													
17				859									
18													
19				861									
20				861									
21													
22			BLM8091-1F	861									
23				860									
24													
25				861									
26													
27				860									
28													
29													
30				FA018		FA018V	FA018HH	MD611					
31													
32				FA018		FA018V	FA018HH	MD661					
33													
34				FA018		FA018V	FA018HH	MD611					
35													
36				FA018		FA018V	FA018HH	MD661					
37													
38				FA018		FA018V	FA018HH	MD611					
39													
40				FA018		FA018V	FA018HH	MD661					
41													
42				FA018		FA018V	FA018HH	MD611					
43													
44				FA018		FA018V	FA018HH	MD661					
45													
46				FA018		FA018V	FA018HH	MD611					
47													
48				FA018		FA018V	FA018HH	MD661					
49													
50				FA018		FA018V	FA018HH	MD611					
51													
52				FA018		FA018V	FA018HH	MD661					
53													
54				FA018		FA018V	FA018HH	MD661					
55													
56				FA018		FA018V	FA018HH	MD661					
57				860									
58				860									
59													
60													

REAR / ARRIÈRE / HINTEN / POSTERIOR / POSTERIORE

R Suffix = High Durability Sintered Pad. **HH** Suffix = High Performance Sintered Pad. **TT** Suffix = Hard Wearing Off Road Pad. **V** Suffix = Semi Sintered Pad. **G** Suffix = Grooved Shoe.
D Suffix = Drilled Disc. **X** Suffix = Universal Left or Right Disc. **XC** Suffix = Contoured Disc. **LS** Suffix = Left/Steel Disc. **RS** = Right/Steel Disc.

*-2 Sets Required. † For Vee disc colours add RED, BLU, GRN, GLD, ORG suffix to part number.

⊙ - Also available as a Vintage Motorcycle Disc. ★ - EPFA available. ⚙ Disc made of Billet steel. ♦ CE solid discs for Enduro use.

Part numbers, prefixes, suffixes, photos and illustrations shown in this catalogue are trademarks and/or copyrights of EBC Brakes or the trademark owner A C Freeman Investments Ltd and use without express written permission of the owners is punishable by law.

Non-JAPANESE Built Motorcycles



BMW Contd.



DISC PAD CHOICES - FRONT

BRAKE DISC CHOICES - FRONT

FRONT / AVANT / VORN / FRENTE / ANTERIORE

Model	Left	Right	FA, SFA, TT Pad or Brake Shoe	SFAC Carbon Scooter Pads	Speciality Pads - SXR / Vee / MXS	Sintered/ HH Pads/ Grooved Shoes	Standard Replacement Discs	Contour Disc Universal Left and Right	Vee-Discs Black † See note below	CX Extreme Disc / UTVX Disc	OSX Oversize 250mm or 280mm	Line #
R100 7 T	Left	1980-1984	FA018*		FA018V*	FA018HH*	MD606LS					1
	Right						MD606RS					2
R100 7 T	Left	1980-1984	FA018*		FA018V*	FA018HH*	MD602LS					3
	Right						MD602RS					4
R100 GS		1986-1994	FA077		FA077V		MD605RS					5
R100 Mystic	Left	1993-1996	FA407*			FA407HH*★	MD605LS					6
	Right						MD605RS					7
R100 PD		1989-1996	FA077		FA077V		MD605RS					8
R100 R		1976-1977	FA022		FA022V		MD602LS					9
R100 R	Left	1976-1977	FA022*		FA022V*		MD602LS					10
	Right						MD602RS					11
R100 R	Left	1991-1995	FA407*			FA407HH*★	MD605LS					12
	Right						MD605RS					13
R100 RS	Left	1976-1980	FA022*		FA022V*		MD602LS					14
	Right						MD602RS					15
R100 RS	Left	1986-1988	FA018*		FA018V*	FA018HH*	MD605LS					16
	Right						MD605RS					17
R100 RS	Left	1988-1989	FA171*		FA171V*	FA171HH*	MD605LS					18
	Right						MD605RS					19
R100 RS	Left	1990-1992	FA171*		FA171V*	FA171HH*	MD605LS					20
	Right						MD605RS					21
R100 RS 9E	Left	1980-1984	FA018*		FA018V*	FA018HH*	MD602LS					22
	Right						MD602RS					23
R100 RT 1978-Sept 1980	Left	1978-1980	FA022*		FA022V*		MD602LS					24
	Right						MD602RS					25
R100 RT 1987-Aug. 1988	Left	1987-1988	FA018*		FA018V*	FA018HH*	MD605LS					26
	Right						MD605RS					27
R100 RT Oct. 1980-1984	Left	1980-1984	FA018*		FA018V*	FA018HH*	MD602LS					28
	Right						MD602RS					29
R100 RT Sept. 1988-Aug. 1989	Left	1988-1989	FA171*		FA171V*	FA171HH*	MD605LS					30
	Right						MD605RS					31
R100 RT Sept. 1989-1995	Left	1989-1995	FA171*		FA171V*	FA171HH*	MD605LS					32
	Right						MD605RS					33
R100 S R	Left	1976-1980	FA022*		FA022V*		MD602LS					34
	Right						MD602RS					35
C1 125		1999-2003	SFA209/2			SFA209/2HH	MD968D		VR968			36
C1 200		2001-2003	SFA209/2			SFA209/2HH	MD968D		VR968			37
G 310 GS		2017-2024	FA606			FA606HH★	MD881					38
G 310 GS Edition 40		2020-2021	FA606			FA606HH★	MD881					39
G 310 R		2017-2024	FA606			FA606HH★	MD881					40
C 400 GT		2018-2023	FA606			FA606HH★	MD671*					41
C 400 X		2018-2023	FA606			FA606HH★	MD671*					42
G 450 X		2008-2011	FA181TT		MXS181	FA181R		MD6343C			OSX6343	43
R45 45 N		1978-1980	FA057		FA057V		MD606LS					44
R45 45 N	Left	1978-1980	FA057*		FA057V*		MD606LS					45
	Right						MD606RS					46
R45 45 N		1978-1980	FA018			FA018HH	MD606LS					47
R45 45 N	Left	1978-1980	FA018*		FA018V*	FA018HH*	MD606LS					48
	Right						MD606RS					49
R45 45 N		1980-1985	FA057		FA057V		MD606LS					50
R45 45 N	Left	1980-1985	FA057*		FA057V*		MD606LS					51
	Right						MD606RS					52
R45 45 N		1980-1985	FA018*		FA018V*	FA018HH*	MD606LS					53
R45 45 N	Left	1980-1985	FA018*		FA018V*	FA018HH*	MD606LS					54
	Right						MD606RS					55
R45 T		1980-1985	FA057		FA057V		MD606LS					56
C 600 Sport Highline Scooter		2013-2015	SFA142*	SFAC142*		SFA142HH*	MD9182D*					57
C 600 Sport Scooter		2012-2015	SFA142*	SFAC142*		SFA142HH*	MD9182D*					58
R60/7 R		1976-1980	FA022				MD602LS					59
												60

*-2 Sets Required. † For Vee disc colours add RED, BLU, GRN, GLD, ORG suffix to part number.

⊗ - Also available as a Vintage Motorcycle Disc. ★ - EPFA available. ⚙ - Disc made of Billet steel. ♦ - CE solid discs for Enduro use.

Non-JAPANESE Built Motorcycles

Line #	BRAKE DISC CHOICES - FRONT			DISC PAD CHOICES - REAR				BRAKE DISC CHOICES - REAR					
	SMX Oversize 320mm Disc Kit Front Left	Front disc bolt kit	Front Brake Line	FA, SFA, TT Pad or Brake Shoe	SFAC Carbon Scooter Pads	Speciality Pads - SXR / Vee / MXS	Sintered HH/R Pads/ Grooved Shoes	Standard Replacement Disc	Contour Disc Rear Fitment	Vee Discs CONTOUR	CX Extreme MX Race Disc / UTVX Disc	Rear disc bolt kit	Rear Brake Line
1				861									
2													
3													
4				861									
5				859									
6				859									
7													
8				859									
9				860									
10				860									
11													
12				859									
13													
14				860									
15													
16				861									
17													
18				861									
19													
20				859									
21													
22				FA018		FA018V	FA018HH	MD602LS					
23													
24				860									
25													
26				861									
27													
28				FA018		FA018V	FA018HH	MD602LS					
29													
30				861									
31													
32				859									
33													
34				860									
35													
36				SFA213			SFA213HH	MD968D		VR968			
37				SFA213			SFA213HH	MD968D		VR968			
38				FA213			FA213HH★	MD882					
39				FA213			FA213HH★	MD882					
40				FA213			FA213HH★	MD882					
41				FA213			FA213HH★	MD671					
42				FA213			FA213HH★	MD671					
43	SMX6343			FA368TT		MXS368	FA368R	MD6342D	MD6342C				
44				860									
45													
46				860									
47				860									
48													
49				860									
50				861									
51													
52				861									
53				861									
54													
55				861									
56				861									
57				SFA196	SFAC196		SFA196HH	MD9182D					
58				SFA196	SFAC196		SFA196HH	MD9182D					
59				860									
60													

REAR / ARRIÈRE / HINTEN / POSTERIOR / POSTERIORE

R Suffix = High Durability Sintered Pad. **HH** Suffix = High Performance Sintered Pad. **TT** Suffix = Hard Wearing Off Road Pad. **V** Suffix = Semi Sintered Pad. **G** Suffix = Grooved Shoe.
D Suffix = Drilled Disc. **X** Suffix = Universal Left or Right Disc. **XC** Suffix = Contoured Disc. **LS** Suffix = Left/Steel Disc. **RS** = Right/Steel Disc.

BRAKE APPLICATIONS

*-2 Sets Required. † For Vee disc colours add RED, BLU, GRN, GLD, ORG suffix to part number.

⊙ - Also available as a Vintage Motorcycle Disc. ★ - EPFA available. ⚙ Disc made of Billet steel. ♦ CE solid discs for Enduro use.

Part numbers, prefixes, suffixes, photos and illustrations shown in this catalogue are trademarks and/or copyrights of EBC Brakes or the trademark owner A C Freeman Investments Ltd and use without express written permission of the owners is punishable by law.

Non-JAPANESE Built Motorcycles



BMW Contd.



		DISC PAD CHOICES - FRONT				BRAKE DISC CHOICES - FRONT					
		FA, SFA, TT Pad or Brake Shoe	SFAC Carbon Scooter Pads	Speciality Pads - SXR / Vee / MXS	Sintered/HH Pads/ Grooved Shoes	Standard Replacement Discs	Contour Disc Universal Left and Right	Vee-Discs Black † See note below	CX Extreme Disc / UTVX Disc	OSX Oversize 250mm or 280mm	Line #
R60/7 R	Left	FA022*				MD602LS					1
	Right					MD602RS					2
C 650 GT Highline Scooter	2013-2018	SFA142*	SFAC142*		SFA142HH*	MD9182D*					3
C 650 GT Scooter	2012-2020	SFA142*	SFAC142*		SFA142HH*	MD9182D*					4
C 650 Sport Scooter	2016-2020	SFA142*	SFAC142*		SFA142HH*	MD9182D*					5
F 650 CS/Scarver K14/0174/0184	2000-2003	FA209/2			FA209/2HH★	MD834					6
F 650 CS/Scarver K14/0177/0187	2004-2007	FA209/2			FA209/2HH★	MD834					7
F 650 E169/0161/Standard	1993-1996	FA209/2			FA209/2HH★	MD650					8
F 650 E169/0162/Funduro/High Screen	1997-2000	FA209/2			FA209/2HH★	MD650					9
F 650 GS 30 Years/798cc	2011	FA209/2			FA209/2HH★	MD834					10
F 650 GS Dakar R13/0173/0183	1999-2003	FA209/2			FA209/2HH★	MD834					11
F 650 GS Dakar R13/0176/0186	2004-2007	FA209/2			FA209/2HH★	MD834					12
F 650 GS K72/0218/0228/798cc	2007-2012	FA209/2			FA209/2HH★	MD834X*					13
F 650 GS R13/0172/0182	1999-2003	FA209/2			FA209/2HH★	MD834					14
F 650 GS R13/0175/0185	2004-2007	FA209/2			FA209/2HH★	MD834					15
F 650 ST E169/0163/0168/Strada/Low Screen	1997-2000	FA209/2			FA209/2HH★	MD650					16
G 650 GS R131	2009-2015	FA209/2			FA209/2HH★	MD834					17
G 650 GS Sertao	2012-2014	FA209/2		FA209/2V	FA209/2HH★	MD834X					18
G 650 Xchallenge	2007-2009	FA209/2		FA209/2V	FA209/2HH★	MD809	MD809C				19
G 650 Xcountry	2007-2009	FA209/2		FA209/2V	FA209/2HH★	MD809	MD809C				20
G 650 Xmoto	2007-2009	FA244			FA244HH★	MD621X	MD621XC	VR621BLK†			21
F 700 GS	2013-2018	FA209/2*		FA209/2V*	FA209/2HH*★	MD834X*					22
F 750 GS Edition 40	2020-2022	FA209/2*		FA209/2V*	FA209/2HH*★	MD687*					23
F 750 GS K80	2016-2023	FA209/2*		FA209/2V*	FA209/2HH*★	MD687*					24
F 800 GS	2008-2018	FA209/2*		FA209/2V*	FA209/2HH*★	MD834X*					25
F 800 GS New	2023-2024	FA209/2*		FA209/2V*	FA209/2HH*★	MD834X*					26
F 800 GS 30 Years	2011	FA209/2*		FA209/2V*	FA209/2HH*★	MD834X*					27
F 800 GS Adventure	2012-2018	FA209/2*		FA209/2V*	FA209/2HH*★	MD834X*					28
F 800 GS Triple Black	2012	FA209/2*		FA209/2V*	FA209/2HH*★	MD834X*					29
F 800 GS Trophy	2012-2018	FA209/2*		FA209/2V*	FA209/2HH*★	MD834X*					30
F 800 GT	2013-2020	FA244*		FA244V*	FA244HH*★	MD804*					31
F 800 R	2009-2013	FA244*		FA244V*	FA244HH*★	MD804*					32
F 800 R Chris Pfeiffer Edition	2009-2011	FA244*		FA244V*	FA244HH*★	MD804*					33
F 800 R K73	2014-2020				FA630HH*★	MD804*					34
F 800 R Sport K73	2015				FA630HH*★	MD804*					35
F 800 S Half Fairing	2006-2008	FA244*		FA244V*	FA244HH*★	MD803*					36
F 800 S Half Fairing	2008-2017	FA244*		FA244V*	FA244HH*★	MD804*					37
F 800 ST Full Fairing	2006-2008	FA244*		FA244V*	FA244HH*★	MD803*					38
F 800 ST Full Fairing	2008-2012	FA244*		FA244V*	FA244HH*★	MD804*					39
F 800 ST Touring	2010-2017	FA244*		FA244V*	FA244HH*★	MD804*					40
F 850 GS Adventure - Edition 40	2020-2022	FA209/2*		FA209/2V*	FA209/2HH*★	MD687*					41
F 850 GS Adventure K82	2018-2023	FA209/2*		FA209/2V*	FA209/2HH*★	MD687*					42
F 850 GS Edition 40	2020-2022	FA209/2*		FA209/2V*	FA209/2HH*★	MD687*					43
F 850 GS K81	2017-2023	FA209/2*		FA209/2V*	FA209/2HH*★	MD687*					44
R850 C	1997-2000	FA407*			FA407HH*★	MD652*	MD652C*				45
R850 C	1997-2000	FA407*			FA407HH*★	MD652*	MD652C*				46
R850 GS	1996	FA077		FA077V		MD605RS					47
R850 GS	1996-2000	FA407*			FA407HH*★	MD652*	MD652C*				48
R850 R	Left	FA407*			FA407HH*★	MD607LS					49
	Right					MD607RS					50
R850 R	1994-1996	FA407*			FA407HH*★	MD652*	MD652C*				51
R850 R	2004-2006				FA294HH*★	MD616*					52
R850 RT	Left	FA407*			FA407HH*★	MD607LS					53
	Right					MD607RS					54
R850 RT	1996-2001	FA407*			FA407HH*★	MD652*	MD652C*				55
R850 RT	2006				FA335HH*★	MD620*					56
F 900 GS	2023-2024	FA209/2*			FA209/2HH*★	MD687*					57
F 900 GS Adventure	2023-2024	FA209/2*			FA209/2HH*★	MD687*					58
F 900 R R K83	2020-2023				FA630HH*★	MD804*					59
F 900 XR XR K84	2020-2023				FA630HH*★	MD804*					60

FRONT / AVANT / VORN / FREITE / ANTERIORE

R Suffix = High Durability Sintered Pad. HH Suffix = High Performance Sintered Pad. TT Suffix = Hard Wearing Off Road Pad. V Suffix = Semi Sintered Pad. G Suffix = Grooved Shoe.
D Suffix = Drilled Disc. X Suffix = Universal Left or Right Disc. XC Suffix = Contoured Disc. LS Suffix = Left/Steel Disc. RS = Right/Steel Disc.

*-2 Sets Required. † For Vee disc colours add RED, BLU, GRN, GLD, ORG suffix to part number.

⊗ - Also available as a Vintage Motorcycle Disc. ★ - EPFA available. ⚙ Disc made of Billet steel. ♦ CE solid discs for Enduro use.

Non-JAPANESE Built Motorcycles

BRAKE APPLICATIONS

Line #	BRAKE DISC CHOICES - FRONT			DISC PAD CHOICES - REAR				BRAKE DISC CHOICES - REAR					
	SMX Oversize 320mm Disc Kit Front Left	Front disc bolt kit	Front Brake Line	FA, SFA, TT Pad or Brake Shoe	SFAC Carbon Scooter Pads	Speciality Pads - SXR / Vee / MXS	Sintered HH/R Pads/ Grooved Shoes	Standard Replacement Disc	Contour Disc Rear Fitment	Vee Discs CONTOUR	CX Extreme MX Race Disc / UTVX Disc	Rear disc bolt kit	Rear Brake Line
1				860									
2													
3				SFA196	SFAC196		SFA196HH	MD9182D					
4				SFA196	SFAC196		SFA196HH	MD9182D					
5				SFA196	SFAC196		SFA196HH	MD9182D					
6				FA213			FA213HH★	MD651					
7				FA213			FA213HH★	MD651					
8				FA213			FA213HH★	MD651					
9			BLM8025-1F	FA213			FA213HH★	MD651					
10				FA213			FA213HH★	MD671					
11				FA213			FA213HH★	MD651					
12			BLM8026-1F	FA213			FA213HH★	MD651					
13				FA213			FA213HH★	MD671					
14				FA213			FA213HH★	MD651					
15				FA213			FA213HH★	MD651					
16				FA213			FA213HH★	MD651					
17				FA213			FA213HH★	MD651					
18				FA213			FA213HH★	MD651					
19		DB604/6		FA213			FA213HH★	MD810	MD810C				
20		DB604/6		FA213			FA213HH★	MD810	MD810C				
21		DB604/6		FA213			FA213HH★	MD845					
22				FA213			FA213HH★	MD671					
23		DB602/5		FA213			FA213HH★	MD671					
24		DB601/5		FA213			FA213HH★	MD671					
25				FA213			FA213HH★	MD671					
26				FA213			FA213HH★	MD671					
27				FA213			FA213HH★	MD671					
28				FA213			FA213HH★	MD671					
29				FA213			FA213HH★	MD671					
30				FA213			FA213HH★	MD671					
31		DB602/5		FA213			FA213HH★	MD671					
32		DB602/5		FA213			FA213HH★	MD671					
33		DB602/5		FA213			FA213HH★	MD671					
34		DB602/5		FA213			FA213HH★	MD671					
35		DB602/5		FA213			FA213HH★	MD671					
36		DB601/5		FA213			FA213HH★	MD671					
37		DB602/5		FA213			FA213HH★	MD671					
38		DB601/5		FA213			FA213HH★	MD671					
39		DB602/5		FA213			FA213HH★	MD671					
40		DB602/5		FA213			FA213HH★	MD671					
41		DB601/5		FA213			FA213HH★	MD671					
42		DB601/5		FA213			FA213HH★	MD671					
43		DB601/5		FA213			FA213HH★	MD671					
44		DB601/5		FA213			FA213HH★	MD671					
45		DB601/5		FA363		FA363V	FA363HH						
46		DB601/5		FA363		FA363V	FA363HH						
47				859									
48				FA363		FA363V	FA363HH	MD653	MD653C				
49		DB601/5											
50				FA363		FA363V	FA363HH	MD653					
51		DB601/5		FA363		FA363V	FA363HH	MD653	MD653C				
52		DB601/5		FA363		FA363V	FA363HH	MD653					
53		DB601/5											
54				FA363		FA363V	FA363HH	MD653					
55		DB601/5		FA363		FA363V	FA363HH	MD653	MD653C				
56		DB601/5		FA363		FA363V	FA363HH	MD653					
57		DB601/5					FA213HH★	MD671					
58		DB601/5					FA213HH★	MD671					
59		DB602/5		FA213			FA213HH★	TBC					
60		DB602/5		FA213			FA213HH★	TBC					

REAR / ARRIÈRE / HINTEN / POSTERIOR / POSTERIORE

R Suffix = High Durability Sintered Pad. HH Suffix = High Performance Sintered Pad. TT Suffix = Hard Wearing Off Road Pad. V Suffix = Semi Sintered Pad. G Suffix = Grooved Shoe.
D Suffix = Drilled Disc. X Suffix = Universal Left or Right Disc. XC Suffix = Contoured Disc. LS Suffix = Left/Steel Disc. RS = Right/Steel Disc.

*-2 Sets Required. † For Vee disc colours add RED, BLU, GRN, GLD, ORG suffix to part number.

⊙ - Also available as a Vintage Motorcycle Disc. ★ - EPFA available. ⚙ Disc made of Billet steel. ♦ CE solid discs for Enduro use.

Part numbers, prefixes, suffixes, photos and illustrations shown in this catalogue are trademarks and/or copyrights of EBC Brakes or the trademark owner A C Freeman Investments Ltd and use without express written permission of the owners is punishable by law.

Non-JAPANESE Built Motorcycles



BMW Contd.



DISC PAD CHOICES - FRONT

BRAKE DISC CHOICES - FRONT

FRONT / AVANT / VORN / FRENTE / ANTERIORE

FA, SFA, TT Pad or Brake Shoe	SFAC Carbon Scooter Pads	Speciality Pads - SXR / Vee / MXS	Sintered/HH Pads/ Grooved Shoes	Standard Replacement Discs	Contour Disc Universal Left and Right	Vee-Discs Black † See note below	CX Extreme Disc / UTVX Disc	OSX Oversize 250mm or 280mm
R90/6 R				MD602LS				
R90/6 R	Left			MD602LS				
	Right			MD602RS				
HP4			FA447HH*★	MD862X*				
HP4 Carbon			FA447HH*★	MD862X*				
HP4 Race			FA447HH*★					
K1	Left	FA018*	FA018V*	FA018HH*	MD604LS			
	Right				MD604RS			
K1	Left	FA047*		FA407HH*★	MD607LS			
	Right				MD607RS			
K1	Left	FA047*		FA407HH*★	MD607LS			
	Right				MD607RS			
M 1000 R			FA757HH*★	MD8017X*				
M 1000 RR			FA757HH*★	MD8017X*				
M 1000 XR			FA757HH*★	MD862X*				
S 1000 R			FA724HH*★					
S 1000 R			FA630HH*★	MD804*				
S 1000 R K47			FA604/4HH*★	MD804*				
S 1000 R/RR			FA604/4HH*★	MD862X*				
S 1000 RR / RR Sport K67			FA724HH*★					
S 1000 RR / RR Sport K67			FA757HH*★	MD8017X*				
S 1000 RR HP4 Race K60								
S 1000 RR K46			FA604/4HH*★	MD804*				
S 1000 XR K49			FA630HH*★	MD804*				
S 1000 XR K69			FA724HH*★	MD804*				
K100/2	Left	FA018*	FA018V*	FA018HH*	MD604LS			
	Right				MD604RS			
K100/2	Left	FA018*	FA018V*	FA018HH*	MD603LS			
	Right				MD603RS			
K100/2	Left	FA171*	FA171V*	FA171HH*	MD604LS			
	Right				MD604RS			
K100/2	Left	FA171*	FA171V*	FA171HH*	MD603LS			
	Right				MD603RS			
K1100 LT	Left	FA047*		FA407HH*★	MD607LS			
	Right				MD607RS			
K1100 LT	Left	FA047*		FA407HH*★	MD607LS			
	Right				MD607RS			
K1100 LT	Left	FA047*		FA407HH*★	MD607LS			
	Right				MD607RS			
K1100 LT	Left	FA047*		FA407HH*★	MD607LS			
	Right				MD607RS			
K1100 RS	Left	FA047*		FA407HH*★	MD607LS			
	Right				MD607RS			
K1100 RS	Left	FA047*		FA407HH*★	MD607LS			
	Right				MD607RS			
K1100 RS		FA047*		FA407HH*★	MD652*	MD652C*		
R1100 GS		FA047*		FA407HH*★	MD652*	MD652C*		
R1100 R		FA047*		FA407HH*★	MD652*	MD652C*		
R1100 R	Left	FA047*		FA407HH*★	MD607LS			
	Right				MD607RS			
R1100 R		FA047*		FA407HH*★	MD652*	MD652C*		
R1100 RS	Left	FA047*		FA407HH*★	MD607LS			
	Right				MD607RS			
R1100 RT	Left	FA047*		FA407HH*★	MD607LS			
	Right				MD607RS			
R1100 RT		FA047*		FA407HH*★	MD652*	MD652C*		
R1100 S 1996-Nov. 2000		FA047*		FA407HH*★	MD652*	MD652C*		
R1100 S Dec. 2000-2003				FA335HH*★	MD803*			
R1100 S Dec. 2000-2006				FA294HH*★	MD616*			
R1150 GS Adventure Evo R21A 0441/0492				FA335HH*★	MD652*	MD652C*		

Line #
1
2
3
4
5
6
7
8
9
10
11
12
13
14
15
16
17
18
19
20
21
22
23
24
25
26
27
28
29
30
31
32
33
34
35
36
37
38
39
40
41
42
43
44
45
46
47
48
49
50
51
52
53
54
55
56
57
58
59
60

R Suffix = High Durability Sintered Pad. HH Suffix = High Performance Sintered Pad. TT Suffix = Hard Wearing Off Road Pad. V Suffix = Semi Sintered Pad. G Suffix = Grooved Shoe.
D Suffix = Drilled Disc. X Suffix = Universal Left or Right Disc. XC Suffix = Contoured Disc. LS Suffix = Left/Steel Disc. RS = Right/Steel Disc.

*-2 Sets Required. † For Vee disc colours add RED, BLU, GRN, GLD, ORG suffix to part number.

⊗ - Also available as a Vintage Motorcycle Disc. ★ - EPFA available. ⚙ Disc made of Billet steel. ♦ CE solid discs for Enduro use.

Non-JAPANESE Built Motorcycles

Line #	BRAKE DISC CHOICES - FRONT			DISC PAD CHOICES - REAR				BRAKE DISC CHOICES - REAR					
	SMX Oversize 320mm Disc Kit Front Left	Front disc bolt kit	Front Brake Line	FA, SFA, TT Pad or Brake Shoe	SFAC Carbon Scooter Pads	Speciality Pads - SXR / Vee / MXS	Sintered HH/R Pads/ Grooved Shoes	Standard Replacement Disc	Contour Disc Rear Fitment	Vee Discs CONTOUR	CX Extreme MX Race Disc / UTVX Disc	Rear disc bolt kit	Rear Brake Line
1				860									
2				860									
3													
4				FA213			FA213HH★	MD832					
5				FA213			FA213HH★	MD832					
6				FA213			FA213HH★						
7													
8				FA018		FA018V	FA018HH	MD611					
9													
10				FA018		FA018V	FA018HH	MD611					
11													
12				FA018		FA018V	FA018HH	MD661					
13							FA213HH★	MD832					
14							FA254HH★	MD832					
15							FA363HH	MD8022					
16				FA213			FA213HH★	MD832					
17		DB602/5		FA213			FA213HH★	MD832					
18		DB602/5		FA213			FA213HH★	MD832					
19				FA213			FA213HH★	MD832					
20				FA213			FA213HH★	MD832					
21				FA213			FA213HH★	MD832					
22							FA254HH★						
23		DB602/5		FA213			FA213HH★	MD832					
24		DB602/5					FA363HH	MD671					
25		DB602/5					FA363HH	MD8022					
26		DB601/6											
27				FA018		FA018V	FA018HH	MD611					
28													
29				FA018		FA018V	FA018HH	MD661					
30													
31				FA018		FA018V	FA018HH	MD611					
32													
33				FA018		FA018V	FA018HH	MD661					
34		DB601/6											
35				FA018		FA018V	FA018HH	MD611					
36		DB601/6											BLM8031-2R
37		DB601/6		FA018		FA018V	FA018HH	MD661					
38		DB601/6											
39				FA018		FA018V	FA018HH	MD661					
40		DB601/6											
41				FA018		FA018V	FA018HH	MD661					
42		DB601/6											
43				FA018		FA018V	FA018HH	MD661					
44		DB601/6											
45				FA018		FA018V	FA018HH	MD661					
46		DB601/6		FA018		FA018V	FA018HH	MD661					
47				FA363		FA363V	FA363HH	MD653	MD653C				
48		DB601/6		FA363		FA363V	FA363HH	MD653	MD653C				
49		DB601/6											
50				FA363		FA363V	FA363HH	MD653					
51		DB601/6		FA363		FA363V	FA363HH	MD653	MD653C				
52		DB601/6											
53				FA018		FA018V	FA018HH	MD661					
54													
55				FA363		FA363V	FA363HH	MD653					
56				FA363		FA363V	FA363HH	MD653	MD653C				
57		DB601/5		FA363		FA363V	FA363HH	MD653	MD653C				
58				FA363		FA363V	FA363HH	MD653					
59		DB601/5		FA363		FA363V	FA363HH	MD653					
60				FA363			FA363HH	MD653	MD653C				

REAR / ARRIÈRE / HINTEN / POSTERIOR / POSTERIORE

R Suffix = High Durability Sintered Pad. HH Suffix = High Performance Sintered Pad. TT Suffix = Hard Wearing Off Road Pad. V Suffix = Semi Sintered Pad. G Suffix = Grooved Shoe.
D Suffix = Drilled Disc. X Suffix = Universal Left or Right Disc. XC Suffix = Contoured Disc. LS Suffix = Left/Steel Disc. RS = Right/Steel Disc.

*-2 Sets Required. † For Vee disc colours add RED, BLU, GRN, GLD, ORG suffix to part number.

⊙ - Also available as a Vintage Motorcycle Disc. ★ - EPFA available. ⚙ Disc made of Billet steel. ♦ CE solid discs for Enduro use.

Part numbers, prefixes, suffixes, photos and illustrations shown in this catalogue are trademarks and/or copyrights of EBC Brakes or the trademark owner A C Freeman Investments Ltd and use without express written permission of the owners is punishable by law.

Non-JAPANESE Built Motorcycles



BMW Contd.



R Suffix = High Durability Sintered Pad. **HH** Suffix = High Performance Sintered Pad. **TT** Suffix = Hard Wearing Off Road Pad. **V** Suffix = Semi Sintered Pad. **G** Suffix = Grooved Shoe.

D Suffix = Drilled Disc. **X** Suffix = Universal Left or Right Disc. **XC** Suffix = Contoured Disc. **LS** Suffix = Left/Steel Disc. **RS** = Right/Steel Disc.

		DISC PAD CHOICES - FRONT			BRAKE DISC CHOICES - FRONT						
		FA, SFA, TT Pad or Brake Shoe	SFAC Carbon Scooter Pads	Speciality Pads - SXR / Vee / MXS	Sintered/HH Pads/ Grooved Shoes	Standard Replacement Discs	Contour Disc Universal Left and Right	Vee-Discs Black † See note below	CX Extreme Disc / UTVX Disc	OSX Oversize 250mm or 280mm	Line #
	R1150 GS Adventure Evo R21A 0441/0492	2001-2006			FA294HH*★	MD652*	MD652C*				1
	R1150 GS R21 Evo/0415/0495	1998-2001			FA407HH*★	MD652*	MD652C*				2
	R1150 GS R21 Evo/0415/0495	2001-2003			FA335HH*★	MD652*	MD652C*				3
	R1150 R	2001-2006			FA294HH*★	MD616*					4
	R1150 R Rockster	2003-2006			FA294HH*★	MD616*					5
	R1150 R Rockster Edition 80	2004			FA294HH*★	MD616*					6
	R1150 RS AE	2001-2004			FA294HH*★	MD616*					7
	R1150 RT AE	2000-2006			FA335HH*★	MD620*					8
	R Nine T /5 K21/1170cc	2020-2021			FA244HH*★	MD804*					9
	R Nine T Café Racer K32/1170cc	2016-2020			FA244HH*★	MD804*					10
	R Nine T K21/1170cc	2014-2022			FA630HH*★	MD804*					11
	R Nine T Pure K22/1170cc	2016-2023			FA244HH*★	MD804*					12
	R Nine T Scrambler K21/1170cc	2016-2023			FA244HH*★	MD804*					13
	R Nine T Urban GS K33/1170cc	2017-2023			FA244HH*★	MD804*					14
	R12 Cruiser	2024			FA630HH*★	MD804*					15
	R12 Nine T	2024			FA630HH*★	MD804*					16
	HP2 Enduro	2005-2009	FA209/2	FA209/2V	FA209/2HH*★	MD687					17
	HP2 Megamoto	2007-2010			FA335HH*★	MD804*					18
	HP2 Sport	2008-2011			FA447HH*★	MD804*					19
	K1200 GT 2 pin rear pad K41	2003-2006			FA335HH*★	MD620*					20
	K1200 GT K44	2006-2008	Left		FA335HH*★	MD804*					21
			Right		FA441HH						22
	K1200 LT	1997-2000			FA407HH*★	MD652*	MD652C*				23
	K1200 LT	2000-2007			FA294HH*★	MD616*					24
	K1200 LT	2008-2009			FA294HH*★						25
	K1200 R Tokico Caliper	2005-2007			FA294HH*★	MD616*					26
	K1200 R Sport K43	2007-2010			FA294HH*★	MD616*					27
	K1200 RS K589	2001-2004			FA335HH*★	MD620*					28
	K1200 S K40	2005-2008			FA335HH*★	MD620*					29
	R1200 C Classic	2003-2004			FA294HH*★	MD652*	MD652C*				30
	R1200 C HE	1996-2002			FA407HH*★	MD652*	MD652C*				31
	R1200 C Independent	2003-2004			FA294HH*★	MD652*	MD652C*				32
	R1200 C Montauk	2004			FA294HH*★	MD652*	MD652C*				33
	R1200 C WE	1996-2002			FA407HH*★	MD652*	MD652C*				34
	R1200 CL	2002-2004			FA294HH*★	MD652*	MD652C*				35
	R1200 GS 30 Years	2011			FA335HH*★	MD687*					36
	R1200 GS Adventure Inc 90th Ann	2010-2013			FA335HH*★	MD687*					37
	R1200 GS Adventure - 30 Years	2011			FA335HH*★	MD687*					38
	R1200 GS Adventure - Triple Black	2012			FA335HH*★	MD687*					39
	R1200 GS Adventure K25/0382	2005-2007			FA335HH*★	MD687*					40
	R1200 GS Adventure K51	2014-2018			FA630HH*★	MD687*					41
	R1200 GS Adventure/M K25/0380/	2006-2009			FA335HH*★	MD687*					42
	R1200 GS HE	2010-2011			FA335HH*★	MD687*					43
	R1200 GS K25/0307	2002-2007			FA335HH*★	MD687*					44
	R1200 GS K50	2013-2018			FA630HH*★	MD687*					45
	R1200 GS M K25/0303	2006-2009			FA335HH*★	MD687*					46
	R1200 GS Rallye	2012			FA335HH*★	MD687*					47
	R1200 GS Triple Black	2011-2013			FA335HH*★	MD687*					48
	R1200 Independent	2000-2002	FA407*		FA407HH*★	MD652*	MD652C*				49
	R1200 Independent	2000-2002	FA407*		FA407HH*★	MD652*	MD652C*				50
	R1200 R 06-K27	2006-2007			FA294HH*★	MD804*					51
	R1200 R 06-K27	2007-2014			FA294HH*★	MD804*					52
	R1200 R 11-K27	2008-2014			FA335HH*★	MD804*					53
	R1200 R Classic	2011-2013			FA294HH*★	MD804*					54
	R1200 R K53	2014-2018			FA630HH*★	MD804*					55
	R1200 R SE	2010-2011			FA294HH*★	MD804*					56
	R1200 R Sport K53	2015-2018			FA630HH*★	MD804*					57
	R1200 RS K54	2015-2018			FA630HH*★	MD804*					58
	R1200 RS Sport K54	2015-2018			FA630HH*★	MD804*					59
	R1200 RT K26/0368	2005-2007			FA335HH*★	MD803*					60

FRONT / AVANT / VORN / FRENTE / ANTERIORE

*-2 Sets Required. † For Vee disc colours add RED, BLU, GRN, GLD, ORG suffix to part number.

⊗ - Also available as a Vintage Motorcycle Disc. ★ - EPFA available. ⚙ Disc made of Billet steel. ◆ CE solid discs for Enduro use.

Non-JAPANESE Built Motorcycles

Line #	BRAKE DISC CHOICES - FRONT			DISC PAD CHOICES - REAR				BRAKE DISC CHOICES - REAR					
	SMX Oversize 320mm Disc Kit Front Left	Front disc bolt kit	Front Brake Line	FA, SFA, TT Pad or Brake Shoe	SFAC Carbon Scooter Pads	Speciality Pads - SXR / Vee / MXS	Sintered HH/R Pads/ Grooved Shoes	Standard Replacement Disc	Contour Disc Rear Fitment	Vee Discs CONTOUR	CX Extreme MX Race Disc / UTVX Disc	Rear disc bolt kit	Rear Brake Line
1				FA363			FA363HH	MD653	MD653C				
2				FA363			FA363HH	MD653	MD653C				
3							FA363HH	MD653	MD653C				
4		DB601/5					FA363HH	MD653					
5		DB601/5					FA363HH	MD653					
6		DB601/5					FA363HH	MD653					
7		DB601/5					FA363HH	MD653					
8		DB601/5					FA363HH	MD653					
9		DB602/5					FA363HH	MD671					
10		DB602/5					FA363HH	MD671					
11		DB602/5					FA363HH	MD671					
12		DB602/5					FA363HH	MD671					
13		DB602/5					FA363HH	MD671					
14		DB602/5					FA363HH	MD671					
15		DB602/5					FA363HH	MD671					
16		DB602/5					FA363HH	MD671					
17		DB601/5		FA363			FA363HH	MD671					
18		DB601/5					FA363HH	MD671					
19		DB601/5					FA363HH	MD671					
20		DB601/5					FA018HH	MD661					
21		DB601/5					FA438HH	MD688					
22													
23		DB601/5					FA304HH	MD615♣					
24		DB601/5					FA304HH	MD615♣					
25		DB601/5					FA304HH	MD615♣					
26		DB601/5					FA671HH	MD671					
27		DB601/5					FA671HH	MD671					
28		DB601/5					FA018HH	MD661					
29		DB601/5					FA671HH	MD671					
30		DB601/5					FA363HH						
31		DB601/5					FA363HH						
32		DB601/5					FA363HH						
33		DB601/5					FA363HH						
34		DB601/5					FA363HH						
35		DB601/5					FA304HH	MD615♣					
36		DB602/5					FA363HH	MD671					
37		DB602/5					FA363HH	MD671					
38		DB602/5					FA363HH	MD671					
39		DB602/5					FA363HH	MD671					
40		DB601/5					FA363HH	MD671					
41		DB602/5					FA209/2HH★	MD8001					
42		DB601/5					FA363HH	MD671					
43		DB601/5					FA363HH	MD671					
44		DB601/5					FA363HH	MD671					
45		DB602/5					FA209/2HH★	MD8001					
46		DB601/5					FA363HH	MD671					
47		DB602/5					FA363HH	MD671					
48		DB602/5					FA363HH	MD671					
49				FA363			FA363HH						
50				FA363			FA363HH						
51		DB601/5					FA363HH	MD671					
52		DB601/5					FA363HH	MD671					
53		DB601/5					FA363HH	MD671					
54		DB602/5					FA363HH	MD671					
55		DB602/5					FA209/2HH★	MD8001					
56		DB602/5					FA363HH	MD671					
57		DB602/5					FA209/2HH★	MD8001					
58		DB602/5					FA209/2HH★	MD8001					
59		DB602/5					FA209/2HH★	MD8001					
60		DB601/5					FA363HH	MD671					

REAR / ARRIÈRE / HINTEN / POSTERIOR / POSTERIORE

R Suffix = High Durability Sintered Pad. **HH** Suffix = High Performance Sintered Pad. **TT** Suffix = Hard Wearing Off Road Pad. **V** Suffix = Semi Sintered Pad. **G** Suffix = Grooved Shoe.
D Suffix = Drilled Disc. **X** Suffix = Universal Left or Right Disc. **XC** Suffix = Contoured Disc. **LS** Suffix = Left/Steel Disc. **RS** = Right/Steel Disc.

BRAKE APPLICATIONS

*-2 Sets Required. † For Vee disc colours add RED, BLU, GRN, GLD, ORG suffix to part number.

♣ - Also available as a Vintage Motorcycle Disc. ★ - EPFA available. ♣ Disc made of Billet steel. ◆ CE solid discs for Enduro use.

Part numbers, prefixes, suffixes, photos and illustrations shown in this catalogue are trademarks and/or copyrights of EBC Brakes or the trademark owner A C Freeman Investments Ltd and use without express written permission of the owners is punishable by law.

Non-JAPANESE Built Motorcycles



BMW Contd.



DISC PAD CHOICES - FRONT

BRAKE DISC CHOICES - FRONT

FRONT / AVANT / VORN / FRENTE / ANTERIORE

FA, SFA, TT Pad or Brake Shoe	SFAC Carbon Scooter Pads	Speciality Pads - SXR / Vee / MXS	Sintered/HH Pads/ Grooved Shoes	Standard Replacement Discs	Contour Disc Universal Left and Right	Vee-Discs Black † See note below	CX Extreme Disc / UTVX Disc	OSX Oversize 250mm or 280mm
R1200 RT K26/0368			FA335HH*★	MD804*				
R1200 RT K52			FA335HH*★	MD804*				
R1200 RT K52			FA630HH*★	MD804*				
R1200 RT SE K52			FA335HH*★	MD804*				
R1200 S K29/0366			FA335HH*★	MD803*				
R1200 S K29/0366			FA335HH*★	MD804*				
R1200 ST K28/0328			FA335HH*★	MD803*				
R1200 ST K28/0328			FA335HH*★	MD804*				
R 1250 GS Adventure Edition 40			FA724HH*★	MD687*				
R 1250 GS Adventure K51			FA724HH*★	MD687*				
R 1250 GS Edition 40			FA724HH*★	MD687*				
R 1250 GS Exclusive TE K50			FA724HH*★	MD687*				
R 1250 GS K50			FA724HH*★	MD687*				
R 1250 GS Rallye K50			FA724HH*★	MD687*				
R 1250 GS Rallye TE K50			FA724HH*★	MD687*				
R 1250 GS TE K50			FA724HH*★	MD687*				
R 1250 R K53			FA724HH*★	MD804*				
R 1250 RS K54			FA630HH*★	MD804*				
R 1250 RT K52			FA724HH*★	MD804*				
K1300 GT			FA335HH*★	MD804*				
K1300 GT SE			FA335HH*★	MD804*				
K1300 R			FA294HH*★	MD804*				
K1300 R Carbon			FA294HH*★	MD804*				
K1300 R Dynamic			FA294HH*★	MD804*				
K1300 S HP			FA335HH*★	MD804*				
K1300 S K43 Sport			FA335HH*★	MD804*				
K1300 S SE			FA335HH*★	MD804*				
R 1300 GS			FA779HH*					
R 1300 GS Trophy			FA779HH*					
K1600 B Bagger K61			FA613HH*	MD862X*				
K1600 B Bagger K61			FA613HH*	MD616*				
K1600 B Bagger K61			FA613HH*	MD862X*				
K1600 B Grand America			FA613HH*	MD862X*				
K1600 B Grand America			FA613HH*	MD616*				
K1600 GT K48			FA613HH*	MD616*				
K1600 GT K48			FA613HH*	MD862X*				
K1600 GT SE K48			FA613HH*	MD616*				
K1600 GT Sport K48			FA613HH*	MD616*				
K1600 GTL Exclusive K48			FA613HH*	MD616*				
K1600 GTL K48			FA613HH*	MD616*				
K1600 GTL K48			FA613HH*	MD862X*				
R 18 B			FA748HH*					
R 18 Classic			FA748HH*					
R 18 R			FA748HH*					
R 18 Transcontinental			FA748HH*					
C Evolution Electric Scooter	SFA142*	SFAC142*	SFA142HH*	MD9182D*				
C Evolution Scooter Electric	SFA142*	SFAC142*	SFA142HH*					
CE 02 Electric	SFA142		SFA142					
CE 04 Electric	FA606		FA606HH*	MD671*				
BOMBARDIER/BRP								
DS 50		H346*	H346G*					
Quest 50		H346*	H346G*					
DS 90		H346*	H346G*					
Quest 90		H346*	H346G*					
Rally 200	FA083TT*		FA083R*	MD6220D*				
Rally 200	FA083TT*		FA083R*	MD6220D*				
DS 250	FA377TT*		FA377R*	MD6283D*				
Outlander 330 HO	Left FA307TT		FA307R	MD6222D*			UTVX6222*	
	Right FA317TT		FA317R					

Line #
1
2
3
4
5
6
7
8
9
10
11
12
13
14
15
16
17
18
19
20
21
22
23
24
25
26
27
28
29
30
31
32
33
34
35
36
37
38
39
40
41
42
43
44
45
46
47
48
49
50
51
52
53
54
55
56
57
58
59
60

R Suffix = High Durability Sintered Pad. HH Suffix = High Performance Sintered Pad. TT Suffix = Hard Wearing Off Road Pad. V Suffix = Semi Sintered Pad. G Suffix = Grooved Shoe.
D Suffix = Drilled Disc. X Suffix = Universal Left or Right Disc. XC Suffix = Contoured Disc. LS Suffix = Left/Steel Disc. RS = Right/Steel Disc.

*-2 Sets Required. † For Vee disc colours add RED, BLU, GRN, GLD, ORG suffix to part number.

⊗ - Also available as a Vintage Motorcycle Disc. ★ - EPFA available. ⚙ Disc made of Billet steel. ♦ CE solid discs for Enduro use.

Non-JAPANESE Built Motorcycles

Line #	BRAKE DISC CHOICES - FRONT			DISC PAD CHOICES - REAR				BRAKE DISC CHOICES - REAR					
	SMX Oversize 320mm Disc Kit Front Left	Front disc bolt kit	Front Brake Line	FA, SFA, TT Pad or Brake Shoe	SFAC Carbon Scooter Pads	Speciality Pads - SXR / Vee / MXS	Sintered HH/R Pads/ Grooved Shoes	Standard Replacement Disc	Contour Disc Rear Fitment	Vee Discs CONTOUR	CX Extreme MX Race Disc / UTVX Disc	Rear disc bolt kit	Rear Brake Line
1		DB601/5					FA363HH	MD671					
2		DB602/5					FA363HH	MD671					
3		DB602/5					FA209/2HH★	MD8001					
4		DB602/5					FA363HH	MD671					
5		DB601/5					FA363HH	MD671					
6		DB601/5					FA363HH	MD671					
7		DB601/5					FA363HH	MD671					
8		DB601/5					FA363HH	MD671					
9		DB602/5					FA209/2HH★	MD8001					
10		DB602/5					FA209/2HH★	MD8001					
11		DB602/5					FA209/2HH★	MD8001					
12		DB602/5					FA209/2HH★	MD8001					
13		DB602/5					FA209/2HH★	MD8001					
14		DB602/5					FA209/2HH★	MD8001					
15		DB602/5					FA209/2HH★	MD8001					
16		DB602/5					FA209/2HH★	MD8001					
17		DB602/5					FA209/2HH★	MD8001					
18		DB602/5					FA209/2HH★	MD8001					
19		DB602/5					FA209/2HH★	MD8001					
20		DB602/5					FA671HH	MD688					
21		DB602/5					FA671HH	MD688					
22		DB602/5					FA671HH	MD671					
23		DB602/5					FA671HH	MD671					
24		DB602/5					FA671HH	MD671					
25		DB602/5					FA671HH	MD671					
26		DB602/5					FA671HH	MD671					
27		DB602/5					FA671HH	MD671					
28							FA209/2HH★	MD8001					
29							FA209/2HH★	MD8001					
30							FA209/2HH★						
31		DB602/5					FA209/2HH★						
32							FA209/2HH★						
33							FA209/2HH★						
34		DB602/5					FA209/2HH★						
35		DB602/5					FA209/2HH★						
36							FA209/2HH★						
37		DB602/5					FA209/2HH★						
38		DB602/5					FA209/2HH★						
39		DB602/5					FA209/2HH★						
40		DB602/5					FA209/2HH★						
41							FA209/2HH★						
42							FA749HH						
43							FA749HH						
44							FA749HH						
45							FA749HH						
46				SFA196	SFAC196		SFA196HH	MD9182D					
47				SFA196			SFA196HH						
48													
49				FA213			FA213HH★	MD671					
50													
51													
52				H330			H330G						
53				H330			H330G						
54				H330			H330G						
55				H330			H330G						
56								MD6221D					
57				FA165/2TT			FA165/2R	MD6285D					
58				FA377TT			FA377R	MD6282D					
59				FA307TT			FA307R	MD6223D			UTVX6223		
60													

REAR / ARRIÈRE / HINTEN / POSTERIOR / POSTERIORE

R Suffix = High Durability Sintered Pad. **HH** Suffix = High Performance Sintered Pad. **TT** Suffix = Hard Wearing Off Road Pad. **V** Suffix = Semi Sintered Pad. **G** Suffix = Grooved Shoe.
D Suffix = Drilled Disc. **X** Suffix = Universal Left or Right Disc. **XC** Suffix = Contoured Disc. **LS** Suffix = Left/Steel Disc. **RS** = Right/Steel Disc.

BRAKE APPLICATIONS

*-2 Sets Required. † For Vee disc colours add RED, BLU, GRN, GLD, ORG suffix to part number.

⊙ - Also available as a Vintage Motorcycle Disc. ★ - EPFA available. ⚙ Disc made of Billet steel. ♦ CE solid discs for Enduro use.

Part numbers, prefixes, suffixes, photos and illustrations shown in this catalogue are trademarks and/or copyrights of EBC Brakes or the trademark owner A C Freeman Investments Ltd and use without express written permission of the owners is punishable by law.

Non-JAPANESE Built Motorcycles



BOMBARDIER/BRP Contd.



DISC PAD CHOICES - FRONT

BRAKE DISC CHOICES - FRONT

FRONT / AVANT / VORN / FRENTE / ANTERIORE

FA, SFA, TT Pad or Brake Shoe	SFAC Carbon Scooter Pads	Speciality Pads - SXR / Vee / MXS	Sintered/HH Pads/ Grooved Shoes	Standard Replacement Discs	Contour Disc Universal Left and Right	Vee-Discs Black † See note below	CX Extreme Disc / UTVX Disc	OSX Oversize 250mm or 280mm
Outlander 400 Max HO Left 2003-2006			FA307R	MD6222D*			UTVX6222*	
Outlander 400 Max HO Right 2003-2006			FA317R					
Outlander 400 Outlander 400 TE Left 2003-2004			FA307R	MD6222D*			UTVX6222*	
Outlander 400 Outlander 400 TE Right 2003-2004			FA317R					
Quest 500 2 x 4 Left 2002			FA307R	MD6224D*				
Quest 500 2 x 4 Right 2002			FA317R					
Quest 500 4 x 4 Left 2002-2003			FA307R	MD6224D*				
Quest 500 4 x 4 Right 2002-2003			FA317R					
Traxter 4 x 4 1999-1999			FA266	MD6229D*				
Traxter 4 x 4 Left 2001			FA307R	MD6229D*				
Traxter 4 x 4 Right 2001			FA317R					
Traxter 5 Speed Left 2005			FA307R	MD6245D*				
Traxter 5 Speed Right 2005			FA317R					
Traxter Auto Std/XL Left 2004			FA307R	MD6245D*				
Traxter Auto Std/XL Right 2004			FA317R					
Traxter Autoshift TE 2001		FA266V	FA266R	MD6229D*				
Traxter Autoshift TE Left 2001-2004			FA307R	MD6225D*				
Traxter Autoshift TE Right 2001-2004			FA317R					
Traxter CVT 500/650/650XT Left 2005			FA307R	MD6245D*				
Traxter CVT 500/650/650XT Right 2005			FA317R					
Traxter Footshift TE 2001		FA266V	FA266R	MD6229D*				
Traxter Footshift TE Left 2001			FA307R	MD6229D*				
Traxter Footshift TE Right 2001			FA317R					
Traxter Max Left 2003-2004			FA307R	MD6245D*				
Traxter Max Right 2003-2004			FA317R					
Traxter Max Std/XT Left 2004-2004			FA307R	MD6245D*				
Traxter Max Std/XT Right 2004-2004			FA317R					
Traxter XL Left 2004-2004			FA307R	MD6245D*				
Traxter XL Right 2004-2004			FA317R					
Traxter XL 4 x 4 2000		FA266V	FA266R	MD6229D*				
Traxter XL 4 x 4 Left 2001-2003			FA307R	MD6229D*				
Traxter XL 4 x 4 Right 2001-2003			FA317R					
Traxter XL TE Left 2004			FA307R	MD6245D*				
Traxter XL TE Right 2004			FA317R					
Traxter XT Left 2005			FA307R	MD6245D*				
Traxter XT Right 2005			FA317R					
Traxter XT 4 x 4 2000		FA266V	FA266R	MD6229D*				
Traxter XT 4 x 4 Left 2001			FA307R	MD6229D*				
Traxter XT 4 x 4 Right 2001			FA317R					
Quest Max STD/XT Left 2004			FA307R	MD6245D*				
Quest Max STD/XT Right 2004			FA317R					
DS 650 Baja/X Left 2001-2005			FA307R	MD6171D*				
DS 650 Baja/X Right 2001-2005			FA317R					
DS 650 DS 650 TE Left 2000-2004			FA307R	MD6171D*				
DS 650 DS 650 TE Right 2000-2004			FA317R					
Outlander 650 HO EFI 4 x 4/HO EFI XT 4 x 4 Left 2006			FA307R	MD6222D*			UTVX6222*	
Outlander 650 HO EFI 4 x 4/HO EFI XT 4 x 4 Right 2006			FA317R					
Outlander Max 650 HO EFI 4 x 4/HO EFI XT 4 x 4 Left 2006			FA307R	MD6222D*			UTVX6222*	
Outlander Max 650 HO EFI 4 x 4/HO EFI XT 4 x 4 Right 2006			FA317R					
Quest 650 2 x 4 Left 2002			FA307R	MD6224D*				
Quest 650 2 x 4 Right 2002			FA317R					
Quest 650 4 x 4 Left 2002-2003			FA307R	MD6224D*				
Quest 650 4 x 4 Right 2002-2003			FA317R					
Quest 650 Max Left 2003			FA307R	MD6224D*				
Quest 650 Max Right 2003			FA317R					
Quest 650 Max Left 2004-2004			FA307R	MD6245D*				
Quest 650 Max Right 2004-2004			FA317R					
Quest 650 XT 4X4 Left 2001			FA307R	MD6224D*				
Quest 650 XT 4X4 Right 2001			FA317R					

Line #
1
2
3
4
5
6
7
8
9
10
11
12
13
14
15
16
17
18
19
20
21
22
23
24
25
26
27
28
29
30
31
32
33
34
35
36
37
38
39
40
41
42
43
44
45
46
47
48
49
50
51
52
53
54
55
56
57
58
59
60

R Suffix = High Durability Sintered Pad. HH Suffix = High Performance Sintered Pad. TT Suffix = Hard Wearing Off Road Pad. V Suffix = Semi Sintered Pad. G Suffix = Grooved Shoe.
D Suffix = Drilled Disc. X Suffix = Universal Left or Right Disc. XC Suffix = Contoured Disc. LS Suffix = Left/Steel Disc. RS = Right/Steel Disc.

*-2 Sets Required. † For Vee disc colours add RED, BLU, GRN, GLD, ORG suffix to part number.

⊗ - Also available as a Vintage Motorcycle Disc. ★ - EPFA available. ⚙ Disc made of Billet steel. ♦ CE solid discs for Enduro use.

Non-JAPANESE Built Motorcycles

Line #	BRAKE DISC CHOICES - FRONT			DISC PAD CHOICES - REAR				BRAKE DISC CHOICES - REAR					
	SMX Oversize 320mm Disc Kit Front Left	Front disc bolt kit	Front Brake Line	FA, SFA, TT Pad or Brake Shoe	SFAC Carbon Scooter Pads	Speciality Pads - SXR / Vee / MXS	Sintered HH/R Pads/ Grooved Shoes	Standard Replacement Disc	Contour Disc Rear Fitment	Vee Discs CONTOUR	CX Extreme MX Race Disc / UTVX Disc	Rear disc bolt kit	Rear Brake Line
1				FA307TT			FA307R	MD6223D			UTVX6223		
2													
3				FA307TT			FA307R	MD6223D			UTVX6223		
4													
5				FA317TT			FA317R	MD6225D					
6													
7				FA317TT			FA317R	MD6225D					
8													
9				FA266			FA266R	MD6230D					
10				FA307TT			FA307R	MD6230D					
11													
12				FA317TT			FA317R	MD6225D					
13													
14				FA317TT			FA317R	MD6225D					
15													
16				FA266			FA266R	MD6230D					
17				FA317TT			FA317R	MD6224D					
18													
19				FA317TT			FA317R	MD6225D					
20													
21				FA266			FA266R	MD6230D					
22				FA317TT			FA317R	MD6230D					
23													
24				FA317TT			FA317R	MD6225D					
25													
26				FA317TT			FA317R	MD6225D					
27													
28				FA317TT			FA317R	MD6225D					
29													
30				FA266			FA266R	MD6230D					
31				FA317TT			FA317R	MD6230D					
32													
33				FA317TT			FA317R	MD6225D					
34													
35				FA317TT			FA317R	MD6225D					
36													
37				FA266			FA266R	MD6230D					
38				FA317TT			FA317R	MD6230D					
39													
40				FA317TT			FA317R	MD6225D					
41													
42				FA307TT			FA307R	MD6172D					
43													
44				FA307TT			FA307R	MD6172D					
45													
46				FA307TT			FA307R	MD6223D			UTVX6223		
47													
48				FA307TT			FA307R	MD6223D			UTVX6223		
49													
50				FA317TT			FA317R	MD6225D					
51													
52				FA317TT			FA317R	MD6225D					
53													
54				FA317TT			FA317R	MD6225D					
55													
56				FA317TT			FA317R	MD6225D					
57													
58				FA317TT			FA317R	MD6225D					
59													
60													

REAR / ARRIÈRE / HINTEN / POSTERIOR / POSTERIORE

R Suffix = High Durability Sintered Pad. **HH** Suffix = High Performance Sintered Pad. **TT** Suffix = Hard Wearing Off Road Pad. **V** Suffix = Semi Sintered Pad. **G** Suffix = Grooved Shoe.
D Suffix = Drilled Disc. **X** Suffix = Universal Left or Right Disc. **XC** Suffix = Contoured Disc. **LS** Suffix = Left/Steel Disc. **RS** = Right/Steel Disc.

BRAKE APPLICATIONS

*-2 Sets Required. † For Vee disc colours add RED, BLU, GRN, GLD, ORG suffix to part number.

⊗ - Also available as a Vintage Motorcycle Disc. ★ - EPFA available. Ⓢ Disc made of Billet steel. ◆ CE solid discs for Enduro use.

Part numbers, prefixes, suffixes, photos and illustrations shown in this catalogue are trademarks and/or copyrights of EBC Brakes or the trademark owner A C Freeman Investments Ltd and use without express written permission of the owners is punishable by law.

Non-JAPANESE Built Motorcycles



BOMBARDIER/BRP Contd.



Traxter Max CVT 650	Left	2004
	Right	
Outlander 800 All models	Left	2006
	Right	

BOOM TRIKE

Various Models	2010-2018
----------------	-----------

BORILE

B 500 CR	2002-2004
B 500 MT	2002

BRAMMO ELECTRIC BIKES

Empulse R	2012-2013
Enertia	2012-2013

BRANSON

BS 50 Cuba	2008
BS 50 Sting	2008
BM 125	2008
BM 125 Retro	2008
BM 125 Sport	2008
BS 125 Boulevard	2008
BS 125 Snooker	2008
BM 200	2008

BSA

Bantam D7	1965
Goldstar	2022-2023

BUELL

Blast	2000-2007
Firebolt XB9R	2002-2006
S1 Lightning	1994-1997
S1 Lightning	1998-2000
S1 White Lightning AE	1998-2000
X1 Lightning AE	1998-2000
X1 Lightning AE	2000-2005
1125CR R	2009-2009
1125R R	2008-2009
M2 Cyclone	1994-1997
M2 Cyclone	1998-2000
M2 Cyclone AE	2000-2005
S2 Thunderbolt	1994-1997
S2 Thunderbolt	1994-1997
S3 Thunderbolt AE	1998-2000
S3 Thunderbolt AE	1998-2000
XB12 R Firebolt	2004-2007
XB12 R Firebolt	2009-2009
XB12 S Ulysses	2006-2009
XB12 SCG Lightning	2006-2008
XB12 Ss Lightning	2009-2009
XB12 Ss Lightning Long	2006-2008
XB12 STT Lightning	2009-2009
XB12 XT Ulysses	2008-2009
XB9S Lightning	2003-2003
XB9SX Lightning	2004-2007
XB9SX Lightning	2008-2009
XB9SX Lightning City X	2005-2008

FRONT / AVANT / VORN / FRENTE / ANTERIORE

DISC PAD CHOICES - FRONT				BRAKE DISC CHOICES - FRONT					Line #
FA, SFA, TT Pad or Brake Shoe	SFAC Carbon Scooter Pads	Speciality Pads - SXR / Vee / MXS	Sintered/HH Pads/ Grooved Shoes	Standard Replacement Discs	Contour Disc Universal Left and Right	Vee-Discs Black † See note below	CX Extreme Disc / UTVX Disc	OSX Oversize 250mm or 280mm	
FA307TT			FA307R	MD6245D*					1
FA317TT			FA317R						2
FA307TT			FA307R	MD6222D*			UTVX6222*		3
FA317TT			FA317R						4
									5
									6
									7
									8
									9
FA095			FA095HH★						10
FA095			FA095HH★						11
									12
FA244*			FA244HH*★	MD614X*	MD614XC*	VR614BLK*†			13
FA209/2			FA209/2V						14
									15
									16
SFA235	SFAC235			MD923D					17
SFA235	SFAC235			MD923D					18
SFA093				MD923D*					19
SFA093				MD923D*					20
FA093									21
SFA257	SFAC257								22
SFA257	SFAC257								23
FA095			FA095V						24
									25
									26
858									27
FA142		FA142V	FA142HH						28
									29
									30
FA196			FA196HH★	MD737⊙					31
			FA345HH★	MD735RS					32
FA210		FA210V		MD719RS					33
FA424			FA424HH	MD719RS					34
FA424			FA424HH	MD719RS					35
FA424			FA424HH	MD719RS					36
FA424			FA424HH	MD719RS					37
FA424			FA424HH	MD734RS					38
			FA454/4HH	MD735RS					39
			FA454/4HH	MD735RS					40
FA210		FA210V		MD719RS					41
FA424			FA424HH	MD719RS					42
FA424			FA424HH	MD734RS					43
FA210		FA210V		MD719RS					44
FA210		FA210V		MD719RS					45
FA424			FA424HH	MD719RS					46
FA424			FA424HH	MD719RS					47
			FA345HH★	MD735RS					48
			FA454/4HH	MD735RS					49
			FA345HH★	MD735RS					50
			FA345HH★	MD735RS					51
			FA454/4HH	MD735RS					52
			FA345HH★	MD735RS					53
			FA454/4HH	MD735RS					54
			FA345HH★	MD735RS					55
			FA345HH★	MD735RS					56
			FA345HH★	MD735RS					57
			FA345HH★	MD735RS					58
			FA345HH★	MD735RS					59
									60

*-2 Sets Required. † For Vee disc colours add RED, BLU, GRN, GLD, ORG suffix to part number.

⊙ - Also available as a Vintage Motorcycle Disc. ★ - EPFA available. ⊕ Disc made of Billet steel. ◆ CE solid discs for Enduro use.

Non-JAPANESE Built Motorcycles

Line #	BRAKE DISC CHOICES - FRONT			DISC PAD CHOICES - REAR				BRAKE DISC CHOICES - REAR					
	SMX Oversize 320mm Disc Kit Front Left	Front disc bolt kit	Front Brake Line	FA, SFA, TT Pad or Brake Shoe	SFAC Carbon Scooter Pads	Speciality Pads - SXR / Vee / MXS	Sintered HH/R Pads/ Grooved Shoes	Standard Replacement Disc	Contour Disc Rear Fitment	Vee Discs CONTOUR	CX Extreme MX Race Disc / UTVX Disc	Rear disc bolt kit	Rear Brake Line
1				FA317TT			FA317R	MD6225D					
2													
3				FA307TT			FA307R	MD6223D			UTVXG223		
4													
5													
6													
7								MD8005					
8													
9													
10				FA213			FA213HH★						
11				FA213			FA213HH★						
12													
13													
14				FA266			FA266HH★						
15				FA266			FA266HH★						
16													
17													
18													
19													
20													
21													
22													
23													
24													
25													
26													
27													
28				858									
29				FA213		FA213V	FA213HH						
30													
31													
32				FA140		FA140V	FA140HH	MD738					
33				FA140		FA140V	FA140HH	MD511					
34				FA251				MD511					
35				FA251				MD511					
36				FA140		FA140V	FA140HH	MD511					
37				FA140		FA140V	FA140HH	MD511					
38				FA140		FA140V	FA140HH	MD511					
39							FA460HH						
40							FA460HH						
41				FA251				MD511					
42				FA251				MD511					
43				FA140		FA140V	FA140HH	MD511					
44				FA251				MD511					
45				FA251				MD511					
46				FA140		FA140V	FA140HH	MD511					
47				FA140		FA140V	FA140HH	MD511					
48				FA140		FA140V	FA140HH	MD522					
49				FA140		FA140V	FA140HH	MD522					
50				FA140		FA140V	FA140HH	MD522					
51				FA140		FA140V	FA140HH	MD522					
52				FA140		FA140V	FA140HH	MD522					
53				FA140		FA140V	FA140HH	MD522					
54				FA140		FA140V	FA140HH	MD522					
55				FA140		FA140V	FA140HH	MD522					
56				FA140		FA140V	FA140HH	MD522					
57				FA140		FA140V	FA140HH	MD522					
58				FA140		FA140V	FA140HH	MD522					
59				FA140		FA140V	FA140HH	MD522					
60													

REAR / ARRIÈRE / HINTEN / POSTERIOR / POSTERIORE

R Suffix = High Durability Sintered Pad. **HH** Suffix = High Performance Sintered Pad. **TT** Suffix = Hard Wearing Off Road Pad. **V** Suffix = Semi Sintered Pad. **G** Suffix = Grooved Shoe.
D Suffix = Drilled Disc. **X** Suffix = Universal Left or Right Disc. **XC** Suffix = Contoured Disc. **LS** Suffix = Left/Steel Disc. **RS** = Right/Steel Disc.

BRAKE APPLICATIONS

*-2 Sets Required. † For Vee disc colours add RED, BLU, GRN, GLD, ORG suffix to part number.

⊙ - Also available as a Vintage Motorcycle Disc. ★ - EPFA available. ⚙ - Disc made of Billet steel. ◆ - CE solid discs for Enduro use.

Part numbers, prefixes, suffixes, photos and illustrations shown in this catalogue are trademarks and/or copyrights of EBC Brakes or the trademark owner A C Freeman Investments Ltd and use without express written permission of the owners is punishable by law.

Non-JAPANESE Built Motorcycles



BULTACO

		DISC PAD CHOICES - FRONT				BRAKE DISC CHOICES - FRONT					Line #
		FA, SFA, TT Pad or Brake Shoe	SFAC Carbon Scooter Pads	Speciality Pads - SXR / Vee / MXS	Sintered/HH Pads/ Grooved Shoes	Standard Replacement Discs	Contour Disc Universal Left and Right	Vee-Discs Black † See note below	CX Extreme Disc / UTVX Disc	OSX Oversize 250mm or 280mm	
Astro SM 50	2002	FA167			FA167HH	MD923D*					1
Pursang MK9 125/200	1975				831G						2
Frontera 250/360/370 All models	1975				833G						3
Lobito 125 and 250cc	1969				831G						4
Pursang MK10 250cc	1977				831G						5
Pursang MK11 250cc	1978				831G						6
Pursang MK12 250cc	1979				831G						7
Pursang MK6 125/175/200/250/350	1973				831G						8
Sherpa 124-250cc 125-350cc 150-250cc 151	1973				831G						9
Sherpa 198-250cc & 199-350cc	1980				831G						10
Sherpa 250/350 /I	1972				831G						11
Sherpa 91-250cc & 92-350cc	1973				831G						12
Pursang MK7 and MK8 125/250/360	1977				831G						13
Pursang MK10 370cc	1977				833G						14
Pursang MK11 370cc	1978				833G						15
Pursang MK12 370cc	1979				833G						16
Pursang MK9 250/370	1975				833G						17
Brinco Electric Trials Bike C/R/RE/S Models	2015-2017	CFA689									18
FRONT / AVANT / VORN / FRENTE / ANTERIORE											
CAGIVA											
Blues 50	1993-1995	FA156									21
City 50	1991-1994	SFA257	SFAC257			MD923D					22
Cucciolo 50	1998-1999	SFA047			SFA047HH						23
Excalibur 501 RLX	1992	FA134									24
Mantis 50	1999	SFA193	SFAC193		SFA193HH						25
Mito 50	1998-1999	FA167			FA167HH						26
Nag 50 Scooter	2008	SFA235	SFAC235								27
Nuvola 50	2000	SFA193	SFAC193		SFA193HH						28
Prima 50	1992-1994	FA156									29
Progress 50	1997-1999	SFA115	SFAC115		SFA115HH						30
Stella 50	1997	SFA264	SFAC264		SFA264HH						31
Super City 50/80	1993-1995	FA156									32
W4 50	1991-1995	FA047		FA047V	FA047HH						33
Blues 125	1992-1995	FA256			FA256HH						34
Brillio 125	2008	FA086			FA086HH						35
Cruiser 125	1987	FA134									36
Cucciolo 125	2000	SFA047			SFA047HH	MD9110D		VR9110			37
Elafant 125	1988-1990	FA163									38
Elefant RE 125	1987	FA047TT									39
Freccia 125 SY	1989	FA163									40
Mito 125 All models	1991-1992	FA163					MD614XC	VR614BLK†			41
Mito 125 All models	1993-2007	FA095			FA095HH★		MD614XC	VR614BLK†			42
Mito 125 SP525	2008-2010	FA095			FA095HH★		MD614XC	VR614BLK†			43
Nuvola 125	Left 2000	SFA193	SFAC193		SFA193HH						44
	Right										45
Passing 125	Left 1993-1997	SFA264	SFAC264		SFA264HH						46
	Right										47
Planet 125 1st Series	1999-2003	FA095			FA095HH★		MD614XC	VR614BLK†			48
Planet 125 2nd Series	1999-2003	FA095			FA095HH★		MD614XC	VR614BLK†			49
Planet 125 3rd Series	1999-2003	FA095			FA095HH★		MD614XC	VR614BLK†			50
Raptor 125	2003-2010	FA095			FA095HH★		MD614XC	VR614BLK†			51
Roadster 125 1AA Model	1995-1999	FA256			FA256HH						52
Roadster 125 521 1A Model	1992-1994	FA256			FA256HH						53
Super City 125	1992-2000	FA163					MD614XC	VR614BLK†			54
SXT 125	1982	FA060									55
Tamanaco 125	1988-1989	FA163									56
W8 125	1993-1998	FA163									57
WMX 125	1985				944G						58
WMX 125	1989	FA134			FA134R						59
WMX 125	1987-1988	FA134			FA134R						60

*-2 Sets Required. † For Vee disc colours add RED, BLU, GRN, GLD, ORG suffix to part number.

⊗ - Also available as a Vintage Motorcycle Disc. ★ - EPFA available. ⚙ - Disc made of Billet steel. ♦ - CE solid discs for Enduro use.

172 Part numbers, prefixes, suffixes, photos and illustrations shown in this catalogue are trademarks and/or copyrights of EBC Brakes or the trademark owner A C Freeman Investments Ltd and use without express written permission of the owners is punishable by law.

Non-JAPANESE Built Motorcycles

Line #	BRAKE DISC CHOICES - FRONT			DISC PAD CHOICES - REAR				BRAKE DISC CHOICES - REAR					
	SMX Oversize 320mm Disc Kit Front Left	Front disc bolt kit	Front Brake Line	FA, SFA, TT Pad or Brake Shoe	SFAC Carbon Scooter Pads	Speciality Pads - SXR / Vee / MXS	Sintered HH/R Pads/ Grooved Shoes	Standard Replacement Disc	Contour Disc Rear Fitment	Vee Discs CONTOUR	CX Extreme MX Race Disc / UTVX Disc	Rear disc bolt kit	Rear Brake Line
1				FA115			FA115HH						
2							831G						
3							833G						
4							831G						
5							833G						
6							833G						
7							833G						
8				FA047									
9							833G						
10							831G						
11							831G						
12				FA060									
13							833G						
14							833G						
15							833G						
16							833G						
17							833G						
18				CFA619									
19													
20													
21				SFA186									
22				893									
23				S624									
24				FA047									
25													
26				FA115			FA115HH	MD805					
27													
28													
29				SFA186				MD805					
30				S624									
31				SFA264	SFAC264								
32				SFA186				MD805					
33				FA060									
34				FA047			FA047HH						
35				FA101									
36				FA060									
37				FA047			FA047HH						
38				FA060									
39				953									
40				FA047			FA047HH						
41				FA047			FA047HH						
42				FA047			FA047HH	MD638					
43				FA047			FA047HH	MD638					
44				816									
45				FA047			FA047HH						
46				H303									
47				FA047			FA047HH						
48				FA047			FA047HH	MD638					
49				FA047			FA047HH	MD638					
50				FA047			FA047HH	MD638					
51				FA047			FA047HH	MD638					
52				FA047			FA047HH						
53				FA047			FA047HH						
54				FA047			FA047HH						
55							841G						
56				FA060									
57				FA060									
58							841G						
59				FA067			FA067R						
60													

REAR / ARRIÈRE / HINTEN / POSTERIOR / POSTERIORE

R Suffix = High Durability Sintered Pad. **HH** Suffix = High Performance Sintered Pad. **TT** Suffix = Hard Wearing Off Road Pad. **V** Suffix = Semi Sintered Pad. **G** Suffix = Grooved Shoe.
D Suffix = Drilled Disc. **X** Suffix = Universal Left or Right Disc. **XC** Suffix = Contoured Disc. **LS** Suffix = Left/Steel Disc. **RS** = Right/Steel Disc.

BRAKE APPLICATIONS

*-2 Sets Required. † For Vee disc colours add RED, BLU, GRN, GLD, ORG suffix to part number.

⊙ - Also available as a Vintage Motorcycle Disc. ★ - EPFA available. ⊕ Disc made of Billet steel. ◆ CE solid discs for Enduro use.

Part numbers, prefixes, suffixes, photos and illustrations shown in this catalogue are trademarks and/or copyrights of EBC Brakes or the trademark owner A C Freeman Investments Ltd and use without express written permission of the owners is punishable by law.

Non-JAPANESE Built Motorcycles



CAGIVA Contd.



DISC PAD CHOICES - FRONT

BRAKE DISC CHOICES - FRONT

R Suffix = High Durability Sintered Pad. HH Suffix = High Performance Sintered Pad. TT Suffix = Hard Wearing Off Road Pad. V Suffix = Semi Sintered Pad. G Suffix = Grooved Shoe.
D Suffix = Drilled Disc. X Suffix = Universal Left or Right Disc. XC Suffix = Contoured Disc. LS Suffix = Left/Steel Disc. RS = Right/Steel Disc.

FRONT / AVANT / VORN / FRENTE / ANTERIORE

Model	Year	FA, SFA, TT Pad or Brake Shoe	SFAC Carbon Scooter Pads	Speciality Pads - SXR / Vee / MXS	Sintered/HH Pads/ Grooved Shoes	Standard Replacement Discs	Contour Disc Universal Left and Right	Vee-Discs Black † See note below	CX Extreme Disc / UTVX Disc	OSX Oversize 250mm or 280mm	Line #
WMX 125	1986	FA047		FA047V	FA047HH						1
WSXT 125 Aletta Rossa	1983-1984	FA060									2
XSST 125	1980										3
XSST 125	1981-1982	FA060									4
SST 250/350	1980										5
SST 250/350	1980-1982	FA047		FA047V	FA047HH						6
SX 250/350	1982				842G						7
SX 250/350	1982	FA047		FA047V	FA047HH						8
WMX 250	1985	FA047		FA047V	FA047HH						9
WMX 250	1986-1988	FA134			FA134R						10
WMX 250	Left 1989	FA134			FA134R						11
	Right										12
W12 350	1993-1995	FA163									13
Canyon 500	1996-2000	FA124/2		FA124/2V	FA124/2HH						14
Mito 500	2007	FA095			FA095HH★		MD614X	VR614BLK†			15
Mito 500	2008				FA322/4HH★	MD614X	MD614X	VR614BLK†			16
WMX 500	1984-1986	FA047		FA047V	FA047HH						17
Canyon 600	1996-1999	FA124/2		FA124/2V	FA124/2HH	MD6168D					18
River 600	1995-1999	FA095			FA095HH★	MD614X	MD614X	VR614BLK†			19
W16 600	1994-1998	FA163									20
Elefant 650	1985					MD6265D					21
Elefant 650	1988-1989					MD6265D					22
Raptor/V-Raptor/X-tra R	Left 2000-2005	FA244*		FA244V*	FA244HH*★	MD660LS					23
	Right					MD660RS					24
V-Raptor/Raptor 650	Left 2001-2007	FA244*		FA244V*	FA244HH*★	MD660LS					25
	Right					MD660RS					26
Elefant 750	1990-1992	FA134				MD6265D					27
Elefant E 750	1993-1995	FA124/2		FA124/2V	FA124/2HH	MD6168D					28
Canyon/Gran Canyon 900 IE	1998-2000	FA142*				MD6168D*					29
E 900 C Elefant	1993-1997	FA181TT*		MXS181*	FA181R*	MD6303D*					30
E 900 C ie Lucky Explorer	1995-1997	FA181TT*		MXS181*	FA181R*	MD6303D*					31
E 900 Elefant Dakar Rep	1990	FA124/2		FA124/2V	FA124/2HH						32
E 900 ie GT	1991-1992	FA124/2		FA124/2V	FA124/2HH	MD6168D					33
E 900 ie Lucky Explorer	1991-1992	FA124/2		FA124/2V	FA124/2HH	MD6168D					34
N1 125	1997	FA095			FA095HH★		MD614X	VR614BLK†			35
Navigator 1000	2000-2005	FA142*		FA142V*	FA142HH*	MD6168D*					36
Raptor X3 1000	2003-2004				FA322/4HH*★	MD666X*	MD666XC*				37
											38
											39
CAN AM											
Ryker 600 Ace	Left 2018-2024	FA165TT		SXR165HH	FA165R						40
	Right	FA135TT		SXR135HH	FA135R						41
Ryker 600 Rally	Left 2024	FA165TT		SXR165HH	FA165R						42
	Right	FA135TT		SXR135HH	FA135R						43
Ryker 600 Sport	Left 2024	FA165TT		SXR165HH	FA165R						44
	Right	FA135TT		SXR135HH	FA135R						45
Ryker 900 Ace	Left 2018-2024	FA165TT		SXR165HH	FA165R						46
	Right	FA135TT		SXR135HH	FA135R						47
Ryker 900 Rally	Left 2024	FA165TT		SXR165HH	FA165R						48
	Right	FA135TT		SXR135HH	FA135R						49
Ryker 900 Sport	Left 2024	FA165TT		SXR165HH	FA165R						50
	Right	FA135TT		SXR135HH	FA135R						51
Spyder F3 LTD	2016-2024			FA630V*	FA630HH*★	MD853*	VR853*				52
Spyder F3 LTD Special Series	2024			FA630V*	FA630HH*★	MD853*	VR853*				53
Spyder F3 SE6/SM6	2015-2022			FA630V*	FA630HH*★	MD853*	VR853*				54
Spyder F3-S SE6/SM6	2015-2017			FA630V*	FA630HH*★	MD853*	VR853*				55
Spyder F3-S Special Series	2016-2024			FA630V*	FA630HH*★	MD853*	VR853*				56
Spyder F3-T	2016-2017			FA630V*	FA630HH*★	MD853*	VR853*				57
Spyder RS	2010-2012	FA474*		FA474V*		MD801*	VR801*				58
Spyder RS E	2013-2016			FA630V*	FA630HH*★	MD853*	VR853*				59
Spyder RS SE5	2008-2009	FA474*		FA474V*		MD801*	VR801*				60

*-2 Sets Required. † For Vee disc colours add RED, BLU, GRN, GLD, ORG suffix to part number.

⊗ - Also available as a Vintage Motorcycle Disc. ★ - EPFA available. ⚙ Disc made of Billet steel. ♦ CE solid discs for Enduro use.

Non-JAPANESE Built Motorcycles

Line #	BRAKE DISC CHOICES - FRONT			DISC PAD CHOICES - REAR				BRAKE DISC CHOICES - REAR					
	SMX Oversize 320mm Disc Kit Front Left	Front disc bolt kit	Front Brake Line	FA, SFA, TT Pad or Brake Shoe	SFAC Carbon Scooter Pads	Speciality Pads - SXR / Vee / MXS	Sintered HH/R Pads/ Grooved Shoes	Standard Replacement Disc	Contour Disc Rear Fitment	Vee Discs CONTOUR	CX Extreme MX Race Disc / UTVX Disc	Rear disc bolt kit	Rear Brake Line
1													
2				845									
3				844			844G						
4				844			844G						
5				844			844G						
6				FA173			842G						
7				FA165/2TT			FA165/2R						
8				FA165/2TT			FA165/2R						
9				FA165/2TT			FA165/2R						
10				FA165/2TT			FA165/2R						
11				FA067			FA067R						
12				FA213		FA213V	FA213HH						
13				FA173									
14				FA165/2TT			FA165/2R						
15				FA047			FA047HH	MD638					
16				FA047			FA047HH	MD638					
17				FA213			982G						
18				FA165/2TT			FA165/2R	MD6160D					
19				FA047			FA047HH	MD638					
20				FA173									
21				FA047			FA047HH						
22				FA047			FA047HH	MD6259D					
23				FA266		FA266V	FA266HH★	MD617					
24													
25				FA266		FA266V	FA266HH★						
26								MD617					
27				FA163				MD6259D					
28				FA181TT		MXS181	FA181HH	MD1020					
29				FA165/2TT			FA165/2R	MD6160D					
30			BLM8104-3F	FA181TT		MXS181	FA181R	MD1020					
31				FA181TT		MXS181	FA181R	MD1020					
32				FA165/2TT			FA165/2R	MD6160D					
33				FA165/2TT			FA165/2R	MD6160D					
34				FA165/2TT			FA165/2R	MD6160D					
35				FA047			FA047HH						
36				FA165/2TT			FA165/2R	MD6160D					
37				FA266			FA266HH★	MD617					
38													
39													
40				FA317TT			FA317R						
41				FA317TT			FA317R						
42				FA317TT			FA317R						
43				FA317TT			FA317R						
44				FA317TT			FA317R						
45				FA317TT			FA317R						
46				FA317TT			FA317R						
47				FA317TT			FA317R						
48				FA317TT			FA317R						
49				FA317TT			FA317R						
50				FA317TT			FA317R						
51													
52							FA631HH	MD854		VR854			
53							FA631HH	MD854		VR854			
54							FA631HH	MD854		VR854			
55							FA631HH	MD854		VR854			
56							FA631HH	MD854		VR854			
57							FA631HH	MD854		VR854			
58				FA473		FA473V	FA631HH	MD802		VR802			
59							FA631HH	MD854		VR854			
60				FA473		FA473V		MD802		VR802			

REAR / ARRIÈRE / HINTEN / POSTERIOR / POSTERIORE

R Suffix = High Durability Sintered Pad. **HH** Suffix = High Performance Sintered Pad. **TT** Suffix = Hard Wearing Off Road Pad. **V** Suffix = Semi Sintered Pad. **G** Suffix = Grooved Shoe.
D Suffix = Drilled Disc. **X** Suffix = Universal Left or Right Disc. **XC** Suffix = Contoured Disc. **LS** Suffix = Left/Steel Disc. **RS** = Right/Steel Disc.

BRAKE APPLICATIONS

*-2 Sets Required. † For Vee disc colours add RED, BLU, GRN, GLD, ORG suffix to part number.

⊙ - Also available as a Vintage Motorcycle Disc. ★ - EPFA available. ⚙ Disc made of Billet steel. ♦ CE solid discs for Enduro use.

Part numbers, prefixes, suffixes, photos and illustrations shown in this catalogue are trademarks and/or copyrights of EBC Brakes or the trademark owner A C Freeman Investments Ltd and use without express written permission of the owners is punishable by law.

Non-JAPANESE Built Motorcycles



CAN AM Contd.



DISC PAD CHOICES - FRONT

BRAKE DISC CHOICES - FRONT

FRONT / AVANT / VORN / FRENTE / ANTERIORE

FA, SFA, TT Pad or Brake Shoe	SFAC Carbon Scooter Pads	Speciality Pads - SXR / Vee / MXS	Sintered/HH Pads/ Grooved Shoes	Standard Replacement Discs	Contour Disc Universal Left and Right	Vee-Discs Black † See note below	CX Extreme Disc / UTVX Disc	OSX Oversize 250mm or 280mm
Spyder RS SM5 2008-2009		FA474V*		MD801*	VR801*			
Spyder RS-S 2010-2012		FA474V*		MD801*	VR801*			
Spyder RS-S SE 2013-2016		FA630V*	FA630HH*★	MD853*	VR853*			
Spyder RT 2010-2012		FA474V*		MD801*	VR801*			
Spyder RT 2013-2017		FA630V*	FA630HH*★	MD853*	VR853*			
Spyder RT LTD 2010-2012		FA474V*		MD801*	VR801*			
Spyder RT LTD 2013-2024		FA630V*	FA630HH*★	MD853*	VR853*			
Spyder RT Sea to Sky 2024		FA630V*	FA630HH*★	MD853*	VR853*			
Spyder RT-S 2010-2012		FA474V*		MD801*	VR801*			
Spyder RT-S 2013-2015		FA630V*	FA630HH*★	MD853*	VR853*			
Spyder RT-S Special Series 2016-2021		FA630V*	FA630HH*★	MD853*	VR853*			
Spyder ST 2013-2016		FA630V*	FA630HH*★	MD853*	VR853*			
Spyder ST LTD 2013-2015		FA630V*	FA630HH*★	MD853*	VR853*			
Spyder ST-S 2013-2016		FA630V*	FA630HH*★	MD853*	VR853*			
CAN AM ATV								
DS 70 2 x 4/4T Mini 2008-2021		H346*	H346G*					
Renegade 70 2023		H346*	H346G*					
DS 90 2 x 4/4T 2007-2021		H346*	H346G*					
DS 90 X 2 x 4/4T 2008-2023		FA083TT*	FA083R*	MD6335D*				
Renegade 110 2023-2024		FA083TT*	FA083R*	MD6335D*				
Rally 200 4A7A/B/C/D/E/F 2006		FA083TT*	FA083R*	MD6220D*				
DS 250 2020-2024		FA377TT*	FA377R*	MD6283D*				
DS 250 3J7A/B/C 2007-2019		FA377TT*	FA377R*	MD6283D*				
Outlander 400 XT 4 x 4 Left 2007-2014		FA307TT	FA307R	MD6222D*			UTVX6222*	
2E7A/B/C/D/E/F Right		FA317TT	FA317R					
Outlander Max 400 STD 4 x 4 Left 2007-2015		FA307TT	FA307R	MD6222D*			UTVX6222*	
2F7B/C/D/E/F/G/H/J Right		FA317TT	FA317R					
Outlander Max 400 XT 4 x 4 Left 2007-2013		FA307TT	FA307R	MD6222D*			UTVX6222*	
2G7A/B/C/D/E Right		FA317TT	FA317R					
DS 450 2 x 4/EFI 2008-2015			FA468R*		MD6322C*			
DS 450 X 2 x 4/EFI 2008-2009			FA468R*		MD6322C*			
DS 450 Xxc/Xmx 2008-2015			FA468R*		MD6322C*			
Outlander 450 All Models Left 2018-2023		FA618TT	FA618R	MD6370D*			UTVX6370*	
Right		FA617TT	FA617R					
Outlander Max 450 All Models Left 2018-2023		FA618TT	FA618R	MD6370D*			UTVX6370*	
Right		FA617TT	FA617R					
Outlander 500 4 x 4 DPS Left 2013-2014		FA618TT	FA618R	MD6370D*			UTVX6370*	
Right		FA617TT	FA617R					
Outlander 500 L EFI STD inc Max Left 2013-2014		FA618TT	FA618R	MD6370D*			UTVX6370*	
Right		FA617TT	FA617R					
Outlander 500 STD 4 x 4 2T7A/B/C/D Left 2007-2011		FA307TT	FA307R	MD6222D*			UTVX6222*	
Right		FA317TT	FA317R					
Outlander 500 XT Left 2013-2013		FA618TT	FA618R	MD6370D*			UTVX6370*	
Right		FA617TT	FA617R					
Outlander 500 XT 4 x 4 2U7A/B/C/D Left 2007-2011		FA307TT	FA307R	MD6222D*			UTVX6222*	
Right		FA317TT	FA317R					
Outlander Max 500 4 x 4 DPS Left 2013-2014		FA618TT	FA618R	MD6370D*			UTVX6370*	
Right		FA617TT	FA617R					
Outlander Max 500 EFI XT Left 2013-2015		FA618TT	FA618R	MD6370D*			UTVX6370*	
Right		FA617TT	FA617R					
Outlander Max 500 STD 4 x 4 2W7A/B/C Left 2007-2012		FA307TT	FA307R	MD6222D*			UTVX6222*	
Right		FA317TT	FA317R					
Outlander Max 500 XT 4 x 4 2X7A/B/C Left 2007-2012		FA307TT	FA307R	MD6222D*			UTVX6222*	
Right		FA317TT	FA317R					
Renegade 500 4 x 4/EFI Left 2007-2014		FA307TT	FA307R	MD6223D*			UTVX6223*	
Right		FA317TT	FA317R					
Renegade 500 STD Left 2012-2014		FA618TT	FA618R	MD6370D*			UTVX6370*	
Right		FA617TT	FA617R					

Line #
1
2
3
4
5
6
7
8
9
10
11
12
13
14
15
16
17
18
19
20
21
22
23
24
25
26
27
28
29
30
31
32
33
34
35
36
37
38
39
40
41
42
43
44
45
46
47
48
49
50
51
52
53
54
55
56
57
58
59
60

R Suffix = High Durability Sintered Pad. HH Suffix = High Performance Sintered Pad. TT Suffix = Hard Wearing Off Road Pad. V Suffix = Semi Sintered Pad. G Suffix = Grooved Shoe.
D Suffix = Drilled Disc. X Suffix = Universal Left or Right Disc. XC Suffix = Contoured Disc. LS Suffix = Left/Steel Disc. RS = Right/Steel Disc.

*-2 Sets Required. † For Vee disc colours add RED, BLU, GRN, GLD, ORG suffix to part number.

⊗ - Also available as a Vintage Motorcycle Disc. ★ - EPFA available. ⚙ Disc made of Billet steel. ♦ CE solid discs for Enduro use.

Non-JAPANESE Built Motorcycles

Line #	BRAKE DISC CHOICES - FRONT			DISC PAD CHOICES - REAR				BRAKE DISC CHOICES - REAR					
	SMX Oversize 320mm Disc Kit Front Left	Front disc bolt kit	Front Brake Line	FA, SFA, TT Pad or Brake Shoe	SFAC Carbon Scooter Pads	Speciality Pads - SXR / Vee / MXS	Sintered HH/R Pads/ Grooved Shoes	Standard Replacement Disc	Contour Disc Rear Fitment	Vee Discs CONTOUR	CX Extreme MX Race Disc / UTVX Disc	Rear disc bolt kit	Rear Brake Line
1				FA473		FA473V		MD802		VR802			
2				FA473		FA473V		MD802		VR802			
3							FA631HH	MD854		VR854			
4				FA473		FA473V		MD802		VR802			
5							FA631HH	MD854		VR854			
6				FA473		FA473V		MD802		VR802			
7							FA631HH	MD854		VR854			
8							FA631HH	MD854		VR854			
9				FA473		FA473V		MD802		VR802			
10							FA631HH	MD854		VR854			
11							FA631HH	MD854		VR854			
12							FA631HH	MD854		VR854			
13							FA631HH	MD854		VR854			
14							FA631HH	MD854		VR854			
15													
16													
17				H307			H307G						
18				H307			H307G						
19				H307			H307G						
20				FA083TT			FA083R	MD6334D					
21				FA083TT			FA083R	MD6334D					
22				FA307TT			FA307R	MD6285D					
23				FA377TT			FA377R	MD6282D					
24				FA377TT			FA377R	MD6282D					
25				FA307TT			FA307R	MD6223D		UTVX6223			
26													
27				FA307TT			FA307R	MD6223D		UTVX6223			
28													
29				FA307TT			FA307R	MD6223D		UTVX6223			
30													
31							FA398R		MD6321C				
32							FA398R		MD6321C				
33							FA398R	MD6021D					
34				FA618TT			FA618R	MD6370D*		UTVX6370*			
35				FA617TT			FA617R						
36				FA617TT			FA617R	MD6370D*		UTVX6370*			
37				FA618TT			FA618R						
38													
39				FA617TT			FA617R	MD6370D		UTVX6370			
40													
41				FA617TT			FA617R	MD6370D		UTVX6370			
42				FA307TT			FA307R	MD6223D		UTVX6223			
43													
44													
45				FA617TT			FA617R	MD6370D		UTVX6370			
46				FA307TT			FA307R	MD6223D		UTVX6223			
47													
48													
49				FA617TT			FA617R	MD6370D		UTVX6370			
50													
51				FA617TT			FA617R	MD6370D		UTVX6370			
52				FA307TT			FA307R	MD6223D		UTVX6223			
53													
54				FA307TT			FA307R	MD6223D		UTVX6223			
55													
56				FA307TT			FA307R	MD6223D		UTVX6223			
57													
58													
59				FA617TT			FA617R	MD6370D		UTVX6370			
60													

REAR / ARRIÈRE / HINTEN / POSTERIOR / POSTERIORE

R Suffix = High Durability Sintered Pad. **HH** Suffix = High Performance Sintered Pad. **TT** Suffix = Hard Wearing Off Road Pad. **V** Suffix = Semi Sintered Pad. **G** Suffix = Grooved Shoe.
D Suffix = Drilled Disc. **X** Suffix = Universal Left or Right Disc. **XC** Suffix = Contoured Disc. **LS** Suffix = Left/Steel Disc. **RS** = Right/Steel Disc.

*-2 Sets Required. † For Vee disc colours add RED, BLU, GRN, GLD, ORG suffix to part number.

⊙ - Also available as a Vintage Motorcycle Disc. ★ - EPFA available. Ⓢ Disc made of Billet steel. ◆ CE solid discs for Enduro use.

Part numbers, prefixes, suffixes, photos and illustrations shown in this catalogue are trademarks and/or copyrights of EBC Brakes or the trademark owner A C Freeman Investments Ltd and use without express written permission of the owners is punishable by law.

Non-JAPANESE Built Motorcycles



CAN AM ATV Contd.



DISC PAD CHOICES - FRONT

BRAKE DISC CHOICES - FRONT

FRONT / AVANT / VORN / FRENTE / ANTERIORE

FA, SFA, TT Pad or Brake Shoe	SFAC Carbon Scooter Pads	Speciality Pads - SXR / Vee / MXS	Sintered/HH Pads/ Grooved Shoes	Standard Replacement Discs	Contour Disc Universal Left and Right	Vee-Discs Black † See note below	CX Extreme Disc / UTVX Disc	OSX Oversize 250mm or 280mm
Outlander 570 All Models Left 2018-2023			FA618R	MD6370D*			UTVX6370*	
Right			FA617R					
Outlander Max 570 All Models Left 2018-2022			FA618R	MD6370D*			UTVX6370*	
Right			FA617R					
Renegade 570 EFI All Models Left 2019-2023			FA618R	MD6370D*			UTVX6370*	
Right			FA617R					
DS 650 X 3B7A/B Left 2006			FA307R	MD6171D*				
Right			FA317R					
Outlander 650 4 x 4 STD Left 2007-2012			FA307R	MD6222D*			UTVX6222*	
2N7A/B/C/D/E/F/G/H Right			FA317R					
Outlander 650 All Models Left 2013-2023			FA618R	MD6370D*				
Right			FA617R					
Outlander 650 XT 4 x 4 Left 2007-2012			FA307R	MD6222D*			UTVX6222*	
2P7A/B/C/D/E/F Right			FA317R					
Outlander Max 650 4 x 4 STD/DPS/XT Left 2013-2014			FA618R	MD6370D*			UTVX6370*	
Right			FA617R					
Outlander Max 650 All Models Left 2018-2024			FA618R	MD6370D*			UTVX6370*	
Right			FA617R					
Outlander Max 650 Pro Left 2017			FA618R	MD6370D*			UTVX6370*	
Right			FA617R					
Outlander Max 650 STD 4 x 4 Left 2007-2012			FA307R	MD6222D*			UTVX6222*	
2R7A/B/C/D/E/F/G/H/J/K 2R7A/B/C/D/E/F/G/H/J/K Right			FA317R					
Outlander Max 650 XT 4 x 4 Left 2007-2012			FA307R	MD6222D*			UTVX6222*	
2S7A/B/C/D/E/F Right			FA317R					
Outlander Max 650 X-TP Left 2011			FA307R	MD6222D*			UTVX6222*	
Right			FA317R					
Renegade 650 All Models Left 2019-2024			FA618R	MD6370D*			UTVX6370*	
Right			FA617R					
Outlander 800 R 4 x 4 DPS Left 2012			FA618R	MD6370D*			UTVX6370*	
Right			FA617R					
Outlander 800 R EFI Left 2008			FA307R	MD6222D*			UTVX6222*	
Right			FA317R					
Outlander 800 R STD Left 2012-2014			FA618R	MD6370D*			UTVX6370*	
Right			FA617R					
Outlander 800 R Xmr Left 2011-2011			FA307R	MD6222D*			UTVX6222*	
Right			FA317R					
Outlander 800 R XT Left 2012-2015			FA618R	MD6370D*			UTVX6370*	
Right			FA617R					
Outlander 800 R XT Left 2008-2009			FA618R	MD6370D*			UTVX6370*	
Right			FA617R					
Outlander 800 R Xxc Left 2011			FA307R	MD6222D*			UTVX6222*	
Right			FA317R					
Outlander 800 STD 4 x 4 2H7A/B/ Left 2007-2008			FA307R	MD6222D*			UTVX6222*	
C/D/E/F/G/H Right			FA317R					
Outlander 800 XT 4 x 4 2J7A/B/ Left 2007-2008			FA307R	MD6222D*			UTVX6222*	
C/D/E/F Right			FA317R					
Outlander Max 800 Ltd 4 x 4 Left 2007-2012			FA307R	MD6222D*			UTVX6222*	
2M7A/B/C Right			FA317R					
Outlander Max 800 R 4 x 4 STD/ Left 2013-2015			FA618R	MD6370D*			UTVX6370*	
DPS/XT-P Right			FA617R					
Outlander Max 800 R EFI Left 2009-2012			FA307R	MD6222D*			UTVX6222*	
Right			FA317R					
Outlander Max 800 R XT Left 2009-2012			FA307R	MD6222D*			UTVX6222*	
Right			FA317R					
Outlander Max 800 R X-TP Left 2012			FA307R	MD6222D*			UTVX6222*	
Right			FA317R					
Outlander Max 800 STD 4 x 4 Left 2007-2012			FA307R	MD6222D*			UTVX6222*	
2K7A/B/C/D/E/F/G/H/J Right			FA317R					
Outlander Max 800 XT 4 x 4 Left 2007-2008			FA307R	MD6222D*			UTVX6222*	
2L7A/B/C/D/E/F Right			FA317R					

Line #
1
2
3
4
5
6
7
8
9
10
11
12
13
14
15
16
17
18
19
20
21
22
23
24
25
26
27
28
29
30
31
32
33
34
35
36
37
38
39
40
41
42
43
44
45
46
47
48
49
50
51
52
53
54
55
56
57
58
59
60

R Suffix = High Durability Sintered Pad. HH Suffix = High Performance Sintered Pad. TT Suffix = Hard Wearing Off Road Pad. V Suffix = Semi Sintered Pad. G Suffix = Grooved Shoe.
D Suffix = Drilled Disc. X Suffix = Universal Left or Right Disc. XC Suffix = Contoured Disc. LS Suffix = Left/Steel Disc. RS = Right/Steel Disc.

*-2 Sets Required. † For Vee disc colours add RED, BLU, GRN, GLD, ORG suffix to part number.

⊗ - Also available as a Vintage Motorcycle Disc. ★ - EPFA available. ⚙ Disc made of Billet steel. ♦ CE solid discs for Enduro use.

Non-JAPANESE Built Motorcycles

Line #	BRAKE DISC CHOICES - FRONT			DISC PAD CHOICES - REAR				BRAKE DISC CHOICES - REAR					
	SMX Oversize 320mm Disc Kit Front Left	Front disc bolt kit	Front Brake Line	FA, SFA, TT Pad or Brake Shoe	SFAC Carbon Scooter Pads	Speciality Pads - SXR / Vee / MXS	Sintered HH/R Pads/ Grooved Shoes	Standard Replacement Disc	Contour Disc Rear Fitment	Vee Discs CONTOUR	CX Extreme MX Race Disc / UTVX Disc	Rear disc bolt kit	Rear Brake Line
1				FA618TT			FA618R	MD6370D*			UTVX6370*		
2				FA617TT			FA617R						
3				FA618TT			FA618R	MD6370D*			UTVX6370*		
4				FA617TT			FA617R						
5				FA618TT			FA618R	MD6370D*			UTVX6370*		
6				FA617TT			FA617R						
7				FA307TT			FA307R	MD6172D					
8													
9				FA307TT			FA307R	MD6223D			UTVX6223		
10													
11								MD6370D					
12				FA617TT			FA617R						
13				FA307TT			FA307R	MD6223D			UTVX6223		
14													
15													
16				FA617TT			FA617R	MD6370D			UTVX6370		
17				FA618TT			FA618R	MD6370D*			UTVX6370*		
18				FA617TT			FA617R						
19				FA618TT			FA618R	MD6370D*			UTVX6370*		
20				FA617TT			FA617R						
21				FA307TT			FA307R	MD6223D			UTVX6223		
22													
23				FA307TT			FA307R	MD6223D			UTVX6223		
24													
25				FA307TT			FA307R	MD6223D			UTVX6223		
26													
27				FA618TT			FA618R	MD6370D*			UTVX6370*		
28				FA617TT			FA617R						
29													
30				FA617TT			FA617R	MD6370D			UTVX6370		
31				FA307TT			FA307R	MD6223D			UTVX6223		
32													
33													
34				FA617TT			FA617R	MD6370D			UTVX6370		
35				FA307TT			FA307R	MD6223D			UTVX6223		
36													
37													
38				FA617TT			FA617R	MD6370D			UTVX6370		
39													
40				FA617TT			FA617R	MD6370D			UTVX6370		
41				FA307TT			FA307R	MD6223D			UTVX6223		
42													
43				FA307TT			FA307R	MD6223D			UTVX6223		
44													
45				FA307TT			FA307R	MD6223D			UTVX6223		
46													
47				FA307TT			FA307R	MD6223D			UTVX6223		
48													
49													
50				FA617TT			FA617R	MD6370D			UTVX6370		
51				FA307TT			FA307R	MD6223D			UTVX6223		
52													
53				FA307TT			FA307R	MD6223D			UTVX6223		
54													
55				FA307TT			FA307R	MD6223D			UTVX6223		
56													
57				FA307TT			FA307R	MD6223D			UTVX6223		
58													
59				FA307TT			FA307R	MD6223D			UTVX6223		
60													

REAR / ARRIÈRE / HINTEN / POSTERIOR / POSTERIORE

R Suffix = High Durability Sintered Pad. **HH** Suffix = High Performance Sintered Pad. **TT** Suffix = Hard Wearing Off Road Pad. **V** Suffix = Semi Sintered Pad. **G** Suffix = Grooved Shoe.
D Suffix = Drilled Disc. **X** Suffix = Universal Left or Right Disc. **XC** Suffix = Contoured Disc. **LS** Suffix = Left/Steel Disc. **RS** = Right/Steel Disc.

BRAKE APPLICATIONS

*-2 Sets Required. † For Vee disc colours add RED, BLU, GRN, GLD, ORG suffix to part number.

⊙ - Also available as a Vintage Motorcycle Disc. ★ - EPFA available. Ⓢ Disc made of Billet steel. ◆ CE solid discs for Enduro use.

Part numbers, prefixes, suffixes, photos and illustrations shown in this catalogue are trademarks and/or copyrights of EBC Brakes or the trademark owner A C Freeman Investments Ltd and use without express written permission of the owners is punishable by law.

Non-JAPANESE Built Motorcycles



CAN AM ATV Contd.



DISC PAD CHOICES - FRONT

BRAKE DISC CHOICES - FRONT

FRONT / AVANT / VORN / FRENTE / ANTERIORE

			FA, SFA, TT Pad or Brake Shoe	SFAC Carbon Scooter Pads	Speciality Pads - SXR / Vee / MXS	Sintered/HH Pads/ Grooved Shoes	Standard Replacement Discs	Contour Disc Universal Left and Right	Vee-Discs Black † See note below	CX Extreme Disc / UTVX Disc	OSX Oversize 250mm or 280mm	Line #	
Renegade 800 4 x 4/EFI	Left	2007-2007	FA307TT			FA307R	MD6223D*			UTVX6223*		1	
	Right		FA317TT			FA317R						2	
Renegade 800 R EFI	Left	2009-2010	FA307TT			FA307R	MD6222D*			UTVX6222*		3	
	Right		FA317TT			FA317R						4	
Renegade 800 R STD	Left	2012-2014	FA618TT			FA618R	MD6370D*			UTVX6370*		5	
	Right		FA617TT			FA617R						6	
Renegade 800 R X	Left	2009-2009	FA307TT			FA307R	MD6222D*			UTVX6222*		7	
	Right		FA317TT			FA317R						8	
Renegade 800 R Xxc	Left	2010	FA307TT			FA307R	MD6222D*			UTVX6222*		9	
	Right		FA317TT			FA317R						10	
Renegade 800 R Xxc	Left	2012-2015	FA618TT			FA618R	MD6370D*			UTVX6370*		11	
	Right		FA617TT			FA617R						12	
Renegade 800 X 4 x 4/EFI	Left	2008	FA307TT			FA307R	MD6223D*			UTVX6223*		13	
	Right		FA317TT			FA317R						14	
Outlander 850 EFI	Left	2018-2021	FA618TT			FA618R	MD6370D*			UTVX6370*		15	
	Right		FA617TT			FA617R						16	
Renegade 850 EFI All Models	Left	2019-2023	FA618TT			FA618R	MD6370D*			UTVX6370*		17	
	Right		FA617TT			FA617R						18	
Outlander 1000 4 x 4 DPS/XT/XT -P/LTD/STD	Left	2012-2014	FA618TT			FA618R	MD6370D*			UTVX6370*		19	
	Right		FA617TT			FA617R						20	
Outlander 1000 All Models	Left	2013-2023	FA618TT			FA618R	MD6370D*			UTVX6370*		21	
	Right		FA617TT			FA617R						22	
Outlander 1000 STD	Left	2012-2014	FA618TT			FA618R	MD6370D*			UTVX6370*		23	
	Right		FA617TT			FA617R						24	
Outlander 1000 XT/XT-P	Left	2012-2014	FA618TT			FA618R	MD6370D*			UTVX6370*		25	
	Right		FA617TT			FA617R						26	
Outlander Max 1000 4 x 4 DPS/XT/XT-P	Left	2012	FA618TT			FA618R	MD6370D*			UTVX6370*		27	
	Right		FA617TT			FA617R						28	
Outlander Max 1000 All Models	Left	2017-2023	FA618TT			FA618R	MD6370D*			UTVX6370*		29	
	Right		FA617TT			FA617R						30	
Renegade 1000 All Models	Left	2012-2014	FA618TT			FA618R	MD6370D*			UTVX6370*		31	
	Right		FA617TT			FA617R						32	
Renegade 1000 All Models	Left	2017-2024	FA618TT			FA618R	MD6370D*			UTVX6370*		33	
	Right		FA617TT			FA617R						34	
												35	
												36	
CAN AM SIDE X SIDE													
Defender HD5 500cc	Left	2017-2019			SXR682HH	FA682R	MD6396D*			UTVX6396*		37	
	Right		FA683TT		SXR683HH	FA683R						38	
Traxter HD5	Left	2017-2019			SXR682HH	FA682R	MD6396D*					39	
	Right		FA683TT		SXR683HH	FA683R						40	
Traxter T HD5	Left	2018-2019			SXR682HH	FA682R	MD6396D*					41	
	Right		FA683TT		SXR683HH	FA683R						42	
Defender HD7 All Models	Left	2022-2023			SXR682HH	FA682R	MD6396D*			UTVX6396*		43	
	Right		FA683TT		SXR683HH	FA683R						44	
Defender Max HD7 All Models	Left	2022-2023			SXR682HH	FA682R	MD6396D*			UTVX6396*		45	
	Right		FA683TT		SXR683HH	FA683R						46	
Commander 700 All Models	Left	2022-2023			SXR682HH	FA682R	MD6396D*			UTVX6396*		47	
	Right		FA683TT		SXR683HH	FA683R						48	
Defender HD8 799cc	Left	2016			SXR682HH	FA682R	MD6396D*			UTVX6396*		49	
	Right		FA683TT		SXR683HH	FA683R						50	
Defender HD8 799cc	Left	2017-2019			SXR682HH	FA682R	MD6396D*			UTVX6396*		51	
	Right		FA683TT		SXR683HH	FA683R						52	
Defender Max HD8 799cc	Left	2018-2021			SXR682HH	FA682R	MD6396D*			UTVX6396*		53	
	Right		FA683TT		SXR683HH	FA683R						54	
Defender XT	Left	2016			SXR682HH	FA682R	MD6396D*			UTVX6396*		55	
	Right		FA683TT		SXR683HH	FA683R						56	
Defender XT Cab	Left	2016			SXR682HH	FA682R	MD6396D*			UTVX6396*		57	
	Right		FA683TT		SXR683HH	FA683R						58	
Commander 800 R STD EFI	Left	2011-2019			SXR165HH	FA165R	MD6366D*			UTVX6366*		59	
	Right		FA135TT		SXR135HH	FA135R						60	

*-2 Sets Required. † For Vee disc colours add RED, BLU, GRN, GLD, ORG suffix to part number.

⊗ - Also available as a Vintage Motorcycle Disc. ★ - EPFA available. ⚙ Disc made of Billet steel. ♦ CE solid discs for Enduro use.

Non-JAPANESE Built Motorcycles

Line #	BRAKE DISC CHOICES - FRONT			DISC PAD CHOICES - REAR				BRAKE DISC CHOICES - REAR					
	SMX Oversize 320mm Disc Kit Front Left	Front disc bolt kit	Front Brake Line	FA, SFA, TT Pad or Brake Shoe	SFAC Carbon Scooter Pads	Speciality Pads - SXR / Vee / MXS	Sintered HH/R Pads/ Grooved Shoes	Standard Replacement Disc	Contour Disc Rear Fitment	Vee Discs CONTOUR	CX Extreme MX Race Disc / UTVX Disc	Rear disc bolt kit	Rear Brake Line
1				FA307TT			FA307R	MD6223D			UTVX6223		
2													
3				FA307TT			FA307R	MD6223D			UTVX6223		
4													
5													
6				FA617TT			FA617R	MD6370D			UTVX6370		
7				FA307TT			FA307R	MD6223D			UTVX6223		
8													
9				FA307TT			FA307R	MD6223D			UTVX6223		
10													
11				FA618TT			FA618R	MD6370D*			UTVX6370*		
12				FA617TT			FA617R						
13				FA307TT			FA307R	MD6223D			UTVX6223		
14													
15				FA618TT			FA618R	MD6370D*			UTVX6370*		
16				FA617TT			FA617R						
17				FA618TT			FA618R	MD6370D*			UTVX6370*		
18				FA617TT			FA617R						
19											UTVX6370*		
20				FA617TT			FA617R				UTVX6370*		
21													
22				FA617TT			FA617R				UTVX6370*		
23				FA618TT			FA618R	MD6370D*			UTVX6370*		
24				FA617TT			FA617R						
25				FA618TT			FA618R	MD6370D*			UTVX6370*		
26				FA617TT			FA617R						
27											UTVX6370*		
28				FA617TT			FA617R						
29				FA618TT			FA618R	MD6370D*			UTVX6370*		
30				FA617TT			FA617R						
31				FA618TT			FA618R	MD6370D*			UTVX6370*		
32				FA617TT			FA617R						
33				FA618TT			FA618R	MD6370D*			UTVX6370*		
34				FA617TT			FA617R						
35													
36													
37													
38				FA683TT			FA683R	MD6396D			UTVX6396		
39				FA682TT		SXR682HH	FA682R	MD6396D*			UTVX6396*		
40				FA683TT		SXR683HH	FA683R						
41				FA682TT		SXR682HH	FA682R	MD6396D*			UTVX6396*		
42				FA683TT		SXR683HH	FA683R						
43				FA684TT			FA684R	MD6396D*			UTVX6396*		
44				FA685TT			FA685R						
45				FA684TT			FA684R	MD6396D*			UTVX6396*		
46				FA685TT			FA685R						
47				FA682TT		SXR682HH	FA682R	MD6396D*			UTVX6396*		
48				FA683TT		SXR683HH	FA683R						
49				FA684TT			FA684R	MD6396D*			UTVX6396*		
50				FA685TT			FA685R						
51				FA684TT			FA684R	MD6396D*			UTVX6396*		
52				FA685TT			FA685R						
53				FA684TT			FA684R	MD6396D*			UTVX6396*		
54				FA685TT			FA685R						
55				FA684TT			FA684R	MD6396D*			UTVX6396*		
56				FA685TT			FA685R						
57				FA684TT			FA684R	MD6396D*			UTVX6396*		
58				FA685TT			FA685R						
59				FA135TT			FA135R	MD6366D			UTVX6366		

REAR / ARRIÈRE / HINTEN / POSTERIOR / POSTERIORE

R Suffix = High Durability Sintered Pad. HH Suffix = High Performance Sintered Pad. TT Suffix = Hard Wearing Off Road Pad. V Suffix = Semi Sintered Pad. G Suffix = Grooved Shoe.
D Suffix = Drilled Disc. X Suffix = Universal Left or Right Disc. XC Suffix = Contoured Disc. LS Suffix = Left/Steel Disc. RS = Right/Steel Disc.

BRAKE APPLICATIONS

*-2 Sets Required. † For Vee disc colours add RED, BLU, GRN, GLD, ORG suffix to part number.

⊗ - Also available as a Vintage Motorcycle Disc. ★ - EPFA available. ⚙ Disc made of Billet steel. ♦ CE solid discs for Enduro use.

Part numbers, prefixes, suffixes, photos and illustrations shown in this catalogue are trademarks and/or copyrights of EBC Brakes or the trademark owner A C Freeman Investments Ltd and use without express written permission of the owners is punishable by law.

Non-JAPANESE Built Motorcycles



CAN AM SIDE X SIDE Contd.



DISC PAD CHOICES - FRONT

BRAKE DISC CHOICES - FRONT

FRONT / AVANT / VORN / FRENTE / ANTERIORE

FA, SFA, TT Pad or Brake Shoe	SFAC Carbon Scooter Pads	Speciality Pads - SXR / Vee / MXS	Sintered/HH Pads/ Grooved Shoes	Standard Replacement Discs	Contour Disc Universal Left and Right	Vee-Discs Black † See note below	CX Extreme Disc / UTVX Disc	OSX Oversize 250mm or 280mm
		SXR165HH	FA165R	MD6366D*			UTVX6366*	
FA135TT		SXR135HH	FA135R					
		SXR165HH	FA165R	MD6366D*			UTVX6366*	
FA135TT		SXR135HH	FA135R					
		SXR682HH	FA682R	MD6396D*			UTVX6396*	
FA683TT		SXR683HH	FA683R					
		SXR682HH	FA682R	MD6396D*				
FA683TT		SXR683HH	FA683R					
		SXR682HH	FA682R	MD6396D*				
FA683TT		SXR683HH	FA683R					
		SXR682HH	FA682R	MD6411D*			UTVX6411*	
FA683TT		SXR683HH	FA683R					
		SXR756HH*		MD6411D*			UTVX6411*	
		SXR682HH	FA682R	MD6411D*			UTVX6411*	
FA683TT		SXR683HH	FA683R					
		SXR682HH	FA682R	MD6411D*			UTVX6411*	
FA683TT		SXR683HH	FA683R					
		SXR682HH	FA682R	MD6411D*			UTVX6411*	
FA683TT		SXR683HH	FA683R					
		SXR682HH	FA682R	MD6411D*			UTVX6411*	
FA683TT		SXR683HH	FA683R					
		SXR682HH	FA682R	MD6411D*			UTVX6411*	
FA683TT		SXR683HH	FA683R					
		SXR682HH	FA682R	MD6396D*			UTVX6396*	
FA683TT		SXR683HH	FA683R					
		SXR682HH	FA682R	MD6396D*			UTVX6396*	
FA683TT		SXR683HH	FA683R					
		SXR682HH	FA682R	MD6396D*			UTVX6396*	
FA683TT		SXR683HH	FA683R					
		SXR682HH	FA682R	MD6396D*			UTVX6396*	
FA683TT		SXR683HH	FA683R					
		SXR682HH	FA682R	MD6396D*			UTVX6396*	
FA683TT		SXR683HH	FA683R					
		SXR682HH	FA682R	MD6396D*			UTVX6396*	
FA683TT		SXR683HH	FA683R					
		SXR682HH	FA682R	MD6396D*			UTVX6396*	
FA683TT		SXR683HH	FA683R					
		SXR165HH	FA165R	MD6411D*			UTVX6411*	
FA135TT		SXR135HH	FA135R					
		SXR165HH	FA165R	MD6411D*			UTVX6411*	
FA135TT		SXR135HH	FA135R					
		SXR165HH	FA165R	MD6411D*			UTVX6411*	
FA135TT		SXR135HH	FA135R					
		SXR165HH	FA165R	MD6411D*			UTVX6411*	
FA135TT		SXR135HH	FA135R					
		SXR165HH	FA165R	MD6411D*			UTVX6411*	
FA135TT		SXR135HH	FA135R					
		SXR682HH	FA682R	MD6396D*			UTVX6396*	
FA683TT		SXR683HH	FA683R					
		SXR682HH	FA682R	MD6396D*			UTVX6396*	
FA683TT		SXR683HH	FA683R					
		SXR682HH	FA682R	MD6411D*			UTVX6411*	
FA645TT			FA645R					
		SXR165HH	FA165R	MD6411D*			UTVX6411*	
FA135TT		SXR135HH	FA135R					
		SXR165HH	FA165R	MD6411D*			UTVX6411*	
FA135TT		SXR135HH	FA135R					
		SXR165HH	FA165R	MD6411D*			UTVX6411*	
FA135TT		SXR135HH	FA135R					
		SXR682HH	FA682R	MD6396D*			UTVX6396*	
FA683TT		SXR683HH	FA683R					
		SXR682HH	FA682R	MD6396D*			UTVX6396*	
FA683TT		SXR683HH	FA683R					
		SXR682HH	FA682R	MD6411D*			UTVX6411*	
FA645TT			FA645R					
		SXR682HH	FA682R	MD6411D*			UTVX6411*	
FA645TT			FA645R					
		SXR682HH	FA682R	MD6411D*			UTVX6411*	
FA645TT			FA645R					

Line #
1
2
3
4
5
6
7
8
9
10
11
12
13
14
15
16
17
18
19
20
21
22
23
24
25
26
27
28
29
30
31
32
33
34
35
36
37
38
39
40
41
42
43
44
45
46
47
48
49
50
51
52
53
54
55
56
57
58
59
60

R Suffix = High Durability Sintered Pad. HH Suffix = High Performance Sintered Pad. TT Suffix = Hard Wearing Off Road Pad. V Suffix = Semi Sintered Pad. G Suffix = Grooved Shoe.
D Suffix = Drilled Disc. X Suffix = Universal Left or Right Disc. XC Suffix = Contoured Disc. LS Suffix = Left/Steel Disc. RS = Right/Steel Disc.

*-2 Sets Required. † For Vee disc colours add RED, BLU, GRN, GLD, ORG suffix to part number.

⊗ - Also available as a Vintage Motorcycle Disc. ★ - EPFA available. ⚙ Disc made of Billet steel. ♦ CE solid discs for Enduro use.

Non-JAPANESE Built Motorcycles

BRAKE APPLICATIONS

Line #	BRAKE DISC CHOICES - FRONT			DISC PAD CHOICES - REAR				BRAKE DISC CHOICES - REAR					
	SMX Oversize 320mm Disc Kit Front Left	Front disc bolt kit	Front Brake Line	FA, SFA, TT Pad or Brake Shoe	SFAC Carbon Scooter Pads	Speciality Pads - SXR / Vee / MXS	Sintered HH/R Pads/ Grooved Shoes	Standard Replacement Disc	Contour Disc Rear Fitment	Vee Discs CONTOUR	CX Extreme MX Race Disc / UTVX Disc	Rear disc bolt kit	Rear Brake Line
1				FA135TT			FA135R	MD6366D			UTVX6366		
2													
3				FA135TT			FA135R	MD6366D			UTVX6366		
4													
5				FA682TT		SXR682HH	FA682R	MD6396D*			UTVX6396*		
6				FA683TT		SXR683HH	FA683R						
7				FA682TT		SXR682HH	FA682R	MD6396D*			UTVX6396*		
8				FA683TT		SXR683HH	FA683R						
9				FA682TT		SXR682HH	FA682R	MD6396D*			UTVX6396*		
10				FA683TT		SXR683HH	FA683R						
11				FA682TT		SXR682HH	FA682R	MD6412D*			UTVX6412*		
12				FA683TT		SXR683HH	FA683R						
13								MD6412D*			UTVX6412*		
14				FA682TT		SXR682HH	FA682R	MD6412D*			UTVX6412*		
15				FA683TT		SXR683HH	FA683R						
16				FA682TT		SXR682HH	FA682R	MD6412D*			UTVX6412*		
17				FA683TT		SXR683HH	FA683R						
18				FA682TT		SXR682HH	FA682R	MD6412D*			UTVX6412*		
19				FA683TT		SXR683HH	FA683R						
20				FA682TT		SXR682HH	FA682R	MD6412D*			UTVX6412*		
21				FA683TT		SXR683HH	FA683R						
22				FA682TT		SXR682HH	FA682R	MD6412D*			UTVX6412*		
23				FA683TT		SXR683HH	FA683R						
24				FA684TT			FA684R	MD6396D*			UTVX6396*		
25				FA685TT			FA685R						
26				FA684TT			FA684R	MD6396D*			UTVX6396*		
27				FA685TT			FA685R						
28				FA684TT			FA684R	MD6396D*			UTVX6396*		
29				FA685TT			FA685R						
30				FA684TT			FA684R	MD6396D*			UTVX6396*		
31				FA685TT			FA685R						
32				FA684TT			FA684R	MD6396D*			UTVX6396*		
33				FA685TT			FA685R						
34				FA684TT			FA684R	MD6396D*			UTVX6396*		
35				FA685TT			FA685R						
36				FA682TT		SXR682HH	FA682R	MD6396D*			UTVX6396*		
37				FA683TT		SXR683HH	FA683R						
38				FA135TT			FA135R	MD6366D			UTVX6366		
39													
40				FA135TT			FA135R	MD6366D			UTVX6366		
41													
42				FA307TT			FA307R	MD6370D*			UTVX6370*		
43				FA317TT			FA317R						
44				FA135TT			FA135R	MD6366D			UTVX6366		
45													
46				FA135TT			FA135R	MD6366D			UTVX6366		
47													
48				FA135TT			FA135R	MD6366D			UTVX6366		
49													
50				FA135TT			FA135R	MD6366D			UTVX6366		
51													
52				FA682TT		SXR682HH	FA682R	MD6396D*			UTVX6396*		
53				FA683TT		SXR683HH	FA683R						
54				FA682TT		SXR682HH	FA682R	MD6396D*			UTVX6396*		
55				FA683TT		SXR683HH	FA683R						
56				FA307TT			FA307R	MD6370D*			UTVX6370*		
57				FA317TT			FA317R						
58				FA307TT			FA307R	MD6370D*			UTVX6370*		
59				FA317TT			FA317R						
60													

REAR / ARRIÈRE / HINTEN / POSTERIOR / POSTERIORE

R Suffix = High Durability Sintered Pad. **HH** Suffix = High Performance Sintered Pad. **TT** Suffix = Hard Wearing Off Road Pad. **V** Suffix = Semi Sintered Pad. **G** Suffix = Grooved Shoe.
D Suffix = Drilled Disc. **X** Suffix = Universal Left or Right Disc. **XC** Suffix = Contoured Disc. **LS** Suffix = Left/Steel Disc. **RS** = Right/Steel Disc.

*-2 Sets Required. † For Vee disc colours add RED, BLU, GRN, GLD, ORG suffix to part number.

⊙ - Also available as a Vintage Motorcycle Disc. ★ - EPFA available. ⚙ Disc made of Billet steel. ♦ CE solid discs for Enduro use.

Part numbers, prefixes, suffixes, photos and illustrations shown in this catalogue are trademarks and/or copyrights of EBC Brakes or the trademark owner A C Freeman Investments Ltd and use without express written permission of the owners is punishable by law.

Non-JAPANESE Built Motorcycles



CAN AM SIDE X SIDE Contd.



Model	Side	Year
Maverick 1000 R Xmr	Left	2014-2019
	Right	
Maverick 1000 R Xrs DPS	Left	2014-2015
	Right	
Maverick 1000 R Xxc	Left	2014-2015
	Right	
Maverick Max 1000	Left	2016-2016
	Right	
Maverick Max 1000 STD XDS and Xrs DPS	Left	2014-2016
	Right	
Maverick Trail 1000 EFI	Left	2018
	Right	
Traxter HD10	Left	2017-2019
	Right	
Traxter HD10 Max	Left	2018-2021
	Right	
Traxter T HD10	Left	2018-2021
	Right	
Commander Electric 9KW R		2013-2015

CANNONDALE

FX 400	Left	2001
	Right	
Blaze 440	Left	2002-2003
	Right	
Cannibal 440	Left	2002-2003
	Right	
Moto 440	Left	2002-2003
	Right	
Speed/Glamis 440	Left	2002-2003
	Right	

CCM

C-XR 125 E		2008-2009
C-XR 125 M		2007-2009
C-XR 125 S		2008-2009
RL 125		2008-2009
SM 125		2008-2009
TL 125		2008-2009
C-XR 230 E		2007-2009
C-XR 230 M		2007-2009
C-XR 230 S		2007-2009
XTR 250		2009
LX 350-4A Quad		2008-2009
R 35/R 35 S		2007-2009
CR 40 Café Racer		2007-2008
CR 40 S Café Racer		2007-2008
FT 35 S 400cc		2007-2009
SR 40 Street Scrambler		2007-2009
404 DS		2003-2004
404 DS Supermoto		2003-2004
404 DS Supermoto		2007-2009
404 DS Trail		2007-2009
404 E		2003-2004
450 DS Trail		2007-2009
CMX 450 MX		2008
GP 450 4T		2013-2015
R 45 S		2007-2009
600 Bobber		2023-2024
600 Heritage 71		2023-2024

FRONT / AVANT / VORN / FRENTE / ANTERIORE

DISC PAD CHOICES - FRONT				BRAKE DISC CHOICES - FRONT					Line #
FA, SFA, TT Pad or Brake Shoe	SFAC Carbon Scooter Pads	Speciality Pads - SXR / Vee / MXS	Sintered/HH Pads/ Grooved Shoes	Standard Replacement Discs	Contour Disc Universal Left and Right	Vee-Discs Black † See note below	CX Extreme Disc / UTVX Disc	OSX Oversize 250mm or 280mm	
			FA642R	MD6411D*			UTVX6411*		1
FA645TT			FA645R						2
			FA642R	MD6411D*			UTVX6411*		3
FA645TT			FA645R						4
			FA642R	MD6411D*			UTVX6411*		5
FA645TT			FA645R						6
			FA642R	MD6411D*			UTVX6411*		7
FA645TT			FA645R						8
			FA642R	MD6411D*			UTVX6411*		9
FA645TT			FA645R						10
		SXR682HH	FA682R	MD6396D*			UTVX6396*		11
FA683TT		SXR683HH	FA683R						12
		SXR682HH	FA682R	MD6396D*					13
FA683TT		SXR683HH	FA683R						14
		SXR682HH	FA682R	MD6396D*					15
FA683TT		SXR683HH	FA683R						16
		SXR682HH	FA682R	MD6396D*					17
FA683TT		SXR683HH	FA683R						18
			FA468R*	MD6222D*			UTVX6222*		19
									20
									21
FA307TT			FA307R						22
FA317TT			FA317R						23
FA307TT			FA307R						24
FA317TT			FA317R						25
FA307TT			FA307R						26
FA317TT			FA317R						27
FA307TT			FA307R						28
FA317TT			FA317R						29
FA307TT			FA307R						30
FA317TT			FA317R						31
									32
									33
FA086			FA086HH						34
FA086			FA086HH						35
FA086			FA086HH						36
FA197			FA197HH★						37
FA197			FA197HH★						38
FA086			FA086HH						39
FA086			FA086HH						40
FA086			FA086HH						41
FA086			FA086HH						42
FA086			FA086HH						43
FA054TT*			FA054R*						44
FA181TT		MXS181	FA181R						45
FA095			FA095HH★	MD813					46
FA095			FA095HH★						47
FA181TT		MXS181	FA181R						48
FA194			FA194HH						49
FA181TT		MXS181	FA181R	MD6260D					50
FA181TT		MXS181	FA181R	MD6209D					51
FA181TT		MXS181	FA181R						52
FA181TT		MXS181	FA181R						53
FA181TT		MXS181	FA181R	MD6260D					54
FA181TT		MXS181	FA181R						55
FA181TT		MXS181	FA181R						56
FA181TT		MXS181	FA181R						57
FA181TT		MXS181	FA181R						58
			FA244HH						59
			FA630HH*						60

*-2 Sets Required. † For Vee disc colours add RED, BLU, GRN, GLD, ORG suffix to part number.

⊗ - Also available as a Vintage Motorcycle Disc. ★ - EPFA available. ⚙ - Disc made of Billet steel. ♦ - CE solid discs for Enduro use.

Non-JAPANESE Built Motorcycles

Line #	BRAKE DISC CHOICES - FRONT			DISC PAD CHOICES - REAR				BRAKE DISC CHOICES - REAR					
	SMX Oversize 320mm Disc Kit Front Left	Front disc bolt kit	Front Brake Line	FA, SFA, TT Pad or Brake Shoe	SFAC Carbon Scooter Pads	Speciality Pads - SXR / Vee / MXS	Sintered HH/R Pads/ Grooved Shoes	Standard Replacement Disc	Contour Disc Rear Fitment	Vee Discs CONTOUR	CX Extreme MX Race Disc / UTVX Disc	Rear disc bolt kit	Rear Brake Line
1				FA307TT			FA307R	MD6370D*			UTVX6370*		
2				FA317TT			FA317R						
3				FA307TT			FA307R	MD6370D*			UTVX6370*		
4				FA317TT			FA317R						
5				FA307TT			FA307R	MD6370D*			UTVX6370*		
6				FA317TT			FA317R						
7				FA307TT			FA307R	MD6370D*			UTVX6370*		
8				FA317TT			FA317R						
9				FA307TT			FA307R	MD6370D*			UTVX6370*		
10				FA317TT			FA317R						
11				FA682TT		SXR682HH	FA682R	MD6396D*			UTVX6396*		
12				FA683TT		SXR683HH	FA683R						
13				FA682TT		SXR682HH	FA682R	MD6396D*			UTVX6396*		
14				FA683TT		SXR683HH	FA683R						
15				FA682TT		SXR682HH	FA682R	MD6396D*			UTVX6396*		
16				FA683TT		SXR683HH	FA683R						
17				FA682TT		SXR682HH	FA682R	MD6396D*			UTVX6396*		
18				FA683TT		SXR683HH	FA683R						
19													
20													
21													
22				FA307TT			FA307R						
23				FA307TT			FA307R						
24				FA307TT			FA307R						
25				FA307TT			FA307R						
26				FA307TT			FA307R						
27				FA307TT			FA307R						
28				FA307TT			FA307R						
29				FA307TT			FA307R						
30				FA307TT			FA307R						
31													
32													
33													
34				FA054TT			FA054HH						
35				FA054TT			FA054HH						
36				FA054TT			FA054HH						
37													
38				FA197			FA197HH★						
39				FA197			FA197HH★						
40				FA054TT			FA054HH						
41				FA054TT			FA054HH						
42				FA054TT			FA054HH						
43				FA101									
44				FA083TT			FA083R						
45				FA208TT		MXS208	FA208R						
46				FA213			FA213HH★	MD6276D					
47				FA213			FA213HH★	MD6276D					
48				FA208TT		MXS208	FA208R						
49				FA213			FA213HH★						
50				FA208TT		MXS208	FA208R	MD6276D					
51				FA208TT		MXS208	FA208R	MD6276D					
52				FA208TT		MXS208	FA208R						
53				FA208TT		MXS208	FA208R						
54				FA208TT		MXS208	FA208R	MD6276D					
55				FA208TT		MXS208	FA208R						
56				FA208TT		MXS208	FA208R						
57				FA368TT		MXS368	FA368R						
58				FA208TT		MXS208	FA208R	MD6276D					
59							FA213HH★						
60							FA213HH★						

REAR / ARRIÈRE / HINTEN / POSTERIOR / POSTERIORE

R Suffix = High Durability Sintered Pad. HH Suffix = High Performance Sintered Pad. TT Suffix = Hard Wearing Off Road Pad. V Suffix = Semi Sintered Pad. G Suffix = Grooved Shoe.
D Suffix = Drilled Disc. X Suffix = Universal Left or Right Disc. XC Suffix = Contoured Disc. LS Suffix = Left/Steel Disc. RS = Right/Steel Disc.

BRAKE APPLICATIONS

*-2 Sets Required. † For Vee disc colours add RED, BLU, GRN, GLD, ORG suffix to part number.
⊗ - Also available as a Vintage Motorcycle Disc. ★ - EPFA available. ⚙ Disc made of Billet steel. ♦ CE solid discs for Enduro use.

Non-JAPANESE Built Motorcycles



CCM Contd.



DISC PAD CHOICES - FRONT

BRAKE DISC CHOICES - FRONT

R Suffix = High Durability Sintered Pad. **HH** Suffix = High Performance Sintered Pad. **TT** Suffix = Hard Wearing Off Road Pad. **V** Suffix = Semi Sintered Pad. **G** Suffix = Grooved Shoe.
D Suffix = Drilled Disc. **X** Suffix = Universal Left or Right Disc. **XC** Suffix = Contoured Disc. **LS** Suffix = Left/Steel Disc. **RS** = Right/Steel Disc.

Model	Year	FA, SFA, TT Pad or Brake Shoe	SFAC Carbon Scooter Pads	Speciality Pads - SXR / Vee / MXS	Sintered/HH Pads/ Grooved Shoes	Standard Replacement Discs	Contour Disc Universal Left and Right	Vee-Discs Black † See note below	CX Extreme Disc / UTVX Disc	OSX Oversize 250mm or 280mm	Line #
600 Maverick	2021-2022				FA630HH★						1
600 Maverick	2023-2024				FA244HH						2
600 Roadster	2023-2024				FA244HH						3
600 Spitfire Scrambler	2019				FA209/2HH★						4
600 Spitfire	2019				FA630HH★						5
600 Spitfire Bobber R	2019-2022				FA630HH★						6
600 Spitfire Bobber Stealth Edition	2019-2022				FA630HH★						7
600 Spitfire Flat Tracker R	2019-2020				FA630HH★						8
600 Spitfire Foggy Edition R	2019-2020				FA630HH★						9
600 Spitfire Foggy Edition S	2019-2020				FA630HH★						10
600 Spitfire Foggy Stealth Edition R	2019-2020				FA630HH★						11
600 Spitfire RAFBF 100 R	2019-2020				FA630HH★						12
600 Spitfire RAFBF 100 R	2023-2024				FA630HH*						13
600 Spitfire Six R	2019-2022				FA630HH★						14
600 Spitfire Six Stealth Edition	2019-2022				FA630HH★						15
600 Spitfire Stealth R	2019-2020				FA630HH★						16
600 Street Moto	2021-2022				FA630HH★						17
600 Street Tracker	2021-2022				FA630HH★						18
600 Tracker	2023-2024				FA244HH						19
604 E DS Dual Sport/Trail	1998-2003	FA181TT		MXS181	FA181R	MD6260D					20
604 E Supermoto	1999-2003	FA181TT		MXS181	FA181R	MD6209D					21
604 RS Roadster	2000-2003	FA181TT		MXS181	FA181R	MD6209D					22
644 DS	2004	FA181TT		MXS181	FA181R	MD6209D					23
644 DS Supermoto	2004	FA181TT		MXS181	FA181R	MD6209D					24
R 30 604/644	2002-2004	FA181TT		MXS181	FA181R	MD6209D					25
R 30 604/644	2002-2004	FA181TT		MXS181	FA181R	MD6306D					26
FT 650	2008	FA181TT		MXS181	FA181R						27
LX 700-4A Quad	2008-2009	FA054TT*			FA054R*						28
	Left										29
	Right										29
FT 710 S Flat Tracker	2008-2009	FA181TT		MXS181	FA181R						30
											31
											32
											33
											34
											35
											36
											37
											38
											39
											40
											41
											42
											43
											44
											45
											46
											47
											48
											49
											50
											51
											52
											53
											54
											55
											56
											57
											58
											59
											60

*-2 Sets Required. † For Vee disc colours add RED, BLU, GRN, GLD, ORG suffix to part number.

⊗ - Also available as a Vintage Motorcycle Disc. ★ - EPFA available. ⚙ Disc made of Billet steel. ◆ CE solid discs for Enduro use.

Non-JAPANESE Built Motorcycles

Line #	BRAKE DISC CHOICES - FRONT			DISC PAD CHOICES - REAR				BRAKE DISC CHOICES - REAR					
	SMX Oversize 320mm Disc Kit Front Left	Front disc bolt kit	Front Brake Line	FA, SFA, TT Pad or Brake Shoe	SFAC Carbon Scooter Pads	Speciality Pads - SXR / Vee / MXS	Sintered HH/R Pads/ Grooved Shoes	Standard Replacement Disc	Contour Disc Rear Fitment	Vee Discs CONTOUR	CX Extreme MX Race Disc / UTVX Disc	Rear disc bolt kit	Rear Brake Line
1							FA208R						
2							FA213HH★						
3							FA213HH★						
4							FA368R						
5							FA208R						
6							FA208R						
7							FA208R						
8							FA368R						
9							FA208R						
10							FA208R						
11							FA208R						
12							FA208R						
13							FA213HH★						
14							FA208R						
15							FA208R						
16							FA208R						
17							FA208R						
18							FA208R						
19							FA213HH★						
20						FA208TT	MXS208	FA208R	MD6276D				
21						FA208TT	MXS208	FA208R	MD6276D				
22						FA208TT	MXS208	FA208R	MD6276D				
23						FA208TT	MXS208	FA208R	MD6276D				
24						FA208TT	MXS208	FA208R	MD6276D				
25						FA208TT	MXS208	FA208R	MD6276D				
26						FA208TT	MXS208	FA208R	MD6276D				
27						FA208TT	MXS208	FA208R	MD6276D				
28						FA344TT		FA344R					
29						FA208TT							
30						FA208TT	MXS208	FA208R					
31													
32													
33						FA067TT*		FA067R					
34						FA067TT*		FA067R					
35						FA067TT*		FA067R					
36						FA067TT*		FA067R					
37													
38													
39													
40													
41						SFA343							
42						S602							
43													
44													
45													
46						FA140		FA140HH	MD6276D				
47						FA140		FA140HH	MD6276D				
48						FA140		FA140HH					
49						FA101TT							
50						FA344TT							
51						FA140		FA140HH					
52						FA140		FA140HH					
53						FA140		FA140HH					
54						FA140		FA140HH					
55						FA344TT		FA344R					
56								FA747R*					
57						FA344TT		FA344R					
58						FA344TT		FA344R					
59								FA747R*					
60								FA747R*					

REAR / ARRIÈRE / HINTEN / POSTERIOR / POSTERIORE

R Suffix = High Durability Sintered Pad. **HH** Suffix = High Performance Sintered Pad. **TT** Suffix = Hard Wearing Off Road Pad. **V** Suffix = Semi Sintered Pad. **G** Suffix = Grooved Shoe.
D Suffix = Drilled Disc. **X** Suffix = Universal Left or Right Disc. **XC** Suffix = Contoured Disc. **LS** Suffix = Left/Steel Disc. **RS** = Right/Steel Disc.

BRAKE APPLICATIONS

*-2 Sets Required. † For Vee disc colours add RED, BLU, GRN, GLD, ORG suffix to part number.

⊙ - Also available as a Vintage Motorcycle Disc. ★ - EPFA available. ⚙ - Disc made of Billet steel. ♦ - CE solid discs for Enduro use.

Part numbers, prefixes, suffixes, photos and illustrations shown in this catalogue are trademarks and/or copyrights of EBC Brakes or the trademark owner A C Freeman Investments Ltd and use without express written permission of the owners is punishable by law.

Non-JAPANESE Built Motorcycles



CF MOTO Contd.



DISC PAD CHOICES - FRONT

BRAKE DISC CHOICES - FRONT

FRONT / AVANT / VORN / FRENTE / ANTERIORE

FA, SFA, TT Pad or Brake Shoe	SFAC Carbon Scooter Pads	Speciality Pads - SXR / Vee / MXS	Sintered/HH Pads/ Grooved Shoes	Standard Replacement Discs	Contour Disc Universal Left and Right	Vee-Discs Black † See note below	CX Extreme Disc / UTVX Disc	OSX Oversize 250mm or 280mm
CF 400 AU-L	2015-2020		FA453TT*					
CF 400 AU-SF and LF Gen 2	2021-2022		FA726TT*					
450 SR	2022-2023		FA630					
CF 450 C-Force All Models	2018-2023		FA726TT*					
CF 500 3	Left 2011-2015							
	Right		FA165TT					
CF 500 5B/5C C-Force 500 Classic	2014-2015		FA453TT*					
CF 500 AU-6L C-Force 550 - ATV	2015		FA453TT*					
CF 500 C-Force All Models	2011-2019		FA453TT*					
CF 500 C-Force All Models Gen 2	2016-2017		FA726TT*					
CF 500 C-Force X5 Terralander	2011-2015		FA453TT*					
CF 500 US U-Force	Left 2015-2018							
	Right		FA165TT					
CF 500 US-EX U-Force	2018-2020		FA726TT*					
CF 500 US-EX Z-Force	2018-2020		FA726TT*					
CF 500 US-EX Z-Force	Left 2019							
	Right		FA165TT					
CF 500 Z-Force	Left 2014-2016							
	Right		FA165TT					
CF 520 C-Force All Models	2016-2021		FA453TT*					
CF 520 C-Force All Models Gen 2	2021-2022		FA726TT*					
CF 550 C-Force ATR-A and 3 models	2015-2019		FA453TT*					
CF 550 C-Force AU-6L	2014-2015		FA453TT*					
CF 550 C-Force AU-6L	2018-2019		FA453TT*					
CF 550 C-Force AU-6L	2018-2019		FA726TT*					
CF550 U-Force	Left 2014-2017							
	Right		FA165TT					
CF550 US and UTR-EX Z-Force	2018-2022		FA726TT*					
CF550 US-EX Z-Force	Left 2016-2020							
	Right		FA165TT					
CF550 UTR-2 U-Force	2017-2020		FA726TT*					
CF 600 3, 6 Z6-EX	Left 2012-2016							
	Right		FA165TT					
CF 600 5 U-Force	Left 2011-2015							
	Right		FA165TT					
CF 600 ATR-L T3b	2018-2020		FA726TT*					
CF 600 AU-3L	2020		FA726TT*					
CF 600 UTR U-Force	2021-2023		FA726TT*					
UF 600 U-Force EPS	2021-2022		FA726TT*					
CF 625 3, 6 625 Z-Force	Left 2012-2016							
	Right		FA165TT					
CF 625 ATR 2L	2020-2023		FA726TT*					
CF 625 ATR 2SC	2020-2023		FA726TT*					
CF 625 AU-3SF and 3LF	2021-2023		FA726TT*					
CF 625 C-Force X6 Terralander	2011-2015		FA453TT*					
650 7B NK	2017-2023		FA209/2*					
650 GT	Left 2020-2023		FA229	FA229V	FA229HH★		MD4152XC*	
	Right		FA231	FA231V	FA231HH★			
650 MT	Left 2020-2023		FA229	FA229V	FA229HH★			
	Right		FA231	FA231V	FA231HH★			
650 NK	Left 2012-2016		FA229	FA229V	FA229HH★		MD4152XC*	
	Right		FA231	FA231V	FA231HH★			
650 TK	Left 2013-2015		FA229	FA229V	FA229HH★		MD4152XC*	
	Right		FA231	FA231V	FA231HH★			
650 TR	Left 2013-2014		FA229	FA229V	FA229HH★		MD4152XC*	
	Right		FA231	FA231V	FA231HH★			
CLX 700 Adventure	2021-2023		FA244	FA244V	FA244HH★			
CLX 700 Adventure Heritage and Sport models	2021-2023		FA244	FA244V	FA244HH★			
CLX 700 Sport	2021-2023				FA447HH*★			
CF 800 2	2012-2017		FA453TT*					

Line #

1

2

3

4

5

6

7

8

9

10

11

12

13

14

15

16

17

18

19

20

21

22

23

24

25

26

27

28

29

30

31

32

33

34

35

36

37

38

39

40

41

42

43

44

45

46

47

48

49

50

51

52

53

54

55

56

57

58

59

60

R Suffix = High Durability Sintered Pad. HH Suffix = High Performance Sintered Pad. TT Suffix = Hard Wearing Off Road Pad. V Suffix = Semi Sintered Pad. G Suffix = Grooved Shoe.
D Suffix = Drilled Disc. X Suffix = Universal Left or Right Disc. XC Suffix = Contoured Disc. LS Suffix = Left/Steel Disc. RS = Right/Steel Disc.

*-2 Sets Required. † For Vee disc colours add RED, BLU, GRN, GLD, ORG suffix to part number.

⊙ - Also available as a Vintage Motorcycle Disc. ★ - EPFA available. ⊕ Disc made of Billet steel. ◆ CE solid discs for Enduro use.

Non-JAPANESE Built Motorcycles

Line #	BRAKE DISC CHOICES - FRONT			DISC PAD CHOICES - REAR				BRAKE DISC CHOICES - REAR					
	SMX Oversize 320mm Disc Kit Front Left	Front disc bolt kit	Front Brake Line	FA, SFA, TT Pad or Brake Shoe	SFAC Carbon Scooter Pads	Speciality Pads - SXR / Vee / MXS	Sintered HH/R Pads/ Grooved Shoes	Standard Replacement Disc	Contour Disc Rear Fitment	Vee Discs CONTOUR	CX Extreme MX Race Disc / UTVX Disc	Rear disc bolt kit	Rear Brake Line
1				FA344TT			FA344R						
2							FA747R*						
3				FA213			FA213HH						
4							FA747R*						
5				FA344TT			FA344R						
6													
7				FA344TT			FA344R						
8				FA135TT			FA344R						
9				FA344TT			FA344R						
10				FA344TT			FA344R						
11				FA344TT			FA344R						
12				FA651TT*			FA651R*						
13													
14							FA747R*						
15							FA747R*						
16				FA651TT*			FA651R*						
17													
18				FA651TT			FA651R						
19													
20				FA344TT			FA344R						
21				FA344TT			FA344R						
22				FA344TT			FA344R						
23							FA317R						
24				FA344TT			FA344R						
25				FA344TT			FA344R						
26				FA067TT*			FA067R*						
27													
28							FA747R*						
29				FA651TT*			FA651R*						
30													
31							FA747R*						
32				FA651TT*			FA651R*						
33													
34				FA344TT			FA344R						
35													
36				FA344TT			FA344R						
37							FA747R*						
38							FA747R*						
39							FA747R						
40				FA651TT*			FA651R*						
41													
42							FA747R*						
43							FA747R*						
44							FA747R*						
45				FA344TT			FA344R						
46				FA192		FA192V	FA192HH						
47				FA213		FA213V	FA213HH						
48													
49				FA213		FA213V	FA213HH						
50													
51				FA344TT			FA344R						
52													
53				FA192		FA192V	FA192HH						
54													
55				FA192		FA192V	FA192HH						
56													
57				FA140		FA140V	FA140HH						
58				FA140		FA140V	FA140HH						
59							FA140HH						
60				FA344TT			FA344R						

REAR / ARRIÈRE / HINTEN / POSTERIOR / POSTERIORE

R Suffix = High Durability Sintered Pad. **HH** Suffix = High Performance Sintered Pad. **TT** Suffix = Hard Wearing Off Road Pad. **V** Suffix = Semi Sintered Pad. **G** Suffix = Grooved Shoe.
D Suffix = Drilled Disc. **X** Suffix = Universal Left or Right Disc. **XC** Suffix = Contoured Disc. **LS** Suffix = Left/Steel Disc. **RS** = Right/Steel Disc.

BRAKE APPLICATIONS

*-2 Sets Required. † For Vee disc colours add RED, BLU, GRN, GLD, ORG suffix to part number.

⊙ - Also available as a Vintage Motorcycle Disc. ★ - EPFA available. Ⓢ Disc made of Billet steel. ◆ CE solid discs for Enduro use.

Part numbers, prefixes, suffixes, photos and illustrations shown in this catalogue are trademarks and/or copyrights of EBC Brakes or the trademark owner A C Freeman Investments Ltd and use without express written permission of the owners is punishable by law.

Non-JAPANESE Built Motorcycles



CF MOTO Contd.



			DISC PAD CHOICES - FRONT				BRAKE DISC CHOICES - FRONT					
			FA, SFA, TT Pad or Brake Shoe	SFAC Carbon Scooter Pads	Speciality Pads - SXR / Vee / MXS	Sintered/HH Pads/ Grooved Shoes	Standard Replacement Discs	Contour Disc Universal Left and Right	Vee-Discs Black † See note below	CX Extreme Disc / UTVX Disc	OSX Oversize 250mm or 280mm	Line #
CF 800 3 Tracker and U-Force	Left	2013-2019				FA135R						1
	Right		FA165TT			FA165R						2
CF 800 3 Tracker and U-Force -		2018-2020	FA726TT*			FA726R*						3
CF 800 ATR		2016	FA453TT*			FA453R*						4
CF 800 AU-2B		2016-2018	FA726TT*			FA726R*						5
CF 800 EX Z-Force		2018-2021	FA726TT*			FA726R*						6
CF 800 UTR Z-Force		2017-2019	FA726TT*			FA726R*						7
CF 800 UTR-2 U-Force		2017-2021	FA726TT*			FA726R*						8
CF 800 UU-A Tracker and U-Force	Left	2016-2017				FA135R						9
	Right		FA165TT			FA165R						10
CF 800 UU-A U-Force	Left	2014-2020				FA135R						11
	Right		FA165TT			FA165R						12
CF 800 UU-A U-Force 800 - Side x Side	Left	2014-2016				FA135R						13
	Right		FA165TT			FA165R						14
CF 800 Z8 and Z-Force	Left	2013-2021				FA135R						15
	Right		FA165TT			FA165R						16
MT 800 All Models		2021-2023	FA244*		FA244V*	FA244HH*★						17
NK 800 Sport		2022-2023	FA244*		FA244V*	FA244HH*★						18
CF 820 AU-2B		2016-2018	FA726TT*			FA726R*						19
CF 850 All Models		2017-2022	FA726TT*			FA726R*						20
ZF 950 Z-Force		2020	FA726TT*			FA726R*						21
CF 1000 C-Force All Models		2018-2023	FA726TT*			FA726R*						22
CF 1000 C-Force EPS Inc Overland		2021-2022	FA726TT*			FA726R*						23
CF 1000 UTR-3 U-Force		2018-2023	FA726TT*			FA726R*						24
CF 1000 Z-Force All Models		2017-2023	FA726TT*			FA726R*						25
UF 1000 U-Force		2018-2023	FA726TT*			FA726R*						26
												27
												28
CH RACING												29
WSM 50 Motard Motard		2005	FA167			FA167HH						30
WXE 50 Enduro Enduro		2005	FA167			FA167HH						31
WSM 125 Motard Motard		2005	FA167			FA167HH						32
WXE 125 Enduro Enduro		2005	FA167			FA167HH						33
												34
												35
												36
												37
												38
												39
												40
												41
												42
												43
												44
												45
												46
												47
												48
												49
												50
												51
												52
												53
												54
												55
												56
												57
												58
												59
												60

FRONT / AVANT / VORN / FRENTE / ANTERIORE

R Suffix = High Durability Sintered Pad. HH Suffix = High Performance Sintered Pad. TT Suffix = Hard Wearing Off Road Pad. V Suffix = Semi Sintered Pad. G Suffix = Grooved Shoe.
D Suffix = Drilled Disc. X Suffix = Universal Left or Right Disc. XC Suffix = Contoured Disc. LS Suffix = Left/Steel Disc. RS = Right/Steel Disc.

*-2 Sets Required. † For Vee disc colours add RED, BLU, GRN, GLD, ORG suffix to part number.

⊗ - Also available as a Vintage Motorcycle Disc. ★ - EPFA available. ⚙ Disc made of Billet steel. ♦ CE solid discs for Enduro use.

190 Part numbers, prefixes, suffixes, photos and illustrations shown in this catalogue are trademarks and/or copyrights of EBC Brakes or the trademark owner A C Freeman Investments Ltd and use without express written permission of the owners is punishable by law.

Non-JAPANESE Built Motorcycles

Line #	BRAKE DISC CHOICES - FRONT			DISC PAD CHOICES - REAR				BRAKE DISC CHOICES - REAR					
	SMX Oversize 320mm Disc Kit Front Left	Front disc bolt kit	Front Brake Line	FA, SFA, TT Pad or Brake Shoe	SFAC Carbon Scooter Pads	Speciality Pads - SXR / Vee / MXS	Sintered HH/R Pads/ Grooved Shoes	Standard Replacement Disc	Contour Disc Rear Fitment	Vee Discs CONTOUR	CX Extreme MX Race Disc / UTVX Disc	Rear disc bolt kit	Rear Brake Line
1				FA067TT*			FA067R*						
2													
3							FA747R*						
4				FA344TT			FA344R						
5							FA747R*						
6							FA747R*						
7							FA747R*						
8							FA747R*						
9				FA067TT*			FA067R*						
10													
11				FA067TT*			FA067R*						
12													
13				FA067TT*			FA067R						
14													
15				FA651TT*			FA651R*						
16													
17				FA181TT		FA181V	FA181HH						
18				FA181TT		FA181V	FA181HH						
19							FA747R*						
20							FA747R*						
21							FA651R						
22							FA747R*						
23							FA747R						
24							FA747R*						
25							FA747R*						
26							FA747R						
27													
28													
29				FA115			FA115HH						
30				FA115			FA115HH						
31				FA115			FA115HH						
32				FA115			FA115HH						
33													
34													
35							H338G*						
36							H338G*						
37													
38													
39				FA115									
40				FA115									
41													
42													
43				Y503									
44				Y503									
45				Y503									
46				Y503									
47				Y503									
48				Y503									
49				Y503									
50				Y503									
51				Y503									
52				Y503									
53				Y503									
54				Y503									
55				Y503									
56				SFA260	SFAC260		SFA260HH						
57				SFA298	SFAC298		SFA298HH						
58				Y503									
59				Y503									
60				Y504									

REAR / ARRIÈRE / HINTEN / POSTERIOR / POSTERIORE

R Suffix = High Durability Sintered Pad. **HH** Suffix = High Performance Sintered Pad. **TT** Suffix = Hard Wearing Off Road Pad. **V** Suffix = Semi Sintered Pad. **G** Suffix = Grooved Shoe.
D Suffix = Drilled Disc. **X** Suffix = Universal Left or Right Disc. **XC** Suffix = Contoured Disc. **LS** Suffix = Left/Steel Disc. **RS** = Right/Steel Disc.

BRAKE APPLICATIONS

*-2 Sets Required. † For Vee disc colours add RED, BLU, GRN, GLD, ORG suffix to part number.

⊙ - Also available as a Vintage Motorcycle Disc. ★ - EPFA available. ⊕ Disc made of Billet steel. ◆ CE solid discs for Enduro use.

Part numbers, prefixes, suffixes, photos and illustrations shown in this catalogue are trademarks and/or copyrights of EBC Brakes or the trademark owner A C Freeman Investments Ltd and use without express written permission of the owners is punishable by law.

Non-JAPANESE Built Motorcycles



CPI Contd.



DISC PAD CHOICES - FRONT

BRAKE DISC CHOICES - FRONT

R Suffix = High Durability Sintered Pad. HH Suffix = High Performance Sintered Pad. TT Suffix = Hard Wearing Off Road Pad. V Suffix = Semi Sintered Pad. G Suffix = Grooved Shoe.
D Suffix = Drilled Disc. X Suffix = Universal Left or Right Disc. XC Suffix = Contoured Disc. LS Suffix = Left/Steel Disc. RS = Right/Steel Disc.

FRONT / AVANT / VORN / FRENTE / ANTERIORE

		FA, SFA, TT Pad or Brake Shoe	SFAC Carbon Scooter Pads	Speciality Pads - SXR / Vee / MXS	Sintered/HH Pads/ Grooved Shoes	Standard Replacement Discs	Contour Disc Universal Left and Right	Vee-Discs Black † See note below	CX Extreme Disc / UTVX Disc	OSX Oversize 250mm or 280mm	Line #
SM 50	2011-2012	FA115TT			FA115R						1
SM 50 Black Tiger	2008-2009	FA115			FA115HH						2
Supercross 50	2003-2009	FA115			FA115R						3
Supermoto 50	2006-2009	FA115			FA115HH						4
Supermoto 50 SMX	2003-2008	FA115			FA115R						5
SX 50	2006-2007	FA194			FA194HH						6
SX 50	2011-2012	FA115TT			FA115R						7
XT 50 Quad	2006-2009	Y503*			Y503G*						8
Quad 50/100cc Crab	2003-2004	H338*			H338G*						9
125 Prince	2001	FA197			FA197HH★						10
Aragon GP 125	2007-2008	SFA235	SFAC235								11
Aragon S-Line 125	2007-2012	SFA235	SFAC235								12
Bravo 125	2012	SFA086	SFAC083		SFA086HH						13
GTR 125	2002	SFA194	SFAC194		SFA194HH						14
GTR 125	2003-2013	SFA266	SFAC266		SFA266HH						15
Oliver 125	2006-2012	SFA235	SFAC235								16
SM 125	2011-2012	FA115TT			FA115R						17
SX 125	2011-2012	FA115TT			FA115R						18
XR 125 Sprint	2012	FA086			FA086HH						19
GTR 150	2002	SFA194	SFAC194		SFA194HH						20
GTR 150	2003-2013	SFA266	SFAC266		SFA266HH						21
GTS 50/125/200	2002-2003	SFA194	SFAC194		SFA194HH						22
X-Large 125/150/200	2002-2003	SFA266*	SFAC266*		SFA266HH*						23
SM 250	Left 2009-2012	FA115									24
	Right										25
SX 250	2009-2012	FA115									26
X-Large 250	2011-2012	SFA086	SFAC086		SFA086HH						27
XR 250	2012	FA086			FA086HH						28
XS 250 Quad	2006-2009	FA377TT*			FA377R*						29
X-Large 125/300	2011-2012	SFA197	SFAC197		SFA197HH						30
X-Large 300	2011-2012	SFA197	SFAC197		SFA197HH						31
											32
											33
											34
											35
											36
											37
											38
											39
											40
											41
											42
											43
											44
											45
											46
											47
											48
											49
											50
											51
											52
											53
											54
											55
											56
											57
											58
											59
											60

*-2 Sets Required. † For Vee disc colours add RED, BLU, GRN, GLD, ORG suffix to part number.

⊗ - Also available as a Vintage Motorcycle Disc. ★ - EPFA available. ⚙ - Disc made of Billet steel. ♦ - CE solid discs for Enduro use.

Non-JAPANESE Built Motorcycles

Line #	BRAKE DISC CHOICES - FRONT			DISC PAD CHOICES - REAR				BRAKE DISC CHOICES - REAR					
	SMX Oversize 320mm Disc Kit Front Left	Front disc bolt kit	Front Brake Line	FA, SFA, TT Pad or Brake Shoe	SFAC Carbon Scooter Pads	Speciality Pads - SXR / Vee / MXS	Sintered HH/R Pads/ Grooved Shoes	Standard Replacement Disc	Contour Disc Rear Fitment	Vee Discs CONTOUR	CX Extreme MX Race Disc / UTVX Disc	Rear disc bolt kit	Rear Brake Line
1				FA115TT			FA115R						
2				FA115			FA115HH						
3				FA115			FA115R						
4				FA115			FA115HH						
5				FA115			FA115R						
6				FA115			FA115HH						
7				FA115TT			FA115R						
8				FA165TT			FA165R						
9				FA083TT			FA083R						
10													
11				Y527									
12				Y503									
13				Y503									
14				SFA260	SFAC260		SFA260HH						
15				SFA298	SFAC298		SFA298HH						
16				Y506									
17				FA115TT			FA115R						
18				FA115TT			FA115R						
19													
20				SFA260	SFAC260		SFA260HH						
21				SFA298	SFAC298		SFA298HH						
22				SFA260	SFAC260		SFA260HH						
23				SFA266	SFAC266		SFA266HH						
24				FA086			FA086HH						
25													
26				FA665									
27				SFA086	SFAC086		SFA086HH						
28				FA086			FA086HH						
29				FA431TT			FA431R						
30				SFA197	SFAC197		SFA197HH						
31				SFA197	SFAC197		SFA197HH						
32													
33													
34				FA083TT			FA083R						
35				FA083TT			FA083R						
36				FA083TT			FA083R						
37				FA083TT			FA083R						
38				FA083TT			FA083R						
39				FA083TT			FA083R						
40				FA083TT			FA083R						
41				FA083TT			FA083R						
42				FA083TT			FA083R						
43				FA083TT			FA083R						
44				FA083TT			FA083R						
45													
46													
47				SFA235	SFAC235								
48				SFA235	SFAC235								
49													
50													
51													
52													
53				949									
54				FA115			FA115HH						
55				FA115			FA115HH						
56				FA115			FA115HH						
57				949									
58				949									
59				950									
60				950									

REAR / ARRIÈRE / HINTEN / POSTERIOR / POSTERIORE

R Suffix = High Durability Sintered Pad. **HH** Suffix = High Performance Sintered Pad. **TT** Suffix = Hard Wearing Off Road Pad. **V** Suffix = Semi Sintered Pad. **G** Suffix = Grooved Shoe.
D Suffix = Drilled Disc. **X** Suffix = Universal Left or Right Disc. **XC** Suffix = Contoured Disc. **LS** Suffix = Left/Steel Disc. **RS** = Right/Steel Disc.

BRAKE APPLICATIONS

*-2 Sets Required. † For Vee disc colours add RED, BLU, GRN, GLD, ORG suffix to part number.

⊙ - Also available as a Vintage Motorcycle Disc. ★ - EPFA available. ⊕ Disc made of Billet steel. ◆ CE solid discs for Enduro use.

Part numbers, prefixes, suffixes, photos and illustrations shown in this catalogue are trademarks and/or copyrights of EBC Brakes or the trademark owner A C Freeman Investments Ltd and use without express written permission of the owners is punishable by law.

Non-JAPANESE Built Motorcycles



CZ/JAWA Contd.



350 Californian	2003-2004
350 Californian	2009-2010
350 Chopper	2003-2004
350 Classic	2003-2004
350 New Classic	2013-2014
350 Tramp	2003-2004
250/380 Models 513/514	1977-1979

DAELIM

A-Four 50cc	2006-2009
Bonita 50 SE50C	2009-2012
Cordi 50/SE 50 R	2005-2012
DX 50 D Camper	2003
E-Five 50	2003-2006
GZ 50 Message	1997-2002
M 50 D/MD Millenium	2003
S-Five 50	2001-2012
S-Five 50	2010-2012
Tapo Message 50	2004
ST 90 Pro Monkey	2003
Delfino 100	2001-2004
Citi Ace 110	2003-2011
Altino 125 ES	2001-2004
B-Bone 125	2009-2014
Besbi 125 SC	2008-2013
Daystar 125	2003-2014
Delfino 125	2007-2011
Evolution 125	2001-2004
Evolution 125 VJ	2003
Freewing 125	2007-2009
Freewing 125 S2	2006
History 125	2001-2006
Otello 125 Fi	2007-2009
Otello 125 NS 125 DLX	2000-2002
Roadwin R 125 Fi VJF 125	2008-2014
Roadwin VJ125	2004-2013
S3-125	2010-2011
S3-125	2012-2014
ST 125	2003
Trans Eagle 125 NS 125 DLX/III	2003-2007
Daystar 250	2013-2014
ET 250 Quad	2005-2008
Freeway 250 SQ 250 S2	2006
Roadsport 250 VJF	2010-2014
Roadwin 250 Fi VJF 250	2008-2010
S3-250	2012-2014
ST 250 Sector Quad	2005-2006
ET 300 Quad	2007-2009
S1-125	2007-2014

DAYTONA

DY 125 RS Euro 4	2017
------------------	------

DERBI

Atlantis 50	1999-2001
Atlantis 50	2002
Atlantis 50	2004-2006
Atlantis 50	2007
Atlantis 50	2007-2011
Atlantis 50	2007-2009

DISC PAD CHOICES - FRONT				BRAKE DISC CHOICES - FRONT					Line #
FA, SFA, TT Pad or Brake Shoe	SFAC Carbon Scooter Pads	Speciality Pads - SXR / Vee / MXS	Sintered/HH Pads/ Grooved Shoes	Standard Replacement Discs	Contour Disc Universal Left and Right	Vee-Discs Black † See note below	CX Extreme Disc / UTVX Disc	OSX Oversize 250mm or 280mm	
FA198									1
FA142			FA142HH						2
FA198									3
FA198									4
FA142			FA142HH						5
FA198									6
									7
									8
									9
SFA228	SFAC228		SFA228HH						10
SFA257	SFAC257								11
SFA257	SFAC257								12
SFA169	SFAC169		SFA169HH	MD904D		VR904			13
SFA257	SFAC257								14
SFA257	SFAC257								15
SFA169	SFAC169		SFA169HH	MD904D		VR904			16
SFA257	SFAC257								17
SFA197	SFAC197		SFA197HH						18
SFA054	SFAC054		SFA054HH						19
SFA169	SFAC169		SFA169HH	MD904D		VR904			20
SFA257	SFAC257								21
SFA086	SFAC086		SFA086HH						22
SFA054	SFAC054		SFA054HH						23
SFA661/4									24
SFA233									25
FA196			FA196HH★						26
SFA197	SFAC197		SFA197HH						27
FA196			FA196HH★						28
FA196			FA196HH★						29
SFA661/4									30
SFA142	SFAC142		SFA142HH						31
SFA054	SFAC054		SFA054HH	MD814					32
SFA661/4									33
SFA054	SFAC054		SFA054HH						34
FA196			FA196HH★						35
FA196			FA196HH★						36
SFA661/4									37
SFA661/4									38
FA194			FA194HH						39
SFA054	SFAC054		SFA054HH						40
FA142*			FA142HH*						41
FA083TT*			FA083R*						42
SFA142	SFAC142		SFA142HH						43
FA142*			FA142HH*						44
FA142*			FA142HH*						45
SFA661/4									46
FA083TT*			FA083R*						47
FA083TT*			FA083R*						48
SFA661/4									49
									50
									51
SFA709	SFAC709		SFA709HH						52
									53
									54
SFA115	SFAC115		SFA115HH	MD964D					55
SFA115	SFAC115		SFA115HH	MD964D					56
SFA115	SFAC115		SFA115HH	MD991D					57
SFA115	SFAC115		SFA115HH	MD964D					58
SFA093				MD910D		VR910			59
SFA093				MD910D		VR910			60

FRONT / AVANT / VORN / FRENTE / ANTERIORE

R Suffix = High Durability Sintered Pad. HH Suffix = High Performance Sintered Pad. TT Suffix = Hard Wearing Off Road Pad. V Suffix = Semi Sintered Pad. G Suffix = Grooved Shoe.
D Suffix = Drilled Disc. X Suffix = Universal Left or Right Disc. XC Suffix = Contoured Disc. LS Suffix = Left/Steel Disc. RS = Right/Steel Disc.

*-2 Sets Required. † For Vee disc colours add RED, BLU, GRN, GLD, ORG suffix to part number.

⊗ - Also available as a Vintage Motorcycle Disc. ★ - EPFA available. ⚙ Disc made of Billet steel. ♦ CE solid discs for Enduro use.

Non-JAPANESE Built Motorcycles

Line #	BRAKE DISC CHOICES - FRONT			DISC PAD CHOICES - REAR				BRAKE DISC CHOICES - REAR					
	SMX Oversize 320mm Disc Kit Front Left	Front disc bolt kit	Front Brake Line	FA, SFA, TT Pad or Brake Shoe	SFAC Carbon Scooter Pads	Speciality Pads - SXR / Vee / MXS	Sintered HH/R Pads/ Grooved Shoes	Standard Replacement Disc	Contour Disc Rear Fitment	Vee Discs CONTOUR	CX Extreme MX Race Disc / UTVX Disc	Rear disc bolt kit	Rear Brake Line
1				949									
2				949									
3				949									
4				949									
5				949									
6				949									
7				950									
8													
9													
10				H303									
11													
12													
13				Y503									
14				H303									
15													
16				Y503									
17				H303									
18													
19													
20				Y503									
21				H303									
22													
23													
24				SFA054	SFAC054								
25													
26				H310			H310G						
27													
28				H310			H310G						
29													
30				SFA054	SFAC054								
31				SFA197	SFAC197		SFA197HH						
32				SFA054	SFAC054		SFA054HH						
33				SFA054	SFAC054								
34				H303									
35				FA197			FA197HH★						
36				FA197			FA197HH★						
37				SFA197	SFAC197								
38				SFA427	SFAC427								
39				FA115			FA115HH						
40				SFA054	SFAC054		SFA054HH						
41				FA197			FA197HH★						
42				FA427TT			FA427R						
43				SFA197	SFAC197		SFA197HH						
44				FA197			FA197HH★						
45				FA197			FA197HH★						
46				SFA427	SFAC427								
47				FA427TT			FA427R						
48				FA427TT			FA427R						
49				SFA054	SFAC054								
50													
51													
52													
53													
54													
55				S624									
56				899									
57				816									
58				899									
59				899									
60				816									

REAR / ARRIÈRE / HINTEN / POSTERIOR / POSTERIORE

R Suffix = High Durability Sintered Pad. **HH** Suffix = High Performance Sintered Pad. **TT** Suffix = Hard Wearing Off Road Pad. **V** Suffix = Semi Sintered Pad. **G** Suffix = Grooved Shoe.
D Suffix = Drilled Disc. **X** Suffix = Universal Left or Right Disc. **XC** Suffix = Contoured Disc. **LS** Suffix = Left/Steel Disc. **RS** = Right/Steel Disc.

BRAKE APPLICATIONS

*-2 Sets Required. † For Vee disc colours add RED, BLU, GRN, GLD, ORG suffix to part number.

⊗ - Also available as a Vintage Motorcycle Disc. ★ - EPFA available. ⚙ Disc made of Billet steel. ♦ CE solid discs for Enduro use.

Part numbers, prefixes, suffixes, photos and illustrations shown in this catalogue are trademarks and/or copyrights of EBC Brakes or the trademark owner A C Freeman Investments Ltd and use without express written permission of the owners is punishable by law.

Non-JAPANESE Built Motorcycles



DERBI Contd.



		DISC PAD CHOICES - FRONT			BRAKE DISC CHOICES - FRONT						
		FA, SFA, TT Pad or Brake Shoe	SFAC Carbon Scooter Pads	Speciality Pads - SXR / Vee / MXS	Sintered/HH Pads/ Grooved Shoes	Standard Replacement Discs	Contour Disc Universal Left and Right	Vee-Discs Black † See note below	CX Extreme Disc / UTVX Disc	OSX Oversize 250mm or 280mm	Line #
Atlantis 50 Bullet	2003-2005	SFA115	SFAC115		SFA115HH	MD964D					1
Atlantis 50 City	2003-2006	SFA115	SFAC115		SFA115HH	MD964D					2
Atlantis 50 LC	1999-2001	SFA115	SFAC115		SFA115HH	MD964D					3
Atlantis 50 Red Bullet	2003	SFA115	SFAC115		SFA115HH	MD964D					4
Atlantis 50 Two Chic	2005	SFA115	SFAC115		SFA115HH	MD964D					5
Boulevard 50	2009-2012	SFA353	SFAC353		SFA353HH	MD910D		VR910			6
Boulevard 50	2009	SFA353	SFAC353		SFA353HH	MD910D		VR910			7
DFW 50 Quad	2004-2007	H338*			H338G*						8
DRD 50 Supermoto/Racer	2003-2004	FA115TT*			FA115R*						9
GPR 50	1997-2001	FA167			FA167HH	MD806LS					10
GPR 50	2004-2007	FA266			FA266HH	MD685LS					11
GPR 50	2009-2011	FA399				MD685LS					12
GPR 50 Nude	2004-2009	FA266			FA266HH	MD685LS					13
GPR 50 Racing	2008-2010	FA266			FA266HH	MD685LS					14
GPR 50 Replica Racing	1999-2003	FA167			FA167HH	MD806LS					15
Hunter	1996-1999	SFA115	SFAC115		SFA115HH	MD964D					16
Paddock 50	1998-1999	SFA115	SFAC115		SFA115HH	MD964D					17
Predator 50	1998-2001	SFA115	SFAC115		SFA115HH	MD964D					18
Predator 50	1998-2003	SFA115	SFAC115		SFA115HH	MD964D					19
Predator 50	1998-2003	SFA115	SFAC115		SFA115HH	MD991D					20
Red Bullet 50	2004-2005	SFA115	SFAC115		SFA115HH	MD964D					21
Senda DRD 50 Evo SM	2008-2011	FA266			FA266HH	MD8002					22
Senda DRD Pro 50	2005-2013	FA266			FA266HH						23
Senda DRD Pro 50 SM	2005-2014	FA266			FA266HH	MD811					24
Senda DRD Racing 50	2004-2010	FA194			FA194HH	MD811					25
Senda DRD Racing 50	2011-2012	FA194			FA194HH	MD811					26
Senda DRD Racing 50 SM	2004-2010	FA194			FA194HH	MD811					27
Senda DRD Racing 50 SM	2011-2012	FA194			FA194HH	MD811					28
Senda DRD SM 50	2002-2003	FA167*			FA167HH*	MD6361D*					29
Senda DRD SM 50	2005	FA115*			FA115HH*	MD6361D*					30
Senda DRD SM 50 Black Edition	2003	FA167			FA167HH						31
Senda DRD SM 50 Black Edition	2005	FA115TT*			FA115R*	MD6361D*					32
Senda DRD SM Racing LTD SR2A2B Model	2005-2007	FA115*			FA115HH*		MD836C*				33
Senda DRD X Treme 50	2011-2014	FA083TT			FA083R						34
Senda DRD X Treme 50 SM	2011-2014	FA266			FA266HH						35
Senda R 50	1996-1999	FA115TT			FA115R	MD6175D					36
Senda R 50	2000-2002	FA115TT			FA115R	MD6250D					37
Senda R DR	2002	FA194			FA194HH						38
Senda X Race 50 R	2005-2011	FA115			FA115HH	MD6250D					39
Senda X Race 50 SM	2006-2011	FA115			FA115HH						40
Senda X-treme 50 R	2003-2011	FA115			FA115HH	MD6250D					41
Senda X-treme 50 SM	2003-2011	FA115			FA115HH						42
Sonar 50	2010-2011	SFA260	SFAC260		SFA260HH						43
Vamos 50	1993-1995	S624									44
Vamos/Vamos FL	1996-1999	SFA115	SFAC115		SFA115HH						45
Variant Sport 50	2012	SFA353	SFAC353		SFA353HH	MD924D		VR924			46
X Race 50	2006	FA115			FA115HH						47
GPR 80 Cup	2004-2005	FA266			FA266HH						48
Atlantis 100	2000-2001	SFA115	SFAC115		SFA115HH	MD964D					49
Atlantis 100	2004-2006	SFA115	SFAC115		SFA115HH	MD991D					50
Boulevard 125	2003-2007	SFA350	SFAC350		SFA350HH	MD924D		VR924			51
Boulevard 125	2007	SFA256	SFAC256		SFA256HH	MD952D		VR952			52
Boulevard 125	2008-2012	SFA353	SFAC353		SFA353HH	MD910D		VR910			53
Cross City 125	2007-2008	FA194			FA194HH	MD807LS					54
Cross City 125	2009-2014	FA465TT		MXS465	FA465R	MD807LS					55
GPR 125 Nude	2004-2008	FA399				MD685LS					56
GPR 125 R	2009-2014	FA399				MD685LS					57
GPR 125 Racing	2004-2007	FA399				MD685LS					58
Mulhacen 125 Café	2008-2011	FA266			FA266HH	MD685LS					59
Mulhacen 125 R	2007	FA194			FA194HH	MD807LS					60

FRONT / AVANT / VORN / FRENTE / ANTERIORE

R Suffix = High Durability Sintered Pad. HH Suffix = High Performance Sintered Pad. TT Suffix = Hard Wearing Off Road Pad. V Suffix = Semi Sintered Pad. G Suffix = Grooved Shoe.
D Suffix = Drilled Disc. X Suffix = Universal Left or Right Disc. XC Suffix = Contoured Disc. LS Suffix = Left/Steel Disc. RS = Right/Steel Disc.

*-2 Sets Required. † For Vee disc colours add RED, BLU, GRN, GLD, ORG suffix to part number.

⊗ - Also available as a Vintage Motorcycle Disc. ★ - EPFA available. ⚙ Disc made of Billet steel. ♦ CE solid discs for Enduro use.

Non-JAPANESE Built Motorcycles

Line #	BRAKE DISC CHOICES - FRONT			DISC PAD CHOICES - REAR				BRAKE DISC CHOICES - REAR					
	SMX Oversize 320mm Disc Kit Front Left	Front disc bolt kit	Front Brake Line	FA, SFA, TT Pad or Brake Shoe	SFAC Carbon Scooter Pads	Speciality Pads - SXR / Vee / MXS	Sintered HH/R Pads/ Grooved Shoes	Standard Replacement Disc	Contour Disc Rear Fitment	Vee Discs CONTOUR	CX Extreme MX Race Disc / UTVX Disc	Rear disc bolt kit	Rear Brake Line
1				899									
2				899									
3				S624									
4				899									
5				899									
6				816									
7				816									
8				H330			H330G						
9				FA115TT			FA115R						
10				FA115			FA115HH	MD805					
11				FA115			FA115HH	MD686					
12				FA115			FA115HH	MD833					
13				FA115			FA115HH	MD686					
14				FA115			FA115HH	MD686					
15				FA115			FA115HH	MD805					
16				S624									
17				S624									
18				S624									
19				SFA115	SFAC115		SFA115HH	MD964D					
20				SFA115	SFAC115		SFA115HH	MD964D					
21				S624									
22				SFA350	SFAC350		SFA350HH						
23				SFA350	SFAC350		SFA350HH						
24				SFA350	SFAC350		SFA350HH	MD808					
25				FA115			FA115HH	MD808					
26				FA083TT			FA083R	MD805					
27				FA115			FA115HH	MD808					
28				FA083TT			FA083R	MD805					
29				FA115			FA115HH	MD6248D					
30				FA115			FA115HH	MD6248D					
31				FA115			FA115HH						
32				FA115TT			FA115R						
33				FA115			FA115HH		MD805C				
34				FA083TT			FA083R						
35				FA083TT			FA083R						
36				FA115TT			FA115R						
37				FA115TT			FA115R	MD6248D					
38				FA115			FA115HH						
39				FA115			FA115HH	MD6248D					
40				FA115			FA115HH	MD6248D					
41				FA115			FA115HH	MD6248D					
42				FA115			FA115HH	MD6248D					
43				816									
44				S624									
45				S624									
46				816									
47				FA115			FA115HH						
48				FA115			FA115HH						
49				S624									
50				816									
51				816									
52				SFA298	SFAC298		SFA298HH	MD942D		VR942			
53				816									
54				FA350			FA350HH	MD808					
55				FA350TT				MD808					
56				FA115				MD686					
57				FA093				MD833					
58				FA115				MD686					
59				FA093				MD833					
60				FA093				MD808					

REAR / ARRIÈRE / HINTEN / POSTERIOR / POSTERIORE

R Suffix = High Durability Sintered Pad. **HH** Suffix = High Performance Sintered Pad. **TT** Suffix = Hard Wearing Off Road Pad. **V** Suffix = Semi Sintered Pad. **G** Suffix = Grooved Shoe.
D Suffix = Drilled Disc. **X** Suffix = Universal Left or Right Disc. **XC** Suffix = Contoured Disc. **LS** Suffix = Left/Steel Disc. **RS** = Right/Steel Disc.

*-2 Sets Required. † For Vee disc colours add RED, BLU, GRN, GLD, ORG suffix to part number.

⊙ - Also available as a Vintage Motorcycle Disc. ★ - EPFA available. ⚙ - Disc made of Billet steel. ♦ - CE solid discs for Enduro use.

Part numbers, prefixes, suffixes, photos and illustrations shown in this catalogue are trademarks and/or copyrights of EBC Brakes or the trademark owner A C Freeman Investments Ltd and use without express written permission of the owners is punishable by law.

Non-JAPANESE Built Motorcycles



DERBI Contd.



DISC PAD CHOICES - FRONT

BRAKE DISC CHOICES - FRONT

FRONT / AVANT / VORN / FRENTE / ANTERIORE

Model	Year	DISC PAD CHOICES - FRONT			BRAKE DISC CHOICES - FRONT					Line #
		FA, SFA, TT Pad or Brake Shoe	SFAC Carbon Scooter Pads	Speciality Pads - SXR / Vee / MXS	Sintered/HH Pads/ Grooved Shoes	Standard Replacement Discs	Contour Disc Universal Left and Right	Vee-Discs Black † See note below	CX Extreme Disc / UTVX Disc	
Mulhacen 125 R	2007-2010	FA465TT		MXS465	FA465R	MD807LS				1
Rambra 125 R	2008-2012	SFA256	SFAC256		SFA256HH	MD952D		VR952		2
Senda 125 Baja R	2006-2012	FA194			FA194HH					3
Senda 125 Baja SM	2006-2012	FA194			FA194HH	MD698LS				4
Senda 125 R	2004	FA167			FA167HH	MD698LS				5
Senda 125 R	2004	FA194			FA194HH	MD698LS				6
Senda 125 SM	2004-2007	FA194			FA194HH	MD698LS				7
Senda DRD 125 R	2010-2012	FA266			FA266HH					8
Senda DRD 125 SM	2010-2014	FA266			FA266HH					9
Sonar 125 R	2010-2011	SFA260	SFAC260		SFA260HH					10
Terra 125 Adventure	2007-2014	FA465TT		MXS465	FA465R	MD807LS				11
Terra 125 E3	2008-2010	FA228			FA228HH	MD8002				12
Terra 125 Euro	2007-2011	FA465TT		MXS465	FA465R	MD807LS				13
Variant Sport 125	2012	SFA353	SFAC353		SFA353HH	MD924D		VR924		14
Boulevard 150	2003-2007	SFA350	SFAC350		SFA350HH	MD924D		VR924		15
GP1 50	2001-2003	SFA115	SFAC115		SFA115HH	MD991D				16
GP1 50 Euro 2	2005	SFA266	SFAC266		SFA266HH	MD9113D				17
GP1 50 Open	2006-2011	SFA194	SFAC194		SFA194HH	MD956D		VR956		18
GP1 50 Race	2005-2007	SFA266	SFAC266		SFA266HH	MD9113D				19
Sonar 150	2009-2010	SFA260	SFAC260		SFA260HH					20
Boulevard 200	2005	SFA350	SFAC350		SFA350HH	MD924D		VR924		21
DXR 200 Quad	2004	Y503*			Y503G*					22
DXR 200 Quad	2004-2005	Y503*			Y503G*					23
DXR 200 Quad	2004-2007	FA083TT*			FA083R*	MD6054D*				24
DXR 200 Quad	2004-2005	Y503*			Y503G*					25
DXR 200 Quad	2004-2007	FA083TT*			FA083R*	MD6054D*				26
Rambra 250 i	2008-2009	SFA256*	SFAC256*		SFA256HH*	MD952D*		VR952*		27
Rambra 300 i	2010-2012	SFA256*	SFAC256*		SFA256HH*	MD952D*		VR952*		28
Mulhacen 659	2006-2008				FA322/4HH★					29
GP1 125 Racing	2007-2009	FA399				MD9122D				30
GP1 125 Scooter	2006	SFA266	SFAC266		SFA266HH	MD9113D				31
GP1 250 icc Racing	2007-2009	FA399				MD9122D				32
GP1 250 Scooter	2006-2007	SFA266*	SFAC266*		SFA266HH*	MD9113D*				33
										34
										35
										36
										37
										38
										39
										40
										41
										42
										43
										44
										45
										46
										47
										48
										49
										50
										51
										52
										53
										54
										55
										56
										57
										58
										59
										60

*-2 Sets Required. † For Vee disc colours add RED, BLU, GRN, GLD, ORG suffix to part number.

⊗ - Also available as a Vintage Motorcycle Disc. ★ - EPFA available. ⚙ - Disc made of Billet steel. ◆ - CE solid discs for Enduro use.

Non-JAPANESE Built Motorcycles

Line #	BRAKE DISC CHOICES - FRONT			DISC PAD CHOICES - REAR				BRAKE DISC CHOICES - REAR					
	SMX Oversize 320mm Disc Kit Front Left	Front disc bolt kit	Front Brake Line	FA, SFA, TT Pad or Brake Shoe	SFAC Carbon Scooter Pads	Speciality Pads - SXR / Vee / MXS	Sintered HH/R Pads/ Grooved Shoes	Standard Replacement Disc	Contour Disc Rear Fitment	Vee Discs CONTOUR	CX Extreme MX Race Disc / UTVX Disc	Rear disc bolt kit	Rear Brake Line
1				FA093				MD808					
2				SFA298	SFAC298		SFA298HH	MD942D		VR942			
3				FA350			FA350HH	MD808					
4				FA350			FA350HH	MD808					
5				FA350			FA350HH	MD808					
6				FA350			FA350HH	MD808					
7				FA350			FA350HH	MD808					
8				FA093									
9				FA093									
10				816									
11				FA093				MD808					
12				FA093				MD808					
13				FA093				MD808					
14				816									
15				816									
16				SFA115	SFAC115		SFA115HH	MD932D					
17				SFA115	SFAC115		SFA115HH	MD9123D					
18				SFA115	SFAC115		SFA115HH	MD932D		VR932			
19				SFA115	SFAC115		SFA115HH	MD9123D					
20				816									
21				816									
22				FA135TT			FA135R						
23				FA067TT			FA067R	MD6053D					
24				FA067TT			FA067R	MD6053D					
25				FA135TT			FA135R	MD6053D					
26				FA067TT			FA067R	MD6053D					
27				SFA298	SFAC298		SFA298HH	MD942D		VR942			
28				SFA298	SFAC298		SFA298HH	MD942D		VR942			
29				FA266			FA266HH★						
30				SFA350				MD956D					
31				SFA266	SFAC266		SFA266HH	MD944D					
32				SFA350	SFAC350			MD956D					
33				SFA266	SFAC266		SFA266HH	MD944D					
34													
35													
36				FA067TT			FA067R	MD6348D					
37													
38				921									
39				929									
40				FA047			FA047HH	MD899					
41				FA047			FA047HH	MD899					
42				FA047			FA047HH	MD899					
43				FA047			FA047HH	MD899					
44				FA047			FA047HH	MD899					
45				FA047			FA047HH	MD899					
46				FA047			FA047HH	MD899					
47			BLM8141-1F	FA047			FA047HH	MD899					
48				FA213			FA213HH★	MD899					
49		DB201/6		FA047			FA047HH	MD899					
50		DB201/6		FA047			FA047HH	MD899					
51													
52				FA047		FA047V	FA047HH						
53				FA047V		FA047V	FA047HH	MD657RS					
54													
55				FA047		FA047V	FA047HH						
56				FA115			FA115HH						
57				FA047		FA047V	FA047HH	MD899					
58				FA047		FA047V	FA047HH	MD899					
59				FA047			FA047HH	MD899					
60				FA047		FA047V	FA047HH	MD899					

REAR / ARRIÈRE / HINTEN / POSTERIOR / POSTERIORE

R Suffix = High Durability Sintered Pad. HH Suffix = High Performance Sintered Pad. TT Suffix = Hard Wearing Off Road Pad. V Suffix = Semi Sintered Pad. G Suffix = Grooved Shoe.
D Suffix = Drilled Disc. X Suffix = Universal Left or Right Disc. XC Suffix = Contoured Disc. LS Suffix = Left/Steel Disc. RS = Right/Steel Disc.

BRAKE APPLICATIONS

*-2 Sets Required. † For Vee disc colours add RED, BLU, GRN, GLD, ORG suffix to part number.

⊙ - Also available as a Vintage Motorcycle Disc. ★ - EPFA available. ⚙ Disc made of Billet steel. ♦ CE solid discs for Enduro use.

Non-JAPANESE Built Motorcycles



DUCATI Contd.



DISC PAD CHOICES - FRONT

BRAKE DISC CHOICES - FRONT

FRONT / AVANT / VORN / FRENTE / ANTERIORE

		FA, SFA, TT Pad or Brake Shoe	SFAC Carbon Scooter Pads	Speciality Pads - SXR / Vee / MXS	Sintered/HH Pads/ Grooved Shoes	Standard Replacement Discs	Contour Disc Universal Left and Right	Vee-Discs Black † See note below	CX Extreme Disc / UTVX Disc	OSX Oversize 250mm or 280mm	Line #
Monster 600 Dark	1998-1999	FA095		FA095V	FA095HH★	MD633X	MD633XC				1
Pantah 600	1981	FA018*		FA018V*	FA018HH*	MD657LS					2
	Left										3
	Right										4
Supersport 600	1991-1997	FA095		FA095V	FA095HH★	MD2003X	MD2003XC	VR2003BLK†			5
Monster 620	2005-2006	FA181TT*			FA181HH*	MD626X*	MD626XC*	VR626BLK*†			6
Monster 620 IE	2002-2005	FA244*			FA244HH*★	MD614X*	MD614XC*	VR614BLK*†			7
Monster 620 IE	2003-2004	FA244			FA244HH★	MD614X	MD614XC	VR614BLK†			8
Monster 620 IE	2003-2005	FA181TT*			FA181HH*	MD626X*	MD626XC*	VR626BLK*†			9
Multistrada 620	2006	FA181TT*			FA181HH*	MD626X*	MD626XC*	VR626BLK*†			10
Multistrada 620 Dark	2006	FA244			FA244HH★	MD2003X	MD2003XC	VR2003BLK†			11
Sport 620	2003	FA244*			FA244HH*★	MD614X*	MD614XC*	VR614BLK*†			12
Pantah 650	1984	FA018*		FA018V*	FA018HH*						13
Monster 695	2007-2008	FA181TT*			FA181HH*	MD626X*	MD626XC*	VR626BLK*†			14
Monster 695	2008-2014	FA244*			FA244HH*★	MD614X*	MD614XC*	VR614BLK*†			15
Monster 695 +	2009-2012	FA244*			FA244HH*★	MD614X*	MD614XC*	VR614BLK*†			16
748 Biposta	1995-1998				FA095HH★	MD2003X*	MD2003XC*	VR2003BLK*†			17
748 Biposta	1999-2002				FA244HH*★	MD614X*	MD614XC*	VR614BLK*†			18
748 R	2000				FA244HH*★	MD624*					19
748 R	2001				FA322/4HH*★	MD636X*	MD636XC*				20
748 R	2002				FA322/4HH*★	MD636X*	MD636XC*				21
748 S S	2000-2002	FA244*			FA244HH*★						22
748 S S	2000-2002	FA244*			FA244HH*★						23
748 SP	1995-1997				FA095HH*★	MD2003X*	MD2003XC*				24
748 SP	1998				FA095HH*★	MD633X*	MD633XC*				25
748 SP	1999-2002	FA244*			FA244HH*★	MD614X*	MD614XC*	VR614BLK*†			26
748 SPS	1998-1999	FA244			FA244HH★	MD633X*	MD633XC*				27
748 Testa Bassa	2001				FA244HH*★	MD614X*	MD614XC*	VR614BLK*†			28
749	2003-2006				FA322/4HH*★	MD622X*	MD622XC*	VR622BLK*†			29
749 Dark	2004-2006				FA322/4HH*★	MD622X*	MD622XC*	VR622BLK*†			30
749 R	2004-2006				FA322/4HH*★	MD622X*	MD622XC*	VR622BLK*†			31
749 S	2003-2006				FA322/4HH*★	MD622X*	MD622XC*	VR622BLK*†			32
750	1999	FA244*			FA244HH*★	MD2003X*	MD2003XC*	VR2003BLK*†			33
750	2001-2002	FA244*			FA244HH*★	MD614X*	MD614XC*	VR614BLK*†			34
750 F1	1998	FA018*		FA018V*	FA018HH*						35
750 IE	2000-2002	FA244*			FA244HH*★	MD614X*	MD614XC*	VR614BLK*†			36
750 Paso	1987-1990	FA018*		FA018V*	FA018HH*	MD630LS					37
	Left										38
	Right										39
750 Sport	1974	FA016			FA016HH★	MD634LS					40
750 Sport	1988-1990	FA018*		FA018V*	FA018HH*	MD630LS					41
	Left										42
	Right										43
750 SS	1975-1976	FA019*				MD634LS					44
	Left										45
	Right										46
750 Supersport E	1991-1998	FA095			FA095HH★	MD633X	MD633XC				47
750 Supersport IE	1991-1998	FA095*			FA095HH*★	MD633X*	MD633XC*				48
Monster 750	2000-2001	FA244*			FA244HH*★	MD614X*	MD614XC*	VR614BLK*†			49
Monster 750 City/City Dark	1999	FA095*			FA095HH*★	MD2003X*	MD2003XC*	VR2003BLK*†			50
Monster 750 E	1996-1997	FA095			FA095HH★	MD2003X	MD2003XC	VR2003BLK†			51
Monster 750 IE	1996-1998	FA095*			FA095HH*★	MD2003X*	MD2003XC*	VR2003BLK*†			52
Monster 750 IE	2002	FA244*			FA244HH*★	MD614X*	MD614XC*	VR614BLK*†			53
Monster 750 Monster Dark	1999	FA095*			FA095HH*★	MD633X*	MD633XC*				54
Hypermotard 796	2010-2013	FA244*			FA244HH*★	MD865X*	MD865XC*				55
Monster 796	2010-2013	FA244*			FA244HH*★	MD841X*	MD841XC*	VR841BLK*†			56
Monster 796	2010-2014	FA244*			FA244HH*★	MD841X*	MD841XC*	VR841BLK*†			57
Monster 796	2017-2021				FA630HH*★	MD841X*	MD841XC*	VR841BLK*†			58
Monster 796 +	2018-2020				FA630HH*★	MD841X*	MD841XC*	VR841BLK*†			59
Monster 796 20th Anniversary Model	2013	FA244*			FA244HH*★	MD841X*	MD841XC*	VR841BLK*†			60
Monster 796 20th Anniversary Model	2013	FA244*			FA244HH*★	MD841X*	MD841XC*	VR841BLK*†			61
Monster 800	2003-2004	FA244*			FA244HH*★	MD614X*	MD614XC*	VR614BLK*†			62
Sport 800	2003	FA244*			FA244HH*★	MD614X*	MD614XC*	VR614BLK*†			63
Supersport 800	2003-2005	FA244*			FA244HH*★	MD614X*	MD614XC*	VR614BLK*†			64

*-2 Sets Required. † For Vee disc colours add RED, BLU, GRN, GLD, ORG suffix to part number.

⊗ - Also available as a Vintage Motorcycle Disc. ★ - EPFA available. ⚙ - Disc made of Billet steel. ♦ - CE solid discs for Enduro use.

Non-JAPANESE Built Motorcycles

Line #	BRAKE DISC CHOICES - FRONT			DISC PAD CHOICES - REAR				BRAKE DISC CHOICES - REAR					
	SMX Oversize 320mm Disc Kit Front Left	Front disc bolt kit	Front Brake Line	FA, SFA, TT Pad or Brake Shoe	SFAC Carbon Scooter Pads	Speciality Pads - SXR / Vee / MXS	Sintered HH/R Pads/ Grooved Shoes	Standard Replacement Disc	Contour Disc Rear Fitment	Vee Discs CONTOUR	CX Extreme MX Race Disc / UTVX Disc	Rear disc bolt kit	Rear Brake Line
1				FA047		FA047V	FA047HH	MD899					
2													BLM8147-1R
3				FA047			FA047HH						
4		DB201/6		FA047		FA047V	FA047HH	MD899					
5				FA047			FA047HH	MD899					
6			BLM8143-3F	FA047			FA047HH	MD899					
7				FA047			FA047HH	MD899					
8				FA047			FA047HH	MD899					
9				FA047			FA047HH	MD899					
10		DB201/6		FA047			FA047HH	MD899					
11				FA047			FA047HH	MD899					
12				FA018		FA018V	FA018HH						
13				FA047			FA047HH	MD899					
14				FA266			FA266HH★	MD899					
15				FA266			FA266HH★	MD899					
16		DB201/6					FA047HH	MD632		VR632			
17							FA047HH	MD899					
18							FA047HH	MD632					
19							FA047HH	MD632					
20							FA047HH	MD632					
21							FA047HH	MD632					
22							FA047HH	MD632					
23		DB201/6					FA047HH	MD632					
24							FA047HH	MD632					
25							FA047HH	MD899					
26							FA047HH	MD632					
27							FA047HH	MD632		VR632			
28			BLM8109-2F	FA266			FA266HH★	MD618		VR618			
29				FA266			FA266HH★	MD618		VR618			
30				FA266			FA266HH★	MD618		VR618			
31				FA266			FA266HH★	MD618		VR618			
32		DB201/6		FA266			FA266HH★	MD899					
33				FA266			FA266HH★	MD899					
34				FA018		FA018V	FA018HH						
35				FA266			FA266HH★	MD899					
36				FA047		FA018V	FA047HH	MD631					BLM8121-1R
37													
38			BLM8122-1F										
39				FA018		FA018V	FA018HH	MD631					
40													
41				FA019									
42													
43			BLM8116-1F	FA047			FA047HH	MD899					
44				FA047			FA047HH	MD899					
45				FA047			FA047HH	MD899					
46		DB201/6		FA047			FA047HH	MD899					
47		DB201/6	BLM8141-1F	FA047			FA047HH	MD899					
48		DB201/6		FA047			FA047HH	MD899					
49				FA047			FA047HH	MD899					
50				FA047			FA047HH	MD899					
51				FA266			FA266HH★	MD627					
52				FA266			FA266HH★	MD627	MD627C	VR627			
53				FA266			FA266HH★	MD878	MD878C	VR878			
54				FA213			FA213HH★	MD899					
55				FA213			FA213HH★	MD899					
56				FA266			FA266HH★	MD627	MD627C	VR627			
57				FA266			FA266HH★	MD878	MD878C	VR878			
58				FA047			FA047HH	MD899					
59				FA047			FA047HH	MD899					
60				FA266			FA266HH★	MD899					

REAR / ARRIÈRE / HINTEN / POSTERIOR / POSTERIORE

R Suffix = High Durability Sintered Pad. **HH** Suffix = High Performance Sintered Pad. **TT** Suffix = Hard Wearing Off Road Pad. **V** Suffix = Semi Sintered Pad. **G** Suffix = Grooved Shoe.
D Suffix = Drilled Disc. **X** Suffix = Universal Left or Right Disc. **XC** Suffix = Contoured Disc. **LS** Suffix = Left/Steel Disc. **RS** = Right/Steel Disc.

*-2 Sets Required. † For Vee disc colours add RED, BLU, GRN, GLD, ORG suffix to part number.

⊙ - Also available as a Vintage Motorcycle Disc. ★ - EPFA available. ⚙ Disc made of Billet steel. ♦ CE solid discs for Enduro use.

Part numbers, prefixes, suffixes, photos and illustrations shown in this catalogue are trademarks and/or copyrights of EBC Brakes or the trademark owner A C Freeman Investments Ltd and use without express written permission of the owners is punishable by law.

Non-JAPANESE Built Motorcycles



DUCATI Contd.



DISC PAD CHOICES - FRONT

BRAKE DISC CHOICES - FRONT

R Suffix = High Durability Sintered Pad. HH Suffix = High Performance Sintered Pad. TT Suffix = Hard Wearing Off Road Pad. V Suffix = Semi Sintered Pad. G Suffix = Grooved Shoe.

D Suffix = Drilled Disc. X Suffix = Universal Left or Right Disc. XC Suffix = Contoured Disc. LS Suffix = Left/Steel Disc. RS = Right/Steel Disc.

FRONT / AVANT / VORN / FRENTE / ANTERIORE

Model	Year	DISC PAD CHOICES - FRONT			BRAKE DISC CHOICES - FRONT					Line #	
		FA, SFA, TT Pad or Brake Shoe	SFAC Carbon Scooter Pads	Speciality Pads - SXR / Vee / MXS	Sintered/HH Pads/ Grooved Shoes	Standard Replacement Discs	Contour Disc Universal Left and Right	Vee-Discs Black † See note below	CX Extreme Disc / UTVX Disc		OSX Oversize 250mm or 280mm
Monster S2R 803cc	2005-2007	FA181TT*			FA181HH*	MD626X*	MD626XC*	VR626BLK*†			1
Monster S2R Dark 803cc	2005-2006	FA181TT*			FA181HH*	MD626X*	MD626XC*	VR626BLK*†			2
Scrambler Café Racer	2017-2021				FA630HH*	MD868X	MD868XC				3
Scrambler Classic	2015-2020				FA630HH*	MD868X	MD868XC				4
Scrambler Desert Sled	2017-2023				FA630HH*	MD868X	MD868XC				5
Scrambler Flat Track Pro	2016				FA630HH*	MD868X	MD868XC				6
Scrambler Full Throttle	2015-2024				FA630HH*	MD868X	MD868XC				7
Scrambler Icon	2015-2024				FA630HH*	MD868X	MD868XC				8
Scrambler Icon Dark	2015-2023				FA630HH*	MD868X	MD868XC				9
Scrambler Mach 2	2018-2020				FA630HH*	MD868X	MD868XC				10
Scrambler Nightshift	2020-2024				FA630HH*	MD868X	MD868XC				11
Scrambler Street Classic	2018-2020				FA630HH*	MD868X	MD868XC				12
Scrambler Urban Enduro	2015-2016				FA630HH*	MD868X	MD868XC				13
Scrambler Urban Motard	2021-2023				FA630HH*	MD868X	MD868XC				14
Hypermotard 821	2013-2016				FA630HH*	MD841X*	MD841XC*	VR841BLK*†			15
Hypermotard 821 SP	2013-2016				FA630HH*	MD841X*	MD841XC*	VR841BLK*†			16
Hyperstrada 821	2013-2016				FA630HH*	MD841X*	MD841XC*	VR841BLK*†			17
Monster 821 Dark	2015-2020				FA630HH*	MD841X*	MD841XC*	VR841BLK*†			18
Monster 821 R	2015-2022				FA630HH*	MD841X*	MD841XC*	VR841BLK*†			19
Monster 821 Stealth	2021-2022				FA630HH*	MD841X*	MD841XC*	VR841BLK*†			20
Monster 821 Stripe	2015-2020				FA630HH*	MD841X*	MD841XC*	VR841BLK*†			21
848 848 E	2008-2010	FA244*		FA244HH*	FA244HH*	MD843X*	MD843XC*	VR843BLK*†			22
848 Corsa SE	2012-2013				FA447HH*						23
848 Dark	2012				FA447HH*	MD843X*	MD843XC*				24
848 Evo OE	2010-2013				FA447HH*	MD843X*	MD843XC*	VR843BLK*†			25
848 Streetfighter	2011-2015	FA244*		FA244HH*	FA244HH*	MD843X*	MD843XC*	VR843BLK*†			26
851 Superbike Biposto	1989-1992				FA095HH*	MD633X*	MD633XC*				27
860 GT/GTS	Left 1975-1976	FA018*		FA018V*	FA018HH*	MD634LS					28
	Right					MD634RS					29
888 SP4/SP5	1992-1993				FA095HH*	MD633X*	MD633XC*				30
888 Superbike Strada	1994-1995				FA095HH*	MD633X*	MD633XC*				31
899 Panigale	2014-2015				FA630HH*	MD843X*	MD843XC*	VR843BLK*†			32
900 GTS	Left 1975-1976	FA018*		FA018V*	FA018HH*	MD634LS					33
	Right					MD634RS					34
900 Hailwood Replica	Left 1979	FA018*		FA018V*	FA018HH*	MD609LS					35
	Right					MD609RS					36
900 MH Evoluzione	2000-2001	FA244*			FA244HH*	MD614X*	MD614XC*	VR614BLK*†			37
900 SD Darmah	Left 1977	FA018*		FA018V*	FA018HH*	MD634LS					38
	Right					MD634RS					39
900 SD Darmah	Left 1978	FA018*		FA018V*	FA018HH*	MD609LS					40
	Right					MD609RS					41
900 SD Darman	Left 1978	FA018*		FA018V*	FA018HH*	MD609LS					42
	Right					MD609RS					43
900 SS	Left 1975-1976	FA019*				MD634LS					44
	Right					MD634RS					45
Monster 900	1993-1999	FA095*			FA095HH*	MD633X*	MD633XC*				46
Monster 900 City/City Dark	1999	FA095*			FA095HH*	MD633X*	MD633XC*				47
Monster 900 Cromo/Special	1998	FA095*			FA095HH*	MD633X*	MD633XC*				48
Monster 900 IE	2000-2001	FA244*			FA244HH*	MD614X*	MD614XC*	VR614BLK*†			49
Sport 900	2002	FA244*			FA244HH*	MD614X*	MD614XC*	VR614BLK*†			50
Supersport 900	1989-1990	FA095*			FA095HH*	MD2001X*	MD2001XC*	VR2001BLK*†			51
Supersport 900	1998-1999	FA244*			FA244HH*	MD633X*	MD633XC*				52
Supersport 900 CR USA	1998	FA095*			FA095HH*	MD633X*	MD633XC*				53
Supersport 900 FE	1998	FA095*			FA095HH*	MD633X*	MD633XC*				54
Supersport 900 IE	2000-2001	FA244*			FA244HH*	MD614X*	MD614XC*	VR614BLK*†			55
Supersport 900 Superlight	1991-1997	FA095*			FA095HH*	MD633X*	MD633XC*				56
906 Paso	1988-1989	FA018*		FA018V*	FA018HH*						57
907 IE	1990-1991	FA095*			FA095HH*	MD2001X*	MD2001XC*	VR2001BLK*†			58
907 IE	1992-1993	FA095*			FA095HH*	MD633X*	MD633XC*				59
916 Biposto	1994-1996				FA095HH*	MD633X*	MD633XC*				60

*-2 Sets Required. † For Vee disc colours add RED, BLU, GRN, GLD, ORG suffix to part number.

⊗ - Also available as a Vintage Motorcycle Disc. ★ - EPFA available. ⚙ - Disc made of Billet steel. ♦ - CE solid discs for Enduro use.

Non-JAPANESE Built Motorcycles

Line #	BRAKE DISC CHOICES - FRONT			DISC PAD CHOICES - REAR				BRAKE DISC CHOICES - REAR				
	SMX Oversize 320mm Disc Kit Front Left	Front disc bolt kit	Front Brake Line	FA, SFA, TT Pad or Brake Shoe	SFAC Carbon Scooter Pads	Speciality Pads - SXR / Vee / MXS	Sintered HH/R Pads/ Grooved Shoes	Standard Replacement Disc	Contour Disc Rear Fitment	Vee Discs CONTOUR	CX Extreme MX Race Disc / UTVX Disc	Rear disc bolt kit
1				FA047			FA047HH	MD627	MD627C	VR627		
2				FA047			FA047HH	MD627	MD627C	VR627		
3							FA213HH★	MD899				
4							FA213HH★	MD899				
5							FA213HH★	MD899				
6							FA213HH★	MD899				
7							FA213HH★	MD899				
8							FA213HH★	MD899				
9							FA213HH★	MD899				
10							FA213HH★	MD899				
11							FA213HH★	MD899				
12							FA213HH★	MD899				
13							FA213HH★	MD899				
14							FA213HH★	MD899				
15				FA266			FA266HH★	MD878	MD878C	VR878		
16				FA266			FA266HH★	MD878	MD878C	VR878		
17				FA266			FA266HH★	MD878	MD878C	VR878		
18				FA266			FA266HH★	MD899				
19				FA266			FA266HH★	MD899				
20				FA266			FA266HH★	MD899				
21				FA266			FA266HH★	MD899				
22				FA266			FA266HH★	MD627	MD627C	VR627		
23				FA266			FA266HH★	MD627	MD627C	VR627		
24				FA266			FA266HH★	MD627	MD627C	VR627		
25				FA266			FA266HH★	MD627	MD627C	VR627		
26				FA266			FA266HH★	MD878	MD878C	VR878		
27							FA047HH	MD899				
28				FA018		FA018V	FA018HH	MD634LS				
29												
30							FA047HH	MD899				
31							FA047HH	MD899				
32				FA266			FA266HH★	MD899				
33				FA018		FA018V	FA018HH					
34								MD634LS				
35				FA018		FA018V	FA018HH	MD609LS				
36												
37				FA266			FA266HH★	MD632	MD632C	VR632		
38				FA018		FA018V	FA018HH	MD634LS				
39												
40				FA018		FA018V	FA018HH	MD634LS				
41												
42				FA018		FA018V	FA018HH	MD609LS				
43												
44				FA019								
45												
46			BLM8146-3F	FA047			FA047HH	MD899				
47				FA047			FA047HH	MD899				
48				FA047			FA047HH	MD899				
49				FA047			FA047HH	MD899				
50				FA266			FA266HH★	MD899				
51		DB604/6		FA047			FA047HH	MD899				
52				FA266			FA266HH★	MD899				
53				FA047			FA047HH	MD899				
54				FA047			FA047HH	MD899				
55				FA266			FA266HH★	MD899				
56				FA047			FA047HH	MD899				
57				FA018		FA018V	FA018HH	MD631				
58		DB604/6		FA047			FA047HH	MD899				
59			BLM8134-3F	FA047			FA047HH	MD899				
60			BLM8117-3F				FA047HH	MD632	MD632C			

REAR / ARRIÈRE / HINTEN / POSTERIOR / POSTERIORE

R Suffix = High Durability Sintered Pad. **HH** Suffix = High Performance Sintered Pad. **TT** Suffix = Hard Wearing Off Road Pad. **V** Suffix = Semi Sintered Pad. **G** Suffix = Grooved Shoe.
D Suffix = Drilled Disc. **X** Suffix = Universal Left or Right Disc. **XC** Suffix = Contoured Disc. **LS** Suffix = Left/Steel Disc. **RS** = Right/Steel Disc.

*-2 Sets Required. † For Vee disc colours add RED, BLU, GRN, GLD, ORG suffix to part number.

⊙ - Also available as a Vintage Motorcycle Disc. ★ - EPFA available. ⚙ Disc made of Billet steel. ♦ CE solid discs for Enduro use.

Part numbers, prefixes, suffixes, photos and illustrations shown in this catalogue are trademarks and/or copyrights of EBC Brakes or the trademark owner A C Freeman Investments Ltd and use without express written permission of the owners is punishable by law.

Non-JAPANESE Built Motorcycles



DUCATI Contd.



DISC PAD CHOICES - FRONT

BRAKE DISC CHOICES - FRONT

R Suffix = High Durability Sintered Pad. HH Suffix = High Performance Sintered Pad. TT Suffix = Hard Wearing Off Road Pad. V Suffix = Semi Sintered Pad. G Suffix = Grooved Shoe.

D Suffix = Drilled Disc. X Suffix = Universal Left or Right Disc. XC Suffix = Contoured Disc. LS Suffix = Left/Steel Disc. RS = Right/Steel Disc.

FRONT / AVANT / VORN / FRENTE / ANTERIORE

		FA, SFA, TT Pad or Brake Shoe	SFAC Carbon Scooter Pads	Speciality Pads - SXR / Vee / MXS	Sintered/HH Pads/ Grooved Shoes	Standard Replacement Discs	Contour Disc Universal Left and Right	Vee-Discs Black † See note below	CX Extreme Disc / UTVX Disc	OSX Oversize 250mm or 280mm	Line #
916 Senna	1994-1998				FA095HH*★	MD633X*	MD633XC*				1
916 SP	1994-1996				FA095HH*★	MD633X*	MD633XC*				2
916 SPS 996cc	1997-1998				FA095HH*★	MD2003X*	MD2003XC*				3
Monster S4	2001-2002	FA244*			FA244HH*★	MD624*		VR624BLK*†			4
Monster S4 916 Foggy Rep	2002	FA244*			FA244HH*★	MD624*		VR624BLK*†			5
ST4 916cc	1999-2000	FA244*			FA244HH*★	MD633X*	MD633XC*				6
ST4 916cc	2001-2002	FA244*			FA244HH*★	MD614X*	MD614XC*	VR614BLK*†			7
Desert X 937	2021-2023				FA447HH*★	MD841X*	MD841XC*				8
Desert X Rally 937	2024				FA447HH*★	MD841X*	MD841XC*				9
Hypermotard 950	2017-2024				FA630HH*★	MD841X*	MD841XC*	VR841BLK*†			10
Hypermotard 950 RVE	2017-2024				FA630HH*★	MD841X*	MD841XC*	VR841BLK*†			11
Hypermotard 950 SP	2017-2024				FA630HH*★						12
Monster 30 Anniversario 937cc	2024				FA447HH*★	TBC*					13
Monster Plus 937cc	2021-2024				FA630HH*★	MD841X*	MD841XC*				14
Monster R 937cc	2021-2024				FA630HH*★	MD841X*	MD841XC*				15
Monster SP 937cc	2023				FA447HH*★	TBC*					16
Monster SP 937cc	2023-2024				FA447HH*★	TBC*					17
Multistrada 950 R	2017-2022				FA630HH*★	MD841X*	MD841XC*	VR841BLK*†			18
Multistrada 950 S	2017-2022				FA630HH*★	MD841X*	MD841XC*	VR841BLK*†			19
Multistrada 950 V2	2021-2024				FA630HH*★	MD841X*	MD841XC*	VR841BLK*†			20
Multistrada 950 V2 S	2021-2024				FA630HH*★	MD841X*	MD841XC*	VR841BLK*†			21
Supersport 950	2017-2024				FA630HH*★	MD841X*	MD841XC*	VR841BLK*†			22
Supersport 950 S	2017-2024				FA630HH*★	MD841X*	MD841XC*	VR841BLK*†			23
Hypermotard 939 SP	2016-2020				FA630HH*★	MD841X*	MD841XC*	VR841BLK*†			24
Hyperstrada 939	2016-2017				FA630HH*★	MD841X*	MD841XC*	VR841BLK*†			25
ST2 944	1997-1999	FA244*			FA244HH*★	MD633X*	MD633XC*				26
ST2 944	2000-2003	FA244			FA244HH*★	MD614X*	MD614XC*	VR614BLK*†			27
Panigale 955 Bayliss 1ST Champion	2022-2023				FA630HH*★	MD843X*	MD843XC*	VR843BLK*†			28
Panigale 955 V2	2019-2023				FA630HH*★	MD843X*	MD843XC*	VR843BLK*†			29
Panigale 955 V2 Bomber	2019-2021				FA630HH*★	MD843X*	MD843XC*	VR843BLK*†			30
Streetfighter 955 V2	2022-2023				FA630HH*★	MD843X*	MD843XC*	VR843BLK*†			31
Panigale 959	2016-2019				FA630HH*★	MD843X*	MD843XC*	VR843BLK*†			32
Panigale 959 Corse	2018-2019				FA630HH*★	MD843X*	MD843XC*	VR843BLK*†			33
Desmosedici RR D16RR	2008				FA447HH*★	MD694X*	MD694XC*	VR694BLK*†			34
Monster 1000 ie 992cc	2004-2005	FA244*			FA244HH*★	MD614X*	MD614XC*	VR614BLK*†			35
Monster 1000 S ie 992cc	2003-2005	FA244*			FA244HH*★	MD614X*	MD614XC*	VR614BLK*†			36
Monster 1000 S2R 992cc	2006-2008	FA244*			FA244HH*★	MD626X*	MD626XC*	VR626BLK*†			37
Multistrada 1000 DS 992cc	2003-2005	FA244*			FA244HH*★	MD682*					38
Multistrada 1000 S DS 992cc	2005-2006	FA244*			FA244HH*★	MD682*					39
Paul Smart 1000 LE 992cc	2006	FA209/2*			FA209/2HH*★	MD614X*	MD614XC*	VR614BLK*†			40
ST3 992	2004-2007	FA244*			FA244HH*★	MD614X*	MD614XC*	VR614BLK*†			41
ST3 S 992	2006-2007	FA244*			FA244HH*★	MD624*		VR624BLK*†			42
Supersport 1000 DS 992cc	2003-2006	FA244*			FA244HH*★	MD614X*	MD614XC*	VR614BLK*†			43
996	1999-2001				FA244HH*★	MD624*		VR624BLK*†			44
996 R R	2001				FA322/4HH*★	MD636X*	MD636XC*				45
996 S S	2001				FA244HH*★	MD624*		VR624BLK*†			46
996 SPS	1999				FA244HH*★	MD624*		VR624BLK*†			47
Monster S4R 996cc	2005-2006	FA244*			FA244HH*★	MD624*		VR624BLK*†			48
Monster S4R 996cc	2003-2006	FA244*			FA244HH*★	MD624*		VR624BLK*†			49
ST4S 996cc	2001-2005	FA244*			FA244HH*★	MD624*		VR624BLK*†			50
ST4S 996cc	2003-2005	FA244*			FA244HH*★	MD624*		VR624BLK*†			51
998	2002				FA322/4HH*★						52
998 Biposta	2002-2003				FA244HH*★	MD633X*	MD633XC*				53
998 Matrix	2004				FA244HH*★	MD633X*	MD633XC*				54
998 S	2002-2004				FA322/4HH*★	MD633X*	MD633XC*				55
998 S Bayliss/Bostrom	2002				FA322/4HH*★	MD633X*	MD633XC*				56
Monster S4RS 998cc	2006				FA322/4HH*★	MD843X*	MD843XC*	VR843BLK*†			57
Monster S4RS 998cc	2007-2008				FA322/4HH*★	MD843X*	MD843XC*	VR843BLK*†			58
Panigale V4 R 998cc	2021-2024				FA447HH*★	MD694X*	MD694XC*	VR694BLK*†			59
Panigale V4 Superleggera 998cc	2021-2023				FA447HH*★	MD694X*	MD694XC*	VR694BLK*†			60

*-2 Sets Required. † For Vee disc colours add RED, BLU, GRN, GLD, ORG suffix to part number.

⊗ - Also available as a Vintage Motorcycle Disc. ★ - EPFA available. ⚙ - Disc made of Billet steel. ♦ - CE solid discs for Enduro use.

Non-JAPANESE Built Motorcycles

Line #	BRAKE DISC CHOICES - FRONT			DISC PAD CHOICES - REAR				BRAKE DISC CHOICES - REAR					
	SMX Oversize 320mm Disc Kit Front Left	Front disc bolt kit	Front Brake Line	FA, SFA, TT Pad or Brake Shoe	SFAC Carbon Scooter Pads	Speciality Pads - SXR / Vee / MXS	Sintered HH/R Pads/ Grooved Shoes	Standard Replacement Disc	Contour Disc Rear Fitment	Vee Discs CONTOUR	CX Extreme MX Race Disc / UTVX Disc	Rear disc bolt kit	Rear Brake Line
1							FA047HH	MD632					
2							FA047HH	MD632	MD632C				
3		DB201/6					FA047HH	MD632					
4				FA047			FA047HH	MD899					
5				FA047			FA047HH	MD899					
6			BLM8152-3F	FA266			FA266HH★	MD899					
7			BLM8152-3F	FA266			FA266HH★	MD899					
8				FA181TT			FA181HH	MD8006	MD8006C				
9				FA181TT			FA181HH	MD8006	MD8006C				
10							FA266HH★	MD880	MD880C				
11							FA266HH★	MD880	MD880C				
12							FA266HH★	MD880	MD880C				
13							FA266HH★	MD899					
14							FA266HH★	MD899					
15							FA266HH★	MD899					
16							FA266HH★	MD899					
17							FA266HH★	MD899					
18				FA181TT			FA181HH						
19				FA181TT			FA181HH	MD8006	MD8006C				
20				FA181TT			FA181HH	MD8006	MD8006C				
21				FA181TT			FA181HH	MD8006	MD8006C				
22							FA266HH★						
23							FA266HH★						
24							FA266HH★	MD878	MD878C	VR878			
25							FA266HH★	MD878	MD878C	VR878			
26			BLM8151-3F	FA266			FA266HH★	MD899					
27			BLM8151-3F	FA266			FA266HH★	MD899					
28							FA266HH★	MD880	MD880C				
29							FA266HH★	MD880	MD880C				
30							FA266HH★	MD880	MD880C				
31							FA266HH★	MD880	MD880C				
32							FA266HH★	MD880	MD880C				
33							FA266HH★	MD880	MD880C				
34							FA266HH★	MD618	MD618C	VR618			
35				FA047			FA047HH	MD899					
36				FA047			FA047HH	MD899					
37				FA047			FA047HH	MD627	MD627C	VR627			
38				FA266			FA266HH★	MD627					
39				FA266			FA266HH★	MD627					
40				FA213			FA213HH★	MD899					
41				FA266			FA266HH★	MD899					
42				FA266			FA266HH★	MD899					
43				FA266			FA266HH★	MD899					
44			BLM8111-3F				FA047HH	MD632		VR632			
45			BLM8119-3F				FA047HH	MD632	MD632C				
46							FA047HH	MD632		VR632			
47							FA047HH	MD632		VR632			
48				FA047			FA047HH	MD627		VR627			
49				FA047			FA047HH	MD627		VR627			
50				FA266			FA266HH★	MD899					
51				FA266			FA266HH★	MD899					
52							FA047HH	MD632					
53			BLM8111-3F				FA047HH	MD632					
54							FA047HH	MD632					
55							FA047HH	MD632					
56							FA047HH	MD632					
57				FA047			FA047HH	MD627	MD627C	VR627			
58				FA047			FA047HH	MD627	MD627C	VR627			
59				FA266			FA266HH★	MD880	MD880C				
60				FA266			FA266HH★	MD880	MD880C				

REAR / ARRIÈRE / HINTEN / POSTERIOR / POSTERIORE

R Suffix = High Durability Sintered Pad. **HH** Suffix = High Performance Sintered Pad. **TT** Suffix = Hard Wearing Off Road Pad. **V** Suffix = Semi Sintered Pad. **G** Suffix = Grooved Shoe.
D Suffix = Drilled Disc. **X** Suffix = Universal Left or Right Disc. **XC** Suffix = Contoured Disc. **LS** Suffix = Left/Steel Disc. **RS** = Right/Steel Disc.

BRAKE APPLICATIONS

*-2 Sets Required. † For Vee disc colours add RED, BLU, GRN, GLD, ORG suffix to part number.

⊙ - Also available as a Vintage Motorcycle Disc. ★ - EPFA available. ⚙ Disc made of Billet steel. ♦ CE solid discs for Enduro use.

Part numbers, prefixes, suffixes, photos and illustrations shown in this catalogue are trademarks and/or copyrights of EBC Brakes or the trademark owner A C Freeman Investments Ltd and use without express written permission of the owners is punishable by law.

Non-JAPANESE Built Motorcycles



DUCATI Contd.



DISC PAD CHOICES - FRONT

BRAKE DISC CHOICES - FRONT

Model	Year	DISC PAD CHOICES - FRONT			BRAKE DISC CHOICES - FRONT					Line #	
		FA, SFA, TT Pad or Brake Shoe	SFAC Carbon Scooter Pads	Speciality Pads - SXR / Vee / MXS	Sintered/HH Pads/ Grooved Shoes	Standard Replacement Discs	Contour Disc Universal Left and Right	Vee-Discs Black † See note below	CX Extreme Disc / UTVX Disc		OSX Oversize 250mm or 280mm
S4RS 998 Testastretta	2007				FA322/4HH*★	MD843X*	MD843XC*	VR843BLK*†			1
S4RS 998cc Tricolore Testastretta	2008				FA322/4HH*★	MD843X*	MD843XC*	VR843BLK*†			2
999	2003-2006				FA322/4HH*★	MD622X*	MD622XC*	VR622BLK*†			3
999 999 RE	2003-2006				FA322/4HH*★	MD622X*	MD622XC*	VR622BLK*†			4
999 R Fila	2003				FA322/4HH*★	MD622X*	MD622XC*	VR622BLK*†			5
999 R Xerox	2006				FA322/4HH*★	MD622X*	MD622XC*	VR622BLK*†			6
999 S	2003-2004				FA322/4HH*★	MD622X*	MD622XC*	VR622BLK*†			7
999 S	2005-2006				FA322/4HH*★	MD622X*	MD622XC*	VR622BLK*†			8
1000 R1 Hailwood Replica	Left 1984	FA018*		FA018V*	FA018HH*	MD609LS					9
	Right					MD609RS					10
GT 1000	2007-2010	FA209/2*			FA209/2HH*★	MD614X*	MD614XC*	VR614BLK*†			11
GT 1000 Touring	2009	FA209/2*			FA209/2HH*★	MD614X*	MD614XC*	VR614BLK*†			12
Monster 1000 Dark	2003	FA244*			FA244HH*★	MD614X*	MD614XC*	VR614BLK*†			13
Sport 1000 S	2007-2009	FA209/2*			FA209/2HH*★	MD614X*	MD614XC*	VR614BLK*†			14
Sport Classic 1000 Monoposto - Japan/Biposto - Europe	2006-2008	FA209/2*			FA209/2HH*★	MD614X*	MD614XC*	VR614BLK*†			15
Multistrada 1100 1078cc	2007-2009	FA244*			FA244HH*★	MD682*					16
Multistrada 1100 S 1078cc	2007-2009	FA244*			FA244HH*★	MD682*					17
1098	2007-2008				FA447HH*★	MD694X*	MD694XC*	VR694BLK*†			18
1098 R	2008-2009				FA447HH*★	MD694X*					19
1098 S	2007-2008				FA447HH*★	MD694X*	MD694XC*	VR694BLK*†			20
1098 S Tricolore	2007				FA447HH*★	MD694X*	MD694XC*	VR694BLK*†			21
Hypermotard 1100	2007-2009	FA244*			FA244HH*★	MD865X*	MD865XC*				22
Hypermotard 1100 EVO	2010-2012	FA244*			FA244HH*★	MD865X*	MD865XC*				23
Hypermotard 1100 EVO SP	2010-2012				FA447HH*★	MD865X*	MD865XC*				24
Hypermotard 1100 S	2007-2009				FA447HH*★	MD865X*	MD865XC*				25
Monster 1100	2009-2010	FA244*			FA244HH*★	MD841X*	MD841XC*	VR841BLK*†			26
Monster 1100	2009-2010	FA244*			FA244HH*★	MD841X*	MD841XC*	VR841BLK*†			27
Monster 1100 Diesel	2013	FA244*			FA244HH*★	MD841X*	MD841XC*	VR841BLK*†			28
Monster 1100 EVO	2011-2013	FA244*			FA244HH*★	MD841X*	MD841XC*	VR841BLK*†			29
Monster 1100 EVO 20th Anniversary Model	2013	FA244*			FA244HH*★	MD841X*	MD841XC*	VR841BLK*†			30
Monster 1100 S	2009-2010	FA244*			FA244HH*★	MD843X*	MD843XC*	VR843BLK*†			31
Monster 1100 S	2009-2010	FA244*			FA244HH*★	MD843X*	MD843XC*	VR843BLK*†			32
Scrambler 1100	2018-2020				FA630HH*★	MD841X*	MD841XC*				33
Scrambler 1100 Dark Pro	2018-2023				FA630HH*★	MD841X*	MD841XC*				34
Scrambler 1100 Pro	2018-2022				FA630HH*★	MD841X*	MD841XC*				35
Scrambler 1100 Special	2018-2020				FA630HH*★	MD841X*	MD841XC*				36
Scrambler 1100 Sport	2018-2020				FA630HH*★	MD841X*	MD841XC*				37
Scrambler 1100 Sport Pro	2018-2023				FA630HH*★	MD841X*	MD841XC*				38
Scrambler 1100 Tribute Pro	2022-2023				FA630HH*★	MD841X*	MD841XC*				39
Streetfighter 1100 1099cc	2009-2010				FA447HH*★	MD694X*	MD694XC*	VR694BLK*†			40
Streetfighter 1100 S 1099cc	2009-2013				FA447HH*★	MD694X*	MD694XC*	VR694BLK*†			41
Panigale V4 1103cc	2018-2024				FA447HH*★	MD694X*	MD694XC*	VR694BLK*†			42
Panigale V4 S 1103cc	2018-2024				FA447HH*★	MD694X*	MD694XC*	VR694BLK*†			43
Panigale V4 SP 1103cc	2021				FA447HH*★	MD694X*	MD694XC*	VR694BLK*†			44
Panigale V4 SP2 1103cc	2023-2024				FA447HH*★	MD694X*	MD694XC*	VR694BLK*†			45
Streetfighter V4 1103cc	2019-2024				FA447HH*★	MD694X*	MD694XC*	VR694BLK*†			46
Streetfighter V4 Lamborghini	2023				FA447HH*★	MD694X*	MD694XC*	VR694BLK*†			47
Streetfighter V4 S 1103cc	2019-2024				FA447HH*★	MD694X*	MD694XC*	VR694BLK*†			48
Streetfighter V4 SP 1103cc	2021				FA447HH*★	MD694X*	MD694XC*	VR694BLK*†			49
Streetfighter V4 SP2 1103cc	2023-2024				FA447HH*★	MD694X*	MD694XC*	VR694BLK*†			50
Diavel V4 1158cc	2023-2024				FA447HH*★						51
Multistrada V4 1158cc	2021-2024				FA630HH*★	MD8011X*					52
Multistrada V4 Pikes Peak 1158cc	2021-2022				FA447HH*★	MD8011X*					53
Multistrada V4 Rally 1158cc	2023-2024				FA447HH*★	MD8011X*					54
Multistrada V4 RS 1158cc	2024				FA447HH*★	MD8011X*					55
Multistrada V4 S 1158cc	2021-2024				FA447HH*★	MD8011X*					56
Multistrada V4 S Grand Tour 1158cc	2024				FA447HH*★	MD8011X*					57
Multistrada V4 Sport 1158cc	2021-2022				FA630HH*★	MD8011X*					58
1198 R	2009-2011				FA447HH*★	MD694X*	MD694XC*	VR694BLK*†			59
1198 R Corse	2010				FA447HH*★	MD694X*					60

FRONT / AVANT / VORN / FRENTE / ANTERIORE

R Suffix = High Durability Sintered Pad. HH Suffix = High Performance Sintered Pad. TT Suffix = Hard Wearing Off Road Pad. V Suffix = Semi Sintered Pad. G Suffix = Grooved Shoe.
D Suffix = Drilled Disc. X Suffix = Universal Left or Right Disc. XC Suffix = Contoured Disc. LS Suffix = Left/Steel Disc. RS = Right/Steel Disc.

*-2 Sets Required. † For Vee disc colours add RED, BLU, GRN, GLD, ORG suffix to part number.

⊗ - Also available as a Vintage Motorcycle Disc. ★ - EPFA available. ⚙ Disc made of Billet steel. ♦ CE solid discs for Enduro use.

Non-JAPANESE Built Motorcycles

Line #	BRAKE DISC CHOICES - FRONT			DISC PAD CHOICES - REAR				BRAKE DISC CHOICES - REAR				
	SMX Oversize 320mm Disc Kit Front Left	Front disc bolt kit	Front Brake Line	FA, SFA, TT Pad or Brake Shoe	SFAC Carbon Scooter Pads	Speciality Pads - SXR / Vee / MXS	Sintered HH/R Pads/ Grooved Shoes	Standard Replacement Disc	Contour Disc Rear Fitment	Vee Discs CONTOUR	CX Extreme MX Race Disc / UTVX Disc	Rear disc bolt kit
1				FA047			FA047HH	MD627	MD627C	VR627		
2				FA047			FA047HH	MD627	MD627C	VR627		
3							FA266HH★	MD618		VR618		
4							FA266HH★	MD618		VR618		
5							FA266HH★	MD618		VR618		
6							FA266HH★	MD618		VR618		
7							FA266HH★	MD618		VR618		
8							FA266HH★	MD618		VR618		
9				FA018		FA018V	FA018HH	MD609LS				
10												
11				FA213			FA213HH★	MD899				
12				FA213			FA213HH★	MD899				
13				FA047			FA047HH	MD899				
14				FA213			FA213HH★	MD899				
15			BLM8150-3F	FA213			FA213HH★	MD899				
16				FA266			FA266HH★	MD627				
17				FA266			FA266HH★	MD627				
18				FA266			FA266HH★	MD695	MD695C	VR695		
19				FA266			FA266HH★	MD695	MD695C	VR695		
20			BLM8114-3F	FA266			FA266HH★	MD695	MD695C	VR695		
21				FA266			FA266HH★	MD695	MD695C	VR695		
22				FA266			FA266HH★	MD627				
23				FA266			FA266HH★	MD627				
24				FA266			FA266HH★	MD627				
25				FA266			FA266HH★	MD627				
26				FA266			FA266HH★	MD627	MD627C	VR627		
27				FA266			FA266HH★	MD878	MD878C	VR878		
28				FA266			FA266HH★	MD878	MD878C	VR878		
29				FA266			FA266HH★	MD878	MD878C	VR878		
30				FA266			FA266HH★	MD878	MD878C	VR878		
31				FA266			FA266HH★	MD627	MD627C	VR627		
32				FA266			FA266HH★	MD878	MD878C	VR878		
33							FA213HH★	MD899				
34							FA213HH★	MD899				
35							FA213HH★	MD899				
36							FA213HH★	MD899				
37							FA213HH★	MD899				
38							FA213HH★	MD899				
39							FA213HH★	MD899				
40							FA266HH★	MD695	MD695C	VR695		
41							FA266HH★	MD695	MD695C	VR695		
42							FA266HH★	MD880	MD880C			
43							FA266HH★	MD880	MD880C			
44							FA266HH★	MD880	MD880C			
45							FA266HH★	MD880	MD880C			
46							FA266HH★	MD878	MD878C	VR878		
47							FA266HH★	MD878	MD878C	VR878		
48							FA266HH★	MD878	MD878C	VR878		
49							FA266HH★	MD878	MD878C	VR878		
50							FA266HH★	MD878	MD878C	VR878		
51							FA209/2HH★					
52				FA181TT			FA181HH	MD8006	MD8006C			
53				FA181TT			FA181HH	MD8006	MD8006C			
54				FA181TT			FA181HH	MD8006	MD8006C			
55				FA181TT			FA181HH	MD8006	MD8006C			
56				FA181TT			FA181HH	MD8006	MD8006C			
57				FA181TT			FA181HH	MD8006	MD8006C			
58				FA181TT			FA181HH	MD8006	MD8006C			
59							FA266HH★	MD695	MD695C	VR695		
60							FA266HH★	MD695	MD695C	VR695		

REAR / ARRIÈRE / HINTEN / POSTERIOR / POSTERIORE

R Suffix = High Durability Sintered Pad. **HH** Suffix = High Performance Sintered Pad. **TT** Suffix = Hard Wearing Off Road Pad. **V** Suffix = Semi Sintered Pad. **G** Suffix = Grooved Shoe.
D Suffix = Drilled Disc. **X** Suffix = Universal Left or Right Disc. **XC** Suffix = Contoured Disc. **LS** Suffix = Left/Steel Disc. **RS** = Right/Steel Disc.

BRAKE APPLICATIONS

*-2 Sets Required. † For Vee disc colours add RED, BLU, GRN, GLD, ORG suffix to part number.

⊙ - Also available as a Vintage Motorcycle Disc. ★ - EPFA available. ⚙ - Disc made of Billet steel. ♦ - CE solid discs for Enduro use.

Part numbers, prefixes, suffixes, photos and illustrations shown in this catalogue are trademarks and/or copyrights of EBC Brakes or the trademark owner A C Freeman Investments Ltd and use without express written permission of the owners is punishable by law.



DUCATI Contd.



Non-JAPANESE Built Motorcycles

		DISC PAD CHOICES - FRONT				BRAKE DISC CHOICES - FRONT					
		FA, SFA, TT Pad or Brake Shoe	SFAC Carbon Scooter Pads	Speciality Pads - SXR / Vee / MXS	Sintered/HH Pads/ Grooved Shoes	Standard Replacement Discs	Contour Disc Universal Left and Right	Vee-Discs Black † See note below	CX Extreme Disc / UTVX Disc	OSX Oversize 250mm or 280mm	Line #
1198 S	2009-2010				FA447HH*★	MD694X*	MD694XC*	VR694BLK*†			1
1198 S Corse	2010				FA447HH*★	MD694X*					2
1198 SP	2011				FA447HH*★	MD694X*					3
Panigale 1199	2013-2016				FA447HH*★	MD694X*	MD694XC*	VR694BLK*†			4
Panigale 1199 R	2012-2013				FA447HH*★	MD694X*	MD694XC*	VR694BLK*†			5
Panigale 1199 R	2012-2015				FA447HH*★	MD694X*	MD694XC*	VR694BLK*†			6
Panigale 1199 S	2012-2015				FA447HH*★	MD694X*	MD694XC*	VR694BLK*†			7
Panigale 1199 S Tricolore	2012-2013				FA447HH*★	MD694X*	MD694XC*	VR694BLK*†			8
Panigale 1199 Superleggera	2014				FA447HH*★	MD694X*	MD694XC*	VR694BLK*†			9
Diavel Diesel	2017-2018				FA447HH*★	MD841X*	MD841XC*	VR841BLK*†			10
Monster 1200	2014-2021				FA630HH*★	MD8011X*					11
Monster 1200 R	2016-2018				FA447HH*★	MD841X*	MD841XC*	VR841BLK*†			12
Monster 1200 S	2014-2021				FA447HH*★	MD8011X*					13
Monster 1200 S Stripe	2015-2019				FA447HH*★						14
Multistada 1200	2010-2014				FA244HH*★	MD841X*	MD841XC*	VR841BLK*†			15
Multistada 1200	2015-2018				FA630HH*★	MD841X*	MD841XC*	VR841BLK*†			16
Multistada 1200	2015-2018				FA447HH*★	MD8011X*					17
Multistada 1200 DVT	2015-2017				FA630HH*★	MD841X*					18
Multistada 1200 Enduro	2016				FA630HH*★	MD841X*	MD841XC*	VR841BLK*†			19
Multistada 1200 Enduro	2017-2018				FA630HH*★	MD841X*	MD841XC*	VR841BLK*†			20
Multistada 1200 Enduro Pro	2018-2019				FA630HH*★	MD841X*	MD841XC*	VR841BLK*†			21
Multistada 1200 Granturismo	2013	FA244*			FA244HH*★	MD841X*	MD841XC*	VR841BLK*†			22
Multistada 1200 S D air	2015-2017				FA447HH*★	MD8011X*					23
Multistada 1200 S D air DVT	2015-2017				FA447HH*★	MD8011X*					24
Multistada 1200 S DVT	2015-2017				FA447HH*★	MD8011X*					25
Multistada 1200 S Pikes Peak	2011-2014	FA244*			FA244HH*★	MD8011X*					26
Multistada 1200 S Pikes Peak	2016-2017				FA447HH*★	MD8011X*					27
Multistada 1200 S Sports Edition	2010-2012	FA244*			FA244HH*★	MD841X*	MD841XC*	VR841BLK*†			28
Multistada 1200 S Touring	2015-2018	FA244*			FA244HH*★	MD8011X*					29
Multistada 1200 S Touring Edition	2010-2014	FA244*			FA244HH*★	MD841X*	MD841XC*	VR841BLK*†			30
Multistada 1200 Standard Edition	2010-2011	FA244*			FA244HH*★	MD841X*	MD841XC*	VR841BLK*†			31
Multistada 1200 Touring	2015-2017	FA244*			FA244HH*★	MD841X*					32
Diavel 1262 Diesel	2017-2018				FA447HH*★	MD841X*	MD841XC*	VR841BLK*†			33
Diavel AMG	2011-2012				FA447HH*★	MD841X*	MD841XC*	VR841BLK*†			34
Diavel Carbon	2011-2019				FA447HH*★	MD841X*	MD841XC*	VR841BLK*†			35
Diavel Chromo	2012				FA447HH*★	MD841X*	MD841XC*	VR841BLK*†			36
Diavel Dark	2013-2014				FA447HH*★	MD841X*	MD841XC*	VR841BLK*†			37
Diavel R	2011-2023				FA630HH*★	MD841X*	MD841XC*	VR841BLK*†			38
Diavel S	2020-2023				FA447HH*★	MD841X*	MD841XC*	VR841BLK*†			39
Diavel Strada	2013-2014				FA447HH*★	MD841X*	MD841XC*	VR841BLK*†			40
Multistrada 1260 Enduro	2018-2021				FA447HH*★	MD8011X*					41
Multistrada 1260 R	2018-2021				FA630HH*★	MD8011X*					42
Multistrada 1260 S D air	2018-2020				FA447HH*★	MD8011X*					43
Multistrada 1260 S Grand Tour	2019-2021				FA447HH*★	MD8011X*					44
Multistrada 1260 S Pikes Peak	2018-2020				FA447HH*★	MD8011X*					45
Multistrada 1260 S R	2018-2019				FA447HH*★	MD8011X*					46
Multistrada 1260 Touring	2018				FA630HH*★	MD8011X*					47
X Diavel	2016-2023				FA630HH*★	MD841X*	MD841XC*	VR841BLK*†			48
X Diavel Black Star	2021-2022				FA447HH*★	MD841X*	MD841XC*	VR841BLK*†			49
X Diavel Dark	2021-2023				FA630HH*★	MD841X*	MD841XC*	VR841BLK*†			50
X Diavel Nera	2023				FA447HH*★	MD841X*	MD841XC*	VR841BLK*†			51
X Diavel S	2016-2023				FA447HH*★	MD841X*	MD841XC*	VR841BLK*†			52
Panigale 1299	2015-2018				FA447HH*★	MD694X*	MD694XC*	VR694BLK*†			53
Panigale 1299 R	2015-2017					MD694X*	MD694XC*	VR694BLK*†			54
Panigale 1299 R Final Edition	2018				FA447HH*★	MD694X*	MD694XC*	VR694BLK*†			55
Panigale 1299 S	2015-2018				FA447HH*★	MD694X*	MD694XC*	VR694BLK*†			56
Panigale 1299 Superleggera	2017				FA447HH*★	MD694X*	MD694XC*	VR694BLK*†			57
Panigale 1299 V4 Corse/Speciale	2018-2020				FA447HH*★	MD694X*	MD694XC*	VR694BLK*†			58
Panigale 1299 V4 R	2019-2020				FA447HH*★	MD694X*	MD694XC*	VR694BLK*†			59
											60

*-2 Sets Required. † For Vee disc colours add RED, BLU, GRN, GLD, ORG suffix to part number.

⊗ - Also available as a Vintage Motorcycle Disc. ★ - EPFA available. ⚙ - Disc made of Billet steel. ♦ - CE solid discs for Enduro use.

Non-JAPANESE Built Motorcycles

Line #	BRAKE DISC CHOICES - FRONT			DISC PAD CHOICES - REAR				BRAKE DISC CHOICES - REAR					
	SMX Oversize 320mm Disc Kit Front Left	Front disc bolt kit	Front Brake Line	FA, SFA, TT Pad or Brake Shoe	SFAC Carbon Scooter Pads	Speciality Pads - SXR / Vee / MXS	Sintered HH/R Pads/ Grooved Shoes	Standard Replacement Disc	Contour Disc Rear Fitment	Vee Discs CONTOUR	CX Extreme MX Race Disc / UTVX Disc	Rear disc bolt kit	Rear Brake Line
1							FA266HH★	MD695	MD695C	VR695			
2							FA266HH★	MD695	MD695C	VR695			
3							FA266HH★	MD695	MD695C	VR695			
4							FA266HH★						
5							FA266HH★						
6							FA266HH★						
7							FA266HH★						
8							FA266HH★						
9							FA266HH★						
10							FA209/2HH★						
11							FA266HH★	MD880	MD880C	VR880			
12							FA266HH★	MD880	MD880C	VR880			
13							FA266HH★	MD880	MD880C	VR880			
14							FA266HH★						
15							FA266HH★						
16				FA209/2			FA209/2HH★	MD879					
17				FA209/2			FA209/2HH★	MD879					
18				FA181TT			FA181HH						
19				FA181TT			FA181HH	MD8006					
20				FA181TT			FA181HH	MD8006					
21				FA181TT			FA181HH	MD8006					
22				FA266			FA266HH★						
23				FA181TT			FA181HH	MD879					
24				FA181TT			FA181HH	MD879					
25				FA181TT			FA181HH						
26				FA266			FA266HH★	MD880	MD880C				
27				FA181TT			FA181HH	MD879					
28				FA266			FA266HH★	MD880	MD880C				
29				FA181TT			FA181HH	MD879					
30				FA266			FA266HH★	MD880	MD880C				
31				FA266			FA266HH★						
32				FA181TT			FA181HH	MD880	MD880C				
33							FA209/2HH★	MD879					
34							FA209/2HH★						
35							FA209/2HH★	MD879					
36							FA209/2HH★						
37							FA209/2HH★						
38							FA209/2HH★	MD879					
39							FA209/2HH★	MD879					
40							FA209/2HH★						
41							FA181HH	MD879					
42							FA209/2HH★	MD879					
43							FA209/2HH★	MD879					
44							FA209/2HH★	MD879					
45							FA209/2HH★	MD879					
46							FA209/2HH★	MD879					
47							FA209/2HH★	MD879					
48							FA209/2HH★	MD879					
49							FA209/2HH★	MD879					
50							FA209/2HH★	MD879					
51							FA209/2HH★	MD879					
52							FA209/2HH★	MD879					
53							FA266HH★	MD880	MD880C	VR880			
54							FA266HH★	MD880	MD880C	VR880			
55							FA266HH★	MD880	MD880C	VR880			
56							FA266HH★	MD880	MD880C	VR880			
57							FA266HH★	MD880	MD880C	VR880			
58							FA266HH★	MD880	MD880C	VR880			
59							FA266HH★	MD880	MD880C				
60													

REAR / ARRIÈRE / HINTEN / POSTERIOR / POSTERIORE

R Suffix = High Durability Sintered Pad. **HH** Suffix = High Performance Sintered Pad. **TT** Suffix = Hard Wearing Off Road Pad. **V** Suffix = Semi Sintered Pad. **G** Suffix = Grooved Shoe.
D Suffix = Drilled Disc. **X** Suffix = Universal Left or Right Disc. **XC** Suffix = Contoured Disc. **LS** Suffix = Left/Steel Disc. **RS** = Right/Steel Disc.

BRAKE APPLICATIONS

*-2 Sets Required. † For Vee disc colours add RED, BLU, GRN, GLD, ORG suffix to part number.

⊙ - Also available as a Vintage Motorcycle Disc. ★ - EPFA available. ⚙ - Disc made of Billet steel. ♦ - CE solid discs for Enduro use.

Part numbers, prefixes, suffixes, photos and illustrations shown in this catalogue are trademarks and/or copyrights of EBC Brakes or the trademark owner A C Freeman Investments Ltd and use without express written permission of the owners is punishable by law.

Non-JAPANESE Built Motorcycles

Line #	BRAKE DISC CHOICES - FRONT			DISC PAD CHOICES - REAR				BRAKE DISC CHOICES - REAR					
	SMX Oversize 320mm Disc Kit Front Left	Front disc bolt kit	Front Brake Line	FA, SFA, TT Pad or Brake Shoe	SFAC Carbon Scooter Pads	Speciality Pads - SXR / Vee / MXS	Sintered HH/R Pads/ Grooved Shoes	Standard Replacement Disc	Contour Disc Rear Fitment	Vee Discs CONTOUR	CX Extreme MX Race Disc / UTVX Disc	Rear disc bolt kit	Rear Brake Line
1				H303									
2													
3													
4													
5				FA460HH									
6				FA460HH									
7				FA460HH									
8													
9													
10				SFA083									
11				SFA083									
12				SFA083									
13													
14													
15				FA266			FA266HH★						
16				FA266			FA266HH★						
17				FA266			FA266HH★						
18				FA266			FA266HH★						
19				FA266			FA266HH★						
20													
21													
22				H330			H330G						
23				H330			H330G						
24				H330			H330G						
25													
26				FA083TT			FA083R						
27				FA083TT			FA083R						
28													
29													
30				FA083TT			FA083R						
31				FA083TT			FA083R						
32				FA083TT			FA083R						
33				H330			H330G						
34				H330			H330G						
35				H330			H330G						
36				FA083TT			FA083R						
37				FA083TT			FA083R						
38				FA083TT			FA083R						
39				FA165TT			FA165R						
40				H330			H330G						
41				H330			H330G						
42				FA165TT			FA165R						
43				FA165TT			FA165R						
44				FA427TT			FA427R						
45				FA165TT			FA165R						
46				H330			H330G						
47				H330			H330G						
48				FA427TT			FA427R						
49				FA427TT			FA427R						
50				FA427TT			FA427R						
51				FA427TT			FA427R						
52				FA427TT			FA427R						
53				FA427TT			FA427R						
54													
55													
56				SFA086	SFAC086								
57				SFA086	SFAC086								
58				SFA086	SFAC086								
59				SFA086	SFAC086								
60				SFA086	SFAC086								

REAR / ARRIÈRE / HINTEN / POSTERIOR / POSTERIORE

R Suffix = High Durability Sintered Pad. **HH** Suffix = High Performance Sintered Pad. **TT** Suffix = Hard Wearing Off Road Pad. **V** Suffix = Semi Sintered Pad. **G** Suffix = Grooved Shoe.
D Suffix = Drilled Disc. **X** Suffix = Universal Left or Right Disc. **XC** Suffix = Contoured Disc. **LS** Suffix = Left/Steel Disc. **RS** = Right/Steel Disc.

BRAKE APPLICATIONS

*-2 Sets Required. † For Vee disc colours add RED, BLU, GRN, GLD, ORG suffix to part number.

⊙ - Also available as a Vintage Motorcycle Disc. ★ - EPFA available. ⚙ Disc made of Billet steel. ♦ CE solid discs for Enduro use.

Part numbers, prefixes, suffixes, photos and illustrations shown in this catalogue are trademarks and/or copyrights of EBC Brakes or the trademark owner A C Freeman Investments Ltd and use without express written permission of the owners is punishable by law.

Non-JAPANESE Built Motorcycles



E-TROPOLIS ELECTRIC SCOOTERS



Contd.

Retro	2013-2014											
Retro Lithium	2014											

EXPLORER

KBR 200	2005											
Ranger 300 2 x 4/4 x 4	2008-2009											
Trasher 450	2008-2009											
Atlas 500 4X4	2008-2009											
Everest 500 L/4 x 4	2008-2009											

FACTORY

Chrono SM 50	2004											
Phantom R14 Agua	2004											
RP 50	2005											
YM 50	2005											
YR 50 Desert	2004-2005											
YR 50 Desert	2002-2003											
YR 125	2005											
YR 250 Desert	2003											

FANTIC

50 Caballero R	1983											
50 Caballero/Caballero RC R	1991											
50 Casa/Competition R	1975											
50 Clubman R	1995											
50 Enduro Competition	1982											
50 Enduro R	1983											
50 Fast R	1988											
50 Issimo	1978											
50 Issimo	1978											
50 Joy R	1992											
50 Koala R	1987											
50 Repl./Enduro Repl. R	1985											
50 Sprinter/3V.R R	1983											
50 Strada R	1982											
50 Strada R	1982											
50 Strada Super Six	1973											
50 Trial	1983											
50.1 Oasis ES	1987											
50.1 Oasis Kick	1987											
50.1 Oasis KS/Rally	1986											
50.1 Oasis R	1986											
50.1 Trial H2O	1987											
50.1 Trial R	1986											
50.5 Trial R	1989											
50.7 Trial R	1990											
50.9 Trial R	1991											
50/50.1 Raider R	1981											
All Series 7 models R	1990											
Caballero 50 Regularita Casa	2006-2009											
Caballero 50 Regularita Casa	2007-2008											
Caballero 50 Regularita Competizione	2006-2009											
Caballero 50 Regularita Competizione Mini	2008-2009											
Caballero 50 Supersei Competizione	2007-2008											
Caballero 50 Supersei Motard	2006-2009											
Trial 50 Junior R	1987											
Trial 50 R	2006											
TX 180 E 49cc/ Regularita Casa 50E	2012-2015											
TX 180 ER 49cc/ Regularita Competizione 50ER	2012-2015											
TX 180 ES 49cc/ Regularita Scuderia 50ES	2012-2015											

FRONT / AVANT / VORN / VORN / FREITE / ANTERIORE

DISC PAD CHOICES - FRONT

BRAKE DISC CHOICES - FRONT

FA, SFA, TT Pad or Brake Shoe	SFAC Carbon Scooter Pads	Speciality Pads - SXR / Vee / MXS	Sintered/HH Pads/ Grooved Shoes	Standard Replacement Discs	Contour Disc Universal Left and Right	Vee-Discs Black † See note below	CX Extreme Disc / UTVX Disc	OSX Oversize 250mm or 280mm
SFA086	SFAC086							
SFA086	SFAC086							
FA167			FA167HH					
FA416TT*			FA416R*					
FA067TT*			FA067R*					
FA453TT*			FA453R*					
FA453TT*			FA453R*					
FA194			FA194HH					
FA351TT								
FA194			FA194HH					
FA194			FA194HH					
FA194			FA194HH					
FA115			FA115HH					
FA194			FA194HH					
FA181TT		MXS181	FA181R					
			922G					
FA047		FA047V						
			841G					
FA115			FA115R					
			841G					
			922G					
FA116								
945								
945								
945								
FA060								
			841G					
909								
			841G					
FA067/3								
FA050								
			926G					
FA116								
FA099								
FA116								
FA116								
FA099								
FA099								
FA115			FA115R					
FA115			FA115R					
FA115			FA115R					
FA067/3								
FA115			FA115R					
FA194			FA194HH					
FA194			FA194HH					
FA181TT		MXS181	FA181R					
FA181TT		MXS181	FA181R					
FA181TT		MXS181	FA181R					
FA194			FA194HH					
			930G					
FA291								
FA465TT		MXS465	FA465R					
FA465TT		MXS465	FA465R					
FA465TT		MXS465	FA465R					

Line #

1
2
3
4
5
6
7
8
9
10
11
12
13
14
15
16
17
18
19
20
21
22
23
24
25
26
27
28
29
30
31
32
33
34
35
36
37
38
39
40
41
42
43
44
45
46
47
48
49
50
51
52
53
54
55
56
57
58
59
60

*-2 Sets Required. † For Vee disc colours add RED, BLU, GRN, GLD, ORG suffix to part number.

⊗ - Also available as a Vintage Motorcycle Disc. ★ - EPFA available. ⊕ Disc made of Billet steel. ◆ CE solid discs for Enduro use.

Non-JAPANESE Built Motorcycles

Line #	BRAKE DISC CHOICES - FRONT			DISC PAD CHOICES - REAR				BRAKE DISC CHOICES - REAR					
	SMX Oversize 320mm Disc Kit Front Left	Front disc bolt kit	Front Brake Line	FA, SFA, TT Pad or Brake Shoe	SFAC Carbon Scooter Pads	Speciality Pads - SXR / Vee / MXS	Sintered HH/R Pads/ Grooved Shoes	Standard Replacement Disc	Contour Disc Rear Fitment	Vee Discs CONTOUR	CX Extreme MX Race Disc / UTVX Disc	Rear disc bolt kit	Rear Brake Line
1				SFA086	SFAC086								
2				SFA086	SFAC086								
3													
4													
5				FA115			FA115HH						
6				FA431TT			FA431R						
7				FA067TT			FA067R						
8				FA344TT			FA344R						
9				FA344TT			FA344R						
10													
11													
12				FA115			FA115HH						
13				FA115									
14				FA115			FA115HH						
15				FA115			FA115HH						
16				FA115			FA115HH						
17				FA115			FA115HH						
18				FA115			FA115HH						
19				FA208TT		MXS208	FA208R						
20													
21													
22							922G						
23				FA060									
24							841G						
25				FA115			FA115R						
26							841G						
27							922G						
28							841G						
29				945									
30				945									
31				945									
32				FA060									
33							841G						
34				909									
35							841G						
36							843G						
37							843G						
38							922G						
39				FA060									
40				995									
41							930G						
42				FA060									
43				995									
44							930G						
45				FA115			FA115R						
46				FA115			FA115R						
47				FA115			FA115R						
48							930G						
49				FA115			FA115R						
50				FA382									
51				FA382									
52				FA367TT		MXS367	FA367R						
53				FA367TT		MXS367	FA367R						
54				FA367TT		MXS367	FA367R						
55				FA382									
56							930G						
57				FA291									
58				FA346TT			FA346R						
59				FA346TT			FA346R						
60				FA346TT			FA346R						

REAR / ARRIÈRE / HINTEN / POSTERIOR / POSTERIORE

R Suffix = High Durability Sintered Pad. **HH** Suffix = High Performance Sintered Pad. **TT** Suffix = Hard Wearing Off Road Pad. **V** Suffix = Semi Sintered Pad. **G** Suffix = Grooved Shoe.
D Suffix = Drilled Disc. **X** Suffix = Universal Left or Right Disc. **XC** Suffix = Contoured Disc. **LS** Suffix = Left/Steel Disc. **RS** = Right/Steel Disc.

BRAKE APPLICATIONS

*-2 Sets Required. † For Vee disc colours add RED, BLU, GRN, GLD, ORG suffix to part number.

⊙ - Also available as a Vintage Motorcycle Disc. ★ - EPFA available. Ⓢ Disc made of Billet steel. ◆ CE solid discs for Enduro use.

Part numbers, prefixes, suffixes, photos and illustrations shown in this catalogue are trademarks and/or copyrights of EBC Brakes or the trademark owner A C Freeman Investments Ltd and use without express written permission of the owners is punishable by law.

Non-JAPANESE Built Motorcycles



FANTIC Contd.



DISC PAD CHOICES - FRONT

BRAKE DISC CHOICES - FRONT

R Suffix = High Durability Sintered Pad. **HH** Suffix = High Performance Sintered Pad. **TT** Suffix = Hard Wearing Off Road Pad. **V** Suffix = Semi Sintered Pad. **G** Suffix = Grooved Shoe.

D Suffix = Drilled Disc. **X** Suffix = Universal Left or Right Disc. **XC** Suffix = Contoured Disc. **LS** Suffix = Left/Steel Disc. **RS** = Right/Steel Disc.

FRONT / AVANT / VORN / FRENTE / ANTERIORE

		FA, SFA, TT Pad or Brake Shoe	SFAC Carbon Scooter Pads	Speciality Pads - SXR / Vee / MXS	Sintered/HH Pads/ Grooved Shoes	Standard Replacement Discs	Contour Disc Universal Left and Right	Vee-Discs Black † See note below	CX Extreme Disc / UTVX Disc	OSX Oversize 250mm or 280mm	Line #
TX 180 M 49cc/ Motard Casa 50M	2012-2015	FA465TT		MXS465	FA465R						1
TX 180 MR 49cc/ Motard Competizione 50MR	2012-2015	FA465TT		MXS465	FA465R						2
XE 50 Competition 2T	2021-2023	FA185TT		MXS185	FA185R						3
XE 50 Performance 2T	2021-2023	FA185TT		MXS185	FA185R						4
XM 50 Competition 2T	2021-2023	FA185TT		MXS185	FA185R						5
XM 50 Performance 2T	2021-2023	FA185TT		MXS185	FA185R						6
80 Caballero/Caballero RC R	1991	FA047		FA047V							7
80 Clubman R	1995	FA115			FA115R						8
80 Cross Competition R	1981				841G						9
80 Cross Competition R	1981				841G						10
80 Enduro R	1980				841G						11
80 Kaloa R	1987	FA060									12
80 Trial R	1983				922G						13
80 Trial R	1983				930G						14
125.5/245/305 R	1989	FA115			FA115R						15
Caballero 125 Deluxe	2017-2023	FA606			FA606HH★						16
Caballero 125 Flat Track	2017-2022	FA606			FA606HH★						17
Caballero 125 Rally	2023-2024	FA606			FA606HH★						18
Caballero 125 Regularita Competizione	2007-2009	FA181TT		MXS181	FA181R						19
Caballero 125 Scrambler	2017-2023	FA606			FA606HH★						20
Caballero 125 Supersei Motard	2007-2009	FA194			FA194HH						21
TR 125 CR Cross Competizione	2013	FA465TT		MXS465	FA465R						22
TR 125 MR Motard Competizione	2013	FA465TT		MXS465	FA465R						23
Trial 125/2 R	1980	FA099									24
TZ 125 CS Caballero Cross	2011-2012	FA465TT		MXS465	FA465R						25
TZ 125 ES Regularita Scuderia	2011-2012	FA465TT		MXS465	FA465R						26
TZ 125 SM Caballero Motard	2011-2012	FA095			FA095HH★						27
TZ 170 E 125 E/ Regularita Casa	2011-2015	FA465TT		MXS465	FA465R						28
TZ 170 ER 125 ER/ Caballero Regularita Competizione	2011-2015	FA465TT		MXS465	FA465R						29
TZ 170 M 125 SM/ Motard Casa	2011-2015	FA465TT		MXS465	FA465R						30
TZ 170 MR 125 SM/ Motard Competizione	2011-2015	FA465TT		MXS465	FA465R						31
XE 125 125cc 2T	2021-2024	FA755TT		MXS755	FA755R		MD6392C		MD6392CX	OSX6392	32
XEF 125 Competition 4T	2021-2022	FA135TT			FA135R						33
XEF 125 Performance 4T	2021-2022	FA135TT			FA135R						34
XMF 125 Competition Motard 4T	2021-2022	FA135TT			FA135R						35
XMF 125 Performance Motard 4T	2021-2022	FA135TT			FA135R						36
XX 125 125cc 2T	2021-2024	FA755TT		MXS755	FA755R		MD6392C		MD6392CX	OSX6392	37
200 R	1981				841G						38
201 Monoshock R	1986	FA099									39
TZ 200 ER 200 ER/ Caballero Regularita Competizione	2011-2015	FA465TT		MXS465	FA465R						40
TZ 200 MR 200 MR/ Motard	2011-2015	FA465TT		MXS465	FA465R						41
240 R	1981				841G						42
Trial 243 R	1987	FA099									43
250 E Competition 250cc 4T	2021	FA185TT		MXS185	FA185R						44
Casa E 250cc 4T	2017	FA664TT			FA664R						45
Casa Efi 250cc 4T	2017	FA185TT		MXS185	FA185R						46
K-ROO All Models R	1992-1995	FA115			FA115R						47
Section 125/249 R R	1995	FA115			FA115R						48
Section 125/249 R R	1995	FA115			FA115R						49
TF 250 ES R	2011-2013	FA465TT		MXS465	FA465R						50
TR 250 ES Enduro Six Day	2013	FA465TT		MXS465	FA465R						51
XEF 250 250 4T	2021-2023	FA755TT		MXS755	FA755R		MD6392C		MD6392CX	OSX6392	52
XEF 250 Trail 250 4T	2021-2022	FA755TT		MXS755	FA755R		MD6392C		MD6392CX	OSX6392	53
XEX 250 250 4T	2021-2024	FA755TT		MXS755	FA755R		MD6392C		MD6392CX	OSX6392	54
XX 250 250 2T	2021-2024	FA755TT		MXS755	FA755R		MD6392C		MD6392CX	OSX6392	55
300 Trial R	1984										56
TR 300 ES Enduro Six Day	2013	FA465TT		MXS465	FA465R						57
TZ 300 ES Regularita Scuderia	2011-2012	FA465TT		MXS465	FA465R						58
XE 300 2T	2023-2024	FA755TT		MXS755	FA755R		MD6392C		MD6392CX	OSX6392	59
301 Monoshock R	1986	FA099									60

*-2 Sets Required. † For Vee disc colours add RED, BLU, GRN, GLD, ORG suffix to part number.

⊗ - Also available as a Vintage Motorcycle Disc. ★ - EPFA available. ⚙ - Disc made of Billet steel. ♦ - CE solid discs for Enduro use.

Non-JAPANESE Built Motorcycles

Line #	BRAKE DISC CHOICES - FRONT			DISC PAD CHOICES - REAR				BRAKE DISC CHOICES - REAR					
	SMX Oversize 320mm Disc Kit Front Left	Front disc bolt kit	Front Brake Line	FA, SFA, TT Pad or Brake Shoe	SFAC Carbon Scooter Pads	Speciality Pads - SXR / Vee / MXS	Sintered HH/R Pads/ Grooved Shoes	Standard Replacement Disc	Contour Disc Rear Fitment	Vee Discs CONTOUR	CX Extreme MX Race Disc / UTVX Disc	Rear disc bolt kit	Rear Brake Line
1				FA346TT			FA346R						
2				FA346TT			FA346R						
3				FA131TT		MXS131	FA131R						
4				FA131TT		MXS131	FA131R						
5				FA131TT		MXS131	FA131R						
6				FA131TT		MXS131	FA131R						
7				FA060									
8				FA115			FA115R						
9							841G						
10							843G						
11							843G						
12				FA060									
13							922G						
14							930G						
15				FA115			FA115R						
16				FA213			FA213HH★						
17				FA213			FA213HH★						
18				FA213			FA213HH★						
19				FA367TT		MXS367	FA367R						
20				FA213			FA213HH★						
21				FA382									
22				FA346TT			FA346R						
23				FA346TT			FA346R						
24				FA099									
25				FA346TT			FA346R						
26				FA346TT			FA346R						
27				FA346TT			FA346R						
28				FA346TT			FA346R						
29				FA346TT			FA346R						
30				FA346TT			FA346R						
31				FA346TT			FA346R						
32				FA368TT		MXS368	FA368R				MD6190CX♦		
33				FA346TT		MXS346	FA346R						
34				FA131TT		MXS131	FA131R						
35				FA416TT			FA416R						
36				FA416TT			FA416R						
37				FA368TT		MXS368	FA368R				MD6190CX♦		
38							841G						
39							841G						
40				FA346TT			FA346R						
41				FA346TT			FA346R						
42							841G						
43				FA099									
44				FA131TT		MXS131	FA131R						
45				FA346TT		MXS346	FA346R						
46				FA346TT		MXS346	FA346R						
47				FA115			FA115R						
48				FA115			FA115R						
49				FA115			FA115R						
50				FA346TT			FA346R						
51				FA346TT			FA346R						
52				FA368TT		MXS368	FA367R				MD6190CX♦		
53				FA368TT		MXS368	FA368R				MD6190CX♦		
54				FA368TT		MXS368	FA368R				MD6190CX♦		
55				FA368TT		MXS368	FA368R				MD6190CX♦		
56							841G						
57				FA346TT			FA346R						
58				FA346TT			FA346R						
59				FA368TT		MXS368	FA368R				MD6190CX♦		
60							841G						

REAR / ARRIÈRE / HINTEN / POSTERIOR / POSTERIORE

R Suffix = High Durability Sintered Pad. **HH** Suffix = High Performance Sintered Pad. **TT** Suffix = Hard Wearing Off Road Pad. **V** Suffix = Semi Sintered Pad. **G** Suffix = Grooved Shoe.
D Suffix = Drilled Disc. **X** Suffix = Universal Left or Right Disc. **XC** Suffix = Contoured Disc. **LS** Suffix = Left/Steel Disc. **RS** = Right/Steel Disc.

*-2 Sets Required. † For Vee disc colours add RED, BLU, GRN, GLD, ORG suffix to part number.

⊙ - Also available as a Vintage Motorcycle Disc. ★ - EPFA available. ⚙ Disc made of Billet steel. ♦ CE solid discs for Enduro use.

Part numbers, prefixes, suffixes, photos and illustrations shown in this catalogue are trademarks and/or copyrights of EBC Brakes or the trademark owner A C Freeman Investments Ltd and use without express written permission of the owners is punishable by law.

Non-JAPANESE Built Motorcycles



FANTIC Contd.

303 Monoshock R	1987
309 R	1992
XEF 450 450 4T	2021-2022
XXF 450 450 4T	2021-2024
Caballero 500 Anniversary	2017-2022
Caballero 500 Deluxe	2017-2022
Caballero 500 Explorer	2017-2022
Caballero 500 Flat Track	2017-2022
Caballero 500 Rally	2017-2022
Caballero 500 Scrambler	2017-2022
Caballero 700 Scrambler	2023-2024

FB MINARELLI SPAIN

Rieju Marathon	1974
MR 80	1990

FYM/X-SPORT

X-Sport CR3	2006
CR 90 E	2006-2007
110 ES	2006-2007
110 ES R X-Sport	2006-2007
CR 110	2006-2007
CR 110 ESR	2006-2007
CR 125 R	2006-2007
CR3 125	2006-2007
FYM 125 EY-5 X Sport CR3/CR125	2006-2007
X-Sport Typhoon 125 Quad	2006-2007

GARELLI

50 Team Matic	1988
50 Tiger XLE	1986
Capri 50 DF50QT-7	2006
Capri LX 50	2006-2008
Ciclone 50	2007-2008
Flexi 50	2009-2012
Formuno 50	1987
Formuno 50	1987
Grinta	1995
GSP 50	2009-2012
Queenie	1995
Sahel 50	1991
Tiesse 50	2008-2010
Tiesse 50	2008-2010
Urka 50	1991
VIP 50	2007
VIP 50	2008
XO 50	2009
XO 50 2T/4T - TM50QT-31	2010-2012
XO 50'e Electric	2012
Sahel 80	1991
125 Tiger XLE	1986
125 XR/XRD Tiger	1983
Comfort 125	2007
Flexi 125	2009-2012
GTA 125	1985
GTA 125	1986
RSX 125	1981
Tiger 125	2007
TSR 125	1983
TSR 125	1983

	DISC PAD CHOICES - FRONT				BRAKE DISC CHOICES - FRONT					Line #
	FA, SFA, TT Pad or Brake Shoe	SFAC Carbon Scooter Pads	Speciality Pads - SXR / Vee / MXS	Sintered/HH Pads/ Grooved Shoes	Standard Replacement Discs	Contour Disc Universal Left and Right	Vee-Discs Black † See note below	CX Extreme Disc / UTVX Disc	OSX Oversize 250mm or 280mm	
	FA099									1
	FA115			FA115R						2
	FA755TT		MXS755	FA755R		MD6392C		MD6392CX	OSX6392	3
	FA755TT		MXS755	FA755R		MD6392C		MD6392CX	OSX6392	4
	FA606			FA606HH★						5
	FA606			FA606HH★						6
	FA606			FA606HH★						7
	FA606			FA606HH★						8
	FA606			FA606HH★						9
	FA606			FA606HH★						10
	FA606			FA606HH★						11
										12
										13
	985									14
	FA115			FA115R						15
										16
										17
										18
	SFA169	SFAC169		SFA169HH						19
	SFA169	SFAC169		SFA169HH						20
	SFA169	SFAC169		SFA169HH						21
	SFA169	SFAC169		SFA169HH						22
	SFA169	SFAC169		SFA169HH						23
	SFA169	SFAC169		SFA169HH						24
	SFA169	SFAC169		SFA169HH						25
	SFA169	SFAC169		SFA169HH						26
	SFA169*	SFAC169*		SFA169HH*						27
										28
										29
	877									30
	FA256									31
	SFA169	SFAC169		SFA169HH						32
	SFA169	SFAC169		SFA169HH						33
	SFA169	SFAC169		SFA169HH						34
	SFA235	SFAC235								35
										36
										37
	SFA083	SFAC083		SFA083HH	MD904D		VR904			38
	SFA235	SFAC235								39
	SFA083	SFAC083		SFA083HH	MD904D		VR904			40
	FA116									41
	SFA235	SFAC235								42
	SFA235	SFAC235								43
	FA047									44
	SFA235	SFAC235								45
	SFA169	SFAC169		SFA169HH						46
	SFA235	SFAC235								47
	SFA235	SFAC235								48
	SFA086	SFAC086		SFA086HH						49
	FA116									50
	FA256									51
	FA047									52
	SFA086	SFAC086		SFA086HH						53
	SFA235	SFAC235								54
	FA060*									55
	FA060*									56
				821G						57
	FA197			FA197HH★						58
	FA076			FA076HH						59
										60

FRONT / AVANT / VORN / FRENTE / ANTERIORE

R Suffix = High Durability Sintered Pad. HH Suffix = High Performance Sintered Pad. TT Suffix = Hard Wearing Off Road Pad. V Suffix = Semi Sintered Pad. G Suffix = Grooved Shoe.
D Suffix = Drilled Disc. X Suffix = Universal Left or Right Disc. XC Suffix = Contoured Disc. LS Suffix = Left/Steel Disc. RS = Right/Steel Disc.

*-2 Sets Required. † For Vee disc colours add RED, BLU, GRN, GLD, ORG suffix to part number.

⊗ - Also available as a Vintage Motorcycle Disc. ★ - EPFA available. ⚙ Disc made of Billet steel. ♦ CE solid discs for Enduro use.

Non-JAPANESE Built Motorcycles

**BRAKE
APPLICATIONS**

Line #	BRAKE DISC CHOICES - FRONT			DISC PAD CHOICES - REAR				BRAKE DISC CHOICES - REAR					
	SMX Oversize 320mm Disc Kit Front Left	Front disc bolt kit	Front Brake Line	FA, SFA, TT Pad or Brake Shoe	SFAC Carbon Scooter Pads	Speciality Pads - SXR / Vee / MXS	Sintered HH/R Pads/ Grooved Shoes	Standard Replacement Disc	Contour Disc Rear Fitment	Vee Discs CONTOUR	CX Extreme MX Race Disc / UTVX Disc	Rear disc bolt kit	Rear Brake Line
1				FA099									
2				FA115			FA115R						
3				FA368TT		MXS368	FA368R				MD6190CX♦		
4				FA368TT		MXS368	FA368R				MD6190CX♦		
5				FA213			FA213HH★						
6				FA213			FA213HH★						
7				FA213			FA213HH★						
8				FA213			FA213HH★						
9				FA213			FA213HH★						
10				FA213			FA213HH★						
11				FA213			FA213HH★						
12													
13													
14				985									
15													
16													
17													
18				SFA115	SFAC115		SFA115HH						
19				H338			H338G						
20				H338			H338G						
21				SFA115	SFAC115		SFA115HH						
22				SFA115	SFAC115		SFA115HH						
23				SFA115	SFAC115		SFA115HH						
24				SFA115	SFAC115		SFA115HH						
25				SFA115	SFAC115		SFA115HH						
26				SFA115	SFAC115		SFA115HH						
27				SFA115	SFAC115		SFA115HH						
28													
29													
30				931									
31				FA099									
32													
33													
34													
35													
36				931									
37				931									
38				Y503									
39				SFA115	SFAC115								
40				Y503									
41				FA115			FA115R						
42				Y503									
43				Y503									
44													
45													
46													
47				Y503									
48				SFA235	SFAC235								
49				SFA101	SFAC101		SFA101HH						
50				FA115			FA115R						
51				FA060									
52													
53													
54													
55													
56				FA060									
57							821G						
58				FA197			FA197HH★						
59				921									
60				921									

REAR / ARRIÈRE / HINTEN / POSTERIOR / POSTERIORE

R Suffix = High Durability Sintered Pad. **HH** Suffix = High Performance Sintered Pad. **TT** Suffix = Hard Wearing Off Road Pad. **V** Suffix = Semi Sintered Pad. **G** Suffix = Grooved Shoe.
D Suffix = Drilled Disc. **X** Suffix = Universal Left or Right Disc. **XC** Suffix = Contoured Disc. **LS** Suffix = Left/Steel Disc. **RS** = Right/Steel Disc.

*-2 Sets Required. † For Vee disc colours add RED, BLU, GRN, GLD, ORG suffix to part number.

⊙ - Also available as a Vintage Motorcycle Disc. ★ - EPFA available. ⚙ - Disc made of Billet steel. ♦ - CE solid discs for Enduro use.

Part numbers, prefixes, suffixes, photos and illustrations shown in this catalogue are trademarks and/or copyrights of EBC Brakes or the trademark owner A C Freeman Investments Ltd and use without express written permission of the owners is punishable by law.

Non-JAPANESE Built Motorcycles



GARELLI Contd.



XO 125i TM 125 T	2009-2012
Fashion 150	2007
Joker 125/150	2002
Mosquito 150	2007
XO 150i TM 150 T	2009-2012
XO 200i TM 200 T	2010-2012
Panther 125/150/250	2002
Trial 320	1985
Trial 323	1986
Skynet 250/400	2002

GAS-GAS

Cross MC 50	2006
EC 50	2005
EC 50	2006-2007
EC 50 Boy	2001-2004
EC 50 Boy	2005
EC 50 Boy	2005-2007
EC 50 Rookie	2001-2004
HP 50 Wild Quad	2004-2007
J50 Quad	2006
SM 50	2005
SM 50 Rookie	2001-2004
TXT 50 Boy	2001
TXT 50 Boy	2004-2015
TXT 50 Cadet	2006-2009
TXT 50 Rookie	2002-2003
TXT 50 Rookie	2004-2008
MC 65 Cross	2006
MC 65 MX	2005-2008
TXT 80 Cadet	2006
TXT 80 Cadet	2007-2009
TXT 80 Pro Racing	2015
TXT 80 Rookie	2002-2003
TXT 80 Rookie	2004-2009
EC 125/200/250/300	1997-1999
EC 125/200/250/300	2000-2008
EC 125/200/250/300	2009-2010
EC 125/200/250/300	2011-2015
JTX 125/200/270/320	1995-1998
MX 125/250	2001-2008
MX 125/250	2009-2011
Pampera 125	2005-2008
Pampera 125/250/370	1996-1997
Pampera 125/250/370	2004
SM 125 Supermotard	2003-2006
SM Halley 125cc	2009
Trail Halley 125cc	2009
Trial GP 125/250/280/300	2020
TXT 125 Randonne 4T	2011-2015
TXT 125/200/249/280/321	2000-2003
TXT 125/250/280/300	2012-2013
TXT 125/250/280/300	2012-2014
TXT 125/250/280/300 Racing Models	2014-2019
TXT 125/250/280/300 Racing Models	2020
TXT 125/250/280/300 Replica Factory Models	2013-2014
TXT Pro 125/200/250/280/300	2004-2011
EC 200/250/300XC/250/300 Euro4	2018-2020
EC Ranger 200/300	2018-2020
EC Six Days 250/300	2019

DISC PAD CHOICES - FRONT				BRAKE DISC CHOICES - FRONT					Line #
FA, SFA, TT Pad or Brake Shoe	SFAC Carbon Scooter Pads	Speciality Pads - SXR / Vee / MXS	Sintered/HH Pads/ Grooved Shoes	Standard Replacement Discs	Contour Disc Universal Left and Right	Vee-Discs Black † See note below	CX Extreme Disc / UTVX Disc	OSX Oversize 250mm or 280mm	
SFA086	SFAC086		SFA086HH						1
SFA054	SFAC054		SFA054HH						2
SFA264	SFAC264		SFA264HH						3
FA086			FA086HH						4
SFA086	SFAC086		SFA086HH						5
SFA086	SFAC086		SFA086HH						6
SFA257	SFAC257								7
			841G						8
FA115			FA115R						9
SFA281	SFAC281		SFA281HH						10
									11
									12
FA291									13
FA194									14
FA115TT			FA115R						15
FA291									16
FA115		MXS115							17
FA303TT									18
FA167									19
FA181TT*		MXS181*	FA181R*						20
									21
FA194									22
FA167									23
FA291									24
FA115TT		MXS115	FA115R						25
FA115TT		MXS115	FA115R						26
FA291									27
FA303TT									28
FA351TT									29
FA351TT									30
FA351TT									31
FA303TT									32
FA303TT									33
FA291									34
FA303TT									35
FA181TT		MXS181	FA181R						36
FA185TT		MXS185	FA185R	MD6289D	MD6289C				37
FA185TT		MXS185	FA185R	MD6289D	MD6289C				38
FA185TT		MXS185	FA185R		MD6289C				39
FA115TT		MXS115	FA115R						40
FA185TT		MXS185	FA185R	MD6289D					41
FA185TT		MXS185	FA185R	MD6289D					42
FA194			FA194HH						43
FA115TT		MXS115	FA115R						44
FA194			FA194HH						45
FA095			FA095HH★	MD6209D					46
FA095			FA095HH★						47
FA185TT		MXS185	FA185R						48
FA291									49
FA303TT									50
FA291									51
FA303TT									52
FA612TT			FA612R						53
FA644TT									54
FA291									55
FA644TT									56
FA303TT									57
FA185TT		MXS185	FA185R						58
FA185TT		MXS185	FA185R						59
FA185TT		MXS185	FA185R						60

FRONT / AVANT / VORN / FRENTE / ANTERIORE

R Suffix = High Durability Sintered Pad. HH Suffix = High Performance Sintered Pad. TT Suffix = Hard Wearing Off Road Pad. V Suffix = Semi Sintered Pad. G Suffix = Grooved Shoe.
D Suffix = Drilled Disc. X Suffix = Universal Left or Right Disc. XC Suffix = Contoured Disc. LS Suffix = Left/Steel Disc. RS = Right/Steel Disc.

*-2 Sets Required. † For Vee disc colours add RED, BLU, GRN, GLD, ORG suffix to part number.

⊙ - Also available as a Vintage Motorcycle Disc. ★ - EPFA available. ⚙ Disc made of Billet steel. ♦ CE solid discs for Enduro use.

Non-JAPANESE Built Motorcycles

Line #	BRAKE DISC CHOICES - FRONT			DISC PAD CHOICES - REAR				BRAKE DISC CHOICES - REAR					
	SMX Oversize 320mm Disc Kit Front Left	Front disc bolt kit	Front Brake Line	FA, SFA, TT Pad or Brake Shoe	SFAC Carbon Scooter Pads	Speciality Pads - SXR / Vee / MXS	Sintered HH/R Pads/ Grooved Shoes	Standard Replacement Disc	Contour Disc Rear Fitment	Vee Discs CONTOUR	CX Extreme MX Race Disc / UTVX Disc	Rear disc bolt kit	Rear Brake Line
1				SFA101	SFAC101		SFA101HH						
2													
3													
4													
5				SFA101	SFAC101		SFA101HH						
6				SFA101	SFAC101		SFA101HH						
7													
8							841G						
9							930G						
10				SFA193			SFA193HH						
11													
12													
13				FA351TT									
14				FA291									
15				FA351TT									
16				FA291									
17				FA351TT									
18				FA351TT									
19				FA291									
20				FA181TT		MXS181	FA181R						
21				FA115TT			FA115R						
22				FA291									
23				FA291									
24				FA291									
25				FA115TT		MXS115	FA115R						
26				FA351TT									
27				FA291									
28				FA351TT									
29				FA351TT									
30				FA115									
31				FA351TT									
32				FA351TT									
33				FA351TT									
34				FA291									
35				FA351TT									
36				FA208TT		MXS208	FA208R	MD6253D					
37				FA131TT		MXS131	FA131R	MD6253D	MD6253C				
38				FA367TT		MXS367	FA367R	MD6253D	MD6253C				
39				FA367TT		MXS367	FA367R		MD6253C				
40				FA115TT		MXS115	FA115R						
41				FA131TT		MXS131	FA131R	MD6253D					
42				FA367TT		MXS367	FA367R	MD6253D					
43				FA131TT		MXS131	FA131R						
44				FA115TT		MXS115	FA115R						
45				FA291									
46				FA131TT		MXS131	FA131R	MD6253D					
47				FA131TT		MXS131	FA131R						
48				FA131TT		MXS131	FA131R						
49				FA351TT									
50				FA351TT									
51				FA291									
52				FA351TT									
53				FA351TT									
54				FA351TT									
55				FA351TT									
56				FA351TT									
57				FA351TT									
58				FA367TT		MXS367	FA367R						
59				FA367TT		MXS367	FA367R						
60				FA367TT		MXS367	FA367R						

REAR / ARRIÈRE / HINTEN / POSTERIOR / POSTERIORE

R Suffix = High Durability Sintered Pad. **HH** Suffix = High Performance Sintered Pad. **TT** Suffix = Hard Wearing Off Road Pad. **V** Suffix = Semi Sintered Pad. **G** Suffix = Grooved Shoe.
D Suffix = Drilled Disc. **X** Suffix = Universal Left or Right Disc. **XC** Suffix = Contoured Disc. **LS** Suffix = Left/Steel Disc. **RS** = Right/Steel Disc.

BRAKE APPLICATIONS

*-2 Sets Required. † For Vee disc colours add RED, BLU, GRN, GLD, ORG suffix to part number.

⊙ - Also available as a Vintage Motorcycle Disc. ★ - EPFA available. ⚙ Disc made of Billet steel. ♦ CE solid discs for Enduro use.

Part numbers, prefixes, suffixes, photos and illustrations shown in this catalogue are trademarks and/or copyrights of EBC Brakes or the trademark owner A C Freeman Investments Ltd and use without express written permission of the owners is punishable by law.

Non-JAPANESE Built Motorcycles



GAS-GAS Contd.



DISC PAD CHOICES - FRONT

BRAKE DISC CHOICES - FRONT

FRONT / AVANT / VORN / FRENTE / ANTERIORE

Model	Year	Side	DISC PAD CHOICES - FRONT			BRAKE DISC CHOICES - FRONT					Line #	
			FA, SFA, TT Pad or Brake Shoe	SFAC Carbon Scooter Pads	Speciality Pads - SXR / Vee / MXS	Sintered/HH Pads/ Grooved Shoes	Standard Replacement Discs	Contour Disc Universal Left and Right	Vee-Discs Black † See note below	CX Extreme Disc / UTVX Disc		OSX Oversize 250mm or 280mm
MX 200/250/300	1999-2000		FA185TT		MXS185	FA185R						1
TX 200/270/320	1998		FA115TT		MXS115	FA115R						2
TXT 200 Randonne 4T	2011-2015		FA303TT									3
TXT 200/270/321	1999		FA291									4
XC 200/250/300	2020		FA185TT		MXS185	FA185R						5
Contact JT25 238cc	1993-1994		FA115TT		MXS115	FA115R						6
HP 240 Quad	2004-2006		FA181TT*		MXS181*	FA181R*						7
Pampera 240	1998-1999		FA115TT		MXS115	FA115R						8
Contact RR 250/300	2020		FA303TT									9
EC 250 F All Models/4T	2012-2015		FA185TT		MXS185	FA185R						10
EC Cami 250F	2014-2015		FA465TT		MXS465	FA465R						11
KS 250 RV Quad	2006	Left				FA135R						12
		Right	FA165TT			FA165R						13
Pampera 250	2002-2003		FA194			FA194HH						14
TXT 250 Contact	2015		FA303TT									15
EC 300 F All Models/4T	2013-2015		FA185TT		MXS185	FA185R						16
HP 300 RV Quad	2003-2006		FA181TT*		MXS181*	FA181R*						17
Pampera 400 400	2006		FA181TT		MXS181	FA181R						18
SM 400 FSE R	2001-2002		FA095			FA095HH★	MD6209D					19
EC 450 FSR/FSE Enduro 4T	2005-2009		FA185TT		MXS185	FA185R	MD6289D					20
EC 450 Raid 4T	2014		FA185TT		MXS185	FA185R						21
EC 450F All Models 4T	2013-2015		FA185TT		MXS185	FA185R						22
HP 450 Wild Quad	2004-2009		FA181TT*		MXS181*	FA181R*						23
Pampera 450 4T	2007-2008		FA185TT		MXS185	FA185R	MD6289D					24
SM 450 FSR Supermotard	2007-2009		FA095			FA095HH★	MD6209D					25
SM Halley 450 4T	2009		FA185TT		MXS185	FA185R						26
Trail Halley 450 4T	2009		FA185TT		MXS185	FA185R						27
EC 515 FSR/FSE Enduro	2005-2009		FA185TT		MXS185	FA185R	MD6289D					28
HP 515cc Wild Quad	2009		FA181TT		MXS181	FA181R						29
SM 515 FSR Supermotard	2007-2009		FA095			FA095HH★	MD6209D					30
TXE Electric Bike	2020		FA291									31
TXT-E Full Size Electric Bike	2012-2014		FA303TT									32
												33
												34
												35
MC 50	2021-2024		FA325TT			FA325R						36
MC 65	2021-2022		FA357TT			FA357R	MD6243D			MD6243CX		37
MC 65	2023-2024		FA368TT		MXS368	FA368R	MD6243D			MD6243CX		38
MC 85	2021-2024		FA181TT		MXS181	FA181R				MD6379CX		39
MC 85	2021-2024		FA181TT		MXS181	FA181R				MD6379CX		40
MC 125	2021-2024		FA181TT		MXS181	FA181R	MD6032D			MD6032CX	OSX6032	41
TXT Racing 125cc	2020-2024		FA291									42
EC 250 Enduro	2021-2024		FA181TT		MXS181	FA181R	MD6032D			MD6032CX	OSX6032	43
EC 250F Enduro	2021-2024		FA181TT		MXS181	FA181R	MD6032D			MD6032CX	OSX6032	44
EX 250 Cross Country	2021-2023		FA181TT		MXS181	FA181R	MD6032D			MD6032CX	OSX6032	45
EX 250 F Cross Country	2021-2023		FA181TT		MXS181	FA181R	MD6032D			MD6032CX	OSX6032	46
MC 250 2T	2021-2024		FA181TT		MXS181	FA181R	MD6032D			MD6032CX	OSX6032	47
MC 250F 4T	2021-2024		FA181TT		MXS181	FA181R	MD6032D			MD6032CX	OSX6032	48
TXT GP 250	2020-2024		FA291									49
TXT Racing 250	2020-2024		FA291									50
TXT GP 280	2020-2022		FA291									51
TXT Racing 280	2020-2024		FA291									52
EC 300 Enduro	2021-2024		FA181TT		MXS181	FA181R	MD6032D			MD6032CX	OSX6032	53
EX 300 Cross Country	2021-2023		FA181TT		MXS181	FA181R	MD6032D			MD6032CX	OSX6032	54
TXT GP 300	2020-2024		FA291									55
TXT Racing 300	2020-2024		FA291									56
EC 350F Enduro	2021-2024		FA181TT		MXS181	FA181R	MD6032D			MD6032CX	OSX6032	57
EX 350F Cross Country	2021-2023		FA181TT		MXS181	FA181R	MD6032D			MD6032CX	OSX6032	58
MC 350F	2021-2024		FA181TT		MXS181	FA181R	MD6032D			MD6032CX	OSX6032	59
EC 450F Enduro	2023-2024		FA181TT		MXS181	FA181R	MD6032D			MD6032CX	OSX6032	60
EX 450F Cross Country	2021-2023		FA181TT		MXS181	FA181R	MD6032D			MD6032CX	OSX6032	60

*-2 Sets Required. † For Vee disc colours add RED, BLU, GRN, GLD, ORG suffix to part number.

⊗ - Also available as a Vintage Motorcycle Disc. ★ - EPFA available. ⚙ - Disc made of Billet steel. ♦ - CE solid discs for Enduro use.

Non-JAPANESE Built Motorcycles

Line #	BRAKE DISC CHOICES - FRONT			DISC PAD CHOICES - REAR				BRAKE DISC CHOICES - REAR					
	SMX Oversize 320mm Disc Kit Front Left	Front disc bolt kit	Front Brake Line	FA, SFA, TT Pad or Brake Shoe	SFAC Carbon Scooter Pads	Speciality Pads - SXR / Vee / MXS	Sintered HH/R Pads/ Grooved Shoes	Standard Replacement Disc	Contour Disc Rear Fitment	Vee Discs CONTOUR	CX Extreme MX Race Disc / UTVX Disc	Rear disc bolt kit	Rear Brake Line
1				FA131TT		MXS131	FA131R	MD6253D					
2				FA115TT		MXS115	FA115R						
3				FA351TT									
4				FA291									
5				FA367TT		MXS367	FA367R						
6				FA115TT		MXS115	FA115R						
7				FA181TT		MXS181	FA181R						
8				FA115TT		MXS115	FA115R						
9				FA351TT									
10				FA367TT		MXS367	FA367R						
11				FA093									
12													
13													
14				FA291									
15				FA351TT									
16				FA367TT		MXS367	FA367R						
17				FA181TT		MXS181	FA181R						
18				FA131TT		MXS131	FA131R						
19				FA131TT		MXS131	FA131R	MD6253D					
20				FA131TT		MXS131	FA131R						
21				FA367TT		MXS367	FA367R						
22				FA367TT		MXS367	FA367R						
23				FA181TT		MXS181	FA181R						
24				FA131TT		MXS131	FA131R						
25				FA131TT		MXS131	FA131R	MD6253D					
26				FA131TT		MXS131	FA131R						
27				FA131TT		MXS131	FA131R						
28				FA131TT		MXS131	FA131R						
29				FA181TT		MXS181	FA181R						
30				FA131TT		MXS131	FA131R	MD6253D					
31				FA351TT									
32				FA351TT									
33													
34													
35				FA325TT			FA325R						
36				FA357TT			FA357R						
37				FA368TT		MXS368	FA368R						
38		DB603/4		FA368TT		MXS368	FA368R		MD6407C		MD6407CX	DB603/4	
39		DB603/4		FA368TT		MXS368	FA368R		MD6407C		MD6407CX	DB603/4	
40	SMX6032	DB603/6		FA368TT			FA368R		MD6360C				
41				FA351TT									
42	SMX6032	DB603/6		FA368TT			FA368R	MD6035D			MD6035CX♦	DB603/6	
43	SMX6032	DB603/6		FA368TT			FA368R	MD6035D			MD6035CX♦	DB603/6	
44	SMX6032	DB603/6		FA368TT			FA368R	MD6035D			MD6035CX♦	DB603/6	
45	SMX6032	DB603/6		FA368TT			FA368R	MD6035D			MD6035CX♦	DB603/6	
46	SMX6032	DB603/6		FA368TT			FA368R	MD6035D			MD6035CX♦	DB603/6	
47	SMX6032	DB603/6		FA368TT			FA368R	MD6035D			MD6035CX♦	DB603/6	
48				FA351TT									
49				FA351TT									
50				FA351TT									
51				FA351TT									
52	SMX6032	DB603/6		FA368TT			FA368R	MD6035D			MD6035CX♦	DB603/6	
53	SMX6032	DB603/6		FA368TT			FA368R	MD6035D			MD6035CX♦	DB603/6	
54				FA351TT									
55				FA351TT									
56	SMX6032	DB603/6		FA368TT			FA368R	MD6035D			MD6035CX♦	DB603/6	
57	SMX6032	DB603/6		FA368TT			FA368R	MD6035D			MD6035CX♦	DB603/6	
58	SMX6032	DB603/6		FA368TT			FA368R	MD6035D			MD6035CX♦	DB603/6	
59	SMX6032	DB603/6		FA368TT			FA368R	MD6035D			MD6035CX♦	DB603/6	
60	SMX6032	DB603/6		FA368TT			FA368R	MD6035D			MD6035CX♦	DB603/6	

REAR / ARRIÈRE / HINTEN / POSTERIOR / POSTERIORE

R Suffix = High Durability Sintered Pad. **HH** Suffix = High Performance Sintered Pad. **TT** Suffix = Hard Wearing Off Road Pad. **V** Suffix = Semi Sintered Pad. **G** Suffix = Grooved Shoe.
D Suffix = Drilled Disc. **X** Suffix = Universal Left or Right Disc. **XC** Suffix = Contoured Disc. **LS** Suffix = Left/Steel Disc. **RS** = Right/Steel Disc.

*-2 Sets Required. † For Vee disc colours add RED, BLU, GRN, GLD, ORG suffix to part number.

⊙ - Also available as a Vintage Motorcycle Disc. ★ - EPFA available. Ⓢ Disc made of Billet steel. ♦ CE solid discs for Enduro use.

Part numbers, prefixes, suffixes, photos and illustrations shown in this catalogue are trademarks and/or copyrights of EBC Brakes or the trademark owner A C Freeman Investments Ltd and use without express written permission of the owners is punishable by law.

Non-JAPANESE Built Motorcycles



GAS-GAS PIERER MOB



Contd.

		DISC PAD CHOICES - FRONT			BRAKE DISC CHOICES - FRONT						
		FA, SFA, TT Pad or Brake Shoe	SFAC Carbon Scooter Pads	Speciality Pads - SXR / Vee / MXS	Sintered/HH Pads/ Grooved Shoes	Standard Replacement Discs	Contour Disc Universal Left and Right	Vee-Discs Black † See note below	CX Extreme Disc / UTVX Disc	OSX Oversize 250mm or 280mm	Line #
MC 450F	2021-2024	FA181TT		MXS181	FA181R	MD6032D			MD6032CX	OSX6032	1
MC 450F Factory Edition	2023-2024	FA181TT		MXS181	FA181R	MD6032D			MD6032CX	OSX6032	2
MC 450F Troy Lee Designs Bam Bam styler	2022-2023	FA181TT		MXS181	FA181R	MD6032D			MD6032CX	OSX6032	3
RX 450F Rally Replica	2023-2024				FA209/2HH★	MD6130D			MD6130CX		4
MC 500F	2024	FA181TT		MXS181	FA181R	MD6032D			MD6032CX	OSX6032	5
ES 700	2022-2023	FA209/2			FA209/2HH★	MD844X	MD844XC				6
SM 700	2022-2024				FA630HH★	MD6414D					7
MC-E 3 Electric	2024	FA325TT			FA325R						8
MC-E 5 Electric	2021-2023	FA325TT			FA325R						9
GENERIC / KSR											
Classic 50 50	2017-2018	SFA086	SFAC086		SFA086HH						10
Cracker 50	2009-2018	SFA235	SFAC235			MD923D		VR923			11
Demonio 50	2017-2018	FA707									12
Epico 50	2010-2018	SFA235	SFAC235								13
GT Race Explorer 50	2009	SFA235	SFAC235			MD971D		VR971			14
Ideo 50 50	2005-2014	SFA235	SFAC235			MD923D		VR923			15
Jump 50	2012-2018	SFA083	SFAC083		SFA083HH						16
Mini Trigger 50 SM	2008-2009	FA448									17
Mini Trigger X	2008-2009	FA448									18
Onyx 50	2010-2018	SFA193	SFAC193		SFA193HH						19
Pandora 50	2013-2018	SFA235	SFAC235								20
Race 2 50	2010-2014	SFA235	SFAC235								21
Roc 50	2008-2011	SFA235	SFAC235			MD923D		VR923			22
Sirion 50	2012-2020	SFA235	SFAC235					VR923			23
Toxic 50	2007-2008	FA194			FA194HH						24
Toxic 50 Sport	2012-2018	SFA235	SFAC235								25
Trigger 50 SM	2006-2018	FA194			FA194HH						26
Trigger 50 X TR	2006-2018	FA194			FA194HH						27
Vendetta 50	2012-2013	SFA264	SFAC264		SFA264HH						28
Vertigo 50	2012-2014	SFA086	SFAC086								29
XOR 50	2005-2014	SFA235	SFAC235			MD923D		VR923			30
Madison 110	2013-2014	SFA086	SFAC086		SFA086HH						31
Venos 110	2013-2014	SFA086	SFAC086		SFA086HH						32
Classic 125	2017-2018	FA707									33
Code 125	2017-2020	FA707									34
Code S 125/150/200	2012-2016	FA658									35
Code X 125/150/200	2012-2016	FA658									36
Demonio 125	2017-2018	FA707									37
GRS 125	2013-2016	FA658									38
GRS 125	2017-2020	FA707									39
Inox 125	2012-2014	SFA228	SFAC228		SFA228HH						40
Race 2 125	2010-2014	SFA235	SFAC235								41
Race 2 125	2018	SFA707	SFAC707								42
Sirion 125	2012-2018	SFA235	SFAC235					VR923			43
Sirion 125	2018-2020	SFA707	SFAC707								44
Soho 125/150	2006-2015	SFA235	SFAC235								45
TR 125 SM	2012-2016	FA228			FA228HH						46
TR 125 SM	2017-2018	FA707									47
TR 125 X	2017-2018	FA707									48
Trigger 125 SM	2008-2009	FA194			FA194HH						49
Trigger 125 X	2008-2009	FA194			FA194HH						50
TW 125 SM	2013-2016										51
TW 125 SM	2017-2020	FA707									52
Vertigo 125	2013-2018	SFA086	SFAC086		SFA086HH						53
Worx 125	2017-2018	FA711									54
Worx 125/150	2012-2016	FA197			FA197HH★						55
XOR 125	2005-2011	SFA235	SFAC235			MD923D		VR923			56
Zion 125/150	2008-2010	SFA228	SFAC228		SFA228HH						57
Zion 125/150	2011-2016	SFA228	SFAC228		SFA228HH						58

FRONT / AVANT / VORN / FRENTE / ANTERIORE

R Suffix = High Durability Sintered Pad. HH Suffix = High Performance Sintered Pad. TT Suffix = Hard Wearing Off Road Pad. V Suffix = Semi Sintered Pad. G Suffix = Grooved Shoe.
D Suffix = Drilled Disc. X Suffix = Universal Left or Right Disc. XC Suffix = Contoured Disc. LS Suffix = Left/Steel Disc. RS = Right/Steel Disc.

*-2 Sets Required. † For Vee disc colours add RED, BLU, GRN, GLD, ORG suffix to part number.

⊗ - Also available as a Vintage Motorcycle Disc. ★ - EPFA available. ⚙ Disc made of Billet steel. ♦ CE solid discs for Enduro use.

222 Part numbers, prefixes, suffixes, photos and illustrations shown in this catalogue are trademarks and/or copyrights of EBC Brakes or the trademark owner A C Freeman Investments Ltd and use without express written permission of the owners is punishable by law.

Non-JAPANESE Built Motorcycles

**BRAKE
APPLICATIONS**

Line #	BRAKE DISC CHOICES - FRONT			DISC PAD CHOICES - REAR				BRAKE DISC CHOICES - REAR					
	SMX Oversize 320mm Disc Kit Front Left	Front disc bolt kit	Front Brake Line	FA, SFA, TT Pad or Brake Shoe	SFAC Carbon Scooter Pads	Speciality Pads - SXR / Vee / MXS	Sintered HH/R Pads/ Grooved Shoes	Standard Replacement Disc	Contour Disc Rear Fitment	Vee Discs CONTOUR	CX Extreme MX Race Disc / UTVX Disc	Rear disc bolt kit	Rear Brake Line
1	SMX6032	DB603/6		FA368TT			FA368R	MD6035D			MD6035CX♦	DB603/6	
2	SMX6032	DB603/6		FA368TT			FA368R	MD6035D			MD6035CX♦	DB603/6	
3	SMX6032	DB603/6		FA368TT			FA368R	MD6035D			MD6035CX♦	DB603/6	
4				FA368TT			FA368R	MD6035D			MD6035CX♦	DB603/6	
5	SMX6032	DB603/6		FA368TT			FA368R	MD6035D			MD6035CX♦	DB603/6	
6				FA208TT		MXS208	FA208R		MD6417C				
7				FA208TT		MXS208	FA208R	TBC					
8				FA325TT			FA325R						
9				FA325TT			FA325R						
10													
11													
12				Y503									
13				Y503									
14				SFA083									
15				Y503									
16				Y503									
17				Y503									
18				Y503									
19				FA448									
20				FA448									
21				Y503									
22				Y503									
23				Y503									
24				Y503									
25				Y503									
26				FA060									
27				Y503									
28				FA060									
29				FA060									
30				Y503									
31				Y503									
32				Y503									
33													
34													
35				SFA415									
36				FA197									
37				FA298									
38				FA298									
39				SFA083									
40				SFA298	SFAC298		SFA298HH						
41				FA298									
42													
43				Y503									
44				SFA083									
45				Y503									
46				SFA083									
47				Y527									
48				FA298			SFA298HH						
49				FA298			SFA298HH						
50				FA298									
51				FA060									
52				FA060									
53				FA298									
54				FA298									
55				Y503									
56				FA197									
57				FA298									
58				Y527									
59				Y527									
60				SFA228	SFAC228		SFA228HH						

REAR / ARRIÈRE / HINTEN / POSTERIOR / POSTERIORE

R Suffix = High Durability Sintered Pad. **HH** Suffix = High Performance Sintered Pad. **TT** Suffix = Hard Wearing Off Road Pad. **V** Suffix = Semi Sintered Pad. **G** Suffix = Grooved Shoe.
D Suffix = Drilled Disc. **X** Suffix = Universal Left or Right Disc. **XC** Suffix = Contoured Disc. **LS** Suffix = Left/Steel Disc. **RS** = Right/Steel Disc.

*-2 Sets Required. † For Vee disc colours add RED, BLU, GRN, GLD, ORG suffix to part number.

⊗ - Also available as a Vintage Motorcycle Disc. ★ - EPFA available. Ⓢ Disc made of Billet steel. ♦ CE solid discs for Enduro use.

Part numbers, prefixes, suffixes, photos and illustrations shown in this catalogue are trademarks and/or copyrights of EBC Brakes or the trademark owner A C Freeman Investments Ltd and use without express written permission of the owners is punishable by law.

Non-JAPANESE Built Motorcycles



GENERIC / KSR Contd.



GRS 150	2013-2015
GRS 600	2013-2014
Epico Electric	2012-2013
TTX Electric	2016-2018
Vionis Electric	2018

GILERA

50 Rally	1987
50 RC Top Rally	1990
50 Trend	1989
503 50cc	1991
Built 50	1990
DNA 50	2001-2006
DNA 50	2001-2005
Eaglet 50	1996
Easy Moving 50	1995-1996
GSM 50	1999-2001
GSM 50	2002-2003
H@K 50	2000-2002
Ice 50cc	2001-2002
RCR 50 Enduro	2003-2006
RK 50 Cannibal	1996-1998
Runner 50	1998
Runner 50 PJ/SP	2006-2014
Runner/Purejet 50 DD/SP	1999-2005
RV 50 NGR	1988
SKP 50	1998
SKP 50	1999-2001
SMT 50	2007
SMT 50 Supermotard	2003-2006
Stalker 50	1997-2006
Stalker 50	1997-2006
Stalker 50	2003-2006
Stalker 50	2003-2011
Storm 50	1994-1995
Typhoon 50	1996
Typhoon 50 All models	1993-1995
Zulu 50	2001-2002
124 Giubileo	1966
125 Apache	1991
125 Arcore	1975
125 CX	1991
125 HX LC	1983
125 MX1/MXR	1989
125 RX	1984
125 SP 01/SP 2	1989
125 VX/180 VXR Runner	2001-2004
125 VX/180 VXR Runner	2001-2004
125 XR1/XR2	1989
125/180 FX/FXR Runner	1997-2002
125/180 FX/FXR Runner	1997-2002
125/180 FX/FXR/SP Runner	1999-2002
125/180 FX/FXR/SP Runner	1999-2002
Coguar 125	1999-2002
GFR 125	1994
Nexus 125	2007-2012
RC 125 Rally	1987-1988
RC 125 Top Rally	1989-1992
RV 125	1988
RV 125 Arizona	1988

DISC PAD CHOICES - FRONT				BRAKE DISC CHOICES - FRONT					Line #
FA, SFA, TT Pad or Brake Shoe	SFAC Carbon Scooter Pads	Speciality Pads - SXR / Vee / MXS	Sintered/HH Pads/ Grooved Shoes	Standard Replacement Discs	Contour Disc Universal Left and Right	Vee-Discs Black † See note below	CX Extreme Disc / UTVX Disc	OSX Oversize 250mm or 280mm	
FA658									1
			FA322/4HH*★						2
SFA235	SFAC235								3
SFA086									4
SFA086									5
									6
									7
FA047/2									8
FA173									9
909									10
FA099									11
FA099									12
SFA194	SFAC194		SFA194HH	MD944D		VR944			13
SFA353	SFAC353		SFA353HH	MD944D		VR944			14
FA099									15
SFA193	SFAC193		SFA193HH	MD904D		VR904			16
FA115			FA115HH						17
FA115			FA115HH						18
FA115			FA115HH						19
SFA193	SFAC193		SFA193HH	MD910D		VR910			20
FA115			FA115HH						21
FA115			FA115HH						22
SFA193	SFAC193		SFA193HH	MD924D		VR924			23
SFA353	SFAC353		SFA353HH	MD956D		VR956			24
SFA193	SFAC193		SFA193HH	MD924D		VR924			25
FA060*									26
SFA193	SFAC193		SFA193HH	MD943D	MD943C	VR943			27
SFA193	SFAC193		SFA193HH	MD943D	MD943C	VR943			28
FA115			FA115HH						29
FA115			FA115HH						30
SFA193	SFAC193		SFA193HH	MD9126D					31
SFA193	SFAC193		SFA193HH	MD9126D					32
SFA083/2			SFA083/2HH	MD9126D					33
SFA083/2			SFA083/2HH	MD9126D					34
SFA193	SFAC193		SFA193HH	MD943D	MD943C	VR943			35
SFA193	SFAC193		SFA193HH	MD901D		VR901			36
SFA193	SFAC193		SFA193HH	MD901D		VR901			37
FA115			FA115HH						38
			821G						39
FA134			FA134R						40
			843G						41
FA126			FA126HH						42
FA047									43
FA126			FA126HH						44
FA047									45
FA126			FA126HH						46
SFA194	SFAC194		SFA194HH	MD924D		VR924			47
SFA353	SFAC353		SFA353HH	MD924D		VR924			48
FA256			FA256HH						49
SFA194	SFAC194		SFA194HH	MD924D		VR924			50
SFA353	SFAC353		SFA353HH	MD924D		VR924			51
SFA194	SFAC194		SFA194HH	MD924D		VR924			52
SFA353	SFAC353		SFA353HH	MD924D		VR924			53
FA256			FA256HH	MD983D		VR983			54
FA126			FA126HH						55
SFA353	SFAC353		SFA353HH	MD983D		VR983			56
FA256			FA256HH	MD6359D					57
FA134			FA134R	MD6378D					58
FA047									59
FA047									60

FRONT / AVANT / VORN / FRENTE / ANTERIORE

R Suffix = High Durability Sintered Pad. HH Suffix = High Performance Sintered Pad. TT Suffix = Hard Wearing Off Road Pad. V Suffix = Semi Sintered Pad. G Suffix = Grooved Shoe.
D Suffix = Drilled Disc. X Suffix = Universal Left or Right Disc. XC Suffix = Contoured Disc. LS Suffix = Left/Steel Disc. RS = Right/Steel Disc.

*-2 Sets Required. † For Vee disc colours add RED, BLU, GRN, GLD, ORG suffix to part number.

⊗ - Also available as a Vintage Motorcycle Disc. ★ - EPFA available. ⚙ Disc made of Billet steel. ♦ CE solid discs for Enduro use.

Non-JAPANESE Built Motorcycles

Line #	BRAKE DISC CHOICES - FRONT			DISC PAD CHOICES - REAR				BRAKE DISC CHOICES - REAR					
	SMX Oversize 320mm Disc Kit Front Left	Front disc bolt kit	Front Brake Line	FA, SFA, TT Pad or Brake Shoe	SFAC Carbon Scooter Pads	Speciality Pads - SXR / Vee / MXS	Sintered HH/R Pads/ Grooved Shoes	Standard Replacement Disc	Contour Disc Rear Fitment	Vee Discs CONTOUR	CX Extreme MX Race Disc / UTVX Disc	Rear disc bolt kit	Rear Brake Line
1				FA060									
2				FA266			FA266HH★						
3				Y503									
4				SFA086									
5				Y503									
6													
7													
8				845									
9				FA173									
10				909									
11				FA099									
12				883									
13				SFA260	SFAC260		SFA260HH	MD910D		VR910			
14				SFA260	SFAC260		SFA260HH	MD910D		VR910			
15				FA382									
16				806									
17				FA115			FA115HH	MD6394D					
18				FA115			FA115HH						
19				FA115			FA115HH						
20				899									
21				FA115			FA115HH	MD6248D					
22				FA115			FA115HH	MD6394D					
23				899									
24				SFA260	SFAC260		SFA260HH	MD932D		VR932			
25				SFA260	SFAC260		SFA260HH	MD932D		VR932			
26				FA047									
27				899									
28				SFA260	SFAC260		SFA260HH	MD932D		VR932			
29				FA115			FA115HH	MD6248D					
30				FA115			FA115HH	MD6248D					
31				SFA260	SFAC260		SFA260HH	MD932D					
32				899									
33				SFA260			SFA260HH	MD932D					
34				899									
35				806									
36				806									
37				886									
38				FA115			FA115HH	MD6394D					
39				922									
40				FA101TT			FA101R						
41				922									
42				FA047									
43													
44				FA047									
45				954									
46				FA047									
47				SFA321	SFAC321		SFA321HH	MD910D					
48				SFA321	SFAC321		SFA321HH	MD910D					
49				FA047									
50				816									
51				816									
52				SFA260	SFAC260		SFA260HH	MD944D		VR944			
53				SFA260	SFAC260		SFA260HH	MD944D		VR944			
54				921									
55				FA047			FA047HH						
56				SFA353	SFAC353		SFA353HH	MD960D		VR960			
57				954									
58				FA101TT			FA101R						
59				921									
60				954									

REAR / ARRIÈRE / HINTEN / POSTERIOR / POSTERIORE

R Suffix = High Durability Sintered Pad. **HH** Suffix = High Performance Sintered Pad. **TT** Suffix = Hard Wearing Off Road Pad. **V** Suffix = Semi Sintered Pad. **G** Suffix = Grooved Shoe.
D Suffix = Drilled Disc. **X** Suffix = Universal Left or Right Disc. **XC** Suffix = Contoured Disc. **LS** Suffix = Left/Steel Disc. **RS** = Right/Steel Disc.

*-2 Sets Required. † For Vee disc colours add RED, BLU, GRN, GLD, ORG suffix to part number.

⊙ - Also available as a Vintage Motorcycle Disc. ★ - EPFA available. ⚙ Disc made of Billet steel. ◆ CE solid discs for Enduro use.

Part numbers, prefixes, suffixes, photos and illustrations shown in this catalogue are trademarks and/or copyrights of EBC Brakes or the trademark owner A C Freeman Investments Ltd and use without express written permission of the owners is punishable by law.

Non-JAPANESE Built Motorcycles



GILERA Contd.



DISC PAD CHOICES - FRONT

BRAKE DISC CHOICES - FRONT

FRONT / AVANT / VORN / FRENTE / ANTERIORE

Model	Year	FA, SFA, TT Pad or Brake Shoe	SFAC Carbon Scooter Pads	Speciality Pads - SXR / Vee / MXS	Sintered/HH Pads/ Grooved Shoes	Standard Replacement Discs	Contour Disc Universal Left and Right	Vee-Discs Black † See note below	CX Extreme Disc / UTVX Disc	OSX Oversize 250mm or 280mm	Line #
SC 125	2006-2007	FA399				MD685LS					1
Typhoon 125	1995-1998	SFA193	SFAC193		SFA193HH	MD9126D					2
Typhoon 125 X-XR	1999-2000	SFA193	SFAC193		SFA193HH	MD9126D					3
VX 125 Runner/ST	2005-2014	SFA353	SFAC353		SFA353HH	MD9112D		VR9112			4
150 Arcore	1975	925									5
R1/50	1990	FA047/2									6
DNA 125/180	2001-2003	SFA194	SFAC194		SFA194HH	MD944D		VR944			7
DNA 125/180	2001-2003	SFA353	SFAC353		SFA353HH	MD944D		VR944			8
200 Arizona Hawk	1985	FA256			FA256HH						9
200 ER	1987	FA256			FA256HH						10
200 Fast Bike	1987	FA256			FA256HH						11
200 RTX	1985	FA256			FA256HH						12
RV 200	1985-1986										13
RV 200 ES	1987	FA256			FA256HH						14
RX 200/Arizona/Enduro	1985	FA047									15
VX 200 Runner	2005-2011	SFA353	SFAC353		SFA353HH	MD9112D		VR9112			16
VXR 200 Runner	2002-2004	SFA353	SFAC353		SFA353HH	MD924D		VR924			17
VXR 200 Runner	2002-2004	SFA194	SFAC194		SFA194HH	MD924D		VR924			18
250 RX Arizona Rally	1986	FA047									19
HX 250 LC	1983	FA047									20
Nexus 250 ie	2007	SFA353	SFAC353		SFA353HH	MD961D		VR961			21
NGR 250	1985	FA060*									22
Oregon 250 Quad	2007	FA101TT*			FA101R*						23
RC 250 Rally	1987-1988	FA256			FA256HH						24
Nexus 300i	2008-2012	SFA353	SFAC353		SFA353HH	MD983D		VR983			25
350 Dakota	1985	FA256			FA256HH						26
ER 350	1987	FA256			FA256HH						27
Saturno 350 Bialbero	1990	FA095			FA095HH★						28
XRT 350	1990	FA256			FA256HH						29
500 Dakota	1987	FA256			FA256HH						30
ER 500	1987	FA256			FA256HH						31
Fuoco 500 LT 4V/	2013-2015	SFA260*	SFAC260*		SFA260HH*	MD9112D*		VR9112*			32
Fuoco 500 RC/ie	2007-2013	SFA260*	SFAC260*		SFA260HH*	MD9112D*		VR9112*			33
Nexus 500	2003-2012	SFA181*	SFAC181*		SFA181HH*	MD983D*		VR983*			34
Nexus 500 SP	2006-2007	SFA181*	SFAC181*		SFA181HH*	MD983D*		VR983*			35
Saturno 500 S/Bialbero/Piuma	1990	FA095		FA095V	FA095HH★						36
Nordwest 600	1990	FA126*			FA126HH*	MD869*					37
R 600	1991-1992	FA134									38
RC 600	1989-1990	FA134									39
RC 600 Cobra	1991-1993	FA134									40
XRT 600	1988	FA256			FA256HH						41
GP 800	2008-2014	SFA181*	SFAC181*		SFA181HH*	MD9125D*					42
											43
											44
GOCCIA ELECTRIC SCOOTERS											
E-Gora Li/SI	2012-2015	SFA086	SFAC086		SFA086HH						45
Sunday	2012-2015	SFA151	SFAC151								46
											47
GOES											
GS 50 X	2008-2009	FA167			FA167HH						48
Slam 50	2010-2012	SFA235	SFAC235								49
G 55 R	2008-2014	SFA086	SFAC086		SFA086HH						50
G 90 XS	2010-2013	FA086			FA086HH						51
G 125 M	2008-2014	FA086			FA086HH						52
G 125 RT Retro	2010-2014	SFA235	SFAC235								53
G 125 X	2008-2009	FA086			FA086HH						54
G 125 XM	2008-2009	FA185TT		MXS185	FA185R						55
SPR 125	2010-2012	FA086			FA086HH						56
220 UTS	2010-2014	FA453TT*			FA453R*						57
G 225 S	2012-2013	FA083TT*			FA083R*						58
G 250 XM	2008-2009	FA185TT		MXS185	FA185R						59
											60

*-2 Sets Required. † For Vee disc colours add RED, BLU, GRN, GLD, ORG suffix to part number.

⊗ - Also available as a Vintage Motorcycle Disc. ★ - EPFA available. ⚙ Disc made of Billet steel. ♦ CE solid discs for Enduro use.

Non-JAPANESE Built Motorcycles

Line #	BRAKE DISC CHOICES - FRONT			DISC PAD CHOICES - REAR				BRAKE DISC CHOICES - REAR					
	SMX Oversize 320mm Disc Kit Front Left	Front disc bolt kit	Front Brake Line	FA, SFA, TT Pad or Brake Shoe	SFAC Carbon Scooter Pads	Speciality Pads - SXR / Vee / MXS	Sintered HH/R Pads/ Grooved Shoes	Standard Replacement Disc	Contour Disc Rear Fitment	Vee Discs CONTOUR	CX Extreme MX Race Disc / UTVX Disc	Rear disc bolt kit	Rear Brake Line
1				FA115				MD686					
2				899									
3				899									
4				SFA321	SFAC321		SFA321HH	MD956D		VR956			
5							843G						
6													
7				SFA321	SFAC321		SFA321HH	MD944D		VR944			
8				SFA321	SFAC321		SFA321HH	MD944D		VR944			
9				954									
10				954									
11				FA047									
12				954									
13				FA047									
14				FA047									
15				954									
16				SFA321	SFAC321		SFA321HH	MD956D		VR956			
17				SFA321	SFAC321		SFA321HH	MD956D		VR956			
18				SFA321	SFAC321		SFA321HH	MD956D		VR956			
19													
20													
21				SFA353	SFAC353		SFA353HH	MD960D		VR960			
22				FA047									
23				FA355/4TT			FA355/4R						
24				FA047			FA047HH						
25				SFA353	SFAC353		SFA353HH	MD960D		VR960			
26				987									
27				987									
28				FA047			FA047HH						
29				FA047			FA047HH						
30				987									
31				987									
32				SFA353	SFAC353		SFA353HH	MD960D		VR960			
33				SFA353	SFAC353		SFA353HH	MD960D		VR960			
34				SFA266	SFAC266		SFA266HH	MD960D		VR960			
35				SFA266	SFAC266		SFA266HH	MD960D		VR960			
36				FA047									
37				FA047			FA047HH						
38				FA101TT									
39				FA101TT									
40				FA101TT									
41				FA047			FA047HH						
42				SFA353	SFAC353		SFA353HH	MD9124D					
43													
44													
45				H303									
46				H303									
47													
48													
49				FA167			FA167HH						
50													
51													
52				FA083TT			FA083R						
53				FA197			FA197HH★						
54													
55				FA086			FA086HH						
56				FA131TT		MXS131	FA131R						
57				FA197			FA197HH★						
58													
59				FA067TT			FA067R						
60				FA131TT		MXS131	FA131R						

REAR / ARRIÈRE / HINTEN / POSTERIOR / POSTERIORE

R Suffix = High Durability Sintered Pad. **HH** Suffix = High Performance Sintered Pad. **TT** Suffix = Hard Wearing Off Road Pad. **V** Suffix = Semi Sintered Pad. **G** Suffix = Grooved Shoe.
D Suffix = Drilled Disc. **X** Suffix = Universal Left or Right Disc. **XC** Suffix = Contoured Disc. **LS** Suffix = Left/Steel Disc. **RS** = Right/Steel Disc.

BRAKE APPLICATIONS

*-2 Sets Required. † For Vee disc colours add RED, BLU, GRN, GLD, ORG suffix to part number.

⊙ - Also available as a Vintage Motorcycle Disc. ★ - EPFA available. ⚙ - Disc made of Billet steel. ♦ - CE solid discs for Enduro use.

Part numbers, prefixes, suffixes, photos and illustrations shown in this catalogue are trademarks and/or copyrights of EBC Brakes or the trademark owner A C Freeman Investments Ltd and use without express written permission of the owners is punishable by law.

Non-JAPANESE Built Motorcycles



GOES Contd.



G 350 S		2008-2014
360 Max		2008-2014
520 Max		2007-2012
G 520		2007-2013
G 520 UTX	Left	2010-2012
	Right	
G 525 4 x 4		2012-2013
G 525 Max 4 x 4		2012-2013
G 620i		2011-2012
G 625i UTS		2013-2014
G 625i 4 x 4		2012-2014
G 625i Max 4 x 4		2012-2014
G 625i Max 4 x 4 UTX 4 x 4		2012-2014
W1Kl 125		2010-2011
GE - SSV Electric		2012-2013

GOGORO E SCOOTER

Smartscooter		2015-2017
--------------	--	-----------

GOVECS ELECTRIC SCOOTERS

GO S 1.2		2011-2014
GO T 1.2		2011-2014
GO S 1.4		2011-2014
GO T 1.4		2013-2014
GO S 2.4		2011-2014
GO S 3.4		2011-2014
GO T 2.4		2011-2014
GO T 3.4		2011-2014

H.P.POWER

Copper 50		2010-2012
Iron 50		2010-2012
Tin 50 50		2010-2012
Chromel 125		2011-2012
Lithium 125		2010-2012
Chromel 150		2011-2012
Lithium 150		2010-2012
Nickel 150		2010-2011
Barum 260		2010-2012
Radium 300		2011-2012
Pantera 600		2011

HAMMERHEAD BUGGIES

Mini 45cc		2008-2009
80T		2008-2009
150 Supersport ES 150 11 R		2008-2009

HARLEY DAVIDSON®

Electric LiveWire		2018-2023
X350 HD350-0010		2023-2024
Sportster XLH, XLCH		1973-1978
Sportster XLH 1000		1979-1981
Sportster	Left	1984-1987
	Right	
Sportster XLH 1200		1987-1999
Sportster XLH 1200		1987-1999
Sportster XLH 883	Left	2000-2003
	Right	
Sportster XL 883 R Sportster Flat Track	Left	2000-2003
	Right	

DISC PAD CHOICES - FRONT				BRAKE DISC CHOICES - FRONT					Line #
FA, SFA, TT Pad or Brake Shoe	SFAC Carbon Scooter Pads	Speciality Pads - SXR / Vee / MXS	Sintered/HH Pads/ Grooved Shoes	Standard Replacement Discs	Contour Disc Universal Left and Right	Vee-Discs Black † See note below	CX Extreme Disc / UTVX Disc	OSX Oversize 250mm or 280mm	
FA083TT*			FA083R*						1
FA453TT*			FA453R*						2
FA453TT*			FA453R*						3
FA453TT*			FA453R*						4
			FA165R						5
FA135TT			FA135R						6
FA453TT*			FA453R*						7
FA453TT*			FA453R*						8
FA453TT*			FA453R*						9
FA453TT*			FA453R*						10
FA453TT*			FA453R*						11
FA453TT*			FA453R*						12
FA453TT*			FA453R*						13
SFA235	SFAC235								14
FA453TT*			FA453R*						15
									16
SFA266	SFAC266		SFA266HH	MD9162D		VR9162			17
									18
									19
									20
SFA193	SFAC193		SFA193HH			VR901			21
SFA193	SFAC193		SFA193HH	MD901D		VR901			22
SFA193	SFAC193		SFA193HH			VR901			23
SFA193	SFAC193		SFA193HH	MD901D		VR901			24
SFA193	SFAC193		SFA193HH			VR901			25
SFA193	SFAC193		SFA193HH			VR901			26
SFA193	SFAC193		SFA193HH	MD901D		VR901			27
SFA193	SFAC193		SFA193HH	MD901D		VR901			28
									29
									30
SFA086	SFAC086		SFA086HH						31
SFA047			SFA047HH						32
SFA235	SFAC235								33
SFA086	SFAC086		SFA086HH						34
SFA086	SFAC086		SFA086HH						35
SFA086	SFAC086		SFA086HH						36
SFA086	SFAC086		SFA086HH						37
SFA086	SFAC086		SFA086HH						38
SFA197	SFAC197		SFA197HH						39
SFA086	SFAC086		SFA086HH						40
FA231			FA231HH★						41
									42
									43
									44
									45
FA416TT*			FA416R*						46
									47
									48
FA630*			FA630HH*★	MD529*		VR529			49
FA244*			FA244HH*★						50
FA026									51
FA071*		FA071V*							52
FA094		FA094V	FA094HH★	FSD007	FSD026C				53
									54
FA094		FA094V	FA094HH★	FSD007	FSD026C				55
FA094		FA094V	FA094HH★	FSD007	FSD026C				56
FA400		FA400V	FA400HH★	FSD008		VR023BLK			57
									58
FA400		FA400V	FA400HH★	FSD008		VR023BLK			59
									60

FRONT / AVANT / VORN / FRENTE / ANTERIORE

R Suffix = High Durability Sintered Pad. HH Suffix = High Performance Sintered Pad. TT Suffix = Hard Wearing Off Road Pad. V Suffix = Semi Sintered Pad. G Suffix = Grooved Shoe.
D Suffix = Drilled Disc. X Suffix = Universal Left or Right Disc. XC Suffix = Contoured Disc. LS Suffix = Left/Steel Disc. RS = Right/Steel Disc.

*-2 Sets Required. † For Vee disc colours add RED, BLU, GRN, GLD, ORG suffix to part number.

⊛ - Also available as a Vintage Motorcycle Disc. ★ - EPFA available. ⊕ Disc made of Billet steel. ◆ CE solid discs for Enduro use.

Non-JAPANESE Built Motorcycles

Line #	BRAKE DISC CHOICES - FRONT			DISC PAD CHOICES - REAR				BRAKE DISC CHOICES - REAR					
	SMX Oversize 320mm Disc Kit Front Left	Front disc bolt kit	Front Brake Line	FA, SFA, TT Pad or Brake Shoe	SFAC Carbon Scooter Pads	Speciality Pads - SXR / Vee / MXS	Sintered HH/R Pads/ Grooved Shoes	Standard Replacement Disc	Contour Disc Rear Fitment	Vee Discs CONTOUR	CX Extreme MX Race Disc / UTVX Disc	Rear disc bolt kit	Rear Brake Line
1				FA067TT			FA067R						
2													
3				FA344TT			FA344R						
4				FA344TT			FA344R						
5				FA344TT			FA344R						
6													
7				FA344TT			FA344R						
8				FA344TT			FA344R						
9				FA344TT			FA344R						
10													
11				FA344TT			FA344R						
12				FA344TT			FA344R						
13				FA344TT			FA344R						
14													
15				FA344TT			FA344R						
16													
17													
18				SFA067	SFAC067		SFA067HH	MD9163D		VR9163			
19													
20													
21				SFA083	SFAC083		SFA083HH						
22				SFA083	SFAC083		SFA083HH						
23				SFA083	SFAC083		SFA083HH						
24				SFA083	SFAC083		SFA083HH						
25				SFA083	SFAC083		SFA083HH						
26				SFA083	SFAC083		SFA083HH						
27				SFA083	SFAC083		SFA083HH						
28				SFA083	SFAC083		SFA083HH						
29													
30													
31				SFA115			SFA115HH						
32				SFA298	SFAC298		SFA298HH						
33													
34				SFA086	SFAC086		SFA086HH						
35				SFA086	SFAC086		SFA086HH						
36				SFA086	SFAC086		SFA086HH						
37				SFA086	SFAC086		SFA086HH						
38				SFA197	SFAC197		SFA197HH						
39				SFA427	SFAC427		SFA427HH						
40				SFA086	SFAC086		SFA086HH						
41				FA213			FA213HH★						
42													
43													
44				FA485TT									
45				FA416TT			FA416R						
46				FA431TT			FA431R						
47													
48													
49				FA266		FA266V	FA266HH★						
50				FA698			FA698HH						
51				FA072		FA072V							
52				FA072		FA072V							
53				FA078		FA078V	FA078HH						
54													
55				FA200		FA200V	FA200HH★	RSD007	RSD019C	VR019BLK			
56				FA200		FA200V	FA200HH★	RSD007	RSD019C	VR019BLK			
57				FA400		FA400V	FA400HH★	RSD008	RSD018C	VR020BLK			
58													
59				FA400		FA400V	FA400HH★	RSD008	RSD018C	VR020BLK			BLM5105-2R
60													

REAR / ARRIÈRE / HINTEN / POSTERIOR / POSTERIORE

R Suffix = High Durability Sintered Pad. **HH** Suffix = High Performance Sintered Pad. **TT** Suffix = Hard Wearing Off Road Pad. **V** Suffix = Semi Sintered Pad. **G** Suffix = Grooved Shoe.
D Suffix = Drilled Disc. **X** Suffix = Universal Left or Right Disc. **XC** Suffix = Contoured Disc. **LS** Suffix = Left/Steel Disc. **RS** = Right/Steel Disc.

BRAKE APPLICATIONS

*-2 Sets Required. † For Vee disc colours add RED, BLU, GRN, GLD, ORG suffix to part number.

⊙ - Also available as a Vintage Motorcycle Disc. ★ - EPFA available. ⚙ Disc made of Billet steel. ♦ CE solid discs for Enduro use.

Part numbers, prefixes, suffixes, photos and illustrations shown in this catalogue are trademarks and/or copyrights of EBC Brakes or the trademark owner A C Freeman Investments Ltd and use without express written permission of the owners is punishable by law.

Non-JAPANESE Built Motorcycles



HARLEY DAVIDSON® Contd.



			DISC PAD CHOICES - FRONT				BRAKE DISC CHOICES - FRONT					
			FA, SFA, TT Pad or Brake Shoe	SFAC Carbon Scooter Pads	Speciality Pads - SXR / Vee / MXS	Sintered/ HH Pads/ Grooved Shoes	Standard Replacement Discs	Contour Disc Universal Left and Right	Vee-Discs Black † See note below	CX Extreme Disc / UTVX Disc	OSX Oversize 250mm or 280mm	Line #
Sportster XL 883 Hugger	Left	2000-2003	FA400		FA400V	FA400HH★	FSD008		VR023BLK			1
	Right											2
Sportster XL 0053c	Left	2000-2003	FA400		FA400V	FA400HH★	FSD008		VR023BLK			3
	Right											4
Sportster XL 883 R 100th Anniversary Edition		2003	FA400*		FA400V*	FA400HH*★	FSD008*	FSD012CBLK*	VR010BLK*			5
Sportster XL 883 Sportster Standard	Left	2004-2010	FA381		FA381V	FA381HH★	FSD008		VR023BLK			6
	Right											7
Sportster XL 883 C Sportster	Left	2004-2010	FA381		FA381V	FA381HH★	FSD008		VR023BLK			8
	Right											9
Sportster XL 883 Hugger	Left	2004-2006	FA381		FA381V	FA381HH★	FSD008		VR023BLK			10
	Right											11
Sportster XL 883 L Low	Left	2007-2010	FA381		FA381V	FA381HH★	FSD008		VR023BLK			12
	Right											13
Sportster XL 883 N Iron	Left	2009-2013	FA381		FA381V	FA381HH★	FSD008		VR023BLK			14
	Right											15
Sportster XL 883 R Sportster		2004-2013	FA381*		FA381V*	FA381HH*★	FSD008*	FSD012CBLK*	VR010BLK*			16
Sportster XL 883 L Superlow	Left	2011-2013	FA381		FA381V	FA381HH★	FSD008		VR023BLK			17
	Right											18
Sportster XL 883 R Roadster		2014-2015	FA640		FA640V	FA640HH★	MD526	MD518CBLK				19
Sportster XL 883 L Superlow		2014-2022	FA640		FA640V	FA640HH★	MD526	MD518CBLK				20
Sportster XL 883 N Iron		2014-2023	FA640		FA640V	FA640HH★	MD526	MD518CBLK				21
Sportster RH 975 Nightster		2022-2024	FA409		FA409V	FA409HH★	MD8033X					22
Sportster XL 1200	Left	2000-2003	FA400		FA400V	FA400HH★	FSD008		VR023BLK			23
	Right											24
Sportster XL 1200 Custom	Left	2000-2003	FA400		FA400V	FA400HH★	FSD008		VR023BLK			25
	Right											26
Sportster XL 1200 S		2000-2003	FA400*		FA400V*	FA400HH*★	FSD008*	FSD012CBLK*	VR010BLK*			27
Sportster XL 1200 R Sportster Roadster		2004-2008	FA381*		FA381V*	FA381HH*★	FSD008*	FSD012CBLK*	VR010BLK*			28
Sportster XL 0050 Anniversary 1200	Left	2007	FA381		FA381V	FA381HH★	FSD008		VR023BLK			29
	Right											30
Sportster XL 1200	Left	2004-2010	FA381		FA381V	FA381HH★	FSD008		VR023BLK			31
	Right											32
Sportster XL 1200 Custom	Left	2004-2013	FA381		FA381V	FA381HH★	FSD008		VR023BLK			33
	Right											34
Sportster XL 1200 R	Left	2004-2009	FA381		FA381V	FA381HH★	FSD008		VR023BLK			35
	Right											36
Sportster XL 1200 N Nightster	Left	2007-2012	FA381		FA381V	FA381HH★	FSD008		VR023BLK			37
	Right											38
Sportster XL 1200 L	Left	2007-2012	FA381		FA381V	FA381HH★	FSD008		VR023BLK			39
	Right											40
Sportster XL 1200 X Forty Eight	Left	2010-2013	FA381		FA381V	FA381HH★	FSD008		VR023BLK			41
	Right											42
Sportster XL 1200 V Seventy Two	Left	2011-2013	FA381		FA381V	FA381HH★	FSD008		VR023BLK			43
	Right											44
Sportster XL 1200 C Custom		2014-2021	FA640		FA640V	FA640HH★	MD526	MD518CBLK				45
Sportster XL 1200 CX Roadster		2016-2021	FA640*		FA640V*	FA640HH*★	MD526*		VR520BLK*			46
Sportster XL 1200 T Superlow		2014-2021	FA640		FA640V	FA640HH★	MD526	MD518CBLK				47
Sportster XL 1200 V Seventy Two		2014-2016	FA640		FA640V	FA640HH★	MD526	MD518CBLK				48
Sportster XL 1200 X Forty Eight		2014-2023	FA640		FA640V	FA640HH★	MD526	MD518CBLK				49
Sportster XL 1200 XS Forty Eight Special		2018-2020	FA640		FA640V	FA640HH★	MD526	MD518CBLK				50
Sportster XL 1200 NS Iron		2018-2021	FA640		FA640V	FA640HH★	MD526	MD518CBLK				51
Sportster XR 1200		2008-2010				FA296HH*★	FSD008*	FSD012CBLK*	VR010BLK*			52
Sportster XR 1200 X		2010-2013				FA296HH*★	FSD008*	FSD012CBLK*	VR010BLK*			53
Sportster S RH 1250		2021-2024	FA630		FA630V	FA630HH★	MD8030					54
Street XG 500 Street		2014-2015			FA643V	FA643HH						55
Street XG 500 Street		2014-2015			FA643V	FA643HH	MD531					56
Street XG 500 Street		2016-2020	FA209/2		FA209/2V	FA209/2HH★	MD536					57
Street XG 750 Street		2014-2015			FA643V	FA643HH	MD531					58
Street XG 750 Street		2016-2020	FA209/2		FA209/2V	FA209/2HH★	MD536					59
Street XG 750 Street Rod		2017-2020	FA209/2		FA209/2V	FA209/2HH★	MD536					60

FRONT / AVANT / VORN / FRENTE / ANTERIORE

R Suffix = High Durability Sintered Pad. HH Suffix = High Performance Sintered Pad. TT Suffix = Hard Wearing Off Road Pad. V Suffix = Semi Sintered Pad. G Suffix = Grooved Shoe. D Suffix = Drilled Disc. X Suffix = Universal Left or Right Disc. XC Suffix = Contoured Disc. LS Suffix = Left/Steel Disc. RS = Right/Steel Disc.

*-2 Sets Required. † For Vee disc colours add RED, BLU, GRN, GLD, ORG suffix to part number.

⊗ - Also available as a Vintage Motorcycle Disc. ★ - EPFA available. ⚙ - Disc made of Billet steel. ♦ - CE solid discs for Enduro use.

230 Part numbers, prefixes, suffixes, photos and illustrations shown in this catalogue are trademarks and/or copyrights of EBC Brakes or the trademark owner A C Freeman Investments Ltd and use without express written permission of the owners is punishable by law.

Non-JAPANESE Built Motorcycles

Line #	BRAKE DISC CHOICES - FRONT			DISC PAD CHOICES - REAR				BRAKE DISC CHOICES - REAR					
	SMX Oversize 320mm Disc Kit Front Left	Front disc bolt kit	Front Brake Line	FA, SFA, TT Pad or Brake Shoe	SFAC Carbon Scooter Pads	Speciality Pads - SXR / Vee / MXS	Sintered HH/R Pads/ Grooved Shoes	Standard Replacement Disc	Contour Disc Rear Fitment	Vee Discs CONTOUR	CX Extreme MX Race Disc / UTVX Disc	Rear disc bolt kit	Rear Brake Line
1				FA400		FA400V	FA400HH★	RSD008	RSD018C	VR020BLK			
2													
3				FA400		FA400V	FA400HH★	RSD008	RSD018C	VR020BLK			
4													
5				FA400		FA400V	FA400HH★	RSD008	RSD018C	VR020BLK			
6				FA387		FA387V	FA387HH★	RSD008	RSD018C	VR020BLK			
7													
8				FA387		FA387V	FA387HH★	RSD008	RSD018C	VR020BLK			
9													
10				FA387		FA387V	FA387HH★	RSD008	RSD018C	VR020BLK			
11													
12				FA387		FA387V	FA387HH★	RSD008	RSD018C	VR020BLK			
13													
14				FA387		FA387V	FA387HH★	RSD008	RSD018C	VR020BLK			
15													
16			BLM5109-3F	FA387		FA387V	FA387HH★	RSD008	RSD018C	VR020BLK			
17				FA387		FA387V	FA387HH★	MD524					
18													
19				FA254		FA254V	FA254HH★	MD524					
20				FA254		FA254V	FA254HH★	MD524					
21			BLM5119-1F	FA254		FA254V	FA254HH★	MD524					
22				FA760		FA760V	FA760HH★	MD532					
23				FA400		FA400V	FA400HH★	RSD008	RSD018C	VR020BLK			BLM5106-2R
24													
25				FA400		FA400V	FA400HH★	RSD008	RSD018C	VR020BLK			BLM5106-2R
26													
27				FA400		FA400V	FA400HH★	RSD008	RSD018C	VR020BLK			
28				FA387		FA387V	FA387HH★	RSD008	RSD018C	VR020BLK			
29				FA387		FA387V	FA387HH★	RSD008	RSD018C	VR020BLK			
30													
31				FA387		FA387V	FA387HH★	RSD008	RSD018C	VR020BLK			
32													
33				FA387		FA387V	FA387HH★	RSD008	RSD018C	VR020BLK			BLM5105-2R
34													
35				FA387		FA387V	FA387HH★	RSD008	RSD018C	VR020BLK			BLM5105-2R
36													
37				FA387		FA387V	FA387HH★	RSD008	RSD018C	VR020BLK			
38													
39				FA387		FA387V	FA387HH★	MD524					BLM5105-2R
40													
41				FA387		FA387V	FA387HH★	RSD008	RSD018C	VR020BLK			
42													
43				FA387		FA387V	FA387HH★	RSD008	RSD018C	VR020BLK			
44													
45				FA254		FA254V	FA254HH★	MD524					
46				FA254		FA254V	FA254HH★	MD524					
47				FA254		FA254V	FA254HH★	MD524	RSD018C				
48			BLM5117-1F	FA254		FA254V	FA254HH★	MD524					
49			BLM5119-1F	FA254		FA254V	FA254HH★	MD524					
50				FA254		FA254V	FA254HH★	MD524					
51				FA254		FA254V	FA254HH★	MD524					
52				FA387		FA387V	FA387HH★	MD524					
53				FA387		FA387V	FA387HH★	MD524					
54				FA760		FA760V	FA760HH★	MD8031					
55						FA643V	FA643HH	MD532					
56						FA643V	FA643HH	MD532					
57						FA643V	FA643HH	MD537	VR537				
58						FA643V	FA643HH	MD532					
59						FA643V	FA643HH	MD537	VR537				
60						FA643V	FA643HH	MD537	VR537				

REAR / ARRIÈRE / HINTEN / POSTERIOR / POSTERIORE

R Suffix = High Durability Sintered Pad. **HH** Suffix = High Performance Sintered Pad. **TT** Suffix = Hard Wearing Off Road Pad. **V** Suffix = Semi Sintered Pad. **G** Suffix = Grooved Shoe.
D Suffix = Drilled Disc. **X** Suffix = Universal Left or Right Disc. **XC** Suffix = Contoured Disc. **LS** Suffix = Left/Steel Disc. **RS** = Right/Steel Disc.

BRAKE APPLICATIONS

*-2 Sets Required. † For Vee disc colours add RED, BLU, GRN, GLD, ORG suffix to part number.

⊙ - Also available as a Vintage Motorcycle Disc. ★ - EPFA available. ⚙ - Disc made of Billet steel. ♦ - CE solid discs for Enduro use.

Part numbers, prefixes, suffixes, photos and illustrations shown in this catalogue are trademarks and/or copyrights of EBC Brakes or the trademark owner A C Freeman Investments Ltd and use without express written permission of the owners is punishable by law.

Non-JAPANESE Built Motorcycles



HARLEY DAVIDSON® Contd. 12

DISC PAD CHOICES - FRONT

BRAKE DISC CHOICES - FRONT

FRONT / AVANT / VORN / FRENTE / ANTERIORE

		FA, SFA, TT Pad or Brake Shoe	SFAC Carbon Scooter Pads	Speciality Pads - SXR / Vee / MXS	Sintered/HH Pads/ Grooved Shoes	Standard Replacement Discs	Contour Disc Universal Left and Right	Vee-Discs Black † See note below	CX Extreme Disc / UTVX Disc	OSX Oversize 250mm or 280mm	Line #
Dyna FX, FXE Rivet type	1973-1977	FA026									1
Dyna FX, FXE, FXS Late 1978-1983	1978-1983	FA071		FA071V							2
Dyna FL, FLH	1980-1983	FA024/2		FA024/2V							3
Dyna FXD/FXR All Models	1982-1983	FA071*		FA071V*							4
Dyna FXWG, FXSB	1983	FA071		FA071V		FSD007	FSD026C				5
Dyna FX, FXE, FXS	1984-1986	FA094*		FA094V*	FA094HH*★	FSD007*	FSD011C*	VR011BLK*			6
Dyna FXD/FXR 1984-Early 1987	1984-1987	FA094*		FA094V*	FA094HH*★	FSD007*	FSD011C*	VR011BLK*			7
Dyna FXD/LWG, FXR/S/T/D, FXLR Late 1987-1999	1987-1999	FA094*		FA094V*	FA094HH*★	FSD007*	FSD011C*	VR011BLK*			8
Dyna FXD/LWG, FXR/S/T/D, FXLR Late 1987-1999	1989-1999	FA094*		FA094V*	FA094HH*★	FSD007*	FSD011C*	VR011BLK*			9
Dyna FXDS Convertible 1450	2000-2003	FA400*		FA400V*	FA400HH*★	FSD008*	FSD012CBLK*	VR010BLK*			10
Dyna FXDL Low Rider	2000-2003	FA400*		FA400V*	FA400HH*★	FSD008*	FSD012CBLK*	VR010BLK*			11
Dyna FXDLi Low Rider 1450	Left 2004-2007	FA400		FA400V	FA400HH*★	FSD008		VR010BLK			12
	Right										13
Dyna FXD Super Glide	2000-2003	FA400		FA400V	FA400HH*★	FSD008		VR023BLK			14
Dyna FXDi Super Glide	Left 2004-2007	FA400		FA400V	FA400HH*★	FSD008		VR023BLK			15
	Right										16
Dyna FXDX Super Glide Sport	2000-2003	FA400*		FA400V*	FA400HH*★	FSD008*	FSD012CBLK*	VR010BLK*			17
Dyna FXDXi Super Glide Sport 1450	Left 2004-2005	FA400*		FA400V*	FA400HH*★	FSD008*	FSD012CBLK*	VR010BLK			18
	Right										19
Dyna FXDWG Wide Glide	2000-2003	FA400*		FA400V*	FA400HH*★	FSD008*	FSD012CBLK*	VR010BLK*			20
Dyna FXDWGi Wide Glide 1450	Left 2004-2007	FA400		FA400V	FA400HH*★	FSD008		VR023BLK			21
	Right										22
Dyna FXDXT Superglide T-Sport	2001-2003	FA400*		FA400V*	FA400HH*★	FSD008*	FSD012CBLK*	VR010BLK*			23
Dyna FXDCi Superglide Custom	2005-2007	FA400		FA400V	FA400HH*★	FSD008		VR023BLK			24
Dyna FXDi Super Glide	2006-2007	FA400		FA400V	FA400HH*★	MD518	MD518CBLK				25
Dyna FXDi Super Glide	Left 2006-2007	FA400		FA400V	FA400HH*★			VR514			26
	Right					MD514RS					27
Dyna FXDBi Street Bob	Left 2006-2007	FA400		FA400V	FA400HH*★	FSD008		VR023BLK			28
	Right										29
Dyna FXDF Fat Bob	2008-2017	FA457*		FA457V*	FA457HH*★	MD529*		VR529			30
Dyna FXDF 0096 Fat Bob	2011-2017	FA457*		FA457V*	FA457HH*★	MD518*		VR520BLK*			31
Dyna FXDL Low Rider	2008-2013	FA457		FA457V	FA457HH*★	MD520*		VR520BLK*			32
Dyna FXDL Low Rider 103	2014-2017	FA457*		FA457V*	FA457HH*★	MD520*		VR520BLK*			33
Dyna FXDLS Dyna Low Rider S	2017	FA457*		FA457V*	FA457HH*★	MD520*		VR520BLK*			34
Dyna FXDB Street Bob	2008-2020	FA457		FA457V	FA457HH*★	MD518	MD518CBLK				35
Dyna FXDBC Street Bob LTD	2016	FA457*		FA457V*	FA457HH*★	MD518*		VR520BLK*			36
Dyna FXDB Street Bob 114	2021-2022	FA457		FA457V	FA457HH*★	MD518	MD518CBLK				37
Dyna FLD Switchback	2012-2016	FA457		FA457V	FA457HH*★	MD520*		VR520BLK*			38
Dyna FXD Super Glide	2008-2010	FA457		FA457V	FA457HH*★	MD514LS		VR514			39
Dyna FXD Super Glide	2008-2010	FA457		FA457V	FA457HH*★	MD520*		VR520BLK*			40
Dyna FXDWG Wide Glide	2008	FA457		FA457V	FA457HH*★	MD518	MD518CBLK				41
Dyna FXDWG Dyna Wide Glide	2008-2020	FA457		FA457V	FA457HH*★	MD518	MD518CBLK				42
Dyna FXDC Super Glide Custom 0096	2008-2014	FA457		FA457V	FA457HH*★	MD518	MD518CBLK				43
Softail FXST/B/C/S, FLST/C/F/S/N	Left 1984-1987	FA094		FA094V	FA094HH*★	FSD007	FSD026C				44
	Right										45
Softail FXST/B/C/S, FLST/C/F/S/N	1987-1999	FA094		FA094V	FA094HH*★	FSD007	FSD026C				46
Softail FXST/B/C/S, FLST/C/F/S/N	1987-1999	FA094		FA094V	FA094HH*★	FSD007	FSD026C				47
Softail FXSTS Springer	2000-2005	FA094		FA094V	FA094HH*★	FSD007	FSD026C				48
Softail FXSTS Springer	2000-2005	FA094		FA094V	FA094HH*★	FSD007	FSD026C				49
Softail FLSTSC/FLSTSCI Springer Classic	Left 2006-2007	FA094		FA094V	FA094HH*★	FSD008		VR023BLK			50
	Right										51
Softail FLSTS Heritage Springer	Left 2000-2003	FA094		FA094V	FA094HH*★	FSD008		VR023BLK			52
	Right										53
Softail FLSTF Fat Boy	Left 2000-2007	FA400		FA400V	FA400HH*★	FSD008		VR023BLK			54
	Right										55
Softail FLSTFi Fat Boy 0015th Anniversary Edition	Left 2005	FA400		FA400V	FA400HH*★	FSD008		VR023BLK			56
	Right										57
Softail FLSTC Heritage Classic	Left 2000-2007	FA400		FA400V	FA400HH*★	FSD008		VR023BLK			58
	Right										59
											60

*-2 Sets Required. † For Vee disc colours add RED, BLU, GRN, GLD, ORG suffix to part number.

⊗ - Also available as a Vintage Motorcycle Disc. ★ - EPFA available. ⚙ Disc made of Billet steel. ♦ CE solid discs for Enduro use.

Non-JAPANESE Built Motorcycles

Line #	BRAKE DISC CHOICES - FRONT			DISC PAD CHOICES - REAR				BRAKE DISC CHOICES - REAR					
	SMX Oversize 320mm Disc Kit Front Left	Front disc bolt kit	Front Brake Line	FA, SFA, TT Pad or Brake Shoe	SFAC Carbon Scooter Pads	Speciality Pads - SXR / Vee / MXS	Sintered HH/R Pads/ Grooved Shoes	Standard Replacement Disc	Contour Disc Rear Fitment	Vee Discs CONTOUR	CX Extreme MX Race Disc / UTVX Disc	Rear disc bolt kit	Rear Brake Line
1				FA024/2		FA024/2V							
2				FA024/2		FA024/2V							
3				FA024/2		FA024/2V							
4				FA078		FA078V	FA078HH						
5				FA078		FA078V	FA078HH						
6				FA078		FA078V	FA078HH						
7				FA078		FA078V	FA078HH						
8			BLM5072-1F	FA078		FA078V	FA078HH						
9			BLM5072-1F	FA200		FA200V	FA200HH★	RSD007	RSD019C	VR019BLK			
10			BLM5054-3F	FA400		FA400V	FA400HH★	RSD008	RSD018C	VR020BLK			
11			BLM5054-3F	FA400		FA400V	FA400HH★	RSD008	RSD018C	VR020BLK			
12				FA400		FA400V	FA400HH★	RSD008	RSD018C	VR020BLK			
13													
14			BLM5052-1F	FA400		FA400V	FA400HH★	RSD008	RSD018C	VR020BLK			
15				FA400		FA400V	FA400HH★	RSD008	RSD018C	VR020BLK			
16													
17				FA400		FA400V	FA400HH★	RSD008	RSD018C	VR020BLK			
18				FA400		FA400V	FA400HH★	RSD008	RSD018C	VR020BLK			
19													
20			BLM5066-1F	FA400		FA400V	FA400HH★	RSD008	RSD018C	VR020BLK			
21				FA400		FA400V	FA400HH★	RSD008	RSD018C	VR020BLK			
22													
23			BLM5069-3F	FA400		FA400V	FA400HH★	RSD008	RSD018C	VR020BLK			
24						FA458V	FA458HH★	RSD008	RSD018C	VR020BLK			
25				FA400		FA400V	FA400HH★	RSD008	RSD018C	VR020BLK			
26				FA400		FA400V	FA400HH★	RSD008	RSD018C	VR020BLK			
27													
28				FA400		FA400V	FA400HH★	RSD008	RSD018C	VR020BLK			
29													
30			BLM5061-3F			FA458V	FA458HH★	RSD008	RSD018C	VR020BLK			
31			BLM5061-3F	FA200		FA200V	FA200HH★	RSD007	RSD019C				
32			BLM5000-1F			FA458V	FA458HH★	RSD008	RSD018C	VR020BLK			
33						FA458V	FA458HH★	RSD008	RSD018C	VR020BLK			
34						FA458V	FA458HH★	RSD008	RSD018C	VR020BLK			
35			BLM5056-1F			FA458V	FA458HH★	RSD008	RSD018C	VR020BLK			
36						FA458V	FA458HH★	RSD008	RSD018C	VR020BLK			
37						FA458V	FA458HH★	RSD008	RSD018C	VR020BLK			
38			BLM5000-1F			FA458V	FA458HH★	RSD008	RSD018C	VR020BLK			
39						FA458V	FA458HH★	RSD008	RSD018C	VR020BLK			
40						FA458V	FA458HH★	RSD008	RSD018C	VR020BLK			
41				FA400		FA400V	FA400HH★	RSD008	RSD018C	VR020BLK			
42						FA458V	FA458HH★	RSD008	RSD018C	VR020BLK			
43			BLM5057-1F			FA458V	FA458HH★	RSD008	RSD018C	VR020BLK			
44				FA078		FA078V	FA078HH						
45													
46			BLM5022-1F	FA200		FA200V	FA200HH★	RSD007	RSD019C	VR019BLK			
47			BLM5022-1F	FA200		FA200V	FA200HH★	RSD007	RSD019C	VR019BLK			
48			BLM5094-1F	FA400		FA400V	FA400HH★	RSD008	RSD018C	VR020BLK			
49			BLM5094-1F	FA400		FA400V	FA400HH★	RSD008	RSD018C	VR020BLK			
50				FA400		FA400V	FA400HH★	RSD008	RSD018C	VR020BLK			
51													
52				FA400		FA400V	FA400HH★	RSD008	RSD018C	VR020BLK			
53													
54				FA400		FA400V	FA400HH★	RSD008	RSD018C	VR020BLK			
55													
56				FA400		FA400V	FA400HH★	RSD008	RSD018C	VR020BLK			
57													
58				FA400		FA400V	FA400HH★	RSD008	RSD018C	VR020BLK			
59													
60													

REAR / ARRIÈRE / HINTEN / POSTERIOR / POSTERIORE

R Suffix = High Durability Sintered Pad. HH Suffix = High Performance Sintered Pad. TT Suffix = Hard Wearing Off Road Pad. V Suffix = Semi Sintered Pad. G Suffix = Grooved Shoe.
D Suffix = Drilled Disc. X Suffix = Universal Left or Right Disc. XC Suffix = Contoured Disc. LS Suffix = Left/Steel Disc. RS = Right/Steel Disc.

BRAKE APPLICATIONS

*-2 Sets Required. † For Vee disc colours add RED, BLU, GRN, GLD, ORG suffix to part number.

⊙ - Also available as a Vintage Motorcycle Disc. ★ - EPFA available. ⚙ Disc made of Billet steel. ♦ CE solid discs for Enduro use.

Part numbers, prefixes, suffixes, photos and illustrations shown in this catalogue are trademarks and/or copyrights of EBC Brakes or the trademark owner A C Freeman Investments Ltd and use without express written permission of the owners is punishable by law.

Non-JAPANESE Built Motorcycles



HARLEY DAVIDSON® Contd.

DISC PAD CHOICES - FRONT

BRAKE DISC CHOICES - FRONT

FRONT / AVANT / VORN / FRENTE / ANTERIORE

Model	Side	Year	FA, SFA, TT Pad or Brake Shoe	SFAC Carbon Scooter Pads	Speciality Pads - SXR / Vee / MXS	Sintered/HH Pads/ Grooved Shoes	Standard Replacement Discs	Contour Disc Universal Left and Right	Vee-Discs Black † See note below	CX Extreme Disc / UTVX Disc	OSX Oversize 250mm or 280mm	Line #
Softail FLST Heritage Softail	Left	2006	FA400		FA400V	FA400HH★	FSD008		VR023BLK			1
	Right											2
Softail FXSTB Night Train	Left	2000-2005	FA400		FA400V	FA400HH★	FSD008		VR023BLK			3
	Right											4
Softail FXSTBi Night Train	Left	2006-2007	FA400		FA400V	FA400HH★	FSD008		VR023BLK			5
	Right											6
Softail FXSTDI Deuce	Left	2000-2007	FA400		FA400V	FA400HH★	FSD008		VR023BLK			7
	Right											8
Softail FXST Softail Standard	Left	2000-2005	FA400		FA400V	FA400HH★	FSD008		VR023BLK			9
	Right											10
Softail FXSTI Softail Standard	Left	2006-2007	FA400		FA400V	FA400HH★	FSD008		VR023BLK			11
	Right											12
Softail FLSTNi Softail Deluxe	Left	2005-2007	FA400		FA400V	FA400HH★	FSD008		VR023BLK			13
	Right											14
Softail FXSTC Softail Custom	Left	2007	FA400		FA400V	FA400HH★	FSD008		VR023BLK			15
	Right											16
Softail FLSTF Fat Boy	Left	2008-2014	FA457		FA457V	FA457HH★	FSD008		VR023BLK			17
	Right											18
Softail FLSTF Fat Boy		2015-2017				FA296HH★	MD530	MD518CBLK				19
Softail FLSTC Heritage Softail Classic	Left	2008-2014	FA457		FA457V	FA457HH★	FSD008		VR023BLK			20
	Right											21
Softail FLSTC Heritage Softail Classic 0096		2015-2017				FA296HH★	MD526	MD518CBLK				22
Softail FXSTB Night Train	Left	2008-2009	FA457		FA457V	FA457HH★	FSD008		VR023BLK			23
	Right											24
Softail FXSTC Softail Custom	Left	2008-2010	FA457		FA457V	FA457HH★	FSD008		VR023BLK			25
	Right											26
Softail FLSTN Softail Deluxe	Left	2008-2014	FA457		FA457V	FA457HH★	FSD008		VR023BLK			27
	Right											28
Softail FLSTN Softail Deluxe 0096		2015-2017				FA296HH★	MD526	MD518CBLK				29
Softail FLSTSB Softail Cross Bones	Left	2008-2011	FA094		FA094V	FA094HH★	FSD008		VR023BLK			30
	Right											31
Softail FLSTFB Fat Boy LO	Left	2010-2014	FA457		FA457V	FA457HH★	FSD008		VR023BLK			32
	Right											33
Softail FLSTFB Fat Boy LO		2015-2017				FA296HH★	MD530	MD518CBLK				34
Softail FLFB Fatboy 107		2018-2022				FA296HH★	MD526	MD518CBLK				35
Softail FLFBS Fat Boy 114		2018-2023				FA296HH★	MD530	MD518CBLK				36
Softail FLFBS Fat Boy 114 Anniversary		2018				FA296HH★	MD530	MD518CBLK				37
Softail FXCW Rocker	Left	2008-2011	FA457		FA457V	FA457HH★	FSD008		VR023BLK			38
	Right											39
Softail FXCWC Rocker C	Left	2008-2011	FA457		FA457V	FA457HH★	FSD008		VR023BLK			40
	Right											41
Softail FXS Blackline	Left	2011-2013	FA457		FA457V	FA457HH★	FSD008		VR023BLK			42
	Right											43
Softail FXST Softail Standard	Left	2011-2014	FA457		FA457V	FA457HH★	FSD008		VR023BLK			44
	Right											45
Softail FXST Softail Standard 0096		2014-2017				FA296HH★	MD526	MD518CBLK				46
Softail FXST Softail Standard 107		2020-2023				FA296HH★	MD526	MD518CBLK				47
Softail FLS Softail Slim	Left	2012-2014	FA457		FA457V	FA457HH★	FSD008		VR023BLK			48
	Right											49
Softail FLS Softail Slim 0096		2015-2017				FA296HH★	MD526	MD518CBLK				50
Softail FXSB Breakout 0096	Left	2013-2014	FA457		FA457V	FA457HH★	FSD008		VR023BLK			51
	Right											52
Softail FXSB Breakout 0096 & 103		2015-2017				FA296HH★	MD530	MD518CBLK				53
Softail FXBR Breakout		2018-2020				FA296HH★	MD530	MD518CBLK				54
Softail FXBRS Breakout 114		2018-2022				FA296HH★	MD530	MD518CBLK				55
Softail FXBRS Breakout 114 Anniversary		2018-2020				FA296HH★	MD530	MD518CBLK				56
Softail FLDE Deluxe 107		2018-2022				FA296HH★	MD526	MD518CBLK				57
Softail FXFB Fat Bob		2018-2020				FA296HH★	MD530*		VR520BLK*			58
Softail FXFBS Fat Bob 107 & 114		2018-2023				FA296HH★	MD530*		VR520BLK*			59
Softail FXDR 114-FXDRS		2018-2022				FA296HH★	MD530*		VR520BLK*			60

*-2 Sets Required. † For Vee disc colours add RED, BLU, GRN, GLD, ORG suffix to part number.

⊗ - Also available as a Vintage Motorcycle Disc. ★ - EPFA available. ⚙ - Disc made of Billet steel. ♦ - CE solid discs for Enduro use.

Non-JAPANESE Built Motorcycles

Line #	BRAKE DISC CHOICES - FRONT			DISC PAD CHOICES - REAR				BRAKE DISC CHOICES - REAR				
	SMX Oversize 320mm Disc Kit Front Left	Front disc bolt kit	Front Brake Line	FA, SFA, TT Pad or Brake Shoe	SFAC Carbon Scooter Pads	Speciality Pads - SXR / Vee / MXS	Sintered HH/R Pads/ Grooved Shoes	Standard Replacement Disc	Contour Disc Rear Fitment	Vee Discs CONTOUR	CX Extreme MX Race Disc / UTVX Disc	Rear disc bolt kit
1				FA400		FA400V	FA400HH★	RSD008	RSD018C	VR020BLK		
2												
3				FA400		FA400V	FA400HH★	RSD008	RSD018C	VR020BLK		
4												
5				FA434		FA434V	FA434HH	RSD008	RSD018C	VR020BLK		
6												
7				FA400		FA400V	FA400HH★	RSD008	RSD018C	VR020BLK		
8												
9				FA400		FA400V	FA400HH★	RSD008	RSD018C	VR020BLK		
10												
11				FA434		FA434V	FA434HH	RSD008	RSD018C	VR020BLK		
12												
13				FA400		FA400V	FA400HH★	RSD008	RSD018C	VR020BLK		
14												
15				FA434		FA434V	FA434HH	RSD008	RSD018C	VR020BLK		
16												
17						FA458V	FA458HH★	RSD008	RSD018C	VR020BLK		
18												
19						FA458V	FA458HH★	RSD008	RSD018C	VR020BLK		
20						FA458V	FA458HH★	RSD008	RSD018C	VR020BLK		
21												
22			BLM5026-2F			FA458V	FA458HH★	RSD008	RSD018C	VR020BLK		
23						FA458V	FA458HH★	RSD008	RSD018C	VR020BLK		
24												
25						FA458V	FA458HH★	RSD008	RSD018C	VR020BLK		
26												
27						FA458V	FA458HH★	RSD008	RSD018C	VR020BLK		
28												
29			BLM5034-1F			FA458V	FA458HH★	RSD008	RSD018C	VR020BLK		
30						FA458V	FA458HH★	RSD008	RSD018C	VR020BLK		
31												
32						FA458V	FA458HH★	RSD008	RSD018C	VR020BLK		
33												
34						FA458V	FA458HH★	RSD008	RSD018C	VR020BLK		
35						FA710	FA710HH★	RSD008	RSD008CBLK	VR020BLK		
36						FA710	FA710HH★	RSD008	RSD008CBLK	VR020BLK		
37						FA710	FA710HH★	RSD008	RSD008CBLK	VR020BLK		
38						FA458V	FA458HH★	RSD008	RSD018C	VR020BLK		
39												
40						FA458V	FA458HH★	RSD008	RSD018C	VR020BLK		
41												
42						FA458V	FA458HH★	RSD008	RSD018C	VR020BLK		
43												
44						FA458V	FA458HH★	RSD008	RSD018C	VR020BLK		
45												
46						FA710	FA710HH★	RSD008	RSD018C	VR020BLK		
47						FA710	FA710HH★	RSD008	RSD018C	VR020BLK		
48						FA458V	FA458HH★	RSD008	RSD018C	VR020BLK		
49												
50			BLM5018-1F			FA458V	FA458HH★	RSD008	RSD018C	VR020BLK		
51						FA458V	FA458HH★	RSD008	RSD018C	VR020BLK		
52												
53			BLM5079-1F			FA458V	FA458HH★	RSD008	RSD008CBLK	VR020BLK		
54						FA710	FA710HH★	RSD008	RSD008CBLK	VR020BLK		
55						FA710	FA710HH★	RSD008	RSD008CBLK	VR020BLK		
56						FA710	FA710HH★	RSD008	RSD008CBLK	VR020BLK		
57						FA710	FA710HH★	RSD008	RSD008CBLK	VR020BLK		
58						FA710	FA710HH★	RSD008	RSD008CBLK	VR020BLK		
59						FA710	FA710HH★	RSD008	RSD008CBLK	VR020BLK		
60						FA387	FA387V	FA387HH★				

REAR / ARRIÈRE / HINTEN / POSTERIOR / POSTERIORE

R Suffix = High Durability Sintered Pad. **HH** Suffix = High Performance Sintered Pad. **TT** Suffix = Hard Wearing Off Road Pad. **V** Suffix = Semi Sintered Pad. **G** Suffix = Grooved Shoe.
D Suffix = Drilled Disc. **X** Suffix = Universal Left or Right Disc. **XC** Suffix = Contoured Disc. **LS** Suffix = Left/Steel Disc. **RS** = Right/Steel Disc.

BRAKE APPLICATIONS

*-2 Sets Required. † For Vee disc colours add RED, BLU, GRN, GLD, ORG suffix to part number.

⊙ - Also available as a Vintage Motorcycle Disc. ★ - EPFA available. ⚙ - Disc made of Billet steel. ♦ - CE solid discs for Enduro use.

Non-JAPANESE Built Motorcycles



HARLEY DAVIDSON® Contd.



R Suffix = High Durability Sintered Pad. **HH** Suffix = High Performance Sintered Pad. **TT** Suffix = Hard Wearing Off Road Pad. **V** Suffix = Semi Sintered Pad. **G** Suffix = Grooved Shoe.

D Suffix = Drilled Disc. **X** Suffix = Universal Left or Right Disc. **XC** Suffix = Contoured Disc. **LS** Suffix = Left/Steel Disc. **RS** = Right/Steel Disc.

	DISC PAD CHOICES - FRONT				BRAKE DISC CHOICES - FRONT					Line #
	FA, SFA, TT Pad or Brake Shoe	SFAC Carbon Scooter Pads	Speciality Pads - SXR / Vee / MXS	Sintered/HH Pads/ Grooved Shoes	Standard Replacement Discs	Contour Disc Universal Left and Right	Vee-Discs Black † See note below	CX Extreme Disc / UTVX Disc	OSX Oversize 250mm or 280mm	
Softail FLHC Heritage Classic 107				FA296HH★	MD526	MD518CBLK				1
Softail FLHCS Heritage Classic 114				FA296HH★	MD526	MD518CBLK				2
Softail FLHCS Heritage Classic 114 Anniversary				FA296HH★	MD526	MD518CBLK				3
Softail FXLR Low Rider 107				FA296HH★	MD526	MD518CBLK				4
Softail FXLRS Low Rider S 114				FA296HH★	MD526	MD518CBLK				5
Softail FXLRST Low Rider ST 117				FA296HH★	MD526*		VR520BLK*			6
Softail FLSL Softail Slim 107				FA296HH★	MD526	MD518CBLK				7
Softail FXBB Street Bob 107				FA296HH★	MD526	MD518CBLK				8
Softail FXLRT Low Rider EL Diablo 117				FA296HH★	MD526*		VR520BLK*			9
Softail FLSS Sport Glide 107				FA296HH★	MD526	MD518CBLK				10
S Series FLSS Softail Slim S				FA296HH★	MD530	MD518CBLK				11
S Series FLSTFBS Fat Boy S				FA296HH★	MD530	MD518CBLK				12
Touring FLT, FLHT, FLHTCI Ultraglide®, Electraglide®, Electraglide Classic®/Ultra Classic®	1980-1983	FA072*		FA072V*						13
Touring FLT, FLHT, FLHTCI Ultraglide®, Electraglide®, Electraglide Classic®/Ultra Classic®	1984-1985	FA094*		FA094V*	FA094HH★					14
Touring FLT, FLHT, FLHTCI Ultraglide®, Electraglide®, Electraglide Classic®/Ultra Classic®	1986-1999	FA094*		FA094V*	FA094HH★	FSD007*	FSD011C*	VR011BLK*		15
Touring FLHR, FLHRCI										16
Road King®, Road King Classic®	1994-1999	FA094*		FA094V*	FA094HH★	FSD007*	FSD011C*	VR011BLK*		17
Touring FLHR Road King	2000-2007	FA400*		FA400V*	FA400HH★	FSD008*	FSD012CBLK*	VR010BLK*		18
Touring FLHRCI Road King Classic	2000-2007	FA400*		FA400V*	FA400HH★	FSD008*	FSD012CBLK*	VR010BLK*		19
Touring FLHRS Road King Custom	2004-2007	FA400*		FA400V*	FA400HH★	FSD008*	FSD012CBLK*	VR010BLK*		20
Touring FLHT Electra Glide Standard	2000-2007	FA400*		FA400V*	FA400HH★	FSD008*	FSD012CBLK*	VR010BLK*		21
Touring FLHTC Electra Glide Classic	2000-2007	FA400*		FA400V*	FA400HH★	FSD008*	FSD012CBLK*	VR010BLK*		22
Touring FLHTCU-I Electra Glide	Left 2000-2007	FA400*		FA400V*	FA400HH★	FSD008*	FSD012CBLK*	VR010BLK*		23
Ultra Classic	Right									24
Touring FLHX/FLHXi Street Glide	2006-2007	FA400*		FA400V*	FA400HH★	FSD008*	FSD012CBLK*	VR010BLK*		25
Touring FLTR/FLTR-i Road Glide	2000-2007	FA400*		FA400V*	FA400HH★	FSD008*	FSD012CBLK*	VR010BLK*		26
Touring FLHR Road King 0096	2008-2016	FA409*		FA409V*	FA409HH★	MD541*		VR520BLK*		27
Touring FLHR Road King	2015-2023	FA409*		FA409V*	FA409HH★	MD529*		VR529		28
Touring FLHRC Road King Classic 0096	2008-2020	FA409*		FA409V*	FA409HH★	MD541*		VR520BLK*		29
Touring FLHRXS Road King Special 114	2017-2023	FA409*		FA409V*	FA409HH★	MD529*		VR529		30
Touring FLHRXS Road King Special 114	2017-2023	FA409*		FA409V*	FA409HH★	MD526*		VR520BLK*		31
Touring FLHT Electra Glide Standard 0096	2008-2010	FA409*		FA409V*	FA409HH★	MD541*		VR520BLK*		32
Touring FLHT Electra Glide Standard	2021-2022	FA409*		FA409V*	FA409HH★	MD541*		VR520BLK*		33
Touring FLH Revival	2021	FA409*		FA409V*	FA409HH★	MD529*		VR529		34
Touring FLH Revival	2021	FA409*		FA409V*	FA409HH★	MD541*		VR520BLK*		35
Touring FLHTC Electra Glide Classic 0096	2008-2013	FA409*		FA409V*	FA409HH★	MD541*		VR520BLK*		36
Touring FLHTCU Ultra Classic Electra Glide 0096	2008-2013	FA409*		FA409V*	FA409HH★	MD541*		VR520BLK*		37
Touring FLHTCU Ultra Classic Electra Glide	2014-2020	FA409*		FA409V*	FA409HH★	MD529*		VR529		38
Touring FLHTCUL Ultra Classic Electra Glide Low	2015-2016	FA409*		FA409V*	FA409HH★	MD529*		VR529		39
Touring FLTR Road Glide	2008-2009	FA409*		FA409V*	FA409HH★	MD541*		VR520BLK*		40
Touring FLTRU Road Glide Ultra	2011-2013	FA409*		FA409V*	FA409HH★	MD541*		VR520BLK*		41
Touring FLTRU Road Glide Ultra	2016-2020	FA409*		FA409V*	FA409HH★	MD529*		VR529		42
Touring FLTRU Road Glide Ultra Limited	2021-2023	FA409*		FA409V*	FA409HH★	MD529*		VR529		43
Touring FLHX Street Glide 0096	2008-2013	FA409*		FA409V*	FA409HH★	MD541*		VR520BLK*		44
Touring FLHX Street Glide	2014-2023	FA409*		FA409V*	FA409HH★	MD529*		VR529		45
Touring FLHX Street Glide ST	2022-2023	FA409*		FA409V*	FA409HH★	MD529*		VR529		46
Touring FLHXS Street Glide Special	2015-2017	FA409*		FA409V*	FA409HH★	MD529*		VR529		47
Touring FLHXS Street Glide Special	2015-2017	FA409*		FA409V*	FA409HH★	MD529*		VR529		48
Touring FLHXS Street Glide Special	2018-2023	FA409*		FA409V*	FA409HH★	MD529*		VR529		49
Touring FLHXS Street Glide Special	2018-2023	FA409*		FA409V*	FA409HH★	MD526*		VR520BLK*		50
Touring FLHXSE CVO Street Glide	2021-2022	FA409*		FA409V*	FA409HH★	MD529*		VR529		51
Touring FLHXSE CVO Street Glide Custom	2018-2019	FA409*		FA409V*	FA409HH★	MD530*		VR520BLK*		52
Touring FLHXSE CVO Street Glide 121	2023-2024	FA630*		FA630V*	FA630HH★	MD8032X*				53
Touring FLTRX Road Glide	2015-2023	FA409*		FA409V*	FA409HH★	MD529*		VR529		54
Touring FLTRX Road Glide ST	2022-2023	FA409*		FA409V*	FA409HH★	MD529*		VR529		55
Touring FLTRX Road Glide Custom	2010-2012	FA409*		FA409V*	FA409HH★	MD541*		VR520BLK*		56
Touring FLTRX Road Glide Limited	2018-2023	FA409*		FA409V*	FA409HH★	MD529*		VR529		57

FRONT / AVANT / VORN / VORN / FRENTE / ANTERIORE

*-2 Sets Required. † For Vee disc colours add RED, BLU, GRN, GLD, ORG suffix to part number.

⊗ - Also available as a Vintage Motorcycle Disc. ★ - EPFA available. ⚙ Disc made of Billet steel. ♦ CE solid discs for Enduro use.

Non-JAPANESE Built Motorcycles

Line #	BRAKE DISC CHOICES - FRONT			DISC PAD CHOICES - REAR				BRAKE DISC CHOICES - REAR				
	SMX Oversize 320mm Disc Kit Front Left	Front disc bolt kit	Front Brake Line	FA, SFA, TT Pad or Brake Shoe	SFAC Carbon Scooter Pads	Speciality Pads - SXR / Vee / MXS	Sintered HH/R Pads/ Grooved Shoes	Standard Replacement Disc	Contour Disc Rear Fitment	Vee Discs CONTOUR	CX Extreme MX Race Disc / UTVX Disc	Rear disc bolt kit
1				FA710		FA710V	FA710HH★	RSD008	RSD018C	VR020BLK		
2				FA710		FA710V	FA710HH★	RSD008	RSD018C	VR020BLK		
3				FA710		FA710V	FA710HH★	RSD008	RSD018C	VR020BLK		
4				FA710		FA710V	FA710HH★	RSD008	RSD008CBLK	VR020BLK		
5				FA710		FA710V	FA710HH★	RSD008	RSD008CBLK	VR020BLK		
6				FA710		FA710V	FA710HH★	RSD008	RSD008CBLK	VR020BLK		
7				FA710		FA710V	FA710HH★	RSD008	RSD018C	VR020BLK		
8				FA710		FA710V	FA710HH★	RSD008	RSD008CBLK	VR020BLK		
9				FA710		FA710V	FA710HH★	RSD008	RSD008CBLK	VR020BLK		
10				FA710		FA710V	FA710HH★	RSD008	RSD008CBLK	VR020BLK		
11						FA458V	FA458HH★	RSD008	RSD008CBLK	VR020BLK		
12						FA458V	FA458HH★	RSD008	RSD008CBLK	VR020BLK		
13												
14				FA079		FA079V						
15												
16				FA079		FA079V						
17												
18				FA201		FA201V		MD509SR⊕				
19												
20			BLM5010-3F	FA201		FA201V		MD509SR⊕				
21			BLM5010-3F	FA400		FA400V	FA400HH★	RSD008	RSD018C	VR020BLK		
22			BLM5010-3F	FA400		FA400V	FA400HH★	RSD008	RSD018C	VR020BLK		
23			BLM5013-3F	FA400		FA400V	FA400HH★	RSD008	RSD018C	VR020BLK		
24			BLM5014-3F	FA400		FA400V	FA400HH★	RSD008	RSD018C	VR020BLK		
25				FA400		FA400V	FA400HH★	RSD008	RSD018C	VR020BLK		
26				FA400		FA400V	FA400HH★	RSD008	RSD018C	VR020BLK		
27												
28			BLM5014-3F	FA400		FA400V	FA400HH★	RSD008	RSD018C	VR020BLK		
29			BLM5010-3F	FA400		FA400V	FA400HH★	RSD008	RSD018C	VR020BLK		
30				FA409		FA409V	FA409HH★	MD521	VR521BLK			
31				FA409		FA409V	FA409HH★	MD542	VR521BLK			
32			BLM5007-3F	FA409		FA409V	FA409HH★	MD521	VR521BLK			
33				FA409		FA409V	FA409HH★	MD542	VR521BLK			
34				FA409		FA409V	FA409HH★	MD542	VR521BLK			
35				FA409		FA409V	FA409HH★	MD521	VR521BLK			
36				FA409		FA409V	FA409HH★	MD542	VR521BLK			
37				FA409		FA409V	FA409HH★	MD542	VR521BLK			
38				FA409		FA409V	FA409HH★	MD542	VR521BLK			
39				FA409		FA409V	FA409HH★	MD521	VR521BLK			
40				FA409		FA409V	FA409HH★	MD521	VR521BLK			
41				FA409		FA409V	FA409HH★	MD542	VR521BLK			
42				FA409		FA409V	FA409HH★	MD542	VR521BLK			
43			BLM5042-4F	FA409		FA409V	FA409HH★	MD521	VR521BLK			
44			BLM5042-4F	FA409		FA409V	FA409HH★	MD521	VR521BLK			
45				FA409		FA409V	FA409HH★	MD542	VR521BLK			
46				FA409		FA409V	FA409HH★	MD542	VR521BLK			
47				FA409		FA409V	FA409HH★	MD542	VR521BLK			
48			BLM5009-3F	FA409		FA409V	FA409HH★	MD542	VR521BLK			
49				FA409		FA409V	FA409HH★	MD542	VR521BLK			
50				FA409		FA409V	FA409HH★	MD542	VR521BLK			
51				FA409		FA409V	FA409HH★	MD542	VR521BLK			
52				FA409		FA409V	FA409HH★	MD542	VR521BLK			
53				FA409		FA409V	FA409HH★	MD542	VR521BLK			
54				FA409		FA409V	FA409HH★	MD542	VR521BLK			
55				FA409		FA409V	FA409HH★	MD542	VR521BLK			
56				FA409		FA409V	FA409HH★	MD542	VR521BLK			
57			BLM5044-1F	FA409		FA409V	FA409HH★	MD542	VR521BLK			
58				FA409		FA409V	FA409HH★	MD542	VR521BLK			
59				FA409		FA409V	FA409HH★	MD521	VR521BLK			
60				FA409		FA409V	FA409HH★	MD542	VR521BLK			

REAR / ARRIÈRE / HINTEN / POSTERIOR / POSTERIORE

R Suffix = High Durability Sintered Pad. HH Suffix = High Performance Sintered Pad. TT Suffix = Hard Wearing Off Road Pad. V Suffix = Semi Sintered Pad. G Suffix = Grooved Shoe.
D Suffix = Drilled Disc. X Suffix = Universal Left or Right Disc. XC Suffix = Contoured Disc. LS Suffix = Left/Steel Disc. RS = Right/Steel Disc.

BRAKE APPLICATIONS

*-2 Sets Required. † For Vee disc colours add RED, BLU, GRN, GLD, ORG suffix to part number.

⊕ - Also available as a Vintage Motorcycle Disc. ★ - EPFA available. ⊕ Disc made of Billet steel. ◆ CE solid discs for Enduro use.

Non-JAPANESE Built Motorcycles



HARLEY DAVIDSON® Contd.



DISC PAD CHOICES - FRONT

BRAKE DISC CHOICES - FRONT

FRONT / AVANT / VORN / FRENTE / ANTERIORE

			FA, SFA, TT Pad or Brake Shoe	SFAC Carbon Scooter Pads	Speciality Pads - SXR / Vee / MXS	Sintered/ HH Pads/ Grooved Shoes	Standard Replacement Discs	Contour Disc Universal Left and Right	Vee-Discs Black † See note below	CX Extreme Disc / UTVX Disc	OSX Oversize 250mm or 280mm	Line #
Touring	FLTRX Road Glide Limited CVO	2022-2023	FA409*		FA409V*	FA409HH*★	MD529*		VR529			1
Touring	FLTRXS Road Glide Special	2015-2018	FA409*		FA409V*	FA409HH*★	MD526*		VR520BLK*			2
Touring	FLTRXS Road Glide Special	2015-2018	FA409*		FA409V*	FA409HH*★	MD529*		VR529			3
Touring	FLTRX Road Glide Special	2021-2023	FA409*		FA409V*	FA409HH*★	MD529*		VR529			4
Touring	FLTRXSE Road Glide CVO 117	2018-2023	FA409*		FA409V*	FA409HH*★	MD518*		VR520BLK*			5
Touring	FLTRXST Road Glide Special ST	2022	FA409*		FA409V*	FA409HH*★	MD529*		VR529			6
Touring	FLTRXSE CVO Road Glide 121	2023-2024	FA630*		FA630V*	FA630HH*★	MD8032X*					7
Touring	FLHTK Electra Glide Ultra LTD	2010-2013	FA409*		FA409V*	FA409HH*★	MD541*		VR520BLK*			8
Touring	FLHTK Electra Glide Ultra LTD	2015-2021	FA409*		FA409V*	FA409HH*★	MD529*		VR529			9
Touring	FLHTKL Electra Glide Ultra LTD Low	2015-2020	FA409*		FA409V*	FA409HH*★	MD529*		VR529			10
Touring	FLHTKSE CVO Limited	2021-2023	FA409*		FA409V*	FA409HH*★	MD529*		VR529			11
Touring	RA 1250 Pan America Adventure	2020-2024	FA630*		FA630V*	FA630HH*★	MD8020*					12
Touring	RA 1250 S Pan America Adventure Special	2020-2024	FA630*		FA630V*	FA630HH*★	MD8018X					13
Trike	FLHTCUTG Tri Glide Ultra Classic Trike	2009-2013	FA409*		FA409V*	FA409HH*★	MD541*		VR520BLK*			14
Trike	FLHXXX Street Glide Trike	2010-2013	FA409*		FA409V*	FA409HH*★	MD541*		VR520BLK*			15
Trike	FLHTCUTG Tri Glide Ultra	2014-2019			FA638V*	FA638HH*	MD530*		VR520BLK*			16
Trike	FLHTCUTG Tri Glide Ultra	2020-2023			FA638V*	FA638HH*	MD530*		VR520BLK*			17
Trike	FLRT Freewheeler Trike	2015-2019			FA638V*	FA638HH*	MD530*		VR520BLK*			18
Trike	FLRT Freewheeler Trike	2020-2023			FA638V*	FA638HH*	MD530*		VR520BLK*			19
Trike	FLHTCUTGSE CVO Tri Glide	2021-2023	FA409*		FA409V*	FA409HH*★	MD530*		VR520BLK*			20
V-Rod	VRSCA	2002-2005	FA400*		FA400V*	FA400HH*★	MD514LS		VR514*			21
		Left										22
		Right										23
V-Rod	VRSCB	2004-2005	FA400*		FA400V*	FA400HH*★	MD514LS		VR514*			24
		Left										25
		Right										26
V-Rod	VRSCA	2006	FA409*		FA409V*	FA409HH*★	MD516*					27
V-Rod	VRSCD Night Rod	2006-2008	FA409*		FA409V*	FA409HH*★	MD516*					28
V-Rod	VRSCAW	2007	FA409*		FA409V*	FA409HH*★	MD516*					29
V-Rod	VRSCAW	2008-2010	FA409*		FA409V*	FA409HH*★	MD518*		VR520BLK*			30
V-Rod	VRSCDX Night Rod Special inc 105 model	2007-2017	FA409*		FA409V*	FA409HH*★	MD516*					31
V-Rod	VRSCDX Night Rod Special Ann	2012	FA409*		FA409V*	FA409HH*★	MD516*					32
V-Rod	VRSCF Muscle inc 105 model	2009-2017	FA409*		FA409V*	FA409HH*★	MD516*					33
V-Rod	VRSCR Street Rod	2006-2007	FA409*		FA409V*	FA409HH*★	MD516*					34
V-Rod	VRSCX Screaming Eagle V-Rod	2007	FA409*		FA409V*	FA409HH*★	MD518*		VR520BLK*			35
												36
												37
												38
												39
												40
												41
												42
												43
												44
												45
												46
												47
												48
												49
												50
												51
												52
												53
												54
												55
												56
												57
												58
												59
												60

*-2 Sets Required. † For Vee disc colours add RED, BLU, GRN, GLD, ORG suffix to part number.

⊗ - Also available as a Vintage Motorcycle Disc. ★ - EPFA available. ⚙ - Disc made of Billet steel. ♦ - CE solid discs for Enduro use.

R Suffix = High Durability Sintered Pad. HH Suffix = High Performance Sintered Pad. TT Suffix = Hard Wearing Off Road Pad. V Suffix = Semi Sintered Pad. G Suffix = Grooved Shoe.
D Suffix = Drilled Disc. X Suffix = Universal Left or Right Disc. XC Suffix = Contoured Disc. LS Suffix = Left/Steel Disc. RS = Right/Steel Disc.

Non-JAPANESE Built Motorcycles

Line #	BRAKE DISC CHOICES - FRONT			DISC PAD CHOICES - REAR				BRAKE DISC CHOICES - REAR					
	SMX Oversize 320mm Disc Kit Front Left	Front disc bolt kit	Front Brake Line	FA, SFA, TT Pad or Brake Shoe	SFAC Carbon Scooter Pads	Speciality Pads - SXR / Vee / MXS	Sintered HH/R Pads/ Grooved Shoes	Standard Replacement Disc	Contour Disc Rear Fitment	Vee Discs CONTOUR	CX Extreme MX Race Disc / UTVX Disc	Rear disc bolt kit	Rear Brake Line
1				FA409		FA409V	FA409HH★	MD542	VR521BLK				
2				FA409		FA409V	FA409HH★	MD542	VR521BLK				
3				FA409		FA409V	FA409HH★	MD542	VR521BLK				
4				FA409		FA409V	FA409HH★	MD542	VR521BLK				
5				FA409		FA409V	FA409HH★	MD542	VR521BLK				
6				FA409		FA409V	FA409HH★	MD542	VR521BLK				
7				FA409		FA409V	FA409HH★	MD542	VR521BLK				
8				FA409		FA409V	FA409HH★	MD521	VR521BLK				
9				FA409		FA409V	FA409HH★	MD542	VR521BLK				
10				FA409		FA409V	FA409HH★	MD542	VR521BLK				
11				FA409		FA409V	FA409HH★	MD542	VR521BLK				
12				FA213		FA213V	FA213HH★	MD8019					
13				FA213		FA213V	FA213HH★	MD8019					
14							FA605/4HH	MD540					
15							FA605/4HH	MD540					
16							FA641/4HH	MD538					
17				FA631		FA631V	FA631HH	MD538					
18							FA641/4HH	MD538					
19				FA631		FA631V	FA631HH	MD538					
20				FA631		FA631V	FA631HH	MD538					
21													
22				FA400		FA400V	FA400HH★	MD515					
23													
24				FA400		FA400V	FA400HH★	MD515					
25			BLM5096-3F	FA409		FA409V	FA409HH★	MD517					
26			BLM5097-3F	FA409		FA409V	FA409HH★	MD517					
27				FA409		FA409V	FA409HH★	MD517					
28			BLM5096-3F	FA409		FA409V	FA409HH★	MD517					
29				FA409		FA409V	FA409HH★	MD517					
30			BLM5097-3F	FA409		FA409V	FA409HH★	MD517					
31			BLM5104-3F	FA409		FA409V	FA409HH★	MD525					
32				FA409		FA409V	FA409HH★	MD517					
33				FA409		FA409V	FA409HH★	MD517					
34													
35													
36				FA115									
37				H304									
38				H304									
39				S602									
40				FA197									
41													
42													
43				H353									
44				H353									
45				H353									
46				H352									
47				H352									
48				H352									
49				FA343			FA343HH						
50													
51													
52													
53													
54													
55				H304									
56				H304									
57				H304									
58				H304									
59				H304									
60				H352									

REAR / ARRIÈRE / HINTEN / POSTERIOR / POSTERIORE

R Suffix = High Durability Sintered Pad. **HH** Suffix = High Performance Sintered Pad. **TT** Suffix = Hard Wearing Off Road Pad. **V** Suffix = Semi Sintered Pad. **G** Suffix = Grooved Shoe.
D Suffix = Drilled Disc. **X** Suffix = Universal Left or Right Disc. **XC** Suffix = Contoured Disc. **LS** Suffix = Left/Steel Disc. **RS** = Right/Steel Disc.

BRAKE APPLICATIONS

*-2 Sets Required. † For Vee disc colours add RED, BLU, GRN, GLD, ORG suffix to part number.

⊗ - Also available as a Vintage Motorcycle Disc. ★ - EPFA available. ⚙ - Disc made of Billet steel. ♦ - CE solid discs for Enduro use.

Part numbers, prefixes, suffixes, photos and illustrations shown in this catalogue are trademarks and/or copyrights of EBC Brakes or the trademark owner A C Freeman Investments Ltd and use without express written permission of the owners is punishable by law.

Non-JAPANESE Built Motorcycles



HERO HONDA Contd.



		DISC PAD CHOICES - FRONT			BRAKE DISC CHOICES - FRONT					Line #
		FA, SFA, TT Pad or Brake Shoe	SFAC Carbon Scooter Pads	Speciality Pads - SXR / Vee / MXS	Sintered/HH Pads/ Grooved Shoes	Standard Replacement Discs	Contour Disc Universal Left and Right	Vee-Discs Black † See note below	CX Extreme Disc / UTVX Disc	
Glamour 125	2008	H352								1
Glamour PGM Fi 125cc	2008	H352								2
Magellan 125	2006	FA197			FA197HH★					3
Punto 125	2006	FA197			FA197HH★					4
Quickster 125	2006	FA101								5
Slickster 125	2006	FA086			FA086HH					6
Super Splendor 125	2008	H352								7
Achiever 150	2008	FA197								8
Hunk 150	2008									9
CBZ X-treme	2008	FA197								10
Karizma 223	2008									11
HIGHLAND										
950 V2 Motard Motard	2000-2004	FA181TT		MXS181	FA181R					12
950 V2 OuTBCck OuTBCck	2000-2004	FA181TT		MXS181	FA181R					13
HONDA DALL-ARA										
XR 125 SM	2004	FA185TT		MXS185	FA185R					14
XR 250 R	2004	FA185TT		MXS185	FA185R	MD6001D			MD6001CX	15
XR 250 SM	2004	FA185TT		MXS185	FA185R					16
XR 400/440 R	2004	FA185TT		MXS185	FA185R	MD6037D			MD6037CX	17
XR 400/440 SM	2004	FA185TT		MXS185	FA185R	MD6037D			MD6037CX	18
XR 650 R	2004	FA185TT		MXS185	FA185R	MD6001D			MD6001CX	19
HONDA-HM ITALY										
CRE 50 Baja RR	2007-2009	FA194			FA194HH					20
CRE 50 Baja RR	2007-2009	FA194			FA194HH					21
CRE 50 Baja RR	2010-2012	FA194			FA194HH					22
CRE 50 Baja/Derapage	2001-2002	FA181TT		MXS181	FA181R					23
CRE 50 Baja/Six/Derapage	2003-2009	FA194			FA194HH					24
CRE 50 Derapage RR	2007-2009	FA194			FA194HH					25
CRE 50 Derapage RR	2007-2009	FA194			FA194HH					26
CRE 50 Six	2001-2002	FA181TT		MXS181	FA181R					27
CRE 50 Six Competition	2007-2008	FA194			FA194HH					28
CRE 50 Six Competition	2007-2012	FA654								29
CRE 50 Six/Baja/Derapage	1995-2002	FA194			FA194HH					30
CRE 50 Six/Baja/Derapage	1995-2002	FA134			FA134R					31
CRE 50 Six/Baja/Derapage	1995-2002	FA166								32
CRE 50 Six/Baja/Derapage	1995-2002	FA382								33
CRM 50 Derapage Competition	2007-2008	FA194			FA194HH					34
CRM 50 Derapage Competition	2009-2012	FA654								35
CRE 80 CRE 80	1998-2002	FA084TT		MXS084	FA084R	MD6058D			MD6058CX	36
CR 85 R/R2	2003-2007	FA084TT		MXS084	FA084R	MD6058D			MD6058CX	37
CR 125 Motard	2004-2006	FA185TT		MXS185	FA185R					38
CRE 125	1995-1997	FA185TT		MXS185	FA185R	MD6037D			MD6037CX	39
CRE 125	1998-2001	FA185TT		MXS185	FA185R	MD6037D			MD6037CX	40
CRE 125 Baja RR 2T	2011	FA465TT		MXS465	FA465R					41
CRE 125 FX	2009	FA194			FA194HH					42
CRE 125 FX Six	2011-2012	FA654								43
CRE 125 R Enduro	2002-2003	FA185TT		MXS185	FA185R	MD6037D			MD6037CX	44
CRE 125 R Enduro	2004-2007	FA185TT		MXS185	FA185R	MD6037D			MD6037CX	45
CRE 125 R Supermotard	2002-2006	FA185TT		MXS185	FA185R				MD6037CX	46
CRE 125 Six Competition 2T	2011	FA185TT		MXS185	FA185R					47
CRM 125 Derapage Competition	2011-2012	FA654								48
CRM 125 Derapage RR	2011	FA185TT		MXS185	FA185R					49
CRM 125 FX	2009	FA194			FA194HH					50
CRM 125 FX Derapage Competition	2010-2011	FA654								51
CRM 125 R Supermoto	2007	FA433/4			FA433/4HH★					52
CRF 150 R/R2	2007-2009	FA084TT			FA084R	MD6314D	MD6314C		MD6314CX	53
CRF 230 Easy Enduro	2004-2007	FA185TT		MXS185	FA185R	MD6037D			MD6037CX	54

FRONT / AVANT / VORN / FREITE / ANTERIORE

R Suffix = High Durability Sintered Pad. HH Suffix = High Performance Sintered Pad. TT Suffix = Hard Wearing Off Road Pad. V Suffix = Semi Sintered Pad. G Suffix = Grooved Shoe.
D Suffix = Drilled Disc. X Suffix = Universal Left or Right Disc. XC Suffix = Contoured Disc. LS Suffix = Left/Steel Disc. RS = Right/Steel Disc.

*-2 Sets Required. † For Vee disc colours add RED, BLU, GRN, GLD, ORG suffix to part number.

⊗ - Also available as a Vintage Motorcycle Disc. ★ - EPFA available. ⚙ Disc made of Billet steel. ♦ CE solid discs for Enduro use.

240 Part numbers, prefixes, suffixes, photos and illustrations shown in this catalogue are trademarks and/or copyrights of EBC Brakes or the trademark owner A C Freeman Investments Ltd and use without express written permission of the owners is punishable by law.

Non-JAPANESE Built Motorcycles

BRAKE APPLICATIONS

Line #	BRAKE DISC CHOICES - FRONT			DISC PAD CHOICES - REAR				BRAKE DISC CHOICES - REAR					
	SMX Oversize 320mm Disc Kit Front Left	Front disc bolt kit	Front Brake Line	FA, SFA, TT Pad or Brake Shoe	SFAC Carbon Scooter Pads	Speciality Pads - SXR / Vee / MXS	Sintered HH/R Pads/ Grooved Shoes	Standard Replacement Disc	Contour Disc Rear Fitment	Vee Discs CONTOUR	CX Extreme MX Race Disc / UTVX Disc	Rear disc bolt kit	Rear Brake Line
1				H304									
2				H304									
3													
4													
5													
6													
7				H352									
8				H352									
9				H352									
10				H352									
11				H352									
12													
13													
14				FA208TT		MXS208	FA208R						
15				FA208TT		MXS208	FA208R						
16													
17													
18				FA115		MXS115	FA115R						
19				FA131TT		MXS131	FA131R	MD6013D			MD6013CX		
20				FA346TT		MXS346	FA346R	MD6013D			MD6013CX		
21				FA346TT		MXS346	FA346R	MD6013D			MD6013CX		
22				FA346TT		MXS346	FA346R	MD6013D			MD6013CX		
23				FA131TT		MXS131	FA131R	MD6181D			MD6181CX		
24													
25													
26				FA350			FA350HH						
27				FA346TT			FA346R						
28				FA346TT			FA346R						
29				FA115TT		MXS115	FA115R						
30				FA350			FA350HH	MD6401D					
31				FA350			FA350HH						
32				FA346TT			FA346R						
33				FA382									
34				FA346TT			FA346R						
35				FA346TT									
36				FA382									
37				FA047									
38				FA382									
39				FA047									
40				FA346TT			FA346R						
41				FA346TT			FA346R						
42				FA131TT		MXS131	FA131R	MD6005D			MD6005CX		
43				FA131TT		MXS131	FA131R	MD6005D			MD6005CX		
44				FA346TT		MXS346	FA346R		MD6191C		MD6191CX♦		
45				FA131TT		MXS131	FA131R	MD6002D			MD6002CX		
46				FA131TT		MXS131	FA131R	MD6124D			MD6124CX		
47				FA346TT			FA346R						
48				FA346TT			FA346R						
49				FA346TT									
50				FA346TT		MXS346	FA346R	MD6191D	MD6191C		MD6191CX♦		
51				FA346TT		MXS346	FA346R	MD6191D	MD6191C		MD6191CX♦		
52				FA346TT		MXS346	FA346R	MD6191D	MD6191C		MD6191CX♦		
53				FA346TT		MXS346	FA346R						
54				FA346TT			FA346R						
55				FA346TT			FA346R						
56				FA346TT			FA346R						
57				FA346TT									
58				FA346TT			FA346R	MD6191D	MD6191C				
59				FA346TT		MXS346	FA346R	MD6316D	MD6316C		MD6316CX		
60				FA346TT		MXS346	FA346R	MD6191D	MD6191C		MD6191CX♦		

REAR / ARRIÈRE / HINTEN / POSTERIOR / POSTERIORE

R Suffix = High Durability Sintered Pad. **HH** Suffix = High Performance Sintered Pad. **TT** Suffix = Hard Wearing Off Road Pad. **V** Suffix = Semi Sintered Pad. **G** Suffix = Grooved Shoe. **D** Suffix = Drilled Disc. **X** Suffix = Universal Left or Right Disc. **XC** Suffix = Contoured Disc. **LS** Suffix = Left/Steel Disc. **RS** = Right/Steel Disc.

*-2 Sets Required. † For Vee disc colours add RED, BLU, GRN, GLD, ORG suffix to part number.

⊙ - Also available as a Vintage Motorcycle Disc. ★ - EPFA available. Ⓢ Disc made of Billet steel. ♦ CE solid discs for Enduro use.

Part numbers, prefixes, suffixes, photos and illustrations shown in this catalogue are trademarks and/or copyrights of EBC Brakes or the trademark owner A C Freeman Investments Ltd and use without express written permission of the owners is punishable by law.

Non-JAPANESE Built Motorcycles



HONDA-HM ITALY Contd.



DISC PAD CHOICES - FRONT

BRAKE DISC CHOICES - FRONT

FRONT / AVANT / VORN / FRENTE / ANTERIORE

		FA, SFA, TT Pad or Brake Shoe	SFAC Carbon Scooter Pads	Speciality Pads - SXR / Vee / MXS	Sintered/HH Pads/ Grooved Shoes	Standard Replacement Discs	Contour Disc Universal Left and Right	Vee-Discs Black † See note below	CX Extreme Disc / UTVX Disc	OSX Oversize 250mm or 280mm	Line #
CRF 230 Easy Motard	2004-2007	FA185TT		MXS185	FA185R	MD6037D			MD6037CX		1
CRF 230 Easy Trail	2004-2007	FA185TT		MXS185	FA185R	MD6037D			MD6037CX		2
CRF 230 F Easy Trial All models	2004-2007	FA185TT		MXS185	FA185R	MD6037D			MD6037CX		3
CR 250 R Moto	2004	FA185TT		MXS185	FA185R	MD6037D			MD6037CX		4
CRE 250 F	2004-2009	FA185TT		MXS185	FA185R	MD6037D			MD6037CX		5
CRE 250 F	2008-2009	FA185TT		MXS185	FA185R	MD6037D			MD6037CX		6
CRE 250 FX	2008-2011	FA185TT		MXS185	FA185R	MD6037D			MD6037CX		7
CRE 250 R	1997-2001	FA185TT		MXS185	FA185R	MD6037D			MD6037CX		8
CRE 250 R	2002	FA185TT		MXS185	FA185R	MD6037D			MD6037CX		9
CRE 250 R Enduro	2002-2007	FA185TT		MXS185	FA185R	MD6037D			MD6037CX		10
CRE 250 R Enduro	2004-2007	FA185TT		MXS185	FA185R	MD6037D			MD6037CX		11
CRE 250 R Supermotard	2002-2003	FA185TT		MXS185	FA185R	MD6037D			MD6037CX		12
CRF 250	2008-2009	FA185TT		MXS185	FA185R	MD6037D			MD6037CX		13
CRF 250 F	2004-2008	FA185TT		MXS185	FA185R	MD6037D			MD6037CX		14
CRF 250 Motard	2004-2006	FA185TT		MXS185	FA185R	MD6037D			MD6037CX		15
CRM 250 Supermoto	2007	FA433/4			FA433/4HH★						16
CRE 260	1995-1996	FA185TT		MXS185	FA185R	MD6001D			MD6001CX		17
CRE 260	1997-1998	FA185TT		MXS185	FA185R	MD6001D			MD6001CX		18
CRE 290 FC	2007	FA185TT		MXS185	FA185R	MD6037D			MD6037CX		19
CRE 300 FX	2008-2009	FA185TT		MXS185	FA185R	MD6037D			MD6037CX		20
CRE 450 F	2002	FA185TT		MXS185	FA185R	MD6037D			MD6037CX		21
CRE 450 F Supermoto	2002-2003	FA185TT		MXS185	FA185R	MD6037D			MD6037CX		22
CRE 450 R Enduro	2002-2007	FA185TT		MXS185	FA185R	MD6037D			MD6037CX		23
CRE F 450 R Enduro	2004-2008	FA185TT		MXS185	FA185R	MD6037D			MD6037CX		24
CRE F 450 X R	2004-2009	FA185TT		MXS185	FA185R	MD6037D			MD6037CX		25
CRF 450 Motard R	2004-2006	FA185TT		MXS185	FA185R	MD6037D			MD6037CX		26
CRF 450 R R	2004-2009	FA185TT		MXS185	FA185R	MD6037D			MD6037CX		27
CRM F 450 R Supermoto	2007-2008	FA433/4			FA433/4HH★						28
CRM F 450 X Supermoto	2007-2009	FA433/4			FA433/4HH★						29
CRE F 490 X	2007	FA185TT		MXS185	FA185R	MD6037D			MD6037CX		30
CRM F 490 X Supermoto	2007	FA433/4			FA433/4HH★						31
CRE F 500 X	2008-2009	FA185TT		MXS185	FA185R	MD6037D			MD6037CX		32
CRM F 500 X	2011	FA433/4			FA433/4HH★						33
Baja 10/10 JR & SR	1999-2007	FA351TT									34
Baja 12/14 MX	1999-2009	FA351TT									35
											36
											37
HONGDOU											
CTM 125 Chituma	2004	FA086			FA086HH						38
HD 125-7	2005-2007	FA486									39
											40
HONLEY											
Classic 125	2016-2017	H303									42
HD2 125	2016-2017	FA464				MD2104RS					43
HD3 125	2016-2017	FA464				MD2104RS					44
HD3 SE 125	2016-2017	FA464				MD2104RS					45
Oliver 125	2015-2016	SFA151									46
RX-3 Venture 250	2015-2017	FA664			FA664R						47
HD1 125	2014-2015	FA464				MD2104RS					48
											49
HOREX											
Rebell 80 T	1986	FA050*									51
Sport 80 L	1986	FA050*									52
500/600 Columbus	1988	FA018*		FA018V*	FA018HH*						53
HRD 600	1985	FA018*		FA018V*	FA018HH*						54
VR6 Classic Classic	2013-2014	FA244*			FA244HH*★						55
VR6 Roadster Roadster	2011-2014	FA244*			FA244HH*★						56
											57
											58
HRD Also see SHERCO											
GS 50	2002	FA194									59
RP 50 Cross	1983				944G						60

*-2 Sets Required. † For Vee disc colours add RED, BLU, GRN, GLD, ORG suffix to part number.

⊗ - Also available as a Vintage Motorcycle Disc. ★ - EPFA available. ⚙ - Disc made of Billet steel. ◆ - CE solid discs for Enduro use.

Non-JAPANESE Built Motorcycles

Line #	BRAKE DISC CHOICES - FRONT			DISC PAD CHOICES - REAR				BRAKE DISC CHOICES - REAR					
	SMX Oversize 320mm Disc Kit Front Left	Front disc bolt kit	Front Brake Line	FA, SFA, TT Pad or Brake Shoe	SFAC Carbon Scooter Pads	Speciality Pads - SXR / Vee / MXS	Sintered HH/R Pads/ Grooved Shoes	Standard Replacement Disc	Contour Disc Rear Fitment	Vee Discs CONTOUR	CX Extreme MX Race Disc / UTVX Disc	Rear disc bolt kit	Rear Brake Line
1				FA346TT		MXS346	FA346R	MD6191D	MD6191C		MD6191CX♦		
2				FA346TT		MXS346	FA346R	MD6191D	MD6191C		MD6191CX♦		
3				H304									
4				FA346TT		MXS346	FA346R	MD6191D	MD6191C		MD6191CX♦		
5				FA346TT		MXS346	FA346R	MD6191D	MD6191C		MD6191CX♦		
6				FA131TT		MXS131	FA131R	MD6191D	MD6191C		MD6191CX♦		
7				FA346TT		MXS346	FA346R	MD6191D	MD6191C		MD6191CX♦		
8				FA131TT		MXS131	FA131R	MD6124D			MD6124CX		
9				FA346TT		MXS346	FA346R	MD6191D	MD6191C		MD6191CX♦		
10				FA346TT		MXS346	FA346R	MD6191D	MD6191C		MD6191CX♦		
11				FA346TT		MXS346	FA346R	MD6191D	MD6191C		MD6191CX♦		
12				FA346TT		MXS346	FA346R	MD6191D	MD6191C		MD6191CX♦		
13				FA346TT		MXS346	FA346R	MD6191D	MD6191C		MD6191CX♦		
14				FA346TT		MXS346	FA346R	MD6191D	MD6191C		MD6191CX♦		
15				FA346TT		MXS346	FA346R	MD6191D	MD6191C		MD6191CX♦		
16				FA346TT			FA346R	MD6191D	MD6191C		MD6191CX♦		
17				FA131TT		MXS131	FA131R	MD6002D			MD6002CX		
18				FA131TT		MXS131	FA131R	MD6124D			MD6124CX		
19				FA346TT		MXS346	FA346R	MD6191D	MD6191C		MD6191CX♦		
20				FA346TT		MXS346	FA346R	MD6191D	MD6191C		MD6191CX♦		
21				FA346TT		MXS346	FA346R	MD6191D	MD6191C		MD6191CX♦		
22				FA346TT		MXS346	FA346R	MD6191D	MD6191C		MD6191CX♦		
23				FA346TT		MXS346	FA346R	MD6191D	MD6191C		MD6191CX♦		
24				FA346TT		MXS346	FA346R	MD6191D	MD6191C		MD6191CX♦		
25				FA346TT		MXS346	FA346R	MD6191D	MD6191C		MD6191CX♦		
26				FA346TT		MXS346	FA346R	MD6191D	MD6191C		MD6191CX♦		
27				FA346TT		MXS346	FA346R	MD6191D	MD6191C		MD6191CX♦		
28				FA346TT			FA346R	MD6191D	MD6191C				
29				FA346TT		MXS346	FA346R	MD6191D	MD6191C				
30				FA346TT		MXS346	FA346R	MD6191D	MD6191C		MD6191CX♦		
31				FA346TT		MXS346	FA346R	MD6191D	MD6191C				
32				FA346TT		MXS346	FA346R	MD6191D	MD6191C		MD6191CX♦		
33				FA346TT			FA346R						
34				FA351TT									
35				FA351TT									
36													
37													
38				Y516									
39													
40													
41													
42				H303									
43				Y535									
44				Y535									
45				Y535									
46													
47				FA086			FA086HH						
48				Y535									
49													
50													
51													
52													
53				FA018		FA018V	FA018HH						
54				FA018		FA018V	FA018HH						
55				FA266			FA266HH★						
56				FA266			FA266HH★						
57													
58													
59				FA208TT									
60							944G						

REAR / ARRIÈRE / HINTEN / POSTERIOR / POSTERIORE

R Suffix = High Durability Sintered Pad. **HH** Suffix = High Performance Sintered Pad. **TT** Suffix = Hard Wearing Off Road Pad. **V** Suffix = Semi Sintered Pad. **G** Suffix = Grooved Shoe.
D Suffix = Drilled Disc. **X** Suffix = Universal Left or Right Disc. **XC** Suffix = Contoured Disc. **LS** Suffix = Left/Steel Disc. **RS** = Right/Steel Disc.

BRAKE APPLICATIONS

*-2 Sets Required. † For Vee disc colours add RED, BLU, GRN, GLD, ORG suffix to part number.

⊙ - Also available as a Vintage Motorcycle Disc. ★ - EPFA available. ⚙ - Disc made of Billet steel. ♦ - CE solid discs for Enduro use.

Part numbers, prefixes, suffixes, photos and illustrations shown in this catalogue are trademarks and/or copyrights of EBC Brakes or the trademark owner A C Freeman Investments Ltd and use without express written permission of the owners is punishable by law.

Non-JAPANESE Built Motorcycles



HRD Also see SHERCO



DISC PAD CHOICES - FRONT

BRAKE DISC CHOICES - FRONT

R Suffix = High Durability Sintered Pad. **HH** Suffix = High Performance Sintered Pad. **TT** Suffix = Hard Wearing Off Road Pad. **V** Suffix = Semi Sintered Pad. **G** Suffix = Grooved Shoe.
D Suffix = Drilled Disc. **X** Suffix = Universal Left or Right Disc. **XC** Suffix = Contoured Disc. **LS** Suffix = Left/Steel Disc. **RS** = Right/Steel Disc.

FRONT / AVANT / VORN / FRENTE / ANTERIORE

		FA, SFA, TT Pad or Brake Shoe	SFAC Carbon Scooter Pads	Speciality Pads - SXR / Vee / MXS	Sintered/HH Pads/ Grooved Shoes	Standard Replacement Discs	Contour Disc Universal Left and Right	Vee-Discs Black † See note below	CX Extreme Disc / UTVX Disc	OSX Oversize 250mm or 280mm	Line #
RP 80 Cross	1983				944G						1
Cabriole Supermotard 125	2000	FA167			FA167HH						2
Cabriole Trail 125	2000	FA167			FA167HH						3
WH 125 Road/Red Horse	1985	FA047									4
Sonic 2 Supermotard 50	2002	FA167			FA167HH						5
Sonic 2 Trail 50	2002	FA167			FA167HH						6
HUSABERG											
All models	1989-1992	FA134			FA134R						7
TE 125	2012-2014	FA181TT		MXS181	FA181R	MD6032D			MD6032CX	OSX6932	9
All models	1993-1994	FA181TT		MXS181	FA181R	MD6125D				OSX6125	10
FE 250	2013-2014	FA181TT		MXS181	FA181R	MD6032D			MD6032CX	OSX6932	11
TE 250	2011-2014	FA181TT		MXS181	FA181R	MD6032D			MD6032CX	OSX6932	12
TE 300	2011-2014	FA181TT		MXS181	FA181R	MD6032D			MD6032CX	OSX6932	13
All models	1995-1999	FA181TT		MXS181	FA181R	MD6125D				OSX6125	14
FE 350	2013-2014	FA181TT		MXS181	FA181R	MD6032D			MD6032CX	OSX6932	15
FE 390	2010-2012	FA181TT		MXS181	FA181R	MD6032D			MD6032CX	OSX6932	16
All models	2000-2005	FA181TT		MXS181	FA181R	MD6032D			MD6032CX	OSX6032	17
FE 450	2009-2013	FA181TT		MXS181	FA181R	MD6032D			MD6032CX	OSX6932	18
FE 450 E	2006-2008	FA181TT		MXS181	FA181R	MD6032D			MD6032CX	OSX6032	19
FS 450 C	2006										20
FS 450 E	2006-2008										21
FX 450	2010-2011	FA181TT		MXS181	FA181R	MD6032D			MD6032CX	OSX6932	22
FE 501	2013-2014	FA181TT		MXS181	FA181R	MD6032D			MD6032CX	OSX6932	23
FE 550 E	2006-2008	FA181TT		MXS181	FA181R	MD6032D			MD6032CX	OSX6032	24
FS 550 E Supermoto Supermoto	2005-2007			MXS405		MD6270D	MD6270C				25
All Supermotard models	2000-2003	FA158			FA158HH★						26
FE 570	2009-2012	FA181TT		MXS181	FA181R	MD6032D			MD6032CX	OSX6932	27
FS 570 Supermoto	2010-2011	FA433/4			FA433/4HH★						28
Enforcer Four	2000-2003	FA181TT*		MXS181*	FA181R*	MD6141D					29
FE 650 E	2006-2008	FA181TT		MXS181	FA181R	MD6032D			MD6032CX	OSX6032	30
FS 650 C Supermoto	2006-2008			MXS405		MD6270D	MD6270C				31
FS 650 E Supermoto	2005-2008			MXS405		MD6270D	MD6270C				32
FS Supermotard Models	2004			MXS406		MD6270D	MD6270C				33
FS Supermotard Models	2005			MXS405		MD6270D	MD6270C				34
HUSQVARNA											
EE 3 EE 3 Electric	2022-2024	FA047TT									35
EE 5 EE 5 Electric	2021-2024	FA325TT			FA325R						36
CR 50	2011-2013	FA325TT			FA325R						37
CR 50 Junior	2005	FA351TT									38
CR 50 Senior Pro	2005	FA351TT									39
Husky Boy	1998-1999										40
Husky Boy J	2001-2002	FA115TT		MXS115	FA115R						41
Husky Boy R	2001	FA115TT		MXS115	FA115R						42
Husky Boy R	2000-2002	H301									43
Husky Boy Racing J	2000	H301									44
Husky Boy Racing S	2000	H301									45
Husky Boy S	2001-2002	FA115TT		MXS115	FA115R						46
SM 50	2002	FA167			FA167HH						47
SM 50	2011-2013	FA325TT			FA325R						48
TC 50 Inc Mini	2018-2023	FA325TT			FA325R						49
WR 50	2002	FA167			FA167HH						50
WRS 50 Scooter	1998-2000	SFA115	SFAC115		SFA115HH	MD964D					51
CR 65	2011-2013	FA357TT			FA357R						52
TC 65	2018-2022	FA357TT			FA357R						53
TC 65	2023	FA368TT		MXS368	FA368R	MD6243D			MD6243CX		54
TC 85	2014-2016	FA612TT			FA612R		MD6258C			OSX6258	55
TC 85 SW	2014-2020	FA612TT			FA612R		MD6407C				56
TC 85 BW	2017-2020	FA612TT			FA612R		MD6379C				57

*-2 Sets Required. † For Vee disc colours add RED, BLU, GRN, GLD, ORG suffix to part number.

⊗ - Also available as a Vintage Motorcycle Disc. ★ - EPFA available. ⚙ - Disc made of Billet steel. ♦ - CE solid discs for Enduro use.

Non-JAPANESE Built Motorcycles

BRAKE APPLICATIONS

Line #	BRAKE DISC CHOICES - FRONT			DISC PAD CHOICES - REAR				BRAKE DISC CHOICES - REAR					
	SMX Oversize 320mm Disc Kit Front Left	Front disc bolt kit	Front Brake Line	FA, SFA, TT Pad or Brake Shoe	SFAC Carbon Scooter Pads	Speciality Pads - SXR / Vee / MXS	Sintered HH/R Pads/ Grooved Shoes	Standard Replacement Disc	Contour Disc Rear Fitment	Vee Discs CONTOUR	CX Extreme MX Race Disc / UTVX Disc	Rear disc bolt kit	Rear Brake Line
1							944G						
2				FA115			FA115R						
3				FA115			FA115R						
4													
5				FA115			FA115R						
6				FA115			FA115R						
7													
8													
9				FA067TT			FA067R						
10	SMX6932	DB603/6		FA368TT		MXS368	FA368R	MD6035D			MD6035CX◆	DB603/6	
11	SMX6125			FA067TT			FA067R	MD6126D					
12	SMX6932	DB603/6		FA368TT		MXS368	FA368R	MD6035D			MD6035CX◆	DB603/6	
13	SMX6932	DB603/6		FA368TT		MXS368	FA368R	MD6035D			MD6035CX◆	DB603/6	
14	SMX6932	DB603/6		FA368TT		MXS368	FA368R	MD6035D			MD6035CX◆	DB603/6	
15	SMX6125			FA208TT		MXS208	FA208R	MD6126D					
16	SMX6932	DB603/6		FA368TT		MXS368	FA368R	MD6035D			MD6035CX◆	DB603/6	
17	SMX6932	DB603/6		FA368TT		MXS368	FA368R	MD6035D			MD6035CX◆	DB603/6	
18	SMX6032	DB603/6		FA208TT		MXS208	FA208R	MD6035D			MD6035CX◆	DB603/6	
19	SMX6932	DB603/6		FA368TT		MXS368	FA368R	MD6035D			MD6035CX◆	DB603/6	
20	SMX6032	DB603/6		FA208TT		MXS208	FA208R	MD6035D			MD6035CX◆	DB603/6	
21				FA208TT		MXS208	FA208R	MD6035D			MD6035CX◆	DB603/6	
22				FA208TT		MXS208	FA208R	MD6035D			MD6035CX◆	DB603/6	
23	SMX6932	DB603/6		FA368TT		MXS368	FA368R	MD6035D			MD6035CX◆	DB603/6	
24	SMX6932	DB603/6		FA368TT		MXS368	FA368R	MD6035D			MD6035CX◆	DB603/6	
25	SMX6032	DB603/6		FA208TT		MXS208	FA208R	MD6035D			MD6035CX◆	DB603/6	
26				FA208TT		MXS208	FA208R	MD6035D			MD6035CX◆	DB603/6	
27				FA208TT		MXS208	FA208R	MD6035D			MD6035CX◆	DB603/6	
28	SMX6932	DB603/6		FA368TT		MXS368	FA368R	MD6035D			MD6035CX◆	DB603/6	
29				FA368TT		MXS368	FA368R	MD6035D			MD6035CX◆	DB603/6	
30				FA181TT		MXS181	FA181R	MD6142D					
31	SMX6032	DB603/6		FA208TT		MXS208	FA208R	MD6035D			MD6035CX◆	DB603/6	
32				FA208TT		MXS208	FA208R	MD6035D			MD6035CX◆	DB603/6	
33				FA208TT		MXS208	FA208R	MD6035D			MD6035CX◆	DB603/6	
34				FA208TT		MXS208	FA208R	MD6035D			MD6035CX◆	DB603/6	
35				FA208TT		MXS208	FA208R	MD6035D			MD6035CX◆	DB603/6	
36													
37													
38				FA325TT			FA325R						
39				FA047TT									
40				FA325TT			FA325R						
41													
42				FA325TT									
43													
44				984									
45				984									
46				H301									
47				H301									
48				H301									
49				984									
50				FA115TT		MXS115	FA115R						
51				FA325TT			FA325R						
52				FA325TT			FA325R						
53				FA115TT		MXS115	FA115R						
54				S624									
55				FA602TT			FA602R						
56				FA357TT			FA357R						
57				FA368TT		MXS368	FA368R						
58				FA602TT			FA602R			MD6360C			
59				FA602TT			FA602R			MD6360C			
60				FA602TT			FA602R			MD6360C			

REAR / ARRIÈRE / HINTEN / POSTERIOR / POSTERIORE

*-2 Sets Required. † For Vee disc colours add RED, BLU, GRN, GLD, ORG suffix to part number.

⊙ - Also available as a Vintage Motorcycle Disc. ★ - EPFA available. Ⓢ - Disc made of Billet steel. ◆ - CE solid discs for Enduro use.

Part numbers, prefixes, suffixes, photos and illustrations shown in this catalogue are trademarks and/or copyrights of EBC Brakes or the trademark owner A C Freeman Investments Ltd and use without express written permission of the owners is punishable by law.

R Suffix = High Durability Sintered Pad. HH Suffix = High Performance Sintered Pad. TT Suffix = Hard Wearing Off Road Pad. V Suffix = Semi Sintered Pad. G Suffix = Grooved Shoe. D Suffix = Drilled Disc. X Suffix = Universal Left or Right Disc. XC Suffix = Contoured Disc. LS Suffix = Left/Steel Disc. RS = Right/Steel Disc.

Non-JAPANESE Built Motorcycles



HUSQVARNA Contd.



DISC PAD CHOICES - FRONT

BRAKE DISC CHOICES - FRONT

R Suffix = High Durability Sintered Pad. **HH** Suffix = High Performance Sintered Pad. **TT** Suffix = Hard Wearing Off Road Pad. **V** Suffix = Semi Sintered Pad. **G** Suffix = Grooved Shoe.
D Suffix = Drilled Disc. **X** Suffix = Universal Left or Right Disc. **XC** Suffix = Contoured Disc. **LS** Suffix = Left/Steel Disc. **RS** = Right/Steel Disc.

FRONT / AVANT / VORN / FRENTE / ANTERIORE

		FA, SFA, TT Pad or Brake Shoe	SFAC Carbon Scooter Pads	Speciality Pads - SXR / Vee / MXS	Sintered/HH Pads/ Grooved Shoes	Standard Replacement Discs	Contour Disc Universal Left and Right	Vee-Discs Black † See note below	CX Extreme Disc / UTVX Disc	OSX Oversize 250mm or 280mm	Line #
TC 85 SW	2021-2024	FA181TT		MXS181	FA181R		MD6379C		MD6379CX		1
TC 85 BW	2021-2024	FA181TT		MXS181	FA181R		MD6379C		MD6379CX		2
TE 100	2005	FA351TT									3
CR 125	1982-1984				803G						4
CR 125	1979-1981				801G						5
CR 125	1973-1977				801G						6
CR 125	1978				801G						7
CR 125	1985-1986	FA047TT									8
CR 125	1991	FA134			FA134R						9
CR 125	1992-1994	FA135TT		MXS135	FA135R	MD6125D					10
CR 125	1995-1999	FA181TT		MXS181	FA181R	MD6125D				OSX6125	11
CR 125	2000-2001	FA181TT		MXS181	FA181R	MD6184D	MD6184C			OSX6184	12
CR 125	2000-2001	FA181TT		MXS181	FA181R	MD6184D	MD6184C			OSX6184K	13
CR 125	2002-2004	FA181TT		MXS181	FA181R	MD6184D	MD6184C			OSX6184	14
CR 125	2002-2004	FA181TT		MXS181	FA181R	MD6184D	MD6184C			OSX6184K	15
CR 125	2005	FA181TT		MXS181	FA181R	MD6184D	MD6184C			OSX6184	16
CR 125	2005	FA181TT		MXS181	FA181R	MD6184D	MD6184C			OSX6184K	17
CR 125	2006-2008	FA181TT		MXS181	FA181R	MD6184D	MD6184C			OSX6184	18
CR 125	2006-2008	FA181TT		MXS181	FA181R	MD6184D	MD6184C			OSX6184K	19
CR 125	2009-2013	FA181TT		MXS181	FA181R	MD6184D	MD6184C			OSX6184	20
CR 125	2009-2013	FA181TT		MXS181	FA181R	MD6184D	MD6184C			OSX6184K	21
SC 125	1973-1974				801G						22
SM 125	1998-1999	FA181TT		MXS181	FA181R	MD6125D				OSX6125	23
SM 125	2000	FA181TT		MXS181	FA181R	MD6184D	MD6184C			OSX6184	24
SM 125	2000	FA181TT		MXS181	FA181R	MD6184D	MD6184C			OSX6184K	25
SM 125 S	2002-2013	FA181TT		MXS181	FA181R	MD6184D	MD6184C			OSX6184	26
SM 125 S	2002-2013	FA181TT		MXS181	FA181R	MD6184D	MD6184C			OSX6184K	27
SMS4 125	2011	FA181TT		MXS181	FA181R	MD6184D	MD6184C			OSX6184	28
SMS4 125	2011	FA181TT		MXS181	FA181R	MD6184D	MD6184C			OSX6184K	29
Svartpilen 125	2021-2024	FA606			FA606HH	MD8010					30
TC 125	2014-2024	FA181TT		MXS181	FA181R	MD6032D			MD6032CX	OSX6932	31
TE 125	2011-2013	FA181TT		MXS181	FA181R	MD6184D	MD6184C			OSX6184	32
TE 125	2011-2013	FA181TT		MXS181	FA181R	MD6184D	MD6184C			OSX6184K	33
TE 125	2014-2019	FA181TT		MXS181	FA181R	MD6032D			MD6032CX	OSX6932	34
TX 125	2018-2019	FA181TT		MXS181	FA181R						35
Vitpilen 125	2024	FA606			FA606HH						36
WR 125 R	1979				801G						37
WR 125 R	1980-1981				802G						38
WR 125 R	1973-1974				801G						39
WR 125 R	1982-1984				803G						40
WR 125 R	1987-1988	FA134			FA134R						41
WR 125 R	1991	FA134			FA134R						42
WR 125 R	1993-1994	FA135TT		MXS135	FA135R	MD6125D					43
WR 125 R	1995-1999	FA181TT		MXS181	FA181R	MD6125D				OSX6125	44
WR 125 R	2000-2001	FA181TT		MXS181	FA181R	MD6184D	MD6184C			OSX6184	45
WR 125 R	2000-2001	FA181TT		MXS181	FA181R	MD6184D	MD6184C			OSX6184K	46
WR 125 R	2002-2005	FA181TT		MXS181	FA181R	MD6184D	MD6184C			OSX6184	47
WR 125 R	2002-2005	FA181TT		MXS181	FA181R	MD6184D	MD6184C			OSX6184K	48
WR 125 R	2006-2008	FA181TT		MXS181	FA181R	MD6184D	MD6184C			OSX6184	49
WR 125 R	2006-2008	FA181TT		MXS181	FA181R	MD6184D	MD6184C			OSX6184K	50
WR 125 R	2009-2013	FA181TT		MXS181	FA181R	MD6184D	MD6184C			OSX6184	51
WR 125 R	2009-2013	FA181TT		MXS181	FA181R	MD6184D	MD6184C			OSX6184K	52
WRE 125 R	1993-1999	FA181TT		MXS181	FA181R	MD6125D				OSX6125	53
WRE 125 R	2000	FA181TT		MXS181	FA181R	MD6184D	MD6184C			OSX6184	54
WRE 125 R	2000	FA181TT		MXS181	FA181R	MD6184D	MD6184C			OSX6184K	55
WRE 125 R	2002-2013	FA181TT		MXS181	FA181R	MD6184D	MD6184C			OSX6184	56
WRE 125 R	2002-2013	FA181TT		MXS181	FA181R	MD6184D	MD6184C			OSX6184K	57
WRE 125 R	2007	FA167			FA167HH	MD6184D	MD6184C			OSX6184	58
WRE 125 R	2007	FA167			FA167HH	MD6184D	MD6184C			OSX6184K	59
XC 125	1982-1984				803G						60

*-2 Sets Required. † For Vee disc colours add RED, BLU, GRN, GLD, ORG suffix to part number.

⊗ - Also available as a Vintage Motorcycle Disc. ★ - EPFA available. ⚙ Disc made of Billet steel. ♦ CE solid discs for Enduro use.

Non-JAPANESE Built Motorcycles

Line #	BRAKE DISC CHOICES - FRONT			DISC PAD CHOICES - REAR				BRAKE DISC CHOICES - REAR					
	SMX Oversize 320mm Disc Kit Front Left	Front disc bolt kit	Front Brake Line	FA, SFA, TT Pad or Brake Shoe	SFAC Carbon Scooter Pads	Speciality Pads - SXR / Vee / MXS	Sintered HH/R Pads/ Grooved Shoes	Standard Replacement Disc	Contour Disc Rear Fitment	Vee Discs CONTOUR	CX Extreme MX Race Disc / UTVX Disc	Rear disc bolt kit	Rear Brake Line
1				FA368TT		MXS368	FA368R		MD6407C		MD6407CX		
2				FA368TT		MXS368	FA368R		MD6407C		MD6407CX		
3													
4							801G						
5							801G						
6							801G						
7							801G						
8							802G						
9				FA251				MD6126D					
10				FA084TT			FA084R	MD6126D					
11	SMX6125			FA208TT		MXS208	FA208R	MD6126D					
12	SMX6184H			FA208TT		MXS208	FA208R	MD6287D					
13	SMX6184K			FA208TT		MXS208	FA208R	MD6287D					
14	SMX6184H			FA208TT		MXS208	FA208R	MD6295D					
15	SMX6184K			FA208TT		MXS208	FA208R	MD6295D					
16	SMX6184H			FA368TT		MXS368	FA368R	MD6295D					
17	SMX6184K			FA368TT		MXS368	FA368R	MD6295D					
18	SMX6184H			FA368TT		MXS368	FA368R	MD6288D					
19	SMX6184K			FA368TT		MXS368	FA368R	MD6288D					
20	SMX6184H			FA368TT		MXS368	FA368R						
21	SMX6184K			FA368TT		MXS368	FA368R						
22							801G						
23	SMX6125			FA208TT		MXS208	FA208R	MD6126D					
24	SMX6184H			FA208TT		MXS208	FA208R	MD6287D					
25	SMX6184K			FA208TT		MXS208	FA208R	MD6287D					
26	SMX6184H			FA208TT		MXS208	FA208R	MD6287D					
27	SMX6184K			FA208TT		MXS208	FA208R	MD6287D					
28	SMX6184H			FA208TT		MXS208	FA208R	MD6287D					
29	SMX6184K			FA208TT		MXS208	FA208R	MD6287D					
30				FA208TT			FA208R	MD850					
31	SMX6932	DB603/6		FA368TT		MXS368	FA368R	MD6035D			MD6035CX♦	DB603/6	
32	SMX6184H			FA208TT		MXS208	FA208R	MD6287D					
33	SMX6184K			FA208TT		MXS208	FA208R	MD6287D					
34	SMX6932	DB603/6		FA368TT		MXS368	FA368R	MD6035D			MD6035CX♦	DB603/6	
35				FA368TT		MXS368	FA368R						
36				FA208TT			FA208R	MD850					
37							801G						
38							802G						
39							801G						
40							802G						
41							802G						
42				FA251				MD6126D					
43				FA084TT		MXS084	FA084R	MD6126D					
44	SMX6125			FA208TT		MXS208	FA208R	MD6126D					
45	SMX6184H			FA208TT		MXS208	FA208R	MD6287D					
46	SMX6184K			FA208TT		MXS208	FA208R	MD6287D					
47	SMX6184H			FA208TT		MXS208	FA208R	MD6295D					
48	SMX6184K			FA208TT		MXS208	FA208R	MD6295D					
49	SMX6184H			FA368TT		MXS368	FA368R	MD6288D					
50	SMX6184K			FA368TT		MXS368	FA368R	MD6288D					
51	SMX6184H			FA368TT		MXS368	FA368R						
52	SMX6184K			FA368TT		MXS368	FA368R						
53	SMX6125			FA208TT		MXS208	FA208R	MD6126D					
54	SMX6184H			FA208TT		MXS208	FA208R	MD6287D					
55	SMX6184K			FA208TT		MXS208	FA208R	MD6287D					
56	SMX6184H			FA208TT		MXS208	FA208R	MD6287D					
57	SMX6184K			FA208TT		MXS208	FA208R	MD6287D					
58	SMX6184H			FA131TT		MXS131	FA131R						
59	SMX6184K			FA131TT		MXS131	FA131R						
60							802G						

REAR / ARRIÈRE / HINTEN / POSTERIOR / POSTERIORE

R Suffix = High Durability Sintered Pad. HH Suffix = High Performance Sintered Pad. TT Suffix = Hard Wearing Off Road Pad. V Suffix = Semi Sintered Pad. G Suffix = Grooved Shoe.
D Suffix = Drilled Disc. X Suffix = Universal Left or Right Disc. XC Suffix = Contoured Disc. LS Suffix = Left/Steel Disc. RS = Right/Steel Disc.

BRAKE APPLICATIONS

*-2 Sets Required. † For Vee disc colours add RED, BLU, GRN, GLD, ORG suffix to part number.

⊙ - Also available as a Vintage Motorcycle Disc. ★ - EPFA available. Ⓢ Disc made of Billet steel. ♦ CE solid discs for Enduro use.

Part numbers, prefixes, suffixes, photos and illustrations shown in this catalogue are trademarks and/or copyrights of EBC Brakes or the trademark owner A C Freeman Investments Ltd and use without express written permission of the owners is punishable by law.

Non-JAPANESE Built Motorcycles



HUSQVARNA Contd.



DISC PAD CHOICES - FRONT

BRAKE DISC CHOICES - FRONT

R Suffix = High Durability Sintered Pad. **HH** Suffix = High Performance Sintered Pad. **TT** Suffix = Hard Wearing Off Road Pad. **V** Suffix = Semi Sintered Pad. **G** Suffix = Grooved Shoe.
D Suffix = Drilled Disc. **X** Suffix = Universal Left or Right Disc. **XC** Suffix = Contoured Disc. **LS** Suffix = Left/Steel Disc. **RS** = Right/Steel Disc.

FRONT / AVANT / VORN / FRENTE / ANTERIORE

		FA, SFA, TT Pad or Brake Shoe	SFAC Carbon Scooter Pads	Speciality Pads - SXR / Vee / MXS	Sintered/HH Pads/ Grooved Shoes	Standard Replacement Discs	Contour Disc Universal Left and Right	Vee-Discs Black † See note below	CX Extreme Disc / UTVX Disc	OSX Oversize 250mm or 280mm	Line #
XC 125	1985-1986	FA047TT									1
TE 150 TPI	2018-2024	FA181TT			FA181R	MD6032D			MD6032CX	OSX6932	2
CR 240	1980-1981				802G						3
CR 240	1982-1984				803G						4
CR 240	1985-1986	FA047TT									5
CR 240	1987-1988	FA134			FA134R						6
WR 240	1980-1981				802G						7
WR 240	1982-1984				803G						8
WR 240	1987-1988	FA134			FA134R						9
WR 240	1978				801G						10
WR 240	1990-1991	FA134			FA134R						11
CR 250	1982-1984				803G						12
CR 250	1985-1986	FA047TT									13
CR 250	1971-1974										14
CR 250	1975-1979				801G						15
CR 250	1980-1981				802G						16
CR 250	1987-1988	FA134			FA134R						17
CR 250	1991	FA134			FA134R						18
CR 250	1992-1994	FA135TT		MXS135	FA135R	MD6125D					19
CR 250	1995-1999	FA181TT		MXS181	FA181R	MD6125D				OSX6125	20
CR 250	2000-2001	FA181TT		MXS181	FA181R	MD6184D	MD6184C			OSX6184	21
CR 250	2000-2001	FA181TT		MXS181	FA181R	MD6184D	MD6184C			OSX6184K	22
CR 250	2002-2004	FA181TT		MXS181	FA181R	MD6184D	MD6184C			OSX6184	23
CR 250	2002-2004	FA181TT		MXS181	FA181R	MD6184D	MD6184C			OSX6184K	24
CR 250	2005-2007	FA181TT		MXS181	FA181R	MD6184D	MD6184C			OSX6184	25
CR 250	2005-2007	FA181TT		MXS181	FA181R	MD6184D	MD6184C			OSX6184K	26
FC 250 T	2014-2024	FA181TT		MXS181	FA181R	MD6032D			MD6032CX	OSX6932	27
FE 250 T	2014-2024	FA181TT		MXS181	FA181R	MD6032D			MD6032CX	OSX6932	28
TC 250	2002-2003	FA181TT		MXS181	FA181R	MD6184D	MD6184C			OSX6184	29
TC 250	2002-2003	FA181TT		MXS181	FA181R	MD6184D	MD6184C			OSX6184K	30
TC 250	2005-2008	FA181TT		MXS181	FA181R	MD6184D	MD6184C			OSX6184	31
TC 250	2005-2008	FA181TT		MXS181	FA181R	MD6184D	MD6184C			OSX6184K	32
TC 250	2009-2013	FA181TT		MXS181	FA181R	MD6184D	MD6184C			OSX6932	33
TC 250	2014-2024	FA181TT		MXS181	FA181R	MD6032D			MD6032CX	OSX6932	34
TE 250 - 45mm Forks	2002-2005	FA181TT		MXS181	FA181R	MD6184D	MD6184C			OSX6184	35
TE 250 - 48mm Forks	2002-2005	FA181TT		MXS181	FA181R	MD6184D	MD6184C			OSX6184K	36
TE 250 - 45mm Forks	2006-2008	FA181TT		MXS181	FA181R	MD6184D	MD6184C			OSX6184	37
TE 250 - 48mm Forks	2006-2008	FA181TT		MXS181	FA181R	MD6184D	MD6184C			OSX6184K	38
TE 250	2009-2010	FA181TT		MXS181	FA181R	MD6184D	MD6184C			OSX6932	39
TE 250	2011-2013	FA181TT		MXS181	FA181R	MD6184D	MD6184C			OSX6932	40
TE 250	2013	FA181TT		MXS181	FA181R	MD6184D	MD6184C			OSX6932	41
TE 250	2014-2018	FA181TT		MXS181	FA181R	MD6032D			MD6032CX	OSX6932	42
TE 250 Meo Replica	2011	FA181TT		MXS181	FA181R	MD6184D	MD6184C			OSX6932	43
TE 250 TPI	2019-2024	FA181TT		MXS181	FA181R	MD6032D			MD6032CX	OSX6932	44
WR 250	1971-1974				801G						45
WR 250	1975-1978				801G						46
WR 250	1980-1981				802G						47
WR 250	1982-1984				803G						48
WR 250	1987-1988	FA134			FA134R						49
WR 250	1990-1991	FA134			FA134R						50
WR 250	1992-1994	FA135TT		MXS135	FA135R	MD6125D					51
WR 250	1995-1999	FA181TT		MXS181	FA181R	MD6125D				OSX6125	52
WR 250	2000-2001	FA181TT		MXS181	FA181R	MD6184D	MD6184C			OSX6184	53
WR 250	2000-2001	FA181TT		MXS181	FA181R	MD6184D	MD6184C			OSX6184K	54
WR 250	2002-2005	FA181TT		MXS181	FA181R	MD6184D	MD6184C			OSX6184	55
WR 250	2002-2005	FA181TT		MXS181	FA181R	MD6184D	MD6184C			OSX6184K	56
WR 250	2006-2008	FA181TT		MXS181	FA181R	MD6184D	MD6184C			OSX6184	57
WR 250	2006-2008	FA181TT		MXS181	FA181R	MD6184D	MD6184C			OSX6184K	58
WR 250	2009-2013	FA181TT		MXS181	FA181R	MD6184D	MD6184C			OSX6184	59
WR 250	2009-2013	FA181TT		MXS181	FA181R	MD6184D	MD6184C			OSX6184K	60

*-2 Sets Required. † For Vee disc colours add RED, BLU, GRN, GLD, ORG suffix to part number.

⊗ - Also available as a Vintage Motorcycle Disc. ★ - EPFA available. ⚙ - Disc made of Billet steel. ♦ - CE solid discs for Enduro use.

Non-JAPANESE Built Motorcycles

Line #	BRAKE DISC CHOICES - FRONT			DISC PAD CHOICES - REAR				BRAKE DISC CHOICES - REAR					
	SMX Oversize 320mm Disc Kit Front Left	Front disc bolt kit	Front Brake Line	FA, SFA, TT Pad or Brake Shoe	SFAC Carbon Scooter Pads	Speciality Pads - SXR / Vee / MXS	Sintered HH/R Pads/ Grooved Shoes	Standard Replacement Disc	Contour Disc Rear Fitment	Vee Discs CONTOUR	CX Extreme MX Race Disc / UTVX Disc	Rear disc bolt kit	Rear Brake Line
1							801G						
2	SMX6932	DB603/6		FA368TT		MXS368	FA368R	MD6035D			MD6035CX♦	DB603/6	
3							801G						
4							801G						
5							802G						
6							802G						
7							802G						
8							802G						
9							802G						
10							801G						
11				FA251				MD6126D					
12							801G						
13							802G						
14							801G						
15							801G						
16							801G						
17							802G						
18				FA251				MD6126D					
19				FA084TT			FA084R	MD6126D					
20	SMX6125			FA208TT		MXS208	FA208R	MD6126D					
21	SMX6184H			FA208TT		MXS208	FA208R	MD6287D					
22	SMX6184K			FA208TT		MXS208	FA208R	MD6287D					
23	SMX6184H			FA208TT		MXS208	FA208R	MD6295D					
24	SMX6184K			FA208TT		MXS208	FA208R	MD6295D					
25	SMX6184H			FA368TT		MXS368	FA368R	MD6295D					
26	SMX6184K			FA368TT		MXS368	FA368R	MD6295D					
27	SMX6932	DB603/6		FA368TT		MXS368	FA368R	MD6035D			MD6035CX♦	DB603/6	
28	SMX6932	DB603/6		FA368TT		MXS368	FA368R	MD6035D			MD6035CX♦	DB603/6	
29	SMX6184H			FA208TT		MXS208	FA208R	MD6295D					
30	SMX6184K			FA208TT		MXS208	FA208R	MD6295D					
31	SMX6184H			FA368TT		MXS368	FA368R	MD6288D					
32	SMX6184K			FA368TT		MXS368	FA368R	MD6288D					
33	SMX6184K9			FA368TT		MXS368	FA368R						
34	SMX6932	DB603/6		FA368TT		MXS368	FA368R	MD6035D			MD6035CX♦	DB603/6	
35	SMX6184H			FA208TT		MXS208	FA208R	MD6295D					
36	SMX6184K			FA208TT		MXS208	FA208R	MD6295D					
37	SMX6184H			FA368TT		MXS368	FA368R	MD6288D					
38	SMX6184K			FA368TT		MXS368	FA368R	MD6288D					
39	SMX6184K9			FA368TT		MXS368	FA368R		MD6288C				
40	SMX6184K9			FA368TT		MXS368	FA368R		MD6377C				
41	SMX6184K9			FA368TT		MXS368	FA368R		MD6377C				
42	SMX6932	DB603/6		FA368TT		MXS368	FA368R	MD6035D			MD6035CX♦	DB603/6	
43	SMX6184K9			FA368TT		MXS368	FA368R		MD6377C				
44	SMX6932	DB603/6		FA368TT		MXS368	FA368R	MD6035D			MD6035CX♦	DB603/6	
45							801G						
46							801G						
47							802G						
48							802G						
49							802G						
50				FA251				MD6126D					
51				FA084TT		MXS084	FA084R	MD6126D					
52	SMX6125			FA208TT		MXS208	FA208R	MD6126D					
53	SMX6184H			FA208TT		MXS208	FA208R	MD6287D					
54	SMX6184K			FA208TT		MXS208	FA208R	MD6287D					
55	SMX6184H			FA208TT		MXS208	FA208R	MD6295D					
56	SMX6184K			FA208TT		MXS208	FA208R	MD6295D					
57	SMX6184H			FA208TT		MXS208	FA208R	MD6295D					
58	SMX6184K			FA208TT		MXS208	FA208R	MD6295D					
59	SMX6184H			FA208TT		MXS208	FA208R	MD6295D					
60	SMX6184K			FA208TT		MXS208	FA208R	MD6295D					

REAR / ARRIERE / HINTEN / POSTERIOR / POSTERIORE

R Suffix = High Durability Sintered Pad. HH Suffix = High Performance Sintered Pad. TT Suffix = Hard Wearing Off Road Pad. V Suffix = Semi Sintered Pad. G Suffix = Grooved Shoe.
D Suffix = Drilled Disc. X Suffix = Universal Left or Right Disc. XC Suffix = Contoured Disc. LS Suffix = Left/Steel Disc. RS = Right/Steel Disc.

BRAKE APPLICATIONS

*-2 Sets Required. † For Vee disc colours add RED, BLU, GRN, GLD, ORG suffix to part number.

⊙ - Also available as a Vintage Motorcycle Disc. ★ - EPFA available. ⚙ - Disc made of Billet steel. ♦ - CE solid discs for Enduro use.

Non-JAPANESE Built Motorcycles



HUSQVARNA Contd.



DISC PAD CHOICES - FRONT

BRAKE DISC CHOICES - FRONT

R Suffix = High Durability Sintered Pad. **HH** Suffix = High Performance Sintered Pad. **TT** Suffix = Hard Wearing Off Road Pad. **V** Suffix = Semi Sintered Pad. **G** Suffix = Grooved Shoe.
D Suffix = Drilled Disc. **X** Suffix = Universal Left or Right Disc. **XC** Suffix = Contoured Disc. **LS** Suffix = Left/Steel Disc. **RS** = Right/Steel Disc.

FRONT / AVANT / VORN / FRENTE / ANTERIORE

		FA, SFA, TT Pad or Brake Shoe	SFAC Carbon Scooter Pads	Speciality Pads - SXR / Vee / MXS	Sintered/HH Pads/ Grooved Shoes	Standard Replacement Discs	Contour Disc Universal Left and Right	Vee-Discs Black † See note below	CX Extreme Disc / UTVX Disc	OSX Oversize 250mm or 280mm	Line #
XC 250	1980-1981				802G						1
XC 250	1982-1984				803G						2
XC 250	1985-1986	FA047TT									3
XC 250	1987-1988	FA134			FA134R						4
WR 260	1990-1991	FA134			FA134R						5
TE 300	2014-2020	FA181TT		MXS181	FA181R	MD6032D			MD6032CX	OSX6932	6
TE 300 Tpi	2019-2024	FA181TT		MXS181	FA181R	MD6032D			MD6032CX	OSX6932	7
TE 300 Tpi Jarvis Edition	2019-2021	FA181TT		MXS181	FA181R	MD6032D			MD6032CX	OSX6932	8
TE 300 Tpi RockStar Edition	2022	FA181TT		MXS181	FA181R				MD6433CX		9
TX 300 Tpi	2018-2021	FA181TT		MXS181	FA181R	MD6032D			MD6032CX	OSX6032	10
WR 300	2009-2013	FA181TT		MXS181	FA181R	MD6184D	MD6184C			OSX6184	11
WR 300	2009-2013	FA181TT		MXS181	FA181R	MD6184D	MD6184C			OSX6184K	12
TE 310	2010	FA181TT		MXS181	FA181R	MD6184D	MD6184C			OSX6932	13
TE 310	2011-2013	FA181TT		MXS181	FA181R	MD6184D	MD6184C			OSX6932	14
TE 310	2013	FA181TT		MXS181	FA181R	MD6184D	MD6184C			OSX6932	15
FC 350 FC 350	2014-2024	FA181TT		MXS181	FA181R	MD6032D			MD6032CX	OSX6932	16
FE 350	2022	FA181TT		MXS181	FA181R				MD6433CX		17
FE 350	2014-2024	FA181TT		MXS181	FA181R	MD6032D			MD6032CX	OSX6932	18
FX 350	2014-2021	FA181TT		MXS181	FA181R	MD6032D			MD6032CX	OSX6032	19
TE 350	1990-1991	FA134			FA134R						20
TE 350	1992-1994	FA135TT		MXS135	FA135R	MD6125D					21
TE 350	1995-1997	FA181TT		MXS181	FA181R	MD6125D				OSX6125	22
360 Automatic	1975-1977				801G						23
CR 360	1975-1978				801G						24
CR 360	1992-1994	FA135TT		MXS135	FA135R	MD6125D					25
WR 360	1975-1978				801G						26
WR 360	1992-1994	FA135TT		MXS135	FA135R	MD6125D					27
WR 360	1995-1999	FA181TT		MXS181	FA181R	MD6125D				OSX6125	28
WR 360	2000-2001	FA181TT		MXS181	FA181R	MD6184D	MD6184C			OSX6184	29
WR 360	2000-2001	FA181TT		MXS181	FA181R	MD6184D	MD6184C			OSX6184K	30
WR 360	2002	FA181TT		MXS181	FA181R	MD6184D	MD6184C			OSX6184	31
WR 360	2002	FA181TT		MXS181	FA181R	MD6184D	MD6184C			OSX6184K	32
ACC 390	1980-1981				801G						33
ACCE 390	1980-1981				801G						34
CR 390	1975-1979				801G						35
CR 390	1978				801G						36
CR 390	1980-1981				801G						37
WR 390	1978				801G						38
CR 400	1971-1974				801G						39
SM 400 R	2002	FA095			FA095HH★	MD6293D					40
TE 400	2002	FA181TT		MXS181	FA181R	MD6184D	MD6184C			OSX6184	41
TE 400	2002	FA181TT		MXS181	FA181R	MD6184D	MD6184C			OSX6184K	42
WR 400	1975-1978				801G						43
WR 400	1987-1988	FA134			FA134R						44
Svartpilen 401	2018-2024	FA606			FA606HH★	MD8010					45
Vitpilen 401	2018-2024	FA606			FA606HH★	MD8010					46
TE 410	1995-1999	FA181TT		MXS181	FA181R	MD6125D				OSX6125	47
TE 410	2000	FA181TT		MXS181	FA181R	MD6184D	MD6184C			OSX6184	48
TE 410	2000	FA181TT		MXS181	FA181R	MD6184D	MD6184C			OSX6184K	49
TE 410	2006	FA181TT		MXS181	FA181R	MD6184D	MD6184C			OSX6184	50
TE 410	2006	FA181TT		MXS181	FA181R	MD6184D	MD6184C			OSX6184K	51
TE 410 E	2000	FA181TT		MXS181	FA181R	MD6184D	MD6184C			OSX6184	52
TE 410 E	2000	FA181TT		MXS181	FA181R	MD6184D	MD6184C			OSX6184K	53
430 Automatic	1987-1988	FA134			FA134R						54
CR 430	1980-1981				802G						55
CR 430	1987-1988	FA134			FA134R						56
WR 430	1980-1981				802G						57
WR 430	1987-1988	FA134			FA134R						58
WR-E 430	1980-1981				802G						59
WR-E 430	1982-1984				803G						60

*-2 Sets Required. † For Vee disc colours add RED, BLU, GRN, GLD, ORG suffix to part number.

⊗ - Also available as a Vintage Motorcycle Disc. ★ - EPFA available. ⚙ - Disc made of Billet steel. ♦ - CE solid discs for Enduro use.

250 Part numbers, prefixes, suffixes, photos and illustrations shown in this catalogue are trademarks and/or copyrights of EBC Brakes or the trademark owner A C Freeman Investments Ltd and use without express written permission of the owners is punishable by law.

Non-JAPANESE Built Motorcycles

Line #	BRAKE DISC CHOICES - FRONT			DISC PAD CHOICES - REAR				BRAKE DISC CHOICES - REAR					
	SMX Oversize 320mm Disc Kit Front Left	Front disc bolt kit	Front Brake Line	FA, SFA, TT Pad or Brake Shoe	SFAC Carbon Scooter Pads	Speciality Pads - SXR / Vee / MXS	Sintered HH/R Pads/ Grooved Shoes	Standard Replacement Disc	Contour Disc Rear Fitment	Vee Discs CONTOUR	CX Extreme MX Race Disc / UTVX Disc	Rear disc bolt kit	Rear Brake Line
1							802G						
2							802G						
3							801G						
4							802G						
5				FA251				MD6126D					
6	SMX6932	DB603/6		FA368TT		MXS368	FA368R	MD6035D			MD6035CX♦	DB603/6	
7	SMX6932	DB603/6		FA368TT		MXS368	FA368R	MD6035D			MD6035CX♦	DB603/6	
8	SMX6932	DB603/6		FA368TT		MXS368	FA368R	MD6035D			MD6035CX♦	DB603/6	
9	SMX6932			FA368TT		MXS368	FA368R	MD6035D			MD6035CX♦	DB603/6	
10	SMX6032	DB603/6		FA368TT		MXS368	FA368R	MD6035D			MD6035CX♦	DB603/6	
11	SMX6184H			FA208TT		MXS208	FA208R	MD6295D					
12	SMX6184K			FA208TT		MXS208	FA208R	MD6295D					
13	SMX6184K9			FA368TT		MXS368	FA368R		MD6288C				
14	SMX6184K9			FA368TT		MXS368	FA368R		MD6377C				
15	SMX6184K9			FA368TT		MXS368	FA368R		MD6377C				
16	SMX6932	DB603/6		FA368TT		MXS368	FA368R	MD6035D			MD6035CX♦	DB603/6	
17	SMX6932			FA368TT		MXS368	FA368R	MD6035D			MD6035CX♦	DB603/6	
18	SMX6932	DB603/6		FA368TT		MXS368	FA368R	MD6035D			MD6035CX♦	DB603/6	
19	SMX6032	DB603/6		FA368TT		MXS368	FA368R	MD6035D			MD6035CX♦	DB603/6	
20				FA251				MD6126D					
21				FA084TT		MXS084	FA084R	MD6126D					
22	SMX6125			FA208TT		MXS208	FA208R	MD6126D					
23							801G						
24							801G						
25				FA084TT		MXS084	FA084R	MD6126D					
26							801G						
27				FA084TT		MXS084	FA084R	MD6126D					
28	SMX6125			FA208TT		MXS208	FA208R	MD6126D					
29	SMX6184H			FA208TT		MXS208	FA208R	MD6287D					
30	SMX6184K			FA208TT		MXS208	FA208R	MD6287D					
31	SMX6184H			FA208TT		MXS208	FA208R	MD6295D					
32	SMX6184K			FA208TT		MXS208	FA208R	MD6295D					
33							801G						
34							801G						
35							801G						
36							801G						
37							801G						
38							801G						
39							801G						
40				FA208TT		MXS208	FA208R	MD6295D					
41	SMX6184H			FA208TT		MXS208	FA208R	MD6295D					
42	SMX6184K			FA208TT		MXS208	FA208R	MD6295D					
43							801G						
44							802G						
45				FA208TT			FA208R	MD850					
46				FA208TT			FA208R	MD850					
47	SMX6125			FA208TT		MXS208	FA208R	MD6126D					
48	SMX6184H			FA208TT		MXS208	FA208R	MD6287D					
49	SMX6184K			FA208TT		MXS208	FA208R	MD6287D					
50	SMX6184H			FA368TT		MXS368	FA368R	MD6288D					
51	SMX6184K			FA368TT		MXS368	FA368R	MD6288D					
52	SMX6184H			FA208TT		MXS208	FA208R	MD6126D					
53	SMX6184K			FA208TT		MXS208	FA208R	MD6126D					
54							802G						
55							801G						
56							802G						
57							802G						
58							802G						
59							802G						
60							802G						

REAR / ARRIÈRE / HINTEN / POSTERIORE

R Suffix = High Durability Sintered Pad. **HH** Suffix = High Performance Sintered Pad. **TT** Suffix = Hard Wearing Off Road Pad. **V** Suffix = Semi Sintered Pad. **G** Suffix = Grooved Shoe.
D Suffix = Drilled Disc. **X** Suffix = Universal Left or Right Disc. **XC** Suffix = Contoured Disc. **LS** Suffix = Left/Steel Disc. **RS** = Right/Steel Disc.

BRAKE APPLICATIONS

*-2 Sets Required. † For Vee disc colours add RED, BLU, GRN, GLD, ORG suffix to part number.
 Ⓢ - Also available as a Vintage Motorcycle Disc. ★ - EPFA available. Ⓢ - Disc made of Billet steel. ♦ CE solid discs for Enduro use.

Non-JAPANESE Built Motorcycles



HUSQVARNA Contd.



DISC PAD CHOICES - FRONT

BRAKE DISC CHOICES - FRONT

R Suffix = High Durability Sintered Pad. **HH** Suffix = High Performance Sintered Pad. **TT** Suffix = Hard Wearing Off Road Pad. **V** Suffix = Semi Sintered Pad. **G** Suffix = Grooved Shoe.
D Suffix = Drilled Disc. **X** Suffix = Universal Left or Right Disc. **XC** Suffix = Contoured Disc. **LS** Suffix = Left/Steel Disc. **RS** = Right/Steel Disc.

FRONT / AVANT / VORN / FRENTE / ANTERIORE

Model	Year	DISC PAD CHOICES - FRONT			BRAKE DISC CHOICES - FRONT					Line #
		FA, SFA, TT Pad or Brake Shoe	SFAC Carbon Scooter Pads	Speciality Pads - SXR / Vee / MXS	Sintered/HH Pads/ Grooved Shoes	Standard Replacement Discs	Contour Disc Universal Left and Right	Vee-Discs Black † See note below	CX Extreme Disc / UTVX Disc	
WRU 430	1982-1984				803G					1
XC 430	1987-1988	FA134			FA134R					2
XC 430	1980-1981				802G					3
SMR 449	2011				FA322/4HH★					4
TC 449	2011-2013	FA181TT		MXS181	FA181R	MD6184D	MD6184C		OSX6932	5
TE 449	2011-2013	FA181TT		MXS181	FA181R	MD6184D	MD6184C		OSX6932	6
CR 450	1971-1974				801G					7
FC 450	2014-2024	FA181TT		MXS181	FA181R	MD6032D		MD6032CX	OSX6932	8
FC 450 Rockstar Edition	2019-2022	FA181TT		MXS181	FA181R	MD6032D		MD6032CX	OSX6932	9
FE 450	2014-2024	FA181TT		MXS181	FA181R	MD6032D		MD6032CX	OSX6932	10
FR 450 Rally	2016-2023	FA209/2			FA209/2HH★	MD6130D		MD6130CX	OSX6932	11
FS 450	2015-2024				FA447HH★	MD6270D	MD6270C			12
FX 450	2017-2021	FA181TT		MXS181	FA181R	MD6032D		MD6032CX	OSX6932	13
SM 450	2003-2006	FA095			FA095HH★	MD6293D				14
SM 450	2007-2010				FA322/4HH★	MD6293D				15
SM 450 RR	2008-2010				FA322/4HH★					16
SMR 450 RR	2006-2007				FA322/4HH★	MD6293D				17
TC 450	2003-2004	FA181TT		MXS181	FA181R	MD6184D	MD6184C		OSX6184	18
TC 450	2003-2004	FA181TT		MXS181	FA181R	MD6184D	MD6184C		OSX6184K	19
TC 450	2005-2008	FA181TT		MXS181	FA181R	MD6184D	MD6184C		OSX6184	20
TC 450	2005-2008	FA181TT		MXS181	FA181R	MD6184D	MD6184C		OSX6184K	21
TC 450	2009-2010	FA181TT		MXS181	FA181R	MD6184D	MD6184C		OSX6184	22
TC 450	2009-2010	FA181TT		MXS181	FA181R	MD6184D	MD6184C		OSX6184K	23
TE 450	2003-2005	FA181TT		MXS181	FA181R	MD6184D	MD6184C		OSX6184	24
TE 450	2003-2005	FA181TT		MXS181	FA181R	MD6184D	MD6184C		OSX6184K	25
TE 450	2006-2008	FA181TT		MXS181	FA181R	MD6184D	MD6184C		OSX6184	26
TE 450	2006-2008	FA181TT		MXS181	FA181R	MD6184D	MD6184C		OSX6184K	27
TE 450	2009-2010	FA181TT		MXS181	FA181R	MD6184D	MD6184C		OSX6184	28
TE 450	2009-2010	FA181TT		MXS181	FA181R	MD6184D	MD6184C		OSX6184K	29
WR 450	1971-1972				801G					30
AE 500	1982-1984				803G					31
CR 500	1982-1984				803G					32
CR 500	1985-1986	FA047TT								33
CR 500	1987-1988	FA134			FA134R					34
XC 500	1982-1984				803G					35
XC 500	1985-1986	FA047TT								36
XC 500	1987-1988	FA134			FA134R					37
FE 501 inc S Model	2014-2024	FA181TT		MXS181	FA181R	MD6032D		MD6032CX	OSX6932	38
SM 510 R	2005	FA095			FA095HH★	MD6293D				39
SM 510 R	2006-2010				FA322/4HH★	MD6293D				40
TC 510	1987-1988	FA047TT								41
TC 510	1989	FA134			FA134R					42
TC 510	1990	FA134			FA134R					43
TC 510	2004	FA181TT		MXS181	FA181R	MD6184D	MD6184C		OSX6184	44
TC 510	2004	FA181TT		MXS181	FA181R	MD6184D	MD6184C		OSX6184K	45
TC 510	2005-2008	FA181TT		MXS181	FA181R	MD6184D	MD6184C		OSX6184	46
TC 510	2005-2008	FA181TT		MXS181	FA181R	MD6184D	MD6184C		OSX6184K	47
TC 510	2009	FA181TT		MXS181	FA181R					48
TE 510	1987-1988	FA047TT								49
TE 510	1989	FA134			FA134R					50
TE 510	1990	FA134			FA134R					51
TE 510	2004-2005	FA181TT		MXS181	FA181R	MD6184D	MD6184C		OSX6184	52
TE 510	2004-2005	FA181TT		MXS181	FA181R	MD6184D	MD6184C		OSX6184K	53
TE 510	2006-2008	FA181TT		MXS181	FA181R	MD6184D	MD6184C		OSX6184	54
TE 510	2006-2008	FA181TT		MXS181	FA181R	MD6184D	MD6184C		OSX6184K	55
TE 510	2009-2010	FA181TT		MXS181	FA181R	MD6184D	MD6184C		OSX6184	56
TE 510	2009-2010	FA181TT		MXS181	FA181R	MD6184D	MD6184C		OSX6184K	57
TX 510	1987-1988	FA047TT								58
WMX 510	1989	FA134			FA134R					59
WXE 510	1989	FA134			FA134R					60

*-2 Sets Required. † For Vee disc colours add RED, BLU, GRN, GLD, ORG suffix to part number.

⊗ - Also available as a Vintage Motorcycle Disc. ★ - EPFA available. ⚙ Disc made of Billet steel. ♦ CE solid discs for Enduro use.

Non-JAPANESE Built Motorcycles

BRAKE APPLICATIONS

Line #	BRAKE DISC CHOICES - FRONT			DISC PAD CHOICES - REAR				BRAKE DISC CHOICES - REAR					
	SMX Oversize 320mm Disc Kit Front Left	Front disc bolt kit	Front Brake Line	FA, SFA, TT Pad or Brake Shoe	SFAC Carbon Scooter Pads	Speciality Pads - SXR / Vee / MXS	Sintered HH/R Pads/ Grooved Shoes	Standard Replacement Disc	Contour Disc Rear Fitment	Vee Discs CONTOUR	CX Extreme MX Race Disc / UTVX Disc	Rear disc bolt kit	Rear Brake Line
1							802G						
2							802G						
3							802G						
4				FA368TT		MXS368	FA368R						
5	SMX6184K9			FA368TT		MXS368	FA368R						
6	SMX6184K9			FA368TT		MXS368	FA368R						
7							801G						
8	SMX6932	DB603/6		FA368TT		MXS368	FA368R	MD6035D			MD6035CX♦	DB603/6	
9	SMX6932	DB603/6		FA368TT		MXS368	FA368R	MD6035D			MD6035CX♦	DB603/6	
10	SMX6932	DB603/6		FA368TT		MXS368	FA368R	MD6035D			MD6035CX♦	DB603/6	
11	SMX6932			FA368TT		MXS368	FA368R		MD6269C		MD6269CX♦		
12	SMX6932			FA368TT		MXS368	FA368R	MD6035D			MD6035CX♦	DB603/6	
13	SMX6932	DB603/6		FA368TT		MXS368	FA368R	MD6035D			MD6035CX♦	DB603/6	
14				FA208TT		MXS208	FA208R	MD6295D					
15				FA368TT		MXS368	FA368R	MD6288D					
16				FA368TT		MXS368	FA368R						
17				FA368TT		MXS368	FA368R	MD6288D					
18	SMX6184H			FA208TT		MXS208	FA208R	MD6295D					
19	SMX6184K			FA208TT		MXS208	FA208R	MD6295D					
20	SMX6184H			FA368TT		MXS368	FA368R	MD6288D					
21	SMX6184K			FA368TT		MXS368	FA368R	MD6288D					
22	SMX6184H			FA368TT		MXS368	FA368R		MD6288C				
23	SMX6184K			FA368TT		MXS368	FA368R		MD6288C				
24	SMX6184H			FA208TT		MXS208	FA208R	MD6295D					
25	SMX6184K			FA208TT		MXS208	FA208R	MD6295D					
26	SMX6184H			FA368TT		MXS368	FA368R	MD6288D					
27	SMX6184K			FA368TT		MXS368	FA368R	MD6288D					
28	SMX6184H			FA368TT		MXS368	FA368R		MD6288C				
29	SMX6184K			FA368TT		MXS368	FA368R		MD6288C				
30							801G						
31							802G						
32							801G						
33							802G						
34							802G						
35							802G						
36							801G						
37							802G						
38	SMX6932	DB603/6		FA368TT		MXS368	FA368R	MD6035D			MD6035CX♦	DB603/6	
39				FA208TT		MXS208	FA208R	MD6295D					
40				FA368TT		MXS368	FA368R	MD6288D					
41							801G						
42							801G						
43				FA251				MD6126D					
44	SMX6184H			FA208TT		MXS208	FA208R	MD6295D					
45	SMX6184K			FA208TT		MXS208	FA208R	MD6295D					
46	SMX6184H			FA368TT		MXS368	FA368R	MD6288D					
47	SMX6184K			FA368TT		MXS368	FA368R	MD6288D					
48				FA368TT		MXS368	FA368R						
49							801G						
50							801G						
51				FA251				MD6126D					
52	SMX6184H			FA208TT		MXS208	FA208R	MD6295D					
53	SMX6184K			FA208TT		MXS208	FA208R	MD6295D					
54	SMX6184H			FA368TT		MXS368	FA368R	MD6288D					
55	SMX6184K			FA368TT		MXS368	FA368R	MD6288D					
56	SMX6184H			FA368TT		MXS368	FA368R						
57	SMX6184K			FA368TT		MXS368	FA368R						
58							801G						
59							801G						
60							801G						

REAR / ARRIÈRE / HINTEN / POSTERIORE

R Suffix = High Durability Sintered Pad. HH Suffix = High Performance Sintered Pad. TT Suffix = Hard Wearing Off Road Pad. V Suffix = Semi Sintered Pad. G Suffix = Grooved Shoe.
D Suffix = Drilled Disc. X Suffix = Universal Left or Right Disc. XC Suffix = Contoured Disc. LS Suffix = Left/Steel Disc. RS = Right/Steel Disc.

*-2 Sets Required. † For Vee disc colours add RED, BLU, GRN, GLD, ORG suffix to part number.

⊙ - Also available as a Vintage Motorcycle Disc. ★ - EPFA available. Ⓢ Disc made of Billet steel. ♦ CE solid discs for Enduro use.

Part numbers, prefixes, suffixes, photos and illustrations shown in this catalogue are trademarks and/or copyrights of EBC Brakes or the trademark owner A C Freeman Investments Ltd and use without express written permission of the owners is punishable by law.

Non-JAPANESE Built Motorcycles



HUSQVARNA Contd.



DISC PAD CHOICES - FRONT

BRAKE DISC CHOICES - FRONT

R Suffix = High Durability Sintered Pad. **HH** Suffix = High Performance Sintered Pad. **TT** Suffix = Hard Wearing Off Road Pad. **V** Suffix = Semi Sintered Pad. **G** Suffix = Grooved Shoe.
D Suffix = Drilled Disc. **X** Suffix = Universal Left or Right Disc. **XS** Suffix = Contoured Disc. **LS** Suffix = Left/Steel Disc. **RS** = Right/Steel Disc.

FRONT / AVANT / VORN / VORN / FRENTE / ANTERIORE

Model	Year	DISC PAD CHOICES - FRONT				BRAKE DISC CHOICES - FRONT					Line #	
		FA, SFA, TT Pad or Brake Shoe	SFAC Carbon Scooter Pads	Speciality Pads - SXR / Vee / MXS	Sintered/HH Pads/ Grooved Shoes	Standard Replacement Discs	Contour Disc Universal Left and Right	Vee-Discs Black † See note below	CX Extreme Disc / UTVX Disc	OSX Oversize 250mm or 280mm		
SMR 511	2011-2013				FA322/4HH★						1	
TE 511	2011-2012	FA181TT		MXS181	FA181R		MD6367C			OSX6932	2	
SM 530 RR	2008-2010				FA322/4HH★	MD6293D					3	
SM 570 R	2001	FA095			FA095HH★	MD6293D					4	
SM 570 R	2002-2004	FA095			FA095HH★	MD6293D					5	
TC 570	2002-2003	FA181TT		MXS181	FA181R	MD6184D	MD6184C			OSX6184	6	
TC 570	2002-2003	FA181TT		MXS181	FA181R	MD6184D	MD6184C			OSX6184K	7	
TE 570	2001	FA181TT		MXS181	FA181R	MD6184D	MD6184C			OSX6184	8	
TE 570	2001	FA181TT		MXS181	FA181R	MD6184D	MD6184C			OSX6184K	9	
TE 570	2002-2004	FA181TT		MXS181	FA181R	MD6184D	MD6184C			OSX6184	10	
TE 570	2002-2004	FA181TT		MXS181	FA181R	MD6184D	MD6184C			OSX6184K	11	
LT 610	2000	FA244			FA244HH★	MD6294D					12	
SM 610	1998-1999	FA244			FA244HH★	MD6294D					13	
SM 610	2000	FA244			FA244HH★	MD6184D	MD6184C			OSX6184	14	
SM 610	2000	FA244			FA244HH★	MD6184D	MD6184C			OSX6184K	15	
SM 610 IE	2007-2009				FA322/4HH★	MD6293D					16	
SM 610 S	2002-2006	FA244			FA244HH★	MD6293D					17	
SM 610 S	2006				FA322/4HH★	MD6293D					18	
TC 610	1992-1994	FA135TT		MXS135	FA135R	MD6125D					19	
TC 610	2000	FA181TT		MXS181	FA181R	MD6184D	MD6184C			OSX6184	20	
TC 610	2000	FA181TT		MXS181	FA181R	MD6184D	MD6184C			OSX6184K	21	
TC 610 E	1995-1999	FA181TT		MXS181	FA181R	MD6125D				OSX6125	22	
TC 610 R	1991	FA134			FA134R						23	
TE 610	1991	FA134			FA134R						24	
TE 610	1992-1994	FA135TT		MXS135	FA135R	MD6125D					25	
TE 610	1995-1999	FA181TT		MXS181	FA181R	MD6125D				OSX6125	26	
TE 610	2000	FA181TT		MXS181	FA181R	MD6125D				OSX6125	27	
TE 610	2000	FA181TT		MXS181	FA181R	MD6125D				OSX6125	28	
TE 610	2003-2004	FA181TT		MXS181	FA181R	MD6125D				OSX6125	29	
TE 610	2006-2009	FA181TT		MXS181	FA181R	MD6184D	MD6184C			OSX6184	30	
TE 610	2006-2009	FA181TT		MXS181	FA181R	MD6184D	MD6184C			OSX6184K	31	
SMR 630	2006	FA095			FA095HH★	MD6293D					32	
SMR 630	2010-2012				FA322/4HH★	MD6293D					33	
TE 630	2010-2012	FA181TT		MXS181	FA181R	MD6184D	MD6184C			OSX6184	34	
TE 630	2010-2012	FA181TT		MXS181	FA181R	MD6184D	MD6184C			OSX6184K	35	
STR 650 CRC	2007				FA322/4HH★	MD6293D					36	
TR 650 Strada	2012-2013	FA209/2			FA209/2HH★	MD834					37	
TR 650 Terra	2012-2013	FA209/2			FA209/2HH★	MD834					38	
701 Enduro	2019-2024	FA209/2			FA209/2HH★	MD844X	MD844XC				39	
701 Supermoto	2016-2024				FA322/4HH★	MD6414D	MD6414C				40	
701 Svartpilen	2018-2021	FA244			FA244HH★						41	
701 Vitpilen	2018-2021	FA244			FA244HH★						42	
Nuda 900 Nuda 900 SE	2012-2013	FA244*			FA244HH*★						43	
Nuda 900 R	2012-2013				FA447HH*★						44	
901 Norden	2022-2024	FA244*			FA244HH*★	MD896X*					45	
901 Norden Expedition	2023-2024	FA244*			FA244HH*★	MD896X*					46	
											47	
											48	
HYOSUNG												
50 Newtee Up R	2014-2015	SFA169	SFAC169		SFA169HH	MD904D					49	
SD 50	2000-2006	SFA083	SFAC083		SFA083HH						50	
SF 50 R Rally Prima/Racing	2000-2006	SFA083	SFAC083		SFA083HH						51	
Super Cab Cab Plus/Sense 50/Prima Avanti	1999-2006	SFA083	SFAC083		SFA083HH						52	
EZ 100	1999-2005	SFA083	SFAC083		SFA083HH						53	
SF 100 R	2005-2006	SFA083	SFAC083		SFA083HH						54	
FX 110 DLX Midas	1999-2004	SFA083	SFAC083		SFA083HH						55	
FX 110 Midas - ECO/STD	1999-2002	S603									56	
KR 110 Master	2004-2005	SFA083	SFAC083		SFA083HH						57	
Boomer/Exceed 125	2002-2003	SFA047			SFA047HH						58	
GA 125 F Cruise II	1999-2006	FA056									59	
GPS 125 Grand Prix Plus	2000-2004	SFA047			SFA047HH						60	

*-2 Sets Required. † For Vee disc colours add RED, BLU, GRN, GLD, ORG suffix to part number.

⊗ - Also available as a Vintage Motorcycle Disc. ★ - EPFA available. ⚙ Disc made of Billet steel. ♦ CE solid discs for Enduro use.

Non-JAPANESE Built Motorcycles

Line #	BRAKE DISC CHOICES - FRONT			DISC PAD CHOICES - REAR				BRAKE DISC CHOICES - REAR					
	SMX Oversize 320mm Disc Kit Front Left	Front disc bolt kit	Front Brake Line	FA, SFA, TT Pad or Brake Shoe	SFAC Carbon Scooter Pads	Speciality Pads - SXR / Vee / MXS	Sintered HH/R Pads/ Grooved Shoes	Standard Replacement Disc	Contour Disc Rear Fitment	Vee Discs CONTOUR	CX Extreme MX Race Disc / UTVX Disc	Rear disc bolt kit	Rear Brake Line
1				FA368TT		MXS368	FA368R						
2	SMX6184K9			FA368TT		MXS368	FA368R		MD6377C				
3				FA368TT		MXS368	FA368R						
4				FA208TT		MXS208	FA208R	MD6287D					
5				FA208TT		MXS208	FA208R	MD6295D					
6	SMX6184H			FA208TT		MXS208	FA208R	MD6295D					
7	SMX6184K			FA208TT		MXS208	FA208R	MD6295D					
8	SMX6184H			FA208TT		MXS208	FA208R	MD6287D					
9	SMX6184K			FA208TT		MXS208	FA208R	MD6287D					
10	SMX6184H			FA208TT		MXS208	FA208R	MD6287D					
11	SMX6184K			FA208TT		MXS208	FA208R	MD6287D					
12				FA208TT		MXS208	FA208R	MD6295D					
13				FA208TT		MXS208	FA208R	MD6126D					
14	SMX6184H			FA208TT		MXS208	FA208R	MD6287D					
15	SMX6184K			FA208TT		MXS208	FA208R	MD6287D					
16				FA208TT		MXS208	FA208R	MD6295D					
17				FA208TT		MXS208	FA208R	MD6287D					
18				FA208TT		MXS208	FA208R	MD6288D					
19				FA084TT		MXS084	FA084R	MD6126D					
20	SMX6184H			FA208TT		MXS208	FA208R	MD6287D					
21	SMX6184K			FA208TT		MXS208	FA208R	MD6287D					
22	SMX6125			FA208TT		MXS208	FA208R	MD6126D					
23				FA251				MD6126D					
24				FA251				MD6126D					
25				FA084TT		MXS084	FA084R	MD6126D					
26	SMX6125			FA208TT		MXS208	FA208R	MD6126D					
27	SMX6125			FA208TT		MXS208	FA208R	MD6287D					
28	SMX6125			FA208TT		MXS208	FA208R	MD6126D					
29	SMX6125			FA208TT		MXS208	FA208R	MD6287D					
30	SMX6184H			FA208TT		MXS208	FA208R	MD6295D					
31	SMX6184K			FA208TT		MXS208	FA208R	MD6295D					
32				FA208TT		MXS208	FA208R	MD6295D					
33				FA208TT		MXS208	FA208R	MD6287D					
34	SMX6184H			FA208TT		MXS208	FA208R	MD6287D					
35	SMX6184K			FA208TT		MXS208	FA208R	MD6287D					
36				FA208TT		MXS208	FA208R	MD6295D					
37				FA213			FA213HH★	MD651					
38				FA213			FA213HH★	MD651					
39				FA208TT		MXS208	FA208R		MD6417C				
40		DB603/6		FA208TT		MXS208	FA208R	MD6415D	MD6415C				
41				FA208TT			FA208R						
42				FA208TT			FA208R						
43				FA213			FA213HH★	MD671					
44				FA213			FA213HH★	MD671					
45				FA181TT		MXS181	FA181HH	TBC					
46				FA181TT		MXS181	FA181HH	TBC					
47													
48													
49													
50													
51													
52													
53													
54													
55				S603									
56				S603									
57				S603									
58													
59				S602									
60				SFA086			SFA086HH						

REAR / ARRIÈRE / HINTEN / POSTERIORE

R Suffix = High Durability Sintered Pad. **HH** Suffix = High Performance Sintered Pad. **TT** Suffix = Hard Wearing Off Road Pad. **V** Suffix = Semi Sintered Pad. **G** Suffix = Grooved Shoe.
D Suffix = Drilled Disc. **X** Suffix = Universal Left or Right Disc. **XC** Suffix = Contoured Disc. **LS** Suffix = Left/Steel Disc. **RS** = Right/Steel Disc.

BRAKE APPLICATIONS

*-2 Sets Required. † For Vee disc colours add RED, BLU, GRN, GLD, ORG suffix to part number.

⊙ - Also available as a Vintage Motorcycle Disc. ★ - EPFA available. ⚙ - Disc made of Billet steel. ♦ - CE solid discs for Enduro use.

Part numbers, prefixes, suffixes, photos and illustrations shown in this catalogue are trademarks and/or copyrights of EBC Brakes or the trademark owner A C Freeman Investments Ltd and use without express written permission of the owners is punishable by law.

Non-JAPANESE Built Motorcycles



HYOSUNG Contd.



DISC PAD CHOICES - FRONT

BRAKE DISC CHOICES - FRONT

R Suffix = High Durability Sintered Pad. **HH** Suffix = High Performance Sintered Pad. **TT** Suffix = Hard Wearing Off Road Pad. **V** Suffix = Semi Sintered Pad. **G** Suffix = Grooved Shoe.

D Suffix = Drilled Disc. **X** Suffix = Universal Left or Right Disc. **XC** Suffix = Contoured Disc. **LS** Suffix = Left/Steel Disc. **RS** = Right/Steel Disc.

FRONT / AVANT / VORN / FREITE / ANTERIORE

		FA, SFA, TT Pad or Brake Shoe	SFAC Carbon Scooter Pads	Speciality Pads - SXR / Vee / MXS	Sintered/HH Pads/ Grooved Shoes	Standard Replacement Discs	Contour Disc Universal Left and Right	Vee-Discs Black † See note below	CX Extreme Disc / UTVX Disc	OSX Oversize 250mm or 280mm	Line #
GPS 125 Grand Prix/Hyper	1999-2004	SFA047			SFA047HH						1
GT 125	2003-2006	FA086/2			FA086/2HH	MD690	MD690C				2
GT 125	2006-2014	FA086/2			FA086/2HH	MD690	MD690C				3
GT 125	2007-2012	FA086/2			FA086/2HH	MD690	MD690C				4
GT 125 Comet	2004-2006	FA086/2			FA086/2HH	MD690	MD690C				5
GT 125 i	2013-2015	FA086/2			FA086/2HH	MD690	MD690C				6
GV 125 Aquilia	2001-2006	FA086			FA086HH						7
GV 125 Classic	2007-2015	FA086/2			FA086/2HH						8
MS3 125cc	Left 2007-2009		SFAC197		SFA197HH	MD9152D*					9
	Right	SFA228	SFAC228		SFA228HH						10
RT Karion 125	2002-2007	FA086			FA086HH						11
RT Karion 125 D	2008-2015	FA086/2			FA086/2HH						12
RX 125	2001-2007	FA086			FA086HH						13
RX 125 D Karion	2007-2011	FA086/2			FA086/2HH						14
RX 125 D XRX	2008-2011	FA086/2			FA086/2HH						15
XRX 125 Enduro	2000-2006	FA086			FA086HH						16
XRX 125 LC Enduro	2014-2015	FA054TT			FA054R						17
XRX 125 LC Supermoto	2014-2015	FA054TT			FA054R						18
XRX 125 Supermoto	2007-2011	FA086/2			FA086/2HH						19
MS1 125/150	2005	SFA047			SFA047HH						20
MS1-125/150 Exceed	2002-2004	FA047			FA047HH						21
Comet 125/250	2004	FA086			FA086HH						22
Comet 250	2002	FA129			FA129HH★						23
Comet 250 GT	2004-2005	FA086			FA086HH	MD690	MD690C				24
GD 250 i	2013-2015				FA296HH★						25
GT 250	2008-2013	FA086/2*			FA086/2HH*	MD690*	MD690C*				26
GT 250	2014-2015	FA086/2*			FA086/2HH*	MD690*	MD690C*				27
GT 250 i Naked	2013-2015	FA086/2			FA086/2HH						28
GT 250 Naked	2006-2012	FA086/2			FA086/2HH	MD690	MD690C				29
GT 250 R Carbs	2005-2007	FA086/2*			FA086/2HH*	MD690*	MD690C*				30
GV 250 Aquilia	2004-2007	FA086			FA086HH						31
GV 250 Classic	2008-2015	FA086/2			FA086/2HH						32
MS3 250i	Left 2007-2009		SFAC197		SFA197HH	MD9152D*					33
	Right	SFA228	SFAC228		SFA228HH						34
RX 400	2005	FA086			FA086HH						35
TE 450 Quad Rapier	2006-2009	FA054TT*			FA054R*						36
Comet 600	2002	FA129			FA129HH★						37
GT 650	2007-2008	FA086/2*			FA086/2HH*	MD690*	MD690C*				38
GT 650	2009-2013				FA296HH*★	MD690*	MD690C*				39
GT 650	2012-2015				FA296HH*★	MD690*	MD690C*				40
GT 650	2014-2015				FA296HH*★	MD690*	MD690C*				41
GT 650 Comet	2004-2006	FA086*			FA086HH*						42
GT 650 Comet	2007-2008	FA086/2*			FA086/2HH*	MD690*	MD690C*				43
GT 650 Comet	2009-2011				FA296HH*★	MD690*	MD690C*				44
GT 650 S	2005-2008	FA086*			FA086HH*	MD690*	MD690C*				45
GT 650 X	2007	FA086*			FA086HH*						46
GV 650 Aquilia Carb	2004-2006	FA086*			FA086HH*						47
GV 650 EFI	2007-2012	FA086/2*			FA086/2HH*	MD691*					48
GV 650 i Pro	2012-2015	FA086/2*			FA086/2HH*	MD691*					49
GV 700 C R	2006-2009	FA086/2			FA086/2HH	MD691					50
ST7 ST 700 i Deluxe	2012-2015				FA296HH★	MD691					51
ST7 ST 700 i R	2010-2015				FA296HH★	MD691					52
Eva Electric Scooter R	2013-2014	SFA083	SFAC083		SFA083HH						53
STE3 Electric Scooter	2010-2011	SFA083	SFAC083		SFA083HH						54
											55
											56
Scout Sixty	2017-2020	FA209/2		FA209/2V	FA209/2HH★	MD534		VR534BLK			57
Scout Bobber	2018-2022	FA209/2		FA209/2V	FA209/2HH★	MD534		VR534BLK			58
Scout Bobber Twenty	2019-2022	FA209/2		FA209/2V	FA209/2HH★	MD534		VR534BLK			59
Scout R	2015-2015	FA672		FA672V	FA672HH	MD534		VR534BLK			60

*-2 Sets Required. † For Vee disc colours add RED, BLU, GRN, GLD, ORG suffix to part number.

⊗ - Also available as a Vintage Motorcycle Disc. ★ - EPFA available. ⚙ Disc made of Billet steel. ◆ CE solid discs for Enduro use.

Non-JAPANESE Built Motorcycles

BRAKE APPLICATIONS

Line #	BRAKE DISC CHOICES - FRONT			DISC PAD CHOICES - REAR				BRAKE DISC CHOICES - REAR					
	SMX Oversize 320mm Disc Kit Front Left	Front disc bolt kit	Front Brake Line	FA, SFA, TT Pad or Brake Shoe	SFAC Carbon Scooter Pads	Speciality Pads - SXR / Vee / MXS	Sintered HH/R Pads/ Grooved Shoes	Standard Replacement Disc	Contour Disc Rear Fitment	Vee Discs CONTOUR	CX Extreme MX Race Disc / UTVX Disc	Rear disc bolt kit	Rear Brake Line
1				897									
2				FA086/2			FA086/2HH	MD689	MD689C				
3				FA086/2			FA086/2HH	MD689	MD689C				
4				FA086/2			FA086/2HH	MD689	MD689C				
5				FA086/2			FA086/2HH	MD689	MD689C				
6				FA086/2			FA086/2HH	MD689	MD689C				
7				S602									
8				S602									
9													
10				SFA197	SFAC197		SFA197HH						
11				S602									
12				S602									
13				S602									
14				S602									
15				S602									
16				S602									
17				FA083TT			FA083R						
18				FA083TT			FA083R						
19				FA165/2TT			FA165/2R						
20													
21				FA086			FA086HH						
22				FA086			FA086HH						
23				FA063			FA063HH						
24				FA086			FA086HH	MD689	MD689C				
25				SFA298	SFAC298		SFA298HH						
26				FA086/2			FA086/2HH	MD689	MD689C				
27				SFA298	SFAC298		SFA298HH	MD689	MD689C				
28				SFA298	SFAC298		SFA298HH						
29				FA086/2			FA086/2HH	MD689	MD689C				
30				FA086/2			FA086/2HH	MD689	MD689C				
31				S606			S606G						
32				S606			S605G						
33													
34				SFA197	SFAC197		SFA197HH						
35				FA131TT									
36				FA054TT			FA054R						
37				FA063			FA063HH						
38				FA086/2			FA086/2HH	MD689	MD689C				
39				FA086/2			FA086/2HH	MD689	MD689C				
40				FA086/2			FA086/2HH	MD689	MD689C				
41				SFA298	SFAC298		SFA298HH	MD689	MD689C				
42				FA086		FA086V	FA086HH	MD689					
43				FA086/2			FA086/2HH	MD689	MD689C				
44				FA086/2			FA086/2HH	MD689	MD689C				
45				FA086		FA086V	FA086HH	MD689	MD689C				
46				FA086		FA086V	FA086HH	MD689	MD689C				
47				FA319/2			FA319/2HH						
48				FA086/2			FA086/2HH						
49				FA086/2			FA086/2HH						
50				FA086/2			FA086/2HH						
51				FA086/2			FA086/2HH						
52				FA086/2			FA086/2HH						
53				SFA083	SFAC083		SFA083HH						
54													
55													
56													
57				FA213		FA213V	FA213HH★	MD534		VR534BLK			
58				FA213		FA213V	FA213HH★	MD534		VR534BLK			
59				FA213		FA213V	FA213HH★	MD534		VR534BLK			
60				FA377		FA377V	FA377HH★	MD534		VR534BLK			

REAR / ARRIÈRE / HINTEN / POSTERIOR / POSTERIORE

R Suffix = High Durability Sintered Pad. **HH** Suffix = High Performance Sintered Pad. **TT** Suffix = Hard Wearing Off Road Pad. **V** Suffix = Semi Sintered Pad. **G** Suffix = Grooved Shoe.
D Suffix = Drilled Disc. **X** Suffix = Universal Left or Right Disc. **XC** Suffix = Contoured Disc. **LS** Suffix = Left/Steel Disc. **RS** = Right/Steel Disc.

*-2 Sets Required. † For Vee disc colours add RED, BLU, GRN, GLD, ORG suffix to part number.

⊙ - Also available as a Vintage Motorcycle Disc. ★ - EPFA available. ⚙ Disc made of Billet steel. ♦ CE solid discs for Enduro use.

Part numbers, prefixes, suffixes, photos and illustrations shown in this catalogue are trademarks and/or copyrights of EBC Brakes or the trademark owner A C Freeman Investments Ltd and use without express written permission of the owners is punishable by law.

Non-JAPANESE Built Motorcycles



INDIAN Contd.



DISC PAD CHOICES - FRONT

BRAKE DISC CHOICES - FRONT

FRONT / AVANT / VORN / FRENTE / ANTERIORE

FA, SFA, TT Pad or Brake Shoe	SFAC Carbon Scooter Pads	Speciality Pads - SXR / Vee / MXS	Sintered/HH Pads/ Grooved Shoes	Standard Replacement Discs	Contour Disc Universal Left and Right	Vee-Discs Black † See note below	CX Extreme Disc / UTVX Disc	OSX Oversize 250mm or 280mm
Scout R 2017-2020	FA209/2		FA209/2V	FA209/2HH★	MD534		VR534BLK	
FTR 1200 R 2019-2022			FA630V*	FA630HH*★	MD803*			
FTR 1200 Rally 2019-2022			FA630V*	FA630HH*★	MD803*			
FTR 1200 S 2019-2022			FA630V*	FA630HH*★	MD803*			
FTR 1200 S Race Replica 2019-2022			FA630V*	FA630HH*★	MD803*			
Chief All models Chief/Deluxe/ Springfield/Road Master/Vintage 2002-2007	FA216/3		FA216/3V	FA216/3HH★	FSD007⊕		VR011BLK	
Scout All models Scout/ Deluxe/Springfield 2002-2007	FA216/3		FA216/3V	FA216/3HH★	FSD007⊕		VR011BLK	
Spirit All models Deluxe/Springfield/ Roadblaster 2002-2007	FA216/3		FA216/3V	FA216/3HH★	FSD007⊕		VR011BLK	
Bomber R 2010-2010	FA095*		FA095V*	FA095HH*★	MD535*		VR535BLK*	
Chief Classic 2011-2012	FA095*		FA095V*	FA095HH*★	MD535*		VR535BLK*	
Chief Roadmaster 2009-2011	FA095*		FA095V*	FA095HH*★	MD535*		VR535BLK*	
Chief Standard 2009-2010	FA095*		FA095V*	FA095HH*★	MD535*		VR535BLK*	
Chief Vintage 2009-2013	FA095*		FA095V*	FA095HH*★	MD535*		VR535BLK*	
Challenger 1800cc 2019-2022			FA630V*	FA630HH*★				
Challenger Dark Horse 1800cc 2019-2022			FA630V*	FA630HH*★				
Challenger Limited 1800cc 2019-2022			FA630V*	FA630HH*★				
Chief Classic 2014-2017				FA347HH*★	MD890BLK		VR890BLK*	
Chief Dark Horse 2016-2020				FA347HH*★	MD890BLK		VR890BLK*	
Chief Vintage 2014-2021				FA347HH*★	MD890BLK		VR890BLK*	
Chieftain Chieftain Elite 2017-2022				FA347HH*★	MD890BLK		VR890BLK*	
Chieftain Chieftain Limited 2017-2021				FA347HH*★	MD890BLK		VR890BLK*	
Chieftain R 2014-2021				FA347HH*★	MD890BLK		VR890BLK*	
Dark Horse R 2010-2012	FA095*		FA095V*	FA095HH*★	MD535*		VR535BLK*	
Roadmaster R 2015-2022				FA347HH*★	MD890BLK		VR890BLK*	
Roadmaster Roadmaster Classic 2017-2018				FA347HH*★	MD890BLK		VR890BLK*	
Roadmaster Roadmaster Elite 2017-2022				FA347HH*★	MD890BLK		VR890BLK*	
Springfield 2016-2022				FA347HH*★	MD890BLK		VR890BLK*	
Springfield Dark Horse 2018-2022				FA347HH*★	MD890BLK		VR890BLK*	
Chieftain Chieftain Dark Horse 2016-2022				FA347HH*★	MD890BLK		VR890BLK*	
Roadmaster Roadmaster Dark Horse 2017-2022				FA347HH*★	MD890BLK		VR890BLK*	
50 it Scooter 2009	SFA197	SFAC197		SFA197HH				
Dragster 50 LC 1998-2012	SFA115	SFAC115		SFA115HH	MD941D			
Formula 50 Air 1999-2003	SFA115	SFAC115		SFA115HH	MD941D			
Formula 50 LC 1996-2003	SFA115	SFAC115		SFA115HH	MD941D			
Jet Set 50cc 2002-2003	SFA350	SFAC350		SFA350HH				
Pit Jet 50 2007-2009	FA448							
Torpedo 50 All models 1998-2003	SFA115	SFAC115		SFA115HH	MD951D			
Velocifero 50 1998-2002	H350							
Griffon #59 2007								
Griffon #59 650cc 2006	FA086*			FA086HH*				
Formula 125 1996-2003	SFA115	SFAC115		SFA115HH	MD941D			
Formula 125 2014-2015	SFA086	SFAC086		SFA086HH				
Pit Jet 125 2007-2008	FA448							
Pit Jet 125 2007-2009	FA448							
Torpedo 125 2007-2008	SFA323	SFAC323		SFA323HH	MD941D			
Torpedo 125 Pro 1999-2009	SFA115	SFAC115		SFA115HH	MD951D			
Jack 125/150 2007	SFA323	SFAC323		SFA323HH				
Jet Set 125/150 2002-2003	SFA350	SFAC350		SFA350HH				
Jupiter 125/150 2002	SFA199	SFAC199		SFA199HH	MD999D			
Millennium M 100/125/150 LC 2000-2001	SFA101	SFAC101		SFA101HH	MD9114D			
Millennium M 100/125/150 LC 2002-2004	SFA350	SFAC350		SFA350HH	MD9114D			
SX 150 Scooter 2009	SFA235	SFAC235						
Dragster 125/180 LC 1999	SFA115	SFAC115		SFA115HH	MD941D			
Dragster 125/180 LC 2000-2012	SFA115	SFAC115		SFA115HH	MD941D			
Dragster 250 2007-2009	SFA115	SFAC115		SFA115HH	MD941D			

Line #
1
2
3
4
5
6
7
8
9
10
11
12
13
14
15
16
17
18
19
20
21
22
23
24
25
26
27
28
29
30
31
32
33
34
35
36
37
38
39
40
41
42
43
44
45
46
47
48
49
50
51
52
53
54
55
56
57
58
59
60

R Suffix = High Durability Sintered Pad. HH Suffix = High Performance Sintered Pad. TT Suffix = Hard Wearing Off Road Pad. V Suffix = Semi Sintered Pad. G Suffix = Grooved Shoe.
D Suffix = Drilled Disc. X Suffix = Universal Left or Right Disc. XC Suffix = Contoured Disc. LS Suffix = Left/Steel Disc. RS = Right/Steel Disc.

*-2 Sets Required. † For Vee disc colours add RED, BLU, GRN, GLD, ORG suffix to part number.

⊕ - Also available as a Vintage Motorcycle Disc. ★ - EPFA available. ⊕ Disc made of Billet steel. ◆ CE solid discs for Enduro use.

Non-JAPANESE Built Motorcycles

Line #	BRAKE DISC CHOICES - FRONT			DISC PAD CHOICES - REAR				BRAKE DISC CHOICES - REAR					
	SMX Oversize 320mm Disc Kit Front Left	Front disc bolt kit	Front Brake Line	FA, SFA, TT Pad or Brake Shoe	SFAC Carbon Scooter Pads	Speciality Pads - SXR / Vee / MXS	Sintered HH/R Pads/ Grooved Shoes	Standard Replacement Disc	Contour Disc Rear Fitment	Vee Discs CONTOUR	CX Extreme MX Race Disc / UTVX Disc	Rear disc bolt kit	Rear Brake Line
1				FA213		FA213V	FA213HH★	MD534		VR534BLK			
2				FA266		FA266V	FA266HH★	MD8007					
3				FA266		FA266V	FA266HH★	MD8007					
4				FA266		FA266V	FA266HH★	MD8007					
5				FA266		FA266V	FA266HH★	MD8007					
6													
7				FA216/3		FA216/3V	FA216/3HH★	RSD007A					
8													
9				FA216/3		FA216/3V	FA216/3HH★	RSD007A					
10													
11				FA216/3		FA216/3V	FA216/3HH★	RSD007A					
12				FA696		FA696V	FA696HH★	MD535		VR535BLK			
13				FA696		FA696V	FA696HH★	MD535		VR535BLK			
14				FA696		FA696V	FA696HH★	MD535		VR535BLK			
15				FA696		FA696V	FA696HH★	MD535		VR535BLK			
16				FA696		FA696V	FA696HH★	MD535		VR535BLK			
17				FA196		FA196V	FA196HH★						
18				FA196		FA196V	FA196HH★						
19				FA196		FA196V	FA196HH★						
20				FA196		FA196V	FA196HH★	MD887BLK		VR887BLK			
21				FA196		FA196V	FA196HH★	MD887BLK		VR887BLK			
22				FA196		FA196V	FA196HH★	MD887BLK		VR887BLK			
23				FA196		FA196V	FA196HH★	MD887BLK		VR887BLK			
24				FA196		FA196V	FA196HH★	MD887BLK		VR887BLK			
25				FA196		FA196V	FA196HH★	MD887BLK		VR887BLK			
26				FA696		FA696V	FA696HH★	MD535		VR535BLK			
27				FA196		FA196V	FA196HH★	MD887BLK		VR887BLK			
28				FA196		FA196V	FA196HH★	MD887BLK		VR887BLK			
29				FA196		FA196V	FA196HH★	MD887BLK		VR887BLK			
30				FA196		FA196V	FA196HH★	MD887BLK		VR887BLK			
31				FA196		FA196V	FA196HH★	MD887BLK		VR887BLK			
32				FA196		FA196V	FA196HH★	MD887BLK		VR887BLK			
33				FA196		FA196V	FA196HH★	MD887BLK		VR887BLK			
34													
35													
36													
37				SFA115	SFAC115		SFA115HH	MD948D					
38				S624									
39				SFA115	SFAC115		SFA115HH	MD950D					
40				816									
41				FA448									
42				S624									
43				S624									
44				FA209/2									
45				FA086		FA086V	FA086HH						
46				SFA115	SFAC115		SFA115HH	MD950D					
47				SFA260	SFAC260		SFA260HH						
48				FA448									
49				SFA115	SFAC115		SFA115HH						
50				S624									
51				816									
52				SFA323	SFAC323		SFA323HH						
53				SFA275									
54				SFA275	SFAC275		SFA275HH	MD953D		VR953			
55				Y527									
56				Y527									
57													
58				816									
59				816				MD949D					
60				SFA115	SFAC115		SFA115HH	MD949D					

REAR / ARRIÈRE / HINTEN / POSTERIOR / POSTERIORE

R Suffix = High Durability Sintered Pad. **HH** Suffix = High Performance Sintered Pad. **TT** Suffix = Hard Wearing Off Road Pad. **V** Suffix = Semi Sintered Pad. **G** Suffix = Grooved Shoe.
D Suffix = Drilled Disc. **X** Suffix = Universal Left or Right Disc. **XC** Suffix = Contoured Disc. **LS** Suffix = Left/Steel Disc. **RS** = Right/Steel Disc.

BRAKE APPLICATIONS

*-2 Sets Required. † For Vee disc colours add RED, BLU, GRN, GLD, ORG suffix to part number.

⊙ - Also available as a Vintage Motorcycle Disc. ★ - EPFA available. ⚙ - Disc made of Billet steel. ♦ - CE solid discs for Enduro use.

Part numbers, prefixes, suffixes, photos and illustrations shown in this catalogue are trademarks and/or copyrights of EBC Brakes or the trademark owner A C Freeman Investments Ltd and use without express written permission of the owners is punishable by law.

Non-JAPANESE Built Motorcycles



ITALJET

Jupiter 250	2002-2003										
Marco Polo 400cc Scooter	2007-2009										
Bazooka 650cc	2006										

J.J. COBAS

TR1	1985										
Trial	1985										

JCB UTILITY VEHICLES

Groundhog 800D 4 x 4	2008-2009										
Workmax 800D 4 x 4	2010-2014										
Groundhog 1000D 4 x 4	2008-2009										
Groundhog 1000D 6 x 4	2008-2009										
Workmax 1000D 4 x 4	2010-2014										
Workmax 1000D 6x4	2010-2014										

JCM

240 Europa	1989										
------------	------	--	--	--	--	--	--	--	--	--	--

JIALING

JE 125 E Dragon	1998										
JH 125 B Roadstar	1998										

JOHN DEERE ATV AND SIDE X SIDE

XUV Gator 620 i	2010										
XUV Gator 625 i	2011										
Buck 500/650 EX/EXT	Left 2004-2008										
	Right										
Trail Buck 500/650 EX/EXT	Left 2004-2005										
	Right										
XUV Gator 825 i	2011										
4PX Gator 4 x 2/4 x 4 Trail 9345	2004-2005										
HPX Gator 4 x 2	2010-2011										
HPX Gator 4 x 2/4 x 4 9446	2004-2008										
HPX Gator 4 x 4	2010										
HPX Gator 4 x 4	2010-2011										
HPX Gator 4 x 4 / 4 x 4 Trail	2010-2011										
TX Gator Utility 9461	2004-2005										
TX Turf Gator 9462	2004-2005										
XUV Gator 850 D	2010										
XUV Gator 855 D	2011										

JONWAY

YY 50 QT-10 Viper	2007-2009										
YY 50 QT-10 Viper	2007-2009										
YY 50 QT-28 Raptor	2007-2009										
YY 50 QT-28 Raptor	2007-2009										
YY 125	2008-2009										
YY 150	2008-2009										
YY 150 T-19	2008-2009										
YY 250 T-19	2008-2009										
YY 250/250 A	2008-2009										
YY 50 QT-5 Neo	2007-2009										
YY 50 QT-5 Neo	2007-2009										
YY 50 QT-6 Agility	2007-2009										
YY 50 QT-6 Agility	2007-2009										
YY 80 QT-6 Agility	2007-2009										

JORDAN

Easy 50/100	2003-2004										
-------------	-----------	--	--	--	--	--	--	--	--	--	--

FA, SFA, TT Pad or Brake Shoe	SFAC Carbon Scooter Pads	DISC PAD CHOICES - FRONT			BRAKE DISC CHOICES - FRONT					Line #
		Speciality Pads - SXR / Vee / MXS	Sintered/ HH Pads/ Grooved Shoes	Standard Replacement Discs	Contour Disc Universal Left and Right	Vee-Discs Black † See note below	CX Extreme Disc / UTVX Disc	OSX Oversize 250mm or 280mm		
SFA199	SFAC199		SFA199HH	MD999D						1
SFA142*	SFAC142*		SFA142HH*							2
FA086*			FA086HH*							3
										4
FA095			FA095HH★							6
FA115			FA115R							7
										8
										9
										10
FA482TT*			FA482R*							11
										12
										13
										14
										15
										16
FA115			FA115R							17
										18
										19
FA086			FA086HH							21
FA054TT			FA086HH							22
										23
										24
										25
										26
FA307TT			FA307R	MD6245D*						27
FA317TT			FA317R							28
FA307TT			FA307R	MD6245D*						29
FA317TT			FA317R							30
			FA610R*							31
			FA398R*							32
			FA398R*							33
			FA398R*							34
			FA398R*							35
										36
			FA398R*							37
			FA398R*							38
			FA398R*							39
										40
			FA610R*							41
										42
										43
SFA086	SFAC086		SFA086HH							44
SFA086	SFAC086		SFA086HH							45
SFA086	SFAC086		SFA086HH							46
SFA086	SFAC086		SFA086HH							47
FA165TT	SFAC165		FA165R							48
FA165TT	SFAC165		FA165R							49
SFA086	SFAC086		SFA086HH							50
SFA086	SFAC086		SFA086HH							51
FA165TT	SFAC165		FA165R							52
SFA086	SFAC086		SFA086HH							53
SFA086	SFAC086		SFA086HH							54
SFA086	SFAC086		SFA086HH							55
SFA086	SFAC086		SFA086HH							56
SFA086	SFAC086		SFA086HH							57
										58
SFA169	SFAC169		SFA169HH	MD904D				VR904		60

FRONT / AVANT / VORN / FRENTE / ANTERIORE

R Suffix = High Durability Sintered Pad. HH Suffix = High Performance Sintered Pad. TT Suffix = Hard Wearing Off Road Pad. V Suffix = Semi Sintered Pad. G Suffix = Grooved Shoe.

D Suffix = Drilled Disc. X Suffix = Universal Left or Right Disc. XC Suffix = Contoured Disc. LS Suffix = Left/Steel Disc. RS = Right/Steel Disc.

*-2 Sets Required. † For Vee disc colours add RED, BLU, GRN, GLD, ORG suffix to part number.

⊗ - Also available as a Vintage Motorcycle Disc. ★ - EPFA available. ⚙ Disc made of Billet steel. ♦ CE solid discs for Enduro use.

260 Part numbers, prefixes, suffixes, photos and illustrations shown in this catalogue are trademarks and/or copyrights of EBC Brakes or the trademark owner A C Freeman Investments Ltd and use without express written permission of the owners is punishable by law.

Non-JAPANESE Built Motorcycles

BRAKE APPLICATIONS

Line #	BRAKE DISC CHOICES - FRONT			DISC PAD CHOICES - REAR				BRAKE DISC CHOICES - REAR					
	SMX Oversize 320mm Disc Kit Front Left	Front disc bolt kit	Front Brake Line	FA, SFA, TT Pad or Brake Shoe	SFAC Carbon Scooter Pads	Speciality Pads - SXR / Vee / MXS	Sintered HH/R Pads/ Grooved Shoes	Standard Replacement Disc	Contour Disc Rear Fitment	Vee Discs CONTOUR	CX Extreme MX Race Disc / UTVX Disc	Rear disc bolt kit	Rear Brake Line
1				SFA374				MD953D		VR953			
2				SFA298	SFAC298		SFA298HH						
3				FA086		FA086V	FA086HH						
4													
5													
6				FA115			FA115R						
7													
8													
9													
10													
11				FA483TT*			FA483R*						
12													
13													
14													
15													
16													
17													
18				FA337TT			FA337R						
19													
20													
21				FA317TT									
22				FA317TT									
23													
24													
25													
26													
27				FA317TT			FA317R	MD6225D					
28													
29				FA317TT			FA317R	MD6225D					
30													
31													
32							FA398R						
33							FA398R*						
34							FA398R						
35							FA398R*						
36													
37							FA398R*						
38							FA398R						
39							FA398R						
40													
41													
42													
43													
44													
45													
46													
47													
48				FA165TT			FA165R						
49				FA165TT			FA165R						
50				SFA086	SFAC086		SFA086HH						
51				SFA086	SFAC086		SFA086HH						
52				FA165TT			FA165R						
53													
54													
55													
56													
57													
58													
59													
60				Y503									

REAR / ARRIÈRE / HINTEN / POSTERIOR / POSTERIORE

R Suffix = High Durability Sintered Pad. **HH** Suffix = High Performance Sintered Pad. **TT** Suffix = Hard Wearing Off Road Pad. **V** Suffix = Semi Sintered Pad. **G** Suffix = Grooved Shoe.
D Suffix = Drilled Disc. **X** Suffix = Universal Left or Right Disc. **XC** Suffix = Contoured Disc. **LS** Suffix = Left/Steel Disc. **RS** = Right/Steel Disc.

*-2 Sets Required. † For Vee disc colours add RED, BLU, GRN, GLD, ORG suffix to part number.

⊙ - Also available as a Vintage Motorcycle Disc. ★ - EPFA available. Ⓢ Disc made of Billet steel. ◆ CE solid discs for Enduro use.

Part numbers, prefixes, suffixes, photos and illustrations shown in this catalogue are trademarks and/or copyrights of EBC Brakes or the trademark owner A C Freeman Investments Ltd and use without express written permission of the owners is punishable by law.

Non-JAPANESE Built Motorcycles



JORDAN Contd.



Hipo/Mars/Bob 50/90/100	
Anti Vibrate Model	2003-2004
Hipo/Mars/Bob 50/90/100	
Street Model	2003-2004

K.M. KEEMOTORBIKES

Badboy 50 CX	2005
Badboy 100 CX	2005

KAWATA

Fever 50/90	1999-2001
Stinger 90	1999-2001

KEEWAY

50 Zahara	2013-2014
Agora 50	2010-2015
ARN 50 25/45	2010-2011
Easy/Hurricane 50 25/45	2007-2012
F-Act 50	2007-2010
F-Act 50 EVO City 2T	2009-2015
F-Act 50 EVO DD 2T	2009-2015
F-Act 50 NKD	2009-2011
F-Act 50 Racing 25/45	2010-2012
F-Act 50 RS	2010-2011
Flash 50	2007-2009
Flash 50 Electric	2009-2010
Focus 50	2006-2007
Goccia 50	2008-2015
Hacker 50	2008-2009
Hurricane 50	2007-2014
Hurricane 50 Base	2007
Matrix 50	2006-2012
Matrix 50 V4 25/45	2010-2011
Pixel 50	2008-2012
Swan 50.555555556	2010-2011
TX 50	2010-2012
X-Ray 50 Supermoto	2007-2009
110 Kee	2012-2014
110 Target	2013-2014
Partner 110	2006-2007
125 Link	2013-2014
125 Logik	2013-2014
125 Logik	2017-2019
125 New Strike	2013-2014
125 Strike	2013-2014
125 Target	2013-2015
125 Zahara	2013-2015
125i Silverblade	Left 2013-2015
	Right
ARN 125	2006-2012
Cityblade 125	2013-2014
Cityblade 125 Euro 4	2016-2019
F-Act 125	2007-2011
Focus 125	2006-2007
Hacker 125	2008-2010
Hacker 125	2011-2012
K2 125/150/250	2007
Matrix 125	2006
Matrix 125	2007-2010
RKS 125	2010-2011

FRONT / AVANT / VORN / FRENTE / ANTERIORE

DISC PAD CHOICES - FRONT				BRAKE DISC CHOICES - FRONT					Line #
FA, SFA, TT Pad or Brake Shoe	SFAC Carbon Scooter Pads	Speciality Pads - SXR / Vee / MXS	Sintered/HH Pads/ Grooved Shoes	Standard Replacement Discs	Contour Disc Universal Left and Right	Vee-Discs Black † See note below	CX Extreme Disc / UTVX Disc	OSX Oversize 250mm or 280mm	
H338*			H338G*						1
									2
H338*			H338G*						3
									4
									5
SFA235	SFAC235								6
SFA235	SFAC235								7
									8
									9
SFA169	SFAC169		SFA169HH						10
SFA169	SFAC169		SFA169HH						11
									12
									13
SFA086	SFAC086		SFA086HH						14
SFA086	SFAC086		SFA086HH						15
SFA047			SFA047HH						16
									17
SFA235	SFAC235								18
SFA235	SFAC235								19
SFA235	SFAC235								20
SFA235	SFAC235								21
SFA235	SFAC235								22
SFA235	SFAC235								23
SFA235	SFAC235								24
SFA083	SFAC083		SFA083HH						25
SFA235	SFAC235								26
SFA235	SFAC235								27
SFA193	SFAC193		SFA193HH						28
SFA047			SFA047HH						29
SFA083	SFAC083		SFA083HH						30
SFA083	SFAC083		SFA083HH						31
SFA235	SFAC235								32
SFA235	SFAC235								33
SFA083	SFAC083		SFA083HH						34
SFA235	SFAC235								35
FA194			FA194HH						36
FA194			FA194HH						37
SFA086	SFAC086		SFA086HH						38
									39
SFA228	SFAC228		SFA228HH						40
SFA086	SFAC086		SFA086HH						41
SFA228	SFAC228		SFA228HH						42
FA707									43
Y506									44
FA086			FA086HH						45
									46
SFA086	SFAC086		SFA086HH						47
	SFAC228		SFA228HH						48
SFA197	SFAC197		SFA197HH						49
SFA047			SFA047HH						50
SFA228	SFAC228		SFA228HH						51
FA707									52
SFA235	SFAC235								53
SFA235	SFAC235								54
SFA047			SFA047HH						55
SFA047			SFA047HH						56
SFA353	SFAC353		SFA353HH						57
SFA083	SFAC083		SFA083HH						58
SFA235	SFAC235								59
FA086			FA086HH						60

*-2 Sets Required. † For Vee disc colours add RED, BLU, GRN, GLD, ORG suffix to part number.

⊗ - Also available as a Vintage Motorcycle Disc. ★ - EPFA available. ⚙ - Disc made of Billet steel. ♦ - CE solid discs for Enduro use.

Non-JAPANESE Built Motorcycles

Line #	BRAKE DISC CHOICES - FRONT			DISC PAD CHOICES - REAR				BRAKE DISC CHOICES - REAR					
	SMX Oversize 320mm Disc Kit Front Left	Front disc bolt kit	Front Brake Line	FA, SFA, TT Pad or Brake Shoe	SFAC Carbon Scooter Pads	Speciality Pads - SXR / Vee / MXS	Sintered HH/R Pads/ Grooved Shoes	Standard Replacement Disc	Contour Disc Rear Fitment	Vee Discs CONTOUR	CX Extreme MX Race Disc / UTVX Disc	Rear disc bolt kit	Rear Brake Line
1													
2				FA232TT			FA232R						
3													
4				FA232TT			FA232R						
5													
6													
7				H303									
8				H303									
9													
10													
11													
12													
13													
14													
15				Y503									
16				Y503									
17				Y503									
18				Y503									
19				Y503									
20				Y503									
21				SFA083	SFAC083								
22				Y503									
23				Y503									
24				Y503									
25				Y503									
26				Y503									
27				Y503									
28				Y503									
29				Y503									
30				Y503									
31				Y503									
32				Y503									
33				Y503									
34				Y503									
35				Y503									
36				FA060									
37				FA060									
38				Y506									
39				Y506									
40													
41				SFA086	SFAC086		SFA086HH						
42				SFA228	SFAC228		SFA228HH						
43				TBC									
44				Y506									
45				Y506									
46				Y506									
47				Y503									
48													
49				SFA197	SFAC197		SFA197HH						
50				Y506									
51				SFA298	SFAC298		SFA298HH						
52				FA298									
53				Y503									
54				Y506									
55													
56													
57				SFA353	SFAC353		SFA353HH						
58				Y506									
59				Y506									
60				Y506									

REAR / ARRIÈRE / HINTEN / POSTERIOR / POSTERIORE

R Suffix = High Durability Sintered Pad. **HH** Suffix = High Performance Sintered Pad. **TT** Suffix = Hard Wearing Off Road Pad. **V** Suffix = Semi Sintered Pad. **G** Suffix = Grooved Shoe.
D Suffix = Drilled Disc. **X** Suffix = Universal Left or Right Disc. **XC** Suffix = Contoured Disc. **LS** Suffix = Left/Steel Disc. **RS** = Right/Steel Disc.

BRAKE APPLICATIONS

*-2 Sets Required. † For Vee disc colours add RED, BLU, GRN, GLD, ORG suffix to part number.

⊙ - Also available as a Vintage Motorcycle Disc. ★ - EPFA available. ⚙ Disc made of Billet steel. ♦ CE solid discs for Enduro use.

Part numbers, prefixes, suffixes, photos and illustrations shown in this catalogue are trademarks and/or copyrights of EBC Brakes or the trademark owner A C Freeman Investments Ltd and use without express written permission of the owners is punishable by law.

Non-JAPANESE Built Motorcycles



KEEWAY Contd.

R Suffix = High Durability Sintered Pad. **HH** Suffix = High Performance Sintered Pad. **TT** Suffix = Hard Wearing Off Road Pad. **V** Suffix = Semi Sintered Pad. **G** Suffix = Grooved Shoe.
D Suffix = Drilled Disc. **X** Suffix = Universal Left or Right Disc. **XS** Suffix = Contoured Disc. **LS** Suffix = Left/Steel Disc. **RS** = Right/Steel Disc.

		DISC PAD CHOICES - FRONT			BRAKE DISC CHOICES - FRONT					Line #	
		FA, SFA, TT Pad or Brake Shoe	SFAC Carbon Scooter Pads	Speciality Pads - SXR / Vee / MXS	Sintered/HH Pads/ Grooved Shoes	Standard Replacement Discs	Contour Disc Universal Left and Right	Vee-Discs Black † See note below	CX Extreme Disc / UTVX Disc	OSX Oversize 250mm or 280mm	
RKS 125	2012-2015	FA197			FA197HH★						1
RKV 125	2010-2015	FA658									2
RKV 125 Euro 4	2016-2019	FA707									3
Silverblade 125	2010-2011	SFA197	SFAC197		SFA197HH						4
Superlight 125 Euro 4	2017-2019	FA707									5
Superlight Ltd 125	2007-2015	FA228			FA228HH						6
TX 125	2010-2012	FA194			FA194HH						7
TX 125 SM	2013-2014	FA194			FA194HH						8
TX 125 TXM	2016-2019	FA707									9
150 Link	2013-2014	SFA086	SFAC086		SFA086HH						10
150 Logik	2013-2015	SFA228	SFAC228		SFA228HH						11
150 New Strike	2013-2014	Y506									12
150 Strike	2013-2014	FA086			FA086HH						13
ARN 150	2006-2009	SFA047			SFA047HH						14
Cityblade 150	2013-2015	SFA228	SFAC228		SFA228HH						15
F-Act 150	2007-2010	SFA235	SFAC235								16
Hacker 150	2008-2010	SFA047			SFA047HH						17
Matrix 150	2007-2010	SFA235	SFAC235								18
Outlook 125/150	2007-2010	SFA228	SFAC228		SFA228HH						19
RKS 150	2012-2014	FA197			FA197HH★						20
RKV 150	2013-2015	FA658									21
RKX 150	2013-2014	FA658									22
Speed 125/150	2007-2012	SFA093									23
Superlight 150	2007-2012	FA228			FA228HH						24
200 Link	2013-2014	SFA086	SFAC086		SFA086HH						25
200 New Strike	2013-2014	Y506									26
KXM 200	2014	FA181TT			FA181R						27
KXV 200	2014	FA181TT			FA181R						28
RKS 200	2012-2014	FA197			FA197HH★						29
RKV 200S	2014	FA658									30
RKV 200S Factory	2014	FA658									31
RKX 200	2013-2014	FA658									32
TX 200	2013-2014	FA194			FA194HH						33
250i Blackster	2014-2015	FA228			FA228HH						34
250i Silverblade	Left Right	2013-2015									35
			SFAC228		SFA228HH						35
			SFA197	SFAC197	SFA197HH						36
Cruiser 250i	2009-2014	FA228			FA228HH						37
Dragon 250 Quad	2007-2009	FA083TT*			FA083R*						38
Silverblade 125/150/250	2007	SFA181*	SFAC181*		SFA181HH*						39
GTX 300 Quad	2010-2011	FA483TT*			FA483R*						40
350i Index	2013-2015	SFA228	SFAC228		SFA228HH						41
RY6 50.555555556	2010-2015	SFA235	SFAC235								42
RY8 50cc All models	2007-2009	SFA235	SFAC235								43
RY8 50cc Racing 25/45	2010-2011	SFA235	SFAC235								44
RY8 50cc SP 25/45	2010-2011	SFA235	SFAC235								45
											46
											47
KIOTI/MECHRON SIDE X SIDE											
2200 PS UTV	2014-2015	FA622TT*			FA622R*						48
2200 UTV	2009-2014	FA622TT*			FA622R*						49
2210 UTV	2011-2014	FA622TT*			FA622R*						50
2240 UTV	2014-2015	FA622TT*			FA622R*						51
											52
											53
KRAM-IT KRAMER											
ER 125/250/300 RV3	1988	FA134			FA134R						54
GS 250	2000	FA181TT		MXS181	FA181R						55
MC 250/MC 250 LC	1989										56
SM 250	2000	FA181TT		MXS181	FA181R						57
SMR 250	2000										58
ER 500/600	1996	FA134			FA134R						59
											60

*-2 Sets Required. † For Vee disc colours add RED, BLU, GRN, GLD, ORG suffix to part number.

⊗ - Also available as a Vintage Motorcycle Disc. ★ - EPFA available. ⚙ - Disc made of Billet steel. ♦ - CE solid discs for Enduro use.

Non-JAPANESE Built Motorcycles

Line #	BRAKE DISC CHOICES - FRONT			DISC PAD CHOICES - REAR				BRAKE DISC CHOICES - REAR					
	SMX Oversize 320mm Disc Kit Front Left	Front disc bolt kit	Front Brake Line	FA, SFA, TT Pad or Brake Shoe	SFAC Carbon Scooter Pads	Speciality Pads - SXR / Vee / MXS	Sintered HH/R Pads/ Grooved Shoes	Standard Replacement Disc	Contour Disc Rear Fitment	Vee Discs CONTOUR	CX Extreme MX Race Disc / UTVX Disc	Rear disc bolt kit	Rear Brake Line
1				Y506									
2				FA298									
3				FA197									
4				SFA197	SFAC197		SFA197HH						
5				SFA197	SFAC197		SFA197HH						
6				Y516									
7				FA060									
8				FA298			SFA298HH						
9				FA298									
10				SFA086	SFAC086		SFA086HH						
11				SFA228	SFAC228		SFA228HH						
12				Y506									
13				Y506									
14				Y506									
15				SFA260	SFAC260		SFA260HH						
16				Y506									
17													
18				Y506									
19				SFA228	SFAC228		SFA228HH						
20				Y506									
21				FA298									
22				FA298									
23				SFA093									
24				Y516									
25				FA086			FA086HH						
26				Y506									
27				FA298			SFA298HH						
28				FA298			SFA298HH						
29				Y506									
30				FA298									
31				FA298									
32				FA298									
33				FA298			SFA298HH						
34				FA197			FA197HH★						
35				SFA197	SFAC197		SFA197HH						
36													
37													
38				FA054TT			FA054R						
39				SFA266	SFAC266		SFA266HH						
40				FA482TT			FA482R						
41				SFA083	SFAC083		SFA083HH						
42				Y503									
43				Y503									
44													
45				Y503									
46													
47													
48				FA622TT*			FA622R*						
49				FA622TT*			FA622R*						
50				FA622TT*			FA622R*						
51				FA622TT*			FA622R*						
52													
53													
54				FA067/3			FA067R						
55				FA208TT		MXS208	FA208R						
56							843G						
57				FA208TT		MXS208	FA208R						
58				FA208TT		MXS208	FA208R						
59				FA067/3			FA067R						
60													

REAR / ARRIÈRE / HINTEN / POSTERIOR / POSTERIORE

R Suffix = High Durability Sintered Pad. **HH** Suffix = High Performance Sintered Pad. **TT** Suffix = Hard Wearing Off Road Pad. **V** Suffix = Semi Sintered Pad. **G** Suffix = Grooved Shoe.
D Suffix = Drilled Disc. **X** Suffix = Universal Left or Right Disc. **XC** Suffix = Contoured Disc. **LS** Suffix = Left/Steel Disc. **RS** = Right/Steel Disc.

BRAKE APPLICATIONS

*-2 Sets Required. † For Vee disc colours add RED, BLU, GRN, GLD, ORG suffix to part number.

⊗ - Also available as a Vintage Motorcycle Disc. ★ - EPFA available. ⚙ Disc made of Billet steel. ♦ CE solid discs for Enduro use.

Non-JAPANESE Built Motorcycles



KREIDLER

50 Flory Classic 50cc/4T/A-C	2014-2015
50 Supermoto	2014-2015
Florett 2.1 RS 50cc/2T/A-C	2014-2015
Florett City 50cc/2T/A-C	2014-2015
Galactica 3.0 LC 50cc/2T/L-C	2014-2015
Galactica 3.0 RS 50cc/2T/A-C	2014-2015
125 Enduro	2014-2015
125 Insignio	Left 2014-2015
	Right
125 Supermoto	2014-2015
250 Insignio	Left 2014-2015
	Right
e-Florett 1.00 3.0KW	2014-2015
e-Florett 3.00 4.0KW	2014-2015

KTM

SX-E 3 Electric	2021-2024
SX-E 5 Electric	2020-2024
Freeride E-SM	2015-2017
Freeride E-SX	2014-2017
Freeride E-XC	2015-2020
50 Supermoto	2006
50 SX	2006-2023
50 SX Factory Edition	2021-2022
50 SX Mini	2008-2023
50 SX Mini Adventure	2004-2007
50 SX Pro Senior LC	2002-2005
50 SX Senior Adventure	2002-2007
50 SX SXR Pro Junior/Senior/Adventure	1996-2003
60 SX	1998-1999
60 SX	1999
60 SX	2000
65 SX	1998-1999
65 SX	2000-2001
65 SX	2002-2003
65 SX	2004-2008
65 SX	2009-2023
65 SX	2023
80 MX	1986-1992
85 SX	2003-2017
85 SX	2011
85 SX	2011
85 SX	2012-2015
85 SX	2012
85 SX SW	2013-2020
85 SX BW	2016-2020
85 SX SW	2021-2024
85 SX BW	2021-2024
85 SX 1E	2003-2010
85 SX 1E	2003-2010
125 Duke	2011-2012
125 Duke	2013-2021
125 Duke 300mm Front Disc	2017-2020
125 Duke 320mm Front Disc	2021-2022
125 Duke 320mm Front Disc	2023-2024
125 GS	1983
125/175	1984
D-XC/E-XC/E-GS 125	1990-1991
D-XC/E-XC/E-GS 125	1990-1991
D-XC/E-XC/E-GS 125	1992-1993

FRONT / AVANT / VORN / FRENTE / ANTERIORE

DISC PAD CHOICES - FRONT				BRAKE DISC CHOICES - FRONT					Line #
FA, SFA, TT Pad or Brake Shoe	SFAC Carbon Scooter Pads	Speciality Pads - SXR / Vee / MXS	Sintered/HH Pads/ Grooved Shoes	Standard Replacement Discs	Contour Disc Universal Left and Right	Vee-Discs Black † See note below	CX Extreme Disc / UTVX Disc	OSX Oversize 250mm or 280mm	
SFA086	SFAC086		SFA086HH						1
FA228			FA228HH						2
SFA235	SFAC235			MD943D	MD943C	VR943			3
SFA235	SFAC235			MD943D	MD943C	VR943			4
SFA086	SFAC086		SFA086HH						5
SFA086	SFAC086		SFA086HH						6
FA228			FA228HH						7
	SFAC197		SFA197HH						8
SFA228	SFAC228		SFA228HH						9
FA228			FA228HH						10
	SFAC197		SFA197HH						11
SFA228	SFAC228		SFA228HH						12
SFA086	SFAC086		SFA086HH						13
SFA086	SFAC086		SFA086HH						14
									15
									16
FA325TT			FA325R						17
FA325TT			FA325R						18
FA612TT			FA612R						19
FA612TT			FA612R						20
FA612TT			FA612R						21
FA325TT			FA325R						22
FA325TT			FA325R						23
FA325TT			FA325R						24
FA325TT			FA325R						25
H322									26
FA325TT			FA325R						27
FA325TT			FA325R						28
H322									29
FA115TT			FA115R	MD6192D	MD6192C				30
FA115TT			FA115R	MD6192D	MD6192C				31
FA115TT			FA115R	MD6192D	MD6192C				32
FA115TT			FA115R	MD6192D	MD6192C				33
FA115TT			FA115R	MD6192D	MD6192C				34
FA357TT			FA357R	MD6192D	MD6192C				35
FA357TT			FA357R	MD6243D			MD6243CX		36
FA357TT			FA357R	MD6243D			MD6243CX		37
FA368TT		MXS368	FA368R	MD6243D			MD6243CX		38
FA047/2									39
									40
FA357TT			FA357R		MD6258C			OSX6258	41
FA357TT			FA357R		MD6258C			OSX6258	42
FA612TT			FA612R		MD6407C		MD6407CX		43
FA612TT			FA612R		MD6407C		MD6407CX		44
FA612TT			FA612R		MD6379C		MD6379CX		45
FA612TT			FA612R		MD6379C		MD6379CX		46
FA181TT		MXS181	FA181R		MD6379C		MD6379CX		47
FA181TT		MXS181	FA181R		MD6379C		MD6379CX		48
FA357TT			FA357R		MD6258C			OSX6258	49
FA357TT			FA357R		MD6258C			OSX6258	50
FA606			FA606HH★	MD849					51
FA606			FA606HH★	MD864	MD864XC				52
FA606			FA606HH★	MD8009					53
FA606			FA606HH★	MD8010					54
FA606			FA606HH★						55
									56
			812G						57
FA067TT			FA067R	MD6034D					58
FA132			FA132R	MD6034D					59
FA181TT		MXS181	FA181R	MD6034D					60

*-2 Sets Required. † For Vee disc colours add RED, BLU, GRN, GLD, ORG suffix to part number.

⊗ - Also available as a Vintage Motorcycle Disc. ★ - EPFA available. ⚙ - Disc made of Billet steel. ♦ - CE solid discs for Enduro use.

Non-JAPANESE Built Motorcycles

Line #	BRAKE DISC CHOICES - FRONT			DISC PAD CHOICES - REAR				BRAKE DISC CHOICES - REAR					
	SMX Oversize 320mm Disc Kit Front Left	Front disc bolt kit	Front Brake Line	FA, SFA, TT Pad or Brake Shoe	SFAC Carbon Scooter Pads	Speciality Pads - SXR / Vee / MXS	Sintered HH/R Pads/ Grooved Shoes	Standard Replacement Disc	Contour Disc Rear Fitment	Vee Discs CONTOUR	CX Extreme MX Race Disc / UTVX Disc	Rear disc bolt kit	Rear Brake Line
1				Y503									
2				FA197			FA197HH★						
3				Y503									
4				Y503									
5				SFA260	SFAC260		SFA260HH						
6				SFA260	SFAC260		SFA260HH						
7				FA054TT			FA054HH						
8													
9													
10				FA054TT			FA054HH						
11													
12													
13				SFA083	SFAC083		SFA083HH						
14				SFA083	SFAC083		SFA083HH						
15													
16													
17				FA325TT			FA325R						
18				FA325TT			FA325R						
19				FA602TT			FA602R						
20				FA602TT			FA602R						
21				FA602TT			FA602R						
22				FA325TT			FA325R						
23				FA325TT			FA325R						
24				FA325TT			FA325R						
25				FA325TT			FA325R						
26				H322									
27				H322									
28				H322									
29				H322									
30				873									
31				873									
32				FA337TT			FA337R	MD6216D					
33				873									
34				FA337TT			FA337R	MD6216D					
35				FA337TT			FA337R	MD6216D					
36				FA325TT			FA325R		MD6249C		MD6249CX		
37				FA357TT			FA357R		MD6249C		MD6249CX		
38				FA368TT		MXS368	FA368R						
39							814G						
40		DB603/4		FA367/2TT			FA367/2R		MD6360COS			DB603/4	
41		DB603/4		FA602TT			FA602R		MD6360C			DB603/4	
42		DB603/4		FA602TT			FA602R		MD6360C			DB603/4	
43		DB603/4		FA602TT			FA602R		MD6360C			DB603/4	
44		DB603/4		FA602TT			FA602R		MD6360C			DB603/4	
45		DB603/4		FA602TT			FA602R		MD6360C			DB603/4	
46		DB603/4		FA602TT			FA602R		MD6360C			DB603/4	
47		DB603/4		FA368TT		MXS368	FA368R		MD6407C		MD6407CX	DB603/4	
48		DB603/4		FA368TT		MXS368	FA368R		MD6407C		MD6407CX	DB603/4	
49		DB603/4		FA357TT			FA357R		MD6257C			DB603/4	
50		DB603/4		FA357TT			FA357R		MD6257C			DB603/4	
51				FA213			FA213HH★	MD850					
52				FA213			FA213HH★	MD850					
53				FA213			FA213HH★	MD850					
54				FA213			FA213HH★	MD850					
55				FA213			FA213HH★	MD850					
56							812G						
57							812G						
58		DB603/6		FA067TT			FA067R						
59				FA132			FA132R						
60		DB603/6		FA067TT			FA067R						

REAR / ARRIÈRE / HINTEN / POSTERIOR / POSTERIORE

R Suffix = High Durability Sintered Pad. **HH** Suffix = High Performance Sintered Pad. **TT** Suffix = Hard Wearing Off Road Pad. **V** Suffix = Semi Sintered Pad. **G** Suffix = Grooved Shoe.
D Suffix = Drilled Disc. **X** Suffix = Universal Left or Right Disc. **XC** Suffix = Contoured Disc. **LS** Suffix = Left/Steel Disc. **RS** = Right/Steel Disc.

BRAKE APPLICATIONS

*-2 Sets Required. † For Vee disc colours add RED, BLU, GRN, GLD, ORG suffix to part number.

⊙ - Also available as a Vintage Motorcycle Disc. ★ - EPFA available. ⚙ - Disc made of Billet steel. ♦ - CE solid discs for Enduro use.

Part numbers, prefixes, suffixes, photos and illustrations shown in this catalogue are trademarks and/or copyrights of EBC Brakes or the trademark owner A C Freeman Investments Ltd and use without express written permission of the owners is punishable by law.

Non-JAPANESE Built Motorcycles



KTM Contd.



DISC PAD CHOICES - FRONT

BRAKE DISC CHOICES - FRONT

R Suffix = High Durability Sintered Pad. **HH** Suffix = High Performance Sintered Pad. **TT** Suffix = Hard Wearing Off Road Pad. **V** Suffix = Semi Sintered Pad. **G** Suffix = Grooved Shoe.

D Suffix = Drilled Disc. **X** Suffix = Universal Left or Right Disc. **XC** Suffix = Contoured Disc. **LS** Suffix = Left/Steel Disc. **RS** = Right/Steel Disc.

FRONT / AVANT / VORN / FRENTE / ANTERIORE

		FA, SFA, TT Pad or Brake Shoe	SFAC Carbon Scooter Pads	Speciality Pads - SXR / Vee / MXS	Sintered/HH Pads/ Grooved Shoes	Standard Replacement Discs	Contour Disc Universal Left and Right	Vee-Discs Black † See note below	CX Extreme Disc / UTVX Disc	OSX Oversize 250mm or 280mm	Line #
D-XC/E-XC/E-GS 125	1992-1993	FA132			FA132R	MD6034D					1
EXC 125	1987	FA126			FA126HH						2
EXC 125	1988	FA132			FA132R						3
EXC 125	1989	FA067TT			FA067R	MD6034D					4
EXC 125	1989	FA132			FA132R	MD6034D					5
EXC 125	1995-1999	FA181TT		MXS181	FA181R	MD6032D			MD6032CX	OSX6032E	6
EXC 125	2000-2003	FA181TT		MXS181	FA181R	MD6032D			MD6032CX	OSX6032	7
EXC 125	2004-2008	FA181TT		MXS181	FA181R	MD6032D			MD6032CX	OSX6032	8
EXC 125	2009-2017	FA181TT		MXS181	FA181R	MD6032D			MD6032CX	OSX6932	9
EXC 125 Six Days	2011-2017	FA181TT		MXS181	FA181R	MD6032D			MD6032CX	OSX6932	10
EXC/EGS 125	1994	FA181TT		MXS181	FA181R	MD6032D			MD6032CX	OSX6032E	11
EXE 125	2000	FA181TT		MXS181	FA181R	MD6032D			MD6032CX	OSX6032	12
GSXC/GS 125	1985	FA047TT									13
LC2 125	1996-1998	FA181TT		MXS181	FA181R	MD6032D			MD6032CX	OSX6032	14
MX 125	1983										15
MX 125	1984				814G						16
MX 125	1987	FA126			FA126HH						17
MX 125	1988	FA132			FA132R						18
MX 125	1989	FA067TT			FA067R						19
MX 125	1989	FA132			FA132R						20
MX 125	1990-1991	FA067TT			FA067R						21
MX 125	1990-1991	FA132			FA132R						22
MX 125	1992-1993	FA181TT		MXS181	FA181R	MD6032D			MD6032CX	OSX6032E	23
MX 125	1992-1993	FA132			FA132R	MD6032D			MD6032CX	OSX6032	24
MX/MXC 125	1985	FA047TT									25
MX/MXC/GS 125	1986	FA047TT									26
RC 125	2014-2023	FA606			FA606HH★	MD864	MD864XC				27
RC125	2017-2022	FA606			FA606HH★	MD8009					28
SM 125 Supermoto	2000	FA181TT		MXS181	FA181R						29
Sting 125	1997-1999	FA095			FA095HH★						30
SX 125	1994-1999	FA181TT		MXS181	FA181R	MD6032D			MD6032CX	OSX6032	31
SX 125	2000-2003	FA181TT		MXS181	FA181R	MD6032D			MD6032CX	OSX6032E	32
SX 125	2004-2008	FA181TT		MXS181	FA181R	MD6032D			MD6032CX	OSX6032	33
SX 125	2009-2024	FA181TT		MXS181	FA181R	MD6032D			MD6032CX	OSX6932	34
XC-W 125	2017-2019	FA181TT		MXS181	FA181R	MD6032D			MD6032CX	OSX6932	35
150 EXC Tpi	2021-2024	FA181TT		MXS181	FA181R	MD6032D			MD6032CX	OSX6932	36
SX 150	2008	FA181TT		MXS181	FA181R	MD6032D			MD6032CX	OSX6032	37
SX 150	2009-2022	FA181TT		MXS181	FA181R	MD6032D			MD6032CX	OSX6932	38
XC 150	2011-2013	FA181TT		MXS181	FA181R	MD6032D			MD6032CX	OSX6932	39
XC-W 150 Tpi	2017-2021	FA181TT		MXS181	FA181R	MD6032D			MD6032CX	OSX6932	40
200 Duke	2012	FA606			FA606HH★	MD849					41
200 Duke	2013-2015	FA606			FA606HH★	MD864	MD864XC				42
200 Duke	2017-2021	FA606			FA606HH★	MD8009					43
EXC 200	2004-2008	FA181TT		MXS181	FA181R	MD6032D			MD6032CX	OSX6032	44
EXC 200 Inc Six Days	2009-2016	FA181TT		MXS181	FA181R	MD6032D			MD6032CX	OSX6932	45
EXC/EGS 200	1998-1999	FA181TT		MXS181	FA181R	MD6032D			MD6032CX	OSX6032E	46
EXC/EGS 200	2000-2003	FA181TT		MXS181	FA181R	MD6032D			MD6032CX	OSX6032	47
RC 200	2014-2015	FA606			FA606HH★	MD864	MD864XC				48
250	1982				812G						49
250 Adventure	2021-2023	FA606			FA606HH★	MD8010					50
250 Duke	2015-2020	FA606			FA606HH★	MD864	MD864XC				51
250 MX Leleu	1982										52
250 R Freeride	2014-2019	FA612TT			FA612R		MD6426C				53
250 XC/GS	1983										54
DXC/EXC 250	1990	FA132			FA132R	MD6034D					55
D-XC/E-XC/E-GS 250	1991	FA067TT			FA067R	MD6034D					56
D-XC/E-XC/E-GS 250	1991	FA132			FA132R	MD6034D					57
D-XC/E-XC/T-XC/E-GS 250	1992-1993	FA132			FA132R	MD6032D			MD6032CX	OSX6032	58
EXC 250	1995-1999	FA181TT		MXS181	FA181R	MD6032D			MD6032CX	OSX6032E	59
EXC 250	2000-2003	FA181TT		MXS181	FA181R	MD6032D			MD6032CX	OSX6032	60

*-2 Sets Required. † For Vee disc colours add RED, BLU, GRN, GLD, ORG suffix to part number.

⊗ - Also available as a Vintage Motorcycle Disc. ★ - EPFA available. ⚙ - Disc made of Billet steel. ♦ - CE solid discs for Enduro use.

Non-JAPANESE Built Motorcycles

BRAKE APPLICATIONS

Line #	BRAKE DISC CHOICES - FRONT			DISC PAD CHOICES - REAR				BRAKE DISC CHOICES - REAR					
	SMX Oversize 320mm Disc Kit Front Left	Front disc bolt kit	Front Brake Line	FA, SFA, TT Pad or Brake Shoe	SFAC Carbon Scooter Pads	Speciality Pads - SXR / Vee / MXS	Sintered HH/R Pads/ Grooved Shoes	Standard Replacement Disc	Contour Disc Rear Fitment	Vee Discs CONTOUR	CX Extreme MX Race Disc / UTVX Disc	Rear disc bolt kit	Rear Brake Line
1		DB603/6		FA067TT			FA067R						
2				FA126									
3				FA132			FA132R	MD6227D					
4		DB603/6		FA067TT			FA067R	MD6227D					
5				FA132			FA132R	MD6227D					
6	SMX6032E	DB603/6		FA208TT		MXS208	FA208R	MD6035D			MD6035CX♦	DB603/6	
7	SMX6032	DB603/6	BLM6032-1F	FA208TT		MXS208	FA208R	MD6035D			MD6035CX♦	DB603/6	
8	SMX6032	DB603/6	BLM6038-1F	FA368TT		MXS368	FA368R	MD6035D			MD6035CX♦	DB603/6	
9	SMX6932	DB603/6	BLM6038-1F	FA368TT		MXS368	FA368R	MD6035D			MD6035CX♦	DB603/6	
10	SMX6932	DB603/6		FA368TT		MXS368	FA368R	MD6035D			MD6035CX♦	DB603/6	
11	SMX6032E	DB603/6		FA208TT		MXS208	FA208R	MD6035D			MD6035CX♦	DB603/6	
12	SMX6032	DB603/6		FA208TT		MXS208	FA208R	MD6035D			MD6035CX♦	DB603/6	
13							814G						
14	SMX6032	DB603/6		FA208TT		MXS208	FA208R	MD6035D			MD6035CX♦	DB603/6	
15							812G						
16							814G						
17				FA126									
18				FA132			FA132R	MD6227D					
19				FA067TT			FA067R	MD6227D					
20				FA132			FA132R	MD6227D					
21				FA067TT			FA067R						
22				FA132			FA132R						
23	SMX6032E	DB603/6		FA067TT			FA067R						
24	SMX6032	DB603/6		FA067TT			FA067R					DB603/6	
25							814G						
26				FA047TT				MD6227D					
27				FA213			FA213HH★	MD850					
28				FA213			FA213HH★	MD850					
29				FA208TT		MXS208	FA208R	MD6035D			MD6035CX♦	DB603/6	
30		DB603/6		FA208TT			FA208R						
31	SMX6032	DB603/6		FA208TT		MXS208	FA208R	MD6035D			MD6035CX♦	DB603/6	
32	SMX6032E	DB603/6	BLM6035-1F	FA208TT		MXS208	FA208R	MD6035D			MD6035CX♦	DB603/6	
33	SMX6032	DB603/6	BLM6033-1F	FA368TT		MXS368	FA368R	MD6035D			MD6035CX♦	DB603/6	
34	SMX6932	DB603/6		FA368TT		MXS368	FA368R	MD6035D			MD6035CX♦	DB603/6	
35	SMX6932	DB603/6		FA368TT		MXS368	FA368R	MD6035D			MD6035CX♦	DB603/6	
36	SMX6932	DB603/6		FA368TT		MXS368	FA368R	MD6035D			MD6035CX♦	DB603/6	
37	SMX6032	DB603/6		FA368TT		MXS368	FA368R	MD6035D			MD6035CX♦	DB603/6	
38	SMX6932	DB603/6		FA368TT		MXS368	FA368R	MD6035D			MD6035CX♦	DB603/6	
39	SMX6932	DB603/6		FA368TT		MXS368	FA368R	MD6035D			MD6035CX♦	DB603/6	
40	SMX6932	DB603/6		FA368TT		MXS368	FA368R	MD6035D			MD6035CX♦	DB603/6	
41				FA213			FA213HH★	MD850					
42				FA213			FA213HH★	MD850					
43				FA213			FA213HH★	MD850					
44	SMX6032	DB603/6	BLM6038-1F	FA368TT		MXS368	FA368R	MD6035D			MD6035CX♦	DB603/6	
45	SMX6932	DB603/6		FA368TT		MXS368	FA368R	MD6035D			MD6035CX♦	DB603/6	
46	SMX6032E	DB603/6		FA208TT		MXS208	FA208R	MD6035D			MD6035CX♦	DB603/6	
47	SMX6032	DB603/6		FA208TT		MXS208	FA208R	MD6035D			MD6035CX♦	DB603/6	
48				FA213			FA213HH★	MD850					
49							813G						
50				FA213			FA213HH★						
51				FA213			FA213HH★	MD850					
52							813G						
53				FA602TT			FA602R		MD6360C				
54							813G						
55				FA132			FA132R						
56		DB603/6		FA067			FA067R						
57				FA132			FA132R						
58	SMX6032	DB603/6		FA067			FA067R						
59	SMX6032E	DB603/6		FA208TT		MXS208	FA208R	MD6035D			MD6035CX♦	DB603/6	
60	SMX6032	DB603/6		FA208TT		MXS208	FA208R	MD6035D			MD6035CX♦	DB603/6	

REAR / ARRIÈRE / HINTEN / POSTERIOR / POSTERIORE

R Suffix = High Durability Sintered Pad. HH Suffix = High Performance Sintered Pad. TT Suffix = Hard Wearing Off Road Pad. V Suffix = Semi Sintered Pad. G Suffix = Grooved Shoe.
D Suffix = Drilled Disc. X Suffix = Universal Left or Right Disc. XC Suffix = Contoured Disc. LS Suffix = Left/Steel Disc. RS = Right/Steel Disc.

*-2 Sets Required. † For Vee disc colours add RED, BLU, GRN, GLD, ORG suffix to part number.

⊙ - Also available as a Vintage Motorcycle Disc. ★ - EPFA available. ⚙ Disc made of Billet steel. ♦ CE solid discs for Enduro use.

Part numbers, prefixes, suffixes, photos and illustrations shown in this catalogue are trademarks and/or copyrights of EBC Brakes or the trademark owner A C Freeman Investments Ltd and use without express written permission of the owners is punishable by law.

Non-JAPANESE Built Motorcycles



KTM Contd.



		DISC PAD CHOICES - FRONT			BRAKE DISC CHOICES - FRONT						
		FA, SFA, TT Pad or Brake Shoe	SFAC Carbon Scooter Pads	Speciality Pads - SXR / Vee / MXS	Sintered/HH Pads/ Grooved Shoes	Standard Replacement Discs	Contour Disc Universal Left and Right	Vee-Discs Black † See note below	CX Extreme Disc / UTVX Disc	OSX Oversize 250mm or 280mm	Line #
EXC 250	2004-2008	FA181TT		MXS181	FA181R	MD6032D			MD6032CX	OSX6032	1
EXC 250	2009-2023	FA181TT		MXS181	FA181R	MD6032D			MD6032CX	OSX6932	2
EXC 250 Racing	2006	FA181TT		MXS181	FA181R	MD6032D			MD6032CX	OSX6032	3
EXC 250 Six Days	2011-2024	FA181TT		MXS181	FA181R				MD6433CX	OSX6932	4
EXC 250 Tpi	2018-2024	FA181TT		MXS181	FA181R	MD6032D			MD6032CX	OSX6932	5
EXC/EGS 250	1988	FA132			FA132R						6
EXC/EGS 250	1989	FA067TT			FA067R	MD6034D					7
EXC/EGS 250	1989	FA132			FA132R	MD6034D					8
EXC/EGS 250	1994	FA181TT		MXS181	FA181R	MD6032D			MD6032CX	OSX6032E	9
EXC-F 250	2006-2008	FA181TT		MXS181	FA181R	MD6032D			MD6032CX	OSX6032	10
EXC-F 250	2009-2024	FA181TT		MXS181	FA181R	MD6032D			MD6032CX	OSX6932	11
EXC-F 250 Six Days	2011-2024	FA181TT		MXS181	FA181R				MD6433CX	OSX6932	12
GS 250	1986	FA047TT									13
GSXC/GS 250	1985	FA047TT									14
MX 250	1988	FA132			FA132R						15
MX 250	1989	FA132			FA132R						16
MX 250	1989	FA067TT			FA067R						17
MX 250	1990	FA067TT			FA067R						18
MX 250	1991	FA067TT			FA067R						19
MX 250	1991	FA132			FA132R						20
MX 250	1992-1993	FA181TT		MXS181	FA181R	MD6032D			MD6032CX	OSX6032E	21
MX/EXC 250	1987	FA126			FA126HH						22
MX/MXC 250	1985	FA047TT									23
MX/MXC 250	1986	FA047TT									24
MX/MXC/GS 250	1984				814G						25
SX 250	1994-1999	FA181TT		MXS181	FA181R	MD6032D			MD6032CX	OSX6032E	26
SX 250	2000-2002	FA181TT		MXS181	FA181R	MD6032D			MD6032CX	OSX6032	27
SX 250	2003-2008	FA181TT		MXS181	FA181R	MD6032D			MD6032CX	OSX6032	28
SX 250	2009-2024	FA181TT		MXS181	FA181R	MD6032D			MD6032CX	OSX6932	29
SX-F 250	2006-2008	FA181TT		MXS181	FA181R	MD6032D			MD6032CX	OSX6032	30
SX-F 250	2009-2024	FA181TT		MXS181	FA181R	MD6032D			MD6032CX	OSX6932	31
SX-F 250 Ken Roczen Edition	2012	FA181TT		MXS181	FA181R	MD6032D			MD6032CX	OSX6932	32
SX-F 250 Prado	2020	FA181TT		MXS181	FA181R	MD6032D			MD6032CX	OSX6932	33
XC 250	2011-2017	FA181TT		MXS181	FA181R	MD6032D			MD6032CX	OSX6932	34
XC 250 Tpi	2019-2022	FA181TT		MXS181	FA181R	MD6032D			MD6032CX	OSX6932	35
XC-F 250	2011-2020	FA181TT		MXS181	FA181R	MD6032D			MD6032CX	OSX6932	36
EXC 300 EXC 300	2000-2003	FA181TT		MXS181	FA181R	MD6032D			MD6032CX	OSX6032	37
EXC 300 EXC 300	2009-2019	FA181TT		MXS181	FA181R	MD6032D			MD6032CX	OSX6932	38
EXC 300 EXC 300	2004-2008	FA181TT		MXS181	FA181R	MD6032D			MD6032CX	OSX6032	39
EXC 300 Six Days	2011-2020	FA181TT		MXS181	FA181R	MD6032D			MD6032CX	OSX6932	40
EXC 300 Tpi	2019-2024	FA181TT		MXS181	FA181R	MD6032D			MD6032CX	OSX6932	41
EXC 300 Tpi Six Days	2020-2024	FA181TT		MXS181	FA181R				MD6433CX	OSX6932	42
EXC-E 300	2008-2009	FA181TT		MXS181	FA181R	MD6032D			MD6032CX	OSX6032	43
GSXC/GS 300	1985	FA047TT									44
MX/MXC 300	1985	FA047TT									45
MX/MXC/GS 300	1986	FA047TT									46
SX 300	2023-2024	FA181TT		MXS181	FA181R	MD6032D			MD6032CX	OSX6932	47
XC 300	2011-2023	FA181TT		MXS181	FA181R	MD6032D			MD6032CX	OSX6932	48
350	1982				812G						49
350 Four Stroke	1983	FA047TT									50
350 Freeride	2012-2017	FA612TT			FA612R		MD6426C				51
DXC/EXC/EGS 350	1990-1991	FA067TT			FA067R	MD6034D					52
DXC/EXC/EGS 350	1990-1991	FA132			FA132R	MD6034D					53
EXC 350	1989	FA067TT			FA067R	MD6034D					54
EXC 350	1989	FA132			FA132R	MD6034D					55
EXC 350	1996-1997	FA181TT		MXS181	FA181R	MD6032D			MD6032CX	OSX6032E	56
EXC 350 LC4	1994-1995	FA181TT		MXS181	FA181R	MD6032D			MD6032CX	OSX6032E	57
EXC-F 350	2011-2024	FA181TT		MXS181	FA181R	MD6032D			MD6032CX	OSX6932	58
EXC-F 350 Factory Edition	2022	FA181TT		MXS181	FA181R				MD6433CX	OSX6932	59
EXC-F 350 Six Days	2012-2024	FA181TT		MXS181	FA181R				MD6433CX	OSX6932	60

FRONT / AVANT / VORN / FRENTE / ANTERIORE

R Suffix = High Durability Sintered Pad. HH Suffix = High Performance Sintered Pad. TT Suffix = Hard Wearing Off Road Pad. V Suffix = Semi Sintered Pad. G Suffix = Grooved Shoe.
D Suffix = Drilled Disc. X Suffix = Universal Left or Right Disc. XC Suffix = Contoured Disc. LS Suffix = Left/Steel Disc. RS = Right/Steel Disc.

*-2 Sets Required. † For Vee disc colours add RED, BLU, GRN, GLD, ORG suffix to part number.

⊗ - Also available as a Vintage Motorcycle Disc. ★ - EPFA available. ⚙ Disc made of Billet steel. ♦ CE solid discs for Enduro use.

Non-JAPANESE Built Motorcycles

BRAKE APPLICATIONS

Line #	BRAKE DISC CHOICES - FRONT			DISC PAD CHOICES - REAR				BRAKE DISC CHOICES - REAR					
	SMX Oversize 320mm Disc Kit Front Left	Front disc bolt kit	Front Brake Line	FA, SFA, TT Pad or Brake Shoe	SFAC Carbon Scooter Pads	Speciality Pads - SXR / Vee / MXS	Sintered HH/R Pads/ Grooved Shoes	Standard Replacement Disc	Contour Disc Rear Fitment	Vee Discs CONTOUR	CX Extreme MX Race Disc / UTVX Disc	Rear disc bolt kit	Rear Brake Line
1	SMX6032	DB603/6	BLM6038-1F	FA368TT		MXS368	FA368R	MD6035D			MD6035CX◆	DB603/6	
2	SMX6932	DB603/6	BLM6038-1F	FA368TT		MXS368	FA368R	MD6035D			MD6035CX◆	DB603/6	
3	SMX6032	DB603/6		FA368TT		MXS368	FA368R	MD6035D			MD6035CX◆	DB603/6	
4	SMX6932	DB603/6		FA368TT		MXS368	FA368R	MD6035D			MD6035CX◆	DB603/6	
5	SMX6932	DB603/6		FA368TT		MXS368	FA368R	MD6035D			MD6035CX◆	DB603/6	
6				FA132			FA132R	MD6227D					
7		DB603/6		FA067			FA067R	MD6227D					
8				FA132			FA132R	MD6227D					
9	SMX6032E	DB603/6		FA208TT		MXS208	FA208R	MD6035D			MD6035CX◆	DB603/6	
10	SMX6032	DB603/6		FA368TT		MXS368	FA368R	MD6035D			MD6035CX◆	DB603/6	
11	SMX6932	DB603/6		FA368TT		MXS368	FA368R	MD6035D			MD6035CX◆	DB603/6	
12	SMX6932	DB603/6		FA368TT		MXS368	FA368R	MD6035D			MD6035CX◆	DB603/6	
13				FA047TT				MD6227D					
14							814G						
15				FA132			FA132R	MD6227D					
16				FA132			FA132R	MD6227D					
17				FA067TT			FA067R	MD6227D					
18				FA067TT			FA067R						
19				FA067TT			FA067R						
20				FA132			FA132R						
21	SMX6032E	DB603/6		FA067TT			FA067R						
22				FA126									
23							814G						
24				FA047TT				MD6227D					
25							814G						
26	SMX6032E	DB603/6	BLM6036-1F	FA208TT		MXS208	FA208R	MD6035D			MD6035CX◆	DB603/6	
27	SMX6032	DB603/6	BLM6035-1F	FA208TT		MXS208	FA208R	MD6035D			MD6035CX◆	DB603/6	
28	SMX6032	DB603/6		FA368TT		MXS368	FA368R	MD6035D			MD6035CX◆	DB603/6	
29	SMX6932	DB603/6		FA368TT		MXS368	FA368R	MD6035D			MD6035CX◆	DB603/6	
30	SMX6032	DB603/6		FA368TT		MXS368	FA368R	MD6035D			MD6035CX◆	DB603/6	
31	SMX6932	DB603/6		FA368TT		MXS368	FA368R	MD6035D			MD6035CX◆	DB603/6	
32	SMX6932	DB603/6		FA368TT		MXS368	FA368R	MD6035D			MD6035CX◆	DB603/6	
33	SMX6932	DB603/6		FA368TT		MXS368	FA368R	MD6035D			MD6035CX◆	DB603/6	
34	SMX6932	DB603/6		FA368TT		MXS368	FA368R	MD6035D			MD6035CX◆	DB603/6	
35	SMX6932	DB603/6		FA368TT		MXS368	FA368R	MD6035D			MD6035CX◆	DB603/6	
36	SMX6932	DB603/6		FA368TT		MXS368	FA368R	MD6035D			MD6035CX◆	DB603/6	
37	SMX6032	DB603/6	BLM6038-1F	FA208TT		MXS208	FA208R	MD6035D			MD6035CX◆	DB603/6	
38	SMX6932	DB603/6	BLM6038-1F	FA368TT		MXS368	FA368R	MD6035D			MD6035CX◆	DB603/6	
39	SMX6032	DB603/6		FA368TT		MXS368	FA368R	MD6035D			MD6035CX◆	DB603/6	
40	SMX6932	DB603/6		FA368TT		MXS368	FA368R	MD6035D			MD6035CX◆	DB603/6	
41	SMX6932	DB603/6		FA368TT		MXS368	FA368R	MD6035D			MD6035CX◆	DB603/6	
42	SMX6932	DB603/6		FA368TT		MXS368	FA368R	MD6035D			MD6035CX◆	DB603/6	
43	SMX6032	DB603/6		FA368TT		MXS368	FA368R	MD6035D			MD6035CX◆	DB603/6	
44							814G						
45							814G						
46				FA047TT				MD6227D					
47	SMX6932	DB603/6		FA368TT		MXS368	FA368R	MD6035D			MD6035CX◆	DB603/6	
48	SMX6932	DB603/6		FA368TT		MXS368	FA368R	MD6035D			MD6035CX◆	DB603/6	
49							813G						
50							813G						
51				FA602TT			FA602R		MD6360C				
52		DB603/6		FA067TT			FA067R						
53				FA132			FA132R						
54		DB603/6		FA067TT			FA067R	MD6227D					
55				FA132			FA132R	MD6227D					
56	SMX6032E	DB603/6		FA208TT		MXS208	FA208R	MD6035D			MD6035CX◆	DB603/6	
57	SMX6032E	DB603/6		FA208TT		MXS208	FA208R	MD6371D	MD6371C				
58	SMX6932	DB603/6		FA368TT		MXS368	FA368R	MD6035D			MD6035CX◆	DB603/6	
59	SMX6932	DB603/6		FA368TT		MXS368	FA368R	MD6035D			MD6035CX◆	DB603/6	
60	SMX6932	DB603/6		FA368TT		MXS368	FA368R	MD6035D			MD6035CX◆	DB603/6	

REAR / ARRIÈRE / HINTEN / POSTERIORE

R Suffix = High Durability Sintered Pad. **HH** Suffix = High Performance Sintered Pad. **TT** Suffix = Hard Wearing Off Road Pad. **V** Suffix = Semi Sintered Pad. **G** Suffix = Grooved Shoe.
D Suffix = Drilled Disc. **X** Suffix = Universal Left or Right Disc. **XC** Suffix = Contoured Disc. **LS** Suffix = Left/Steel Disc. **RS** = Right/Steel Disc.

*-2 Sets Required. † For Vee disc colours add RED, BLU, GRN, GLD, ORG suffix to part number.

⊙ - Also available as a Vintage Motorcycle Disc. ★ - EPFA available. Ⓢ Disc made of Billet steel. ◆ CE solid discs for Enduro use.

Part numbers, prefixes, suffixes, photos and illustrations shown in this catalogue are trademarks and/or copyrights of EBC Brakes or the trademark owner A C Freeman Investments Ltd and use without express written permission of the owners is punishable by law.

Non-JAPANESE Built Motorcycles



KTM Contd.



DISC PAD CHOICES - FRONT

BRAKE DISC CHOICES - FRONT

R Suffix = High Durability Sintered Pad. **HH** Suffix = High Performance Sintered Pad. **TT** Suffix = Hard Wearing Off Road Pad. **V** Suffix = Semi Sintered Pad. **G** Suffix = Grooved Shoe.

D Suffix = Drilled Disc. **X** Suffix = Universal Left or Right Disc. **XC** Suffix = Contoured Disc. **LS** Suffix = Left/Steel Disc. **RS** = Right/Steel Disc.

FRONT / AVANT / VORN / FRENTE / ANTERIORE

			FA, SFA, TT Pad or Brake Shoe	SFAC Carbon Scooter Pads	Speciality Pads - SXR / Vee / MXS	Sintered/HH Pads/ Grooved Shoes	Standard Replacement Discs	Contour Disc Universal Left and Right	Vee-Discs Black † See note below	CX Extreme Disc / UTVX Disc	OSX Oversize 250mm or 280mm	Line #
EXC-F 350 WESS Edition	2021-2022		FA181TT		MXS181	FA181R				MD6433CX	OSX6932	1
MX 350	1989		FA067TT			FA067R						2
MX 350	1989		FA132			FA132R						3
MX 350	1990-1991		FA067TT			FA067R						4
MX 350	1990-1991		FA132			FA132R						5
MX/EXC 350	1987		FA126			FA126HH						6
MX/EXC/EGS 350	1988		FA132			FA132R						7
MX/MXC/GS 350	1986		FA047TT									8
SX-F 350	2011-2024		FA181TT		MXS181	FA181R	MD6032D			MD6032CX	OSX6932	9
SX-F 350 Tony Cairoli Edition	2012		FA181TT		MXS181	FA181R	MD6032D			MD6032CX	OSX6932	10
XC-F 350 Inc XCF-W	2012-2021		FA181TT		MXS181	FA181R	MD6032D			MD6032CX	OSX6932	11
EXC 360	1996-1997		FA181TT		MXS181	FA181R	MD6032D			MD6032CX	OSX6032E	12
SX 360	1996-1997		FA181TT		MXS181	FA181R	MD6032D			MD6032CX	OSX6032E	13
EXC 380	1998-1999		FA181TT		MXS181	FA181R	MD6032D			MD6032CX	OSX6032E	14
EXC 380	2000-2003		FA181TT		MXS181	FA181R	MD6032D			MD6032CX	OSX6032	15
SX 380	1998-1999		FA181TT		MXS181	FA181R	MD6032D			MD6032CX	OSX6032E	16
SX 380	2000-2003		FA181TT		MXS181	FA181R	MD6032D			MD6032CX	OSX6032	17
390 Adventure	2019-2024		FA606			FA606HH★	MD8010					18
390 Duke	2013-2017		FA606			FA606HH★	MD864	MD864XC				19
390 Duke 320mm Disc	2018-2023		FA606			FA606HH★	MD8010					20
390 Duke	2024		FA606			FA606HH★						21
RC 390	2014-2016		FA606			FA606HH★	TBC					22
RC 390	2014-2016		FA606			FA606HH★	MD8009					23
RC 390	2017-2023		FA606			FA606HH★	MD8010					24
Duke 400 LC4	1994-1998		FA095			FA095HH★	MD6199D	MD6199C				25
EGS 400/EGS-E/LSE LC4 Enduro	1996-1999		FA181TT		MXS181	FA181R	MD6130D					26
EXC 400 Racing	2000		FA181TT		MXS181	FA181R	MD6032D			MD6032CX	OSX6032	27
EXC 400 Racing	2004-2007		FA181TT		MXS181	FA181R	MD6032D			MD6032CX	OSX6032	28
EXC/EGS 400 EGS 400	2000-2003		FA181TT		MXS181	FA181R	MD6032D			MD6032CX	OSX6032	29
LC4-E 400 Enduro	2000-2001		FA181TT		MXS181	FA181R	MD6130D					30
SC 400 Supercompetition LC4	1996-1999		FA181TT		MXS181	FA181R	MD6032D			MD6032CX	OSX6032E	31
SX 400	2000-2002		FA181TT		MXS181	FA181R	MD6032D			MD6032CX	OSX6032	32
420 GS	1985					812G						33
EXC 440	1994-1995		FA181TT		MXS181	FA181R	MD6032D			MD6032CX	OSX6032	34
SX 440	1994-1995		FA181TT		MXS181	FA181R	MD6032D			MD6032CX	OSX6032E	35
450 Rally	2017-2023					FA209/2HH★	MD6130D			MD6130CX		36
450 SX-F Quad	2009					FA462R*		MD6336C*				37
EXC 450	2003		FA181TT		MXS181	FA181R	MD6032D			MD6032CX	OSX6032	38
EXC 450	2004-2008		FA181TT		MXS181	FA181R	MD6032D			MD6032CX	OSX6032	39
EXC 450 Racing	2006-2007		FA181TT		MXS181	FA181R	MD6032D			MD6032CX	OSX6032	40
EXC-F 450	2009-2024		FA181TT		MXS181	FA181R	MD6032D			MD6032CX	OSX6932	41
EXC-F 450 Six Days	2011-2024		FA181TT		MXS181	FA181R				MD6433CX	OSX6932	42
EXC-R 450	2008		FA181TT		MXS181	FA181R	MD6032D			MD6032CX	OSX6032	43
SMR 450	2004				MXS406		MD6270D	MD6270C				44
SMR 450	2005-2006				MXS405		MD6270D	MD6270C				45
SMR 450	2007-2013		FA433/4			FA433/4HH★		MD6313C				46
SMR 450	2014-2022					FA447HH★		MD6270C				47
SX 450	2003-2006		FA181TT		MXS181	FA181R	MD6032D			MD6032CX	OSX6032	48
SX-F 450	2007-2008		FA181TT		MXS181	FA181R	MD6032D			MD6032CX	OSX6032	49
SX-F 450	2009-2024		FA181TT		MXS181	FA181R	MD6032D			MD6032CX	OSX6932	50
SX-F 450 Cairoli Edition	2021-2022		FA181TT		MXS181	FA181R	MD6032D			MD6032CX	OSX6932	51
XC 450 Quad	2008-2010					FA462R*		MD6336C*				52
495	1982					812G						53
495 MX Leleu	1982											54
500 XCF-W	2021		FA181TT		MXS181	FA181R	MD6032D					55
EXC 500 Six Days	2012-2024		FA181TT		MXS181	FA181R				MD6433CX	OSX6932	56
EXC-F 500	2012-2024		FA181TT		MXS181	FA181R	MD6032D			MD6032CX	OSX6932	57
LC-4 EXC 500	1990-1991		FA067TT			FA067R	MD6034D					58
LC-4 EXC 500	1990-1991		FA132			FA132R	MD6034D					59
LC-4 MX 500	1990-1991		FA067TT			FA067R						60

*-2 Sets Required. † For Vee disc colours add RED, BLU, GRN, GLD, ORG suffix to part number.

⊗ - Also available as a Vintage Motorcycle Disc. ★ - EPFA available. ⚙ - Disc made of Billet steel. ♦ - CE solid discs for Enduro use.

Non-JAPANESE Built Motorcycles

Line #	BRAKE DISC CHOICES - FRONT			DISC PAD CHOICES - REAR				BRAKE DISC CHOICES - REAR					
	SMX Oversize 320mm Disc Kit Front Left	Front disc bolt kit	Front Brake Line	FA, SFA, TT Pad or Brake Shoe	SFAC Carbon Scooter Pads	Speciality Pads - SXR / Vee / MXS	Sintered HH/R Pads/ Grooved Shoes	Standard Replacement Disc	Contour Disc Rear Fitment	Vee Discs CONTOUR	CX Extreme MX Race Disc / UTVX Disc	Rear disc bolt kit	Rear Brake Line
1	SMX6932	DB603/6		FA368TT		MXS368	FA368R	MD6035D			MD6035CX♦	DB603/6	
2				FA067TT			FA067R	MD6227D					
3				FA132			FA132R	MD6227D					
4				FA067TT			FA067R						
5				FA132			FA132R						
6				FA126									
7				FA132			FA132R	MD6227D					
8				FA047TT				MD6227D					
9	SMX6932	DB603/6		FA368TT		MXS368	FA368R	MD6035D			MD6035CX♦	DB603/6	
10	SMX6932	DB603/6		FA368TT		MXS368	FA368R	MD6035D			MD6035CX♦	DB603/6	
11	SMX6932	DB603/6		FA368TT		MXS368	FA368R	MD6035D			MD6035CX♦	DB603/6	
12	SMX6032E	DB603/6		FA208TT		MXS208	FA208R	MD6035D			MD6035CX♦	DB603/6	
13	SMX6032E	DB603/6	BLM6036-1F	FA208TT		MXS208	FA208R	MD6035D			MD6035CX♦	DB603/6	
14	SMX6032E	DB603/6		FA208TT		MXS208	FA208R	MD6035D			MD6035CX♦	DB603/6	
15	SMX6032	DB603/6	BLM6032-1F	FA208TT		MXS208	FA208R	MD6035D			MD6035CX♦	DB603/6	
16	SMX6032E	DB603/6	BLM6036-1F	FA208TT		MXS208	FA208R	MD6035D			MD6035CX♦	DB603/6	
17	SMX6032	DB603/6	BLM6035-1F	FA208TT		MXS208	FA208R	MD6035D			MD6035CX♦	DB603/6	
18				FA213			FA213HH★	MD850					
19				FA213			FA213HH★	MD850					
20				FA213			FA213HH★	MD850					
21				FA213			FA213HH★	MD850					
22				FA213			FA213HH★	MD850					
23				FA213			FA213HH★	MD850					
24				FA213			FA213HH★	MD850					
25				FA208TT		MXS208	FA208R	MD6371D	MD6371C				
26		DB603/6		FA208TT		MXS208	FA208R	MD6371D				DB603/6	
27	SMX6032	DB603/6		FA208TT		MXS208	FA208R	MD6035D			MD6035CX♦	DB603/6	
28	SMX6032	DB603/6		FA368TT		MXS368	FA368R	MD6035D			MD6035CX♦	DB603/6	
29	SMX6032	DB603/6		FA208TT		MXS208	FA208R	MD6371D	MD6371C			DB603/6	
30		DB603/6		FA208TT		MXS208	FA208R	MD6035D			MD6035CX♦	DB603/6	
31	SMX6032E	DB603/6		FA208TT		MXS208	FA208R	MD6371D	MD6371C				
32	SMX6032	DB603/6		FA208TT		MXS208	FA208R	MD6035D			MD6035CX♦	DB603/6	
33							812G						
34	SMX6032	DB603/6		FA208TT		MXS208	FA208R	MD6371D	MD6371C				
35	SMX6032E	DB603/6		FA208TT		MXS208	FA208R	MD6371D	MD6371C				
36				FA368TT		MXS368	FA368R	MD6269D	MD6269C		MD6269CX♦	DB603/6	
37							FA463R	MD6337D					
38	SMX6032	DB603/6	BLM6038-1F	FA208TT		MXS208	FA208R	MD6035D			MD6035CX♦	DB603/6	
39	SMX6032	DB603/6	BLM6038-1F	FA368TT		MXS368	FA368R	MD6035D			MD6035CX♦	DB603/6	
40	SMX6032	DB603/6		FA368TT		MXS368	FA368R	MD6035D			MD6035CX♦	DB603/6	
41	SMX6932	DB603/6	BLM6038-1F	FA368TT		MXS368	FA368R	MD6035D			MD6035CX♦	DB603/6	
42	SMX6932	DB603/6		FA368TT		MXS368	FA368R	MD6035D			MD6035CX♦	DB603/6	
43	SMX6032	DB603/6		FA368TT		MXS368	FA368R	MD6035D			MD6035CX♦	DB603/6	
44				FA368TT		MXS368	FA368R	MD6035D			MD6035CX♦	DB603/6	
45				FA368TT		MXS368	FA368R	MD6035D			MD6035CX♦	DB603/6	
46				FA368TT		MXS368	FA368R	MD6035D			MD6035CX♦	DB603/6	
47						MXS368	FA368R	MD6035D			MD6035CX♦	DB603/6	
48	SMX6032	DB603/6		FA368TT		MXS368	FA368R	MD6035D			MD6035CX♦	DB603/6	
49	SMX6032	DB603/6		FA368TT		MXS368	FA368R	MD6035D			MD6035CX♦	DB603/6	
50	SMX6932	DB603/6		FA368TT		MXS368	FA368R	MD6035D			MD6035CX♦	DB603/6	
51	SMX6932	DB603/6		FA368TT		MXS368	FA368R	MD6035D			MD6035CX♦	DB603/6	
52							FA463R	MD6337D					
53							813G						
54							813G						
55		DB603/6		FA368TT		MXS368	FA368R	MD6035D			MD6035CX♦	DB603/6	
56	SMX6932	DB603/6		FA368TT		MXS368	FA368R	MD6035D			MD6035CX♦	DB603/6	
57	SMX6932	DB603/6		FA368TT		MXS368	FA368R	MD6035D			MD6035CX♦	DB603/6	
58		DB603/6		FA067TT			FA067R	MD6035D			MD6035CX♦	DB603/6	
59		DB603/6		FA132			FA132R	MD6035D			MD6035CX♦	DB603/6	
60				FA067TT			FA067R	MD6035D			MD6035CX♦	DB603/6	

REAR / ARRIÈRE / HINTEN / POSTERIORE

R Suffix = High Durability Sintered Pad. **HH** Suffix = High Performance Sintered Pad. **TT** Suffix = Hard Wearing Off Road Pad. **V** Suffix = Semi Sintered Pad. **G** Suffix = Grooved Shoe.
D Suffix = Drilled Disc. **X** Suffix = Universal Left or Right Disc. **XC** Suffix = Contoured Disc. **LS** Suffix = Left/Steel Disc. **RS** = Right/Steel Disc.

BRAKE APPLICATIONS

*-2 Sets Required. † For Vee disc colours add RED, BLU, GRN, GLD, ORG suffix to part number.
 Ⓢ - Also available as a Vintage Motorcycle Disc. ★ - EPFA available. Ⓢ - Disc made of Billet steel. ♦ - CE solid discs for Enduro use.

Non-JAPANESE Built Motorcycles



KTM Contd.



DISC PAD CHOICES - FRONT

BRAKE DISC CHOICES - FRONT

R Suffix = High Durability Sintered Pad. HH Suffix = High Performance Sintered Pad. TT Suffix = Hard Wearing Off Road Pad. V Suffix = Semi Sintered Pad. G Suffix = Grooved Shoe.

D Suffix = Drilled Disc. X Suffix = Universal Left or Right Disc. XC Suffix = Contoured Disc. LS Suffix = Left/Steel Disc. RS = Right/Steel Disc.

FRONT / AVANT / VORN / FRENTE / ANTERIORE

		FA, SFA, TT Pad or Brake Shoe	SFAC Carbon Scooter Pads	Speciality Pads - SXR / Vee / MXS	Sintered/HH Pads/ Grooved Shoes	Standard Replacement Discs	Contour Disc Universal Left and Right	Vee-Discs Black † See note below	CX Extreme Disc / UTVX Disc	OSX Oversize 250mm or 280mm	Line #
LC-4 MX 500	1990-1991	FA132			FA132R						1
LC-4 MX/EXC 500	1989	FA132			FA132R	MD6034D					2
MX 500	1992-1994	FA181TT		MXS181	FA181R						3
MX 500	1995	FA181TT		MXS181	FA181R						4
MX/MXC/XC-GS 500	1985	FA047TT									5
505 SX-F Quad	2009-2012				FA462R*		MD6336C*				6
SX-F 505	2007-2008	FA181TT		MXS181	FA181R	MD6032D			MD6032CX	OSX6032	7
SX-F 505	2009	FA181TT		MXS181	FA181R	MD6032D			MD6032CX	OSX6932	8
EXC 520	2001-2003	FA181TT		MXS181	FA181R	MD6032D			MD6032CX	OSX6032	9
SX 520	2001-2003	FA181TT		MXS181	FA181R	MD6032D			MD6032CX	OSX6032	10
EXC 525	2003	FA181TT		MXS181	FA181R	MD6032D			MD6032CX	OSX6032	11
EXC 525	2004-2005	FA181TT		MXS181	FA181R	MD6032D			MD6032CX	OSX6032	12
EXC 525	2006	FA181TT		MXS181	FA181R	MD6032D			MD6032CX	OSX6032	13
MXC 525 Desert Racing	2003	FA181TT		MXS181	FA181R	MD6032D			MD6032CX	OSX6032	14
MXC 525 Desert Racing	2004	FA181TT		MXS181	FA181R	MD6032D			MD6032CX	OSX6032	15
SMR 525	2004			MXS406		MD6270D	MD6270C				16
SMR 525	2005			MXS405		MD6270D	MD6270C				17
SX 525	2003-2006	FA181TT		MXS181	FA181R	MD6032D			MD6032CX	OSX6032	18
XC 525	2006-2007	FA181TT		MXS181	FA181R	MD6032D			MD6032CX	OSX6032	19
XC 525 Quad	2008-2012				FA462R*		MD6336C*				20
EXC 530	2009-2010	FA181TT		MXS181	FA181R	MD6032D			MD6032CX	OSX6032	21
EXC 530 Six Days	2011	FA181TT		MXS181	FA181R	MD6032D			MD6032CX	OSX6932	22
EXC-R 530	2008	FA181TT		MXS181	FA181R	MD6032D			MD6032CX	OSX6032	23
MXC 550	1996	FA181TT		MXS181	FA181R	MD6032D			MD6032CX	OSX6032	24
SMR 560	2007	FA433/4			FA433/4HH★						25
SMR 560 Supermoto	2006			MXS405							26
LC4 EXC 600	1990-1991	FA067TT			FA067R	MD6034D					27
LC4 EXC 600	1990-1991	FA132			FA132R	MD6034D					28
LC4 EXC 600	1992-1993	FA132			FA132R	MD6034D					29
LC4 MX 600	1990-1991	FA067TT			FA067R						30
LC4 MX 600	1990-1991	FA132			FA132R						31
LC4 MX/EXC 600	1989	FA132			FA132R	MD6034D					32
Duke 620 LC4	1994-1998	FA095			FA095HH★	MD6199D	MD6199C				33
EGS 620 Enduro/EGS-E/LSE	1996-1999	FA181TT		MXS181	FA181R	MD6130D					34
EGS-E 620 Adventure/Rallye	1999	FA181TT		MXS181	FA181R	MD6032D			MD6032CX	OSX6032	35
LC4 620 SC Supermoto	2000	FA181TT		MXS181	FA181R	MD6199D	MD6199C				36
SC 620 Supercompetition	1996-2000	FA181TT		MXS181	FA181R	MD6032D			MD6032CX	OSX6032	37
SX 620	1996-1999	FA181TT		MXS181	FA181R	MD6032D			MD6032CX	OSX6032	38
SX 620 EXC/EGS	1994	FA181TT		MXS181	FA181R	MD6032D			MD6032CX	OSX6032	39
SX 620 EXC/EGS	1995	FA181TT		MXS181	FA181R	MD6032D			MD6032CX	OSX6032	40
LC4 625 SC Supercompetition	2002	FA181TT		MXS181	FA181R	MD6032D			MD6032CX	OSX6032	41
LC4 625 SC Supermoto	2002	FA181TT		MXS181	FA181R	MD6199D	MD6199C				42
SMC 625	2004-2006	FA244			FA244HH★		MD6199C				43
SXC 625	2003-2006	FA181TT		MXS181	FA181R	MD6032D			MD6032CX	OSX6032	44
Duke II 640	1999-2002	FA244			FA244HH★	MD6199D	MD6199C				45
Duke II 640	2003-2007	FA244			FA244HH★	MD633X	MD633XC				46
Duke-E 640	1998	FA095			FA095HH★	MD6199D	MD6199C				47
LC4 640 Adventure	1999-2002	FA181TT		MXS181	FA181R	MD6199D	MD6199C				48
LC4 640 Adventure	2003	FA181TT*		MXS181*	FA181R*	MD6199D*	MD6199C*				49
LC4 640 Adventure	2004	FA209/2*			FA209/2HH*★	MD6266D*					50
LC4 640 Adventure	2005-2007	FA209/2*			FA209/2HH*★	MD6266D*					51
LC4-E 640 Enduro	2000-2004	FA181TT		MXS181	FA181R	MD6130D					52
LC4-E 640 Supermoto	1999-2002	FA181TT		MXS181	FA181R	MD6199D	MD6199C				53
LC4-E 640 Supermoto	2003	FA095			FA095HH★	MD6199D	MD6199C				54
LC4-E 640 Supermoto	2004-2006	FA244			FA244HH★	MD6199D	MD6199C				55
SMC 640 LC4	2005	FA244			FA244HH★						56
SMC 660 Supermoto	2003-2004	FA095			FA095HH★						57
SMC 660 Supermoto	2005-2006	FA244			FA244HH★						58
690 Duke	2008-2011				FA322/4HH★	MD614X	MD614XC	VR614BLK†			59
690 Duke	2010-2011				FA322/4HH★	MD614X	MD614XC	VR614BLK†			60

*-2 Sets Required. † For Vee disc colours add RED, BLU, GRN, GLD, ORG suffix to part number.

⊗ - Also available as a Vintage Motorcycle Disc. ★ - EPFA available. ⚙ - Disc made of Billet steel. ♦ - CE solid discs for Enduro use.

Non-JAPANESE Built Motorcycles

BRAKE APPLICATIONS

Line #	BRAKE DISC CHOICES - FRONT			DISC PAD CHOICES - REAR				BRAKE DISC CHOICES - REAR					
	SMX Oversize 320mm Disc Kit Front Left	Front disc bolt kit	Front Brake Line	FA, SFA, TT Pad or Brake Shoe	SFAC Carbon Scooter Pads	Speciality Pads - SXR / Vee / MXS	Sintered HH/R Pads/ Grooved Shoes	Standard Replacement Disc	Contour Disc Rear Fitment	Vee Discs CONTOUR	CX Extreme MX Race Disc / UTVX Disc	Rear disc bolt kit	Rear Brake Line
1		DB603/6		FA132			FA132R	MD6035D			MD6035CX◆	DB603/6	
2		DB603/6		FA132			FA132R					DB603/6	
3				FA067TT			FA067R						
4		DB603/6		FA208TT		MXS208	FA208R					DB603/6	
5		DB603/6					814G					DB603/6	
6		DB603/6					FA463R	MD6337D					
7	SMX6032	DB603/6		FA368TT		MXS368	FA368R	MD6035D			MD6035CX◆	DB603/6	
8	SMX6932	DB603/6		FA368TT		MXS368	FA368R	MD6035D			MD6035CX◆	DB603/6	
9	SMX6032	DB603/6	BLM6032-1F	FA208TT		MXS208	FA208R	MD6035D			MD6035CX◆	DB603/6	
10	SMX6032	DB603/6	BLM6035-1F	FA208TT		MXS208	FA208R	MD6035D			MD6035CX◆	DB603/6	
11	SMX6032	DB603/6		FA208TT		MXS208	FA208R	MD6035D			MD6035CX◆	DB603/6	
12	SMX6032	DB603/6	BLM6033-1F	FA368TT		MXS368	FA368R	MD6035D			MD6035CX◆	DB603/6	
13	SMX6032	DB603/6		FA368TT		MXS368	FA368R	MD6035D			MD6035CX◆	DB603/6	
14	SMX6032	DB603/6		FA208TT		MXS208	FA208R	MD6035D			MD6035CX◆	DB603/6	
15	SMX6032	DB603/6		FA208TT		MXS208	FA208R	MD6035D			MD6035CX◆	DB603/6	
16				FA368TT		MXS368	FA368R	MD6035D			MD6035CX◆	DB603/6	
17				FA368TT		MXS368	FA368R	MD6035D			MD6035CX◆	DB603/6	
18	SMX6032	DB603/6		FA368TT		MXS368	FA368R	MD6035D			MD6035CX◆	DB603/6	
19	SMX6032	DB603/6		FA368TT		MXS368	FA368R	MD6035D			MD6035CX◆	DB603/6	
20		DB603/6					FA463R	MD6337D					
21	SMX6032	DB603/6	BLM6038-1F	FA368TT		MXS368	FA368R	MD6035D			MD6035CX◆	DB603/6	
22	SMX6932	DB603/6		FA368TT		MXS368	FA368R	MD6035D			MD6035CX◆	DB603/6	
23	SMX6032	DB603/6	BLM6038-1F	FA368TT		MXS368	FA368R	MD6035D			MD6035CX◆	DB603/6	
24	SMX6032	DB603/6		FA208TT		MXS208	FA208R	MD6035D			MD6035CX◆	DB603/6	
25				FA368TT		MXS368	FA368R	MD6035D			MD6035CX◆	DB603/6	
26				FA368TT		MXS368	FA368R	MD6035D			MD6035CX◆	DB603/6	
27				FA067TT			FA067R	MD6371D				DB603/6	
28				FA132			FA132R	MD6371D				DB603/6	
29				FA067TT			FA067R	MD6371D				DB603/6	
30				FA067TT			FA067R	MD6371D				DB603/6	
31				FA132			FA132R	MD6371D				DB603/6	
32				FA132			FA132R						
33		DB603/6		FA208TT		MXS208	FA208R	MD6371D	MD6371C			DB603/6	
34				FA208TT		MXS208	FA208R	MD6371D				DB603/6	
35	SMX6032	DB603/6		FA208TT		MXS208	FA208R	MD6371D	MD6371C			DB603/6	
36				FA208TT		MXS208	FA208R	MD6371D	MD6371C			DB603/6	
37	SMX6032	DB603/6		FA208TT		MXS208	FA208R	MD6371D	MD6371C			DB603/6	
38	SMX6032	DB603/6	BLM6032-1F	FA208TT		MXS208	FA208R	MD6371D	MD6371C			DB603/6	
39	SMX6032	DB603/6		FA067TT			FA067R	MD6371D	MD6371C			DB603/6	
40	SMX6032E	DB603/6		FA208TT		MXS208	FA208R	MD6371D	MD6371C			DB603/6	
41	SMX6032	DB603/6		FA208TT		MXS208	FA208R	MD6371D	MD6371C			DB603/6	
42			BLM6038-1F	FA208TT		MXS208	FA208R	MD6371D	MD6371C			DB603/6	
43				FA208TT		MXS208	FA208R	MD6371D	MD6371C			DB603/6	
44	SMX6032	DB603/6	BLM6038-1F	FA208TT		MXS208	FA208R	MD6371D	MD6371C			DB603/6	
45				FA213			FA213HH★	MD6371D	MD6371C			DB603/6	
46				FA213			FA213HH★	MD6371D	MD6371C			DB603/6	
47				FA213			FA213HH★	MD6371D	MD6371C			DB603/6	
48		DB603/6		FA208TT		MXS208	FA208R	MD6371D	MD6371C			DB603/6	
49		DB603/6		FA208TT		MXS208	FA208R	MD6371D	MD6371C			DB603/6	
50		DB603/6		FA208TT		MXS208	FA208R	MD6371D	MD6371C			DB603/6	
51		DB603/6		FA208TT		MXS208	FA208R	MD6371D	MD6371C			DB603/6	
52				FA208TT		MXS208	FA208R	MD6371D				DB603/6	
53				FA208TT		MXS208	FA208R	MD6371D	MD6371C			DB603/6	
54				FA208TT		MXS208	FA208R	MD6371D	MD6371C			DB603/6	
55				FA208TT		MXS208	FA208R	MD6371D	MD6371C			DB603/6	
56		DB603/6		FA208TT		MXS208	FA208R	MD6371D				DB603/6	
57		DB603/6		FA208TT		MXS208	FA208R	MD6371D				DB603/6	
58		DB603/6		FA208TT		MXS208	FA208R	MD6371D				DB603/6	
59				FA213			FA213HH★	MD681	MD681C	VR681			
60				FA213			FA213HH★	MD681	MD681C	VR681			

REAR / ARRIÈRE / HINTEN / POSTERIORE

R Suffix = High Durability Sintered Pad. **HH** Suffix = High Performance Sintered Pad. **TT** Suffix = Hard Wearing Off Road Pad. **V** Suffix = Semi Sintered Pad. **G** Suffix = Grooved Shoe.
D Suffix = Drilled Disc. **X** Suffix = Universal Left or Right Disc. **XC** Suffix = Contoured Disc. **LS** Suffix = Left/Steel Disc. **RS** = Right/Steel Disc.

*-2 Sets Required. † For Vee disc colours add RED, BLU, GRN, GLD, ORG suffix to part number.

⊙ - Also available as a Vintage Motorcycle Disc. ★ - EPFA available. ⚙ - Disc made of Billet steel. ◆ CE solid discs for Enduro use.

Part numbers, prefixes, suffixes, photos and illustrations shown in this catalogue are trademarks and/or copyrights of EBC Brakes or the trademark owner A C Freeman Investments Ltd and use without express written permission of the owners is punishable by law.

Non-JAPANESE Built Motorcycles



KTM Contd.



DISC PAD CHOICES - FRONT

BRAKE DISC CHOICES - FRONT

R Suffix = High Durability Sintered Pad. HH Suffix = High Performance Sintered Pad. TT Suffix = Hard Wearing Off Road Pad. V Suffix = Semi Sintered Pad. G Suffix = Grooved Shoe.

D Suffix = Drilled Disc. X Suffix = Universal Left or Right Disc. XC Suffix = Contoured Disc. LS Suffix = Left/Steel Disc. RS = Right/Steel Disc.

FRONT / AVANT / VORN / FRENTE / ANTERIORE

		FA, SFA, TT Pad or Brake Shoe	SFAC Carbon Scooter Pads	Speciality Pads - SXR / Vee / MXS	Sintered/HH Pads/ Grooved Shoes	Standard Replacement Discs	Contour Disc Universal Left and Right	Vee-Discs Black † See note below	CX Extreme Disc / UTVX Disc	OSX Oversize 250mm or 280mm	Line #
690 Duke	2012	FA244			FA244HH★	MD614X	MD614XC	VR614BLK†			1
690 Duke	2013-2020	FA244			FA244HH★	MD856X	MD856XC				2
690 Duke	2013-2018				FA447HH★	MD856X	MD856XC				3
690 Enduro	2009-2020	FA209/2			FA209/2HH★	MD6299D	MD6299C				4
690 Enduro R	2014-2024	FA209/2			FA209/2HH★	MD844X	MD844XC				5
690 Rally Factory Replica	2007-2009	FA209/2			FA209/2HH★	MD6299D	MD6299C				6
690 SM LE Limited Edition	2010-2011	FA244			FA244HH★	MD6199D	MD6199C				7
690 SM Supermoto	2007-2009	FA244			FA244HH★	MD862X					8
690 SMC	2008-2010				FA322/4HH★	MD862X					9
690 SMC	2012-2013				FA322/4HH★	MD6199D	MD6199C				10
690 SMC	2014-2024				FA322/4HH★	MD6414D	MD6414C				11
790 Adventure	2018-2021				FA244HH★	MD896X*					12
790 Adventure	2023-2024				FA244HH★	MD896X*					13
790 Adventure R	2018-2021				FA244HH★	MD896X*					14
790 Adventure R Rally	2018-2021				FA244HH★	MD896X*					15
790 Duke	2018-2024	FA244*		FA244V*	FA244HH★	TBC*					16
890 Adventure Inc L	2021-2023				FA244HH★	MD896X*					17
890 Adventure R	2021-2024				FA244HH★	MD896X*					18
890 Adventure R Rally	2021-2024				FA244HH★	MD896X*					19
890 Duke	2020-2023				FA244HH★	MD856X*					20
890 Duke GP	2022-2023				FA244HH★	MD856X*					21
890 Duke R	2020-2023				FA447HH★	MD856X*					22
890 RC 8C race only	2021-2024					TBC*					23
890 SMT	2024				FA244HH★	MD856X*					24
950 Adventure	2002-2006	FA209/2*		FA209/2V*	FA209/2HH★	MD6266D*					25
950 Adventure S	2003-2006	FA209/2*		FA209/2V*	FA209/2HH★	MD6266D*					26
950 R Super Enduro	2006-2008	FA209/2		FA209/2V	FA209/2HH★	MD6299D	MD6299C				27
950 Supermoto	2005-2007				FA322/4HH★	MD680*	MD680C*				28
990 Adventure	Left 2007-2012	FA209/2*		FA209/2V*	FA209/2HH★	MD844X	MD844XC				29
	Right					MD848X	MD848XC				30
990 Adventure	2009-2012	FA209/2*		FA209/2V*	FA209/2HH★	MD6299D*	MD6299C*				31
990 Adventure Dakar Edition	Left 2011	FA209/2*		FA209/2V*	FA209/2HH★	MD844X	MD844XC				32
	Right					MD848X	MD848XC				33
990 Adventure S	2006-2008	FA209/2*		FA209/2V*	FA209/2HH★	MD6299D*	MD6299C*				34
990 Duke	2024				FA244HH★	MD856X*					35
990 SM-R	2008-2009				FA322/4HH★	MD680*	MD680C*				36
990 SM-R	2010-2013				FA447HH★	MD680*	MD680C*				37
990 SM-R	2010-2013				FA447HH★	MD8003X*	MD680C*				38
990 SM-T	2009-2013				FA322/4HH★	MD680*	MD680C*				39
990 SM-T	2009-2013				FA322/4HH★	MD8003X*	MD680C*				40
990 Superduke	2005-2011				FA322/4HH★	MD633X*	MD633XC*				41
990 Superduke	2007-2013				FA322/4HH★	MD633X*	MD633XC*				42
1050 Adventure	2015-2016	FA244*		FA244V*	FA244HH★	MD896X*					43
1090 Adventure	2017-2019	FA244*		FA244V*	FA244HH★	MD896X*					44
1090 Adventure	2017-2020	FA244*		FA244V*	FA244HH★	MD896X*					45
1190 Adventure	2013-2016	FA244*			FA244HH★	MD896X*					46
1190 Adventure	2013-2016	FA244*			FA244HH★	MD896X*					47
RC8 1190	2008-2011				FA447HH★	MD633X*	MD633XC*				48
RC8 R 1190	2009-2016				FA447HH★	MD633X*	MD633XC*				49
1290 Super Adventure R	2015-2024	FA244*			FA244HH★	MD896X*					50
1290 Super Adventure S	2017-2024	FA244*		FA244V*	FA244HH★	MD896X*					51
1290 Super Adventure T	2017-2021	FA244*		FA244V*	FA244HH★	MD896X*					52
1290 Super Duke	2014-2023				FA447HH★	MD2112X*					53
1290 Super Duke GT	2016-2024				FA447HH★	MD2112X*					54
1290 Super Duke R	2020-2023				FA447HH★	MD2112X*					55
1290 Super Duke R Evo	2022-2023				FA447HH★	MD2112X*					56
1290 Super Duke R SE	2016-2017				FA447HH★	MD2112X*					57
1290 Super Duke RR	2021-2022				FA447HH★	MD2112X*					58
Brabus 1300R	2022-2023				FA447HH★	MD2112X*					59
1390 Super Duke R	2024				FA447HH★	MD2112X*					60

*-2 Sets Required. † For Vee disc colours add RED, BLU, GRN, GLD, ORG suffix to part number.

⊗ - Also available as a Vintage Motorcycle Disc. ★ - EPFA available. ⚙ Disc made of Billet steel. ♦ CE solid discs for Enduro use.

Non-JAPANESE Built Motorcycles

BRAKE APPLICATIONS

Line #	BRAKE DISC CHOICES - FRONT			DISC PAD CHOICES - REAR				BRAKE DISC CHOICES - REAR					
	SMX Oversize 320mm Disc Kit Front Left	Front disc bolt kit	Front Brake Line	FA, SFA, TT Pad or Brake Shoe	SFAC Carbon Scooter Pads	Speciality Pads - SXR / Vee / MXS	Sintered HH/R Pads/ Grooved Shoes	Standard Replacement Disc	Contour Disc Rear Fitment	Vee Discs CONTOUR	CX Extreme MX Race Disc / UTVX Disc	Rear disc bolt kit	Rear Brake Line
1				FA213			FA213HH★	MD681	MD681C	VR681			
2				FA213			FA213HH★	MD857	MD857C				
3				FA213			FA213HH★	MD857	MD857C				
4		DB603/6		FA208TT		MXS208	FA208R	MD6269D	MD6269C		MD6269CX♦		
5		DB603/6		FA208TT		MXS208	FA208R	MD6415D	MD6415C				
6		DB603/6		FA213			FA213HH★	MD6269D	MD6269C				
7				FA213			FA213HH★	MD6269D	MD6269C				
8				FA213			FA213HH★	MD6269D	MD6269C				
9				FA213			FA213HH★	MD6298D					
10				FA213			FA213HH★	MD6298D					
11				FA208TT		MXS208	FA208R	MD6415D	MD6415C				
12				FA181TT		MXS181	FA181R	MD8029X					
13				FA181TT		MXS181	FA181R	MD8029X					
14				FA181TT		MXS181	FA181R	MD8029X					
15				FA181TT		MXS181	FA181R	MD8029X					
16				FA213			FA213HH★	MD681	MD681C	VR681			
17				FA181TT		MXS181	FA181R	MD8029X					
18				FA181TT		MXS181	FA181R	MD8029X					
19				FA181TT		MXS181	FA181R	MD8029X					
20							FA213HH★	TBC					
21							FA213HH★	TBC					
22							FA213HH★	TBC					
23							FA266HH★	TBC					
24							FA213HH★	TBC					
25		DB603/6		FA181TT			FA181HH	MD6269D	MD6269C				
26		DB603/6		FA181TT			FA181HH	MD6269D	MD6269C				
27		DB603/6		FA181TT			FA181HH	MD6298D					
28				FA181TT			FA181HH	MD681	MD681C	VR681			
29		DB603/6						MD6298D					
30				FA181TT			FA181HH						
31		DB603/6		FA181TT			FA181HH	MD6298D					
32		DB603/6						MD6298D					
33				FA181TT			FA181HH						
34		DB603/6		FA181TT			FA181HH	MD6298D					
35							FA213HH★	TBC					
36				FA181TT			FA181HH	MD681	MD681C	VR681			
37				FA181TT			FA181HH	MD681	MD681C	VR681			
38				FA181TT			FA181HH	MD681	MD681C	VR681			
39				FA181TT			FA181HH	MD681	MD681C	VR681			
40				FA181TT			FA181HH	MD681	MD681C	VR681			
41				FA213			FA213HH★	MD681	MD681C	VR681			
42				FA213			FA213HH★	MD681	MD681C	VR681			
43				FA181TT			FA181HH	MD6424D					
44				FA181TT			FA181HH	MD6424D					
45				FA181TT			FA181HH						
46				FA181TT			FA181HH	MD6424D					
47				FA181TT			FA181HH	MD6424D					
48				FA266			FA266HH★	MD812					
49				FA266			FA266HH★	MD812					
50				FA181TT			FA181HH	MD6424D					
51				FA181TT			FA181HH						
52				FA181TT			FA181HH						
53				FA266			FA266HH★	MD6423D					
54				FA266			FA266HH★	MD6423D					
55				FA266			FA266HH★	MD6423D					
56				FA266			FA266HH★	MD6423D					
57				FA266			FA266HH★	MD6423D					
58							FA266HH★	MD6423D					
59				FA266			FA266HH★	MD6423D					
60				FA266			FA266HH★	MD6423D					

REAR / ARRIÈRE / HINTEN / POSTERIOR / POSTERIORE

R Suffix = High Durability Sintered Pad. **HH** Suffix = High Performance Sintered Pad. **TT** Suffix = Hard Wearing Off Road Pad. **V** Suffix = Semi Sintered Pad. **G** Suffix = Grooved Shoe.
D Suffix = Drilled Disc. **X** Suffix = Universal Left or Right Disc. **XC** Suffix = Contoured Disc. **LS** Suffix = Left/Steel Disc. **RS** = Right/Steel Disc.

*-2 Sets Required. † For Vee disc colours add RED, BLU, GRN, GLD, ORG suffix to part number.
 Ⓢ - Also available as a Vintage Motorcycle Disc. ★ - EPFA available. Ⓢ - Disc made of Billet steel. ♦ - CE solid discs for Enduro use.

Non-JAPANESE Built Motorcycles



KTM Contd.

1390 Super Duke R Evo 2024

KYMCO

Cobra Racer SF10AG 2000-2006

Dink Dink Classic Euro 2 2003

Super 9 2000-2007

Active 50 2005-2006

Active 50 SR 2008-2011

Agility 50 2005-2008

Agility 50 2021-2023

Agility 50 Basic 2007

Agility 50 Carry 2011-2021

Agility 50 City+ 2018-2020

Agility 50 FAT 2019-2021

Agility 50 R10 CV 50 QT S 2006-2014

Agility 50 R12 CK 50 QT S 2006-2021

Agility 50 R16 2008-2015

Agility 50 R16 2008-2021

Agility 50 RS 2009-2017

Agility 50 RS 2010-2015

Bet & Win/Dink Sports 50 2002-2006

Calypso 50/125 1999

Cobra 50 Cross 2000-2006

CX 50 PR50AE 1993

CX 50 Super PR50AC 1994-1997

Dink 50 2007-2014

Dink/Spacer/Yager 50 SH10 1998-2010

DJ 50 S 2012-2015

DJW 50 World PR50AD 1995-1997

DJX 50 KA50A 1991-1992

DJY 50 Refined PR50A 1993-2006

Filly 50 1998-2000

Filly 50 LX 2000-2006

Grand Dink 50 2004-2015

Heroism 50 SE10BA 1995-1997

I-One EV Electric 2022-2023

Jetix 50 2010-2015

K12 Sport 50 SE10CA 1995-2000

KB 50 SE10CA 1995-2000

K-Pipe 50 2012-2013

KXR 50 Mongoose 2004-2006

Kymcosento 50 i 2013

Like 50 2009

Like 50 2009

Like 50 2010-2021

Like 50 LX 2010-2021

Looker 50 BA10AD JP 2007-2008

Looping 50 1998

Maxxer 50 2005-2014

MXer 50 Quad 2000-2007

MXU 50 2005-2013

New Sento 50 i 2013

Nexxon 50 2008-2009

People 50 BA10AD 1999-2011

People S 50 2005-2015

People S 50 B91000 2006-2021

Sento 50 2008-2015

Sniper 50 DD PR50BB 1994-1996

Sniper 50 PR50B 1993

Super 8 50 2007-2015

		DISC PAD CHOICES - FRONT			BRAKE DISC CHOICES - FRONT						
		FA, SFA, TT Pad or Brake Shoe	SFAC Carbon Scooter Pads	Speciality Pads - SXR / Vee / MXS	Sintered/HH Pads/ Grooved Shoes	Standard Replacement Discs	Contour Disc Universal Left and Right	Vee-Discs Black † See note below	CX Extreme Disc / UTVX Disc	OSX Oversize 250mm or 280mm	Line #
					FA447HH*★	MD2112X*					1
											2
											3
		SFA233				MD971D		VR971			4
		SFA197	SFAC197		SFA197HH	MD973D		VR973			5
		SFA197	SFAC197		SFA197HH	MD981D		VR981			6
		SFA197	SFAC197		SFA197HH						7
		SFA086	SFAC086		SFA086HH						8
		SFA228	SFAC228		SFA228HH	MD971D		VR971			9
		SFA228	SFAC228		SFA228HH	MD971D	MD971C	VR971			10
		H303									11
		SFA305	SFAC305		SFA305HH						12
		SFA228	SFAC228		SFA228HH	MD971D		VR971			13
		SFA305	SFAC305		SFA305HH	MD9100D		VR9100			14
		SFA228	SFAC228		SFA228HH	MD971D		VR971			15
		SFA228	SFAC228		SFA228HH	MD971D		VR971			16
		SFA305	SFAC305		SFA305HH	MD9100D		VR9100			17
		SFA305	SFAC305		SFA305HH	MD9100D		VR9100			18
		SFA228	SFAC228		SFA228HH	MD972D					19
		SFA228	SFAC228		SFA228HH			VR971			20
		SFA197	SFAC197		SFA197HH	MD973D		VR973			21
		SFA235	SFAC235								22
		SFA233				MD971D		VR971			23
		H303									24
		SFA233				MD933D		VR933			25
		SFA197	SFAC197		SFA197HH						26
		SFA197	SFAC197		SFA197HH	MD971D		VR971			27
		SFA305	SFAC305		SFA305HH						28
		SFA235	SFAC235			MD933D		VR933			29
		H303									30
		H303									31
		H303									32
		SFA228	SFAC228		SFA228HH						33
		SFA197	SFAC197		SFA197HH	MD973D		VR973			34
		SFA235	SFAC235			MD933D		VR933			35
		SFA228	SFAC228								36
		SFA086	SFAC086		SFA086HH						37
		SFA233				MD933D		VR933			38
		SFA233				MD933D		VR933			39
		FA197			FA197HH★						40
		H346*			H346G*						41
		SFA197	SFAC197		SFA197HH						42
		SFA305	SFAC305		SFA305HH	MD6268D					43
		SFA305	SFAC305		SFA305HH	MD6268D					44
		SFA228	SFAC228		SFA228HH	MD6268D					45
		SFA228	SFAC228		SFA228HH	MD6268D					46
		SFA305	SFAC305		SFA305HH	MD989D					47
		SFA233									48
		H346*			H346G*						49
		H303*			H303G*						50
		H303*			H303G*						51
		SFA197	SFAC197		SFA197HH						52
		SFA086	SFAC086		SFA086HH						53
		SFA305	SFAC305		SFA305HH	MD989D					54
		SFA305	SFAC305		SFA305HH	MD9100D		VR9100			55
		SFA305	SFAC305		SFA305HH	MD9100D		VR9100			56
		SFA228	SFAC228		SFA228HH						57
		SFA233				MD933D		VR933			58
		SFA233				MD933D		VR933			59
		SFA305	SFAC305		SFA305HH						60

FRONT / AVANT / VORN / FRENTE / ANTERIORE

R Suffix = High Durability Sintered Pad. HH Suffix = High Performance Sintered Pad. TT Suffix = Hard Wearing Off Road Pad. V Suffix = Semi Sintered Pad. G Suffix = Grooved Shoe. D Suffix = Drilled Disc. X Suffix = Universal Left or Right Disc. XC Suffix = Contoured Disc. LS Suffix = Left/Steel Disc. RS = Right/Steel Disc.

*-2 Sets Required. † For Vee disc colours add RED, BLU, GRN, GLD, ORG suffix to part number.

⊗ - Also available as a Vintage Motorcycle Disc. ★ - EPFA available. ⚙ - Disc made of Billet steel. ♦ - CE solid discs for Enduro use.

Non-JAPANESE Built Motorcycles

Line #	BRAKE DISC CHOICES - FRONT			DISC PAD CHOICES - REAR				BRAKE DISC CHOICES - REAR					
	SMX Oversize 320mm Disc Kit Front Left	Front disc bolt kit	Front Brake Line	FA, SFA, TT Pad or Brake Shoe	SFAC Carbon Scooter Pads	Speciality Pads - SXR / Vee / MXS	Sintered HH/R Pads/ Grooved Shoes	Standard Replacement Disc	Contour Disc Rear Fitment	Vee Discs CONTOUR	CX Extreme MX Race Disc / UTVX Disc	Rear disc bolt kit	Rear Brake Line
1				FA266			FA266HH★	MD6423D					
2													
3													
4				H303									
5				H303									
6				H303									
7				H303									
8				H303									
9				H303									
10				H303									
11				H303									
12				H303									
13				H303									
14				818									
15				H303									
16				H303									
17				818									
18				818									
19				H303									
20				H303									
21				H303									
22				H303									
23				H303									
24				H333									
25				H333									
26				H303									
27				H303									
28				H303									
29				H303									
30				H333									
31				H333									
32				H303									
33				H303									
34				H303									
35				H303									
36				H303									
37				SFA197			SFA197HH						
38				H303									
39				H303									
40				H340									
41				H307			H307G						
42				H303									
43				H303									
44				H303									
45				H303									
46				H303									
47				818									
48				H303									
49				H307			H307G						
50				FA305			FA305R	MD6267D					
51				FA305			FA305R	MD6267D					
52				H303									
53				SFA086			SFA086HH						
54				818									
55				818									
56				818									
57				H303									
58				SFA234				MD926D					
59				H303									
60				818									

REAR / ARRIÈRE / HINTEN / POSTERIOR / POSTERIORE

R Suffix = High Durability Sintered Pad. HH Suffix = High Performance Sintered Pad. TT Suffix = Hard Wearing Off Road Pad. V Suffix = Semi Sintered Pad. G Suffix = Grooved Shoe.
D Suffix = Drilled Disc. X Suffix = Universal Left or Right Disc. XC Suffix = Contoured Disc. LS Suffix = Left/Steel Disc. RS = Right/Steel Disc.

BRAKE APPLICATIONS

*-2 Sets Required. † For Vee disc colours add RED, BLU, GRN, GLD, ORG suffix to part number.

⊙ - Also available as a Vintage Motorcycle Disc. ★ - EPFA available. ⚙ Disc made of Billet steel. ♦ CE solid discs for Enduro use.

Part numbers, prefixes, suffixes, photos and illustrations shown in this catalogue are trademarks and/or copyrights of EBC Brakes or the trademark owner A C Freeman Investments Ltd and use without express written permission of the owners is punishable by law.

Non-JAPANESE Built Motorcycles



KYMCO Contd.



DISC PAD CHOICES - FRONT

BRAKE DISC CHOICES - FRONT

R Suffix = High Durability Sintered Pad. HH Suffix = High Performance Sintered Pad. TT Suffix = Hard Wearing Off Road Pad. V Suffix = Semi Sintered Pad. G Suffix = Grooved Shoe.

D Suffix = Drilled Disc. X Suffix = Universal Left or Right Disc. XC Suffix = Contoured Disc. LS Suffix = Left/Steel Disc. RS = Right/Steel Disc.

FRONT / AVANT / VORN / FRENTE / ANTERIORE

		FA, SFA, TT Pad or Brake Shoe	SFAC Carbon Scooter Pads	Speciality Pads - SXR / Vee / MXS	Sintered/HH Pads/ Grooved Shoes	Standard Replacement Discs	Contour Disc Universal Left and Right	Vee-Discs Black † See note below	CX Extreme Disc / UTVX Disc	OSX Oversize 250mm or 280mm	Line #
Super 8 50	2007-2021	SFA305	SFAC305		SFA305HH						1
Super 8 R 50cc	2022-2024	SFA305	SFAC305		SFA305HH						2
Super 9 50 SH10DA	2000-2007	SFA197	SFAC197		SFA197HH	MD981D		VR981			3
Top Boy 50 SF10GG On Road & Off Road	1997-2006	SFA233				MD971D		VR971			4
Visa R 50	2011-2015	SFA067	SFAC067		SFA067HH						5
Vitality 50	2004-2009	SFA228	SFAC228		SFA228HH	MD971D		VR971			6
Vitality 50 SF10FA	2004-2009	SFA228	SFAC228		SFA228HH	MD971D		VR971			7
Yager 50	2007	SFA197	SFAC197		SFA197HH	MD971D		VR971			8
Yup 50	2002-2009	SFA228	SFAC228		SFA228HH	MD971D		VR971			9
ZX 50 Super Fever/Scout SC10AS - ZX12	1999-2006	SFA233				MD971D		VR971			10
Maxxer 90	2005-2006	H346*			H346G*						11
Mongoose KXR 90 S Quad	2004-2020	H346*			H346G*						12
Cobra 100 Racer	1999-2003	SFA228	SFAC228		SFA228HH						13
KB 100 Manboy	1997-2000	SFA233				MD933D		VR933			14
Spike 100/125	2000-2006	SFA086	SFAC086		SFA086HH						15
Top Boy 100 On Road & Off Road	1997	SFA233									16
Visa R 110	2011-2015	SFA067	SFAC067		SFA067HH						17
Activ 110/125	2004-2006	SFA197	SFAC197		SFA197HH						18
Agility 125	2006-2014	SFA228	SFAC228		SFA228HH	MD971D		VR971			19
Agility 125	2008-2015	SFA305	SFAC305		SFA305HH	MD9100D		VR9100			20
Agility 125 Carry	2011-2021	SFA305	SFAC305		SFA305HH						21
Agility 125 City	2018-2023	SFA305	SFAC305		SFA305HH	MD9100D		VR9100			22
Agility 125 City+	2018-2024	SFA305	SFAC305		SFA305HH	MD9100D		VR9100			23
Agility 125 R 16 +	2018-2021	SFA305	SFAC305		SFA305HH	MD9100D		VR9100			24
Agility 125 RS	2009-2013	SFA305	SFAC305		SFA305HH						25
Agility 125 RS	2010-2015	SFA228	SFAC228		SFA228HH						26
Bet & Win 125/150 SH25CA/30C	2000-2006	SFA197	SFAC197		SFA197HH	MD973D		VR973			27
CK 125 Pulsar	1999-2000	FA486									28
CK 125 Pulsar II KE25RF	2008-2010	FA197			FA197HH★						29
CK 125 Pulsar KJ25CB	2001-2007	FA197			FA197HH★						30
CK 125 Pulsar S	2011-2015	FA197			FA197HH★						31
Cruiser 125 R	1999	FA197			FA197HH★						32
Dink 125i T90000	2006-2015	SFA197	SFAC197		SFA197HH						33
Dink Classic 125/150 SH25BB/30B	1997-2004	SFA197	SFAC197		SFA197HH	MD971D		VR971			34
Dink Classic 125/150 SH25BB/30B	2002	SFA197	SFAC197		SFA197HH	MD973D		VR973			35
Dink LX 125/150 SH25BA/30B	1998-2000	SFA197	SFAC197		SFA197HH	MD971D		VR971			36
DJ 125 S	2012-2013	SFA305	SFAC305		SFA305HH						37
Downtown 125 i/Super Dink V21000	2009-2015	SFA142	SFAC142		SFA142HH			VR9128			38
DTX 360 125cc	2021-2024	SFA324	SFAC324		SFA324HH						39
Grand Dink 125	2012-2015	SFA142	SFAC142		SFA142HH						40
Grand Dink 125	2020-2023	SFA693	SFAC693		SFA693HH						41
Heroism 125 SE25BA	1995-1997	SFA235	SFAC235			MD933D		VR933			42
Jetix 125	2010-2015	SFA086	SFAC086		SFA086HH						43
K-Pipe 125	2012-2021	FA197			FA197HH★						44
KR 125 Quannon	2010-2015	FA197			FA197HH★						45
KR 125 Quannon Sport	2007-2013	FA197			FA197HH★						46
K-XCT 125i	2012-2015	SFA142	SFAC142		SFA142HH			VR9128			47
Like 125	2009	SFA305	SFAC305		SFA305HH	MD6268D					48
Like 125 LX	2010-2021	SFA228	SFAC228		SFA228HH						49
Looker 125 S BA25BA JP	2007-2008	SFA305	SFAC305		SFA305HH	MD989D					50
Movie 125 SL25AA	1999-2000	SFA228	SFAC228		SFA228HH	MD972D					51
Movie 125i	2012-2013	SFA197	SFAC197		SFA197HH						52
New Downtown 125i	2015-2019	SFA324	SFAC324		SFA324HH			VR9128			53
Nexxon 125	2007-2008	SFA086	SFAC086		SFA086HH						54
People 125 B20000/10/11	1999-2014	SFA305	SFAC305		SFA305HH	MD989D					55
People GT 125i	2010-2020	SFA324	SFAC324		SFA324HH	MD9100D					56
People One 125i	2013-2015	SFA305	SFAC305		SFA305HH	MD9100D					57
People One 125i	2016-2021	SFA603	SFAC603		SFA603HH	MD9100D					58
People One 125i CBS	2021-2022	SFA305	SFAC305		SFA305HH	MD9100D					59
People S 125	2018-2021	SFA197	SFAC197		SFA197HH	MD9100D		VR9100			60

*-2 Sets Required. † For Vee disc colours add RED, BLU, GRN, GLD, ORG suffix to part number.

⊗ - Also available as a Vintage Motorcycle Disc. ★ - EPFA available. ⚙ - Disc made of Billet steel. ♦ - CE solid discs for Enduro use.

Non-JAPANESE Built Motorcycles

Line #	BRAKE DISC CHOICES - FRONT			DISC PAD CHOICES - REAR				BRAKE DISC CHOICES - REAR					
	SMX Oversize 320mm Disc Kit Front Left	Front disc bolt kit	Front Brake Line	FA, SFA, TT Pad or Brake Shoe	SFAC Carbon Scooter Pads	Speciality Pads - SXR / Vee / MXS	Sintered HH/R Pads/ Grooved Shoes	Standard Replacement Disc	Contour Disc Rear Fitment	Vee Discs CONTOUR	CX Extreme MX Race Disc / UTVX Disc	Rear disc bolt kit	Rear Brake Line
1				818									
2				818									
3				SFA305	SFAC305		SFA305HH	MD971D		VR971			
4				H303									
5				H303									
6				H303									
7				H303									
8				H303									
9				H303									
10				H303									
11				FA305			FA305R	MD6267D					
12				FA305			FA305R	MD6267D					
13				H303									
14				H303									
15													
16				H303									
17				H303									
18				H303									
19				818									
20				SFA067	SFAC067		SFA067HH	MD9129D					
21				H303									
22				SFA067	SFAC067		SFA067HH						
23				SFA067	SFAC067		SFA067HH						
24				SFA228	SFAC228		SFA228HH						
25				818									
26				818									
27				SFA197	SFAC197		SFA197HH	MD974D		VR974			
28				H310									
29				H307									
30				H340									
31				H307									
32													
33				SFA197	SFAC197		SFA197HH	MD974D		VR974			
34				SFA197	SFAC197		SFA197HH	MD971D		VR971			
35				SFA197	SFAC197		SFA197HH	MD971D		VR971			
36				SFA197	SFAC197		SFA197HH	MD971D		VR971			
37				H303									
38				SFA498	SFAC498		SFA498HH	MD9129D		VR9129			
39				SFA607	SFAC607		SFA607HH	MD9129D		VR9129			
40				SFA197	SFAC197		SFA197HH						
41				SFA197	SFAC197		SFA197HH						
42				H303									
43				SFA197	SFAC197		SFA197HH						
44				H340									
45				FA197			FA197HH★						
46				FA197			FA197HH★						
47				SFA607			SFA607HH						
48				SFA197	SFAC197		SFA197HH						
49				SFA197	SFAC197		SFA197HH						
50				818									
51				818									
52													
53				SFA607	SFAC607		SFA607HH	MD9129D		VR9129			
54				SFA086	SFAC086		SFA086HH						
55				818									
56				SFA607	SFAC607		SFA607HH						
57				818									
58				818									
59				SFA228	SFAC228		SFA228HH						
60				SFA607			SFA607HH	MD9100D					

REAR / ARRIÈRE / HINTEN / POSTERIOR / POSTERIORE

R Suffix = High Durability Sintered Pad. **HH** Suffix = High Performance Sintered Pad. **TT** Suffix = Hard Wearing Off Road Pad. **V** Suffix = Semi Sintered Pad. **G** Suffix = Grooved Shoe.
D Suffix = Drilled Disc. **X** Suffix = Universal Left or Right Disc. **XC** Suffix = Contoured Disc. **LS** Suffix = Left/Steel Disc. **RS** = Right/Steel Disc.

BRAKE APPLICATIONS

*-2 Sets Required. † For Vee disc colours add RED, BLU, GRN, GLD, ORG suffix to part number.

⊙ - Also available as a Vintage Motorcycle Disc. ★ - EPFA available. ⚙ Disc made of Billet steel. ♦ CE solid discs for Enduro use.

Part numbers, prefixes, suffixes, photos and illustrations shown in this catalogue are trademarks and/or copyrights of EBC Brakes or the trademark owner A C Freeman Investments Ltd and use without express written permission of the owners is punishable by law.

Non-JAPANESE Built Motorcycles



KYMCO Contd.



DISC PAD CHOICES - FRONT

BRAKE DISC CHOICES - FRONT

R Suffix = High Durability Sintered Pad. HH Suffix = High Performance Sintered Pad. TT Suffix = Hard Wearing Off Road Pad. V Suffix = Semi Sintered Pad. G Suffix = Grooved Shoe.

D Suffix = Drilled Disc. X Suffix = Universal Left or Right Disc. XC Suffix = Contoured Disc. LS Suffix = Left/Steel Disc. RS = Right/Steel Disc.

FRONT / AVANT / VORN / FRENTE / ANTERIORE

		FA, SFA, TT Pad or Brake Shoe	SFAC Carbon Scooter Pads	Speciality Pads - SXR / Vee / MXS	Sintered/HH Pads/ Grooved Shoes	Standard Replacement Discs	Contour Disc Universal Left and Right	Vee-Discs Black † See note below	CX Extreme Disc / UTVX Disc	OSX Oversize 250mm or 280mm	Line #
People S 125 BA25BA	2005-2006	SFA305	SFAC305		SFA305HH	MD9100D		VR9100			1
People S 125 DD D1000	2007-2018	SFA305	SFAC305		SFA305HH	MD9100D		VR9100			2
Sector 125	1998-2001	FA197			FA197HH★						3
Spike 125 R	2004-2006	SFA197	SFAC197		SFA197HH						4
Straight 125	2005-2006	FA197			FA197HH★						5
Stryker 125 DA25BB On Road/Off Road	2001-2006	FA228			FA228HH						6
Super 8 125	2008-2015	SFA305	SFAC305		SFA305HH			VR9128			7
Visa R 125	2011-2015	SFA067	SFAC067		SFA067HH						8
VSR 125	2020-2024	SFA324	SFAC324		SFA324HH						9
X Town 125i	2016-2021	SFA324	SFAC324		SFA324HH			VR9128			10
X Town City 125 i	2020-2024	SFA324	SFAC324		SFA324HH			VR9128			11
Yager 125 GT	2007-2013	SFA197	SFAC197		SFA197HH						12
Yager 125 R	2000	SFA197	SFAC197		SFA197HH	MD971D		VR971			13
Agility 150 R16 R16 C30000	2008-2012	SFA305	SFAC305		SFA305HH	MD9100D		VR9100			14
Grand Dink/Miller 125/150 S40000-00	2001-2007	SFA197	SFAC197		SFA197HH	MD973D		VR973			15
Heroism 150 150 SE30AD	1995-1997	SFA235	SFAC235			MD933D		VR933			16
Hipster 125/150	1999-2006	FA197			FA197HH★						17
Jetix 150	2010	SFA086	SFAC086		SFA086HH						18
Like 150 i	2020-2021	SFA305	SFAC305		SFA305HH	MD6268D					19
Like 150 i Noodoe	2020-2021	SFA305	SFAC305		SFA305HH	MD6268D					20
Movie XL 125/150 S510/500	2001-2009	SFA197	SFAC197		SFA197HH	MD973D		VR973			21
MXer 125/150 Quad LA35AD/LA30AD	2002-2007	H303*			H303G*						22
MXU 150	2005-2020	H303*			H303G*						23
People 150 B200001/20	1999-2004	SFA305	SFAC305		SFA305HH	MD989D					24
People One 150	2019-2021	SFA228	SFAC228		SFA228HH						25
Spade 150 I	2020-2021	FA197			FA197HH★						26
Stryker 150 Off Road	2000-2006	FA228			FA228HH						27
Super 8 150 X	2019-2021	SFA228	SFAC228		SFA228HH	MD972D					28
Vivio 125/150 SL25BA/30AC	2000-2003	SFA228	SFAC228		SFA228HH	MD972D					29
Zing 125/150 Custom Style RF25/30	1997-2013	FA197			FA197HH★						30
Agility 200i R 16	2010-2021	SFA305	SFAC305		SFA305HH	MD9100D		VR9100			31
Dink 200i T91000	2006-2015	SFA197	SFAC197		SFA197HH						32
Downtown 200i	2010-2015	SFA142	SFAC142		SFA142HH			VR9128			33
Like 200i	2009	SFA305	SFAC305		SFA305HH	MD6268D					34
Like 200i LX	2010-2015	SFA228	SFAC228		SFA228HH						35
People GT 200i	2010-2015	SFA324	SFAC324		SFA324HH	MD9100D					36
People S 200 D11000	2005-2006	SFA305	SFAC305		SFA305HH	MD9100D		VR9100			37
People S 200i DD D12000	2007-2015	SFA305	SFAC305		SFA305HH	MD9100D		VR9100			38
Yager 200i R	2007-2013	SFA197	SFAC197		SFA197HH						39
Bet & Win 250 S7000	2000-2006	SFA197	SFAC197		SFA197HH	MD973D		VR973			40
Grand Dink 250 S 400	2001-2006	SFA355/4	SFAC355/4		SFA355/4HH	MD973D		VR973			41
Maxxer 250	2012-2013	FA377TT*			FA377R*	MD6267D*					42
Mongoose KXR 250 Quad	2004-2007	FA377TT*			FA377R*	MD6267D*					43
MXU 250	2004-2013	FA377TT*			FA377R*	MD6267D*					44
MXU 250	2012-2013	FA377TT*			FA377R*	MD6267D*					45
People 250 BC50AA	2003-2006	SFA197	SFAC197		SFA197HH	MD9100D		VR9100			46
People 250 Si DD	Left 2007-2008		SFAC228		SFA228HH	MD9100D*		VR9100*			47
	Right	SFA197	SFAC197		SFA197HH						48
Urban 250 Quad	2006	FA377TT*			FA377R*						49
Venox 250 R20010/RA50AA	2000-2003	FA196			FA196HH★	MD1101					50
Venox 250 R20012	2000-2014	FA196			FA196HH★	MD1101					51
Venox 250 RFBR20011/RA500AD	2004-2006	FA196			FA196HH★	MD1101					52
Xciting 250 T71000	2005	SFA142*	SFAC142*		SFA142HH*						53
Xciting 250i T71010	2006-2008	SFA142*	SFAC142*		SFA142HH*						54
Yup 250 W2000	2003-2006	SFA197	SFAC197		SFA197HH	MD973D		VR973			55
Mongoose 270cc inc Euro	2020-2021	FA377TT*			FA377R*						56
MXU 270cc I Euro	2020-2021	FA377TT*			FA377R*						57
Agility 300i +	2015-2021	SFA324	SFAC324		SFA324HH						58
AK 300i	2019-2020				FAG30HH★						59
Downtown 300i	2010-2015	SFA142	SFAC142		SFA142HH			VR9128			60

*-2 Sets Required. † For Vee disc colours add RED, BLU, GRN, GLD, ORG suffix to part number.

⊗ - Also available as a Vintage Motorcycle Disc. ★ - EPFA available. ⚙ - Disc made of Billet steel. ♦ - CE solid discs for Enduro use.

Non-JAPANESE Built Motorcycles

Line #	BRAKE DISC CHOICES - FRONT			DISC PAD CHOICES - REAR				BRAKE DISC CHOICES - REAR					
	SMX Oversize 320mm Disc Kit Front Left	Front disc bolt kit	Front Brake Line	FA, SFA, TT Pad or Brake Shoe	SFAC Carbon Scooter Pads	Speciality Pads - SXR / Vee / MXS	Sintered HH/R Pads/ Grooved Shoes	Standard Replacement Disc	Contour Disc Rear Fitment	Vee Discs CONTOUR	CX Extreme MX Race Disc / UTVX Disc	Rear disc bolt kit	Rear Brake Line
1				818									
2				SFA607			SFA607HH	MD9100D					
3													
4				SFA197	SFAC197		SFA197HH	MD971D		VR971			
5													
6				H340									
7				818									
8				H303									
9				SFA197	SFAC197		SFA197HH						
10				SFA607	SFAC607		SFA607HH	MD9129D		VR9129			
11				SFA607	SFAC607		SFA607HH	MD9129D		VR9129			
12				SFA197	SFAC197		SFA197HH	MD974D					
13				SFA197	SFAC197		SFA197HH	MD971D		VR971			
14				SFA197	SFAC197		SFA197HH	MD9129D		VR9129			
15				SFA197	SFAC197		SFA197HH	MD974D		VR974			
16				SFA234				MD926D					
17				H340									
18				SFA197	SFAC197		SFA197HH						
19				SFA197	SFAC197		SFA197HH						
20				SFA197	SFAC197		SFA197HH						
21				818									
22				FA305			FA305R	MD6267D					
23				FA305			FA305R	MD6267D					
24				818									
25				SFA607			SFA607HH						
26				H340									
27				H340									
28				818									
29				818									
30				H340									
31				SFA197	SFAC197		SFA197HH	MD9129D		VR9129			
32				SFA197	SFAC197		SFA197HH	MD974D					
33				SFA498	SFAC498		SFA498HH	MD9129D		VR9129			
34				SFA197	SFAC197		SFA197HH						
35				SFA197	SFAC197		SFA197HH						
36				SFA607			SFA607HH						
37				818									
38				SFA607			SFA607HH	MD9100D					
39				SFA197	SFAC197		SFA197HH	MD974D					
40				SFA197	SFAC197		SFA197HH	MD974D		VR974			
41				SFA356			SFA356HH	MD974D		VR974			
42				FA377TT			FA377R	MD6268D					
43				FA355/4TT			FA355/4R	MD6268D					
44				FA355/4TT			FA355/4R	MD6268D					
45				FA377TT			FA377R	MD6267D					
46				SFA142	SFAC142		SFA142HH	MD9100D					
47				SFA607			SFA607HH						
48								MD9100D					
49				FA355/4TT			FA355/4R						
50				H321									
51				H321									
52				H321									
53				SFA607			SFA607HH						
54				SFA607			SFA607HH						
55				SFA197	SFAC197		SFA197HH	MD974D		VR974			
56				FA377TT*			FA377R*						
57				FA377TT*			FA377R*						
58				SFA607	SFAC607		SFA607HH						
59				SFA719			SFA719HH						
60				SFA498	SFAC498		SFA498HH	MD9129D		VR9129			

REAR / ARRIÈRE / HINTEN / POSTERIOR / POSTERIORE

R Suffix = High Durability Sintered Pad. **HH** Suffix = High Performance Sintered Pad. **TT** Suffix = Hard Wearing Off Road Pad. **V** Suffix = Semi Sintered Pad. **G** Suffix = Grooved Shoe.
D Suffix = Drilled Disc. **X** Suffix = Universal Left or Right Disc. **XC** Suffix = Contoured Disc. **LS** Suffix = Left/Steel Disc. **RS** = Right/Steel Disc.

*-2 Sets Required. † For Vee disc colours add RED, BLU, GRN, GLD, ORG suffix to part number.

⊙ - Also available as a Vintage Motorcycle Disc. ★ - EPFA available. Ⓢ Disc made of Billet steel. ◆ CE solid discs for Enduro use.

Part numbers, prefixes, suffixes, photos and illustrations shown in this catalogue are trademarks and/or copyrights of EBC Brakes or the trademark owner A C Freeman Investments Ltd and use without express written permission of the owners is punishable by law.

Non-JAPANESE Built Motorcycles



KYMCO Contd.



DISC PAD CHOICES - FRONT

BRAKE DISC CHOICES - FRONT

Model	Year	Side	DISC PAD CHOICES - FRONT			BRAKE DISC CHOICES - FRONT					Line #		
			FA, SFA, TT Pad or Brake Shoe	SFAC Carbon Scooter Pads	Speciality Pads - SXR / Vee / MXS	Sintered/HH Pads/ Grooved Shoes	Standard Replacement Discs	Contour Disc Universal Left and Right	Vee-Discs Black † See note below	CX Extreme Disc / UTVX Disc		OSX Oversize 250mm or 280mm	
Downtown 300i/Super Dink V20000	2009-2012		SFA142	SFAC142		SFA142HH				VR9128			1
Grand Dink 300i	2012-2020		SFA142	SFAC142		SFA142HH	MD973D			VR973			2
K-XCT 300i	2012-2015		SFA324	SFAC324		SFA324HH				VR9128			3
Maxxer 300	2006-2013		FA377TT*			FA377R*	MD6267D*						4
MXU 300	2006-2021		FA377TT*			FA377R*	MD6267D*						5
MXU 300	2010-2021		FA377TT*			FA377R*	MD6267D*						6
People GT 300i	2010-2015		SFA324	SFAC324		SFA324HH							7
People GT 300i Euro 4	2019-2020		SFA324	SFAC324		SFA324HH							8
People S 300i Euro 4	2019-2021		SFA324	SFAC324		SFA324HH	MD9100D						9
People S 300i R	2008-2010	Left		SFAC228		SFA228HH				VR9100*			10
		Right	SFA197	SFAC197		SFA197HH	MD9100D						11
X Town 300i	2017-2021		SFA324	SFAC324		SFA324HH							12
X Town City 300i	2020-2022		SFA324	SFAC324		SFA324HH							13
Xciting 300i R T72001/T72011	2009-2014		SFA142*	SFAC142*		SFA142HH*							14
Xciting 300i T72000	2008		SFA142*	SFAC142*		SFA142HH*							15
DTX 360 320cc	2021-2024		SFA324	SFAC324		SFA324HH							16
Downtown 350 I TCS	2019-2022		SFA324	SFAC324		SFA324HH							17
Downtown 350i	2015-2020		SFA324	SFAC324		SFA324HH				VR9128			18
Maxxer 400	2009-2010		FA395TT*			FA395R*	MD6173D*						19
MXU 400 A40000	2008-2011		FA395TT*			FA395R*	MD6173D*						20
Xciting 400i	2012-2020		SFA432*			SFA432HH*	MD9174D*						21
Xciting 400i S	2017-2021		SFA432*			SFA432HH*	MD9174D*						22
Maxxer 450i	2010-2018		FA395TT*			FA395R*	MD6173D*						23
MXU 450i	2013-2021		FA395TT*			FA395R*							24
MXU 450i IRS	2011-2018		FA395TT*			FA395R*	MD6173D*						25
MXU 450i LE	2020-2021		FA395TT*			FA395R*							26
MXU 450i LE Prime	2020-2021		FA395TT*			FA395R*							27
UXV 450i Side x Side	2015-2021		FA377TT*			FA377R*							28
MXU 500 L70000/Carb Model/4 x 4	2005-2009		FA377TT*			FA377R*	MD6195D*						29
MXU 500i 4 x 4 - IRS LAAOCD/CM	2009-2014		FA600TT*			FA600R*	MD6173D*						30
MXU 500i DX	2012-2013		FA600TT*			FA600R*	MD6173D*						31
UXV 500 Side x Side	2008-2021		FA377TT*			FA377R*	MD6393D*						32
UXV 500 Side x Side	2013-2021		FA377TT*			FA377R*	MD6393D*						33
Xciting 500 T70000	2005		SFA142*	SFAC142*		SFA142HH*							34
Xciting 500i Evo	2013		SFA142*	SFAC142*		SFA142HH*							35
Xciting 500i R T70021	2007-2015		SFA142*	SFAC142*		SFA142HH*							36
Xciting 500i R T70030	2007-2009		SFA142*	SFAC142*		SFA142HH*							37
Xciting 500i T70020	2006-2008		SFA142*	SFAC142*		SFA142HH*							38
AK 550	2017-2024					FA630HH*★	MD9174D*						39
CV 3 550cc Euro 5	2021-2024	Left	SFA197	SFAC197		SFA197HH	MD9174D*						40
		Right	SFA228	SFAC228		SFA228HH							41
MXU 550i	2012-2015		FA600TT*			FA600R*	MD6173D*						42
MXU 550i 4 x 4 LoF	2013-2015		FA600TT*			FA600R*	MD6173D*						43
MXU 700i 4 x 4 LoF	2013-2021		FA600TT*			FA600R*							44
My Road 700i	2011-2015		SFA142*	SFAC142*		SFA142HH*							45
UXV 700i Turf	2014-2021		FA377TT*		FA377V*	FA377R*	MD6173D*						46
CK1 125 KT25AA	2014-2015		FA197			FA197HH★							47
													48
													49
													50
													51
													52
													53
													54
													55
													56
													57
													58
													59
													60

FRONT / AVANT / VORN / FRENTE / ANTERIORE

R Suffix = High Durability Sintered Pad. HH Suffix = High Performance Sintered Pad. TT Suffix = Hard Wearing Off Road Pad. V Suffix = Semi Sintered Pad. G Suffix = Grooved Shoe.
D Suffix = Drilled Disc. X Suffix = Universal Left or Right Disc. XC Suffix = Contoured Disc. LS Suffix = Left/Steel Disc. RS = Right/Steel Disc.

*-2 Sets Required. † For Vee disc colours add RED, BLU, GRN, GLD, ORG suffix to part number.

⊗ - Also available as a Vintage Motorcycle Disc. ★ - EPFA available. ⚙ Disc made of Billet steel. ♦ CE solid discs for Enduro use.

Non-JAPANESE Built Motorcycles

Line #	BRAKE DISC CHOICES - FRONT			DISC PAD CHOICES - REAR				BRAKE DISC CHOICES - REAR					
	SMX Oversize 320mm Disc Kit Front Left	Front disc bolt kit	Front Brake Line	FA, SFA, TT Pad or Brake Shoe	SFAC Carbon Scooter Pads	Speciality Pads - SXR / Vee / MXS	Sintered HH/R Pads/ Grooved Shoes	Standard Replacement Disc	Contour Disc Rear Fitment	Vee Discs CONTOUR	CX Extreme MX Race Disc / UTVX Disc	Rear disc bolt kit	Rear Brake Line
1				SFA498	SFAC498		SFA498HH	MD9129D		VR9129			
2				SFA607	SFAC607		SFA607HH	MD9129D		VR9129			
3				SFA607	SFAC607		SFA607HH						
4				FA355/4TT			FA355/4R	MD6268D					
5				FA377TT*			FA377R*	MD6267D					
6				FA377TT			FA377R	MD6267D					
7				SFA607	SFAC607		SFA607HH*						
8				SFA607	SFAC607		SFA607HH						
9				SFA607	SFAC607		SFA607HH						
10													
11				SFA607	SFAC607		SFA607HH	MD9100D					
12				SFA607	SFAC607		SFA607HH	MD9129D		VR9129			
13				SFA607	SFAC607		SFA607HH	MD9129D		VR9129			
14				SFA607			SFA607HH						
15				SFA607			SFA607HH						
16				SFA607	SFAC607		SFA607HH	MD9129D		VR9129			
17				SFA607	SFAC607		SFA607HH	MD9129D		VR9129			
18				SFA607	SFAC607		SFA607HH	MD9129D		VR9129			
19				FA395TT			FA395R	MD6173D					
20				FA395TT			FA395R	MD6173D					
21				SFA608			SFA608HH						
22				SFA608			SFA608HH						
23				FA395TT			FA395R	MD6173D					
24				FA395TT			FA395R						
25				FA395TT			FA395R	MD6173D					
26				FA395TT			FA395R						
27				FA395TT			FA395R						
28				FA377TT*			FA377R*						
29				FA377TT*			FA377R*						
30				FA600/2TT			FA600/2R						
31				FA600/2TT			FA600/2R						
32				FA377TT			FA377R	MD6376D			UTVX6376		
33				FA377TT			FA377R	MD6376D			UTVX6376		
34				SFA608			SFA608HH						
35				SFA608			SFA608HH						
36				SFA608			SFA608HH						
37				SFA608			SFA608HH						
38				SFA608			SFA608HH						
39				SFA719	SFAC719		SFA719HH	MD9173D					
40													
41				SFA719	SFAC719		SFA719HH	MD9173D					
42				FA600/2TT			FA600/2R						
43				FA600/2TT			FA600/2R						
44				FA600/2TT*			FA600/2R*						
45				SFA608			SFA608HH						
46				FA377TT			FA377R	MD6376D					
47				H307									
48													
49													
50				SFA086	SFAC086		SFA086HH						
51													
52													
53				SFA260	SFAC260								
54				SFA086	SFAC086		SFA086HH						
55													
56				SFA260	SFAC260								
57				SFA086	SFAC086		SFA086HH						
58													
59				SFA260	SFAC260								
60													

REAR / ARRIÈRE / HINTEN / POSTERIOR / POSTERIORE

R Suffix = High Durability Sintered Pad. **HH** Suffix = High Performance Sintered Pad. **TT** Suffix = Hard Wearing Off Road Pad. **V** Suffix = Semi Sintered Pad. **G** Suffix = Grooved Shoe.
D Suffix = Drilled Disc. **X** Suffix = Universal Left or Right Disc. **XC** Suffix = Contoured Disc. **LS** Suffix = Left/Steel Disc. **RS** = Right/Steel Disc.

*-2 Sets Required. † For Vee disc colours add RED, BLU, GRN, GLD, ORG suffix to part number.

⊙ - Also available as a Vintage Motorcycle Disc. ★ - EPFA available. ⚙ Disc made of Billet steel. ♦ CE solid discs for Enduro use.

Part numbers, prefixes, suffixes, photos and illustrations shown in this catalogue are trademarks and/or copyrights of EBC Brakes or the trademark owner A C Freeman Investments Ltd and use without express written permission of the owners is punishable by law.

Non-JAPANESE Built Motorcycles



LAVERDA

			DISC PAD CHOICES - FRONT				BRAKE DISC CHOICES - FRONT					Line #
			FA, SFA, TT Pad or Brake Shoe	SFAC Carbon Scooter Pads	Speciality Pads - SXR / Vee / MXS	Sintered/HH Pads/ Grooved Shoes	Standard Replacement Discs	Contour Disc Universal Left and Right	Vee-Discs Black † See note below	CX Extreme Disc / UTVX Disc	OSX Oversize 250mm or 280mm	
CR 50 Atlas	1987		FA047			FA047HH						1
Quasar 50	2002-2004		H338*			H338G*						2
Quasar 100	2002-2004		H338*			H338G*						3
GS 125 Lesmo	1986-1989		FA047*			FA047HH*						4
LB 125 Custom/Sabbia Strada/Sport	1985-1987		FA060									5
LZ 125 Sport	1980-1982		FA047			FA047HH						6
LZ 125 Sport	1980-1982		FA076			FA076HH						7
Phoenix 125/150/200	2001-2004		SFA306	SFAC306								8
Quasar 125 HP	2002-2004		H338*			H338G*						9
Quasar 125 HP Grip	2002-2004		H338*			H338G*						10
Quasar 180 HP Grip	2004		H338*			H338G*						11
Quasar 180 HP Grip	2004		H338*			H338G*						12
Quasar 4 x 4 400	2004		FA271TT*			FA271R*	MD6173D*					13
Alpino 500	1976		FA047*		FA047V*	FA047HH*						14
Quasar 4 x 4 500	2004		FA271TT*			FA271R*	MD6173D*					15
Quasar 4 x 4 500C	2004		FA271TT*			FA271R*	MD6173D*					16
650 All models	1994-1995		FA095*			FA095HH*★	MD2003X*	MD2003XC*	VR2003BLK*†			17
668 All models	1996-1998		FA095*			FA095HH*★	MD2003X*	MD2003XC*	VR2003BLK*†			18
750 All models	1998-2001		FA095*		FA095V*	FA095HH*★	MD2003X*	MD2003XC*	VR2003BLK*†			19
750 SF2	1974	Left	FA018*		FA018V*	FA018HH*	MD609LS					20
		Right					MD609RS					21
750 SF3	1976-1977	Left	FA018*		FA018V*	FA018HH*	MD609LS					22
		Right					MD609RS					23
750 SFC	1974	Left	FA018*		FA018V*	FA018HH*	MD609LS					24
		Right					MD609RS					25
1000 3C C	1974-1975	Left	FA018*		FA018V*	FA018HH*	MD609LS					26
		Right					MD609RS					27
1000 3CL CL	1976-1978	Left	FA018*		FA018V*	FA018HH*	MD609LS					28
		Right					MD609RS					29
1000 3CL Jarama/Jota	1979-1981	Left	FA018*		FA018V*	FA018HH*	MD609LS					30
		Right					MD609RS					31
1000 RGA/RGS Exec	1983	Left	FA018*		FA018V*	FA018HH*	MD609LS					32
		Right					MD609RS					33
1000 RGS	1982	Left	FA018*		FA018V*	FA018HH*	MD609LS					34
		Right					MD609RS					35
1000 RGS Corsa	1984	Left	FA077*		FA077V*		MD609ALS					36
		Right					MD609ARS					37
1000 SFC	1985-1986	Left	FA018*		FA018V*	FA018HH*	MD668LS					38
		Right					MD668RS					39
1000 SFC	2003-2004					FA322/4HH*★	MD621X*	MD621XC*	VR621BLK*†			40
Montjuic	1976		FA047*		FA047V*	FA047HH*						41
1200	1978-1979	Left	FA018*		FA018V*	FA018HH*	MD609LS					42
		Right					MD609RS					43
1200 TS/Mirage Mirage	1981	Left	FA018*		FA018V*	FA018HH*	MD609LS					44
		Right					MD609RS					45
												46
												47
												48
												49
												50
												51
												52
												53
												54
												55
												56
												57
												58
												59
												60

FRONT / AVANT / VORN / FRENTE / ANTERIORE

R Suffix = High Durability Sintered Pad. **HH** Suffix = High Performance Sintered Pad. **TT** Suffix = Hard Wearing Off Road Pad. **V** Suffix = Semi Sintered Pad. **G** Suffix = Grooved Shoe.

D Suffix = Drilled Disc. **X** Suffix = Universal Left or Right Disc. **XC** Suffix = Contoured Disc. **LS** Suffix = Left/Steel Disc. **RS** = Right/Steel Disc.

*-2 Sets Required. † For Vee disc colours add RED, BLU, GRN, GLD, ORG suffix to part number.

⊙ - Also available as a Vintage Motorcycle Disc. ★ - EPFA available. ⚙ Disc made of Billet steel. ♦ CE solid discs for Enduro use.

Non-JAPANESE Built Motorcycles

Line #	BRAKE DISC CHOICES - FRONT			DISC PAD CHOICES - REAR				BRAKE DISC CHOICES - REAR					
	SMX Oversize 320mm Disc Kit Front Left	Front disc bolt kit	Front Brake Line	FA, SFA, TT Pad or Brake Shoe	SFAC Carbon Scooter Pads	Speciality Pads - SXR / Vee / MXS	Sintered HH/R Pads/ Grooved Shoes	Standard Replacement Disc	Contour Disc Rear Fitment	Vee Discs CONTOUR	CX Extreme MX Race Disc / UTVX Disc	Rear disc bolt kit	Rear Brake Line
1				FA047			FA047HH						
2				H330			H330G						
3				H330			H330G						
4													
5				921									
6				921									
7				921									
8				SFA305	SFAC305								
9				H330			H330G						
10				H330			H330G						
11				H330			H330G						
12				H330			H330G						
13				FA271TT			FA271R	MD6173D					
14				FA047		FA047V	FA047HH						
15				FA271TT			FA271R	MD6173D					
16				FA271TT			FA271R	MD6173D					
17		DB201/6		FA047			FA047HH	MD2002	MD2002C				
18		DB201/6		FA047			FA047HH	MD2002	MD2002C				
19		DB201/6	BLM8160-2F	FA047			FA047HH	MD2002	MD2002C				
20													
21													
22				FA018		FA018V	FA018HH	MD609LS					
23				FA018		FA018V	FA018HH	MD609LS					
24				FA018		FA018V	FA018HH	MD609LS					
25				FA018		FA018V	FA018HH	MD609LS					
26				FA018		FA018V	FA018HH	MD609LS					
27				FA018		FA018V	FA018HH	MD609LS					
28				FA018		FA018V	FA018HH	MD609LS					
29				FA018		FA018V	FA018HH	MD609LS					
30				FA018		FA018V	FA018HH	MD609LS					BLM8161-1R
31				FA018		FA018V	FA018HH	MD609LS					
32				FA018		FA018V	FA018HH	MD609LS					
33				FA018		FA018V	FA018HH	MD609LS					
34				FA018		FA018V	FA018HH	MD609LS					
35				FA018		FA018V	FA018HH	MD609LS					
36				FA018		FA018V	FA018HH	MD609ALS					
37				FA018		FA018V	FA018HH	MD609LS					
38				FA018		FA018V	FA018HH	MD609LS					
39				FA266		FA266V	FA266HH★	MD613	MD613C				
40				FA047		FA047V	FA047HH	MD609LS					
41				FA018		FA018V	FA018HH	MD609LS					
42				FA018		FA018V	FA018HH	MD609LS					
43				FA018		FA018V	FA018HH	MD609LS					
44				FA018		FA018V	FA018HH	MD609LS					BLM8162-1R
45													
46													
47													
48							FA325R						
49													
50													
51				FA197			FA197HH★						
52				FA197			FA197HH★						
53				FA197			FA197HH★						
54				FA197			FA197HH★						
55				FA197			FA197HH★						
56				FA197			FA197HH★						
57				FA197			FA197HH★						
58				FA197			FA197HH★						
59													
60													

REAR / ARRIÈRE / HINTEN / POSTERIOR / POSTERIORE

R Suffix = High Durability Sintered Pad. **HH** Suffix = High Performance Sintered Pad. **TT** Suffix = Hard Wearing Off Road Pad. **V** Suffix = Semi Sintered Pad. **G** Suffix = Grooved Shoe.
D Suffix = Drilled Disc. **X** Suffix = Universal Left or Right Disc. **XC** Suffix = Contoured Disc. **LS** Suffix = Left/Steel Disc. **RS** = Right/Steel Disc.

BRAKE APPLICATIONS

*-2 Sets Required. † For Vee disc colours add RED, BLU, GRN, GLD, ORG suffix to part number.

⊙ - Also available as a Vintage Motorcycle Disc. ★ - EPFA available. ⚙ - Disc made of Billet steel. ♦ - CE solid discs for Enduro use.

Part numbers, prefixes, suffixes, photos and illustrations shown in this catalogue are trademarks and/or copyrights of EBC Brakes or the trademark owner A C Freeman Investments Ltd and use without express written permission of the owners is punishable by law.

Non-JAPANESE Built Motorcycles



LEXMOTO

Model	Year	DISC PAD CHOICES - FRONT				BRAKE DISC CHOICES - FRONT					Line #
		FA, SFA, TT Pad or Brake Shoe	SFAC Carbon Scooter Pads	Speciality Pads - SXR / Vee / MXS	Sintered/HH Pads/ Grooved Shoes	Standard Replacement Discs	Contour Disc Universal Left and Right	Vee-Discs Black † See note below	CX Extreme Disc / UTVX Disc	OSX Oversize 250mm or 280mm	
Echo 50 LJ50QT-3L	2023	FA086			FA086HH						1
FMR 50 WY50QT-58R	2015-2018	FA086			FA086HH	MD925D	MD925C	VR925			2
LSM 50 STR50	2012-2016	SFA086	SFAC086		SFA086HH	MD6124D			MD6124CX		3
Milano 50 FT50QT-27	2016-2018	SFA086	SFAC086		SFA086HH						4
Molly 50 DFE50QT-3	2015-2018	SFA169	SFAC169		SFA169HH	MD904D		VR904			5
Adrenaline 125 EFI XFLM125GY-2B-E4	2015-2018	SFA603	SFAC603		SFA603HH						6
Adrenaline 125 XFLM125GY-2B	2013-2018	FA135TT			FA135R	MD6124D			MD6124CX		7
Aspire 125 TD125-43	2012-2016	SFA086	SFAC086		SFA086HH	MD2104RS					8
Assault 125 Efi HJ125-J-E4	2019-2021	FA196			FA196HH★						9
Assault 125 Efi HJ125-J-E5	2022-2023	FA772									10
Detroit 125 SR125-E5	2022-2023	FA772									11
Enigma ZS 125 T-48	2018-2020	FA731			FA731R						12
FMR 125 EFI WY125T-74R-E4	2014-2018	SFA086	SFAC086		SFA086HH	MD925D	MD925C	VR925			13
FMR 125 WY125T-74R	2014-2018	SFA086	SFAC086		SFA086HH	MD925D	MD925C	VR925			14
FMS 125 WY125T-108	2015-2018	SFA197	SFAC197		SFA197HH						15
FMS 125 ZN125T-7H	2015-2018	SFA086	SFAC086		SFA086HH						16
Gladiator 125 SB125T-23B	2014-2018	SFA054	SFAC054		SFA054HH						17
Isca 125 SK125-L-E5	2022-2023	FA772									18
Kiden Aquarius KD125-G	2020-2021	FA731TT									19
LSM 125 STR125YB	2012-2018	SFA086	SFAC086		SFA086HH	MD6124D			MD6124CX		20
LS-Z 125 ZS125-39-E5	2022-2023	FA761									21
LXR SE 125 SY125-10-SE	2019-2021	FA095*			FA095HH*★						22
Matador 125 EFI ZS125T-40-E4	2013-2017	SFA197	SFAC197		SFA197HH						23
Matador 125 ZS125T-40	2013-2017	SFA086	SFAC086		SFA086HH	MD925D	MD925C	VR925			24
Michigan 125 EFI ZS125-79-E4	2013-2020	SFA197	SFAC197		SFA197HH						25
Michigan 125 ZS125-79	2013-2018	FA135TT			FA135R						26
Milano 125 EFI FT125T-27-E4	2016-2020	SFA086	SFAC086		SFA086HH						27
Milano 125 FT125T-27	2016-2018	SFA086	SFAC086		SFA086HH						28
RRS 125 Scrambler TR125-3-S-E5	2022-2023	SFA086	SFAC086								29
RRS 125 TR125-3-E5	2022-2023	FA761									30
Tempest GT Lj125-9A-GT-E5	2022-2023	FA711									31
Tempest Lj125-9A-E5	2022-2023	FA711									32
Tommy 125 ZN125T-E	2011-2017	SFA086	SFAC086		SFA086HH						33
Venom SK125-22-E4	2021	FA197			FA197HH★						34
Viper 125 SK125-22A	2021	FA722									35
XDV 125 LJ125T-18A-E5	2022-2023	SFA709	SFAC709								36
XTR-S 125	2013-2018	SFA197	SFAC197		SFA197HH						37
ZSB 125	2022-2023	SFA083	SFAC083								38
ZSX-F 125 ZS125-48E-E4	2016-2020	FA731TT			FA731R						39
ZSX-R 125 ZS125-48F-E4	2016-2020	FA731TT			FA731R						40
Vendetta 250 LJ250-3V	2019-2021	FA244		FA244V	FA244HH★						41
XDV 300 LJ300T-13A-E5	2022-2023	FA774									42
LXR 380 TR380-GP1	2019-2021	FA095*			FA095HH*★						43
Pioneer 500X	2023	FA196*		FA196V*	FA196HH*★						44
Cypher ZS1500D-2	2022-2023	SFA086	SFAC086								45
											46
											47
											48
											49
											50
											51
											52
											53
											54
											55
											56
											57
											58
											59
											60

FRONT / AVANT / VORN / FRENTE / ANTERIORE

R Suffix = High Durability Sintered Pad. HH Suffix = High Performance Sintered Pad. TT Suffix = Hard Wearing Off Road Pad. V Suffix = Semi Sintered Pad. G Suffix = Grooved Shoe.
D Suffix = Drilled Disc. X Suffix = Universal Left or Right Disc. XG Suffix = Contoured Disc. LS Suffix = Left/Steel Disc. RS = Right/Steel Disc.

*-2 Sets Required. † For Vee disc colours add RED, BLU, GRN, GLD, ORG suffix to part number.

⊗ - Also available as a Vintage Motorcycle Disc. ★ - EPFA available. ⚙ Disc made of Billet steel. ♦ CE solid discs for Enduro use.

Non-JAPANESE Built Motorcycles

Line #	BRAKE DISC CHOICES - FRONT			DISC PAD CHOICES - REAR				BRAKE DISC CHOICES - REAR					
	SMX Oversize 320mm Disc Kit Front Left	Front disc bolt kit	Front Brake Line	FA, SFA, TT Pad or Brake Shoe	SFAC Carbon Scooter Pads	Speciality Pads - SXR / Vee / MXS	Sintered HH/R Pads/ Grooved Shoes	Standard Replacement Disc	Contour Disc Rear Fitment	Vee Discs CONTOUR	CX Extreme MX Race Disc / UTVX Disc	Rear disc bolt kit	Rear Brake Line
1				H303									
2				H303			H303G						
3				SFA054	SFAC054		SFA054HH						
4				H303			H303G						
5				H303			H303G						
6				SFA054	SFAC054		SFA054HH						
7				SFA054	SFAC054		SFA054HH						
8				SFA464	SFAC464								
9				FA140			FA140HH						
10				FA140									
11				FA140									
12				TBC									
13				H303			H303G						
14				H303			H303G						
15				SFA054	SFAC054		SFA054HH						
16				SFA197	SFAC197		SFA197HH						
17				Y527			Y527G						
18				FA140									
19				SFA754									
20				SFA054	SFAC054		SFA054HH						
21				FA140									
22				FA140			FA140HH						
23				SFA197	SFAC197		SFA197HH						
24				S602			S602G						
25				SFA197	SFAC197		SFA197HH						
26													
27				FA165TT			FA165R						
28				H303			H303G						
29				FA140									
30				FA140									
31				FA343									
32				FA343									
33				H303			H303G						
34				SFA754									
35													
36				SFA375									
37				SFA086	SFAC086		SFA086HH						
38				FA140									
39				FA140									
40				FA140									
41				SFA415	SFAC415		SFA415HH						
42													
43				FA140			FA140HH						
44				FA140			FA140HH						
45				SFA260									
46													
47													
48				FA480									
49													
50													
51													
52													
53				FA453TT*			FA453R*						
54													
55				FA067TT			FA067R						
56													
57				FA067TT			FA067R						
58				SFA275	SFAC275		SFA275HH						
59				FA270TT			FA270R						
60				FA453TT			FA453R						

REAR / ARRIÈRE / HINTEN / POSTERIOR / POSTERIORE

R Suffix = High Durability Sintered Pad. HH Suffix = High Performance Sintered Pad. TT Suffix = Hard Wearing Off Road Pad. V Suffix = Semi Sintered Pad. G Suffix = Grooved Shoe.
D Suffix = Drilled Disc. X Suffix = Universal Left or Right Disc. XC Suffix = Contoured Disc. LS Suffix = Left/Steel Disc. RS = Right/Steel Disc.

BRAKE APPLICATIONS

*-2 Sets Required. † For Vee disc colours add RED, BLU, GRN, GLD, ORG suffix to part number.

⊗ - Also available as a Vintage Motorcycle Disc. ★ - EPFA available. Ⓢ Disc made of Billet steel. ◆ CE solid discs for Enduro use.

Part numbers, prefixes, suffixes, photos and illustrations shown in this catalogue are trademarks and/or copyrights of EBC Brakes or the trademark owner A C Freeman Investments Ltd and use without express written permission of the owners is punishable by law.

Non-JAPANESE Built Motorcycles



LINHAI Contd.

CUV Carry 300	2007-2009
Main Street 300cc Scooter	2007-2009
Muddy 300 4 x 4 ATV	2007-2009
ATV 310 4 x 2	2013
ATV 320 4 x 4 Carrier	2013
ATV 420 4 x 2/LoF	2013
ATV 420 4 x 4/Carrier LoF	2013
ATV 420 4 x 4/LoF	2013
ATV 600 EFI 4 x 4/LoF	2013

LML

Star 125 All models	2010-2014
Star 125i All models	2010-2015
Star Deluxe 125	2001-2003
Star Deluxe 125	2001-2003
Star 150 All models	2010-2014
Star 150 All models	2010-2014
Star Deluxe 150	2001-2003
Star Deluxe 150	2001-2003
Star 151i All models	2010-2015
Star 200i All models	2010-2015

MAGNI

Sport 1200 S	2001
--------------	------

MAHINDRA

Mojo XT 300	2020
-------------	------

MAICO

250 MX	1994-1998
All models	1984
All models	1985
All models	1986-1988
All models	1989-1993
500 MX	1994-1998
500 MX/Enduro	1999

MALAGUTI

50 America	1991
50 Custom Fox	1987
50 Dribbling	1987
50 Enduro Dune	1987
50 Enduro Gold MDX	1987
50 Enduro MEX	1985-1986
50 Enduro MEX	1987
50 Enduro MGX	1987
50 Enduro MLX	1987
50 Enduro MSX	1985
50 Enduro RCX-W/Sahib	1983
50 Evolution	1991
50 Fifty Full/CX	1983
50 Fifty HF	1982
50 Fifty HF/NL 4 gears	1987
50 Fifty RV	1990-2000
50 Fifty Top	1985
50 Grizzly RCX 10	1990-2000
50 Grizzly RCX 12	1990-2000
50 LX Sport	1982
50 MXR	1989
50 Raid	1991

DISC PAD CHOICES - FRONT				BRAKE DISC CHOICES - FRONT					Line #
FA, SFA, TT Pad or Brake Shoe	SFAC Carbon Scooter Pads	Speciality Pads - SXR / Vee / MXS	Sintered/HH Pads/ Grooved Shoes	Standard Replacement Discs	Contour Disc Universal Left and Right	Vee-Discs Black † See note below	CX Extreme Disc / UTVX Disc	OSX Oversize 250mm or 280mm	
FA453TT*			FA453R*						1
SFA199	SFAC199		SFA199HH						2
FA453TT*			FA453R*						3
FA453TT*			FA453R*						4
FA453TT*			FA453R*						5
FA453TT*			FA453R*						6
FA453TT*			FA453R*						7
FA453TT*			FA453R*						8
									9
									10
									11
SFA186	SFAC186			MD910D		VR910			12
SFA186	SFAC186			MD910D		VR910			13
V903									14
SFA186	SFAC186			MD910D		VR910			15
SFA186	SFAC186			MD910D		VR910			16
SFA186	SFAC186			MD910D		VR910			17
V903									18
SFA186	SFAC186			MD910D		VR910			19
SFA186	SFAC186			MD910D		VR910			20
SFA186	SFAC186			MD910D		VR910			21
									22
									23
FA244*			FA244HH*★						24
									25
									26
FA095									27
									28
									29
FA132			FA132R						30
			821G						31
FA047									32
FA106TT			FA106R						33
FA132			FA132R						34
FA132			FA132R						35
FA181TT		MXS181	FA181R						36
									37
									38
SFA173									39
931									40
931									41
FA099									42
FA067/3									43
FA047									44
FA067/3									45
			922G						46
FA116									47
FA067/3									48
FA099									49
FA099									50
FA099									51
FA050									52
			922G						53
931									54
FA099									55
									56
931									57
FA050									58
FA060									59
FA099									60

FRONT / AVANT / VORN / FRENTE / ANTERIORE

R Suffix = High Durability Sintered Pad. HH Suffix = High Performance Sintered Pad. TT Suffix = Hard Wearing Off Road Pad. V Suffix = Semi Sintered Pad. G Suffix = Grooved Shoe.
D Suffix = Drilled Disc. X Suffix = Universal Left or Right Disc. XC Suffix = Contoured Disc. LS Suffix = Left/Steel Disc. RS = Right/Steel Disc.

*-2 Sets Required. † For Vee disc colours add RED, BLU, GRN, GLD, ORG suffix to part number.

⊗ - Also available as a Vintage Motorcycle Disc. ★ - EPFA available. ⚙ Disc made of Billet steel. ♦ CE solid discs for Enduro use.

290 Part numbers, prefixes, suffixes, photos and illustrations shown in this catalogue are trademarks and/or copyrights of EBC Brakes or the trademark owner A C Freeman Investments Ltd and use without express written permission of the owners is punishable by law.

Non-JAPANESE Built Motorcycles

Line #	BRAKE DISC CHOICES - FRONT			DISC PAD CHOICES - REAR				BRAKE DISC CHOICES - REAR					
	SMX Oversize 320mm Disc Kit Front Left	Front disc bolt kit	Front Brake Line	FA, SFA, TT Pad or Brake Shoe	SFAC Carbon Scooter Pads	Speciality Pads - SXR / Vee / MXS	Sintered HH/R Pads/ Grooved Shoes	Standard Replacement Disc	Contour Disc Rear Fitment	Vee Discs CONTOUR	CX Extreme MX Race Disc / UTVX Disc	Rear disc bolt kit	Rear Brake Line
1				FA453TT*			FA453R*						
2				SFA275	SFAC275		SFA275HH						
3				FA453TT			FA453R						
4				FA453TT			FA453R						
5				FA453TT			FA453R						
6				FA453TT			FA453R						
7				FA453TT			FA453R						
8				FA453TT			FA453R						
9				FA453TT*			FA453R*						
10													
11													
12				V903									
13				V903									
14				V903									
15				V903									
16				V903									
17				V903									
18				V903									
19				V903									
20				V903									
21				V903									
22													
23													
24				FA063			FA063HH						
25													
26													
27				FA197									
28													
29													
30				FA132			FA132R						
31							822G						
32							822G						
33				FA106TT			FA106R						
34				FA132			FA132R						
35				FA067			FA067R						
36				FA208TT		MXS208	FA208R						
37													
38													
39				893									
40				931									
41				931									
42				FA099									
43							922G						
44							922G						
45							922G						
46							922G						
47							922G						
48							922G						
49							930G						
50													
51							926G						
52							926G						
53							922G						
54				931									
55				926									
56				931									
57				931									
58				908									
59													
60				893									

REAR / ARRIÈRE / HINTEN / POSTERIOR / POSTERIORE

R Suffix = High Durability Sintered Pad. **HH** Suffix = High Performance Sintered Pad. **TT** Suffix = Hard Wearing Off Road Pad. **V** Suffix = Semi Sintered Pad. **G** Suffix = Grooved Shoe.
D Suffix = Drilled Disc. **X** Suffix = Universal Left or Right Disc. **XC** Suffix = Contoured Disc. **LS** Suffix = Left/Steel Disc. **RS** = Right/Steel Disc.

BRAKE APPLICATIONS

*-2 Sets Required. † For Vee disc colours add RED, BLU, GRN, GLD, ORG suffix to part number.

⊙ - Also available as a Vintage Motorcycle Disc. ★ - EPFA available. ⚙ Disc made of Billet steel. ♦ CE solid discs for Enduro use.

Part numbers, prefixes, suffixes, photos and illustrations shown in this catalogue are trademarks and/or copyrights of EBC Brakes or the trademark owner A C Freeman Investments Ltd and use without express written permission of the owners is punishable by law.

Non-JAPANESE Built Motorcycles



MALAGUTI Contd.



DISC PAD CHOICES - FRONT

BRAKE DISC CHOICES - FRONT

R Suffix = High Durability Sintered Pad. **HH** Suffix = High Performance Sintered Pad. **TT** Suffix = Hard Wearing Off Road Pad. **V** Suffix = Semi Sintered Pad. **G** Suffix = Grooved Shoe.
D Suffix = Drilled Disc. **X** Suffix = Universal Left or Right Disc. **XC** Suffix = Contoured Disc. **LS** Suffix = Left/Steel Disc. **RS** = Right/Steel Disc.

FRONT / AVANT / VORN / VORN / FRENTE / ANTERIORE

	FA, SFA, TT Pad or Brake Shoe	SFAC Carbon Scooter Pads	Speciality Pads - SXR / Vee / MXS	Sintered/HH Pads/ Grooved Shoes	Standard Replacement Discs	Contour Disc Universal Left and Right	Vee-Discs Black † See note below	CX Extreme Disc / UTVX Disc	OSX Oversize 250mm or 280mm
50 Ranocchio 3 Wheels	931								
50 RGT Sport	FA099								
50 RGT Strada	FA099								
50 Ronco RCW	FA050								
50 RST Sport	FA099								
50 Watercooled	FA050								
Centro 50/SL	SFA083	SFAC083		SFA083HH					
Centro Base 50				926G					
Centro SL/SL Cat 50	SFA116				MD902D		VR902		
Chopper 25/40	FA050								
Ciak	SFA193	SFAC193		SFA193HH	MD946D				
Ciak 50	SFA193	SFAC193		SFA193HH	MD955D				
Ciak 50 Master	SFA193	SFAC193		SFA193HH	MD955D				
Ciak 50 Twin Disc	SFA193	SFAC193		SFA193HH	MD955D				
Crosser CR1	SFA099				MD901D		VR901		
Crosser CR1	SFA116				MD901D		VR901		
Drakon S	FA266			FA266HH					
F10 Jetline 50	SFA173				MD915D		VR915		
F10 Jetline 50	SFA193	SFAC193		SFA193HH	MD915D		VR915		
F10 Jetline WAP	SFA193	SFAC193		SFA193HH	MD915D		VR915		
F10 Tribal	SFA193	SFAC193		SFA193HH	MD915D		VR915		
F10 WAP	SFA083	SFAC083		SFA083HH					
F12 Phantom	SFA193	SFAC193		SFA193HH	MD946D				
F12 Phantom	SFA193	SFAC193		SFA193HH	MD946D				
F12 Phantom 50	SFA116								
F12 Phantom 50					MD901D		VR901		
F12 Phantom 50	SFA116				MD946D				
F15 50 Firefox	SFA116				MD901D		VR901		
F15 50 Firefox	SFA116				MD901D		VR901		
F15 Firefox	SFA193	SFAC193		SFA193HH	MD946D				
F15 Firefox	SFA193	SFAC193		SFA193HH	MD946D				
Grizzly 10 50									
Grizzly 10 50 CE									
Grizzly 12 CE	931								
Grizzly Quad	FA050								
Grizzly RCW4									
Malbo Line - DVD	SFA169	SFAC169		SFA169HH	MD904D		VR904		
NKD 50 Drakon	FA266			FA266HH					
Phantom F12	SFA099				MD901D		VR901		
Phantom F12R 50	SFA193	SFAC193		SFA193HH					
Phantom F12R 50	SFA193	SFAC193		SFA193HH					
VA Olympique	FA050								
XSM 50 Super Motard	FA194			FA194HH	MD6279D				
XTM 50	FA115			FA115HH					
Yesterday	SFA116				MD915D		VR915		
F69 Phantom 70cc	SFA193	SFAC193		SFA193HH	MD936D		VR936		
Chopper 80	FA050								
Enduro MDX 80	FA047								
Ciak 100	SFA193	SFAC193		SFA193HH	MD955D				
Phantom 100 F12	SFA193	SFAC193		SFA193HH	MD946D				
Blog 125 ie	SFA228	SFAC228		SFA228HH					
Centro 125 ie/SL	SFA228	SFAC228		SFA228HH					
Madison 125-3	SFA194	SFAC194		SFA194HH					
R 125 Madison	SFA194	SFAC194		SFA194HH	MD966D		VR966		
X3M Enduro 125	FA350			FA350HH					
X3M Motard 125	FA194			FA194HH					
Ciak 125/150	SFA047			SFA047HH	MD955D				
F18 Warrior 125/150	SFA047			SFA047HH					
Blog 160 ie	SFA228	SFAC228		SFA228HH					
Centro 160 ie/SL	SFA228	SFAC228		SFA228HH					

Line #
1
2
3
4
5
6
7
8
9
10
11
12
13
14
15
16
17
18
19
20
21
22
23
24
25
26
27
28
29
30
31
32
33
34
35
36
37
38
39
40
41
42
43
44
45
46
47
48
49
50
51
52
53
54
55
56
57
58
59
60

*-2 Sets Required. † For Vee disc colours add RED, BLU, GRN, GLD, ORG suffix to part number.

⊗ - Also available as a Vintage Motorcycle Disc. ★ - EPFA available. ⚙ - Disc made of Billet steel. ♦ - CE solid discs for Enduro use.

Non-JAPANESE Built Motorcycles

Line #	BRAKE DISC CHOICES - FRONT			DISC PAD CHOICES - REAR				BRAKE DISC CHOICES - REAR					
	SMX Oversize 320mm Disc Kit Front Left	Front disc bolt kit	Front Brake Line	FA, SFA, TT Pad or Brake Shoe	SFAC Carbon Scooter Pads	Speciality Pads - SXR / Vee / MXS	Sintered HH/R Pads/ Grooved Shoes	Standard Replacement Disc	Contour Disc Rear Fitment	Vee Discs CONTOUR	CX Extreme MX Race Disc / UTVX Disc	Rear disc bolt kit	Rear Brake Line
1				931									
2							922G						
3				931									
4				908									
5				FA099									
6							926G						
7				816									
8				893									
9				893									
10				908									
11													
12				893									
13				816									
14				SFA193	SFAC193		SFA193HH	MD901D					
15				807									
16				807									
17				FA115			FA115HH						
18				893									
19				893									
20				893									
21				893									
22				893									
23				SFA193	SFAC193		SFA193HH	MD901D					
24				893									
25				893									
26				SFA193				MD901D					
27				SFA193				MD901D					
28				893									
29				SFA193				MD901D					
30				893			SFA193HH						
31				SFA193	SFAC193		SFA193HH	MD901D					
32				931									
33				931									
34				931									
35				931									
36				931									
37				Y503									
38				FA115			FA115HH						
39				893									
40				893									
41				SFA193	SFAC193		SFA193HH						
42				908									
43				FA115			FA115HH						
44				FA115			FA115HH						
45				893									
46				893									
47				908									
48													
49				SFA193	SFAC193		SFA193HH	MD901D					
50				SFA193	SFAC193		SFA193HH	MD901D					
51				SFA101	SFAC101		SFA101HH						
52				SFA101	SFAC101		SFA101HH						
53				SFA266	SFAC266		SFA266HH						
54				SFA298	SFAC298		SFA298HH	MD966D		VR966			
55				FA115			FA115HH						
56				FA115			FA115HH						
57				818									
58				SFA298	SFAC298		SFA298HH	MD946D					
59				SFA101	SFAC101		SFA101HH						
60				SFA101	SFAC101		SFA101HH						

REAR / ARRIÈRE / HINTEN / POSTERIOR / POSTERIORE

R Suffix = High Durability Sintered Pad. **HH** Suffix = High Performance Sintered Pad. **TT** Suffix = Hard Wearing Off Road Pad. **V** Suffix = Semi Sintered Pad. **G** Suffix = Grooved Shoe.
D Suffix = Drilled Disc. **X** Suffix = Universal Left or Right Disc. **XC** Suffix = Contoured Disc. **LS** Suffix = Left/Steel Disc. **RS** = Right/Steel Disc.

BRAKE APPLICATIONS

*-2 Sets Required. † For Vee disc colours add RED, BLU, GRN, GLD, ORG suffix to part number.

⊙ - Also available as a Vintage Motorcycle Disc. ★ - EPFA available. ⚙ - Disc made of Billet steel. ♦ - CE solid discs for Enduro use.

Part numbers, prefixes, suffixes, photos and illustrations shown in this catalogue are trademarks and/or copyrights of EBC Brakes or the trademark owner A C Freeman Investments Ltd and use without express written permission of the owners is punishable by law.

Non-JAPANESE Built Motorcycles



MALANCA

Madison T 125/150/180	1999-2003
Ciak 200	2006-2008
Madison S 200	2004
Phantom Max 125/200	2004-2008
Madison 250 ie 3	2006-2010
Madison S 250	1999-2003
Password 250	2005-2011
Phantom Max 250	2004-2008
RS 250 Madison	2004-2007
Madison K 400	2002-2006
Spider Max GT 500	2004-2010
Spider Max RS 500	2004-2011
125 Mark Enduro	1984
125 Mark Enduro	1985
125 Ob One M6	1985
125 Ob One M6 Racing	1985

MASAI

K50	2005-2007
L50	2005-2007
L100	2005-2007
L150	2005-2007
A300 Quad	2005-2007
A450 Quad	2005-2007

MASH

Bibop 50	2014-2016
Bibop Racing 50	2014-2016
City 50cc	2018
Dirt Track 50cc	2018-2020
Fifty 50cc Roadstar 50	2018-2023
Black Seven 125cc	2017-2023
Brown Edition 125cc	2018-2020
Café Racer 125	2014-2016
Café Racer 125	2017-2020
City 125cc	2018-2020
Dirt Track 125cc	2018-2020
Scrambler 125	2014-2016
Seventy 125	2014-2023
Seventy Five 125	2014-2016
Seventy Five 125 Classic	2017-2020
Sixty Five 125	2013-2015
Black Seven 250cc	2017-2020
Café Racer 250cc	2017-2018
Dirt Track 250cc	2019-2020
Two Fifty 250	2014-2016
Two Fifty 250	2017-2023
Family Side 400cc Side Car Outfit	2018-2020
Roadstar 400 Five Hundred	2013-2023
Scrambler 400cc Dirtstar 400	2017-2020
TT40 400cc Trackstar	2017-2020
650 X-Ride Classic	2020-2023

MASSEY-FERGUSON ATV

MF 250	2004
MF 300	2004
MF 400	2004
MF 400	2004
MF 400	2005-2009
MF 500	2004

DISC PAD CHOICES - FRONT				BRAKE DISC CHOICES - FRONT					Line #
FA, SFA, TT Pad or Brake Shoe	SFAC Carbon Scooter Pads	Speciality Pads - SXR / Vee / MXS	Sintered/HH Pads/ Grooved Shoes	Standard Replacement Discs	Contour Disc Universal Left and Right	Vee-Discs Black † See note below	CX Extreme Disc / UTVX Disc	OSX Oversize 250mm or 280mm	
SFA194	SFAC194		SFA194HH	MD966D		VR966			1
SFA047			SFA047HH	MD955D					2
SFA194	SFAC194		SFA194HH	MD966D		VR966			3
SFA194	SFAC194		SFA194HH	MD966D		VR966			4
SFA194	SFAC194		SFA194HH						5
SFA324	SFAC324		SFA324HH	MD967D					6
SFA194	SFAC194		SFA194HH						7
SFA194	SFAC194		SFA194HH	MD966D		VR966			8
SFA194	SFAC194		SFA194HH	MD966D		VR966			9
SFA324	SFAC324		SFA324HH	MD969D					10
SFA256*	SFAC256*		SFA256HH*	MD969D					11
SFA256*	SFAC256*		SFA256HH*	MD969D					12
FA047									13
FA060									14
FA060									15
FA060*									16
									17
									18
									19
									20
									21
									22
FA083TT*			FA083R*						23
FA083TT*			FA083R*						24
									25
									26
SFA235	SFAC235			MD923D		VR923			27
SFA235	SFAC235			MD923D		VR923			28
SFA086	SFAC086		SFA086HH						29
FA093									30
FA093									31
FA722									32
									33
FA228			FA228HH						34
									35
SFA086	SFAC086		SFA086HH						36
									37
FA093									38
FA093									39
FA228			FA228HH						40
									41
SFA086	SFAC086		SFA086HH	MD923D		VR923			42
FA086			FA086HH						43
FA086			FA086HH						44
FA086			FA086HH						45
FA086			FA086HH						46
FA086			FA086HH						47
FA142			FA142HH						48
FA142			FA142HH	MD1001					49
FA142			FA142HH						50
FA095			FA095HH★						51
			FA296HH★						52
									53
									54
FA271TT*			FA271R*	MD6173D*					55
FA271TT*			FA271R*	MD6173D*					56
FA271TT*			FA271R*	MD6173D*					57
FA271TT*			FA271R*	MD6173D*					58
FA395TT*			FA395R*	MD6173D*					59
FA271TT*			FA271R*	MD6173D*					60

FRONT / AVANT / VORN / FRENTE / ANTERIORE

R Suffix = High Durability Sintered Pad. HH Suffix = High Performance Sintered Pad. TT Suffix = Hard Wearing Off Road Pad. V Suffix = Semi Sintered Pad. G Suffix = Grooved Shoe.
D Suffix = Drilled Disc. X Suffix = Universal Left or Right Disc. XC Suffix = Contoured Disc. LS Suffix = Left/Steel Disc. RS = Right/Steel Disc.

*-2 Sets Required. † For Vee disc colours add RED, BLU, GRN, GLD, ORG suffix to part number.

⊗ - Also available as a Vintage Motorcycle Disc. ★ - EPFA available. ⚙ Disc made of Billet steel. ♦ CE solid discs for Enduro use.

Non-JAPANESE Built Motorcycles

BRAKE APPLICATIONS

Line #	BRAKE DISC CHOICES - FRONT			DISC PAD CHOICES - REAR				BRAKE DISC CHOICES - REAR					
	SMX Oversize 320mm Disc Kit Front Left	Front disc bolt kit	Front Brake Line	FA, SFA, TT Pad or Brake Shoe	SFAC Carbon Scooter Pads	Speciality Pads - SXR / Vee / MXS	Sintered HH/R Pads/ Grooved Shoes	Standard Replacement Disc	Contour Disc Rear Fitment	Vee Discs CONTOUR	CX Extreme MX Race Disc / UTVX Disc	Rear disc bolt kit	Rear Brake Line
1				SFA298	SFAC298		SFA298HH	MD966D		VR966			
2				818									
3				SFA298	SFAC298		SFA298HH	MD966D		VR966			
4				SFA298	SFAC298		SFA298HH	MD966D		VR966			
5				SFA266	SFAC266		SFA266HH						
6				SFA298	SFAC298		SFA298HH	MD966D					
7				SFA298	SFAC298		SFA298HH						
8				SFA298	SFAC298		SFA298HH	MD966D		VR966			
9				SFA298	SFAC298		SFA298HH	MD966D		VR966			
10				SFA298	SFAC298		SFA298HH	MD967D					
11				SFA266	SFAC266		SFA266HH	MD6125D					
12				SFA266	SFAC266		SFA266HH	MD6125D					
13													
14							841G						
15				FA060									
16				FA060									
17													
18													
19				FA232TT			FA232R						
20				FA232TT			FA232R						
21				FA083TT			FA083R						
22				FA083TT			FA083R						
23				FA355/4TT			FA355/4R						
24				FA355/4TT			FA355/4R						
25													
26													
27				806									
28				806									
29				SFA086	SFAC086		SFA086HH						
30													
31				806									
32				FA054TT									
33				FA054TT									
34				FA054TT			FA054HH						
35				FA054TT									
36				SFA086	SFAC086		SFA086HH						
37				FA054TT									
38				H303									
39				H303									
40				FA054TT			FA054HH						
41				FA054TT									
42													
43				FA054TT			FA054HH						
44				FA054TT			FA054HH						
45				FA054TT			FA054HH						
46				FA350									
47				FA054TT			FA054HH						
48				FA086			FA086HH						
49		DB102/6		H351									
50													
51													
52				FA213			FA213HH★						
53													
54													
55				FA271TT			FA271R	MD6173D					
56				FA271TT			FA271R	MD6173D					
57				FA271TT			FA271R	MD6173D					
58				FA271TT			FA271R	MD6173D					
59				FA395TT			FA395R	MD6173D					
60				FA271TT			FA271R	MD6173D					

REAR / ARRIÈRE / HINTEN / POSTERIOR / POSTERIORE

R Suffix = High Durability Sintered Pad. **HH** Suffix = High Performance Sintered Pad. **TT** Suffix = Hard Wearing Off Road Pad. **V** Suffix = Semi Sintered Pad. **G** Suffix = Grooved Shoe.
D Suffix = Drilled Disc. **X** Suffix = Universal Left or Right Disc. **XC** Suffix = Contoured Disc. **LS** Suffix = Left/Steel Disc. **RS** = Right/Steel Disc.

*-2 Sets Required. † For Vee disc colours add RED, BLU, GRN, GLD, ORG suffix to part number.

⊙ - Also available as a Vintage Motorcycle Disc. ★ - EPFA available. ⚙ Disc made of Billet steel. ♦ CE solid discs for Enduro use.

Part numbers, prefixes, suffixes, photos and illustrations shown in this catalogue are trademarks and/or copyrights of EBC Brakes or the trademark owner A C Freeman Investments Ltd and use without express written permission of the owners is punishable by law.

Non-JAPANESE Built Motorcycles



MASSEY-FERGUSON ATV



Contd.

MF 500	2004
MF 500	2004
MF 500	2005-2009
MF 650	2005-2009
MF 650	2005-2009
MF 700 Diesel	2005-2008

MBK

CR 50 Z Target	1991-1995
CS 50 Mach G AC	2002-2005
CS 50 Mach G AC	2006-2010
CS 50 Mach G LC	2003-2005
CS 50 Mach G LC	2006-2010
CT 50 Sorriso S	1991-1992
CT 50 Sorriso SS	1993-1995
CV 50 Evolis	1997
CW 50 Booster	1990-1991
CW 50 Booster	1992-1994
CW 50 Booster	2006-2010
CW 50 Booster	2006-2010
CW 50 Booster	2009-2010
CW 50 Booster	2009
CW 50 Booster R Road	1994-1995
CW 50 Booster RS	2005-2006
CW 50 Booster RS NG	1995-1998
CW 50 Booster RS NG	2001-2006
CW 50 Booster RS Spirit	1999-2006
CW 50 Booster RSX Track	1996-1998
CW 50 Booster Spirit	1996-1998
CW 50 Booster Spirit	2009
CW 50 Fizz 50	1993-1997
CW 50 Power Rocket	2006
CW 50 RSP Rocket R	1997-1998
CY 50 Forte/Forte Mufa	1996-1997
EW 50 Stunt	2000-2006
EW 50 Stunt	2005-2010
TZR 50 X Power	2003-2010
TZR 50 X-Power	2000
X Limit 50cc Enduro	2003-2010
X Limit 50cc Supermoto	2003-2010
XF 50 Booster X	2007-2010
YA 50 R Forte	1994-1995
YA 50 TA Sorriso	1995-1996
YE 50 Evolis	1992-1995
YH 50 Flipper	1998-2010
YM 50 Fizz	1994-1995
YN 50 Ovetto	1998-2010
YN 50 Ovetto	2009-2010
YQ 50 Nitro	1997-2010
YQ 50 Nitro	2006-2010
CV 80 Evolis	1997
YN 100 Ovetto	1999-2002
YQ 100 Nitro	2001-2003
YW 100 Booster 100	1999-2002
NXC 125 Flame X	2004-2006
NXC 125 Flame X	2007-2012
VP 125 Cityliner	2008-2010
XC 125 Flame	1996-2003
XC 125 Flame T	1995-1996
XC 125 WAAP	2008-2010

		DISC PAD CHOICES - FRONT			BRAKE DISC CHOICES - FRONT						
		FA, SFA, TT Pad or Brake Shoe	SFAC Carbon Scooter Pads	Speciality Pads - SXR / Vee / MXS	Sintered/HH Pads/ Grooved Shoes	Standard Replacement Discs	Contour Disc Universal Left and Right	Vee-Discs Black † See note below	CX Extreme Disc / UTVX Disc	OSX Oversize 250mm or 280mm	Line #
		FA271TT*			FA271R*	MD6173D*					1
		FA271TT*			FA271R*	MD6173D*					2
		FA395TT*			FA395R*	MD6173D*					3
		FA395TT*			FA395R*	MD6173D*					4
		FA395TT*			FA395R*	MD6173D*					5
		FA395TT*			FA395R*	MD6173D*					6
											7
											8
		SFA169	SFAC169		SFA169HH	MD904D		VR904			9
		SFA193	SFAC193		SFA193HH	MD943D	MD943C	VR943			10
		SFA193	SFAC193		SFA193HH	MD943D	MD943C	VR943			11
		SFA193	SFAC193		SFA193HH	MD943D	MD943C	VR943			12
		SFA193	SFAC193		SFA193HH	MD943D	MD943C	VR943			13
		Y503									14
		Y503									15
		SFA193	SFAC193		SFA193HH	MD904D		VR904			16
		Y503									17
		Y503									18
		SFA193	SFAC193		SFA193HH	MD916D					19
		SFA193	SFAC193		SFA193HH	MD916D					20
		SFA193	SFAC193		SFA193HH	MD916D					21
		SFA193	SFAC193		SFA193HH	MD916D					22
		SFA193	SFAC193		SFA193HH	MD904D		VR904			23
		SFA193	SFAC193		SFA193HH	MD916D					24
		SFA193	SFAC193		SFA193HH	MD916D					25
		SFA193	SFAC193		SFA193HH	MD923D		VR923			26
		SFA193	SFAC193		SFA193HH	MD916D					27
		SFA193	SFAC193		SFA193HH	MD916D					28
		SFA193	SFAC193		SFA193HH	MD916D					29
		SFA193	SFAC193		SFA193HH	MD916D					30
		SFA193	SFAC193		SFA193HH	MD916D					31
		SFA193	SFAC193		SFA193HH	MD916D					32
		SFA193	SFAC193		SFA193HH	MD916D					33
		SFA169	SFAC169		SFA169HH	MD904D		VR904			34
		SFA268	SFAC268		SFA268HH	MD923D		VR923			35
		SFA268	SFAC268		SFA268HH	MD923D		VR923			36
		FA194			FA194HH	MD672LS					37
		FA165TT	SFAC165		FA165HH	MD2067					38
		FA350			FA350HH	MD6297D					39
		FA194			FA194HH	MD6297D					40
		Y530									41
		SFA193	SFAC193		SFA193HH	MD904D		VR904			42
		Y503									43
		SFA193	SFAC193		SFA193HH	MD904D		VR904			44
		SFA193	SFAC193		SFA193HH	MD928D					45
		SFA193	SFAC193		SFA193HH	MD904D		VR904			46
		SFA193	SFAC193		SFA193HH	MD943D	MD943C	VR943			47
		SFA193	SFAC193		SFA193HH	MD943D	MD943C	VR943			48
		SFA193	SFAC193		SFA193HH	MD923D		VR923			49
		SFA193	SFAC193		SFA193HH	MD923D		VR923			50
		SFA193	SFAC193		SFA193HH	MD904D		VR904			51
		SFA193	SFAC193		SFA193HH	MD943D	MD943C	VR943			52
		SFA193	SFAC193		SFA193HH	MD923D		VR923			53
		SFA169	SFAC169		SFA169HH						54
		SFA393	SFAC393			MD986D		VR986			55
		SFA393	SFAC393			MD9133D		VR9133			56
		SFA196	SFAC196		SFA196HH	MD9130D					57
		SFA101	SFAC101		SFA101HH						58
		Y527									59
		SFA464	SFAC464			MD9127D		VR9127			60

FRONT / AVANT / VORN / FRENTE / ANTERIORE

R Suffix = High Durability Sintered Pad. HH Suffix = High Performance Sintered Pad. TT Suffix = Hard Wearing Off Road Pad. V Suffix = Semi Sintered Pad. G Suffix = Grooved Shoe.
D Suffix = Drilled Disc. X Suffix = Universal Left or Right Disc. XC Suffix = Contoured Disc. LS Suffix = Left/Steel Disc. RS = Right/Steel Disc.

*-2 Sets Required. † For Vee disc colours add RED, BLU, GRN, GLD, ORG suffix to part number.

⊗ - Also available as a Vintage Motorcycle Disc. ★ - EPFA available. ⚙ Disc made of Billet steel. ♦ CE solid discs for Enduro use.

Non-JAPANESE Built Motorcycles

Line #	BRAKE DISC CHOICES - FRONT			DISC PAD CHOICES - REAR				BRAKE DISC CHOICES - REAR					
	SMX Oversize 320mm Disc Kit Front Left	Front disc bolt kit	Front Brake Line	FA, SFA, TT Pad or Brake Shoe	SFAC Carbon Scooter Pads	Speciality Pads - SXR / Vee / MXS	Sintered HH/R Pads/ Grooved Shoes	Standard Replacement Disc	Contour Disc Rear Fitment	Vee Discs CONTOUR	CX Extreme MX Race Disc / UTVX Disc	Rear disc bolt kit	Rear Brake Line
1				FA271TT			FA271R	MD6173D					
2				FA271TT			FA271R	MD6173D					
3				FA395TT			FA395R	MD6173D					
4				FA395TT			FA395R	MD6173D					
5				FA395TT			FA395R	MD6173D					
6				FA395TT			FA395R	MD6173D					
7													
8													
9				Y503									
10				Y503									
11				Y530									
12				Y503									
13				Y530									
14				Y503									
15				Y503									
16				Y503									
17				Y503									
18				Y503									
19				Y503									
20				Y503									
21				Y503									
22				Y503									
23				Y503									
24				Y503									
25				Y503									
26				Y503									
27				Y503									
28				Y503									
29				Y503									
30				Y503									
31				Y503									
32				Y503									
33				Y503									
34				Y503									
35				Y503									
36				Y503									
37				FA115			FA115HH	MD2113					
38				FA101TT				MD2077					
39				FA350			FA350HH	MD6280D					
40				FA350			FA350HH	MD6280D					
41				Y530									
42				Y503									
43				Y503									
44				Y503									
45				Y503									
46				Y503									
47				Y503									
48				Y503									
49				SFA268	SFAC268		SFA268HH	MD923D		VR923			
50				SFA268	SFAC268		SFA268HH	MD923D		VR923			
51				Y503									
52				Y527									
53				Y527									
54				Y527									
55				Y533									
56				Y533									
57				SFA275	SFAC275		SFA275HH	MD9104D		VR9104			
58				Y503									
59				Y503									
60				Y530									

REAR / ARRIÈRE / HINTEN / POSTERIOR / POSTERIORE

R Suffix = High Durability Sintered Pad. **HH** Suffix = High Performance Sintered Pad. **TT** Suffix = Hard Wearing Off Road Pad. **V** Suffix = Semi Sintered Pad. **G** Suffix = Grooved Shoe.
D Suffix = Drilled Disc. **X** Suffix = Universal Left or Right Disc. **XC** Suffix = Contoured Disc. **LS** Suffix = Left/Steel Disc. **RS** = Right/Steel Disc.

BRAKE APPLICATIONS

*-2 Sets Required. † For Vee disc colours add RED, BLU, GRN, GLD, ORG suffix to part number.

⊙ - Also available as a Vintage Motorcycle Disc. ★ - EPFA available. ⚙ - Disc made of Billet steel. ♦ - CE solid discs for Enduro use.

Part numbers, prefixes, suffixes, photos and illustrations shown in this catalogue are trademarks and/or copyrights of EBC Brakes or the trademark owner A C Freeman Investments Ltd and use without express written permission of the owners is punishable by law.

Non-JAPANESE Built Motorcycles



MBK Contd.

		DISC PAD CHOICES - FRONT			BRAKE DISC CHOICES - FRONT					Line #
		FA, SFA, TT Pad or Brake Shoe	SFAC Carbon Scooter Pads	Speciality Pads - SXR / Vee / MXS	Sintered/HH Pads/ Grooved Shoes	Standard Replacement Discs	Contour Disc Universal Left and Right	Vee-Discs Black † See note below	CX Extreme Disc / UTVX Disc	
YP 125 D Skyliner	1998-2000	SFA181	SFAC181		SFA181HH	MD907D		VR907		1
YP 125 D Skyliner	2001-2010	SFA181	SFAC181		SFA181HH	MD907D		VR907		2
YP 125 Skycruiser	2006-2010	SFA430	SFAC430		SFA430HH	MD9102D				3
YW 125 Z X-Over	2010	SFA492	SFAC492			MD986D		VR986		4
XC 150 Vertex	1997	SFA181	SFAC181		SFA181HH					5
XN 125/150 Doodo	2000-2005	SFA193	SFAC193		SFA193HH	MD907D		VR907		6
XQ 125/150 Thunder	2001-2003	SFA181	SFAC181		SFA181HH	MD957D		VR957		7
YP 250 Skyliner	1996-1998	SFA199	SFAC199		SFA199HH	MD903D		VR903		8
YP 250 Skyliner	1998-1999	SFA199	SFAC199		SFA199HH	MD903D		VR903		9
YP 250 Skyliner	2000-2002	SFA199	SFAC199		SFA199HH	MD903D		VR903		10
VP 300 R Kilibre	2003-2004	SFA181	SFAC181		SFA181HH	MD995D		VR995		11
YP 400 Skyliner	2004	SFA199	SFAC199		SFA199HH	MD9102D		VR9102		12

MEGELLI

125 M Supermoto	2008-2010	FA086			FA086HH					13
125 R Sportbike	2008-2010	FA086			FA086HH					14
125 S Naked Sport Bike	2008-2010	FA086			FA086HH					15

METRAKIT

XL 80 Mini GP	2009						MD6427C			16
Pre GP 125	2009	FA399								17

MH/MOTORHISPANIA

Furia Max Enduro 50	2006-2010	FA115			FA115HH					18
Furia Max Supermoto	2007-2010	FA115			FA115HH					19
RX 50 R R	2008-2014	FA399								20
RX 50 Super Racing R	2006-2007	FA167			FA167HH	MD6318D				21
RYZ 50 Enduro	2006-2010	FA115			FA115HH					22
RYZ 50 Enduro	2013-2014	FA416TT								23
RYZ 50 Pro Racing Enduro	2006-2010	FA167			FA167HH					24
RYZ 50 Pro Racing Enduro	2014	FA194			FA194HH					25
RYZ 50 Pro Racing Supermotard	2006-2014	FA194			FA194HH					26
RYZ 50 Pro Racing Urban Bike	2006-2010	FA194			FA194HH					27
RYZ 50 Pro SM 50	2006-2010	FA416TT								28
RYZ 50 SM	2006-2010	FA416TT								29
RYZ 50 Supermotard	2006-2010	FA194			FA194HH					30
RYZ 50 Urban Bike	2006-2010	FA167			FA167HH	MD6318D				31
Custom 125 R	2012	FA093								32
Duna 125 Dual Plus Trail	2008-2014	FA194			FA194HH					33
Duna 125 Hard Road Enduro	2008-2014	FA093								34
Duna 125 Plus	2014	FA194			FA194HH					35
Duna 125 Pro	2013-2014	FA416TT								36
Duna 125 R	2013-2014	FA416TT								37
Duna 125 Sports City Supermotard	2008-2014	FA194			FA194HH					38
Duna 125 Supermotard	2014	FA465TT			FA465R					39
Hard Road SM 125 LC	2012	FA399								40
MH 10 125 Pro Enduro	2013-2014	FA416TT								41
MH 10 125 SM	2013	FA416TT								42
MH7 125	2008-2014	FA399								43
MH7 125	2008-2014	FA399								44
Ranger 125 Enduro	2013-2014	FA465TT		MXS465	FA465R					45
RX 125 R	2008-2014	FA399								46
Kn 250 50cc	2012-2013	FA399								47
MH 10 50 Eco Urban 50	2014	SFA416	SFAC416							48
MH 10 50 Enduro	2013-2014	FA416TT								49
MH 10 50 Pro Enduro	2013-2014	FA416TT								50
MH 10 50 Pro SM	2013	FA416TT								51
MH 10 50 Pro Urban 50	2014	SFA416	SFAC416							52
MH 10 50 SM	2013	FA416TT								53
Kn1 125	2009-2014	FA399								54

FRONT / AVANT / VORN / FRENTE / ANTERIORE

R Suffix = High Durability Sintered Pad. HH Suffix = High Performance Sintered Pad. TT Suffix = Hard Wearing Off Road Pad. V Suffix = Semi Sintered Pad. G Suffix = Grooved Shoe.
D Suffix = Drilled Disc. X Suffix = Universal Left or Right Disc. XC Suffix = Contoured Disc. LS Suffix = Left/Steel Disc. RS = Right/Steel Disc.

*-2 Sets Required. † For Vee disc colours add RED, BLU, GRN, GLD, ORG suffix to part number.

⊗ - Also available as a Vintage Motorcycle Disc. ★ - EPFA available. ⚙ Disc made of Billet steel. ♦ CE solid discs for Enduro use.

Non-JAPANESE Built Motorcycles

**BRAKE
APPLICATIONS**

Line #	BRAKE DISC CHOICES - FRONT			DISC PAD CHOICES - REAR				BRAKE DISC CHOICES - REAR					
	SMX Oversize 320mm Disc Kit Front Left	Front disc bolt kit	Front Brake Line	FA, SFA, TT Pad or Brake Shoe	SFAC Carbon Scooter Pads	Speciality Pads - SXR / Vee / MXS	Sintered HH/R Pads/ Grooved Shoes	Standard Replacement Disc	Contour Disc Rear Fitment	Vee Discs CONTOUR	CX Extreme MX Race Disc / UTVX Disc	Rear disc bolt kit	Rear Brake Line
1				Y527									
2				SFA266	SFAC266		SFA266HH	MD962D		VR962			
3				SFA266	SFAC266		SFA266HH	MD9104D		VR9104			
4				Y533									
5				Y527									
6				Y527									
7				SFA266	SFAC266		SFA266HH	MD958D		VR958			
8				Y516									
9				SFA275	SFAC275		SFA275HH	MD927D		VR927			
10				SFA275	SFAC275		SFA275HH	MD953D		VR953			
11				SFA181	SFAC181		SFA181HH	MD9104D		VR9104			
12				SFA408	SFAC408		SFA408HH	MD9103D		VR9103			
13													
14													
15				FA346TT			FA346R						
16				FA346TT			FA346R						
17				FA346TT			FA346R						
18													
19													
20				FA351TT					MD6428C				
21				FA351TT									
22													
23													
24				FA115			FA115HH						
25				FA115			FA115HH						
26				FA093									
27				FA115			FA115HH						
28				FA115			FA115HH						
29				FA083TT									
30				FA115			FA115HH						
31				FA115			FA115HH						
32				FA115			FA115HH						
33				FA115			FA115HH						
34				FA083TT									
35				FA083TT									
36				FA115			FA115HH						
37				FA115			FA115HH						
38													
39				FA115			FA115HH						
40				FA115			FA115HH						
41													
42				FA083TT									
43				FA083TT									
44				FA093									
45				FA093									
46				FA416TT									
47				FA083TT									
48				FA083TT									
49				FA093									
50				FA093									
51													
52				FA093									
53				FA416TT									
54				FA083TT									
55				FA083TT									
56				FA083TT									
57				FA083TT									
58				FA083TT									
59				FA083TT									
60				FA093									

REAR / ARRIÈRE / HINTEN / POSTERIOR / POSTERIORE

R Suffix = High Durability Sintered Pad. **HH** Suffix = High Performance Sintered Pad. **TT** Suffix = Hard Wearing Off Road Pad. **V** Suffix = Semi Sintered Pad. **G** Suffix = Grooved Shoe.
D Suffix = Drilled Disc. **X** Suffix = Universal Left or Right Disc. **XC** Suffix = Contoured Disc. **LS** Suffix = Left/Steel Disc. **RS** = Right/Steel Disc.

*-2 Sets Required. † For Vee disc colours add RED, BLU, GRN, GLD, ORG suffix to part number.

⊙ - Also available as a Vintage Motorcycle Disc. ★ - EPFA available. ⚙ Disc made of Billet steel. ♦ CE solid discs for Enduro use.

Part numbers, prefixes, suffixes, photos and illustrations shown in this catalogue are trademarks and/or copyrights of EBC Brakes or the trademark owner A C Freeman Investments Ltd and use without express written permission of the owners is punishable by law.

Non-JAPANESE Built Motorcycles



MH/MOTORHISPANIA



Contd.

Kn1 125 2012-2014

MODENAS

Kriss 110 2000-2002

MONDIAL

Evo Evo 2004

Piega 1000 Piega 1000 2002

Piega 1000 Piega 1000 2003-2004

MONTESA/HONDA

Cota 123/200/242/349 1984

Old Models 1968-1976

4RT 250 Cota 2005-2010

4 Ride 260 Enduro 2016-2023

4RT 260 Cota 2014-2023

4RT 260 Cota Repsol Edition 2E/4E 2014-2023

Honda 311 260cc 1992-1993

Cota 123/290/349 1983

4RT 300 RR Cota 2016-2023

Cota Cota 1988

Honda 314 R 1994-1996

Honda 315 R 1997-2000

Honda 315 R 2001-2004

348 Trial 1976-1980

MOTO GUZZI

Nevada 350 1992-1997

Nevada 350 Club 1998-1999

NTX 350 1987-1990

V 35II 350 1980-1985

V 35III 350 1985-1987

V 35 350 1977-1979

V 35 350 Florida 1986-1990

V 35 350C Custom 1982-1986

V 50 500 KE 1977-1979

V 50 500C Custom 1982-1986

V 50III 500 1985-1987

650 65 GT GT 1988-1989

NTX 650 1987-1990

V 65 650 Florida 1985-1992

V 65 650C Custom 1983-1986

750 SP SP KE 1990-1992

Left
Right

750 Strada/T Roadster Roadster 1993-1995

Breva 750 ie EE 2003-2011

Nevada 750 1991-2001

Nevada 750 2002-2011

Nevada 750 Classic ie 2004-2011

Nevada 750 Classic ie 2012-2015

Nevada 750 Club 1998-2001

Nevada 750 Club 1998-2001

Targa 750 1990-1993

V 75 KE 1992-1996

V 75 KE 1996-2001

V7 750 Cafe Classic 2009-2012

V7 750 Classic 2008-2012

V7 750 II Stornello 2016-2017

V7 II Special 2015

V7 III Special 2017-2020

		DISC PAD CHOICES - FRONT				BRAKE DISC CHOICES - FRONT					
		FA, SFA, TT Pad or Brake Shoe	SFAC Carbon Scooter Pads	Speciality Pads - SXR / Vee / MXS	Sintered/HH Pads/ Grooved Shoes	Standard Replacement Discs	Contour Disc Universal Left and Right	Vee-Discs Black † See note below	CX Extreme Disc / UTVX Disc	OSX Oversize 250mm or 280mm	Line #
		FA399									1
											2
											3
		S603									4
											5
											6
					FA322/4HH★	MD621X*	MD621XC*	VR621BLK†			7
		FA424*			FA424HH*						8
					FA322/4HH★	MD621X*	MD621XC*	VR621BLK†			9
											10
					937G						11
											12
		FA303TT									13
		FA644TT									14
		FA303TT									15
		FA644TT									16
		FA115TT			FA115R						17
					933G						18
		FA644TT									19
		FA115TT			FA115R						20
		FA115TT			FA115R						21
		FA115TT			FA115R						22
		FA115TT			FA115R						23
		FA303TT									24
					933G						25
											26
											27
		FA047*			FA047HH*						28
		FA047*			FA047HH*						29
		FA047*			FA047HH*						30
		FA047*			FA047HH*						31
		FA047*			FA047HH*						32
		FA047*			FA047HH*						33
		FA047*			FA047HH*						34
		FA047*			FA047HH*						35
		FA047*		FA047V*	FA047HH*						36
		FA047*		FA047V*	FA047HH*						37
		FA047*		FA047V*	FA047HH*						38
		FA047*		FA047V*	FA047HH*						39
		FA047*		FA047V*	FA047HH*						40
		FA047*		FA047V*	FA047HH*						41
		FA047*		FA047V*	FA047HH*						42
		FA047*		FA047V*	FA047HH*	MD693LS					43
						MD693RS					44
		FA047*		FA047V*	FA047HH*						45
		FA244		FA244V	FA244HH★	MD614X	MD614XC	VR614BLK†			46
		FA047		FA047V	FA047HH	MD693LS					47
		FA047		FA047V	FA047HH	MD693LS					48
		FA244		FA244V	FA244HH★	MD614X	MD614XC	VR614BLK†			49
		FA244		FA244V	FA244HH★	MD614X	MD614XC	VR614BLK†			50
		FA047*		FA047V*	FA047HH*						51
		FA047*		FA047V*	FA047HH*						52
		FA047*		FA047V*	FA047HH*						53
		FA047*		FA047V*	FA047HH*						54
		FA047*		FA047V*	FA047HH*						55
		FA244		FA244V	FA244HH★	MD614X	MD614XC	VR614BLK†			56
		FA244		FA244V	FA244HH★	MD614X	MD614XC	VR614BLK†			57
		FA244		FA244V	FA244HH★	MD614X	TBC	TBC			58
		FA244		FA244V	FA244HH★	MD614X					59
		FA244		FA244V	FA244HH★	MD614X					60

FRONT / AVANT / VORN / FRENTE / ANTERIORE

R Suffix = High Durability Sintered Pad. HH Suffix = High Performance Sintered Pad. TT Suffix = Hard Wearing Off Road Pad. V Suffix = Semi Sintered Pad. G Suffix = Grooved Shoe.
D Suffix = Drilled Disc. X Suffix = Universal Left or Right Disc. XC Suffix = Contoured Disc. LS Suffix = Left/Steel Disc. RS = Right/Steel Disc.

*-2 Sets Required. † For Vee disc colours add RED, BLU, GRN, GLD, ORG suffix to part number.

⊗ - Also available as a Vintage Motorcycle Disc. ★ - EPFA available. ⚙ Disc made of Billet steel. ♦ CE solid discs for Enduro use.

300 Part numbers, prefixes, suffixes, photos and illustrations shown in this catalogue are trademarks and/or copyrights of EBC Brakes or the trademark owner A C Freeman Investments Ltd and use without express written permission of the owners is punishable by law.

Non-JAPANESE Built Motorcycles

Line #	BRAKE DISC CHOICES - FRONT			DISC PAD CHOICES - REAR				BRAKE DISC CHOICES - REAR					
	SMX Oversize 320mm Disc Kit Front Left	Front disc bolt kit	Front Brake Line	FA, SFA, TT Pad or Brake Shoe	SFAC Carbon Scooter Pads	Speciality Pads - SXR / Vee / MXS	Sintered HH/R Pads/ Grooved Shoes	Standard Replacement Disc	Contour Disc Rear Fitment	Vee Discs CONTOUR	CX Extreme MX Race Disc / UTVX Disc	Rear disc bolt kit	Rear Brake Line
1				FA416TT									
2													
3													
4				S603									
5													
6													
7				FA266			FA266HH★						
8				FA095			FA095HH★						
9				FA266			FA266HH★						
10													
11													
12							933G						
13				889									
14				FA351TT									
15				FA351TT									
16				FA351TT									
17				FA351TT									
18				FA047TT									
19							933G						
20				FA351TT									
21				FA115TT			FA115R						
22				FA047TT									
23				FA047TT									
24				FA351TT									
25							933G						
26													
27													
28				FA047			FA047HH						
29				FA047			FA047HH						
30				FA047			FA047HH						
31				FA047			FA047HH						
32				FA047			FA047HH						
33				FA047			FA047HH						
34				FA047			FA047HH						
35				FA047			FA047HH						
36				FA047		FA047V	FA047HH						
37				FA047		FA047V	FA047HH						
38				FA047		FA047V	FA047HH						
39				FA047		FA047V	FA047HH						
40				FA047		FA047V	FA047HH						
41				FA047		FA047V	FA047HH						
42				FA047		FA047V	FA047HH						
43				FA047		FA047V	FA047HH						
44													
45				FA047		FA047V	FA047HH						
46		DB604/6		FA266			FA266HH★	MD871					
47				FA047		FA047V	FA047HH						
48		DB604/6		FA266			FA266HH★	MD871					
49		DB604/6		FA266			FA266HH★	MD871					
50		DB604/6		FA266			FA266HH★						
51				FA047		FA047V	FA047HH						
52				FA266			FA266HH★	MD871					
53				FA047		FA047V	FA047HH						
54				FA047		FA047V	FA047HH						
55				FA047		FA047V	FA047HH						
56		DB604/6		FA266			FA266HH★	MD871					
57		DB604/6		FA266			FA266HH★	MD871					
58		DB604/6		FA778			FA778HH						
59		DB604/6		FA778			FA778HH						
60		DB604/6		FA778			FA778HH	TBC					

REAR / ARRIÈRE / HINTEN / POSTERIOR / POSTERIORE

R Suffix = High Durability Sintered Pad. **HH** Suffix = High Performance Sintered Pad. **TT** Suffix = Hard Wearing Off Road Pad. **V** Suffix = Semi Sintered Pad. **G** Suffix = Grooved Shoe.
D Suffix = Drilled Disc. **X** Suffix = Universal Left or Right Disc. **XC** Suffix = Contoured Disc. **LS** Suffix = Left/Steel Disc. **RS** = Right/Steel Disc.

BRAKE APPLICATIONS

*-2 Sets Required. † For Vee disc colours add RED, BLU, GRN, GLD, ORG suffix to part number.

⊙ - Also available as a Vintage Motorcycle Disc. ★ - EPFA available. ⚙ - Disc made of Billet steel. ♦ - CE solid discs for Enduro use.

Part numbers, prefixes, suffixes, photos and illustrations shown in this catalogue are trademarks and/or copyrights of EBC Brakes or the trademark owner A C Freeman Investments Ltd and use without express written permission of the owners is punishable by law.

Non-JAPANESE Built Motorcycles



MOTO GUZZI Contd.



		DISC PAD CHOICES - FRONT			BRAKE DISC CHOICES - FRONT					Line #	
		FA, SFA, TT Pad or Brake Shoe	SFAC Carbon Scooter Pads	Speciality Pads - SXR / Vee / MXS	Sintered/HH Pads/ Grooved Shoes	Standard Replacement Discs	Contour Disc Universal Left and Right	Vee-Discs Black † See note below	CX Extreme Disc / UTVX Disc		OSX Oversize 250mm or 280mm
V7 Racer	2010-2011	FA244		FA244V	FA244HH★	MD614X	MD614XC	VR614BLK†			1
V7 Racer	2012-2014	FA244		FA244V	FA244HH★	MD614X	MD614XC	VR614BLK†			2
V7 Racer II	2015-2017	FA244		FA244V	FA244HH★	MD614X					3
V7 Special	2012-2014	FA244		FA244V	FA244HH★	MD614X	MD614XC	VR614BLK†			4
V7 Stone	2012-2014	FA244		FA244V	FA244HH★	MD614X	MD614XC	VR614BLK†			5
V7 Stone II	2015-2017	FA244		FA244V	FA244HH★	MD614X					6
V7 Stone III	2017-2020	FA244		FA244V	FA244HH★	MD614X					7
V7 V7 III Carbon	2017-2021	FA244		FA244V	FA244HH★	MD614X					8
V7 V7 III Limited	2017-2021	FA244		FA244V	FA244HH★	MD614X					9
V7 V7 III Racer	2017-2021	FA244		FA244V	FA244HH★	MD614X					10
V7 V7 III Rough	2017-2021	FA244		FA244V	FA244HH★	MD614X					11
850 Le Mans I	1976-1977	FA018*		FA018V*	FA018HH*						12
850 Le Mans II	1978-1980	FA018*		FA018V*	FA018HH*						13
850 Le Mans III	1981-1984	FA018*		FA018V*	FA018HH*						14
850 T	1974	FA018		FA018V	FA018HH						15
850 T3	1975-1979	FA018*		FA018V*	FA018HH*						16
850 T4 T4	1980-1982	FA018*		FA018V*	FA018HH*						17
850 T5 T5	1983-1985	FA018*		FA018V*	FA018HH*						18
Breva 850 ie	2006-2007	FA244*		FA244V*	FA244HH*★	MD859*					19
California 850	1975-1979	FA018*		FA018V*	FA018HH*						20
California 850 T5	1983-1985	FA018*		FA018V*	FA018HH*						21
Griso 850	2006-2007	FA244*		FA244V*	FA244HH*★	MD621X*	MD621XC*	VR621BLK*†			22
Norge 850	2007	FA244*		FA244V*	FA244HH*★	MD859*					23
V7 850 III Special	2021-2024	FA244		FA244V	FA244HH★	MD614X					24
V7 850 III Special Edition	2023	FA244		FA244V	FA244HH★	MD614X					25
V7 Stone Corsa III	2024	FA244		FA244V	FA244HH★	MD614X					26
V7 Stone III	2021-2024	FA244		FA244V	FA244HH★	MD614X					27
V7 Stone III Centenario	2023	FA244		FA244V	FA244HH★	MD614X					28
V85 TT	2018-2023				FA244HH*★	MD614X*	MD614XC*				29
V85 TT Adventure	2023				FA244HH*★	MD614X*	MD614XC*				30
V85 TT Centenario	2023				FA244HH*★	MD614X*	MD614XC*				31
V85 TT Evocative Graphics	2024				FA244HH*★	MD614X*	MD614XC*				32
V85 TT Guardi d'Onore	2023-2024				FA244HH*★	MD614X*	MD614XC*				33
V85 TT Travel	2019-2024				FA244HH*★	MD614X*	MD614XC*				34
V9 Bobber	2016-2024	FA244		FA244V	FA244HH★	MD614X					35
V9 Bobber Centenario	2023	FA244		FA244V	FA244HH★	MD614X					36
V9 Bobber Special Edition	2023-2024	FA244		FA244V	FA244HH★	MD614X					37
V9 Bobber Sport	2019-2021	FA244		FA244V	FA244HH★	MD614X					38
V9 Roamer	2016-2021	FA244		FA244V	FA244HH★	MD614X					39
940 Bellagio	2007-2013	FA209/2*		FA209/2V*	FA209/2HH*★	MD614X*	MD614XC*	VR614BLK*†			40
1000 Daytona	1992-1995	FA095*		FA095V*	FA095HH*★	MD667*					41
1000 Daytona RS	1997-1998	FA095*		FA095V*	FA095HH*★						42
1000 GT RE	1987-1991	FA018*		FA018V*	FA018HH*						43
1000 GT RE	1987-1991	FA018*		FA018V*	FA018HH*						44
1000 II	1983-1994	FA018*		FA018V*	FA018HH*						45
1000 III	1984-1988	FA018*		FA018V*	FA018HH*						46
1000 Le-Mans IV/V DE	1984-1993	FA018*		FA018V*	FA018HH*	MD876*					47
1000 Le-Mans IV/V KE	Left 1984-1993	FA018*		FA018V*	FA018HH*	MD693LS					48
	Right					MD693RS					49
1000 MGS-01 Corsa	2003-2011				FA322/4HH*★	MD621X*	MD621XC*	VR621BLK*†			50
1000 S E	Left 1984-1993	FA018*		FA018V*	FA018HH*	MD693LS					51
	Right					MD693RS					52
1000 SP KE	1983-1994	FA018*		FA018V*	FA018HH*						53
California 1000 II	1981-1987	FA018*		FA018V*	FA018HH*						54
California 1000 III	1987-1993	FA018*		FA018V*	FA018HH*	MD835*					55
California 1000 III	1988-1990	FA018*		FA018V*	FA018HH*	MD835*					56
California 1000 III - EFI	1990-1993	FA018*		FA018V*	FA018HH*	MD835*					57
Centaur V10 GT	1997-1999	FA095*			FA095HH*★	MD614X*	MD614XC*	VR614BLK*†			58
Centaur V10 Sport	1997-1999	FA095*			FA095HH*★	MD614X*	MD614XC*	VR614BLK*†			59
G5 V1000	1978-1983	FA018*		FA018V*	FA018HH*	MD891*					60

FRONT / AVANT / VORN / FRENTE / ANTERIORE

R Suffix = High Durability Sintered Pad. HH Suffix = High Performance Sintered Pad. TT Suffix = Hard Wearing Off Road Pad. V Suffix = Semi Sintered Pad. G Suffix = Grooved Shoe.
D Suffix = Drilled Disc. X Suffix = Universal Left or Right Disc. XC Suffix = Contoured Disc. LS Suffix = Left/Steel Disc. RS = Right/Steel Disc.

*-2 Sets Required. † For Vee disc colours add RED, BLU, GRN, GLD, ORG suffix to part number.

⊗ - Also available as a Vintage Motorcycle Disc. ★ - EPFA available. ⚙ Disc made of Billet steel. ♦ CE solid discs for Enduro use.

Non-JAPANESE Built Motorcycles

Line #	BRAKE DISC CHOICES - FRONT			DISC PAD CHOICES - REAR				BRAKE DISC CHOICES - REAR					
	SMX Oversize 320mm Disc Kit Front Left	Front disc bolt kit	Front Brake Line	FA, SFA, TT Pad or Brake Shoe	SFAC Carbon Scooter Pads	Speciality Pads - SXR / Vee / MXS	Sintered HH/R Pads/ Grooved Shoes	Standard Replacement Disc	Contour Disc Rear Fitment	Vee Discs CONTOUR	CX Extreme MX Race Disc / UTVX Disc	Rear disc bolt kit	Rear Brake Line
1		DB604/6		FA266			FA266HH★	MD871					
2		DB604/6		FA778			FA778HH						
3		DB604/6		FA778			FA778HH						
4		DB604/6		FA778			FA778HH						
5		DB604/6		FA778			FA778HH						
6		DB604/6		FA778			FA778HH						
7		DB604/6		FA778			FA778HH	TBC					
8		DB604/6		FA778			FA778HH	TBC					
9		DB604/6		FA778			FA778HH	TBC					
10		DB604/6		FA778			FA778HH	TBC					
11		DB604/6		FA778			FA778HH	TBC					
12				FA018		FA018V	FA018HH						
13				FA018		FA018V	FA018HH						
14				FA077									
15													
16				FA018		FA018V	FA018HH						
17				FA018		FA018V	FA018HH						
18				FA018		FA018V	FA018HH						
19		DB604/6		FA181TT			FA181HH	MD840					
20				FA018		FA018V	FA018HH						
21				FA018		FA018V	FA018HH						
22		DB604/6		FA181TT			FA181HH	MD840	MD840C				
23		DB604/6		FA181TT			FA181HH	MD840					
24		DB604/6		FA778			FA778HH						
25		DB604/6		FA778			FA778HH						
26		DB604/6		FA778			FA778HH						
27		DB604/6		FA778			FA778HH						
28		DB604/6		FA778			FA778HH						
29		DB604/6		FA778			FA778HH	TBC					
30		DB604/6		FA778			FA778HH						
31		DB604/6		FA778			FA778HH						
32		DB604/6		FA778			FA778HH						
33		DB604/6		FA778			FA778HH						
34		DB604/6		FA778			FA778HH						
35		DB604/6		FA778			FA778HH	MD871					
36		DB604/6		FA778			FA778HH	MD871					
37		DB604/6		FA778			FA778HH	MD871					
38		DB604/6		FA778			FA778HH	MD871					
39		DB604/6		FA778			FA778HH	MD871					
40		DB604/6		FA181TT			FA181HH	MD840	MD840C				
41				FA047		FA047V	FA047HH						
42				FA047		FA047V	FA047HH	MD692					
43				FA018		FA018V	FA018HH						
44				FA018		FA018V	FA018HH						
45				FA077		FA077V							
46				FA077		FA077V		MD693LS					
47				FA018		FA018V	FA018HH	MD693LS					
48				FA018		FA018V	FA018HH	MD693LS					
49													
50				FA266			FA266HH★						
51				FA018		FA018V	FA018HH	MD693LS					
52													
53				FA077		FA077V							
54				FA018		FA018V	FA018HH						
55				FA018		FA018V	FA018HH	MD693LS					
56				FA018		FA018V	FA018HH	MD693LS					
57				FA018		FA018V	FA018HH	MD693LS					
58		DB604/6		FA047		FA047V	FA047HH	MD692	MD692C				
59		DB604/6		FA047		FA047V	FA047HH	MD692	MD692C				
60				FA018		FA018V	FA018HH						

REAR / ARRIÈRE / HINTEN / POSTERIOR / POSTERIORE

R Suffix = High Durability Sintered Pad. HH Suffix = High Performance Sintered Pad. TT Suffix = Hard Wearing Off Road Pad. V Suffix = Semi Sintered Pad. G Suffix = Grooved Shoe.
D Suffix = Drilled Disc. X Suffix = Universal Left or Right Disc. XC Suffix = Contoured Disc. LS Suffix = Left/Steel Disc. RS = Right/Steel Disc.

*-2 Sets Required. † For Vee disc colours add RED, BLU, GRN, GLD, ORG suffix to part number.

⊙ - Also available as a Vintage Motorcycle Disc. ★ - EPFA available. ⚙ Disc made of Billet steel. ♦ CE solid discs for Enduro use.

Part numbers, prefixes, suffixes, photos and illustrations shown in this catalogue are trademarks and/or copyrights of EBC Brakes or the trademark owner A C Freeman Investments Ltd and use without express written permission of the owners is punishable by law.

Non-JAPANESE Built Motorcycles



MOTO GUZZI Contd.



DISC PAD CHOICES - FRONT

BRAKE DISC CHOICES - FRONT

R Suffix = High Durability Sintered Pad. **HH** Suffix = High Performance Sintered Pad. **TT** Suffix = Hard Wearing Off Road Pad. **V** Suffix = Semi Sintered Pad. **G** Suffix = Grooved Shoe.
D Suffix = Drilled Disc. **X** Suffix = Universal Left or Right Disc. **XS** Suffix = Contoured Disc. **LS** Suffix = Left/Steel Disc. **RS** = Right/Steel Disc.

FRONT / AVANT / VORN / FRENTE / ANTERIORE

		FA, SFA, TT Pad or Brake Shoe	SFAC Carbon Scooter Pads	Speciality Pads - SXR / Vee / MXS	Sintered/HH Pads/ Grooved Shoes	Standard Replacement Discs	Contour Disc Universal Left and Right	Vee-Discs Black † See note below	CX Extreme Disc / UTVX Disc	OSX Oversize 250mm or 280mm	Line #	
Quota EFI 1000	1992-1997	FA126*			FA126HH*	MD846X*					1	
Strada 1000	1993-1994	FA018*		FA018V*	FA018HH*						2	
V100 Mandello	2021-2024				FA630HH*★	TBC*					3	
V100 Mandello Aviazione Navale	2024				FA630HH*★	TBC*					4	
V100 Mandello S	2022-2024				FA630HH*★	TBC*					5	
Breva 1100	2005-2007	FA244*			FA244HH*★	MD859*					6	
Breva 1100	2005-2007	FA244*			FA244HH*★	MD624*		VR624BLK*†			7	
California 1100 Aluminium	2002-2005	FA244*		FA244V*	FA244HH*★	MD614X*	MD614XC*	VR614BLK*†			8	
California 1100 Aquila Nera	2009-2011	FA244*		FA244V*	FA244HH*★	MD614X*	MD614XC*	VR614BLK*†			9	
California 1100 Carb	1994-1997	FA018*		FA018V*	FA018HH*	MD835*					10	
California 1100 Classic Touring	2006-2008	FA244*		FA244V*	FA244HH*★	MD614X*	MD614XC*	VR614BLK*†			11	
California 1100 EV	1997-2000	FA095*		FA095V*	FA095HH*★	MD614X*	MD614XC*	VR614BLK*†			12	
California 1100 EV	1997-2002	FA244*		FA244V*	FA244HH*★	MD614X*	MD614XC*	VR614BLK*†			13	
California 1100 EV Touring	2003-2005	FA244*		FA244V*	FA244HH*★	MD614X*	MD614XC*	VR614BLK*†			14	
California 1100 Jackal	1994-2001	FA095*		FA095V*	FA095HH*★	MD614X*	MD614XC*	VR614BLK*†			15	
California 1100 Jackal	1994-2001	FA244*		FA244V*	FA244HH*★	MD614X*	MD614XC*	VR614BLK*†			16	
California 1100 Special	1999-2000	FA095*		FA095V*	FA095HH*★	MD614X*	MD614XC*	VR614BLK*†			17	
California 1100 Special	1999-2000	FA244*		FA244V*	FA244HH*★	MD614X*	MD614XC*	VR614BLK*†			18	
California 1100 Sport	2001-2002	FA244*		FA244V*	FA244HH*★	MD614X*	MD614XC*	VR614BLK*†			19	
California 1100 Stone	2001-2005	FA244		FA244V	FA244HH*	MD614X	MD614XC	VR614BLK†			20	
California 1100 Stone Metal	2002-2003	FA244		FA244V	FA244HH*	MD614X	MD614XC	VR614BLK†			21	
California 1100 Titanium	2004-2005	FA244*		FA244V*	FA244HH*★	MD614X*	MD614XC*	VR614BLK*†			22	
California 1100 Vintage	2006-2012	FA244*		FA244V*	FA244HH*★	MD614X*	MD614XC*	VR614BLK*†			23	
California 1100 Vintage	2012	FA244*		FA244V*	FA244HH*★	MD621X*	MD621XC*	VR621BLK*†			24	
Griso 1100	2005-2008	FA244*			FA244HH*★	MD621X*	MD621XC*	VR621BLK*†			25	
Quota 1100 ES	1999-2001	FA209/2*		FA209/2V*	FA209/2HH*★						26	
Sport 1100 Carbs	1994-1996	FA095*			FA095HH*★	MD614X*	MD614XC*	VR614BLK*†			27	
Sport 1100 Corsa	1998-1999	FA095*			FA095HH*★						28	
Sport 1100 EFI	1996-1999	FA095*			FA095HH*★	MD614X*	MD614XC*	VR614BLK*†			29	
V11 1100	2002-2003	FA244*			FA244HH*★	MD614X*	MD614XC*	VR614BLK*†			30	
V11 1100 Ballabio	2003-2005	FA244*			FA244HH*★	MD614X*	MD614XC*	VR614BLK*†			31	
V11 1100 Le Mans	2001-2005	FA244*			FA244HH*★	MD614X*	MD614XC*	VR614BLK*†			32	
V11 1100 Scura	2001-2003	FA244*			FA244HH*★	MD614X*	MD614XC*	VR614BLK*†			33	
V11 1100 Sport	1999-2001	FA244*			FA244HH*★	MD614X*	MD614XC*	VR614BLK*†			34	
Breva 1200	2008-2009	FA244*			FA244HH*★	MD624*		VR624BLK*†			35	
Griso 1200 8V	2007-2012	FA244*			FA244HH*★	MD2003X*		VR614BLK*†			36	
Griso 1200 8V	2007-2015	FA244*			FA244HH*★	MD614X*		VR614BLK*†			37	
Norge 1200	2006-2007	FA244*			FA244HH*★	MD624*		VR624BLK*†			38	
Norge 1200 GT	2008-2017	FA244*			FA244HH*★	MD2003X*		VR624BLK*†			39	
Sport 1200	2006-2007	FA244*			FA244HH*★	MD624*		VR624BLK*†			40	
Sport 1200	2008-2013	FA244*			FA244HH*★	MD2003X*		VR624BLK*†			41	
Stelvio 1200	2011-2015	FA244*			FA244HH*★	MD2003X*					42	
Stelvio 1200 NTX	2011-2015	FA244*			FA244HH*★	MD2003X*		VR624BLK*†			43	
Stevio 1200	2008-2011	FA244*			FA244HH*★	MD624*		VR624BLK*†			44	
Stevio 1200 NTX	2009-2010	FA244*			FA244HH*★	MD624*		VR624BLK*†			45	
Audace 1400	2015-2016	FA244*			FA244HH*★	MD862X*					46	
Audace 1400 Carbon	2016-2017	FA244*			FA244HH*★	MD862X*					47	
California 1400 Custom	2013-2015	FA244*			FA244HH*★	MD2003X*					48	
California 1400 Touring	2013-2021	FA244*			FA244HH*★	MD862X*					49	
California 1400 Touring SE	2015-2017	FA244*			FA244HH*★	MD2003X*					50	
Eldorado 1400	2015-2017	FA244*			FA244HH*★	MD862X*					51	
MGX 21 1400	2016-2021	FA244*			FA244HH*★	MD862X*					52	
											53	
											54	
MOTO MORINI												
KJ/T/KT/Kanguro 125	1984										55	
Monocilindro 125	1979	FA076			FA076HH						56	
All models 250	1971	FA076			FA076HH						57	
Dart 350	1987	FA134									58	
Excalbur RLX 350	1993	FA134									59	
FT Turismo 350	1980	FA076			FA076HH						60	

*-2 Sets Required. † For Vee disc colours add RED, BLU, GRN, GLD, ORG suffix to part number.

⊗ - Also available as a Vintage Motorcycle Disc. ★ - EPFA available. ⚙ Disc made of Billet steel. ♦ CE solid discs for Enduro use.

Non-JAPANESE Built Motorcycles

Line #	BRAKE DISC CHOICES - FRONT			DISC PAD CHOICES - REAR				BRAKE DISC CHOICES - REAR					
	SMX Oversize 320mm Disc Kit Front Left	Front disc bolt kit	Front Brake Line	FA, SFA, TT Pad or Brake Shoe	SFAC Carbon Scooter Pads	Speciality Pads - SXR / Vee / MXS	Sintered HH/R Pads/ Grooved Shoes	Standard Replacement Disc	Contour Disc Rear Fitment	Vee Discs CONTOUR	CX Extreme MX Race Disc / UTVX Disc	Rear disc bolt kit	Rear Brake Line
1				FA163									
2				FA018		FA018V	FA018HH	MD693LS					
3						FA181V	FA181HH	TBC					
4						FA181V	FA181HH	TBC					
5						FA181V	FA181HH	TBC					
6		DB604/6		FA181TT		FA181V	FA181HH	MD840					
7		DB604/6		FA181TT		FA181V	FA181HH	MD840					
8		DB604/6		FA209/2		FA209/2V	FA209/2HH★	MD692	MD692C				
9		DB604/6		FA209/2		FA209/2V	FA209/2HH★	MD692	MD692C				
10				FA018		FA018V	FA018HH	MD693LS					
11		DB604/6		FA209/2		FA209/2V	FA209/2HH★	MD692	MD692C				
12		DB604/6		FA209/2		FA209/2V	FA209/2HH★	MD692	MD692C				
13		DB604/6		FA209/2		FA209/2V	FA209/2HH★	MD692	MD692C				
14		DB604/6		FA209/2		FA209/2V	FA209/2HH★	MD692	MD692C				
15		DB604/6		FA209/2		FA209/2V	FA209/2HH★	MD692	MD692C				
16		DB604/6		FA209/2		FA209/2V	FA209/2HH★	MD692	MD692C				
17		DB604/6		FA209/2		FA209/2V	FA209/2HH★	MD692	MD692C				
18		DB604/6		FA209/2		FA209/2V	FA209/2HH★	MD692	MD692C				
19		DB604/6		FA209/2		FA209/2V	FA209/2HH★	MD692	MD692C				
20		DB604/6		FA209/2		FA209/2V	FA209/2HH★	MD692	MD692C				
21		DB604/6		FA209/2		FA209/2V	FA209/2HH★	MD692	MD692C				
22		DB604/6		FA209/2		FA209/2V	FA209/2HH★	MD692	MD692C				
23		DB604/6		FA209/2		FA209/2V	FA209/2HH★	MD692	MD692C				
24		DB604/6		FA209/2		FA209/2V	FA209/2HH★	MD692	MD692C				
25		DB604/6		FA181TT		FA181V	FA181HH	MD840	MD840C				
26				FA181TT		FA181V	FA181HH						
27		DB604/6		FA047			FA047HH						
28				FA047			FA047HH						
29		DB604/6		FA047			FA047HH						
30		DB604/6		FA047			FA047HH	MD692	MD692C				
31		DB604/6		FA047			FA047HH	MD692	MD692C				
32		DB604/6		FA047			FA047HH	MD692	MD692C				
33		DB604/6		FA047			FA047HH	MD692	MD692C				
34		DB604/6		FA047			FA047HH	MD692	MD692C				
35		DB604/6		FA181TT		FA181V	FA181HH	MD840					
36		DB201/6		FA181TT		FA181V	FA181HH	MD840	MD840C				
37		DB604/6		FA181TT		FA181V	FA181HH	MD840	MD840C				
38		DB604/6		FA181TT		FA181V	FA181HH	MD840					
39		DB201/6		FA181TT		FA181V	FA181HH	MD840					
40		DB604/6		FA181TT		FA181V	FA181HH	MD840					
41		DB201/6		FA181TT		FA181V	FA181HH	MD840					
42		DB201/6		FA181TT		FA181V	FA181HH	MD840					
43		DB201/6		FA181TT		FA181V	FA181HH	MD840					
44		DB604/6		FA181TT		FA181V	FA181HH	MD840					
45		DB604/6		FA181TT		FA181V	FA181HH	MD840					
46				FA209/2		FA209/2V	FA209/2HH★	MD840					
47				FA209/2		FA209/2V	FA209/2HH★	MD840					
48		DB201/6		FA209/2		FA209/2V	FA209/2HH★						
49				FA209/2		FA209/2V	FA209/2HH★	MD840					
50		DB201/6		FA209/2		FA209/2V	FA209/2HH★	MD840					
51				FA209/2		FA209/2V	FA209/2HH★	MD840					
52				FA209/2		FA209/2V	FA209/2HH★	MD840					
53													
54													
55							821G						
56							821G						
57				921									
58				FA047									
59				FA047									
60				921									

REAR / ARRIÈRE / HINTEN / POSTERIORE

R Suffix = High Durability Sintered Pad. **HH** Suffix = High Performance Sintered Pad. **TT** Suffix = Hard Wearing Off Road Pad. **V** Suffix = Semi Sintered Pad. **G** Suffix = Grooved Shoe.
D Suffix = Drilled Disc. **X** Suffix = Universal Left or Right Disc. **XC** Suffix = Contoured Disc. **LS** Suffix = Left/Steel Disc. **RS** = Right/Steel Disc.

BRAKE APPLICATIONS

*-2 Sets Required. † For Vee disc colours add RED, BLU, GRN, GLD, ORG suffix to part number.

⊗ - Also available as a Vintage Motorcycle Disc. ★ - EPFA available. Ⓢ Disc made of Billet steel. ◆ CE solid discs for Enduro use.

Non-JAPANESE Built Motorcycles



MOTO MORINI Contd.



DISC PAD CHOICES - FRONT

BRAKE DISC CHOICES - FRONT

FRONT / AVANT / VORN / FRENTE / ANTERIORE

		FA, SFA, TT Pad or Brake Shoe	SFAC Carbon Scooter Pads	Speciality Pads - SXR / Vee / MXS	Sintered/HH Pads/ Grooved Shoes	Standard Replacement Discs	Contour Disc Universal Left and Right	Vee-Discs Black † See note below	CX Extreme Disc / UTVX Disc	OSX Oversize 250mm or 280mm	Line #
Goguardo 350	1990	FA134			FA134R						1
Kanguro 350	1983				927G						2
Kanguro 350	1984-1986										3
Kanguro 350	1987	FA256			FA256HH						4
Sport 350	1979	FA076*			FA076HH*						5
Sport 350	1980	FA076			FA076HH						6
Sport 350	1981	FA076			FA076HH						7
Seiemmezzo SCR 650cc	2021-2023	FA209/2*			FA209/2HH*★						8
Seiemmezzo STR 650cc	2021-2023	FA209/2*			FA209/2HH*★						9
X-Cape 650cc	2021-2023	FA209/2*			FA209/2HH*★						10
9 1/2 1200	2006-2010	FA244*			FA244HH*★	MD633X*	MD633XC*				11
Corsaro 1200	2005-2010	FA244*			FA244HH*★	MD633X*	MD633XC*				12
Corsaro 1200 Veloce	2007-2009	FA244*			FA244HH*★	MD633X*	MD633XC*				13
Corsaro Avio 1200	2008-2009	FA244			FA244HH★	MD633X*	MD633XC*				14
Corsaro ZZ - ZT 1200	2021-2022				FA447HH*★						15
Granpasso 1200	2008-2010	FA209/2*		FA209/2V*	FA209/2HH*★						16
Milano 1200cc	2021-2022				FA447HH*★						17
Rebello 1200 Giubileo	2012-2013				FA322/4HH*★						18
Scrambler 1200	2008-2009	FA244*			FA244HH*★						19
Scrambler 1200	2010-2013	FA209/2*		FA209/2V*	FA209/2HH*★						20
Sport 1200	2008-2010	FA244*			FA244HH*★	MD633X*	MD633XC*				21
Super Scrambler 1200cc	2021-2022				FA447HH*★						22
											23
											24
											25
											26
											27
											28
											29
											30
											31
											32
											33
											34
											35
											36
											37
											38
											39
											40
											41
											42
											43
											44
											45
											46
											47
											48
											49
											50
											51
											52
											53
											54
											55
											56
											57
											58
											59
											60

*-2 Sets Required. † For Vee disc colours add RED, BLU, GRN, GLD, ORG suffix to part number.

⊗ - Also available as a Vintage Motorcycle Disc. ★ - EPFA available. ⚙ - Disc made of Billet steel. ♦ - CE solid discs for Enduro use.

R Suffix = High Durability Sintered Pad. HH Suffix = High Performance Sintered Pad. TT Suffix = Hard Wearing Off Road Pad. V Suffix = Semi Sintered Pad. G Suffix = Grooved Shoe.
D Suffix = Drilled Disc. X Suffix = Universal Left or Right Disc. XC Suffix = Contoured Disc. LS Suffix = Left/Steel Disc. RS = Right/Steel Disc.

Non-JAPANESE Built Motorcycles

**BRAKE
APPLICATIONS**

Line #	BRAKE DISC CHOICES - FRONT			DISC PAD CHOICES - REAR				BRAKE DISC CHOICES - REAR					
	SMX Oversize 320mm Disc Kit Front Left	Front disc bolt kit	Front Brake Line	FA, SFA, TT Pad or Brake Shoe	SFAC Carbon Scooter Pads	Speciality Pads - SXR / Vee / MXS	Sintered HH/R Pads/ Grooved Shoes	Standard Replacement Disc	Contour Disc Rear Fitment	Vee Discs CONTOUR	CX Extreme MX Race Disc / UTVX Disc	Rear disc bolt kit	Rear Brake Line
1				FA047			FA047HH						
2							927G						
3							927G						
4				FA047									
5				FA076									
6				921									
7													
8				FA266			FA266HH★						
9				FA266			FA266HH★						
10				FA266			FA266HH★						
11				FA266			FA266HH★						
12				FA266			FA266HH★						
13				FA266			FA266HH★						
14				FA266			FA266HH★						
15				FA266			FA266HH★						
16				FA181TT			FA181HH						
17				FA266			FA266HH★						
18				FA266			FA266HH★						
19				FA266			FA266HH★						
20				FA181TT			FA181HH						
21				FA266			FA266HH★						
22				FA266			FA266HH★						
23													
24													
25				873									
26				873									
27				877									
28				877									
29				877									
30				H322									
31													
32													
33				SFA197	SFAC197		SFA197HH						
34													
35													
36				SFA086	SFAC086								
37				SFA086	SFAC086		SFA086HH						
38				SFA197	SFAC197		SFA197HH						
39													
40													
41													
42				Y503									
43				Y503									
44				Y503									
45				Y503									
46				Y503									
47				Y503									
48				Y503									
49				H330			H330G						
50				H330			H330G						
51				H330			H330G						
52				S603									
53													
54				SFA083	SFAC083		SFA083HH	MD982D					
55				Y503									
56				FA083TT			FA083R	MD6354D					
57				S602									
58													
59				S602									
60				FA115			FA115HH						

REAR / ARRIÈRE / HINTEN / POSTERIOR / POSTERIORE

R Suffix = High Durability Sintered Pad. **HH** Suffix = High Performance Sintered Pad. **TT** Suffix = Hard Wearing Off Road Pad. **V** Suffix = Semi Sintered Pad. **G** Suffix = Grooved Shoe.
D Suffix = Drilled Disc. **X** Suffix = Universal Left or Right Disc. **XC** Suffix = Contoured Disc. **LS** Suffix = Left/Steel Disc. **RS** = Right/Steel Disc.

*-2 Sets Required. † For Vee disc colours add RED, BLU, GRN, GLD, ORG suffix to part number.

⊗ - Also available as a Vintage Motorcycle Disc. ★ - EPFA available. ⚙ Disc made of Billet steel. ♦ CE solid discs for Enduro use.

Part numbers, prefixes, suffixes, photos and illustrations shown in this catalogue are trademarks and/or copyrights of EBC Brakes or the trademark owner A C Freeman Investments Ltd and use without express written permission of the owners is punishable by law.

Non-JAPANESE Built Motorcycles



MOTOROMA Contd.



		DISC PAD CHOICES - FRONT				BRAKE DISC CHOICES - FRONT					Line #
		FA, SFA, TT Pad or Brake Shoe	SFAC Carbon Scooter Pads	Speciality Pads - SXR / Vee / MXS	Sintered/HH Pads/ Grooved Shoes	Standard Replacement Discs	Contour Disc Universal Left and Right	Vee-Discs Black † See note below	CX Extreme Disc / UTVX Disc	OSX Oversize 250mm or 280mm	
Virage 125	2001	FA093									1
Geko 300 Quad	2004-2006	FA083TT*			FA083R*						2
MOTRON											
Sting 50	1998	SFA193	SFAC193		SFA193HH						3
Syncro 50	1998	SFA193	SFAC193		SFA193HH						4
Thunder 50	1998	SFA193	SFAC193		SFA193HH						5
MOTUS											
MST-01	2012-2012				FA322/4HH*★						6
MSTR-01	2012-2012				FA322/4HH*★						7
MST	2014-2017	FA244*			FA244HH*★						8
MSTR	2014-2017				FA447HH*★						9
MUTT											
125 Akita	2020-2022	FA761									10
125 Fat Sabbath	2020-2022	FA761									11
125 FSR	2020-2022	FA761									12
125 GT-SR	2023-2024	FA761									13
125 Hiits	2019-2022	FA761									14
125 Mastiff	2020-2022	FA731TT									15
125 Mongrel	2019-2022	FA761									16
125 Mushman	2023-2024	FA761									17
125 Razorback	2019-2022	FA761									18
125 RS-13	2016-2022	FA731TT									19
125 Super 4 Blue	2019-2022	FA731TT									20
250 Akita	2020-2022	FA086			FA086HH						21
250 Fat Sabbath	2020-2022	FA086			FA086HH						22
250 FSR	2020-2022	FA086			FA086HH						23
250 GT-SR	2023-2024	FA086			FA086HH						24
250 Hiits	2019-2022	FA086			FA086HH						25
250 Mongrel	2019-2022	FA086			FA086HH						26
250 Mushman	2023-2024	FA086			FA086HH						27
250 Razorback	2019-2022	FA086			FA086HH						28
250 RS-13	2019-2022	FA086			FA086HH						29
250 Sabbath	2023-2024	FA086			FA086HH						30
250 Super 4 Blue	2019-2022	FA086			FA086HH						31
MV											
Brutale 675	2012-2017	FA244*			FA244HH*★	MD884X*	MD884XC*				32
F3 675	2012-2021	FA244*			FA244HH*★	MD884X*	MD884XC*				33
F3 675 RC	2015-2018				FA447HH*★	MD884X*	MD884XC*				34
F3 675 Serie Oro	2012-2013				FA447HH*★	MD884X*	MD884XC*				35
Brutale 750 Oro F4	2003-2005				FA322/4HH*★						36
Brutale 750 S F4	2003-2005				FA424HH*						37
F4 750 S 1+1 Bi Posto	2001-2004				FA424HH*						38
F4 750 S Mono Posto	1999-2004				FA424HH*	MD675*					39
F4 750 SPR	2001-2004				FA424HH*						40
F4 750 SPR Senna	2001-2003				FA424HH*						41
Brutale 800	2012-2018	FA244*			FA244HH*★	MD884X*	MD884XC*				42
Brutale 800 Dragster	2014-2015	FA244*			FA244HH*★	MD884X*	MD884XC*				43
Brutale 800 Rosso	2019-2021	FA244*			FA244HH*★	MD884X*	MD884XC*				44
Brutale 800 RR	2019-2023	FA244*			FA244HH*★	MD884X*	MD884XC*				45
Brutale 800 RR SCS	2019-2023	FA244*			FA244HH*★	MD884X*	MD884XC*				46
Dragster 800 RC SCS	2017-2021	FA244*			FA244HH*★	MD884X*	MD884XC*				47
Dragster 800 Rosso	2019-2021	FA244*			FA244HH*★	MD884X*	MD884XC*				48
Dragster 800 RR	2015-2023	FA244*			FA244HH*★	MD884X*	MD884XC*				49
Dragster 800 RR SCS	2019-2023	FA244*			FA244HH*★	MD884X*	MD884XC*				50
F3 800	2013-2020				FA447HH*★	MD884X*	MD884XC*				51
F3 800 Ago	2014-2015				FA447HH*★	MD884X*	MD884XC*				52

FRONT / AVANT / VORN / FRENTE / ANTERIORE

R Suffix = High Durability Sintered Pad. HH Suffix = High Performance Sintered Pad. TT Suffix = Hard Wearing Off Road Pad. V Suffix = Semi Sintered Pad. G Suffix = Grooved Shoe.
D Suffix = Drilled Disc. X Suffix = Universal Left or Right Disc. XC Suffix = Contoured Disc. LS Suffix = Left/Steel Disc. RS = Right/Steel Disc.

*-2 Sets Required. † For Vee disc colours add RED, BLU, GRN, GLD, ORG suffix to part number.

⊗ - Also available as a Vintage Motorcycle Disc. ★ - EPFA available. ⚙ Disc made of Billet steel. ♦ CE solid discs for Enduro use.

Non-JAPANESE Built Motorcycles

Line #	BRAKE DISC CHOICES - FRONT			DISC PAD CHOICES - REAR				BRAKE DISC CHOICES - REAR					
	SMX Oversize 320mm Disc Kit Front Left	Front disc bolt kit	Front Brake Line	FA, SFA, TT Pad or Brake Shoe	SFAC Carbon Scooter Pads	Speciality Pads - SXR / Vee / MXS	Sintered HH/R Pads/ Grooved Shoes	Standard Replacement Disc	Contour Disc Rear Fitment	Vee Discs CONTOUR	CX Extreme MX Race Disc / UTVX Disc	Rear disc bolt kit	Rear Brake Line
1				S602									
2				FA165TT			FA165R						
3													
4													
5													
6													
7													
8													
9													
10				FA266			FA266HH★						
11				FA266			FA266HH★						
12				FA266			FA266HH★						
13				FA266			FA266HH★						
14													
15													
16				FA054TT									
17				FA054TT									
18				FA054TT									
19				FA054TT									
20				FA054TT									
21				FA054TT									
22				FA054TT									
23				FA054TT									
24				FA054TT									
25				FA054TT									
26				FA054TT									
27				FA054TT									
28				FA054TT									
29				FA054TT									
30				FA054TT									
31				FA054TT									
32				FA054TT									
33				FA054TT									
34				FA054TT									
35				FA054TT									
36				FA054TT									
37				FA054TT									
38													
39													
40				FA266			FA266HH★	MD885	MD885C				
41				FA266			FA266HH★	MD885	MD885C				
42				FA266			FA266HH★	MD885	MD885C				
43				FA266			FA266HH★	MD885	MD885C				
44							FA320HH	MD696					
45							FA320HH	MD696					
46							FA320HH	MD696					
47							FA320HH	MD696					
48							FA320HH	MD696					
49							FA320HH	MD696					
50				FA266			FA266HH★	MD885	MD885C				
51				FA266			FA266HH★	MD885	MD885C				
52				FA266			FA266HH★	MD885	MD885C				
53				FA266			FA266HH★	MD885	MD885C				
54				FA266			FA266HH★	MD885	MD885C				
55				FA266			FA266HH★	MD885	MD885C				
56				FA266			FA266HH★	MD885	MD885C				
57				FA266			FA266HH★	MD885	MD885C				
58				FA266			FA266HH★	MD885	MD885C				
59				FA266			FA266HH★	MD885	MD885C				
60				FA266			FA266HH★	MD885	MD885C				

REAR / ARRIÈRE / HINTEN / POSTERIOR / POSTERIORE

R Suffix = High Durability Sintered Pad. **HH** Suffix = High Performance Sintered Pad. **TT** Suffix = Hard Wearing Off Road Pad. **V** Suffix = Semi Sintered Pad. **G** Suffix = Grooved Shoe.
D Suffix = Drilled Disc. **X** Suffix = Universal Left or Right Disc. **XC** Suffix = Contoured Disc. **LS** Suffix = Left/Steel Disc. **RS** = Right/Steel Disc.

BRAKE APPLICATIONS

*-2 Sets Required. † For Vee disc colours add RED, BLU, GRN, GLD, ORG suffix to part number.

⊙ - Also available as a Vintage Motorcycle Disc. ★ - EPFA available. ⚙ - Disc made of Billet steel. ◆ - CE solid discs for Enduro use.

Non-JAPANESE Built Motorcycles



MV Contd.



R Suffix = High Durability Sintered Pad. **HH** Suffix = High Performance Sintered Pad. **TT** Suffix = Hard Wearing Off Road Pad. **V** Suffix = Semi Sintered Pad. **G** Suffix = Grooved Shoe.

D Suffix = Drilled Disc. **X** Suffix = Universal Left or Right Disc. **XC** Suffix = Contoured Disc. **LS** Suffix = Left/Steel Disc. **RS** = Right/Steel Disc.

Model	Year	DISC PAD CHOICES - FRONT			BRAKE DISC CHOICES - FRONT					Line #
		FA, SFA, TT Pad or Brake Shoe	SFAC Carbon Scooter Pads	Speciality Pads - SXR / Vee / MXS	Sintered/HH Pads/ Grooved Shoes	Standard Replacement Discs	Contour Disc Universal Left and Right	Vee-Discs Black † See note below	CX Extreme Disc / UTVX Disc	
F3 800 RC	2015-2023				FA447HH*★	MD884X*	MD884XC*			1
F3 800 Rosso	2021-2023				FA447HH*★	MD884X*	MD884XC*			2
F3 800 RR	2021-2023				FA447HH*★	MD884X*	MD884XC*			3
Rivale 800	2014-2018				FA630HH*★	MD884X*	MD884XC*			4
Stradale 800	2015				FA630HH*★	MD884X*	MD884XC*			5
Super Veloce 800	2019-2023				FA630HH*★	MD884X*	MD884XC*			6
SuperVeloce 800 Alpine	2019-2022				FA630HH*★	MD884X*	MD884XC*			7
SuperVeloce 800 S	2019-2022				FA630HH*★	MD884X*	MD884XC*			8
Turismo Veloce 800 Lusso	2015-2023				FA630HH*★	MD884X*	MD884XC*			9
Turismo Veloce 800 Lusso RC	2019-2023				FA630HH*★	MD884X*	MD884XC*			10
Turismo Veloce 800 RC SCS	2019-2023				FA630HH*★	MD884X*	MD884XC*			11
Turismo Veloce 800 Rosso	2014-2023				FA630HH*★	MD884X*	MD884XC*			12
Brutale 910 R	2006-2008				FA322/4HH*★	TBC*				13
Brutale 910 R	2008-2009				FA244HH*★					14
Brutale 910 R	2010-2011				FA244HH*★					15
Brutale 910 R	2011-2012				FA244HH*★					16
Brutale 910 S	2006-2008				FA424HH*					17
Brutale 998 Nurburgring	2021-2023				FA447HH*★					18
Brutale 998 RR	2021-2023				FA447HH*★					19
Brutale 998 RS	2021-2023				FA447HH*★					20
Frece Tricolori 998	2010				FA447HH*★					21
Rush 998	2021-2022				FA447HH*★					22
1000 F4 1000 R 312 1+1	2007-2008				FA322/4HH*★	MD884X*				23
Brutale 1000	2019-2021				FA447HH*★	TBC*				24
Brutale 1090	2012-2015				FA244HH*★	MD884X*				25
Brutale 1090	2013-2015				FA244HH*★	MD884X*				26
F4 1000 Ago	2005				FA424HH*	MD884X*				27
F4 1000 R 312	2007				FA322/4HH*★	MD884X*				28
F4 1000 R 312	2008-2009				FA447HH*★	MD884X*				29
F4 1000 R Senna	2006-2008				FA322/4HH*★	TBC*				30
F4 1000 S Mono Posto	2004-2006				FA424HH*	MD884X*				31
F4 1000 Ss 1+1 Bi Posto	2004-2006				FA424HH*	MD884X*				32
F4 1000 Tamburini	2005				FA424HH*	MD884X*				33
F4 998	2010-2015				FA447HH*★					34
F4 998	2012-2015				FA447HH*★					35
F4 998 RR	2010-2015				FA447HH*★					36
F4 998 RR Corsa Corta	2012				FA447HH*★					37
Brutale RR 1078 RR	2008-2009				FA447HH*★	TBC*				38
F4 1078 100 CC Claudio Castiglioni	2007-2008				FA435/4HH*★	MD884X*				39
F4 1078 RR 312	2009				FA447HH*★	MD884X*				40
Brutale 1090 RR	2010-2015				FA447HH*★	TBC*				41
										42
										43
Moskito 50	2002	SFA083	SFAC083		SFA083HH					44
Moskito 50 FB	1997-2003	SFA169	SFAC169		SFA169HH	MD904D		VR904		45
Moskito 50 SX JP	2000-2003	SFA169	SFAC169		SFA169HH	MD904D		VR904		46
Simpson 50	1980-1994	980								47
VRS 50	2005									48
VRS 100	2005									49
ETZ 125/150	1985-1992	FA018			FA018HH					50
Mantizz 125 S	2005-2007	SFA323	SFAC323		SFA323HH					51
Moskito 125	2002	SFA083	SFAC083		SFA083HH					52
RT 125 All Models	2002-2007	FA197			FA197HH*					53
Saxon 125	1993-1997	FA018			FA018HH	MD623RS				54
SM 125 All Models	2002-2007	FA228			FA228HH					55
SX 125 All Models	2002-2007	FA228			FA228HH					56
TS 125/150	1973	978								57
VRT 125 Quad	2005									58
Saxon 150	1995	FA018			FA018HH	MD623RS				59
VRS 150 Quad	2005									60

FRONT / AVANT / VORN / FRENTE / ANTERIORE

*-2 Sets Required. † For Vee disc colours add RED, BLU, GRN, GLD, ORG suffix to part number.

⊗ - Also available as a Vintage Motorcycle Disc. ★ - EPFA available. ⚙ - Disc made of Billet steel. ♦ - CE solid discs for Enduro use.

310 Part numbers, prefixes, suffixes, photos and illustrations shown in this catalogue are trademarks and/or copyrights of EBC Brakes or the trademark owner A C Freeman Investments Ltd and use without express written permission of the owners is punishable by law.

Non-JAPANESE Built Motorcycles

Line #	BRAKE DISC CHOICES - FRONT			DISC PAD CHOICES - REAR				BRAKE DISC CHOICES - REAR					
	SMX Oversize 320mm Disc Kit Front Left	Front disc bolt kit	Front Brake Line	FA, SFA, TT Pad or Brake Shoe	SFAC Carbon Scooter Pads	Speciality Pads - SXR / Vee / MXS	Sintered HH/R Pads/ Grooved Shoes	Standard Replacement Disc	Contour Disc Rear Fitment	Vee Discs CONTOUR	CX Extreme MX Race Disc / UTVX Disc	Rear disc bolt kit	Rear Brake Line
1				FA266			FA266HH★	MD885	MD885C				
2				FA266			FA266HH★	MD885	MD885C				
3				FA266			FA266HH★	MD885	MD885C				
4				FA266			FA266HH★	MD885	MD885C				
5				FA266			FA266HH★	MD885	MD885C				
6				FA266			FA266HH★	MD885	MD885C				
7				FA266			FA266HH★	MD885	MD885C				
8				FA266			FA266HH★	MD885	MD885C				
9				FA266			FA266HH★	MD885	MD885C				
10				FA266			FA266HH★	MD885	MD885C				
11				FA266			FA266HH★	MD885	MD885C				
12				FA266			FA266HH★	MD885	MD885C				
13							FA320HH	MD696					
14							FA320HH	MD696					
15							FA320HH	MD696					
16							FA320HH	MD696					
17							FA320HH	MD696					
18							FA266HH★	MD696					
19							FA266HH★	MD696					
20							FA266HH★	MD696					
21							FA320HH	MD696					
22							FA266HH★	MD696					
23							FA320HH	MD696					
24							FA266HH★	TBC					
25							FA320HH	MD696					
26							FA320HH	MD696					
27							FA320HH	MD696					
28							FA320HH	MD696					
29							FA320HH	MD696					
30							FA320HH	MD696					
31							FA320HH	MD696					
32							FA320HH	MD696					
33							FA320HH	MD696					
34							FA320HH	MD696					
35							FA320HH	MD696					
36							FA320HH	MD696					
37							FA320HH	MD696					
38							FA320HH	MD696					
39							FA320HH	MD696					
40							FA320HH	MD696					
41							FA320HH	MD696					
42													
43													
44													
45				Y503									
46				Y503									
47				980									
48				FA083TT			FA083R						
49				FA083TT			FA083R						
50				979									
51													
52													
53				FA197			FA197HH★						
54				979									
55				FA197			FA197HH★						
56				FA197			FA197HH★						
57				979									
58				FA165/2TT			FA165/2R						
59				979									
60				FA083TT			FA083R						

REAR / ARRIÈRE / HINTEN / POSTERIOR / POSTERIORE

R Suffix = High Durability Sintered Pad. **HH** Suffix = High Performance Sintered Pad. **TT** Suffix = Hard Wearing Off Road Pad. **V** Suffix = Semi Sintered Pad. **G** Suffix = Grooved Shoe.
D Suffix = Drilled Disc. **X** Suffix = Universal Left or Right Disc. **XC** Suffix = Contoured Disc. **LS** Suffix = Left/Steel Disc. **RS** = Right/Steel Disc.

BRAKE APPLICATIONS

*-2 Sets Required. † For Vee disc colours add RED, BLU, GRN, GLD, ORG suffix to part number.

⊙ - Also available as a Vintage Motorcycle Disc. ★ - EPFA available. ⚙ - Disc made of Billet steel. ♦ - CE solid discs for Enduro use.

Part numbers, prefixes, suffixes, photos and illustrations shown in this catalogue are trademarks and/or copyrights of EBC Brakes or the trademark owner A C Freeman Investments Ltd and use without express written permission of the owners is punishable by law.

Non-JAPANESE Built Motorcycles



MZ/MUZ Contd.



		DISC PAD CHOICES - FRONT				BRAKE DISC CHOICES - FRONT					Line #
		FA, SFA, TT Pad or Brake Shoe	SFAC Carbon Scooter Pads	Speciality Pads - SXR / Vee / MXS	Sintered/HH Pads/ Grooved Shoes	Standard Replacement Discs	Contour Disc Universal Left and Right	Vee-Discs Black † See note below	CX Extreme Disc / UTVX Disc	OSX Oversize 250mm or 280mm	
VRT 175 Quad	2005										1
ETZ 250/300	1985-1992	FA018			FA018HH						2
Fun 251	1995-1996	FA018			FA018HH	MD623RS					3
TS 250	1973	978									4
Saxon Tour 251/301	1993-1998	FA018			FA018HH	MD623RS					5
Saxon 500 All Models	1993-1998	FA018			FA018HH	MD623RS					6
Baghira	1999-2005	FA177									7
Baghira Black Panther	1996-2003	FA177									8
Baghira Forest/Forest HR	1996-2005	FA177									9
Baghira Street Moto	1996-2005	FA177									10
Mastiff	1996-2005	FA177									11
Mastiff	1999-2005	FA095			FA095HH★						12
Skorpion Replica	1995-2001	FA095*			FA095HH★						13
Skorpion Sport/Cup	1995-2001	FA095			FA095HH★	MD619RS					14
Skorpion Tour/Traveller	1995-2002	FA095			FA095HH★	MD619RS					15
1000 S	2003-2007	FA145*			FA145HH★	MD855X*	MD855XC*				16
1000 SF	2005-2007	FA145*			FA145HH★	MD855X*	MD855XC*				17
1000 SFX	2007	FA145*			FA145HH★	MD855X*	MD855XC*				18
1000 ST	2007	FA145*			FA145HH★	MD855X*	MD855XC*				19
NIPPONIA											
Brio 50	2012-2013	SFA086	SFAC086		SFA086HH						22
Ezio 50	2012-2014	SFA086	SFAC086		SFA086HH						23
Neon 50	2012-2015	SFA086	SFAC086		SFA086HH						24
Miro 100	2012-2013	SFA101	SFAC101		SFA101HH						25
Arte 125	2012-2013	SFA197	SFAC197		SFA197HH						26
Brio 125	2012-2015	SFA086	SFAC086		SFA086HH						27
Dion 125	2013-2015	SFA086	SFAC086		SFA086HH						28
Duel 125	2012-2013	FA228			FA228HH						29
Eclipse 125	2012-2013	SFA086	SFAC086		SFA086HH						30
Ezio 125	2012-2013	SFA086	SFAC086		SFA086HH						31
Inter 125	2012-2013	SFA086	SFAC086		SFA086HH						32
Miro 125	2012-2014	SFA101	SFAC101		SFA101HH						33
U2L 125	2012-2013	SFA086	SFAC086		SFA086HH						34
Vorrei 125	2012-2013	SFA086	SFAC086		SFA086HH						35
Arte 150	2012-2013	SFA197	SFAC197		SFA197HH						36
Inter 150	2012-2013	SFA086	SFAC086		SFA086HH						37
Vorrei 150	2012-2013	SFA086	SFAC086		SFA086HH						38
Eclipse 180	2012-2013	SFA086	SFAC086		SFA086HH						39
NORTON											
Classic Rotary	1989	FA018*		FA018V*	FA018HH*						42
Commander Rotary	1990	FA088*			FA088HH★	MD2011*	MD2011C*	VR2011*			43
Interpol 2 Rotary	1989	FA018*		FA018V*	FA018HH*						44
Commando Drum brake models	1968-1970	852									45
Commando Roadster/Interstate 750 MK V	1973	FA027									46
Commando Hi Rider/Interstate 850 MK 1	1973	FA027									47
Commando Roadster/Hi Rider/Interstate MK II	1974	FA027									48
Commando Roadster/Hi Rider/Interstate MK II IIA	1975	FA027									49
Commando Roadster/Interstate 850 MK1 A	1973	FA027									50
961 Commando Café Racer	2010-2014				FA322/4HH★	MD614X*	MD614XC*	VR614BLK*†			51
961 Commando Café Racer	2015-2020				FA630HH★	MD614X*	MD614XC*	VR614BLK*†			52
961 Commando SE	2010-2011				FA322/4HH★	MD614X*	MD614XC*	VR614BLK*†			53
961 Commando SF	2013-2014				FA322/4HH★	MD614X*	MD614XC*	VR614BLK*†			54
961 Commando SF	2015				FA630HH★	MD614X*	MD614XC*	VR614BLK*†			55
961 Commando Sport	2010-2020	FA244*			FA244HH★	MD614X*	MD614XC*	VR614BLK*†			56
961 Dominator Dominator	2015-2020				FA630HH★	MD614X*	MD614XC*	VR614BLK*†			57
F1 Rotary P55 Model	1990	FA095*			FA095HH★	MD684*					58
F1 Rotary P55 B Model	1990-1991	FA095*			FA095HH★	MD684*					59
											60

FRONT / AVANT / VORN / FRENTE / ANTERIORE

R Suffix = High Durability Sintered Pad. HH Suffix = High Performance Sintered Pad. TT Suffix = Hard Wearing Off Road Pad. V Suffix = Semi Sintered Pad. G Suffix = Grooved Shoe.
D Suffix = Drilled Disc. X Suffix = Universal Left or Right Disc. XC Suffix = Contoured Disc. LS Suffix = Left/Steel Disc. RS = Right/Steel Disc.

*-2 Sets Required. † For Vee disc colours add RED, BLU, GRN, GLD, ORG suffix to part number.

⊗ - Also available as a Vintage Motorcycle Disc. ★ - EPFA available. ⚙ Disc made of Billet steel. ♦ CE solid discs for Enduro use.

Non-JAPANESE Built Motorcycles

**BRAKE
APPLICATIONS**

Line #	BRAKE DISC CHOICES - FRONT			DISC PAD CHOICES - REAR				BRAKE DISC CHOICES - REAR					
	SMX Oversize 320mm Disc Kit Front Left	Front disc bolt kit	Front Brake Line	FA, SFA, TT Pad or Brake Shoe	SFAC Carbon Scooter Pads	Speciality Pads - SXR / Vee / MXS	Sintered HH/R Pads/ Grooved Shoes	Standard Replacement Disc	Contour Disc Rear Fitment	Vee Discs CONTOUR	CX Extreme MX Race Disc / UTVX Disc	Rear disc bolt kit	Rear Brake Line
1				FA165/2TT			FA165/2R						
2				978									
3				978									
4				978									
5				978									
6				978									
7				FA173				MD6284D					
8				FA173				MD6284D					
9				FA173				MD6284D					
10				FA173				MD6284D					
11				FA173				MD6284D					
12				FA047			FA047HH						
13				FA047			FA047HH	MD637					
14				FA047			FA047HH	MD637					
15				FA047			FA047HH	MD637					
16				FA254			FA254HH★						
17				FA254			FA254HH★						
18				FA254			FA254HH★						
19				FA254			FA254HH★						
20													
21													
22													
23													
24													
25													
26				SFA197	SFAC197		SFA197HH						
27				SFA197	SFAC197		SFA197HH						
28				SFA197	SFAC197		SFA197HH						
29													
30													
31													
32													
33				Y527									
34													
35													
36				SFA197	SFAC197		SFA197HH						
37													
38													
39													
40													
41													
42				FA018		FA018V	FA018HH						
43		DB201/6		FA088			FA088HH★	MD2069⊕					
44				FA018		FA018V	FA018HH						
45				851									
46				FA027									
47				FA027									
48				FA027									
49				FA027									
50				FA027									
51				FA266			FA266HH★						
52				FA266			FA266HH★						
53				FA266			FA266HH★						
54				FA266			FA266HH★						
55				FA266			FA266HH★						
56				FA266			FA266HH★						
57				FA266			FA266HH★						
58				FA047			FA047HH	MD816					
59				FA095			FA095HH★	MD816					
60													

REAR / ARRIÈRE / HINTEN / POSTERIOR / POSTERIORE

R Suffix = High Durability Sintered Pad. **HH** Suffix = High Performance Sintered Pad. **TT** Suffix = Hard Wearing Off Road Pad. **V** Suffix = Semi Sintered Pad. **G** Suffix = Grooved Shoe.
D Suffix = Drilled Disc. **X** Suffix = Universal Left or Right Disc. **XC** Suffix = Contoured Disc. **LS** Suffix = Left/Steel Disc. **RS** = Right/Steel Disc.

*-2 Sets Required. † For Vee disc colours add RED, BLU, GRN, GLD, ORG suffix to part number.

⊕ - Also available as a Vintage Motorcycle Disc. ★ - EPFA available. ⊕ Disc made of Billet steel. ◆ CE solid discs for Enduro use.

Part numbers, prefixes, suffixes, photos and illustrations shown in this catalogue are trademarks and/or copyrights of EBC Brakes or the trademark owner A C Freeman Investments Ltd and use without express written permission of the owners is punishable by law.

Non-JAPANESE Built Motorcycles



NVT

Easy Rider R	1978
Rambler 125/157	1978

OHVALE

GP-O 110A1104S160 4S	2019-2020
----------------------	-----------

OSSA

Cross 125	1974
TR 125i	2013-2015
250 Cross/Fuego/Super Pioneer 250	1974
Enduro 250i 250i	2012
Explorer 250i 250i	2014-2015
TR 250i 250i	2014-2015
Explorer 280i 280i	2012-2015
TR 280i	2010-2015
Enduro 300i	2012
TR 300i	2014-2015
500	1992
560	1992

PETRONAS

FP1	2005
-----	------

PEUGEOT

103 Pro SP 3 50	1971
Blaster Iceblade 50	2010-2012
Blaster RS 12 50	2010-2011
Buxy M/Buxy RM 50	1994-1997
Buxy M/Buxy RM 50	1994-1997
Buxy M/Buxy RM 50	1994-1997
Buxy M/Buxy RM 50	1994-1997
Buxy M/Buxy RM 50	1994-1997
Buxy M/Buxy RM 50	1994-1997
Buxy M/Buxy RM 50	1994-1997
Django 50 Allure	2014-2018
Django 50 Allure	2014-2018
Django 50 Evasion	2014-2021
Django 50 Evasion	2014-2018
Django 50 Heritage	2014-2018
Django 50 Heritage	2014-2018
Django 50 S	2014-2018
Django 50 S	2014-2018
Django 50 Sport	2014-2021
Django 50 Sport	2014-2018
Elyseo 50	1998-2002
Elyseo 50	1998-2002
Elyseo 50	1998-2002
Elyseo 50	2003
Elystar 50 Advantage	2002-2007
Elystar 50 TSDi	2002-2007
Fox/Fox L 50	1994-1998
Jet C-Tech 50	2011-2012
Jet Darkside 50	2011-2013
Jet Force/Jet-C 50 All Models	2003-2010
Jet H2i 50	2011-2012
Jet H2i 50	2011-2012
Jet Iceblade 50	2011-2013
Kisbee 50	2010-2018
Kisbee 50	2010-2021
Kisbee 50 RS	2010-2018
Kisbee 50 RS	2010-2021

Model	Year	DISC PAD CHOICES - FRONT				BRAKE DISC CHOICES - FRONT					Line #
		FA, SFA, TT Pad or Brake Shoe	SFAC Carbon Scooter Pads	Speciality Pads - SXR / Vee / MXS	Sintered/HH Pads/ Grooved Shoes	Standard Replacement Discs	Contour Disc Universal Left and Right	Vee-Discs Black † See note below	CX Extreme Disc / UTVX Disc	OSX Oversize 250mm or 280mm	
		908									1
		FA076			FA076HH						2
											3
											4
					FA612R	MD9183D					5
											6
					934G						8
		FA303TT									9
					934G						10
		FA181TT		MXS181	FA181R						11
		FA303TT									12
		FA303TT									13
		FA303TT									14
		FA303TT									15
		FA181TT		MXS181	FA181R						16
		FA303TT									17
		FA132			FA132R						18
		FA067			FA067R						19
											20
											21
					FA322/4HH*★						22
											23
											24
		H322									25
		SFA115	SFAC115		SFA115HH			VR9105			26
		SFA115	SFAC115		SFA115HH			VR9105			27
		SFA193	SFAC193		SFA193HH	MD909D					28
		SFA083	SFAC083		SFA083HH	MD909D					29
		SFA115	SFAC115		SFA115HH	MD909D					30
		SFA193	SFAC193		SFA193HH	MD901D		VR901			31
		SFA083	SFAC083		SFA083HH	MD901D		VR901			32
		SFA115	SFAC115		SFA115HH	MD901D		VR901			33
		SFA603	SFAC603		SFA603HH	MD9141D					34
		SFA603	SFAC603		SFA603HH	MD9141D					35
		SFA603	SFAC603		SFA603HH	MD9141D					36
		SFA603	SFAC603		SFA603HH	MD9141D					37
		SFA228	SFAC228		SFA228HH	MD9141D					38
		SFA228	SFAC228		SFA228HH	MD9141D					39
		SFA603	SFAC603		SFA603HH	MD9141D					40
		SFA603	SFAC603		SFA603HH	MD9141D					41
		SFA603	SFAC603		SFA603HH	MD9141D					42
		SFA603	SFAC603		SFA603HH	MD9141D					43
		SFA193	SFAC193		SFA193HH	MD901D		VR901			44
		SFA083	SFAC083		SFA083HH	MD901D		VR901			45
		SFA115	SFAC115		SFA115HH	MD901D		VR901			46
		SFA115	SFAC115		SFA115HH	MD901D		VR901			47
		SFA115	SFAC115		SFA115HH	MD947D		VR947			48
		SFA115	SFAC115		SFA115HH	MD947D		VR947			49
		H322									50
		SFA115	SFAC115		SFA115HH	MD985D		VR985			51
		SFA115	SFAC115		SFA115HH	MD985D		VR985			52
		SFA115	SFAC115		SFA115HH	MD985D		VR985			53
		SFA115	SFAC115		SFA115HH						54
		SFA115	SFAC115		SFA115HH						55
		SFA115	SFAC115		SFA115HH	MD985D		VR985			56
		SFA083	SFAC083		SFA083HH						57
		SFA083	SFAC083		SFA083HH						58
		SFA083	SFAC083		SFA083HH						59
		SFA083	SFAC083		SFA083HH						60

FRONT / AVANT / VORN / FRENTE / ANTERIORE

R Suffix = High Durability Sintered Pad. HH Suffix = High Performance Sintered Pad. TT Suffix = Hard Wearing Off Road Pad. V Suffix = Semi Sintered Pad. G Suffix = Grooved Shoe. D Suffix = Drilled Disc. X Suffix = Universal Left or Right Disc. XC Suffix = Contoured Disc. LS Suffix = Left/Steel Disc. RS = Right/Steel Disc.

*-2 Sets Required. † For Vee disc colours add RED, BLU, GRN, GLD, ORG suffix to part number.

⊗ - Also available as a Vintage Motorcycle Disc. ★ - EPFA available. ⚙ - Disc made of Billet steel. ♦ - CE solid discs for Enduro use.

Non-JAPANESE Built Motorcycles

BRAKE APPLICATIONS

Line #	BRAKE DISC CHOICES - FRONT			DISC PAD CHOICES - REAR				BRAKE DISC CHOICES - REAR					
	SMX Oversize 320mm Disc Kit Front Left	Front disc bolt kit	Front Brake Line	FA, SFA, TT Pad or Brake Shoe	SFAC Carbon Scooter Pads	Speciality Pads - SXR / Vee / MXS	Sintered HH/R Pads/ Grooved Shoes	Standard Replacement Disc	Contour Disc Rear Fitment	Vee Discs CONTOUR	CX Extreme MX Race Disc / UTVX Disc	Rear disc bolt kit	Rear Brake Line
1				908									
2							821G						
3													
4													
5							FA602R	MD904D					
6													
7													
8							990G						
9				FA351TT									
10							990G						
11				FA368TT		MXS368	FA368R						
12				FA351TT									
13				FA351TT									
14				FA351TT									
15				FA351TT									
16				FA368TT		MXS368	FA368R						
17				FA351TT									
18				FA067			FA067R						
19				FA067			FA067R						
20													
21													
22				FA266			FA266HH★						
23													
24													
25				H322									
26				SFA115	SFAC115		SFA115HH						
27				SFA115	SFAC115		SFA115HH						
28				H303									
29				H303									
30				H303									
31				H303									
32				H303									
33				H303									
34				H303									
35				H303									
36				893									
37				893									
38				H303									
39				H303									
40				H303									
41				H303									
42				893									
43				893									
44				H303									
45				H303									
46				H303									
47				SFA115	SFAC115		SFA115HH	MD925D	MD925C	VR925			
48				SFA115	SFAC115		SFA115HH	MD925D		VR925			
49				SFA350	SFAC350		SFA350HH	MD978D		VR978			
50				H303									
51				SFA115	SFAC115		SFA115HH	MD984D		VR984			
52				SFA115	SFAC115		SFA115HH	MD984D		VR984			
53				SFA115	SFAC115		SFA115HH	MD984D		VR984			
54				H303									
55				SFA115	SFAC115		SFA115HH						
56				SFA115	SFAC115		SFA115HH	MD984D		VR984			
57				H353									
58				H353									
59				H353									
60				H353									

REAR / ARRIÈRE / HINTEN / POSTERIOR / POSTERIORE

R Suffix = High Durability Sintered Pad. **HH** Suffix = High Performance Sintered Pad. **TT** Suffix = Hard Wearing Off Road Pad. **V** Suffix = Semi Sintered Pad. **G** Suffix = Grooved Shoe.
D Suffix = Drilled Disc. **X** Suffix = Universal Left or Right Disc. **XC** Suffix = Contoured Disc. **LS** Suffix = Left/Steel Disc. **RS** = Right/Steel Disc.

*-2 Sets Required. † For Vee disc colours add RED, BLU, GRN, GLD, ORG suffix to part number.

⊙ - Also available as a Vintage Motorcycle Disc. ★ - EPFA available. ⚙ Disc made of Billet steel. ◆ CE solid discs for Enduro use.

Part numbers, prefixes, suffixes, photos and illustrations shown in this catalogue are trademarks and/or copyrights of EBC Brakes or the trademark owner A C Freeman Investments Ltd and use without express written permission of the owners is punishable by law.

Non-JAPANESE Built Motorcycles



PEUGEOT Contd.



DISC PAD CHOICES - FRONT

BRAKE DISC CHOICES - FRONT

R Suffix = High Durability Sintered Pad. HH Suffix = High Performance Sintered Pad. TT Suffix = Hard Wearing Off Road Pad. V Suffix = Semi Sintered Pad. G Suffix = Grooved Shoe.

D Suffix = Drilled Disc. X Suffix = Universal Left or Right Disc. XC Suffix = Contoured Disc. LS Suffix = Left/Steel Disc. RS = Right/Steel Disc.

FRONT / AVANT / VORN / FRENTE / ANTERIORE

Model	Year	DISC PAD CHOICES - FRONT				BRAKE DISC CHOICES - FRONT					Line #
		FA, SFA, TT Pad or Brake Shoe	SFAC Carbon Scooter Pads	Speciality Pads - SXR / Vee / MXS	Sintered/HH Pads/ Grooved Shoes	Standard Replacement Discs	Contour Disc Universal Left and Right	Vee-Discs Black † See note below	CX Extreme Disc / UTVX Disc	OSX Oversize 250mm or 280mm	
LooXoR 50	2001-2006	SFA115	SFAC115		SFA115HH	MD954D		VR954			1
LooXoR 50	2001-2006	SFA083	SFAC083		SFA083HH	MD954D		VR954			2
LooXoR 50 TSDI	2006	SFA115	SFAC115		SFA115HH	MD954D		VR954			3
Ludix 50 2 Biposto	2007-2009	H303									4
Ludix 50 2 One Biposto	2010-2012	H303									5
Ludix 50 2 One Monoposto	2010-2011	H303									6
Ludix 50 2 Trend	2007-2012	SFA115	SFAC115		SFA115HH			VR9105			7
Ludix 50 Acid	2006	SFA115	SFAC115		SFA115HH	MD992D		VR992			8
Ludix 50 Blaster	2005-2009	SFA115	SFAC115		SFA115HH			VR9105			9
Ludix 50 Bullet	2004	SFA115	SFAC115		SFA115HH	MD992D		VR992			10
Ludix 50 Classic	2004-2005	H303									11
Ludix 50 Elegance	2004-2009	SFA115	SFAC115		SFA115HH	MD993D					12
Ludix 50 One	2004-2012	H303									13
Ludix 50 Pro	2011-2013	SFA115	SFAC115		SFA115HH			VR901			14
Ludix 50 Pro	2011-2013	SFA193	SFAC193		SFA193HH			VR901			15
Ludix 50 Red Zone	2006	SFA115	SFAC115		SFA115HH	MD992D		VR992			16
Ludix 50 Snake	2004-2009	SFA115	SFAC115		SFA115HH	MD992D		VR992			17
Ludix 50 Trend	2004-2007	SFA115	SFAC115		SFA115HH	MD992D		VR992			18
Ludix 50 Urban Track	2006-2007	SFA115	SFAC115		SFA115HH	MD992D		VR992			19
Metal-X 50 All Models	2004-2006	SFA115	SFAC115		SFA115HH	MD984D		VR984			20
New Tweet Evo 50	2014-2020	SFA264	SFAC264		SFA264HH	MD9148D		VR9148			21
New Tweet Evo 50 RS	2014-2015	SFA264	SFAC264		SFA264HH						22
New Vivacity 50	2008-2014	SFA054	SFAC054		SFA054HH	MD9141D		VR9141			23
New Vivacity 50	2008-2014	SFA054	SFAC054		SFA054HH	MD9141D		VR9141			24
New Vivacity 50 Sixties	2010-2013	SFA054	SFAC054		SFA054HH	MD9141D		VR9141			25
NK7 50	2009-2012	FA399									26
Pulsion Allure R	2019										27
Speedake 50	1995-2001	SFA083	SFAC083		SFA083HH	MD909D					28
Speedake 50	1995-2001	SFA115	SFAC115		SFA115HH	MD909D					29
Speedake 50	1995-2001	SFA083	SFAC083		SFA083HH	MD901D		VR901			30
Speedake 50	1995-2001	SFA115	SFAC115		SFA115HH	MD901D		VR901			31
Speedfight 1/2 50	1997-2008	SFA115	SFAC115		SFA115HH	MD925D	MD925C	VR925			32
Speedfight 1/2 50	1997-2008	SFA083	SFAC083		SFA083HH	MD925D	MD925C	VR925			33
Speedfight 1/2 50	1997-2008	SFA115	SFAC115		SFA115HH	MD925D	MD925C	VR925			34
Speedfight 1/2 50	1997-2008	SFA083	SFAC083		SFA083HH	MD925D	MD925C	VR925			35
Speedfight 3 50	2009-2015	SFA086	SFAC086		SFA086HH						36
Speedfight 3 50	2009-2015	SFA086	SFAC086		SFA086HH						37
Speedfight 3 50 Darkside	2013-2015	SFA086	SFAC086		SFA086HH						38
Speedfight 3 50 Darkside	2013-2015	SFA086	SFAC086		SFA086HH						39
Speedfight 3 50 Furious	2013	SFA086	SFAC086		SFA086HH						40
Speedfight 3 50 Iceblade	2013-2015	SFA086	SFAC086		SFA086HH			VR9180			41
Speedfight 3 50 Iceblade	2013-2015	SFA086	SFAC086		SFA086HH			VR9180			42
Speedfight 3 50 RS	2009-2012	SFA086	SFAC086		SFA086HH						43
Speedfight 3 50 RS	2010-2012	SFA086	SFAC086		SFA086HH						44
Speedfight 4 50 20th Anniversary Edition	2018	SFA086	SFAC086		SFA086HH			VR9180			45
Speedfight 4 50 Classic	2015-2020	SFA086	SFAC086		SFA086HH			VR9180			46
Speedfight 4 50 Classic	2015-2020	SFA086	SFAC086		SFA086HH			VR9180			47
Speedfight 4 50 Darkside	2015-2018	SFA086	SFAC086		SFA086HH			VR9180			48
Speedfight 4 50 Darkside	2015-2018	SFA086	SFAC086		SFA086HH			VR9180			49
Speedfight 4 50 Iceblade	2015-2018	SFA086	SFAC086		SFA086HH			VR9180			50
Speedfight 4 50 Iceblade	2015-2018	SFA086	SFAC086		SFA086HH			VR9180			51
Speedfight 4 50 Pure	2015-2018	SFA086	SFAC086		SFA086HH			VR9180			52
Speedfight 4 50 Pure	2015-2018	SFA086	SFAC086		SFA086HH			VR9180			53
Speedfight 4 50 R-Cup	2018-2020	SFA086	SFAC086		SFA086HH			VR9180			54
Speedfight 50 Air	2020-2021	SFA086	SFAC086		SFA086HH			VR9180			55
Speedfight 50 Darkside Air	2020-2021	SFA086	SFAC086		SFA086HH			VR9180			56
Speedfight 50 R-Cup	2020-2021	SFA086	SFAC086		SFA086HH			VR9180			57
Speedfight 50 Sportline	2020-2021	SFA086	SFAC086		SFA086HH			VR9180			58
Squab 50	1995-2001	SFA083	SFAC083		SFA083HH	MD909D					59
Squab 50	1995-2001	SFA115	SFAC115		SFA115HH	MD909D					60

*-2 Sets Required. † For Vee disc colours add RED, BLU, GRN, GLD, ORG suffix to part number.

⊗ - Also available as a Vintage Motorcycle Disc. ★ - EPFA available. ⚙ - Disc made of Billet steel. ♦ - CE solid discs for Enduro use.

Non-JAPANESE Built Motorcycles

Line #	BRAKE DISC CHOICES - FRONT			DISC PAD CHOICES - REAR				BRAKE DISC CHOICES - REAR					
	SMX Oversize 320mm Disc Kit Front Left	Front disc bolt kit	Front Brake Line	FA, SFA, TT Pad or Brake Shoe	SFAC Carbon Scooter Pads	Speciality Pads - SXR / Vee / MXS	Sintered HH/R Pads/ Grooved Shoes	Standard Replacement Disc	Contour Disc Rear Fitment	Vee Discs CONTOUR	CX Extreme MX Race Disc / UTVX Disc	Rear disc bolt kit	Rear Brake Line
1				H303									
2				H303									
3				SFA115	SFAC115		SFA115HH	MD901D		VR901			
4				H303									
5				H303									
6				H303									
7				H303									
8				H303									
9				H303									
10				H303									
11				H303									
12				H303									
13				H303									
14				H303									
15				H303									
16				H303									
17				H303									
18				H303									
19				H303									
20				H303									
21				H307									
22				SFA260	SFAC260		SFA260HH						
23				H353									
24				H353									
25				H353									
26				FA093									
27													
28				H303									
29				H303									
30				H303									
31				H303									
32				H303									
33				SFA260	SFAC260		SFA260HH	MD925D	MD925C	VR925			
34				SFA115	SFAC115		SFA115HH	MD925D	MD925C	VR925			
35				SFA260	SFAC260		SFA260HH	MD925D	MD925C	VR925			
36				H353									
37				SFA266	SFAC266		SFA266HH						
38				H353									
39				SFA266	SFAC266		SFA266HH						
40				SFA266	SFAC266		SFA266HH						
41				H353									
42				SFA266	SFAC266		SFA266HH						
43				SFA266	SFAC266		SFA266HH						
44				SFA266	SFAC266		SFA266HH						
45				H353									
46				H353									
47				SFA266	SFAC266		SFA266HH						
48				H353									
49				SFA266	SFAC266		SFA266HH						
50				H353									
51				SFA266	SFAC266		SFA266HH						
52				H353									
53				SFA266	SFAC266		SFA266HH						
54				SFA266	SFAC266		SFA266HH						
55				SFA266	SFAC266		SFA266HH						
56				SFA266	SFAC266		SFA266HH						
57				SFA266	SFAC266		SFA266HH						
58				SFA266	SFAC266		SFA266HH						
59				H303									
60				H303									

REAR / ARRIÈRE / HINTEN / POSTERIOR / POSTERIORE

R Suffix = High Durability Sintered Pad. **HH** Suffix = High Performance Sintered Pad. **TT** Suffix = Hard Wearing Off Road Pad. **V** Suffix = Semi Sintered Pad. **G** Suffix = Grooved Shoe.
D Suffix = Drilled Disc. **X** Suffix = Universal Left or Right Disc. **XC** Suffix = Contoured Disc. **LS** Suffix = Left/Steel Disc. **RS** = Right/Steel Disc.

BRAKE APPLICATIONS

*-2 Sets Required. † For Vee disc colours add RED, BLU, GRN, GLD, ORG suffix to part number.

⊗ - Also available as a Vintage Motorcycle Disc. ★ - EPFA available. Ⓢ Disc made of Billet steel. ◆ CE solid discs for Enduro use.

Part numbers, prefixes, suffixes, photos and illustrations shown in this catalogue are trademarks and/or copyrights of EBC Brakes or the trademark owner A C Freeman Investments Ltd and use without express written permission of the owners is punishable by law.

Non-JAPANESE Built Motorcycles



PEUGEOT Contd.



		DISC PAD CHOICES - FRONT				BRAKE DISC CHOICES - FRONT				
		FA, SFA, TT Pad or Brake Shoe	SFAC Carbon Scooter Pads	Speciality Pads - SXR / Vee / MXS	Sintered/HH Pads/ Grooved Shoes	Standard Replacement Discs	Contour Disc Universal Left and Right	Vee-Discs Black † See note below	CX Extreme Disc / UTVX Disc	OSX Oversize 250mm or 280mm
Squab 50	1995-2001	SFA083	SFAC083		SFA083HH	MD901D		VR901		
Squab 50	1995-2001	SFA115	SFAC115		SFA115HH	MD901D		VR901		
Streetzone 12 50	2014-2018	SFA115	SFAC115		SFA115HH					
SV Geo 50/80/125	1991-1992	SFA131/2			SFA131/2HH	MD909D				
SV Geo 50/80/125	1991-1992	SFA083			SFA083HH	MD909D				
SV Geo 50/80/125	1993	SFA131/3			SFA131/3HH	MD901D		VR901		
SV Geo 50/80/125	1993	SFA083			SFA083HH	MD901D		VR901		
SV J Geo 50	1991-1995	H303								
Trekker 50	1998-2000	SFA115	SFAC115		SFA115HH	MD901D		VR901		
Trekker 50	1998-2000	SFA083	SFAC083		SFA083HH	MD901D		VR901		
TRK 2WRC 50	1999-2008	SFA115	SFAC115		SFA115HH	MD901D		VR901		
TRK 2WRC 50	1999-2008	SFA083	SFAC083		SFA083HH	MD901D		VR901		
TRK 50	2009-2012	SFA115	SFAC115		SFA115HH	MD901D		VR901		
TRK 50 12	2009-2012	SFA115	SFAC115		SFA115HH	MD901D		VR901		
Tweet 50	2010-2013	SFA264	SFAC264		SFA264HH	MD9148D		VR9148		
Tweet 50 RS	2010-2013	SFA264	SFAC264		SFA264HH					
V-Clic 50	2008-2013	SFA169	SFAC169		SFA169HH	MD904D		VR904		
V-Clic 50	2008-2011	SFA169	SFAC169		SFA169HH					
Vivacity 50	1992-2007	SFA115	SFAC115		SFA115HH	MD901D		VR901		
Vivacity 50	1992-2007	SFA083	SFAC083		SFA083HH	MD901D		VR901		
Vivacity 50 2	2008-2011	SFA115	SFAC115		SFA115HH	MD901D		VR901		
Vivacity 50 2	2008-2011	SFA083	SFAC083		SFA083HH	MD901D		VR901		
Vogue 50	2008-2009	H303								
XP6 Enduro/Top Road 50	2003-2010	FA115			FA115HH					
XP6 Supermoto 50	2003-2009	FA115			FA115HH					
XPS Enduro 50	2003-2009	FA115			FA115HH					
XPS SM 50	2009	FA093								
XPS Street 50	2003-2009	FA194			FA194HH					
XPS Supermoto 50	2003-2010	FA194			FA194HH					
XPS Top Road 50	2010-2012	FA093								
XPS Track 50	2011-2012	FA093								
XR 6 50	2003-2007	FA167			FA167HH	MD6318D				
XR7 Full Fairing 50	2008-2012	FA399								
Zenith LS 50	1996-1999	SFA115	SFAC115		SFA115HH			VR904		
Zenith LS 50	1996-1999	SFA083	SFAC083		SFA083HH			VR904		
Zenith LS 50	1996-1999	SFA115	SFAC115		SFA115HH	MD914D				
Zenith LS 50	1996-1999	SFA083	SFAC083		SFA083HH	MD914D				
Zenith M/N 50	1996-2000	H303								
Elyseo 100	1998-2002	SFA115	SFAC115		SFA115HH	MD947D		VR947		
Elyseo 100	2003	SFA115	SFAC115		SFA115HH	MD947D		VR947		
Kissbee 100	2012-2014	SFA083	SFAC083		SFA083HH					
LooXoR 100 All Models	2001-2004	SFA115	SFAC115		SFA115HH	MD954D		VR954		
Speedflight 100	1997-2007	SFA115	SFAC115		SFA115HH	MD925D	MD925C	VR925		
Streetzone 100	2014-2015	SFA115	SFAC115		SFA115HH					
SV L 100	1978	SFA116				MD901D		VR901		
Trekker 100	1998-2000	SFA115	SFAC115		SFA115HH	MD901D		VR901		
VOX 110	2012-2013	SFA635								
Belville 125 Allure	2018-2021	SFA264	SFAC264		SFA264HH					
Belville 125 RS	2018-2021	SFA264	SFAC264		SFA264HH					
City Star 125 Blue Line	2015	SFA228	SFAC228		SFA228HH					
City Star 125i	2011	SFA228	SFAC228		SFA228HH					
City Star 125i	2012-2015	SFA353	SFAC353							
City Star 125i Active	2013-2014	SFA353	SFAC353							
City Star 125i Active	2014-2019	SFA353	SFAC353							
Django 125 Allure	2014-2021	SFA603	SFAC603		SFA603HH	MD9141D				
Django 125 Allure SBC	2014-2021	SFA603	SFAC603		SFA603HH	MD9141D				
Django 125 Evasion	2014-2021	SFA603	SFAC603		SFA603HH	MD9141D				
Django 125 Evasion SBC	2014-2021	SFA603	SFAC603		SFA603HH	MD9141D				
Django 125 Heritage	2014-2021	SFA228	SFAC228		SFA228HH	MD9141D				
Django 125 Heritage SBC	2014-2021	SFA603	SFAC603		SFA603HH	MD9141D				

Line #

FRONT / AVANT / VORN / FRENTE / ANTERIORE

R Suffix = High Durability Sintered Pad. HH Suffix = High Performance Sintered Pad. TT Suffix = Hard Wearing Off Road Pad. V Suffix = Semi Sintered Pad. G Suffix = Grooved Shoe.
D Suffix = Drilled Disc. X Suffix = Universal Left or Right Disc. XC Suffix = Contoured Disc. LS Suffix = Left/Steel Disc. RS = Right/Steel Disc.

*-2 Sets Required. † For Vee disc colours add RED, BLU, GRN, GLD, ORG suffix to part number.

⊗ - Also available as a Vintage Motorcycle Disc. ★ - EPFA available. ⚙ - Disc made of Billet steel. ♦ - CE solid discs for Enduro use.

Non-JAPANESE Built Motorcycles

Line #	BRAKE DISC CHOICES - FRONT			DISC PAD CHOICES - REAR				BRAKE DISC CHOICES - REAR					
	SMX Oversize 320mm Disc Kit Front Left	Front disc bolt kit	Front Brake Line	FA, SFA, TT Pad or Brake Shoe	SFAC Carbon Scooter Pads	Speciality Pads - SXR / Vee / MXS	Sintered HH/R Pads/ Grooved Shoes	Standard Replacement Disc	Contour Disc Rear Fitment	Vee Discs CONTOUR	CX Extreme MX Race Disc / UTVX Disc	Rear disc bolt kit	Rear Brake Line
1				H303									
2				H303									
3				H353									
4				H303									
5				H303									
6				H303									
7				H303									
8				H303									
9				H303									
10				H303									
11				H303									
12				H303									
13				H303									
14				H303									
15				H307									
16				SFA260	SFAC260		SFA260HH						
17				H303									
18				H303									
19				H303									
20				H303									
21				H303									
22				H303									
23				H303									
24				FA115			FA115HH						
25				FA115			FA115HH						
26				FA115			FA115HH						
27				FA093									
28				FA115			FA115HH						
29				FA115			FA115HH						
30				FA115									
31				FA115									
32				FA115			FA115HH						
33				FA093									
34				H303									
35				H303									
36				H303									
37				H303									
38				H303									
39				H303									
40				SFA115	SFAC115		SFA115HH	MD925D		VR925			
41				H307									
42				SFA115	SFAC115		SFA115HH	MD901D		VR901			
43				SFA115	SFAC115		SFA115HH	MD925D	MD925C	VR925			
44				H307									
45				H303									
46				H303									
47				H303									
48				SFA260	SFAC260		SFA260HH						
49				SFA260	SFAC260		SFA260HH						
50				SFA067	SFAC067		SFA067HH						
51				SFA260	SFAC260		SFA260HH						
52				SFA298	SFAC298								
53				SFA298	SFAC298								
54				SFA298	SFAC298								
55				SFA067	SFAC067		SFA067HH	MD9167D		VR9167			
56				SFA067	SFAC067		SFA067HH	MD9167D		VR9167			
57				SFA067	SFAC067		SFA067HH	MD9167D		VR9167			
58				SFA067	SFAC067		SFA067HH	MD9167D		VR9167			
59				SFA266	SFAC266		SFA266HH	MD9170D					
60				SFA067	SFAC067		SFA067HH	MD9167D		VR9167			

REAR / ARRIÈRE / HINTEN / POSTERIOR / POSTERIORE

R Suffix = High Durability Sintered Pad. **HH** Suffix = High Performance Sintered Pad. **TT** Suffix = Hard Wearing Off Road Pad. **V** Suffix = Semi Sintered Pad. **G** Suffix = Grooved Shoe.
D Suffix = Drilled Disc. **X** Suffix = Universal Left or Right Disc. **XC** Suffix = Contoured Disc. **LS** Suffix = Left/Steel Disc. **RS** = Right/Steel Disc.

BRAKE APPLICATIONS

*-2 Sets Required. † For Vee disc colours add RED, BLU, GRN, GLD, ORG suffix to part number.

⊙ - Also available as a Vintage Motorcycle Disc. ★ - EPFA available. ⊕ Disc made of Billet steel. ◆ CE solid discs for Enduro use.

Part numbers, prefixes, suffixes, photos and illustrations shown in this catalogue are trademarks and/or copyrights of EBC Brakes or the trademark owner A C Freeman Investments Ltd and use without express written permission of the owners is punishable by law.

Non-JAPANESE Built Motorcycles



PEUGEOT Contd.



DISC PAD CHOICES - FRONT

BRAKE DISC CHOICES - FRONT

R Suffix = High Durability Sintered Pad. HH Suffix = High Performance Sintered Pad. TT Suffix = Hard Wearing Off Road Pad. V Suffix = Semi Sintered Pad. G Suffix = Grooved Shoe.

D Suffix = Drilled Disc. X Suffix = Universal Left or Right Disc. XC Suffix = Contoured Disc. LS Suffix = Left/Steel Disc. RS = Right/Steel Disc.

FRONT / AVANT / VORN / FRENTE / ANTERIORE

		FA, SFA, TT Pad or Brake Shoe	SFAC Carbon Scooter Pads	Speciality Pads - SXR / Vee / MXS	Sintered/HH Pads/ Grooved Shoes	Standard Replacement Discs	Contour Disc Universal Left and Right	Vee-Discs Black † See note below	CX Extreme Disc / UTVX Disc	OSX Oversize 250mm or 280mm	Line #
Django 125 S	2014-2021	SFA603	SFAC603		SFA603HH	MD9141D					1
Django 125 Sport	2014-2021	SFA603	SFAC603		SFA603HH	MD9141D					2
Django 125 Sport SBC	2014-2021	SFA603	SFAC603		SFA603HH	MD9141D					3
Elyseo 125/150	1998-2001	SFA115	SFAC115		SFA115HH	MD947D		VR947			4
Elyseo 125/150	1998-2001	SFA083	SFAC083		SFA083HH	MD947D		VR947			5
Elyseo 125/150	2002-2005	SFA194	SFAC194		SFA194HH	MD977D					6
Elyseo 125/150	2003	SFA194	SFAC194		SFA194HH	MD977D					7
Elyseo 125/150	2006-2007	SFA194	SFAC194		SFA194HH	MD980D					8
e-Satelis 125	2011-2013	SFA228	SFAC228		SFA228HH						9
Geo 125 RS	2007-2012	SFA228	SFAC228		SFA228HH	MD9111D		VR9111			10
Geopolis 125	2007-2012	SFA194	SFAC194		SFA194HH	MD9111D		VR9111			11
Geopolis 125 Executive	2007-2012	SFA194	SFAC194		SFA194HH	MD9111D		VR9111			12
Geopolis 125 Premium	2007-2012	SFA228	SFAC228		SFA228HH	MD9111D		VR9111			13
Geopolis 125 Urban	2007-2012	SFA194	SFAC194		SFA194HH						14
Jet Force 125 All Models	2003-2007	SFA194	SFAC194		SFA194HH	MD980D					15
LooXoR 125/150	2003-2006	SFA324	SFAC324		SFA324HH	MD954D		VR954			16
Ludix Ambition 125	2004	SFA115	SFAC115		SFA115HH	MD909D					17
Ludix Ambition 125	2004	SFA115	SFAC115		SFA115HH	MD901D		VR901			18
LXR 125	2010-2013	SFA264	SFAC264		SFA264HH						19
New Tweet Evo 125	2014-2020	SFA264	SFAC264		SFA264HH	MD9148D		VR9148			20
New Tweet Evo 125	2014-2020	SFA264	SFAC264		SFA264HH						21
Pulsion Active 125	2019										22
Pulsion RS 125	2019										23
Satelis 125	2013	SFA603	SFAC603		SFA603HH						24
Satelis 125 4V Executive/Premium/City	2006-2009	SFA194	SFAC194		SFA194HH	MD9111D		VR9111			25
Satelis 125 Avenue	2008-2009	SFA228	SFAC228		SFA228HH						26
Satelis 125 Blacksats	2010-2011	SFA194	SFAC194		SFA194HH						27
Satelis 125 Blue Line	2015	SFA228	SFAC228		SFA228HH						28
Satelis 125 Compressor	2006-2011	SFA194	SFAC194		SFA194HH	MD9111D		VR9111			29
Satelis 125 RS	2007-2013	SFA194	SFAC194		SFA194HH						30
Satelis 125 RS	2013	SFA228	SFAC228		SFA228HH						31
Satelis 125 Urban	2007-2011	SFA194	SFAC194		SFA194HH						32
Satelis 125 Whitesat	2010-2011	SFA194	SFAC194		SFA194HH						33
Speedfight 125	2014-2015	SFA086	SFAC086		SFA086HH						34
Speedfight 125 Darkside	2014-2015	SFA086	SFAC086		SFA086HH						35
Speedfight 125 Iceblade	2014-2015	SFA086	SFAC086		SFA086HH						36
Speedfight 125 Team	2014-2015	SFA086	SFAC086		SFA086HH						37
Speedfight 4 125	2017-2021	SFA603	SFAC603		SFA603HH			VR9180			38
Speedfight 4 125 I R-Cup SBC	2018-2021	SFA603	SFAC603		SFA603HH			VR9180			39
Speedfight 4 125 SBC	2018-2021	SFA603	SFAC603		SFA603HH			VR9180			40
Tweet 125	2010-2012	SFA264	SFAC264		SFA264HH	MD9137D		VR9137			41
Tweet 125	2012-2013	SFA264	SFAC264		SFA264HH	MD9148D		VR9148			42
Tweet 125 125 RS	2010-2013	SFA264	SFAC264		SFA264HH						43
Vivacity 125	2010-2015	SFA228	SFAC228		SFA228HH	MD9141D		VR9141			44
Vivacity 125 Sixties	2011-2012	SFA228	SFAC228		SFA228HH	MD9141D		VR9141			45
WTR 125	2008	FA197			FA197HH★						46
XP Street Evo 2 125	2005	FA167			FA167HH						47
XPS 125 CT	2005-2007	FA115			FA115HH						48
City Star 150	2011-2015	SFA228	SFAC228		SFA228HH						49
City Star 150i	2013-2015	SFA228	SFAC228		SFA228HH						50
City Star One 150	2013-2014	SFA228	SFAC228		SFA228HH						51
Django 150 Allure	2014-2021	SFA603	SFAC603		SFA603HH	MD9141D					52
Django 150 Evasion	2014-2021	SFA603	SFAC603		SFA603HH	MD9141D					53
Django 150 Heritage	2014-2021	SFA228	SFAC228		SFA228HH	MD9141D					54
Django 150 S	2014-2021	SFA603	SFAC603		SFA603HH	MD9141D					55
Django 150 Sport	2014-2021	SFA603	SFAC603		SFA603HH	MD9141D					56
New Tweet Evo 150	2014-2019	SFA264	SFAC264		SFA264HH	MD9148D		VR9148			57
New Tweet Evo 150 RS	2014-2019	SFA264	SFAC264		SFA264HH						58
Tweet 150	2010-2012	SFA264	SFAC264		SFA264HH	MD9137D		VR9137			59
Tweet 150 RS	2010-2012	SFA264	SFAC264		SFA264HH						60

*-2 Sets Required. † For Vee disc colours add RED, BLU, GRN, GLD, ORG suffix to part number.

⊗ - Also available as a Vintage Motorcycle Disc. ★ - EPFA available. ⚙ - Disc made of Billet steel. ◆ - CE solid discs for Enduro use.

Non-JAPANESE Built Motorcycles

Line #	BRAKE DISC CHOICES - FRONT			DISC PAD CHOICES - REAR				BRAKE DISC CHOICES - REAR					
	SMX Oversize 320mm Disc Kit Front Left	Front disc bolt kit	Front Brake Line	FA, SFA, TT Pad or Brake Shoe	SFAC Carbon Scooter Pads	Speciality Pads - SXR / Vee / MXS	Sintered HH/R Pads/ Grooved Shoes	Standard Replacement Disc	Contour Disc Rear Fitment	Vee Discs CONTOUR	CX Extreme MX Race Disc / UTVX Disc	Rear disc bolt kit	Rear Brake Line
1				SFA067	SFAC067		SFA067HH	MD9167D		VR9167			
2				SFA067	SFAC067		SFA067HH	MD9167D		VR9167			
3				SFA067	SFAC067		SFA067HH	MD9167D		VR9167			
4				857									
5				857									
6				SFA350	SFAC350		SFA350HH	MD978D		VR978			
7				SFA350	SFAC350		SFA350HH	MD978D		VR978			
8				SFA350	SFAC350		SFA350HH	MD978D		VR978			
9				SFA228	SFAC228		SFA228HH						
10				SFA228	SFAC228		SFA228HH						
11				SFA350	SFAC350		SFA350HH						
12				SFA350	SFAC350		SFA350HH						
13				SFA228	SFAC228		SFA228HH						
14				SFA350	SFAC350		SFA350HH						
15				SFA350	SFAC350		SFA350HH	MD978D		VR978			
16				SFA115	SFAC115		SFA115HH	MD9121D					
17				H303									
18				H303									
19				SFA427	SFAC427		SFA427HH						
20				SFA260	SFAC260		SFA260HH	MD9149D					
21				SFA260	SFAC260		SFA260HH						
22													
23													
24				SFA260			SFA260HH						
25				SFA350	SFAC350		SFA350HH	MD978D		VR978			
26				SFA228	SFAC228		SFA228HH	MD978D		VR978			
27				SFA350	SFAC350		SFA350HH	MD978D		VR978			
28				SFA260			SFA260HH						
29				SFA350	SFAC350		SFA350HH	MD978D		VR978			
30				SFA350	SFAC350		SFA350HH	MD978D		VR978			
31				SFA260			SFA260HH						
32				SFA350	SFAC350		SFA350HH	MD978D		VR978			
33				SFA350	SFAC350		SFA350HH	MD978D		VR978			
34				SFA266	SFAC266		SFA266HH						
35				SFA266	SFAC266		SFA266HH	MD9170D		VR9167			
36				SFA266	SFAC266		SFA266HH	MD9170D					
37				SFA266	SFAC266		SFA266HH						
38				SFA083			SFA083HH						
39				SFA083			SFA083HH						
40				SFA083			SFA083HH						
41				Y506									
42				SFA260	SFAC260		SFA260HH	MD9149D					
43				SFA260	SFAC260		SFA260HH						
44				Y506									
45				Y506									
46													
47				FA115			FA115HH						
48				FA115			FA115HH						
49				SFA260	SFAC260		SFA260HH						
50				SFA260	SFAC260		SFA260HH						
51				SFA260	SFAC260		SFA260HH						
52				SFA067	SFAC067		SFA067HH	MD9167D		VR9167			
53				SFA067	SFAC067		SFA067HH	MD9167D		VR9167			
54				SFA266	SFAC266		SFA266HH	MD9170D		VR9170			
55				SFA067	SFAC067		SFA067HH	MD9167D		VR9167			
56				SFA067	SFAC067		SFA067HH	MD9167D		VR9167			
57				SFA260	SFAC260		SFA260HH	MD9149D					
58				SFA260	SFAC260		SFA260HH						
59				Y506									
60				SFA260	SFAC260		SFA260HH						

REAR / ARRIÈRE / HINTEN / POSTERIOR / POSTERIORE

R Suffix = High Durability Sintered Pad. **HH** Suffix = High Performance Sintered Pad. **TT** Suffix = Hard Wearing Off Road Pad. **V** Suffix = Semi Sintered Pad. **G** Suffix = Grooved Shoe.
D Suffix = Drilled Disc. **X** Suffix = Universal Left or Right Disc. **XC** Suffix = Contoured Disc. **LS** Suffix = Left/Steel Disc. **RS** = Right/Steel Disc.

*-2 Sets Required. † For Vee disc colours add RED, BLU, GRN, GLD, ORG suffix to part number.

⊙ - Also available as a Vintage Motorcycle Disc. ★ - EPFA available. ⚙ - Disc made of Billet steel. ♦ - CE solid discs for Enduro use.

Part numbers, prefixes, suffixes, photos and illustrations shown in this catalogue are trademarks and/or copyrights of EBC Brakes or the trademark owner A C Freeman Investments Ltd and use without express written permission of the owners is punishable by law.

Non-JAPANESE Built Motorcycles



PEUGEOT Contd.



DISC PAD CHOICES - FRONT

BRAKE DISC CHOICES - FRONT

R Suffix = High Durability Sintered Pad. **HH** Suffix = High Performance Sintered Pad. **TT** Suffix = Hard Wearing Off Road Pad. **V** Suffix = Semi Sintered Pad. **G** Suffix = Grooved Shoe.
D Suffix = Drilled Disc. **X** Suffix = Universal Left or Right Disc. **XC** Suffix = Contoured Disc. **LS** Suffix = Left/Steel Disc. **RS** = Right/Steel Disc.

FRONT / AVANT / VORN / FRENTE / ANTERIORE

		FA, SFA, TT Pad or Brake Shoe	SFAC Carbon Scooter Pads	Speciality Pads - SXR / Vee / MXS	Sintered/HH Pads/ Grooved Shoes	Standard Replacement Discs	Contour Disc Universal Left and Right	Vee-Discs Black † See note below	CX Extreme Disc / UTVX Disc	OSX Oversize 250mm or 280mm	Line #
Belville 200 Allure	2018-2021	SFA264	SFAC264		SFA264HH						1
Belville 200 RS	2018-2021	SFA264	SFAC264		SFA264HH						2
City Star 200i	2012-2018	SFA228	SFAC228		SFA228HH						3
LXR 200i	2010-2011	SFA264	SFAC264		SFA264HH						4
Geo 250	2007-2011	SFA228	SFAC228		SFA228HH	MD9111D		VR9111			5
Geopolis 250 Executive	2007-2011	SFA194	SFAC194		SFA194HH	MD9111D		VR9111			6
Geopolis 250 Premium	2007-2011	SFA228	SFAC228		SFA228HH	MD9111D		VR9111			7
Geopolis 250 Urban	2007-2011	SFA194	SFAC194		SFA194HH	MD9111D		VR9111			8
Satelis 250 Premium	2007-2012	SFA228	SFAC228		SFA228HH						9
Satelis 250 RS	2007-2012	SFA228	SFAC228		SFA228HH						10
Satelis 250 Urban	2007-2012	SFA194	SFAC194		SFA194HH						11
SV 250	2001-2002	SFA281	SFAC281		SFA281HH	MD922D		VR922			12
Geo RS 300	2010-2012	SFA228	SFAC228		SFA228HH	MD9111D		VR9111			13
Geo RS 400	2008-2012	SFA228	SFAC228		SFA228HH	MD9111D		VR9111			14
Geopolis 300	2010-2015	SFA228	SFAC228		SFA228HH	MD9111D		VR9111			15
Geopolis 300	2010-2012	SFA228	SFAC228		SFA228HH	MD9111D		VR9111			16
Geopolis 300 GT	2014	SFA142*	SFAC142*		SFA142HH*						17
Satelis 2 300	2014-2015	SFA228	SFAC228		SFA228HH						18
Satelis 300	2013	SFA228	SFAC228		SFA228HH						19
Geopolis 400 Premium	2007-2012	SFA228	SFAC228		SFA228HH	MD9111D		VR9111			20
Geopolis 400 Urban	2007-2012	SFA194	SFAC194		SFA194HH	MD9111D		VR9111			21
Metropolis 400 Allure	2017-2021	SFA415*	SFAC415*		SFA415HH*						22
Metropolis 400 Blue Line	2015-2016	SFA650*	SFAC650*		SFA650HH*						23
Metropolis 400 RS	2017-2021	FA410TT*			FA410R*						24
Metropolis 400 RX-R	2017-2021	SFA415*	SFAC415*		SFA415HH*						25
Metropolis 400 T	2014-2016	SFA650*	SFAC650*		SFA650HH*						26
Metropolis 400 T-RS	2014-2016	SFA650*	SFAC650*		SFA650HH*						27
Satelis 400 2 RS	2014-2015	SFA142*	SFAC142*		SFA142HH*						28
Satelis 400 Premium	2008-2011	SFA142*	SFAC142*		SFA142HH*						29
Satelis 400 RS	2008-2012	SFA142*	SFAC142*		SFA142HH*						30
Satelis 400 Urban	2008-2012	SFA142*	SFAC142*		SFA142HH*						31
Satelis 4002	2014-2015	SFA142*	SFAC142*		SFA142HH*						32
Geopolis 500	2008-2011	SFA142*	SFAC142*		SFA142HH*	MD9111D*		VR9111*			33
Satelis 500	2007-2012	SFA142*	SFAC142*		SFA142HH*						34
Satelis 500 RS	2008-2012	SFA142*	SFAC142*		SFA142HH*						35
E-Ludix Electric	2021-2022	SFA115	SFAC115		SFA115HH			VR901			36
E-Powered by GenZe	2018	SFA083	SFAC083								37
E-Vivacity Electric	2010	SFA235	SFAC235								38
E-Vivacity Electric	2011-2015	SFA228	SFAC228		SFA228HH	MD9141D		VR9141			39
											40
											41
PGO											42
Big Max 50	2007-2009	SFA264	SFAC264		SFA264HH						43
Big Max 50 R	1994-2006	SFA169	SFAC169		SFA169HH	MD904D		VR904			44
Big Max 50 R	2007-2009	SFA264	SFAC264		SFA264HH						45
Big Max 50 S	2003-2004	SFA264	SFAC264		SFA264HH						46
Bugrider 50 Buggie	2006	FA416TT*			FA416R*						47
Galaxy 50	1994	SFA083	SFAC083		SFA083HH	MD939D					48
G-Max 50	2005-2007	SFA264	SFAC264		SFA264HH						49
G-Max 50	2008-2012	SFA264	SFAC264		SFA264HH						50
G-Max 50	2009	SFA264	SFAC264		SFA264HH						51
Libra 50	2009	SFA264	SFAC264		SFA264HH						52
Ligero 50	2008-2012	SFA264	SFAC264		SFA264HH						53
Mega 50	1994	SFA083	SFAC083		SFA083HH						54
My Bubu 50	2003	SFA193	SFAC193		SFA193HH	MD904D		VR904			55
PMX 50	2000-2022	SFA264	SFAC264		SFA264HH	MD923D		VR923			56
Rodo Show 50	2000-2009	SFA193	SFAC193		SFA193HH						57
Tornado 50/125	1997	SFA169	SFAC169		SFA169HH	MD904D		VR904			58
T-Rex 50	1999-2012	SFA264	SFAC264		SFA264HH	MD923D		VR923			59
X Rider 50/90/110	2004-2005										60
XL-Rider 50	2007-2008										60

*-2 Sets Required. † For Vee disc colours add RED, BLU, GRN, GLD, ORG suffix to part number.

⊗ - Also available as a Vintage Motorcycle Disc. ★ - EPFA available. ⚙ - Disc made of Billet steel. ♦ - CE solid discs for Enduro use.

Non-JAPANESE Built Motorcycles

Line #	BRAKE DISC CHOICES - FRONT			DISC PAD CHOICES - REAR				BRAKE DISC CHOICES - REAR					
	SMX Oversize 320mm Disc Kit Front Left	Front disc bolt kit	Front Brake Line	FA, SFA, TT Pad or Brake Shoe	SFAC Carbon Scooter Pads	Speciality Pads - SXR / Vee / MXS	Sintered HH/R Pads/ Grooved Shoes	Standard Replacement Disc	Contour Disc Rear Fitment	Vee Discs CONTOUR	CX Extreme MX Race Disc / UTVX Disc	Rear disc bolt kit	Rear Brake Line
1				SFA260	SFAC260		SFA260HH						
2				SFA260	SFAC260		SFA260HH						
3				SFA260	SFAC260		SFA260HH						
4				SFA427	SFAC427		SFA427HH						
5				SFA228	SFAC228		SFA228HH						
6				SFA350	SFAC350		SFA350HH						
7				SFA228	SFAC228		SFA228HH						
8				SFA350	SFAC350		SFA350HH						
9				SFA228	SFAC228		SFA228HH						
10				SFA228	SFAC228		SFA228HH						
11				SFA350	SFAC350		SFA350HH						
12				SFA140			SFA140HH	MD1004		VR1004			
13				SFA228	SFAC228		SFA228HH						
14				SFA228	SFAC228		SFA228HH						
15				SFA228	SFAC228		SFA228HH						
16				SFA228	SFAC228		SFA228HH						
17				SFA228	SFAC228		SFA228HH						
18				SFA228	SFAC228		SFA228HH						
19				SFA228	SFAC228		SFA228HH						
20				SFA228	SFAC228		SFA228HH						
21				SFA350	SFAC350		SFA350HH						
22				SFA228	SFAC228		SFA228HH	MD1156					
23				SFA650	SFAC650		SFA650HH						
24				SFA228	SFAC228		SFA228HH	MD1156					
25				SFA228	SFAC228		SFA228HH	MD1156					
26				SFA650	SFAC650		SFA650HH						
27				SFA650	SFAC650		SFA650HH						
28				SFA228	SFAC228		SFA228HH						
29				SFA228	SFAC228		SFA228HH						
30				SFA228	SFAC228		SFA228HH						
31				SFA228	SFAC228		SFA228HH						
32				SFA228	SFAC228		SFA228HH						
33				SFA228	SFAC228		SFA228HH						
34				SFA228	SFAC228		SFA228HH						
35				SFA228	SFAC228		SFA228HH						
36				H303									
37				SFA083	SFAC083								
38				H303									
39				H353									
40													
41													
42				897									
43				897									
44				897									
45				897									
46				FA054TT			FA054R						
47				897									
48				897									
49				897									
50				897									
51													
52				897									
53				897									
54				Y503									
55				897									
56				897									
57				897									
58				897									
59				FA083TT			FA083R						
60				FA083TT			FA083R						

REAR / ARRIÈRE / HINTEN / POSTERIOR / POSTERIORE

R Suffix = High Durability Sintered Pad. **HH** Suffix = High Performance Sintered Pad. **TT** Suffix = Hard Wearing Off Road Pad. **V** Suffix = Semi Sintered Pad. **G** Suffix = Grooved Shoe.
D Suffix = Drilled Disc. **X** Suffix = Universal Left or Right Disc. **XC** Suffix = Contoured Disc. **LS** Suffix = Left/Steel Disc. **RS** = Right/Steel Disc.

BRAKE APPLICATIONS

*-2 Sets Required. † For Vee disc colours add RED, BLU, GRN, GLD, ORG suffix to part number.

⊙ - Also available as a Vintage Motorcycle Disc. ★ - EPFA available. Ⓢ Disc made of Billet steel. ◆ CE solid discs for Enduro use.

Part numbers, prefixes, suffixes, photos and illustrations shown in this catalogue are trademarks and/or copyrights of EBC Brakes or the trademark owner A C Freeman Investments Ltd and use without express written permission of the owners is punishable by law.

Non-JAPANESE Built Motorcycles



PGO Contd.



DISC PAD CHOICES - FRONT

BRAKE DISC CHOICES - FRONT

R Suffix = High Durability Sintered Pad. HH Suffix = High Performance Sintered Pad. TT Suffix = Hard Wearing Off Road Pad. V Suffix = Semi Sintered Pad. G Suffix = Grooved Shoe.

D Suffix = Drilled Disc. X Suffix = Universal Left or Right Disc. XC Suffix = Contoured Disc. LS Suffix = Left/Steel Disc. RS = Right/Steel Disc.

FRONT / AVANT / VORN / FRENTE / ANTERIORE

Model	Year	FA, SFA, TT Pad or Brake Shoe	SFAC Carbon Scooter Pads	Speciality Pads - SXR / Vee / MXS	Sintered/HH Pads/ Grooved Shoes	Standard Replacement Discs	Contour Disc Universal Left and Right	Vee-Discs Black † See note below	CX Extreme Disc / UTVX Disc	OSX Oversize 250mm or 280mm	Line #
XL-Rider 50	2007-2008										1
My Bubu 100/125	2003-2008	SFA264	SFAC264		SFA264HH						2
PMX 110	2000-2022	SFA264	SFAC264		SFA264HH	MD923D		VR923			3
T-Rex 110	1999-2006	SFA264	SFAC264		SFA264HH	MD923D		VR923			4
Bubu 100/125	2003-2008	SFA264	SFAC264		SFA264HH	MD923D		VR923			5
Charge A/B 125	2001-2002	SFA264	SFAC264		SFA264HH	MD923D		VR923			6
G-Max 125	2006-2008	FA095			FA095HH★						7
G-Max 125	2009-2012	FA095			FA095HH★						8
I Bubu 125	2003-2022	SFA264	SFAC264								9
i-Charge 125	2003-2005	SFA264	SFAC264		SFA264HH						10
i-Me 125	2010-2022	SFA264	SFAC264								11
Libra EFI 125	2009-2012	SFA264	SFAC264		SFA264HH						12
Ligero 125	2006-2008	SFA264	SFAC264		SFA264HH	MD923D		VR923			13
Ligero 125	2008-2012	SFA264	SFAC264		SFA264HH						14
Tigra 125	2012	SFA264	SFAC264		SFA264HH			VR9160			15
Tigra 125	2022	FA095	SFAC264		FA095HH★						16
Tigra 125 SE	2022	FA095	SFAC264		FA095HH★						17
T-Rex 125	1999-2007	SFA264	SFAC264		SFA264HH	MD923D		VR923			18
T-Rex 125	2008-2012	SFA264	SFAC264		SFA264HH						19
X-Hot 125	2010-2014	SFA264	SFAC264		SFA264HH						20
Bugrider 150	2005	FA416TT*			FA416R*						21
Bugxter BR 150 A	2005-2007	FA416TT*			FA416R*						22
G-Max 150	2015-2022	FA095			FA095HH★						23
Libra 150	2009	SFA264	SFAC264		SFA264HH						24
TR-3 150 - 3 wheeler	2003-2009	SFA264	SFAC264		SFA264HH						25
T-Rex 150	2015-2022	SFA264	SFAC264								26
X Hot 150	2010-2022	SFA264									27
X Rider 150	2004-2005	H338*			H338G*						28
BR-200 Bug-Rider	2007-2012	FA416TT*			FA416R*						29
250 Bug	2005	FA416TT*			FA416R*						30
250 SS Bugrider E	2005	FA416TT			FA416R						31
250 SS Bugrider E	2009	FA416TT			FA416R						32
BR-250 Bugrider E	2005-2012	FA416TT*			FA416R*						33
G-Max 250	2006-2008	FA095			FA095HH★						34
BR 500i Racer	2007-2009	FA484TT*			FA484R*						35
BR 500i Racer	2012	FA484TT*			FA484R*						36
Bug 500	2008-2009	FA484TT*			FA484R*						37
T-Rex 50 3	2003-2004	SFA264	SFAC264		SFA264HH						38
EPS	1997	SFA169	SFAC169		SFA169HH	MD904D		VR904			39
idep Electric Scooter Electric	2009	SFA264	SFAC264		SFA264HH						40
											41
											42
PHB											43
500	1992	FA132			FA132R						44
560	1992	FA067			FA067R						45
											46
PIAGGIO											47
Piaggio 1 Electric EV	2022-2024	SFA693	SFAC693			MD9165D					48
Boss 50	1988-1989	909									49
Bravo 3	1987-1990	909									50
Bravo 50	1973-1981	909									51
Bravo 50	1973-1981										52
Ciao 50 Catalitico	1999-2005	909									53
Ciao All models	1971-1999	909									54
Ciao Mix Teen 50	1996-2001	808									55
Diesis 50	2001-2005	SFA115	SFAC115		SFA115HH	MD943D	MD943C	VR943			56
Fly 50	2005-2018	SFA353	SFAC353		SFA353HH	MD910D		VR910			57
Fly 50	2005-2018	SFA353	SFAC353		SFA353HH	MD910D		VR910			58
Free 50	1992-2000	908									59
Free 50	1995-2000	SFA116				MD910D		VR910			60
Free 50	2002	SFA193	SFAC193		SFA193HH	MD910D		VR910			61

*-2 Sets Required. † For Vee disc colours add RED, BLU, GRN, GLD, ORG suffix to part number.

⊗ - Also available as a Vintage Motorcycle Disc. ★ - EPFA available. ⚙ - Disc made of Billet steel. ♦ - CE solid discs for Enduro use.

Non-JAPANESE Built Motorcycles

Line #	BRAKE DISC CHOICES - FRONT			DISC PAD CHOICES - REAR				BRAKE DISC CHOICES - REAR					
	SMX Oversize 320mm Disc Kit Front Left	Front disc bolt kit	Front Brake Line	FA, SFA, TT Pad or Brake Shoe	SFAC Carbon Scooter Pads	Speciality Pads - SXR / Vee / MXS	Sintered HH/R Pads/ Grooved Shoes	Standard Replacement Disc	Contour Disc Rear Fitment	Vee Discs CONTOUR	CX Extreme MX Race Disc / UTVX Disc	Rear disc bolt kit	Rear Brake Line
1				FA083TT			FA083R						
2				S602									
3				897									
4				897									
5				S602									
6				S624									
7				FA197			FA197HH★						
8				FA197			FA197HH★						
9				H302									
10				S602									
11				H302									
12													
13				S624									
14				S624									
15				SFA260			SFA260HH			VR9161			
16				SFA266									
17				SFA266									
18				S602									
19				S602									
20				H302									
21				FA054TT			FA054R						
22				FA054TT			FA054R						
23				FA047									
24													
25													
26				H302									
27				FA047									
28				FA083TT			FA083R						
29				FA431TT			FA431R						
30				FA431TT			FA431R						
31				FA054TT			FA054R						
32				FA054TT			FA054R						
33				FA431TT			FA431R						
34				SFA197			SFA197HH						
35				FA377TT*			FA377R*						
36				FA377TT*			FA377R*						
37				FA377TT									
38													
39				897									
40				SFA264	SFAC264								
41													
42													
43				FA067			FA067R						
44				FA067			FA067R						
45													
46													
47				SFA655									
48				V907									
49													
50				V907									
51				V907									
52				V907									
53				V907									
54				V907									
55				899									
56				816									
57				816									
58				806									
59				806									
60				899									

REAR / ARRIÈRE / HINTEN / POSTERIOR / POSTERIORE

R Suffix = High Durability Sintered Pad. **HH** Suffix = High Performance Sintered Pad. **TT** Suffix = Hard Wearing Off Road Pad. **V** Suffix = Semi Sintered Pad. **G** Suffix = Grooved Shoe.
D Suffix = Drilled Disc. **X** Suffix = Universal Left or Right Disc. **XC** Suffix = Contoured Disc. **LS** Suffix = Left/Steel Disc. **RS** = Right/Steel Disc.

*-2 Sets Required. † For Vee disc colours add RED, BLU, GRN, GLD, ORG suffix to part number.

⊙ - Also available as a Vintage Motorcycle Disc. ★ - EPFA available. ⚙ Disc made of Billet steel. ♦ CE solid discs for Enduro use.

Part numbers, prefixes, suffixes, photos and illustrations shown in this catalogue are trademarks and/or copyrights of EBC Brakes or the trademark owner A C Freeman Investments Ltd and use without express written permission of the owners is punishable by law.

Non-JAPANESE Built Motorcycles



PIAGGIO Contd.



DISC PAD CHOICES - FRONT

BRAKE DISC CHOICES - FRONT

R Suffix = High Durability Sintered Pad. HH Suffix = High Performance Sintered Pad. TT Suffix = Hard Wearing Off Road Pad. V Suffix = Semi Sintered Pad. G Suffix = Grooved Shoe.
D Suffix = Drilled Disc. X Suffix = Universal Left or Right Disc. XC Suffix = Contoured Disc. LS Suffix = Left/Steel Disc. RS = Right/Steel Disc.

FRONT / AVANT / VORN / FRENTE / ANTERIORE

		FA, SFA, TT Pad or Brake Shoe	SFAC Carbon Scooter Pads	Speciality Pads - SXR / Vee / MXS	Sintered/HH Pads/ Grooved Shoes	Standard Replacement Discs	Contour Disc Universal Left and Right	Vee-Discs Black † See note below	CX Extreme Disc / UTVX Disc	OSX Oversize 250mm or 280mm	Line #
Free 50 Delivery	2000-2001	SFA116				MD910D		VR910			1
Grillo 50	1989-1993	909									2
Liberty 50	1997-2008	SFA260	SFAC260		SFA260HH	MD956D		VR956			3
Liberty 50	1997-2008	SFA260	SFAC260		SFA260HH	MD956D		VR956			4
Liberty 50	2000-2008	SFA260	SFAC260		SFA260HH	MD956D		VR956			5
Liberty 50	2000-2008	SFA260	SFAC260		SFA260HH	MD956D		VR956			6
Liberty 50	2009-2014	SFA353	SFAC353		SFA353HH	MD959D		VR959			7
Liberty 50	2009-2014	SFA353	SFAC353		SFA353HH	MD959D		VR959			8
Liberty 50 i-get	2015-2024	SFA693	SFAC693		SFA693HH	MD9165D					9
Liberty 50 S	2007-2008	SFA260	SFAC260		SFA260HH	MD956D		VR956			10
Liberty 50 S	2007-2008	SFA260	SFAC260		SFA260HH	MD956D		VR956			11
New Fly 50 4V	2012-2013	SFA353	SFAC353		SFA353HH	MD9151D		VR9151			12
NRG 50	1994-1996	SFA193	SFAC193		SFA193HH	MD943D	MD943C	VR943			13
NRG 50 DT MC3	2001-2005	SFA193	SFAC193		SFA193HH	MD924D		VR924			14
NRG 50 Extreme	1999-2001	SFA193	SFAC193		SFA193HH	MD924D		VR924			15
NRG 50 Extreme	1999-2001	SFA193	SFAC193		SFA193HH	MD924D		VR924			16
NRG 50 MC3 DD	2001-2005	SFA193	SFAC193		SFA193HH	MD924D		VR924			17
NRG 50 Power DD	2005-2021	SFA083/2			SFA083/2HH	MD956D		VR956			18
NRG 50 Power DT	2005-2013	SFA083/2			SFA083/2HH	MD956D		VR956			19
NRG 50 Power Pure Jet	2004-2010	SFA083/2			SFA083/2HH	MD956D		VR956			20
NRG 50 RST DT/DD MC2	1996-1997	SFA193	SFAC193		SFA193HH	MD943D	MD943C	VR943			21
NRG 50 RST DT/DD MC2	1998	SFA193	SFAC193		SFA193HH	MD943D	MD943C	VR943			22
NRG 50 RST DT/DD MC2	1998	SFA193	SFAC193		SFA193HH	MD943D	MD943C	VR943			23
NRG 50 Silver Bullet	2010	SFA083/2			SFA083/2HH	MD956D		VR956			24
NTT 50	1995-1996	SFA193	SFAC193		SFA193HH	MD943D	MD943C	VR943			25
Quartz 50	1992-1996	SFA186	SFAC186			MD902D		VR902			26
Sfera 50 Base	1991-1993	885									27
Sfera 50 Maquillage 2	1994	885									28
Sfera 50 RST	1995-1997	SFA255				MD910D		VR910			29
Si 50	1979-1988	909									30
Si 50	1979-1988										31
Si 50	1991-1997	909									32
Superbravo 50	1985-1990	896									33
Typhoon 50	1994-1997	SFA193	SFAC193		SFA193HH	MD9126D					34
Typhoon 50	2000-2004	SFA193	SFAC193		SFA193HH	MD9126D					35
Typhoon 50	2001-2009	SFA193	SFAC193		SFA193HH	MD9126D					36
Typhoon 50	2010-2016	SFA353	SFAC353		SFA353HH	MD9151D		VR9151			37
Typhoon 50 Euro 4	2016-2021	SFA732									38
Typhoon 50 X	1998-1999	SFA193	SFAC193		SFA193HH	MD9126D					39
Typhoon 50 XR	2000	SFA193	SFAC193		SFA193HH	MD9126D					40
Velofax 50	1996-1999	899									41
Zip & Zip 50 Bimodale	1994-1997	896									42
Zip 50	2000-2009	SFA260	SFAC260		SFA260HH	MD932D		VR932			43
Zip 50	2000-2015	SFA260	SFAC260		SFA260HH	MD932D		VR932			44
Zip 50	2000-2024	SFA260	SFAC260		SFA260HH	MD932D		VR932			45
Zip 50 50 Base	1995-1996	SFA193	SFAC193		SFA193HH	MD904D		VR904			46
Zip 50 Base	1992-1996	909									47
Zip 50 RST	1996-1999	808									48
Zip 50 RST	1996-1999	SFA260	SFAC260		SFA260HH	MD904D		VR904			49
Zip 50 SP	1996-2012	SFA260	SFAC260		SFA260HH	MD910D		VR910			50
Zip 50 SP	2013-2015	SFA260	SFAC260		SFA260HH	MD932D		VR932			51
Zip Fast Rider 50	1993-1997	SFA193	SFAC193		SFA193HH	MD904D		VR904			52
SKR 80 City	1999	885									53
Diesis 100	2001-2003	SFA115	SFAC115		SFA115HH	MD943D	MD943C	VR943			54
Fly 100	2007-2015	SFA353	SFAC353		SFA353HH	MD910D		VR910			55
Free 100	2002	SFA193	SFAC193		SFA193HH	MD910D		VR910			56
Zip 100	2006-2010	SFA260	SFAC260		SFA260HH	MD932D		VR932			57
Beverly 125	2007	SFA353	SFAC353		SFA353HH	MD961D		VR961			58
Beverly 125	2011-2014	SFA353	SFAC353		SFA353HH	MD9172D		VR9172			59
Beverly 125 ie S	2014-2015	SFA353	SFAC353		SFA353HH	MD9172D		VR9172			60

*-2 Sets Required. † For Vee disc colours add RED, BLU, GRN, GLD, ORG suffix to part number.

⊗ - Also available as a Vintage Motorcycle Disc. ★ - EPFA available. ⚙ - Disc made of Billet steel. ♦ - CE solid discs for Enduro use.

Non-JAPANESE Built Motorcycles

Line #	BRAKE DISC CHOICES - FRONT			DISC PAD CHOICES - REAR				BRAKE DISC CHOICES - REAR					
	SMX Oversize 320mm Disc Kit Front Left	Front disc bolt kit	Front Brake Line	FA, SFA, TT Pad or Brake Shoe	SFAC Carbon Scooter Pads	Speciality Pads - SXR / Vee / MXS	Sintered HH/R Pads/ Grooved Shoes	Standard Replacement Disc	Contour Disc Rear Fitment	Vee Discs CONTOUR	CX Extreme MX Race Disc / UTVX Disc	Rear disc bolt kit	Rear Brake Line
1				899									
2				V907									
3				816									
4				816									
5				816									
6				816									
7				816									
8				816									
9				816									
10				816									
11				816									
12				816									
13				806									
14				899									
15				899									
16				SFA260	SFAC260		SFA260HH	MD932D		VR932			
17				SFA260	SFAC260		SFA260HH	MD932D		VR932			
18				SFA260			SFA260HH	MD932D		VR932			
19				899									
20				SFA260			SFA260HH	MD932D		VR932			
21				806									
22				899									
23				SFA260	SFAC260		SFA260HH	MD932D		VR932			
24				SFA260			SFA260HH	MD932D		VR932			
25				806									
26				886									
27				806									
28				806									
29				806									
30				V907									
31				V907									
32				V907									
33				V907									
34				806									
35				899									
36				899									
37				816									
38													
39				806									
40				899									
41				809									
42				806									
43				899									
44				899									
45				899									
46				806									
47				806									
48				899									
49				899									
50				899									
51				899									
52				806									
53				806									
54				S624									
55				816									
56				816									
57				899									
58								MD961D		VR961			
59				SFA418	SFAC418		SFA418HH	MD9155D		VR9155			
60				SFA418	SFAC418		SFA418HH	MD9155D		VR9155			

REAR / ARRIÈRE / HINTEN / POSTERIOR / POSTERIORE

R Suffix = High Durability Sintered Pad. **HH** Suffix = High Performance Sintered Pad. **TT** Suffix = Hard Wearing Off Road Pad. **V** Suffix = Semi Sintered Pad. **G** Suffix = Grooved Shoe.
D Suffix = Drilled Disc. **X** Suffix = Universal Left or Right Disc. **XC** Suffix = Contoured Disc. **LS** Suffix = Left/Steel Disc. **RS** = Right/Steel Disc.

BRAKE APPLICATIONS

*-2 Sets Required. † For Vee disc colours add RED, BLU, GRN, GLD, ORG suffix to part number.

⊙ - Also available as a Vintage Motorcycle Disc. ★ - EPFA available. ⊕ Disc made of Billet steel. ◆ CE solid discs for Enduro use.

Part numbers, prefixes, suffixes, photos and illustrations shown in this catalogue are trademarks and/or copyrights of EBC Brakes or the trademark owner A C Freeman Investments Ltd and use without express written permission of the owners is punishable by law.

Non-JAPANESE Built Motorcycles



PIAGGIO Contd.



DISC PAD CHOICES - FRONT

BRAKE DISC CHOICES - FRONT

R Suffix = High Durability Sintered Pad. **HH** Suffix = High Performance Sintered Pad. **TT** Suffix = Hard Wearing Off Road Pad. **V** Suffix = Semi Sintered Pad. **G** Suffix = Grooved Shoe.
D Suffix = Drilled Disc. **X** Suffix = Universal Left or Right Disc. **XC** Suffix = Contoured Disc. **LS** Suffix = Left/Steel Disc. **RS** = Right/Steel Disc.

FRONT / AVANT / VORN / FRENTE / ANTERIORE

		FA, SFA, TT Pad or Brake Shoe	SFAC Carbon Scooter Pads	Speciality Pads - SXR / Vee / MXS	Sintered/HH Pads/ Grooved Shoes	Standard Replacement Discs	Contour Disc Universal Left and Right	Vee-Discs Black † See note below	CX Extreme Disc / UTVX Disc	OSX Oversize 250mm or 280mm	Line #
Beverly 125 S	2007	SFA353	SFAC353		SFA353HH	MD961D		VR961			1
Beverly 125 Tourer	2008-2009	SFA353	SFAC353		SFA353HH	MD961D		VR961			2
Carnaby 125	2007-2009	SFA353	SFAC353		SFA353HH	MD961D		VR961			3
Cosa 2 125	1991-1997	882									4
Cosa CL/CLX 125/200	1988-1991	882									5
Fly 125	2005-2011	SFA353	SFAC353		SFA353HH	MD910D		VR910			6
Fly 125 - 3V	2012-2015	SFA353	SFAC353		SFA353HH	MD9151D		VR9151			7
Fly 125i	2012-2015	SFA353	SFAC353		SFA353HH	MD9151D		VR9151			8
GTR VNL2 125	1974	V901									9
Hexagon 125/150	1994-1997	SFA193	SFAC193		SFA193HH	MD905D					10
Hexagon LX4 125	1998-1999	SFA194	SFAC194		SFA194HH	MD910D		VR910			11
Liberty 125	1998-2008	SFA260	SFAC260		SFA260HH	MD956D		VR956			12
Liberty 125	2009-2012	SFA260	SFAC260		SFA260HH						13
Liberty 125	2013-2015	SFA260	SFAC260		SFA260HH						14
Liberty 125	2013-2015	SFA260	SFAC260		SFA260HH						15
Liberty 125 i-get	2015-2024	SFA693	SFAC693		SFA693HH	MD9165D					16
Liberty 125 S	2007-2008	SFA260	SFAC260		SFA260HH	MD956D		VR956			17
Liberty MyMoover 125	2021	SFA353	SFAC353		SFA353HH			VR956			18
Medley 125	2016-2019	SFA693	SFAC693		SFA693HH	MD9146D					19
Medley 125	2020-2024	SFA693	SFAC693		SFA693HH	MD9179D					20
Medley 125 S	2016-2024	SFA693	SFAC693		SFA693HH	MD9179D					21
MP3 125	2006-2008	SFA260*	SFAC260*		SFA260HH*	MD9112D*		VR9112*		MD9175D	22
MP3 125	2009-2012	SFA260*	SFAC260*		SFA260HH*	MD9112D*		VR9112*		MD9175D	23
MP3 125ie	2008-2011	SFA260*	SFAC260*		SFA260HH*	MD9112D*		VR9112*		MD9175D	24
MP3 Yourban 125ie	2011-2012	SFA260*	SFAC260*		SFA260HH*	MD9112D*		VR9112*		MD9175D	25
New Fly 125ie 3V	2012-2013	SFA353	SFAC353		SFA353HH	MD9151D		VR9151			26
Sfera 125	1995-1997	SFA255				MD910D		VR910			27
Skipper 125/150	1994-1997	SFA186	SFAC186			MD902D		VR902			28
Skipper 125/150 ST	2000-2004	SFA194	SFAC194		SFA194HH	MD924D		VR924			29
Skipper 125/150 ST	2000-2004	SFA353	SFAC353		SFA353HH	MD924D		VR924			30
Skipper LX 125/150	1998-1999	SFA194	SFAC194		SFA194HH	MD924D		VR924			31
Super Hexagon GTX 125/180	2000	SFA194	SFAC194		SFA194HH	MD910D		VR910			32
Super Hexagon GTX 125/180	2000	SFA353	SFAC353		SFA353HH	MD910D		VR910			33
Super Hexagon GTX 125/180	2001-2003	SFA353	SFAC353		SFA353HH	MD960D		VR960			34
Typhoon 125	2010-2015	SFA353	SFAC353		SFA353HH	MD9151D		VR9151			35
Typhoon 125	1999-2003	SFA193	SFAC193		SFA193HH	MD9126D					36
X10 125 4V/EFI/All Models	Left Right 2012-2015	SFAC353			SFA353HH						37
		SFA418	SFAC418		SFA418HH						38
X7 125	2008-2009	SFA353	SFAC353		SFA353HH	MD983D		VR983			39
X7 Evo 125 ie EFI	2009-2012	SFA353	SFAC353		SFA353HH	MD983D		VR983			40
X8 125	2004-2005	SFA353	SFAC353		SFA353HH	MD983D		VR983			41
X8 125	2005-2006	SFA353	SFAC353		SFA353HH	MD983D		VR983			42
X8 125	2007	SFA353	SFAC353		SFA353HH	MD961D		VR961			43
X8 Street 125	2006-2007	SFA353	SFAC353		SFA353HH	MD961D		VR961			44
X9 125	2000-2002	SFA266*	SFAC266*		SFA266HH*	MD959D*		VR959*			45
X9 125 Evolution	2003-2004	SFA266*	SFAC266*		SFA266HH*	MD959D*		VR959*			46
X9 125 Evolution	2005-2007		SFAC353		SFA353HH	MD959D*		VR959*			47
X9 125 Evolution	2005-2007	SFA418	SFAC418		SFA418HH	MD959D*		VR959*			48
Xevo 125	2007-2016	SFA353	SFAC353		SFA353HH	MD983D		VR983			49
Zip 125	2000-2001	SFA260	SFAC260		SFA260HH	MD910D		VR910			50
Zip 125	2002-2004	SFA260	SFAC260		SFA260HH	MD932D		VR932			51
Cosa 2 150	1991-1997	882									52
Cosa CL/CLX 150	1988-1991	882									53
Fly 150	2005-2012	SFA353	SFAC353		SFA353HH	MD910D		VR910			54
Liberty 150	2008	SFA260	SFAC260		SFA260HH	MD956D					55
Liberty 150	2009-2012	SFA260	SFAC260		SFA260HH						56
Liberty 150	2013-2015	SFA260	SFAC260		SFA260HH						57
Liberty 150	2013-2015	SFA260	SFAC260		SFA260HH						58
Liberty 150 i-get	2015-2021	SFA693	SFAC693		SFA693HH	MD9165D					59
Medley 150	2016-2019	SFA693	SFAC693		SFA693HH						60

*-2 Sets Required. † For Vee disc colours add RED, BLU, GRN, GLD, ORG suffix to part number.

⊗ - Also available as a Vintage Motorcycle Disc. ★ - EPFA available. ⚙ - Disc made of Billet steel. ♦ - CE solid discs for Enduro use.

Non-JAPANESE Built Motorcycles

Line #	BRAKE DISC CHOICES - FRONT			DISC PAD CHOICES - REAR				BRAKE DISC CHOICES - REAR					
	SMX Oversize 320mm Disc Kit Front Left	Front disc bolt kit	Front Brake Line	FA, SFA, TT Pad or Brake Shoe	SFAC Carbon Scooter Pads	Speciality Pads - SXR / Vee / MXS	Sintered HH/R Pads/ Grooved Shoes	Standard Replacement Disc	Contour Disc Rear Fitment	Vee Discs CONTOUR	CX Extreme MX Race Disc / UTVX Disc	Rear disc bolt kit	Rear Brake Line
1				SFA353	SFAC353		SFA353HH	MD961D		VR961			
2				SFA353	SFAC353		SFA353HH	MD961D		VR961			
3				SFA353	SFAC353		SFA353HH	MD961D		VR961			
4				881									
5				881									
6				816									
7				SFA321	SFAC321		SFA321HH	MD956D		VR956			
8				816									
9				V903									
10				899									
11				816									
12				816									
13				816									
14				816									
15				816									
16				816									
17				816									
18				SFA321*	SFAC321*		SFA321HH*						
19				SFA418	SFAC418		SFA418HH	MD9164D		VR9164			
20				SFA418	SFAC418		SFA418HH	MD9178D		VR9164			
21				SFA418	SFAC418		SFA418HH	MD9164D		VR9164			
22				SFA425	SFAC425		SFA425HH	MD960D		VR960			
23				SFA418	SFAC418		SFA418HH	MD960D		VR960			
24				SFA418	SFAC418		SFA418HH	MD960D		VR960			
25				SFA418	SFAC418		SFA418HH	MD960D		VR960			
26				SFA321	SFAC321		SFA321HH	MD956D					
27				899									
28				899									
29				816									
30				816									
31				816									
32				SFA321	SFAC321		SFA321HH	MD910D		VR910			
33				SFA321	SFAC321		SFA321HH	MD910D		VR910			
34				SFA321	SFAC321		SFA321HH	MD956D		VR956			
35				816									
36				899									
37								MD959D					
38				SFA418	SFAC418		SFA418HH						
39				SFA418	SFAC418		SFA418HH	MD960D		VR960			
40				SFA418	SFAC418		SFA418HH	MD960D		VR960			
41				SFA266	SFAC266		SFA266HH	MD960D		VR960			
42				SFA425	SFAC425		SFA425HH	MD960D		VR960			
43				SFA425	SFAC425		SFA425HH	MD960D		VR960			
44				816									
45				SFA266	SFAC266		SFA266HH	MD959D		VR959			
46				SFA266	SFAC266		SFA266HH	MD959D		VR959			
47				SFA266	SFAC266		SFA266HH	MD959D		VR959			
48				SFA266	SFAC266		SFA266HH	MD959D		VR959			
49				SFA418	SFAC418		SFA418HH	MD960D		VR960			
50				899									
51				899									
52				881									
53				881									
54				816									
55				816									
56				816									
57				816									
58				816									
59				816									
60				SFA418	SFAC418		SFA418HH	MD9164D		VR9164			

REAR / ARRIÈRE / HINTEN / POSTERIOR / POSTERIORE

R Suffix = High Durability Sintered Pad. **HH** Suffix = High Performance Sintered Pad. **TT** Suffix = Hard Wearing Off Road Pad. **V** Suffix = Semi Sintered Pad. **G** Suffix = Grooved Shoe.
D Suffix = Drilled Disc. **X** Suffix = Universal Left or Right Disc. **XC** Suffix = Contoured Disc. **LS** Suffix = Left/Steel Disc. **RS** = Right/Steel Disc.

BRAKE APPLICATIONS

*-2 Sets Required. † For Vee disc colours add RED, BLU, GRN, GLD, ORG suffix to part number.

⊙ - Also available as a Vintage Motorcycle Disc. ★ - EPFA available. ⚙ Disc made of Billet steel. ♦ CE solid discs for Enduro use.

Part numbers, prefixes, suffixes, photos and illustrations shown in this catalogue are trademarks and/or copyrights of EBC Brakes or the trademark owner A C Freeman Investments Ltd and use without express written permission of the owners is punishable by law.

Non-JAPANESE Built Motorcycles



PIAGGIO Contd.



DISC PAD CHOICES - FRONT

BRAKE DISC CHOICES - FRONT

R Suffix = High Durability Sintered Pad. **HH** Suffix = High Performance Sintered Pad. **TT** Suffix = Hard Wearing Off Road Pad. **V** Suffix = Semi Sintered Pad. **G** Suffix = Grooved Shoe.

D Suffix = Drilled Disc. **X** Suffix = Universal Left or Right Disc. **XC** Suffix = Contoured Disc. **LS** Suffix = Left/Steel Disc. **RS** = Right/Steel Disc.

FRONT / AVANT / VORN / FRENTE / ANTERIORE

		FA, SFA, TT Pad or Brake Shoe	SFAC Carbon Scooter Pads	Speciality Pads - SXR / Vee / MXS	Sintered/HH Pads/ Grooved Shoes	Standard Replacement Discs	Contour Disc Universal Left and Right	Vee-Discs Black † See note below	CX Extreme Disc / UTVX Disc	OSX Oversize 250mm or 280mm	Line #
Medley 150 S	2016-2019	SFA693	SFAC693		SFA693HH						1
Medley 150 S	2020-2021	SFA693	SFAC693		SFA693HH	MD9179D					2
X8 Street 150	2006-2008	SFA353	SFAC353		SFA353HH	MD961D		VR961			3
Hexagon 180 LX	1998-1999	SFA194	SFAC194		SFA194HH	MD910D		VR910			4
Hexagon 180 LXT	1998-1999	SFA194	SFAC194		SFA194HH	MD910D		VR910			5
X9 Amalfi 180	2000-2003	SFA266*	SFAC266*		SFA266HH*	MD959D*		VR959*			6
Beverly B 125/200	2002-2006	SFA353	SFAC353		SFA353HH	MD961D		VR961			7
Beverly B 125/200	2002-2006	SFA194	SFAC194		SFA194HH	MD961D		VR961			8
Carnaby 200	2007-2009	SFA353	SFAC353		SFA353HH	MD961D		VR961			9
Cosa 2 200	1991-1997	882									10
Cosa CL/CLX 200	1988-1991	882									11
Liberty 200	1998-2007	SFA260	SFAC260		SFA260HH	MD956D		VR956			12
Liberty 200 S	2007-2008	SFA260	SFAC260		SFA260HH	MD956D		VR956			13
Rally 200 VSE1	1974	V901									14
X8 200	2004-2005	SFA353	SFAC353		SFA353HH	MD983D		VR983			15
X8 200	2004-2005	SFA353	SFAC353		SFA353HH	MD983D		VR983			16
X9 200	2002-2003	SFA266*	SFAC266*		SFA266HH*	MD959D*		VR959*			17
X9 200 Evolution	2003-2004	SFA266*	SFAC266*		SFA266HH*	MD959D*		VR959*			18
Beverly 250	2004-2007	SFA353	SFAC353		SFA353HH	MD961D		VR961			19
Beverly 250 Cruiser ie	2007-2008	SFA353	SFAC353		SFA353HH	MD961D		VR961			20
Beverly 250 ie	2006-2007	SFA353	SFAC353		SFA353HH	MD961D		VR961			21
Beverly 250 S ie	2007	SFA353	SFAC353		SFA353HH	MD961D		VR961			22
Beverly 250 Tourer ie	2008-2009	SFA353	SFAC353		SFA353HH	MD961D		VR961			23
Carnaby 250 ie	2008-2009	SFA353	SFAC353		SFA353HH	MD961D		VR961			24
FL 250 HP	1991-1997	V903									25
Hexagon GT 250	1998-1999	SFA194	SFAC194		SFA194HH	MD910D		VR910			26
MP3 250 EFI	2006-2008	SFA260*	SFAC260*		SFA260HH*	MD9112D*		VR9112*		MD9175D	27
MP3 250 LT ie	2009	SFA260*	SFAC260*		SFA260HH*	MD9112D*		VR9112*		MD9175D	28
MP3 250 MIC/EFI	2008-2009	SFA260*	SFAC260*		SFA260HH*	MD9112D*		VR9112*		MD9175D	29
Super Hexagon GTX 250	2000-2002	SFA194	SFAC194		SFA194HH	MD910D		VR910			30
X7 250ie	2008-2009	SFA353	SFAC353		SFA353HH	MD983D		VR983			31
X8 250ie	2005-2006	SFA353	SFAC353		SFA353HH	MD983D		VR983			32
X8 250ie	2007	SFA353	SFAC353		SFA353HH	MD961D					33
X9 250ie	2000-2004	SFA266*	SFAC266*		SFA266HH*	MD959D*		VR959*			34
X9 250ie	2004	SFA181*	SFAC181*		SFA181HH*	MD983D*		VR983*			35
X9 250ie	2005-2006		SFAC353		SFA353HH	MD959D*		VR959*			36
X9 250ie	2005-2006	SFA418	SFAC418		SFA418HH	MD959D*		VR959*			37
Xevo 250ie	2007-2010	SFA353	SFAC353		SFA353HH	MD983D		VR983			38
Beverly 300	2010-2018	SFA353	SFAC353		SFA353HH	MD9172D		VR9172			39
Beverly 300ie S	2014-2021	SFA353	SFAC353		SFA353HH	MD9172D		VR9172			40
Beverly 300 E5 S	2022-2024	SFA353	SFAC353		SFA353HH						41
Beverly Police 300 ABS ASR	2016-2018	SFA353	SFAC353		SFA353HH						42
Beverly Sport Touring 300ie	2011-2015	SFA324	SFAC324		SFA324HH	MD9172D		VR9172			43
Beverly Sport Touring 300ie	2011-2015	SFA324	SFAC324		SFA324HH	MD9172D		VR9172			44
Beverly Sport Touring 300ie	2016-2021	SFA353	SFAC353		SFA353HH	MD9172D		VR9172			45
Carnaby 300ie	2012	SFA353	SFAC353		SFA353HH	MD961D		VR961			46
Carnaby Cruiser 300	2008-2011	SFA353	SFAC353		SFA353HH	MD961D		VR961			47
MP3 Business LT 300ie	2013	SFA260*	SFAC260*		SFA260HH*	MD9112D*		VR9112*		MD9175D	48
MP3 Business LT 300ie	2014-2018	SFA681*	SFAC681*		SFA681HH*	MD9158D*					49
MP3 Hybrid 300ie	2011-2015	SFA260*	SFAC260*		SFA260HH*	MD9112D*		VR9112*		MD9175D	50
MP3 Hybrid 300ie LT	2011-2012	SFA260*	SFAC260*		SFA260HH*	MD9112D*		VR9112*		MD9175D	51
MP3 LT 300ie	2010	SFA260*	SFAC260*		SFA260HH*	MD9112D*		VR9112*		MD9175D	52
MP3 Sport 300ie LT	2013	SFA260*	SFAC260*		SFA260HH*	MD9112D*		VR9112*		MD9175D	53
MP3 Sport 300ie LT	2014-2018	SFA681*	SFAC681*		SFA681HH*	MD9158D*					54
MP3 Touring 300ie	2011-2012	SFA260*	SFAC260*		SFA260HH*	MD9112D*		VR9112*		MD9175D	55
MP3 Touring 300ie LT	2011-2012	SFA260*	SFAC260*		SFA260HH*	MD9112D*		VR9112*		MD9175D	56
MP3 Yourban 300 LT RL	2017-2018	SFA681*	SFAC681*		SFA681HH*	MD9158D*					57
MP3 Yourban 300ie	2011-2016	SFA260*	SFAC260*		SFA260HH*	MD9112D*		VR9112*		MD9175D	58
MP3 Yourban Sport 300ie	2011-2016	SFA260*	SFAC260*		SFA260HH*	MD9112D*		VR9112*		MD9175D	59
MP3 300 HPE	2022-2023	SFA618	SFAC618		SFA618HH	MD9158D*					60

*-2 Sets Required. † For Vee disc colours add RED, BLU, GRN, GLD, ORG suffix to part number.

⊗ - Also available as a Vintage Motorcycle Disc. ★ - EPFA available. ⚙ - Disc made of Billet steel. ♦ - CE solid discs for Enduro use.

Non-JAPANESE Built Motorcycles

Line #	BRAKE DISC CHOICES - FRONT			DISC PAD CHOICES - REAR				BRAKE DISC CHOICES - REAR					
	SMX Oversize 320mm Disc Kit Front Left	Front disc bolt kit	Front Brake Line	FA, SFA, TT Pad or Brake Shoe	SFAC Carbon Scooter Pads	Speciality Pads - SXR / Vee / MXS	Sintered HH/R Pads/ Grooved Shoes	Standard Replacement Disc	Contour Disc Rear Fitment	Vee Discs CONTOUR	CX Extreme MX Race Disc / UTVX Disc	Rear disc bolt kit	Rear Brake Line
1				SFA418	SFAC418		SFA418HH	MD9164D		VR9164			
2				SFA418	SFAC418		SFA418HH	MD9178D		VR9164			
3				816									
4				816									
5				816									
6				SFA266	SFAC266		SFA266HH	MD959D		VR959			
7				SFA353	SFAC353		SFA353HH	MD961D		VR961			
8				SFA194	SFAC194		SFA194HH	MD961D		VR961			
9				SFA353	SFAC353		SFA353HH	MD961D		VR961			
10				881									
11				881									
12				816									
13				816									
14				V903									
15				SFA266	SFAC266		SFA266HH	MD960D		VR960			
16				SFA425	SFAC425		SFA425HH	MD960D		VR960			
17				SFA266	SFAC266		SFA266HH	MD959D		VR959			
18				SFA266	SFAC266		SFA266HH	MD959D		VR959			
19				SFA353	SFAC353		SFA353HH	MD961D		VR961			
20				SFA353	SFAC353		SFA353HH	MD961D		VR961			
21				SFA353	SFAC353		SFA353HH	MD961D		VR961			
22				SFA353	SFAC353		SFA353HH	MD961D		VR961			
23				SFA353	SFAC353		SFA353HH	MD961D		VR961			
24				SFA353	SFAC353		SFA353HH	MD961D		VR961			
25				V903									
26				H350									
27				SFA425	SFAC425		SFA425HH	MD960D		VR960			
28				SFA418	SFAC418		SFA418HH	MD960D		VR960			
29				SFA418	SFAC418		SFA418HH	MD960D		VR960			
30				SFA321	SFAC321		SFA321HH	MD910D		VR910			
31				SFA418	SFAC418		SFA418HH	MD960D		VR960			
32				SFA425	SFAC425		SFA425HH	MD960D		VR960			
33				SFA425	SFAC425		SFA425HH	MD960D		VR960			
34				SFA266	SFAC266		SFA266HH	MD959D		VR959			
35				SFA266	SFAC266		SFA266HH	MD960D		VR960			
36				SFA425	SFAC425		SFA425HH	MD959D		VR959			
37				SFA425	SFAC425		SFA425HH	MD959D		VR959			
38				SFA418	SFAC418		SFA418HH	MD960D		VR960			
39				SFA418	SFAC418		SFA418HH	MD9155D		VR9155			
40				SFA418	SFAC418		SFA418HH	MD9155D		VR9155			
41				SFA418	SFAC418		SFA418HH						
42				SFA418	SFAC418		SFA418HH						
43				SFA418	SFAC418		SFA418HH	MD9164D		VR9164			
44				SFA418	SFAC418		SFA418HH	MD9164D		VR9164			
45				SFA418	SFAC418		SFA418HH	MD9164D		VR9164			
46				SFA353	SFAC353		SFA353HH	MD961D		VR961			
47				SFA353	SFAC353		SFA353HH	MD961D		VR961			
48				SFA418	SFAC418		SFA418HH	MD960D		VR960			
49				SFA418	SFAC418		SFA418HH	MD960D		VR960			
50				SFA418	SFAC418		SFA418HH	MD960D		VR960			
51				SFA418	SFAC418		SFA418HH	MD960D		VR960			
52				SFA418	SFAC418		SFA418HH	MD960D		VR960			
53				SFA418	SFAC418		SFA418HH	MD960D		VR960			
54				SFA418	SFAC418		SFA418HH	MD960D		VR960			
55				SFA418	SFAC418		SFA418HH	MD960D		VR960			
56				SFA418	SFAC418		SFA418HH	MD960D		VR960			
57				SFA418	SFAC418		SFA418HH	MD960D		VR960			
58				SFA418	SFAC418		SFA418HH	MD960D		VR960			
59				SFA418	SFAC418		SFA418HH	MD960D		VR960			
60				SFA418	SFAC418		SFA418HH	MD960D		VR960			

REAR / ARRIÈRE / HINTEN / POSTERIOR / POSTERIORE

R Suffix = High Durability Sintered Pad. **HH** Suffix = High Performance Sintered Pad. **TT** Suffix = Hard Wearing Off Road Pad. **V** Suffix = Semi Sintered Pad. **G** Suffix = Grooved Shoe.
D Suffix = Drilled Disc. **X** Suffix = Universal Left or Right Disc. **XC** Suffix = Contoured Disc. **LS** Suffix = Left/Steel Disc. **RS** = Right/Steel Disc.

BRAKE APPLICATIONS

*-2 Sets Required. † For Vee disc colours add RED, BLU, GRN, GLD, ORG suffix to part number.

⊙ - Also available as a Vintage Motorcycle Disc. ★ - EPFA available. ⚙ - Disc made of Billet steel. ♦ - CE solid discs for Enduro use.

Part numbers, prefixes, suffixes, photos and illustrations shown in this catalogue are trademarks and/or copyrights of EBC Brakes or the trademark owner A C Freeman Investments Ltd and use without express written permission of the owners is punishable by law.

Non-JAPANESE Built Motorcycles



PIAGGIO Contd.



		DISC PAD CHOICES - FRONT			BRAKE DISC CHOICES - FRONT					Line #	
Model	Year	FA, SFA, TT Pad or Brake Shoe	SFAC Carbon Scooter Pads	Speciality Pads - SXR / Vee / MXS	Sintered/HH Pads/ Grooved Shoes	Standard Replacement Discs	Contour Disc Universal Left and Right	Vee-Discs Black † See note below	CX Extreme Disc / UTVX Disc	OSX Oversize 250mm or 280mm	
X7 Evo 300ie	2010-2012	SFA353	SFAC353		SFA353HH	MD983D		VR983			1
MP3 Maxi Sport-Business 350 E4	2018-2019	SFA681*	SFAC681*		SFA681HH*	MD9158D*					2
X10 350 4V/EFI All Models	2012-2015		SFAC353		SFA353HH						3
	Left	SFA418	SFAC418		SFA418HH						4
	Right	SFA181	SFAC181		SFA181HH	MD961D*		VR961*			5
Beverly 400ie	2007	SFA266	SFAC266		SFA266HH	MD961D*		VR961*			6
Beverly 400ie Tourer	2008-2009	SFA418	SFAC418		SFA418HH						7
Beverly 400 E5	2023-2024	SFA418	SFAC418		SFA418HH						8
MP3 400ie	2007-2010	SFA260*	SFAC260*		SFA260HH*	MD9112D*		VR9112*		MD9175D	9
MP3 400ie LT	2009-2010	SFA260*	SFAC260*		SFA260HH*	MD9112D*		VR9112*		MD9175D	10
MP3 400ie Touring	2011-2012	SFA260*	SFAC260*		SFA260HH*	MD9112D*		VR9112*		MD9175D	11
MP3 400ie Touring LT	2011-2012	SFA260*	SFAC260*		SFA260HH*	MD9112D*		VR9112*		MD9175D	12
MP3 400 HPE RST	2022-2023	SFA618	SFAC618		SFA618HH	MD9158D*					13
Trackmaster 400 Quad	2006	FA395TT*			FA395R*	MD6173D*					14
X8 400ie	2006-2008		SFAC353		SFA353HH	MD961D*		VR961*			15
X8 400ie	2006-2008	SFA418	SFAC418		SFA418HH	MD961D*		VR961*			16
Xevo 400ie	2007-2010		SFAC353		SFA353HH	MD959D*		VR959*			17
Xevo 400ie	2007-2010	SFA418	SFAC418		SFA418HH	MD959D*		VR959*			18
Beverly 500	2002-2005	SFA266*	SFAC266*		SFA266HH*	MD961D*		VR961			19
Beverly 500	2006	SFA266*	SFAC266*		SFA266HH*	MD961D*		VR961			20
Beverly 500ie	2012	SFA266*	SFAC266*		SFA266HH*	MD961D*		VR961			21
Beverly 500ie Cruiser	2007-2011	SFA266*	SFAC266*		SFA266HH*	MD961D*		VR961			22
MP3 500 EFI	2009-2010	SFA260*	SFAC260*		SFA260HH*	MD9112D*		VR9112*		MD9175D	23
MP3 500 LT Business	2011-2015	SFA260*	SFAC260*		SFA260HH*	MD9112D*		VR9112*		MD9175D	24
MP3 500 LT Business	2014-2020	SFA681*	SFAC681*		SFA681HH*	MD9158D*					25
MP3 500 LT Sport	2011-2015	SFA260*	SFAC260*		SFA260HH*	MD9112D*		VR9112*		MD9175D	26
MP3 500 LT Sport	2014-2020	SFA681*	SFAC681*		SFA681HH*	MD9158D*					27
MP3 500 Sport Advanced E5	2021-2022	SFA681*	SFAC681*		SFA681HH*	MD9158D*					28
MP3 500ie Touring Business	2011-2012	SFA260*	SFAC260*		SFA260HH*	MD9112D*		VR9112*		MD9175D	29
MP3 500ie Touring Sport	2011-2012	SFA260*	SFAC260*		SFA260HH*	MD9112D*		VR9112*		MD9175D	30
X10 500 i 4V/EFI/All Models	Left 2012-2015		SFAC353		SFA353HH						31
	Right	SFA418	SFAC418		SFA418HH						32
X9 500 Evolution	2003-2006	SFA181*	SFAC181*		SFA181HH*	MD983D*		VR983*			33
X9 500 SL	2000-2002	SFA266*	SFAC266*		SFA266HH*	MD961D*		VR961*			34
X9 500ie	2007	SFA181*	SFAC181*		SFA181HH*	MD961D*		VR961*			35
MP3 530 HPE Exclusive RST	2022-2023	SFA618	SFAC618		SFA618HH	MD9158D*					36
S1 Mix 50	1992-1993	890									37
S1 Mix 50	1996-1999	808									38
Sprint Veloce VLB1 150	1974	V901									39
Super VBC1 150	1974	V905									40
Liberty Elettrico	2011-2012	SFA260	SFAC260		SFA260HH	MD956D		VR956			41
Zip Elettrico	2002	SFA193	SFAC193		SFA193HH	MD904D		VR904			42
											43
											44
											45
											46
											47
											48
											49
											50
											51
											52
											53
											54
											55
											56
											57
											58
											59
											60

FRONT / AVANT / VORN / FRENTE / ANTERIORE

R Suffix = High Durability Sintered Pad. HH Suffix = High Performance Sintered Pad. TT Suffix = Hard Wearing Off Road Pad. V Suffix = Semi Sintered Pad. G Suffix = Grooved Shoe.
D Suffix = Drilled Disc. X Suffix = Universal Left or Right Disc. XC Suffix = Contoured Disc. LS Suffix = Left/Steel Disc. RS = Right/Steel Disc.

PIZZA PEDS

Pizza Delivery Scooter 125cc 2012-2015 SFA054 SFAC054 SFA054HH

POLARIS

Slingshot R 2015-2016 FA669/4* MD533*
Slingshot SL R 2015-2018 FA669/4* MD533*
Slingshot SL SE R 2015-2018 FA669/4* MD533*
Slingshot SLR R 2017-2017 FA669/4*

POLARIS ATV

Outlaw 50 2008-2017 H338* H338G*
Predator 50 2004-2006 H338* H338G*
Scrambler 50 1985-1985 Y503 Y503G
Scrambler 50 2001-2002 H338* H338G*
Outlaw 90 2007-2015 H338* H338G*
Predator 90 2003-2005 H338* H338G*
Scrambler X 90 2001-2003 H338* H338G*
Sportsman 90 2001-2016 H338* H338G*

*-2 Sets Required. † For Vee disc colours add RED, BLU, GRN, GLD, ORG suffix to part number.
⊗ - Also available as a Vintage Motorcycle Disc. ★ - EPFA available. ⚙ Disc made of Billet steel. ♦ CE solid discs for Enduro use.

Non-JAPANESE Built Motorcycles

Line #	BRAKE DISC CHOICES - FRONT			DISC PAD CHOICES - REAR				BRAKE DISC CHOICES - REAR					
	SMX Oversize 320mm Disc Kit Front Left	Front disc bolt kit	Front Brake Line	FA, SFA, TT Pad or Brake Shoe	SFAC Carbon Scooter Pads	Speciality Pads - SXR / Vee / MXS	Sintered HH/R Pads/ Grooved Shoes	Standard Replacement Disc	Contour Disc Rear Fitment	Vee Discs CONTOUR	CX Extreme MX Race Disc / UTVX Disc	Rear disc bolt kit	Rear Brake Line
1				SFA418	SFAC418		SFA418HH	MD960D		VR960			
2				SFA418	SFAC418		SFA418HH	MD960D					
3													
4				SFA418	SFAC418		SFA418HH						
5				SFA353	SFAC353		SFA353HH	MD960D		VR960			
6				SFA266	SFAC266		SFA266HH	MD959D		VR959			
7				SFA353	SFAC353		SFA353HH						
8				SFA353	SFAC353		SFA353HH	MD960D		VR960			
9				SFA353	SFAC353		SFA353HH	MD960D		VR960			
10				SFA353	SFAC353		SFA353HH	MD960D		VR960			
11				SFA353	SFAC353		SFA353HH	MD960D		VR960			
12				SFA418	SFAC418		SFA418HH	MD960D					
13				FA395TT			FA395R	MD6173D					
14				SFA353	SFAC353		SFA353HH	MD960D		VR960			
15				SFA353	SFAC353		SFA353HH	MD960D		VR960			
16				SFA353	SFAC353		SFA353HH	MD960D		VR960			
17				SFA353	SFAC353		SFA353HH	MD960D		VR960			
18				SFA266	SFAC266		SFA266HH	MD960D		VR960			
19				SFA425	SFAC425		SFA425HH	MD960D		VR960			
20				SFA266	SFAC266		SFA266HH	MD960D		VR960			
21				SFA266	SFAC266		SFA266HH	MD960D		VR960			
22				SFA418	SFAC418		SFA418HH	MD960D		VR960			
23				SFA353	SFAC353		SFA353HH	MD960D		VR960			
24				SFA353	SFAC353		SFA353HH	MD960D					
25				SFA353	SFAC353		SFA353HH	MD960D		VR960			
26				SFA353	SFAC353		SFA353HH	MD960D					
27				SFA353	SFAC353		SFA353HH	MD960D					
28				SFA353	SFAC353		SFA353HH	MD960D		VR960			
29				SFA353	SFAC353		SFA353HH	MD960D		VR960			
30													
31				SFA418	SFAC418		SFA418HH						
32				SFA266	SFAC266		SFA266HH	MD960D		VR960			
33				SFA266	SFAC266		SFA266HH	MD960D		VR960			
34				SFA266	SFAC266		SFA266HH	MD960D		VR960			
35				SFA418	SFAC418		SFA418HH	MD960D					
36				890									
37				V907									
38				V903									
39				V902									
40				816									
41				806									
42													
43													
44				820									
45													
46													
47				FA670				MD533					
48				FA670				MD533					
49				FA670				MD533					
50				FA670									
51													
52													
53				H307			H307G						
54				H307			H307G						
55				FA040									
56				H307			H307G						
57				H307			H307G						
58				H307			H307G						
59				H307			H307G						
60				H307			H307G						

REAR / ARRIÈRE / HINTEN / POSTERIOR / POSTERIORE

R Suffix = High Durability Sintered Pad. **HH** Suffix = High Performance Sintered Pad. **TT** Suffix = Hard Wearing Off Road Pad. **V** Suffix = Semi Sintered Pad. **G** Suffix = Grooved Shoe.
D Suffix = Drilled Disc. **X** Suffix = Universal Left or Right Disc. **XC** Suffix = Contoured Disc. **LS** Suffix = Left/Steel Disc. **RS** = Right/Steel Disc.

*-2 Sets Required. † For Vee disc colours add RED, BLU, GRN, GLD, ORG suffix to part number.

⊗ - Also available as a Vintage Motorcycle Disc. ★ - EPFA available. Ⓢ Disc made of Billet steel. ◆ CE solid discs for Enduro use.

Part numbers, prefixes, suffixes, photos and illustrations shown in this catalogue are trademarks and/or copyrights of EBC Brakes or the trademark owner A C Freeman Investments Ltd and use without express written permission of the owners is punishable by law.

Non-JAPANESE Built Motorcycles



POLARIS ATV Contd.



DISC PAD CHOICES - FRONT

BRAKE DISC CHOICES - FRONT

R Suffix = High Durability Sintered Pad. **HH** Suffix = High Performance Sintered Pad. **TT** Suffix = Hard Wearing Off Road Pad. **V** Suffix = Semi Sintered Pad. **G** Suffix = Grooved Shoe.
D Suffix = Drilled Disc. **X** Suffix = Universal Left or Right Disc. **XC** Suffix = Contoured Disc. **LS** Suffix = Left/Steel Disc. **RS** = Right/Steel Disc.

FRONT / AVANT / VORN / FRENTE / ANTERIORE

		FA, SFA, TT Pad or Brake Shoe	SFAC Carbon Scooter Pads	Speciality Pads - SXR / Vee / MXS	Sintered/HH Pads/ Grooved Shoes	Standard Replacement Discs	Contour Disc Universal Left and Right	Vee-Discs Black † See note below	CX Extreme Disc / UTVX Disc	OSX Oversize 250mm or 280mm	Line #
Outlaw 110	2016-2018	H338*			H338G*						1
Sportsman 110	2016-2023	H338*			H338G*						2
Phoenix 200	2010-2013				FA490R*	MD6274D*					3
Phoenix 200 AA/AB Models	2004	FA159TT*			FA159R*	MD6219D*					4
Phoenix 200 AC/AD Models and Following	2006-2008	FA083TT*			FA083R*	MD6274D*					5
Phoenix Quadricycle 200	2009-2010				FA490R*	MD6274D*					6
Phoenix Quadricycle 200 EA/EB Models	2004	FA159TT*			FA159R*	MD6219D*					7
Phoenix Quadricycle 200 EC/ED Models	2005-2008	FA083TT*			FA083R*	MD6219D*					8
Sawtooth 200	2006-2007	FA083TT*			FA083R*	MD6274D*					9
250 2 x 4/4 x 4	1990	FA159TT*			FA159R*	MD6149D*					10
250 2 x 4/4 x 4	1993	FA159TT*			FA159R*	MD6150D*					11
Big Boss 250 4 x 6	1989-1989	FA159TT*			FA159R*	MD6147D*					12
Big Boss 250 4 x 6	1991-1991	FA159TT*			FA159R*	MD6150D*					13
Big Boss 250 4 x 6	1990	FA159TT*			FA159R*	MD6149D*					14
Big Boss 250 4 x 6	1992-1992	FA159TT*			FA159R*	MD6150D*					15
Cyclone X 250	1987	Y503*			Y503G*						16
Trail Blazer 250	1989	FA159TT*			FA159R*	MD6147D*					17
Trail Blazer 250	1991-1992	FA159TT*			FA159R*	MD6150D*					18
Trail Blazer 250	1994-1997	FA159TT*			FA159R*	MD6150D*					19
Trail Blazer 250	1999-1999	FA159TT*			FA159R*	MD6155D*					20
Trail Blazer 250	2005-2005	FA159TT*			FA159R*	MD6262D*					21
Trail Blazer 250 Freedom	2001-2003	FA159TT*			FA159R*	MD6155D*					22
Trail Boss 250	1988-1989	FA159TT*			FA159R*	MD6147D*					23
Trail Boss 250	1991-1998	FA159TT*			FA159R*	MD6150D*					24
Trail Boss 250 2 x 4	1985-1986	Y503*			Y503G*						25
Trail Boss 250 2 x 4/4 x 4	1988-1988	FA159TT*			FA159R*	MD6147D*					26
Trail Boss 250 2 x 4/4 x 4	1991-1991	FA159TT*			FA159R*	MD6150D*					27
Trail Boss 250 4 x 4	1986	FA054TT*			FA054R*	MD6147D*					28
Xplorer 250 4 x 4	1999	FA159TT*			FA159R*	MD6155D*					29
300 2 x 4/4 x 4	1994-1994	FA159TT*			FA159R*	MD6150D*					30
Big Boss 300 6 x 6	1994	FA159TT*			FA159R*	MD6150D*					31
Hawkeye 300 2 x 4	2006	FA395TT*			FA395R*	MD6272D*					32
Hawkeye 300 2 x 4	2008-2008	FA159TT*			FA159R*	MD6272D*					33
Hawkeye 300 2 x 4/4 x 4	2007	FA159TT*			FA159R*	MD6272D*					34
Hawkeye 300 4 x 4	2006	FA395TT*			FA395R*	MD6272D*					35
Sportsman 300 4 x 4	2008-2009	FA159TT*			FA159R*	MD6272D*					36
Sportsman 335 4 x 4	1999-2000	FA159TT*			FA159R*	MD6150D*					37
Sportsman 335 Worker 4 x 4	1999-2000	FA159TT*			FA159R*	MD6149D*					38
Sportsman 350 4 x 4	1993	FA159TT*			FA159R*	MD6149D*					39
Xplorer 300 4 x 4	1996-2000	FA159TT*			FA159R*	MD6150D*					40
Xpress 300 2 x 4	1998-1999	FA159TT*			FA159R*	MD6150D*					41
Xpress 300 L	1996-1997	FA159TT*			FA159R*	MD6150D*					42
Hawkeye 325 2 x 4/4 x 4	2015	FA159TT*			FA159R*	MD6202D*			UTVX6202*		43
Magnum 325 2 x 4 HDS	2002				FA159R*	MD6155D*					44
Magnum 325 2 x 4/4 x 4 Moose	2001	FA159TT*			FA159R*	MD6155D*					45
Magnum 325 4 x 4	2002				FA159R*	MD6155D*					46
Magnum 325 4 x 4 / 2 x 4	2000	FA159TT*			FA159R*	MD6155D*					47
Magnum 325 4 x 4 HDS	2002				FA159R*	MD6202D*					48
Sportsman 325 Ace	2014	FA656TT*			FA656R*	MD6202D*			UTVX6202*		49
Sportsman 325 Ace EFI	2015	FA656TT*			FA656R*	MD6202D*			UTVX6202*		50
Sportsman 325 Ace Euro	2015	FA656TT*			FA656R*	MD6202D*			UTVX6202*		51
Sportsman 325 Ace HD	2015	FA656TT*			FA656R*	MD6202D*			UTVX6202*		52
Trail Boss 325	2000-2002	FA159TT*			FA159R*	MD6155D*					53
Xpedition 325	2000-2001	FA159TT*			FA159R*	MD6155D*					54
ATP 330 4 x 4	2004-2004	FA159TT*			FA159R*	MD6202D*					55
Magnum 330 2 x 4/HDS	2003-2006				FA159R*	MD6149D*					56
Magnum 330 4 x 4/HDS	2003-2004				FA159R*	MD6202D*					57
Trail Blazer 330	2008-2008				FA159R*	MD6262D*					58
Trail Blazer 330	2010-2012				FA159R*	MD6202D*					59
Trail Boss 330	2003-2004	FA159TT*			FA159R*	MD6155D*					60

*-2 Sets Required. † For Vee disc colours add RED, BLU, GRN, GLD, ORG suffix to part number.

⊗ - Also available as a Vintage Motorcycle Disc. ★ - EPFA available. ⚙ - Disc made of Billet steel. ♦ - CE solid discs for Enduro use.

Non-JAPANESE Built Motorcycles

Line #	BRAKE DISC CHOICES - FRONT			DISC PAD CHOICES - REAR				BRAKE DISC CHOICES - REAR					
	SMX Oversize 320mm Disc Kit Front Left	Front disc bolt kit	Front Brake Line	FA, SFA, TT Pad or Brake Shoe	SFAC Carbon Scooter Pads	Speciality Pads - SXR / Vee / MXS	Sintered HH/R Pads/ Grooved Shoes	Standard Replacement Disc	Contour Disc Rear Fitment	Vee Discs CONTOUR	CX Extreme MX Race Disc / UTVX Disc	Rear disc bolt kit	Rear Brake Line
1				H307			H307G						
2				H307			H307G						
3				H306			H306G						
4				H306			H306G						
5				H306			H306G						
6				FA067TT			FA067R	MD6311D					
7				FA067TT			FA067R	MD6311D					
8				FA067TT			FA067R	MD6311D					
9				H306			H306G						
10				FA232TT			FA232R						
11				FA232TT			FA232R						
12				FA232TT			FA232R	MD6149D*					
13				FA232TT			FA232R	MD6149D*					
14				FA232TT			FA232R	MD6149D*					
15				FA232TT			FA232R	MD6149D*					
16				FA040									
17				FA232TT			FA232R						
18				FA232TT			FA232R						
19				FA232TT			FA232R						
20				FA270TT			FA270R	MD6156D					
21							FA314R	MD6256D		UTVX6256			
22				FA270TT			FA270R	MD6156D					
23				FA232TT			FA232R						
24				FA232TT			FA232R						
25				FA040									
26				FA232TT			FA232R						
27				FA232TT			FA232R						
28				FA232TT			FA232R						
29				FA270TT			FA270R						
30				FA232TT			FA232R						
31				FA232TT			FA232R	MD6149D*					
32				FA395TT*			FA395R*	MD6273D*					
33				FA159TT			FA159R	MD6273D					
34				FA159TT*			FA159R*	MD6273D					
35				FA395TT*			FA395R*	MD6273D*					
36				FA159TT			FA159R	MD6273D					
37				FA270TT			FA270R						
38				FA270TT			FA270R						
39				FA232TT			FA232R						
40				FA232TT			FA232R						
41				FA232TT			FA232R						
42				FA232TT			FA232R						
43				FA475TT			FA475R	MD6275D		UTVX6275			
44							FA314R	MD6200D					
45				FA270TT			FA270R	MD6156D					
46							FA314R	MD6200D					
47				FA270TT			FA270R	MD6156D					
48							FA314R	MD6200D					
49							FA354R*	MD6275D*		UTVX6275*			
50							FA354R*	MD6275D*		UTVX6275*			
51							FA354R*	MD6275D*		UTVX6275*			
52							FA354R*	MD6275D*		UTVX6275*			
53				FA270TT			FA270R	MD6156D					
54				FA270TT			FA270R	MD6156D					
55				FA159TT*			FA159R*	MD6200D					
56							FA314R	MD6200D					
57							FA314R	MD6200D					
58							FA314R	MD6256D		UTVX6256			
59							FA314R	MD6256D		UTVX6256			
60				FA270TT			FA270R	MD6156D					

REAR / ARRIÈRE / HINTEN / POSTERIOR / POSTERIORE

R Suffix = High Durability Sintered Pad. **HH** Suffix = High Performance Sintered Pad. **TT** Suffix = Hard Wearing Off Road Pad. **V** Suffix = Semi Sintered Pad. **G** Suffix = Grooved Shoe.
D Suffix = Drilled Disc. **X** Suffix = Universal Left or Right Disc. **XC** Suffix = Contoured Disc. **LS** Suffix = Left/Steel Disc. **RS** = Right/Steel Disc.

BRAKE APPLICATIONS

*-2 Sets Required. † For Vee disc colours add RED, BLU, GRN, GLD, ORG suffix to part number.

⊙ - Also available as a Vintage Motorcycle Disc. ★ - EPFA available. Ⓢ Disc made of Billet steel. ◆ CE solid discs for Enduro use.

Part numbers, prefixes, suffixes, photos and illustrations shown in this catalogue are trademarks and/or copyrights of EBC Brakes or the trademark owner A C Freeman Investments Ltd and use without express written permission of the owners is punishable by law.

Non-JAPANESE Built Motorcycles



POLARIS ATV Contd.



DISC PAD CHOICES - FRONT

BRAKE DISC CHOICES - FRONT

FRONT / AVANT / VORN / FRENTE / ANTERIORE

FA, SFA, TT Pad or Brake Shoe	SFAC Carbon Scooter Pads	Speciality Pads - SXR / Vee / MXS	Sintered/HH Pads/ Grooved Shoes	Standard Replacement Discs	Contour Disc Universal Left and Right	Vee-Discs Black † See note below	CX Extreme Disc / UTVX Disc	OSX Oversize 250mm or 280mm
Trail Boss 330			FA159R*	MD6262D*				
Trail Boss 330			FA159R*	MD6202D*				
350 L 2 x 4			FA159TT*	MD6150D*				
350 L 4 x 4			FA159TT*	MD6149D*				
350 L 4 x 4			FA159TT*	MD6150D*				
Big Boss 350 L			FA159TT*	MD6149D*				
Trail Boss 350 L 2 x 4			FA159TT*	MD6150D*				
Trail Boss 350 L 4 x 4			FA159TT*	MD6149D*				
400 L 2 x 4			FA159TT*	MD6150D*				
400 L 4 x 4			FA159TT*	MD6149D*				
Big Boss 400 L 6 x 6			FA159TT*	MD6149D*				
Big Boss 400 L 6 x 6			FA159TT*	MD6149D*				
Big Boss 400 L 6 x 6			FA159TT*	MD6149D*				
Hawkeye 400 HO 2 x 4			FA159TT*	MD6202D*				
Scrambler 400 2 x 4			FA159TT*	MD6155D*				
Scrambler 400 4 x 4			FA159TT*	MD6155D*				
Scrambler 400 L 4 x 4			FA159TT*	MD6150D*				
Sport 400 L			FA159TT*	MD6150D*				
Sport 400 R			FA159TT*	MD6150D*				
Sportsman 400			FA159TT*	MD6149D*				
Sportsman 400			FA159R*	MD6149D*				
Sportsman 400 HO 4 x 4			FA159R*	MD6272D*				
Sportsman 400 HO 4 x 4			FA159R*	MD6202D*			UTVX6202*	
Sportsman 400 L 4 x 4			FA159R*	MD6149D*				
Trail Blazer 400			FA159TT*	MD6155D*				
Xplorer 400			FA159TT*	MD6149D*				
Xplorer 400 4 x 4			FA159TT*	MD6155D*				
Xplorer 400 L 4 x 4			FA159TT*	MD6149D*				
Xplorer 400 L 4 x 4			FA159TT*	MD6149D*				
Xpress 400 L			FA159TT*	MD6150D*				
Magnum 425 2 x 4			FA159TT*	MD6150D*				
Magnum 425 4 x 4			FA159TT*	MD6149D*				
Magnum 425 6 x 6			FA159TT*	MD6149D*				
Magnum 425 6 x 6			FA159TT*	MD6149D*				
Xpedition 425 4 x 4			FA159TT*	MD6149D*				
Outlaw 450 MXR			FA456TT*	MD6219D*				
Outlaw 450 S			FA456TT*	MD6219D*				
Sportsman 450			FA159R*	MD6202D*			UTVX6202*	
Sportsman 450			FA159R*	MD6202D*				
Sportsman 450 HO			FA475TT*	MD6202D*				
Diesel 455			FA159TT*	MD6149D*				
Diesel 455 4 x 4 EBS			FA159TT*	MD6149D*				
ATP HO 500 4 x 4			FA159TT*	MD6202D*				
ATP Pro 500 4 x 4 PPS			FA159R*	MD6202D*				
Big Boss 500 6 x 6			FA159TT*	MD6149D*				
Magnum 500			FA159TT*	MD6149D*				
Magnum 500 2 x 4 39906 HDS			FA159R*	MD6149D*				
Magnum 500 4 x 4			FA159TT*	MD6149D*				
Magnum 500 4 x 4 HDS			FA159R*	MD6202D*				
Outlaw 500			FA159TT*	MD6219D*				
Predator 500 TLD			FA159TT*	MD6219D*				
Scrambler 500 2 x 4			FA159TT*	MD6155D*				
Scrambler 500 2 x 4			FA159R*	MD6262D*				
Scrambler 500 4 x 4			FA159TT*	MD6150D*				
Scrambler 500 4 x 4			FA159TT*	MD6155D*				
Scrambler 500 4 x 4			FA159TT*	MD6155D*				
Scrambler 500 4 x 4			FA159R*	MD6202D*				
Sportsman 500 4 x 4			FA159TT*	MD6149D*				
Sportsman 500 4 x 4			FA159R*	MD6149D*				
Sportsman 500 6 x 6			FA159R*	MD6149D*				

Line #
1
2
3
4
5
6
7
8
9
10
11
12
13
14
15
16
17
18
19
20
21
22
23
24
25
26
27
28
29
30
31
32
33
34
35
36
37
38
39
40
41
42
43
44
45
46
47
48
49
50
51
52
53
54
55
56
57
58
59
60

R Suffix = High Durability Sintered Pad. HH Suffix = High Performance Sintered Pad. TT Suffix = Hard Wearing Off Road Pad. V Suffix = Semi Sintered Pad. G Suffix = Grooved Shoe.

D Suffix = Drilled Disc. X Suffix = Universal Left or Right Disc. XC Suffix = Contoured Disc. LS Suffix = Left/Steel Disc. RS = Right/Steel Disc.

*-2 Sets Required. † For Vee disc colours add RED, BLU, GRN, GLD, ORG suffix to part number.

⊗ - Also available as a Vintage Motorcycle Disc. ★ - EPFA available. ⚙ Disc made of Billet steel. ◆ CE solid discs for Enduro use.

Non-JAPANESE Built Motorcycles

Line #	BRAKE DISC CHOICES - FRONT			DISC PAD CHOICES - REAR				BRAKE DISC CHOICES - REAR					
	SMX Oversize 320mm Disc Kit Front Left	Front disc bolt kit	Front Brake Line	FA, SFA, TT Pad or Brake Shoe	SFAC Carbon Scooter Pads	Speciality Pads - SXR / Vee / MXS	Sintered HH/R Pads/ Grooved Shoes	Standard Replacement Disc	Contour Disc Rear Fitment	Vee Discs CONTOUR	CX Extreme MX Race Disc / UTVX Disc	Rear disc bolt kit	Rear Brake Line
1							FA314R	MD6256D			UTVX6256		
2							FA314R	MD6256D			UTVX6256		
3				FA232TT			FA232R						
4				FA232TT			FA232R						
5				FA232TT			FA232R						
6				FA232TT			FA232R	MD6149D*					
7				FA232TT			FA232R						
8				FA232TT			FA232R						
9				FA232TT			FA232R						
10				FA232TT			FA232R						
11				FA232TT			FA232R	MD6149D*					
12				FA232TT			FA232R	MD6153D*					
13				FA232TT			FA232R	MD6149D*					
14				FA475TT			FA475R	MD6274D					
15				FA270TT			FA270R	MD6156D					
16				FA270TT			FA270R	MD6156D					
17				FA232TT			FA232R						
18				FA232TT			FA232R						
19				FA270TT			FA270R	MD6156D					
20				FA270TT			FA270R						
21							FA314R						
22				FA159TT			FA159R	MD6273D					
23				FA475TT			FA475R	MD6275D			UTVX6275		
24				FA232TT			FA232R						
25				FA270TT			FA270R	MD6156D					
26				FA270TT			FA270R	MD6169D					
27				FA270TT			FA270R	MD6156D					
28				FA232TT			FA232R						
29				FA270TT			FA270R	MD6169D					
30				FA232TT			FA232R						
31				FA232TT			FA232R						
32				FA232TT			FA232R						
33				FA232TT			FA232R	MD6153D*					
34				FA232TT			FA232R	MD6149D*					
35				FA270TT			FA270R	MD6156D					
36				FA159TT			FA159R	MD6290D					
37				FA159TT			FA159R	MD6218D					
38							FA314R	MD6275D			UTVX6275		
39							FA314R	MD6201D					
40				FA475TT			FA475R	MD6275D			UTVX6275		
41				FA270TT			FA270R						
42				FA270TT			FA270R						
43				FA159TT*			FA159R*	MD6200D					
44							FA314R	MD6200D					
45				FA232TT			FA232R	MD6149D*					
46				FA270TT			FA270R	MD6156D					
47							FA314R	MD6200D					
48				FA270TT			FA270R	MD6156D					
49							FA314R	MD6200D					
50				FA159TT			FA159R	MD6290D					
51				FA159TT			FA159R	MD6218D					
52				FA270TT			FA270R	MD6156D					
53							FA314R	MD6256D			UTVX6256		
54				FA232TT			FA232R						
55				FA270TT			FA270R	MD6156D					
56							FA314R	MD6256D			UTVX6256		
57							FA314R	MD6256D			UTVX6256		
58				FA232TT			FA232R	MD6201D					
59				FA232TT			FA232R	MD6154D					
60								MD6170D					

REAR / ARRIÈRE / HINTEN / POSTERIOR / POSTERIORE

R Suffix = High Durability Sintered Pad. **HH** Suffix = High Performance Sintered Pad. **TT** Suffix = Hard Wearing Off Road Pad. **V** Suffix = Semi Sintered Pad. **G** Suffix = Grooved Shoe.
D Suffix = Drilled Disc. **X** Suffix = Universal Left or Right Disc. **XC** Suffix = Contoured Disc. **LS** Suffix = Left/Steel Disc. **RS** = Right/Steel Disc.

*-2 Sets Required. † For Vee disc colours add RED, BLU, GRN, GLD, ORG suffix to part number.

⊙ - Also available as a Vintage Motorcycle Disc. ★ - EPFA available. ⚙ Disc made of Billet steel. ♦ CE solid discs for Enduro use.

Part numbers, prefixes, suffixes, photos and illustrations shown in this catalogue are trademarks and/or copyrights of EBC Brakes or the trademark owner A C Freeman Investments Ltd and use without express written permission of the owners is punishable by law.

Non-JAPANESE Built Motorcycles



POLARIS ATV Contd.



DISC PAD CHOICES - FRONT

BRAKE DISC CHOICES - FRONT

R Suffix = High Durability Sintered Pad. **HH** Suffix = High Performance Sintered Pad. **TT** Suffix = Hard Wearing Off Road Pad. **V** Suffix = Semi Sintered Pad. **G** Suffix = Grooved Shoe.

D Suffix = Drilled Disc. **X** Suffix = Universal Left or Right Disc. **XC** Suffix = Contoured Disc. **LS** Suffix = Left/Steel Disc. **RS** = Right/Steel Disc.

FRONT / AVANT / VORN / FRENTE / ANTERIORE

Model	Year	DISC PAD CHOICES - FRONT				BRAKE DISC CHOICES - FRONT					Line #
		FA, SFA, TT Pad or Brake Shoe	SFAC Carbon Scooter Pads	Speciality Pads - SXR / Vee / MXS	Sintered/HH Pads/ Grooved Shoes	Standard Replacement Discs	Contour Disc Universal Left and Right	Vee-Discs Black † See note below	CX Extreme Disc / UTVX Disc	OSX Oversize 250mm or 280mm	
Sportsman 500 EFI Quad HO	2008-2012				FA159R*	MD6202D*					1
Sportsman 500 Forest	2011	FA159TT*			FA159R*	MD6202D*					2
Sportsman 500 HO	2007				FA159R*	MD6202D*					3
Sportsman 500 HO	2009-2013				FA159R*	MD6202D*					4
Sportsman 500 HO/EFI	2004-2005				FA159R*	MD6202D*					5
Sportsman 500 HO/EFI	2007-2007				FA159R*	MD6202D*					6
Sportsman 500 HO/EFI Demand Drive	2003-2003				FA159R*	MD6149D*					7
Sportsman 500 Touring HO	2008-2010	FA159TT*			FA159R*	MD6202D*					8
Sportsman 500 Touring HO	2011-2012	FA159TT*			FA159R*	MD6202D*					9
Sportsman 500 Worker 4 x 4 EBS/500 RSE	1998-2001	FA159TT*			FA159R*	MD6149D*					10
Sportsman 500 X2	2006-2007				FA159R*	MD6202D*					11
Sportsman 500 X2 EFI	2007-2008	FA159TT*			FA159R*	MD6202D*					12
Sportsman 500 XP	2009	FA475TT*			FA475R*	MD6339D*					13
Xplorer 500 4 x 4	1997	FA159TT*			FA159R*	MD6149D*					14
Outlaw 525 IRS	2008-2011	FA456TT*			FA456R*	MD6219D*					15
Outlaw 525 S	2008-2010	FA456TT*			FA456R*	MD6219D*					16
Sportsman 550	2011-2012	FA475TT*			FA475R*	MD6339D*					17
Sportsman 550 EPS	2010-2014	FA475TT*			FA475R*	MD6339D*					18
Sportsman 550 Forest	2010-2014	FA475TT*			FA475R*	MD6339D*					19
Sportsman 550 Touring EPS	2010-2013	FA475TT*			FA475R*	MD6339D*					20
Sportsman 550 X2	2010-2013	FA475TT*			FA475R*	MD6339D*					21
Sportsman 550 XP	2009-2012	FA475TT*			FA475R*	MD6339D*					22
Sportsman 550 XP EPS	2009-2013	FA475TT*			FA475R*	MD6339D*					23
Forest Tractor 570 EFI/EPS	2014	FA159TT*			FA159R*	MD6202D*					24
Sportsman 570 6 x 6	2017-2021	FA159TT*			FA159R*	MD6202D*					25
Sportsman 570 6 x 6 Tractor	2017-2021	FA159TT*			FA159R*	MD6202D*					26
Sportsman 570 Ace	2015-2020	FA656TT*		SXR656HH*	FA656R*	MD6202D*			UTVX6202*		27
Sportsman 570 Ace Euro	2015-2020	FA656TT*		SXR656HH*	FA656R*	MD6202D*			UTVX6202*		28
Sportsman 570 EFI HD	2014-2018	FA159TT*			FA159R*	MD6202D*					29
Sportsman 570 EFI Inc EPS	2011-2014	FA159TT*			FA159R*	MD6202D*					30
Sportsman 570 EFI UTE	2014-2018	FA159TT*			FA159R*	MD6202D*					31
Sportsman 570 EFI X2 EPS	2015-2021	FA159TT*			FA159R*	MD6202D*					32
Sportsman 570 A21SEA57A1	2021-2023	FA475TT*			FA475R*	MD6202D*					33
Sportsman 570 SP	2015-2018	FA159TT*			FA159R*	MD6202D*					34
Sportsman 570 SP Touring	2015-2018	FA159TT*			FA159R*	MD6202D*					35
Sportsman 570 Touring EFI EPS	2014-2021	FA159TT*			FA159R*	MD6202D*					36
Sportsman 570 Touring Tractor EFI EPS	2016-2021	FA159TT*			FA159R*	MD6202D*					37
Sportsman 600 4 x 4	2003-2004			SXR159HH*	FA159R*	MD6202D*			UTVX6202*		38
Sportsman 700 4 x 4 EFI	2002-2005			SXR159HH*	FA159R*	MD6202D*			UTVX6202*		39
Sportsman 700 Efi	2007			SXR159HH*	FA159R*	MD6202D*			UTVX6202*		40
Sportsman 700 MV	2005-2005			SXR159HH*	FA159R*	MD6202D*			UTVX6202*		41
Sportsman 700 X2	2008	FA159TT*			FA159R*	MD6202D*			UTVX6202*		42
Sportsman 800 Efi	2005-2005			SXR159HH*	FA159R*	MD6202D*			UTVX6202*		43
Sportsman 800 Efi	2010-2012	FA159TT*			FA159R*	MD6202D*			UTVX6202*		44
Sportsman 800 Efi Touring	2008-2009	FA159TT*			FA159R*	MD6202D*			UTVX6202*		45
Sportsman 800 Efi Built up after 16/12/2008	2009			SXR159HH*	FA159R*	MD6202D*			UTVX6202*		46
Sportsman 800 Efi Built up to 15/12/2008	2008			SXR159HH*	FA159R*	MD6202D*			UTVX6202*		47
Sportsman 800 Efi Intl HO	2007-2011			SXR159HH*	FA159R*	MD6202D*			UTVX6202*		48
Sportsman 800 Efi Intl HO	2012-2013	FA475TT*			FA475R*	MD6339D*					49
Sportsman 800 X2 EFI	2007-2009	FA159TT*			FA159R*	MD6202D*			UTVX6202*		50
Forest 850	2014	FA475TT*			FA475R*	MD6339D*					51
Scrambler 850	2013-2017	FA475TT*			FA475R*	MD6339D*					52
Sportsman 850 Forest	2012-2014	FA475TT*			FA475R*	MD6339D*					53
Sportsman 850 SP	2015-2018	FA475TT*			FA475R*	MD6339D*					54
Sportsman 850 Touring EPS	2010-2013	FA475TT*			FA475R*	MD6339D*					55
Sportsman 850 Touring HO EPS	2013-2014	FA475TT*			FA475R*	MD6339D*					56
Sportsman 850 Touring SP	2015-2018	FA475TT*			FA475R*	MD6339D*					57
Sportsman 850 XP	2009-2014	FA475TT*			FA475R*	MD6339D*					58
Sportsman 850 XP EPS	2009-2013	FA475TT*			FA475R*	MD6339D*					59
Sportsman 850 XP Touring EPS	2012	FA475TT*			FA475R*	MD6339D*					60

*-2 Sets Required. † For Vee disc colours add RED, BLU, GRN, GLD, ORG suffix to part number.

⊗ - Also available as a Vintage Motorcycle Disc. ★ - EPFA available. ⚙ - Disc made of Billet steel. ♦ - CE solid discs for Enduro use.

Non-JAPANESE Built Motorcycles

Line #	BRAKE DISC CHOICES - FRONT			DISC PAD CHOICES - REAR				BRAKE DISC CHOICES - REAR					
	SMX Oversize 320mm Disc Kit Front Left	Front disc bolt kit	Front Brake Line	FA, SFA, TT Pad or Brake Shoe	SFAC Carbon Scooter Pads	Speciality Pads - SXR / Vee / MXS	Sintered HH/R Pads/ Grooved Shoes	Standard Replacement Disc	Contour Disc Rear Fitment	Vee Discs CONTOUR	CX Extreme MX Race Disc / UTVX Disc	Rear disc bolt kit	Rear Brake Line
1							FA314R*	MD6275D*			UTVX6275*		
2							FA314R*	MD6275D*			UTVX6275*		
3							FA314R	MD6275D			UTVX6275		
4				FA475TT			FA475R	MD6275D			UTVX6275		
5							FA314R*	MD6201D*					
6							FA314R*	MD6275D*			UTVX6275*		
7							FA314R*	MD6201D*					
8				FA159TT*			FA159R*	MD6275D*			UTVX6275*		
9							FA354R*	MD6275D*			UTVX6275*		
10				FA270TT			FA270R						
11							FA314R*	MD6275D*			UTVX6275*		
12				FA159TT			FA159R	MD6275D			UTVX6275		
13				FA475TT			FA475R	MD6339D					
14				FA232TT			FA232R						
15				FA159TT			FA159R	MD6290D					
16				FA159TT			FA159R	MD6218D					
17				FA475TT			FA475R	MD6339D					
18				FA475TT			FA475R	MD6339D					
19				FA475TT			FA475R	MD6339D					
20				FA475TT			FA475R	MD6339D					
21				FA475TT			FA475R	MD6339D					
22				FA475TT			FA475R	MD6339D					
23				FA475TT			FA475R	MD6339D					
24				FA475TT			FA475R	MD6275D			UTVX6275		
25				FA475TT			FA475R	MD6275D			UTVX6275		
26				FA475TT			FA475R	MD6275D			UTVX6275		
27							FA354R*	MD6275D*			UTVX6275*		
28							FA354R*	MD6275D*			UTVX6275*		
29				FA475TT			FA475R	MD6275D			UTVX6275		
30				FA475TT			FA475R	MD6275D			UTVX6275		
31				FA475TT			FA475R	MD6275D			UTVX6275		
32				FA475TT			FA475R	MD6275D			UTVX6275		
33				FA475TT			FA475R	MD6275D			UTVX6275		
34				FA475TT			FA475R	MD6275D			UTVX6275		
35				FA475TT			FA475R	MD6275D			UTVX6275		
36				FA475TT			FA475R	MD6275D			UTVX6275		
37				FA475TT			FA475R	MD6275D			UTVX6275		
38							FA314R	MD6201D					
39							FA314R	MD6201D					
40							FA314R	MD6275D			UTVX6275		
41							FA314R	MD6201D					
42				FA159TT			FA159R	MD6275D			UTVX6275		
43							FA314R	MD6201D					
44				FA475TT			FA475R	MD6275D			UTVX6275		
45				FA159TT*			FA159R	MD6275D					
46							FA314R	MD6275D			UTVX6275		
47							FA314R	MD6275D			UTVX6275		
48							FA314R	MD6275D			UTVX6275		
49				FA475TT			FA475R	MD6275D					
50				FA159TT*			FA159R*	MD6275D*			UTVX6275*		
51				FA475TT*			FA475R*	MD6275D*			UTVX6275		
52				FA475TT*			FA475R*	MD6339D*					
53				FA475TT*			FA475R*	MD6339D*					
54				FA475TT			FA475R	MD6339D					
55				FA475TT			FA475R	MD6339D					
56				FA475TT			FA475R	MD6339D					
57				FA475TT			FA475R	MD6339D					
58				FA475TT			FA475R	MD6339D					
59				FA475TT			FA475R	MD6339D					
60				FA475TT			FA475R	MD6339D					

REAR / ARRIÈRE / HINTEN / POSTERIOR / POSTERIORE

R Suffix = High Durability Sintered Pad. HH Suffix = High Performance Sintered Pad. TT Suffix = Hard Wearing Off Road Pad. V Suffix = Semi Sintered Pad. G Suffix = Grooved Shoe.
D Suffix = Drilled Disc. X Suffix = Universal Left or Right Disc. XC Suffix = Contoured Disc. LS Suffix = Left/Steel Disc. RS = Right/Steel Disc.

*-2 Sets Required. † For Vee disc colours add RED, BLU, GRN, GLD, ORG suffix to part number.

⊙ - Also available as a Vintage Motorcycle Disc. ★ - EPFA available. ⚙ Disc made of Billet steel. ♦ CE solid discs for Enduro use.

Part numbers, prefixes, suffixes, photos and illustrations shown in this catalogue are trademarks and/or copyrights of EBC Brakes or the trademark owner A C Freeman Investments Ltd and use without express written permission of the owners is punishable by law.

Non-JAPANESE Built Motorcycles



POLARIS ATV Contd.



Sportsman 850 A22SXA85A	2022-2023
Forest 1000	2015
Scrambler 1000	2014-2018
Scrambler 1000 XP	2014-2021
Scrambler 1000 XP	2019-2023
Sportsman 1000 1000 XP 55	2020-2021
Sportsman 1000 MD/XP	2015-2019
Sportsman 1000 Touring Tractor	2016-2022
Sportsman 1000 Touring XP	2015-2020
Sportsman 1000 XP 1000 High Lifter	2018-2019
Sportsman 1000 XP Tractor	2016-2020

POLARIS COMMERCIAL

Brutus	2013-2016
--------	-----------

POLARIS SIDE X SIDE

RZR 170 Ranger	2009-2013
325 Ranger ETX	2015-2015
400 Ranger	2010-2013
500 1999 Models	1998
500 Ranger 2 x 4 4 x 4	2006-2007
500 Ranger 4 x 4 EFI	2006-2007
500 Ranger 4 x 4 EFI	2008-2009
500 Ranger 4 x 4 EFI	2011-2012
500 Ranger Carb 2 x 4	2008-2008
500 Ranger Crew	2011-2012
500 Ranger EFI 4 x 4 HO	2009-2010
PPS LUH 6 x 6 R	2001
PPS/PTV Series 10 4 x 4	2005
PPS/PTV Series 10 6 x 6	2006
PPS/UTV Series 10 2 x 4	2008
PPS/UTV Series 10 4 x 6	2008
550 Sportsman X2	2009
570 Ranger Crew	2014-2014
570 Ranger Crew FS R08	2017-2019
570 Ranger Crew R03	2018-2018
570 Ranger Full Size R12	2017-2019
RZR 570	2012-2012
RZR 570	2014-2020
700 Ranger 4 x 4 EFI	2009
700 Ranger 4 x 4 EFI/LE	2007
700 Ranger 6 x 4 EFI	2008
700 Ranger 6 x 6 EFI	2006-2008
700 Ranger Crew EFI 4 x 4	2009
700 Ranger XP 4 x 4	2006
700 Ranger XP 4 x 4	2008
800 Ranger 6 x 6	2010-2014
800 Ranger Crew	2010-2014
800 Ranger XP	2010-2012
RZR 800 Ranger	2008-2013
RZR-4 800 EFI	2010-2013
RZR-4 800 Ranger EPS	2011
Ranger 2 x 4/4 x 4	2004-2005
Ranger 6 x 6	2004-2005
Ranger Series 10	2005
Ranger Series 11	2003
Ranger TM	2004-2005
Ranger TM	2006
Ranger XP	2005
900 D Ranger Crew Diesel	2013-2013

FRONT / AVANT / VORN / FRENTE / ANTERIORE

DISC PAD CHOICES - FRONT				BRAKE DISC CHOICES - FRONT					Line #
FA, SFA, TT Pad or Brake Shoe	SFAC Carbon Scooter Pads	Speciality Pads - SXR / Vee / MXS	Sintered/HH Pads/ Grooved Shoes	Standard Replacement Discs	Contour Disc Universal Left and Right	Vee-Discs Black † See note below	CX Extreme Disc / UTVX Disc	OSX Oversize 250mm or 280mm	
FA475TT*			FA475R*	MD6339D*					1
FA475TT*			FA475R*	MD6339D*					2
FA475TT*			FA475R*	MD6339D*					3
FA475TT*			FA475R*	MD6339D*					4
FA475TT*			FA475R*	MD6339D*					5
FA475TT*			FA475R*	MD6338D*					6
FA475TT*			FA475R*	MD6338D*					7
FA475TT*			FA475R*	MD6339D*					8
FA475TT*			FA475R*	MD6339D*					9
FA475TT*			FA475R*	MD6339D*					10
FA475TT*			FA475R*	MD6339D*					11
									12
		SXR656HH*	FA656R*	MD6338D*			UTVX6338*		13
									14
									15
			FA490R*	MD6353D*			UTVX6353*		16
			FA354R*	MD6202D*					17
FA452TT*			FA452R*	MD6202D*					18
FA159TT*			FA159R*	MD6149D*					19
			FA354R*	MD6202D*					20
			FA354R*	MD6202D*					21
			FA354R*	MD6202D*					22
FA452TT*			FA452R*	MD6202D*					23
			FA354R*	MD6202D*					24
FA452TT*			FA452R*	MD6202D*					25
FA452TT*			FA452R*	MD6202D*					26
FA452TT*		SXR452HH*	FA452R*	MD6338D*			UTVX6338*		27
FA159TT*			FA159R*	MD6149D*					28
FA159TT*			FA159R*	MD6202D*					29
FA159TT*			FA159R*	MD6149D*					30
			FA354R*	MD6202D*					31
			FA354R*	MD6202D*					32
FA475TT*			FA475R*	MD6339D*					33
FA656TT*			FA656R*	MD6202D*					34
FA656TT*		SXR656HH*	FA656R*	MD6338D*			UTVX6338*		35
FA656TT*		SXR656HH*	FA656R*	MD6338D*			UTVX6338*		36
FA656TT*		SXR656HH*	FA656R*	MD6338D*			UTVX6338*		37
FA456TT*		SXR456HH*	FA456R*	MD6312D*			UTVX6312*		38
FA456TT*		SXR456HH*	FA456R*	MD6338D*			UTVX6338*		39
FA452TT*		SXR452HH*	FA452R*	MD6338D*			UTVX6338*		40
			FA354R*	MD6202D*			UTVX6202*		41
FA452TT*		SXR452HH*	FA452R*	MD6202D*			UTVX6202*		42
			FA354R*	MD6202D*			UTVX6202*		43
FA452TT*		SXR452HH*	FA452R*	MD6202D*			UTVX6202*		44
			FA354R*	MD6202D*			UTVX6202*		45
FA452TT*		SXR452HH*	FA452R*	MD6202D*			UTVX6202*		46
FA452TT*		SXR452HH*	FA452R*	MD6338D*			UTVX6338*		47
FA452TT*		SXR452HH*	FA452R*	MD6338D*			UTVX6338*		48
FA452TT*		SXR452HH*	FA452R*	MD6338D*			UTVX6338*		49
FA456TT*		SXR456HH*	FA456R*	MD6312D*			UTVX6312*		50
FA452TT*		SXR452HH*	FA452R*	MD6338D*			UTVX6338*		51
FA452TT*		SXR452HH*	FA452R*	MD6338D*			UTVX6338*		52
			FA354R*	MD6202D*					53
			FA354R*	MD6202D*					54
			FA354R*	MD6202D*					55
			FA354R*	MD6202D*					56
			FA354R*	MD6202D*					57
			FA354R*	MD6202D*					58
			FA354R*	MD6202D*					59
FA452TT*		SXR452HH*	FA452R*	MD6338D*			UTVX6338*		60

*-2 Sets Required. † For Vee disc colours add RED, BLU, GRN, GLD, ORG suffix to part number.

⊗ - Also available as a Vintage Motorcycle Disc. ★ - EPFA available. ⚙ - Disc made of Billet steel. ♦ - CE solid discs for Enduro use.

Non-JAPANESE Built Motorcycles

Line #	BRAKE DISC CHOICES - FRONT			DISC PAD CHOICES - REAR				BRAKE DISC CHOICES - REAR					
	SMX Oversize 320mm Disc Kit Front Left	Front disc bolt kit	Front Brake Line	FA, SFA, TT Pad or Brake Shoe	SFAC Carbon Scooter Pads	Speciality Pads - SXR / Vee / MXS	Sintered HH/R Pads/ Grooved Shoes	Standard Replacement Disc	Contour Disc Rear Fitment	Vee Discs CONTOUR	CX Extreme MX Race Disc / UTVX Disc	Rear disc bolt kit	Rear Brake Line
1				FA475TT			FA475R	MD6339D					
2				FA475TT*			FA475R*	MD6275D*			UTVX6275*		
3				FA475TT*			FA475R*	MD6339D*					
4				FA475TT*			FA475R*	MD6339D*					
5				FA456TT*			FA456R*	MD6339D*					
6				FA456TT*			FA456R*	MD6338D*					
7				FA475TT*			FA475R*	MD6338D*					
8				FA475TT*			FA475R*	MD6339D*					
9				FA475TT*			FA475R*	MD6339D*					
10				FA475TT*			FA475R*	MD6339D*					
11				FA475TT*			FA475R*	MD6339D*					
12													
13													
14							FA354R*	MD6275D*			UTVX6275*		
15													
16													
17							FA489R	MD6344D			UTVX6344		
18							FA354R*	MD6275D*			UTVX6275*		
19							FA354R*	MD6275D*			UTVX6275*		
20							FA273R						
21							FA354R*	MD6275D*			UTVX6275*		
22							FA354R*	MD6275D*			UTVX6275*		
23							FA354R*	MD6275D*			UTVX6275*		
24							FA354R*	MD6275D*			UTVX6275*		
25							FA354R*	MD6275D*			UTVX6275*		
26							FA354R*	MD6275D*			UTVX6275*		
27							FA354R*	MD6275D*			UTVX6275*		
28								MD6170D					
29							FA314R	MD6200D					
30								MD6200D					
31							FA354R	MD6201D					
32							FA354R	MD6201D					
33				FA475TT			FA475R	MD6339D					
34							FA354R*	MD6275D*			UTVX6275*		
35				FA656TT*			FA656R*	MD6275D*			UTVX6275*		
36				FA656TT*			FA656R*	MD6275D*			UTVX6275*		
37				FA656TT*			FA656R*	MD6275D*			UTVX6275*		
38				FA159TT*			FA159R*	MD6275D*			UTVX6275*		
39				FA159TT*			FA159R*	MD6275D*			UTVX6275*		
40							FA354R*	MD6275D*			UTVX6275*		
41							FA354R*	MD6275D*			UTVX6275*		
42							FA354R*	MD6275D*			UTVX6275*		
43							FA354R*	MD6275D*			UTVX6275*		
44				FA452TT*			FA452R*	MD6275D*			UTVX6275*		
45							FA354R*	MD6275D*			UTVX6275*		
46							FA354R*	MD6275D*			UTVX6275*		
47							FA354R*	MD6275D*			UTVX6275*		
48				FA452TT*			FA452R*	MD6275D*			UTVX6275*		
49							FA354R*	MD6275D*			UTVX6275*		
50				FA159TT*			FA159R*	MD6275D*			UTVX6275*		
51							FA354R*	MD6275D*			UTVX6275*		
52							FA354R*	MD6275D*			UTVX6275*		
53							FA354R*	MD6201D*					
54							FA354R*	MD6201D*					
55							FA354R*	MD6201D*					
56							FA354R*	MD6201D*					
57							FA354R*	MD6201D*					
58							FA354R*	MD6275D*			UTVX6275*		
59							FA354R*	MD6201D*					
60				FA452TT*			FA452R*	MD6275D*			UTVX6275*		

REAR / ARRIÈRE / HINTEN / POSTERIOR / POSTERIORE

R Suffix = High Durability Sintered Pad. HH Suffix = High Performance Sintered Pad. TT Suffix = Hard Wearing Off Road Pad. V Suffix = Semi Sintered Pad. G Suffix = Grooved Shoe.
D Suffix = Drilled Disc. X Suffix = Universal Left or Right Disc. XC Suffix = Contoured Disc. LS Suffix = Left/Steel Disc. RS = Right/Steel Disc.

*-2 Sets Required. † For Vee disc colours add RED, BLU, GRN, GLD, ORG suffix to part number.

⊙ - Also available as a Vintage Motorcycle Disc. ★ - EPFA available. ⚙ - Disc made of Billet steel. ♦ - CE solid discs for Enduro use.

Part numbers, prefixes, suffixes, photos and illustrations shown in this catalogue are trademarks and/or copyrights of EBC Brakes or the trademark owner A C Freeman Investments Ltd and use without express written permission of the owners is punishable by law.

Non-JAPANESE Built Motorcycles



POLARIS SIDE X SIDE Contd.



		DISC PAD CHOICES - FRONT			BRAKE DISC CHOICES - FRONT						
		FA, SFA, TT Pad or Brake Shoe	SFAC Carbon Scooter Pads	Speciality Pads - SXR / Vee / MXS	Sintered/HH Pads/ Grooved Shoes	Standard Replacement Discs	Contour Disc Universal Left and Right	Vee-Discs Black † See note below	CX Extreme Disc / UTVX Disc	OSX Oversize 250mm or 280mm	Line #
900 D Ranger Diesel	2011-2013	FA452TT*		SXR452HH*	FA452R*	MD6338D*			UTVX6338*		1
900 Ranger XP	2013-2013	FA452TT*		SXR452HH*	FA452R*	MD6338D*			UTVX6338*		2
900 Ranger XP	2015	FA452TT*		SXR452HH*	FA452R*	MD6338D*			UTVX6338*		3
RZR 900 HE	2015-2019	FA657TT*			FA657R*	MD6338D*			UTVX6338*		4
RZR-4 XP 900 inc MRZR	2012-2013	FA656TT*		SXR656HH*	FA656R*	MD6338D*			UTVX6338*		5
RZR-S 900 HE	2015-2019	FA657TT*			FA657R*	MD6338D*			UTVX6338*		6
1000 General 4 EPS 4 Seat	2017-2020	FA656TT*		SXR656HH*	FA656R*	MD6380D*			UTVX6380*		7
1000 General EPS 2 Seat	2016-2019	FA656TT*		SXR656HH*	FA656R*	MD6380D*			UTVX6380*		8
1000 General EPS 2 Seat	2017-2023	FA656TT*		SXR656HH*	FA656R*	MD6380D*			UTVX6380*		9
1000 Ranger Crew Diesel	2015	FA452TT*		SXR452HH*	FA452R*	MD6338D*			UTVX6338*		10
1000 Rangr Diesel	2015	FA452TT*		SXR452HH*	FA452R*	MD6338D*			UTVX6338*		11
RZR 1000 60 Inch	2016-2019	FA657TT*			FA657R*	MD6338D*			UTVX6338*		12
RZR 1000 XP	2014-2021	FA656TT*		SXR656HH*	FA656R*	MD6380D*			UTVX6380*		13
RZR 1000 XP 4 Turbo	2016-2020			SXR680HH*	FA680R*	MD6397D*			UTVX6397*		14
RZR 1000 XP Turbo	2016-2020			SXR680HH*	FA680R*	MD6397D*			UTVX6397*		15
RZR 1000 XP Turbo Pro	2020-2022			SXR680HH*	FA680R*	MD6397D*			UTVX6397*		16
RZR 1000 XP4 Turbo S R02	2019-2020			SXR728HH*	FA728R*						17
PPS/Series 11 2 x 4/4 x 4	2015				FA354R*	MD6202D*					18
PPS/Series 11 6 x 6	2015				FA354R*	MD6202D*					19
PPS/UTV Series 11 1500 2 x 4	2003				FA354R*	MD6202D*					20
Ranger EV Electric	2011-2019	FA452TT*		SXR452HH*	FA452R*	MD6202D*			UTVX6202*		21
Ranger Handbrake Pads Various models	2005-2015										22
POLARIS SLINGSHOT											
Base 2.0L	2015-2016	FA669/4*				MD533*					25
S 2.0L	2018-2022	FA669/4*				MD533*					26
SL 2.0L	2015-2022	FA669/4*				MD533*					27
SL LE 2.0L	2015-2022	FA669/4*				MD533*					28
SLR 2.0L	Left 2017-2022	FA669/4		FA4669/4							29
	Right										30
POLINI											
Mini Motos Mini Bikes	2009	FA293									33
Mini Motos X1R/X3R H20 50cc	2009	FA325TT			FA325R						34
Mini Motos XP4 Street 50	2009	FA351TT									35
Mini Motos XP 65 R	2009	FA351TT									36
Mini Motos Mini Motard 110cc	2009	FA352									37
Mini Motos XP 110cc Cross	2009	FA352									38
Mini Motos XP 110cc Cross	2009	FA352									39
Mini Motos XP4 Off Road 125	2009	FA351TT									40
Mini Motos XP4 Street 125	2009	FA351TT									41
PRAGA											
250 Enduro	2003	FA181TT		MXS181	FA181R						44
610 Enduro	2003	FA181TT		MXS181	FA181R						45
610 Supermotard	2003	FA095			FA095HH★						46
PUCH											
M 50 Grand Prix	1974-1977	932									49
M 50 SDP	1975-1977	FA050									50
M 50 SDP	1975-1977	FA050									51
M 50 Sport	1973-1974				843G						52
Magnum 50cc Automatic Kid's Bike	1978-1980	931									53
Maxi 50	1973-1980	H322									54
Maxi 50 N/NK	1973-1980	H322									55
Maxi 50 SW/SKW	1973-1980	H322									56
M 250 Sport	1974	856									57
M 350 Sport	1975	856									58

FRONT / AVANT / VORN / FRENTE / ANTERIORE

R Suffix = High Durability Sintered Pad. HH Suffix = High Performance Sintered Pad. TT Suffix = Hard Wearing Off Road Pad. V Suffix = Semi Sintered Pad. G Suffix = Grooved Shoe.
D Suffix = Drilled Disc. X Suffix = Universal Left or Right Disc. XC Suffix = Contoured Disc. LS Suffix = Left/Steel Disc. RS = Right/Steel Disc.

*-2 Sets Required. † For Vee disc colours add RED, BLU, GRN, GLD, ORG suffix to part number.

⊙ - Also available as a Vintage Motorcycle Disc. ★ - EPFA available. ⚙ Disc made of Billet steel. ◆ CE solid discs for Enduro use.

342 Part numbers, prefixes, suffixes, photos and illustrations shown in this catalogue are trademarks and/or copyrights of EBC Brakes or the trademark owner A C Freeman Investments Ltd and use without express written permission of the owners is punishable by law.

Non-JAPANESE Built Motorcycles

Line #	BRAKE DISC CHOICES - FRONT			DISC PAD CHOICES - REAR				BRAKE DISC CHOICES - REAR					
	SMX Oversize 320mm Disc Kit Front Left	Front disc bolt kit	Front Brake Line	FA, SFA, TT Pad or Brake Shoe	SFAC Carbon Scooter Pads	Speciality Pads - SXR / Vee / MXS	Sintered HH/R Pads/ Grooved Shoes	Standard Replacement Disc	Contour Disc Rear Fitment	Vee Discs CONTOUR	CX Extreme MX Race Disc / UTVX Disc	Rear disc bolt kit	Rear Brake Line
1							FA354R*	MD6275D*			UTVX6275*		
2							FA354R*	MD6374D*			UTVX6374*		
3							FA354R*	MD6275D*			UTVX6275*		
4				FA456TT*			FA456R*	MD6338D*			UTVX6338*		
5				FA656TT*			FA656R*	MD6338D*			UTVX6338*		
6				FA456TT*			FA456R*	MD6338D*			UTVX6338*		
7				FA456TT*			FA456R*	MD6380D*			UTVX6380*		
8				FA456TT*			FA456R*	MD6380D*			UTVX6380*		
9				FA456TT*			FA456R*	MD6380D*			UTVX6380*		
10							FA354R*	MD6275D*			UTVX6275*		
11							FA354R*	MD6275D*			UTVX6275*		
12				FA456TT*			FA456R*	MD6338D*			UTVX6338*		
13				FA656TT*			FA656R*	MD6380D*			UTVX6380*		
14				FA656TT*			FA656R*	MD6397D*			UTVX6397*		
15				FA656TT*			FA656R*	MD6397D*			UTVX6397*		
16				FA656TT*			FA656R*	MD6397D*			UTVX6397*		
17				FA656TT*			FA656R*	MD6397D*			UTVX6397*		
18							FA354R*	MD6201D*					
19							FA354R*	MD6201D*					
20							FA354R	MD6201D					
21							FA354R*	MD6275D*			UTVX6275*		
22													
23													
24													
25				FA670				MD533					
26				FA670				MD533					
27				FA670				MD533					
28				FA670				MD533					
29				FA670									
30				FA4670									
31													
32													
33				FA293									
34				FA325TT			FA325R						
35				FA351TT									
36				FA351TT									
37				FA352									
38				FA352									
39				FA352									
40				FA351TT									
41				FA351TT									
42													
43													
44				FA208TT		MXS208	FA208R						
45				FA208TT		MXS208	FA208R						
46				FA208TT									
47													
48													
49				932									
50				932									
51							843G						
52							843G						
53				931									
54				H322									
55				H322									
56				H322									
57				856									
58				856									
59													
60													

REAR / ARRIÈRE / HINTEN / POSTERIOR / POSTERIORE

R Suffix = High Durability Sintered Pad. **HH** Suffix = High Performance Sintered Pad. **TT** Suffix = Hard Wearing Off Road Pad. **V** Suffix = Semi Sintered Pad. **G** Suffix = Grooved Shoe.
D Suffix = Drilled Disc. **X** Suffix = Universal Left or Right Disc. **XC** Suffix = Contoured Disc. **LS** Suffix = Left/Steel Disc. **RS** = Right/Steel Disc.

BRAKE APPLICATIONS

*-2 Sets Required. † For Vee disc colours add RED, BLU, GRN, GLD, ORG suffix to part number.

⊙ - Also available as a Vintage Motorcycle Disc. ★ - EPFA available. ⚙ - Disc made of Billet steel. ♦ - CE solid discs for Enduro use.

Part numbers, prefixes, suffixes, photos and illustrations shown in this catalogue are trademarks and/or copyrights of EBC Brakes or the trademark owner A C Freeman Investments Ltd and use without express written permission of the owners is punishable by law. 343

Non-JAPANESE Built Motorcycles



Puzezy

MTD 300 4 Valve	2011-2012
MTD 300 4 Valve	2011-2012

QUADRO

QV3	2018-2020
350 4	2014-2015
350 D	2011-2015
350 S	2013-2015
Qooder	2018-2020

QUADZILLA

Buzz 50	2003-2007
Micro Buggy MKII/III RV 50	2005-2009
R50	2003-2006
WK 50 White Knuckle Pit Bike	2006-2011
ZR50	2007-2009
WK 70 White Knuckle Pit Bike	2006-2009
WK 70 White Knuckle Pit Bike	2006-2009
Black Max M100 SE	2006
Magmax	2003-2005
R100	2006-2009
Ram R100	2003-2005
Ram R100	2003-2005
X100 E XLC	2006-2007
WK 110 White Knuckle Pit Bike	2006-2008
WK 125 White Knuckle Pit Bike	2006-2011
WK 140 White Knuckle Pit Bike	2006-2008
BR 150 Bugrider	2004-2006
CVT 150 E Bugrider	2010-2011
R170 Ram	2003-2005
R170 Ram E Stinger	2003-2005
R170 Stinger E	2006
200 4 Cross E SUV	2006-2007
BR 200 R	2007-2008
R200 E Stinger E Stinger	2006-2007
ST 200 E	2006-2007
ST 200 E	2006-2007
250e	2006-2011
BR 250 E Bugrider	2005-2008
Ram R250	2003-2005
Ram R250 E Stinger	2003-2005
Stinger R250 E	2006
XRV 250 E	2006-2007
XRV 250 Off Road	2006
300e	2006-2007
300e Stinger	2009-2011
300e SUV	2006
300e SUV	2006-2007
300e XLC	2006-2007
300e XLC	2007-2008
300e XLC Stinger	2007-2008
300SE 4 Valve	2006-2007
CUV 300 4 x 4 Super Utility Side x Side	2008
CUV 300 E 4 x 4 Side x Side	2008-2009
Jow 300	2007-2008
Quadzilla 300	2004-2005
RL 300 Buggie	2007-2008
RL 300 Buggie	2009-2011
WK 300 White Knuckle Pit Bike	2006-2008
320e 4 x 4	2007-2008

FRONT / AVANT / VORN / VORN / FRENTE / ANTERIORE

DISC PAD CHOICES - FRONT				BRAKE DISC CHOICES - FRONT					Line #
FA, SFA, TT Pad or Brake Shoe	SFAC Carbon Scooter Pads	Speciality Pads - SXR / Vee / MXS	Sintered/HH Pads/ Grooved Shoes	Standard Replacement Discs	Contour Disc Universal Left and Right	Vee-Discs Black † See note below	CX Extreme Disc / UTVX Disc	OSX Oversize 250mm or 280mm	
FA135TT		MXS135	FA135R						1
FA135TT		MXS135	FA135R						2
									3
									4
SFA083*	SFAC083*		SFA083HH*						5
SFA193*	SFAC193*		SFA193HH*						6
SFA193*	SFAC193*		SFA193HH*						7
SFA193*	SFAC193*		SFA193HH*						8
SFA083*	SFAC083*		SFA083HH*						9
									10
									11
									12
H346*			H346G*						13
S614*			S614G*						14
S614			S614G						15
H346			H346G						16
S614			S614G						17
SFA169	SFAC169		SFA169HH						18
Y503*			Y503G*						19
									20
S614*			S614G*						21
									22
									23
Y503*			Y503G*						24
SFA169	SFAC169		SFA169HH						25
SFA169	SFAC169		SFA169HH						26
FA448									27
FA416TT*			FA416R*						28
FA453TT*			FA453R*						29
Y503*			Y503G*						30
Y503*			Y503G*						31
Y503*			Y503G*						32
FA083TT*			FA083R*						33
FA416TT*			FA416R*						34
Y503*			Y503G*						35
Y503*			Y503G*						36
FA083TT*			FA083R*						37
FA067TT*			FA067R*						38
FA416TT*			FA416R*						39
Y503*			Y503G*						40
Y503*			Y503G*						41
FA083TT*			FA083R*						42
FA416TT*			FA416R*						43
FA416TT*			FA416R*						44
FA453TT*			FA453R*						45
FA067TT*			FA067R*						46
FA453TT*			FA453R*						47
FA453TT*			FA453R*						48
FA083TT*			FA083R*						49
FA067TT*			FA067R*						50
FA067TT*			FA067R*						51
FA083TT*			FA083R*						52
FA482TT*			FA482R*						53
FA482TT*			FA482R*						54
FA067TT*			FA067R*						55
FA453TT*			FA453R*						56
FA416TT*			FA416R*						57
FA067TT*			FA067R*						58
FA228			FA228HH						59
FA453TT*			FA453R*						60

*-2 Sets Required. † For Vee disc colours add RED, BLU, GRN, GLD, ORG suffix to part number.

⊗ - Also available as a Vintage Motorcycle Disc. ★ - EPFA available. ⚙ - Disc made of Billet steel. ♦ - CE solid discs for Enduro use.

Non-JAPANESE Built Motorcycles

Line #	BRAKE DISC CHOICES - FRONT			DISC PAD CHOICES - REAR				BRAKE DISC CHOICES - REAR					
	SMX Oversize 320mm Disc Kit Front Left	Front disc bolt kit	Front Brake Line	FA, SFA, TT Pad or Brake Shoe	SFAC Carbon Scooter Pads	Speciality Pads - SXR / Vee / MXS	Sintered HH/R Pads/ Grooved Shoes	Standard Replacement Disc	Contour Disc Rear Fitment	Vee Discs CONTOUR	CX Extreme MX Race Disc / UTVX Disc	Rear disc bolt kit	Rear Brake Line
1				FA346TT		MXS346	FA346R						
2				FA346TT		MXS346	FA346R						
3													
4													
5				SFA268*	SFAC268*		SFA268HH						
6				SFA083*	SFAC083*		SFA083HH						
7				SFA083	SFAC083		SFA083HH						
8				SFA083	SFAC083		SFA083HH						
9				SFA268*	SFAC268*		SFA268HH						
10													
11													
12				FA453TT*			H302G						
13				FA485TT									
14				FA232TT			FA232R						
15				S614									
16				FA083TT			FA083R						
17				S614									
18				S614			S614G						
19				FA083TT			FA083R						
20				FA083TT			FA083R						
21				FA083TT			FA083R						
22				FA083TT			FA083R						
23				FA083TT			FA083R						
24				FA083TT			FA083R						
25				FA086			FA086HH						
26				FA086			FA086HH						
27				FA480									
28				FA054TT			FA054R						
29				FA431TT			FA431R						
30				FA135TT			FA135R						
31				FA135TT			FA135R						
32				FA135TT			FA135R						
33				FA135TT			FA135R						
34				FA067TT			FA067R						
35				FA054TT			FA054R						
36				FA135TT			FA135R						
37				FA135TT			FA135R						
38				FA067TT			FA067R	MD6364D					
39				FA431TT			FA431R						
40				FA135TT			FA135R						
41				FA135TT			FA135R						
42				FA067TT			FA067R	MD6364D					
43				FA431TT			FA431R						
44				FA431TT			FA431R						
45				FA270TT			FA270R						
46				FA067TT			FA067R						
47				FA270TT			FA270R						
48				FA270TT			FA270R						
49				FA067TT			FA067R						
50				FA067TT			FA067R						
51				FA067TT			FA067R						
52				FA067TT			FA067R						
53				FA453TT*			FA453R*						
54				FA270TT			FA270R						
55				FA067TT			FA067R						
56				FA270TT			FA270R						
57				FA431TT			FA431R						
58				FA067TT			FA067R						
59				FA197			FA197HH★						
60				FA431TT			FA431R						

REAR / ARRIÈRE / HINTEN / POSTERIOR / POSTERIORE

R Suffix = High Durability Sintered Pad. **HH** Suffix = High Performance Sintered Pad. **TT** Suffix = Hard Wearing Off Road Pad. **V** Suffix = Semi Sintered Pad. **G** Suffix = Grooved Shoe.
D Suffix = Drilled Disc. **X** Suffix = Universal Left or Right Disc. **XC** Suffix = Contoured Disc. **LS** Suffix = Left/Steel Disc. **RS** = Right/Steel Disc.

*-2 Sets Required. † For Vee disc colours add RED, BLU, GRN, GLD, ORG suffix to part number.

⊙ - Also available as a Vintage Motorcycle Disc. ★ - EPFA available. ⚙ Disc made of Billet steel. ♦ CE solid discs for Enduro use.

Part numbers, prefixes, suffixes, photos and illustrations shown in this catalogue are trademarks and/or copyrights of EBC Brakes or the trademark owner A C Freeman Investments Ltd and use without express written permission of the owners is punishable by law.

Non-JAPANESE Built Motorcycles



QUADZILLA Contd.



DISC PAD CHOICES - FRONT

BRAKE DISC CHOICES - FRONT

R Suffix = High Durability Sintered Pad. **HH** Suffix = High Performance Sintered Pad. **TT** Suffix = Hard Wearing Off Road Pad. **V** Suffix = Semi Sintered Pad. **G** Suffix = Grooved Shoe.

D Suffix = Drilled Disc. **X** Suffix = Universal Left or Right Disc. **XC** Suffix = Contoured Disc. **LS** Suffix = Left/Steel Disc. **RS** = Right/Steel Disc.

		DISC PAD CHOICES - FRONT			BRAKE DISC CHOICES - FRONT					Line #	
		FA, SFA, TT Pad or Brake Shoe	SFAC Carbon Scooter Pads	Speciality Pads - SXR / Vee / MXS	Sintered/HH Pads/ Grooved Shoes	Standard Replacement Discs	Contour Disc Universal Left and Right	Vee-Discs Black † See note below	CX Extreme Disc / UTVX Disc	OSX Oversize 250mm or 280mm	Line #
		CVT 320e	2007-2011	FA453TT*		FA453R*					1
		QZ 320e 4 x 4	2009	FA483TT		FA483R					2
		325 4 x 4 Quad	2010-2011	FA483TT*		FA483R*					3
		QZ 450 RS	2006-2009	FA067TT*		FA067R*					4
		QZ 450 Sport	2008-2009	FA067TT*		FA067R*					5
		500 4 x 4	2006-2007	FA453TT*		FA453R*					6
		CUV 500 Side x Side	2010-2011	FA453TT*		FA453R*					7
		QZ 500 E/ES 4 x 4	2009-2011	FA453TT*		FA453R*					8
		RL 500 Buggy	2008-2009	FA171*		FA171HH*					9
		RL 500 Buggy MK II	2010-2011	FA453TT*		FA453R*					10
		RS 5 4WD	2010-2011	FA453TT*		FA453R*					11
		XLC 500	2010-2015	FA067TT*		FA067R*					12
		RS 6 4WD	Left 2010-2011			FA135R					13
			Right	FA165TT		FA165R					14
		Z6 4 x 4	2010-2013	FA453TT*		FA453R*					15
		RS 7 4WD	2010-2011	FA377TT*		FA377R*					16
		X7R	2010-2011	FA377TT*		FA377R*					17
		RS8	2010-2011	FA377TT*		FA377R*					18
		X8 4 x 4/EFI	2012-2015	FA453TT*		FA453R*					19
		Z8 4 x 4/Side x Side	Left 2014-2015			FA135R					20
			Right	FA165TT		FA165R					21
		RIEJU									
		MIUS-Electric	2012-2015	SFA083	SFAC083	SFA083HH					22
		MRT 50	2009-2023	FA093							23
		MRT 50 Pro	2009-2023	FA266		FA266HH					24
		MRT 50 Pro Supermotard	2009-2021	FA266		FA266HH					25
		MRT 50 Supermotard	2009-2021	FA093		FA266HH					26
		MRX 50	2003-2008	FA115		FA115R					27
		MRX 50 Castrol	2001-2002	FA167		FA167HH					28
		MRX 50 Competizione	2011-2014	FA465TT	MXS465	FA465R					29
		MRX 50 Pro/Top	2004-2008	FA194		FA194HH					30
		NKD 50	2007	FA374							31
		NKD 50	2008-2010	FA375		FA375HH					32
		Pacific 50	2008	SFA235	SFAC235						33
		RR 50 Castrol	2000-2002	FA167		FA167HH					34
		RR 50 Sport	2003-2006	FA115		FA115HH					35
		RR 50 Thunderfire	1997-2002	FA115		FA115HH					36
		RRX 50	2006-2009	FA115		FA115HH					37
		RRX 50 Spike	2003-2008	FA115		FA115HH					38
		RRX 50 Spike	2006-2009	FA115		FA115HH					39
		RS NKD 50 Scooter	2013-2015	SFA083	SFAC083	SFA083HH					40
		RS Sport 50 Scooter	2012-2015	SFA083	SFAC083	SFA083HH					41
		RS1 50	1997-2000	FA115		FA115HH					42
		RS1 50	2001-2004	FA167		FA167HH					43
		RS2 NKD	2005	FA194		FA194HH					44
		RS2 50 FR	2009-2010	FA375		FA375HH					45
		RS2 50 Matrix	2002-2008	FA374							46
		RS2 50 Matrix	2007-2009	FA375		FA375HH					47
		RS2 50 Pro	2006-2010	FA194		FA194HH					48
		RS2 50 Pro	2007-2010	FA375		FA375HH					49
		RS3 50 NKD	2012-2021	FA266		FA266HH					50
		RS3 50 Pro	Left 2011-2015			FA086HH					51
			Right	FA086		FA086HH					52
		RS3 50 R	2011-2021	FA374							53
		SMX 50	2002-2006	FA115		FA115R					54
		SMX 50	2007-2008	FA115		FA115HH					55
		SMX 50 Pro Street	2006-2008	FA194		FA194HH					56
		SMX 50 Pro Supermotard/Top	2004-2007	FA194		FA194HH					57
		Spike 50	2004-2006	FA115		FA115HH					58

*-2 Sets Required. † For Vee disc colours add RED, BLU, GRN, GLD, ORG suffix to part number.

⊗ - Also available as a Vintage Motorcycle Disc. ★ - EPFA available. ⚙ Disc made of Billet steel. ♦ CE solid discs for Enduro use.

346 Part numbers, prefixes, suffixes, photos and illustrations shown in this catalogue are trademarks and/or copyrights of EBC Brakes or the trademark owner A C Freeman Investments Ltd and use without express written permission of the owners is punishable by law.

Non-JAPANESE Built Motorcycles

Line #	BRAKE DISC CHOICES - FRONT			DISC PAD CHOICES - REAR				BRAKE DISC CHOICES - REAR					
	SMX Oversize 320mm Disc Kit Front Left	Front disc bolt kit	Front Brake Line	FA, SFA, TT Pad or Brake Shoe	SFAC Carbon Scooter Pads	Speciality Pads - SXR / Vee / MXS	Sintered HH/R Pads/ Grooved Shoes	Standard Replacement Disc	Contour Disc Rear Fitment	Vee Discs CONTOUR	CX Extreme MX Race Disc / UTVX Disc	Rear disc bolt kit	Rear Brake Line
1				FA431TT			FA431R						
2				FA270TT			FA270R						
3				FA482TT			FA482R						
4				FA067TT			FA067R	MD6348D					
5				FA067TT			FA067R	MD6348D					
6				FA270TT			FA270R						
7				FA344TT			FA344R						
8				FA344TT			FA344R						
9				FA171*			FA171HH*						
10				FA344TT			FA344R						
11				FA344TT			FA344R						
12				FA067TT*			FA067R						
13				FA344TT			FA344R						
14													
15				FA344TT			FA344R						
16				FA067TT			FA067R						
17				FA067TT			FA067R						
18				FA067TT			FA067R						
19				FA344TT			FA344R						
20				FA651TT*			FA651R*						
21													
22													
23													
24				SFA083	SFAC083		SFA083HH						
25				FA093									
26				FA093									
27				FA093									
28				FA093									
29				FA083TT			FA115R						
30				FA083TT			FA115HH						
31				FA083TT			FA367/2R						
32				FA115			FA115HH						
33				FA115			FA115HH						
34				FA093			FA115HH						
35				Y530			FA115HH						
36				FA115			FA115HH						
37				FA115			FA115HH						
38				FA115			FA115HH						
39				FA115			FA115HH						
40				FA115			FA115HH						
41				FA115			FA115HH						
42				SFA193	SFAC193		SFA193HH						
43				SFA193	SFAC193		SFA193HH						
44				FA115			FA115HH						
45				FA115			FA115HH						
46				FA115			FA115HH						
47				FA093									
48				FA350			FA350HH						
49				FA093			FA350HH						
50				FA350			FA350HH						
51				FA093			FA350HH						
52				FA083TT			FA083HH						
53				FA115									
54				FA093									
55				FA093									
56				FA115			FA115R						
57				FA115			FA115HH						
58				FA115			FA115HH						
59				FA115			FA115HH						
60				FA115			FA115HH						

REAR / ARRIÈRE / HINTEN / POSTERIOR / POSTERIORE

R Suffix = High Durability Sintered Pad. **HH** Suffix = High Performance Sintered Pad. **TT** Suffix = Hard Wearing Off Road Pad. **V** Suffix = Semi Sintered Pad. **G** Suffix = Grooved Shoe.
D Suffix = Drilled Disc. **X** Suffix = Universal Left or Right Disc. **XC** Suffix = Contoured Disc. **LS** Suffix = Left/Steel Disc. **RS** = Right/Steel Disc.

*-2 Sets Required. † For Vee disc colours add RED, BLU, GRN, GLD, ORG suffix to part number.

⊙ - Also available as a Vintage Motorcycle Disc. ★ - EPFA available. ⊕ Disc made of Billet steel. ◆ CE solid discs for Enduro use.

Part numbers, prefixes, suffixes, photos and illustrations shown in this catalogue are trademarks and/or copyrights of EBC Brakes or the trademark owner A C Freeman Investments Ltd and use without express written permission of the owners is punishable by law.

Non-JAPANESE Built Motorcycles



RIEJU Contd.



DISC PAD CHOICES - FRONT

BRAKE DISC CHOICES - FRONT

R Suffix = High Durability Sintered Pad. **HH** Suffix = High Performance Sintered Pad. **TT** Suffix = Hard Wearing Off Road Pad. **V** Suffix = Semi Sintered Pad. **G** Suffix = Grooved Shoe.

D Suffix = Drilled Disc. **X** Suffix = Universal Left or Right Disc. **XS** Suffix = Contoured Disc. **LS** Suffix = Left/Steel Disc. **RS** = Right/Steel Disc.

FRONT / AVANT / VORN / FRENTE / ANTERIORE

		FA, SFA, TT Pad or Brake Shoe	SFAC Carbon Scooter Pads	Speciality Pads - SXR / Vee / MXS	Sintered/HH Pads/ Grooved Shoes	Standard Replacement Discs	Contour Disc Universal Left and Right	Vee-Discs Black † See note below	CX Extreme Disc / UTVX Disc	OSX Oversize 250mm or 280mm	Line #
Spike 50 Pro	2004	FA167			FA167HH						1
Spike X50	2006-2007	FA115			FA115HH						2
Tango 50	2007-2012	FA266			FA266HH						3
Tango 50	2011	FA093									4
Tango 50	2013-2015	FA465TT		MXS465	FA465R						5
Tango 50 Motard	2009-2010	FA093									6
Tango 50 Motard	2011	FA093									7
Toreo 50	2007-2008	SFA235	SFAC235								8
Urban Blast 50	2013-2015	SFA083	SFAC083								9
Adventura 125	2023-2024	FA731TT			FA731R						10
Cityline 125 ie	2013-2015	SFA353	SFAC353		SFA353HH						11
Marathon 125	2010-2015	FA093									12
Marathon 125 SM	2010-2015	FA093									13
Marathon Pro 125	2009-2023	FA266			FA266HH						14
Marathon Pro 125 Competizione	2011-2014	FA465TT		MXS465	FA465R						15
Marathon Pro 125 Supermotard	2009-2021	FA266			FA266HH						16
MRT 125 LC	2022-2023	FA266			FA266HH						17
MRX 125	2002-2008	FA167			FA167HH						18
NKD 125	2006-2007	FA374									19
NKD 125	2008-2010	FA375			FA375HH						20
Pacific 125 Scooter	2008	SFA235	SFAC235								21
Pacific 125 Scooter	2009	SFA235	SFAC235								22
RS2 125	2006-2010	FA374									23
RS2 125	2007-2010	FA375			FA375HH						24
RS2 125 Pro	2007-2010	FA375			FA375HH						25
RS3 125cc NKD	2011-2021	FA266			FA266HH						26
RS3 125cc Sport	2011-2021	FA374									27
SMX 125	2002-2007	FA167			FA167HH						28
SMX 125	2007-2008	FA266			FA266HH						29
Tango 125	2006-2010	FA266			FA266HH						30
Tango 125	2011-2023	FA465TT		MXS465	FA465R						31
Tango 125 Motard	2008-2009	FA266			FA266HH						32
Tango 125 Pro	2007-2010	FA266			FA266HH						33
Marathon 200 Pro SM	2011-2015	FA266			FA266HH						34
MR Pro 200/250/300cc 2T	2019-2022	FA181TT		MXS181	FA181R						35
MR Pro 250/300cc 2T	2023-2024	FA181TT		MXS181	FA181R						36
MR Racing 200/250/300cc 2T	2019-2022	FA181TT		MXS181	FA181R						37
MR Racing 250/300cc 2T	2023-2024	FA181TT		MXS181	FA181R						38
MR Ranger 200/250/300cc 2T	2019-2022	FA181TT		MXS181	FA181R						39
MR Ranger 200/300cc 2T	2023-2024	FA181TT		MXS181	FA181R						40
Marathon 250	2009-2010	FA181TT		MXS181	FA181R						41
Tango 250	2008-2011	FA266			FA266HH						42
Tango 250	Left 2012-2015	FA465TT		MXS465	FA465R						43
	Right										44
Cityline 300 ie	2014-2015	SFA353	SFAC353								45
Marathon 450	2009-2010	FA181TT		MXS181	FA181R						46
Adventura 500	2023-2024	FA244			FA244HH						47
											48
											49
ROXON											50
Duel 50 SM	2006	FA115			FA115HH						51
Duel 50 SM	2006	FA115			FA115HH						52
Duel 50 TT	2006	FA115			FA115HH						53
Fox 50 Quad	2004-2006	H338*			H338G*						54
Go-Kart Enfant X-Cube	2006										55
Silver Fox 50 Quad	2004-2006										56
Fox 100 Quad	2004-2006										57
RX 150 Quad	2004-2006										58
Sport Spirit NFS 150 Quad	2004-2006										59
											60

*-2 Sets Required. † For Vee disc colours add RED, BLU, GRN, GLD, ORG suffix to part number.

⊗ - Also available as a Vintage Motorcycle Disc. ★ - EPFA available. ⚙ Disc made of Billet steel. ♦ CE solid discs for Enduro use.

348 Part numbers, prefixes, suffixes, photos and illustrations shown in this catalogue are trademarks and/or copyrights of EBC Brakes or the trademark owner A C Freeman Investments Ltd and use without express written permission of the owners is punishable by law.

Non-JAPANESE Built Motorcycles

Line #	BRAKE DISC CHOICES - FRONT			DISC PAD CHOICES - REAR				BRAKE DISC CHOICES - REAR					
	SMX Oversize 320mm Disc Kit Front Left	Front disc bolt kit	Front Brake Line	FA, SFA, TT Pad or Brake Shoe	SFAC Carbon Scooter Pads	Speciality Pads - SXR / Vee / MXS	Sintered HH/R Pads/ Grooved Shoes	Standard Replacement Disc	Contour Disc Rear Fitment	Vee Discs CONTOUR	CX Extreme MX Race Disc / UTVX Disc	Rear disc bolt kit	Rear Brake Line
1				FA115			FA115HH						
2				FA115			FA115HH						
3				FA350			FA350HH						
4				FA093			FA350HH						
5				FA350			FA350HH						
6				FA350			FA350HH						
7				FA350			FA350HH						
8													
9				Y530			FA115HH						
10				FA368TT			FA368R						
11				SFA266			SFA266HH						
12				FA093									
13				FA093									
14				FA093									
15				FA093			FA367/2R						
16				FA093									
17				FA093									
18				FA083TT			FA115HH						
19				FA083TT			FA350HH						
20				FA083TT									
21				FA083TT									
22				FA083TT									
23				FA083TT			FA350HH						
24				FA350TT									
25				FA350TT									
26				FA083TT			FA083HH						
27				FA083TT			FA083HH						
28				FA350			FA350HH						
29				FA350			FA350HH						
30				FA350			FA350HH						
31				FA350TT									
32				FA093									
33				FA350			FA350HH						
34				FA093									
35				FA368TT		MXS368	FA368R						
36				FA368TT		MXS368	FA368R						
37				FA368TT		MXS368	FA368R						
38				FA368TT		MXS368	FA368R						
39				FA368TT		MXS368	FA368R						
40				FA368TT		MXS368	FA368R						
41				FA368TT		MXS368	FA368R						
42				FA350			FA350HH						
43				FA368TT									
44				FA350TT									
45				SFA266			SFA266HH						
46				FA368TT		MXS368	FA368R						
47				FA209/2			FA209/2HH						
48													
49													
50				FA115			FA115HH						
51				FA115			FA115HH						
52				FA115			FA115HH						
53				H307			H307G						
54				FA083TT			FA083R						
55				FA083TT			FA083R						
56				FA083TT			FA083R						
57				FA083TT			FA083R						
58				FA083TT			FA083R						
59													
60													

REAR / ARRIÈRE / HINTEN / POSTERIOR / POSTERIORE

R Suffix = High Durability Sintered Pad. **HH** Suffix = High Performance Sintered Pad. **TT** Suffix = Hard Wearing Off Road Pad. **V** Suffix = Semi Sintered Pad. **G** Suffix = Grooved Shoe.
D Suffix = Drilled Disc. **X** Suffix = Universal Left or Right Disc. **XC** Suffix = Contoured Disc. **LS** Suffix = Left/Steel Disc. **RS** = Right/Steel Disc.

*-2 Sets Required. † For Vee disc colours add RED, BLU, GRN, GLD, ORG suffix to part number.

⊙ - Also available as a Vintage Motorcycle Disc. ★ - EPFA available. ⚙ Disc made of Billet steel. ♦ CE solid discs for Enduro use.

Part numbers, prefixes, suffixes, photos and illustrations shown in this catalogue are trademarks and/or copyrights of EBC Brakes or the trademark owner A C Freeman Investments Ltd and use without express written permission of the owners is punishable by law.

Non-JAPANESE Built Motorcycles



ROYAL ENFIELD



DISC PAD CHOICES - FRONT

BRAKE DISC CHOICES - FRONT

FRONT / AVANT / VORN / FRENTE / ANTERIORE

		FA, SFA, TT Pad or Brake Shoe	SFAC Carbon Scooter Pads	Speciality Pads - SXR / Vee / MXS	Sintered/HH Pads/ Grooved Shoes	Standard Replacement Discs	Contour Disc Universal Left and Right	Vee-Discs Black † See note below	CX Extreme Disc / UTVX Disc	OSX Oversize 250mm or 280mm	Line #
Bullet 350 Classic	2021-2024	FA181TT			FA181HH	MD8026					1
Bullet 350 EFI/Dual Seat	2009-2015	FA228			FA228HH						2
Bullet 350 EFI/Dual Seat/2 Pin pad	2009-2015	FA228			FA228HH						3
Bullet 350 Meteor	2021-2024	FA181TT			FA181HH	MD8026					4
Hunter 350	2022-2024	FA181TT			FA181HH						5
Himalayan 410cc	2016-2023	FA181TT			FA181HH						6
Scram 411 410cc	2022-2024	FA181TT			FA181HH						7
Himilayan 450cc New	2024	FA181TT			FA181HH						8
Bullet 500 EFI/Dual Seat	2009-2015	FA228			FA228HH						9
Bullet 500 EFI/Single Seat	2016-2018	FA181TT			FA181HH						10
Bullet Electra X All disc models/Dual Seat	2005-2015	FA228			FA228HH						11
Classic 500 Battle Green EFI/Single Seat	2009-2015	FA228			FA228HH						12
Classic 500 Chrome EFI/Single Seat	2009-2015	FA228			FA228HH						13
Classic 500 Desert Storm FI/Single Seat	2012-2015	FA228			FA228HH						14
Classic 500 EFI/Single Seat	2015-2021	FA228									15
Classic 500 EFI/Single Seat	2016-2020	FA181TT			FA181HH						16
Classic 500 EFI/Single Seat/ 2 Pin Pad	2009-2015	FA228			FA228HH						17
Classic Chrome 500 EFI/Single Seat	2016-2018	FA181TT			FA181HH						18
Clubman 500 EFI	2009-2012	FA228			FA228HH						19
Electra 500 EFI	2009-2014	FA228			FA228HH						20
Fury 500 EFI	2011-2012	FA228			FA228HH						21
Trials 500 EFI	2009-2012	FA228			FA228HH						22
Woodsman 500 EFI	2009-2012	FA228			FA228HH						23
Continental GT	2013-2016	FA209/2		FA209/2V	FA209/2HH★						24
Continental GT 650	2017-2023	FA209/2		FA209/2V	FA209/2HH★						25
Continental GT 650 Twin	2018-2023	FA209/2		FA209/2V	FA209/2HH★		MD898XC				26
Interceptor 650 Twin	2018-2023	FA209/2		FA209/2V	FA209/2HH★		MD898XC				27
ShotGun 650 Twin	2024	FA209/2		FA209/2V	FA209/2HH★	MD8027					28
Super Meteor 650 Twin	2022-2024	FA209/2		FA209/2V	FA209/2HH★	MD8027					29
											30
											31
											32
											33
											34
											35
											36
											37
											38
											39
											40
											41
											42
											43
											44
											45
											46
											47
											48
											49
											50
											51
											52
											53
											54
											55
											56
											57
											58
											59
											60

SACHS HERCULES

49ER 10	2007	SFA233									32
49ER 12	2008	SFA235	SFAC235								33
Bee 50	2008-2010	SFA101	SFAC101		SFA101HH						34
Madass 50	2004-2005	FA086			FA086HH						35
Madass 50	2004-2005	FA086			FA086HH						36
Madass 50	2006-2009	FA086			FA086HH						37
Speedforce 50	2008	SFA235	SFAC235								38
Speedjet 50	2008	SFA235	SFAC235								39
Bee 125	2008-2009	SFA101	SFAC101		SFA101HH						40
Dirty Devil 125	2008	FA351TT									41
Eagle 125	2008	FA086			FA086HH						42
Madass 125	2005	FA086			FA086HH	MD806LS					43
Madass 125	2006-2009	FA086			FA086HH	MD806LS					44
Speedjet RS 125	2010	SFA235	SFAC235								45
X Road 125	2006-2007	FA095									46
XTC 125 N	2000-2007	FA095			FA095HH★	MD619RS					47
XTC 125 Supersport	2000-2007	FA095			FA095HH★	MD619RS					48
ZX 125 Enduro	2001-2002	FA194			FA194HH						49
ZZ 125 Funbike	2002	SFA193	SFAC193		SFA193HH						50
Eagle 150	2008	FA086			FA086HH						51
SX-150	2008-2009	SFA235	SFAC235								52
Quattrocento 400	2008	FA142*			FA142HH*						53
Roadster 650	2001-2004	FA095			FA095HH★	MD683RS					54
Roadster 650	2005	FA095			FA095HH★	MD683RS					55
Roadster 800	2002-2005	FA095*			FA095HH*★	MD819*					56
B805	2003-2004	FA095*			FA095HH*★	MD819*					57
Roadster 125 V2	2000-2004	FA167			FA167HH						58
											59
											60

*-2 Sets Required. † For Vee disc colours add RED, BLU, GRN, GLD, ORG suffix to part number.

⊗ - Also available as a Vintage Motorcycle Disc. ★ - EPFA available. ⚙ - Disc made of Billet steel. ♦ - CE solid discs for Enduro use.

350 Part numbers, prefixes, suffixes, photos and illustrations shown in this catalogue are trademarks and/or copyrights of EBC Brakes or the trademark owner A C Freeman Investments Ltd and use without express written permission of the owners is punishable by law.

Non-JAPANESE Built Motorcycles

Line #	BRAKE DISC CHOICES - FRONT			DISC PAD CHOICES - REAR				BRAKE DISC CHOICES - REAR					
	SMX Oversize 320mm Disc Kit Front Left	Front disc bolt kit	Front Brake Line	FA, SFA, TT Pad or Brake Shoe	SFAC Carbon Scooter Pads	Speciality Pads - SXR / Vee / MXS	Sintered HH/R Pads/ Grooved Shoes	Standard Replacement Disc	Contour Disc Rear Fitment	Vee Discs CONTOUR	CX Extreme MX Race Disc / UTVX Disc	Rear disc bolt kit	Rear Brake Line
1				FA213			FA213HH★	MD8025					
2													
3													
4				FA213			FA213HH	MD8025					
5				FA213			FA213HH						
6				FA208TT			FA208R	MD894	MD894C				
7				FA208TT			FA208R	MD894	MD894C				
8				FA208TT			FA208R						
9													
10				FA213			FA213HH						
11				FA213									
12													
13													
14													
15				FA213			FA213HH						
16				FA213			FA213HH						
17													
18				FA213			FA213HH						
19													
20													
21													
22				FA213				MD894					
23				FA213				MD894					
24				FA213		FA213V	FA213HH	MD651					
25				FA213		FA213V	FA213HH	MD877					
26				FA213		FA213V	FA213HH	MD894	MD894C				
27				FA181		FA213V	FA181HH	MD894	MD894C				
28				FA181		FA181V	FA181HH	MD894	MD894C				
29				FA181		FA181V	FA181HH	MD894	MD894C				
30													
31													
32													
33													
34				921									
35				FA115			FA115HH						
36													
37				FA054TT			FA054HH						
38													
39													
40				Y506									
41				FA351TT									
42													
43				FA086			FA086HH						
44				FA054TT			FA054HH						
45				SFA260	SFAC260								
46				FA382				MD860					
47				FA382				MD815					
48				FA382				MD815					
49				FA382									
50				FA382									
51													
52													
53				SFA260			SFA260HH						
54				FA382				MD659					
55				FA101				MD659					
56				S626									
57				S626									
58				Y506									
59													
60													

REAR / ARRIÈRE / HINTEN / POSTERIOR / POSTERIORE

R Suffix = High Durability Sintered Pad. **HH** Suffix = High Performance Sintered Pad. **TT** Suffix = Hard Wearing Off Road Pad. **V** Suffix = Semi Sintered Pad. **G** Suffix = Grooved Shoe.
D Suffix = Drilled Disc. **X** Suffix = Universal Left or Right Disc. **XC** Suffix = Contoured Disc. **LS** Suffix = Left/Steel Disc. **RS** = Right/Steel Disc.

*-2 Sets Required. † For Vee disc colours add RED, BLU, GRN, GLD, ORG suffix to part number.

⊙ - Also available as a Vintage Motorcycle Disc. ★ - EPFA available. ⚙ Disc made of Billet steel. ◆ CE solid discs for Enduro use.

Part numbers, prefixes, suffixes, photos and illustrations shown in this catalogue are trademarks and/or copyrights of EBC Brakes or the trademark owner A C Freeman Investments Ltd and use without express written permission of the owners is punishable by law.

Non-JAPANESE Built Motorcycles

Line #	BRAKE DISC CHOICES - FRONT			DISC PAD CHOICES - REAR				BRAKE DISC CHOICES - REAR					
	SMX Oversize 320mm Disc Kit Front Left	Front disc bolt kit	Front Brake Line	FA, SFA, TT Pad or Brake Shoe	SFAC Carbon Scooter Pads	Speciality Pads - SXR / Vee / MXS	Sintered HH/R Pads/ Grooved Shoes	Standard Replacement Disc	Contour Disc Rear Fitment	Vee Discs CONTOUR	CX Extreme MX Race Disc / UTVX Disc	Rear disc bolt kit	Rear Brake Line
1				816									
2				816									
3				SFA298	SFAC298		SFA298HH						
4				SFA298	SFAC298		SFA298HH						
5				SFA298	SFAC298		SFA298HH						
6				SFA298	SFAC298		SFA298HH						
7				SFA298	SFAC298		SFA298HH						
8				SFA298	SFAC298		SFA298HH						
9				816									
10				816									
11				816									
12													
13													
14				TBC									
15				TBC									
16				SFA264									
17													
18													
19				FA351TT									
20				FA471									
21				FA351TT									
22				FA471									
23				FA351TT									
24				FA471									
25				FA351TT									
26				FA471									
27				FA351TT									
28				FA471									
29				FA083TT			FA083R						
30				FA350TT									
31				FA351TT									
32				FA351TT									
33				FA351TT									
34				FA471									
35				FA115TT			FA115R						
36				FA351TT									
37				FA471									
38				FA351TT									
39				FA471									
40				FA351TT									
41				FA471									
42				FA351TT									
43				FA471									
44				FA115TT		MXS115	FA115R						
45				FA351TT									
46				FA471									
47				FA351TT									
48				FA471									
49				FA351TT									
50				FA471									
51				FA351TT									
52				FA471									
53				FA351TT									
54				FA471									
55				FA351TT									
56				FA471									
57				FA351TT									
58				FA471									
59				FA351TT									
60				FA471									

REAR / ARRIÈRE / HINTEN / POSTERIOR / POSTERIORE

R Suffix = High Durability Sintered Pad. **HH** Suffix = High Performance Sintered Pad. **TT** Suffix = Hard Wearing Off Road Pad. **V** Suffix = Semi Sintered Pad. **G** Suffix = Grooved Shoe.
D Suffix = Drilled Disc. **X** Suffix = Universal Left or Right Disc. **XC** Suffix = Contoured Disc. **LS** Suffix = Left/Steel Disc. **RS** = Right/Steel Disc.

BRAKE APPLICATIONS

*-2 Sets Required. † For Vee disc colours add RED, BLU, GRN, GLD, ORG suffix to part number.

⊙ - Also available as a Vintage Motorcycle Disc. ★ - EPFA available. ⊕ Disc made of Billet steel. ◆ CE solid discs for Enduro use.

Part numbers, prefixes, suffixes, photos and illustrations shown in this catalogue are trademarks and/or copyrights of EBC Brakes or the trademark owner A C Freeman Investments Ltd and use without express written permission of the owners is punishable by law.

Non-JAPANESE Built Motorcycles



SCORPA Contd.



SY 250 Long Ride	2004-2006
SY 250 Long Ride	2004-2006
T-Ride 250 F Enduro	2008-2011
Twenty 250	2015
SR 280	2009-2014
SR 280	2009-2014
SR 280 Long Ride	2009-2011
SR 280 Long Ride	2009-2011
T-Ride 280 Enduro	2012-2015
Twenty 300	2015
Raidster 660	2007
Raidster 660	2007

SEGWAY

Snarler Quad	2021-2023
--------------	-----------

SFM

Bee 50	2014-2015
Speedjet 50	2014-2015
Speedjet R 50	2014-2015
Bee 125	2014-2015
ZX 125 Enduro	2013-2015
ZX 125 Enduro	2013-2015
ZZ 125 SM	2013-2015
ZZ 125 SM	2013-2015
Speedjet RS3 50	2014-2015
SFM 125 8A Roadster	2013-2015

SHERCO

50 SE-R	2014-2015
50 SM-R	2014-2015
50cc Americas SM-R	2019-2022
50cc Americas SM-RS	2019-2022
50cc Factory Red One SM-R	2022
50cc Factory SE-R	2019-2022
50cc Factory SE-RS	2019-2022
50cc Factory Silver SM-R	2022
50cc Factory SM-R	2019-2021
50cc Factory SM-RS	2019-2021
Enduro 50cc	2002-2007
Enduro 50cc Urban/SU	2008-2013
SU 50 Urban Base	2010
Supermotard 50cc	2002-2007
Supermotard 50cc	2008-2013
ST 80	2013-2014
ST 80	2014-2015
Trials 0.8	2001-2004
Trials 0.8	2005-2010
125 SC-Factory	2019-2023
125 SE-Factory	2019-2024
125 SE-R	2019-2023
125 ST-R	2018-2019
125 TY Classic	2018-2019
125 X-Ride	2019-2021
125 X-Ride	2012-2015
City Corp 125 All models	2003-2007
City Corp 125 All models	2008
FST 125	2018-2019
SE 1.25 F Enduro	2010-2012
SM 1.25 i F Black Panther	2010-2012

FA, SFA, TT Pad or Brake Shoe	SFAC Carbon Scooter Pads	Speciality Pads - SXR / Vee / MXS	Sintered/HH Pads/ Grooved Shoes	BRAKE DISC CHOICES - FRONT					Line #
				Standard Replacement Discs	Contour Disc Universal Left and Right	Vee-Discs Black † See note below	CX Extreme Disc / UTVX Disc	OSX Oversize 250mm or 280mm	
FA303TT									1
FA303TT									2
FA465TT		MXS465	FA465R						3
FA303TT									4
FA303TT									5
FA303TT									6
FA303TT									7
FA303TT									8
FA083TT			FA083R						9
FA303TT									10
FA244			FA244HH★						11
FA244			FA244HH★						12
									13
			FA763R*						14
									15
									16
SFA101	SFAC101		SFA101HH						17
SFA235	SFAC235								18
SFA235	SFAC235								19
SFA101	SFAC101		SFA101HH						20
FA086			FA086HH						21
FA228			FA228HH						22
FA086			FA086HH						23
FA228			FA228HH						24
SFA235	SFAC235								25
FA228			FA228HH						26
									27
									28
									29
FA083TT			FA083R						30
FA083TT			FA083R						31
FA083TT			FA083R						32
FA083TT			FA083R						33
FA083TT			FA083R						34
FA083TT			FA083R						35
FA083TT			FA083R						36
FA083TT			FA083R						37
FA083TT			FA083R						38
FA083TT			FA083R						39
FA167			FA167HH						40
FA194			FA194HH						41
FA093									42
FA167			FA167HH						43
FA194			FA194HH						44
FA612TT			FA612R						45
FA303TT									46
FA115TT		MXS115	FA115R						47
FA303TT									48
FA181TT		MXS181	FA181R	MD6429D	MD6429C		MD6429CX		49
FA181TT		MXS181	FA181R	MD6429D	MD6429C		MD6429CX		50
FA181TT		MXS181	FA181R	MD6429D	MD6429C		MD6429CX		51
FA303TT									52
FA303TT									53
FA083TT		MXS181	FA083R		MD6429C				54
FA083TT			FA083R						55
FA167			FA167HH						56
FA194			FA194HH						57
FA303TT									58
FA194			FA194HH						59
FA194			FA194HH						60

FRONT / AVANT / VORN / FRENTE / ANTERIORE

R Suffix = High Durability Sintered Pad. HH Suffix = High Performance Sintered Pad. TT Suffix = Hard Wearing Off Road Pad. V Suffix = Semi Sintered Pad. G Suffix = Grooved Shoe.
D Suffix = Drilled Disc. X Suffix = Universal Left or Right Disc. XC Suffix = Contoured Disc. LS Suffix = Left/Steel Disc. RS = Right/Steel Disc.

*-2 Sets Required. † For Vee disc colours add RED, BLU, GRN, GLD, ORG suffix to part number.

⊗ - Also available as a Vintage Motorcycle Disc. ★ - EPFA available. ⚙ Disc made of Billet steel. ♦ CE solid discs for Enduro use.

Non-JAPANESE Built Motorcycles

Line #	BRAKE DISC CHOICES - FRONT			DISC PAD CHOICES - REAR				BRAKE DISC CHOICES - REAR					
	SMX Oversize 320mm Disc Kit Front Left	Front disc bolt kit	Front Brake Line	FA, SFA, TT Pad or Brake Shoe	SFAC Carbon Scooter Pads	Speciality Pads - SXR / Vee / MXS	Sintered HH/R Pads/ Grooved Shoes	Standard Replacement Disc	Contour Disc Rear Fitment	Vee Discs CONTOUR	CX Extreme MX Race Disc / UTVX Disc	Rear disc bolt kit	Rear Brake Line
1				FA351TT									
2				FA471									
3				FA350TT									
4				FA351TT									
5				FA351TT									
6				FA471									
7				FA351TT									
8				FA471									
9				FA083TT			FA083R						
10				FA351TT									
11				FA351TT									
12				FA471									
13													
14													
15							FA764R*						
16													
17													
18													
19													
20													
21													
22				FA197			FA197HH★						
23				FA197			FA197HH★						
24				FA197			FA197HH★						
25				FA197			FA197HH★						
26				SFA260	SFAC260		SFA260HH						
27				Y527									
28													
29													
30				FA083TT			FA083R						
31				FA083TT			FA083R						
32				FA083TT			FA083R						
33				FA083TT			FA083R						
34				FA083TT			FA083R						
35				FA083TT			FA083R						
36				FA083TT			FA083R						
37				FA083TT			FA083R						
38				FA083TT			FA083R						
39				FA083TT			FA083R						
40				FA115			FA115HH						
41				FA350			FA350HH						
42				FA350									
43				FA115			FA115HH						
44				FA350			FA350HH						
45				FA351TT									
46				FA351TT									
47				FA351TT									
48				FA351TT									
49				FA368TT		MXS368	FA368R		MD6430C		MD6430CX♦		
50				FA368TT			FA368R		MD6430C		MD6430CX♦		
51				FA368TT		MXS368	FA368R		MD6430C		MD6430CX♦		
52				FA351TT									
53				FA351TT									
54				FA083TT			FA083R						
55				FA083TT			FA083R						
56				FA115			FA115HH						
57				FA350			FA350HH						
58				FA351TT									
59				FA350			FA350HH						
60				FA350			FA350HH						

REAR / ARRIÈRE / HINTEN / POSTERIOR / POSTERIORE

R Suffix = High Durability Sintered Pad. **HH** Suffix = High Performance Sintered Pad. **TT** Suffix = Hard Wearing Off Road Pad. **V** Suffix = Semi Sintered Pad. **G** Suffix = Grooved Shoe.
D Suffix = Drilled Disc. **X** Suffix = Universal Left or Right Disc. **XC** Suffix = Contoured Disc. **LS** Suffix = Left/Steel Disc. **RS** = Right/Steel Disc.

*-2 Sets Required. † For Vee disc colours add RED, BLU, GRN, GLD, ORG suffix to part number.

⊙ - Also available as a Vintage Motorcycle Disc. ★ - EPFA available. ⚙ Disc made of Billet steel. ♦ CE solid discs for Enduro use.

Part numbers, prefixes, suffixes, photos and illustrations shown in this catalogue are trademarks and/or copyrights of EBC Brakes or the trademark owner A C Freeman Investments Ltd and use without express written permission of the owners is punishable by law.

Non-JAPANESE Built Motorcycles



SHERCO Contd.



DISC PAD CHOICES - FRONT

BRAKE DISC CHOICES - FRONT

R Suffix = High Durability Sintered Pad. **HH** Suffix = High Performance Sintered Pad. **TT** Suffix = Hard Wearing Off Road Pad. **V** Suffix = Semi Sintered Pad. **G** Suffix = Grooved Shoe.
D Suffix = Drilled Disc. **X** Suffix = Universal Left or Right Disc. **XC** Suffix = Contoured Disc. **LS** Suffix = Left/Steel Disc. **RS** = Right/Steel Disc.

FRONT / AVANT / VORN / FRENTE / ANTERIORE

		FA, SFA, TT Pad or Brake Shoe	SFAC Carbon Scooter Pads	Speciality Pads - SXR / Vee / MXS	Sintered/HH Pads/ Grooved Shoes	Standard Replacement Discs	Contour Disc Universal Left and Right	Vee-Discs Black † See note below	CX Extreme Disc / UTVX Disc	OSX Oversize 250mm or 280mm	Line #
ST 125	2013-2014	FA612TT			FA612R						1
ST 125	2014-2015	FA303TT									2
Trials 1.25cc	1999-2005	FA115TT		MXS115	FA115R						3
Trials 1.25cc	2006-2012	FA303TT									4
XY 125	2014-2015	FA303TT									5
Trials 2.0cc	1999-2005	FA115TT		MXS115	FA115R						6
250 Factory ST	2018-2019	FA303TT									7
250 SC-Factory	2019-2021	FA181TT		MXS181	FA181R	MD6429D	MD6429C		MD6429CX		8
250 SCF-Factory	2019-2021	FA181TT		MXS181	FA181R	MD6429D	MD6429C		MD6429CX		9
250 SEF	2013-2015	FA181TT		MXS181	FA181R						10
250 SE-Factory 2T	2019-2024	FA181TT		MXS181	FA181R	MD6429D	MD6429C		MD6429CX		11
250 SEF-Factory 4T	2019-2024	FA181TT		MXS181	FA181R	MD6429D	MD6429C		MD6429CX		12
250 SEF-R	2019-2021	FA181TT		MXS181	FA181R	MD6429D	MD6429C		MD6429CX		13
250 SEF-R	2013-2015	FA181TT		MXS181	FA181R						14
250 SE-R	2019-2021	FA181TT		MXS181	FA181R	MD6429D	MD6429C		MD6429CX		15
250 SE-Racing	2021-2023	FA181TT		MXS181	FA181R	MD6429D	MD6429C		MD6429CX		16
250 SE-Racing	2021-2023	FA181TT		MXS181	FA181R	MD6429D	MD6429C		MD6429CX		17
250 ST-R	2018-2019	FA303TT									18
Enduro 2.5i Inc. SE Models	2008-2011	FA181TT		MXS181	FA181R						19
SE 250i	2012-2015	FA181TT		MXS181	FA181R		MD6385C				20
SM 2.5i Supermotard	2008	FA181TT		MXS181	FA181R						21
ST 250	2013-2014	FA612TT			FA612R						22
ST 250	2014-2015	FA303TT									23
SX 2.5i F Moto Cross	2010	FA181TT		MXS181	FA181R						24
Trials 2.5	1999-2005	FA115TT		MXS115	FA115R						25
Trials 2.5	2006-2012	FA303TT									26
ST 290	2013-2014	FA612TT			FA612R						27
ST 290	2014-2015	FA303TT									28
ST 290 Cabestany	2012	FA612TT			FA612R						29
Trials 2.9	1999-2005	FA115TT		MXS115	FA115R						30
Trials 2.9	2006-2012	FA303TT									31
X-Ride 290	2012-2015	FA083TT			FA083R						32
300 FST	2018-2019	FA303TT		MXS181							33
300 SC-Factory	2019-2023	FA181TT		MXS181	FA181R						34
300 SCF-Factory	2019-2022	FA181TT		MXS181	FA181R	MD6429D	MD6429C		MD6429CX		35
300 SE-Factory 2T	2019-2024	FA181TT		MXS181	FA181R	MD6429D	MD6429C		MD6429CX		36
300 SEF-Factory 4T	2019-2024	FA181TT		MXS181	FA181R	MD6429D	MD6429C		MD6429CX		37
300 SEF-R	2019-2023	FA181TT		MXS181	FA181R	MD6429D	MD6429C		MD6429CX		38
300 SEF-Racing	2019-2023	FA181TT		MXS181	FA181R	MD6429D	MD6429C		MD6429CX		39
300 SEF-Racing	2019-2023	FA181TT		MXS181	FA181R	MD6429D	MD6429C		MD6429CX		40
300 SE-R	2019-2021	FA181TT		MXS181	FA181R	MD6429D	MD6429C		MD6429CX		41
300 SE-Racing	2019-2023	FA181TT		MXS181	FA181R	MD6429D	MD6429C		MD6429CX		42
300 SE-Racing	2019-2023	FA181TT		MXS181	FA181R	MD6429D	MD6429C		MD6429CX		43
300 ST-R	2018-2019	FA303TT		MXS181							44
SE 3.0i Enduro	2010-2011	FA181TT		MXS181	FA181R						45
SE 300i	2012-2015	FA181TT		MXS181	FA181R		MD6385C				46
SEF 300	2013-2015	FA181TT		MXS181	FA181R						47
SEF-R 300	2013-2015	FA181TT		MXS181	FA181R						48
SE-R 300	2012-2015	FA181TT		MXS181	FA181R		MD6385C				49
ST 305	2013-2015	FA612TT			FA612R						50
ST 305	2014-2015	FA303TT									51
Trials 3.2cc	2005-2012	FA303TT									52
450 SCF-Factory	2019-2022	FA181TT		MXS181	FA181R	MD6429D	MD6429C		MD6429CX		53
450 SEF-Factory	2019-2024	FA181TT		MXS181	FA181R	MD6429D	MD6429C		MD6429CX		54
450 SE-R	2019-2021	FA181TT		MXS181	FA181R	MD6429D	MD6429C		MD6429CX		55
Enduro 4.5i Inc. SE Models	2004-2011	FA181TT		MXS181	FA181R						56
SE 450i R	2012-2013	FA181TT		MXS181	FA181R						57
SEF 450	2014-2015	FA181TT		MXS181	FA181R						58
SEF-R 450	2014-2015	FA181TT		MXS181	FA181R						59
SM 4.5i F Black Panther	2008-2012				FA322/4HH★						60

*-2 Sets Required. † For Vee disc colours add RED, BLU, GRN, GLD, ORG suffix to part number.

⊗ - Also available as a Vintage Motorcycle Disc. ★ - EPFA available. ⊕ Disc made of Billet steel. ◆ CE solid discs for Enduro use.

Non-JAPANESE Built Motorcycles

Line #	BRAKE DISC CHOICES - FRONT			DISC PAD CHOICES - REAR				BRAKE DISC CHOICES - REAR					
	SMX Oversize 320mm Disc Kit Front Left	Front disc bolt kit	Front Brake Line	FA, SFA, TT Pad or Brake Shoe	SFAC Carbon Scooter Pads	Speciality Pads - SXR / Vee / MXS	Sintered HH/R Pads/ Grooved Shoes	Standard Replacement Disc	Contour Disc Rear Fitment	Vee Discs CONTOUR	CX Extreme MX Race Disc / UTVX Disc	Rear disc bolt kit	Rear Brake Line
1				FA351TT									
2				FA351TT									
3				FA115TT		MXS115	FA115R						
4				FA351TT									
5				FA351TT									
6				FA115TT		MXS115	FA115R						
7				FA351TT									
8				FA368TT		MXS368	FA368R		MD6430C		MD6430CX♦		
9				FA368TT		MXS368	FA368R		MD6430C		MD6430CX♦		
10				FA368TT		MXS368	FA368R						
11				FA368TT		MXS368	FA368R		MD6430C		MD6430CX♦		
12				FA368TT		MXS368	FA368R		MD6430C		MD6430CX♦		
13				FA368TT		MXS368	FA368R		MD6386C		MD6430CX♦		
14				FA368TT		MXS368	FA368R						
15				FA368TT		MXS368	FA368R		MD6430C		MD6430CX♦		
16				FA368TT		MXS368	FA368R		MD6430C		MD6430CX♦		
17				FA368TT		MXS368	FA368R		MD6430C		MD6430CX♦		
18				FA351TT									
19				FA367TT		MXS367	FA367R						
20				FA368TT		MXS368	FA368R						
21				FA367TT		MXS367	FA367R						
22				FA351TT									
23				FA351TT									
24				FA367TT		MXS367	FA367R						
25				FA115TT		MXS115	FA115R						
26				FA351TT									
27				FA351TT									
28				FA351TT									
29				FA351TT									
30				FA115TT		MXS115	FA115R						
31				FA351TT									
32				FA083TT			FA083R						
33				FA351TT									
34				FA368TT		MXS368	FA368R						
35				FA368TT		MXS368	FA368R		MD6386C				
36				FA368TT		MXS368	FA368R						
37				FA368TT		MXS368	FA368R		MD6430C		MD6430CX♦		
38				FA368TT		MXS368	FA368R		MD6430C		MD6430CX♦		
39				FA368TT		MXS368	FA368R		MD6430C		MD6430CX♦		
40				FA368TT		MXS368	FA368R		MD6430C		MD6430CX♦		
41				FA368TT		MXS368	FA368R						
42				FA368TT		MXS368	FA368R		MD6430C		MD6430CX♦		
43				FA368TT		MXS368	FA368R		MD6430C		MD6430CX♦		
44				FA351TT									
45				FA367TT		MXS367	FA367R						
46				FA368TT		MXS368	FA368R						
47				FA368TT		MXS368	FA368R						
48				FA368TT		MXS368	FA368R						
49				FA368TT		MXS368	FA368R						
50				FA351TT									
51				FA351TT									
52				FA351TT									
53				FA368TT		MXS368	FA368R		MD6430C		MD6430CX♦		
54				FA368TT		MXS368	FA368R		MD6430C		MD6430CX♦		
55				FA368TT		MXS368	FA368R		MD6430C		MD6430CX♦		
56				FA367TT		MXS367	FA367R						
57				FA367TT		MXS367	FA367R						
58				FA368TT		MXS368	FA368R						
59				FA368TT		MXS368	FA368R						
60				FA367TT		MXS367	FA367R						

REAR / ARRIÈRE / HINTEN / POSTERIOR / POSTERIORE

R Suffix = High Durability Sintered Pad. **HH** Suffix = High Performance Sintered Pad. **TT** Suffix = Hard Wearing Off Road Pad. **V** Suffix = Semi Sintered Pad. **G** Suffix = Grooved Shoe.
D Suffix = Drilled Disc. **X** Suffix = Universal Left or Right Disc. **XC** Suffix = Contoured Disc. **LS** Suffix = Left/Steel Disc. **RS** = Right/Steel Disc.

BRAKE APPLICATIONS

*-2 Sets Required. † For Vee disc colours add RED, BLU, GRN, GLD, ORG suffix to part number.

⊙ - Also available as a Vintage Motorcycle Disc. ★ - EPFA available. Ⓢ Disc made of Billet steel. ♦ CE solid discs for Enduro use.

Part numbers, prefixes, suffixes, photos and illustrations shown in this catalogue are trademarks and/or copyrights of EBC Brakes or the trademark owner A C Freeman Investments Ltd and use without express written permission of the owners is punishable by law.

Non-JAPANESE Built Motorcycles



SHERCO Contd.

SM 4.5i F Supermotard	2004-2010
500 SCF-Factory	2019-2022
500 SEF-Factory	2019-2024
500 SEF-R	2019-2021
SM 0.5cc Black Panther	2008-2010
Enduro 5.1iF Inc. SE Models	2007-2011
SE 510i R	2012-2013
SM 5.1i F Black Panther	2008-2012
SM 5.1i F Supermotard	2007

SIAMOTO

Birdie 50	2002-2004
Mat 50	1997-2001
Scross 50	1997-2001
Mat 100	1997-2001
Favorite 125	2002-2004
KD 125	2000-2004
Geco 250	2004
SX1 125	2004

SILENCE ELECTRIC

S01	2021
S02	2021
S02 LS	2021

SINNIS

LJ 50 QT-H	2012-2014
LJ 50 QT-H	2012-2014
QM 50 10A B Hawk	2008-2010
QM 50 QT-2T Falcon	2008-2014
QM 50 QT-6A Jet 50	2008-2010
QM 50 T-10R Eagle 50	2010-2012
WY 50 QT-39A Ghost	2006-2010
ZN 50 QT-30A Strada 50	2012-2014
Apache 125 SM	2015-2021
Apache 125 SMR	2017-2021
Blade X 125 R	2015-2020
Hoodlum 125 ZS125-79	2017-2020
JS 125 6C - SC 125	2012-2014
JS 125 6C - SC 125	2013-2014
QM 125 2C Vista 125	2008-2014
QM 125 2D Stealth 125	2008-2014
QM 125 2V Max 125	2008-2010
QM 125 2V2 Max 11 125	2012-2014
QM 125 GY Apache 125	2009-2014
QM 125 GY-2B A Apache 125	2009-2014
QM 125 GY-2B Blade 125	2009-2014
QM 125 GY-2D Trackstar 125 4T	2010-2014
QM 125 GY-2X - Café 125	2012-2014
QM 125 GY-2XR Retrostar 125	2012-2014
QM 125 T-10H Matrix II	2010-2014
QM 125 T-10R Eagle 125	2010-2014
QM 125 T-8G Ecocity 125	2007-2014
QM 125 T-Matrix	2010
RSX 125 ZS125-80	2019-2020
Shuttle 125 ZN125T-7S	2016-2021
Terrain 125 ZS125-86	2017-2020
WY 125 T-56A Nitro 125	2009-2010
ZN 125 T-22 Harrier 125	2012-2014
ZN 125 T-ES Spirit 125	2012-2014

DISC PAD CHOICES - FRONT				BRAKE DISC CHOICES - FRONT					Line #
FA, SFA, TT Pad or Brake Shoe	SFAC Carbon Scooter Pads	Speciality Pads - SXR / Vee / MXS	Sintered/HH Pads/ Grooved Shoes	Standard Replacement Discs	Contour Disc Universal Left and Right	Vee-Discs Black † See note below	CX Extreme Disc / UTVX Disc	OSX Oversize 250mm or 280mm	
FA181TT		MXS181	FA181R						1
FA181TT		MXS181	FA181R	MD6429D	MD6429C		MD6429CX		2
FA181TT		MXS181	FA181R	MD6429D	MD6429C		MD6429CX		3
FA181TT		MXS181	FA181R	MD6429D	MD6429C		MD6429CX		4
FA194			FA194HH						5
FA181TT		MXS181	FA181R						6
FA181TT		MXS181	FA181R						7
			FA322/4HH★						8
FA181TT		MXS181	FA181R						9
									10
SFA169	SFAC169		SFA169HH						11
FA083TT			FA083R						12
SFA193			SFA193HH						13
									14
SFA169	SFAC169		SFA169HH						15
FA101TT									16
FA106TT									17
FA194			FA194HH						18
									19
									20
SFA709	SFAC709		SFA709HH						21
SFA709	SFAC709		SFA709HH						22
SFA709	SFAC709		SFA709HH						23
									24
									25
									26
SFA235	SFAC235			MD923D		VR923			27
SFA235	SFAC235			MD923D		VR923			28
SFA228	SFAC228		SFA228HH	MD9131D					29
SFA169	SFAC169		SFA169HH	MD904D		VR904			30
SFA169	SFAC169		SFA169HH	MD904D		VR904			31
SFA228	SFAC228		SFA228HH						32
SFA235	SFAC235			MD923D		VR923			33
SFA228	SFAC228		SFA228HH						34
FA135TT			FA135R		MD6357C				35
FA135TT			FA135R		MD6357C				36
FA135TT			FA135R		MD6357C				37
FA731TT			FA731R						38
FA199			FA199HH						39
FA054TT			FA054HH						40
FA093				MD828					41
FA228			FA228HH						42
FA199			FA199HH	MD829					43
FA093				MD829					44
FA135TT			FA135R						45
FA135TT			FA135R		MD6357C				46
FA135TT			FA135R		MD6357C				47
FA093									48
FA093									49
FA093									50
SFA054	SFAC054		SFA054HH						51
SFA054	SFAC054		SFA054HH						52
SFA054	SFAC054		SFA054HH						53
SFA054	SFAC054		SFA054HH						54
FA761									55
SFA197	SFAC197								56
FA731TT			FA731R						57
SFA086	SFAC086		SFA086HH			VR971			58
SFA235	SFAC235								59
FA228			FA228HH						60

FRONT / AVANT / VORN / FRENTE / ANTERIORE

R Suffix = High Durability Sintered Pad. HH Suffix = High Performance Sintered Pad. TT Suffix = Hard Wearing Off Road Pad. V Suffix = Semi Sintered Pad. G Suffix = Grooved Shoe.
D Suffix = Drilled Disc. X Suffix = Universal Left or Right Disc. XC Suffix = Contoured Disc. LS Suffix = Left/Steel Disc. RS = Right/Steel Disc.

*-2 Sets Required. † For Vee disc colours add RED, BLU, GRN, GLD, ORG suffix to part number.

⊗ - Also available as a Vintage Motorcycle Disc. ★ - EPFA available. ⚙ Disc made of Billet steel. ♦ CE solid discs for Enduro use.

Non-JAPANESE Built Motorcycles

Line #	BRAKE DISC CHOICES - FRONT			DISC PAD CHOICES - REAR				BRAKE DISC CHOICES - REAR					
	SMX Oversize 320mm Disc Kit Front Left	Front disc bolt kit	Front Brake Line	FA, SFA, TT Pad or Brake Shoe	SFAC Carbon Scooter Pads	Speciality Pads - SXR / Vee / MXS	Sintered HH/R Pads/ Grooved Shoes	Standard Replacement Disc	Contour Disc Rear Fitment	Vee Discs CONTOUR	CX Extreme MX Race Disc / UTVX Disc	Rear disc bolt kit	Rear Brake Line
1				FA367TT		MXS367	FA367R						
2				FA368TT		MXS368	FA368R		MD6430C		MD6430CX◆		
3				FA368TT		MXS368	FA368R		MD6430C		MD6430CX◆		
4				FA368TT		MXS368	FA368R		MD6430C		MD6430CX◆		
5				FA350			FA350HH						
6				FA367TT		MXS367	FA367R						
7				FA367TT		MXS367	FA367R						
8				FA367TT		MXS367	FA367R						
9				FA367TT		MXS367	FA367R						
10													
11													
12													
13													
14													
15													
16													
17													
18				S602									
19				FA115			FA115HH						
20													
21													
22				SFA197	SFAC197		SFA197HH						
23				SFA197	SFAC197		SFA197HH						
24				SFA197	SFAC197		SFA197HH						
25													
26													
27				H303									
28				SFA054	SFAC054			MD923D		VR923			
29				897									
30				H303									
31				H303									
32				897									
33				H303									
34				H303									
35				FA054TT			FA054R		MD6358C				
36				FA054TT			FA054R		MD6358C				
37				FA054TT			FA054R						
38				FA165TT									
39				Y506									
40				Y506									
41				Y516									
42				FA140			FA140HH	MD827					
43				Y506									
44				Y506									
45				S602									
46				FA054TT			FA054R		MD6358C				
47				FA054TT			FA054R						
48				H310			H310G						
49				H310			H310G						
50				H310			H310G						
51				Y506									
52				Y506									
53				SFA266	SFAC266		SFA266HH	MD9132D					
54				Y506									
55				FA496			FA496HH						
56				SFA086									
57				FA496			FA496HH						
58				Y506									
59				Y506									
60													

REAR / ARRIÈRE / HINTEN / POSTERIOR / POSTERIORE

R Suffix = High Durability Sintered Pad. **HH** Suffix = High Performance Sintered Pad. **TT** Suffix = Hard Wearing Off Road Pad. **V** Suffix = Semi Sintered Pad. **G** Suffix = Grooved Shoe.
D Suffix = Drilled Disc. **X** Suffix = Universal Left or Right Disc. **XC** Suffix = Contoured Disc. **LS** Suffix = Left/Steel Disc. **RS** = Right/Steel Disc.

BRAKE APPLICATIONS

*-2 Sets Required. † For Vee disc colours add RED, BLU, GRN, GLD, ORG suffix to part number.

⊙ - Also available as a Vintage Motorcycle Disc. ★ - EPFA available. Ⓢ Disc made of Billet steel. ◆ CE solid discs for Enduro use.

Part numbers, prefixes, suffixes, photos and illustrations shown in this catalogue are trademarks and/or copyrights of EBC Brakes or the trademark owner A C Freeman Investments Ltd and use without express written permission of the owners is punishable by law.

Non-JAPANESE Built Motorcycles



SINNIS Contd.

ZN 125 TT-30A Strada 125	2012-2014
QM 250 GY-D Apache 250	2013-2014

SMC

YB 125	2009
YB 150	2009
YB 250	2009

STARK ELECTRIC

Varg MX	2023
---------	------

STOMP-MINI MOTO

125 Elite	2007-2009
-----------	-----------

SUPER SOCO

CPX	2022-2023
CJ Mini	2022-2023
CJ Mini	2022-2023
CJX	2022-2023
TC	2022-2023
TC Max	2022-2023
TC Wanderer	2022-2023
TS Street Hunter	2022-2023
TSX	2022-2023

SUPERBYKE

RFX 125 Road Trail	2005-2007
RMR 125	2007-2009
RMX 125	2005-2008
RFX 200	2005-2007
RMR 200 SM	2007-2008
R-SR 250	2007-2008

SVM SWM

50/80 MK/GS/RBS Enduro	1983
50/80 MK/MC Cross	1983
50/80 TR/TL Trial	1983
125/175/250/347/440 Enduro	1983
125/240/320/350 HM/MW/TL Trial	1983
125/250 S1/S2	1983
125/250/440 Cross	1983
323 Trial	1985
323 Trial	1985
350 XP Sahara	1983
XN 506 Enduro	1984

SWM

MC 125 R	2018
RS 125 R	2016-2017
RS 125 R	2018
SM 125 R	2016-2017
SM 125 R	2018-2023
MC 250 S	2016
FT 300 R Flat Track	2017
RS 300 R	2015-2023
RS 340 S	2016
Gran Milano	2015
Gran Milano	2016-2018
Gran Milano Boggi SE	2018
Gran Milano Special	2015

DISC PAD CHOICES - FRONT				BRAKE DISC CHOICES - FRONT					Line #
FA, SFA, TT Pad or Brake Shoe	SFAC Carbon Scooter Pads	Speciality Pads - SXR / Vee / MXS	Sintered/HH Pads/ Grooved Shoes	Standard Replacement Discs	Contour Disc Universal Left and Right	Vee-Discs Black † See note below	CX Extreme Disc / UTVX Disc	OSX Oversize 250mm or 280mm	
SFA228	SFAC228		SFA228HH						1
FA135TT			FA135R						2
									3
									4
FA086			FA086HH						5
FA086			FA086HH						6
FA086			FA086HH						7
									8
									9
FA181TT		MXS181	FA181R	TBC					10
									11
									12
									13
									14
									15
SFA709									16
SFA186									17
SFA186									18
SFA186									19
SFA709									20
SFA709									21
SFA603									22
SFA603									23
FA086			FA086HH						24
									25
									26
									27
FA093									28
FA135TT			FA135R						29
FA086			FA086HH						30
FA093									31
FA135TT									32
FA086			FA086HH	MD690	MD690C				33
									34
			841G						35
			841G						36
			926G						37
			843G						38
			841G						39
FA047		FA047V							40
			843G						41
			841G						42
FA047									43
FA018			FA018HH						44
			843G						45
									46
									47
FA181TT			FA181R						48
FA181TT			FA181R	MD6184D					49
									50
FA181TT			FA181R						51
									52
FA181TT			FA181R						53
FA181TT		MXS181	FA181R	MD6184D					54
FA181TT		MXS181	FA181R	MD6184D					55
FA181TT			FA181R						56
FA142			FA142HH						57
			FA322/4HH★						58
			FA322/4HH★						59
									60

FRONT / AVANT / VORN / FRENTE / ANTERIORE

R Suffix = High Durability Sintered Pad. HH Suffix = High Performance Sintered Pad. TT Suffix = Hard Wearing Off Road Pad. V Suffix = Semi Sintered Pad. G Suffix = Grooved Shoe. D Suffix = Drilled Disc. X Suffix = Universal Left or Right Disc. XC Suffix = Contoured Disc. LS Suffix = Left/Steel Disc. RS = Right/Steel Disc.

*-2 Sets Required. † For Vee disc colours add RED, BLU, GRN, GLD, ORG suffix to part number.

⊗ - Also available as a Vintage Motorcycle Disc. ★ - EPFA available. ⚙ Disc made of Billet steel. ♦ CE solid discs for Enduro use.

360 Part numbers, prefixes, suffixes, photos and illustrations shown in this catalogue are trademarks and/or copyrights of EBC Brakes or the trademark owner A C Freeman Investments Ltd and use without express written permission of the owners is punishable by law.

Non-JAPANESE Built Motorcycles

Line #	BRAKE DISC CHOICES - FRONT			DISC PAD CHOICES - REAR				BRAKE DISC CHOICES - REAR					
	SMX Oversize 320mm Disc Kit Front Left	Front disc bolt kit	Front Brake Line	FA, SFA, TT Pad or Brake Shoe	SFAC Carbon Scooter Pads	Speciality Pads - SXR / Vee / MXS	Sintered HH/R Pads/ Grooved Shoes	Standard Replacement Disc	Contour Disc Rear Fitment	Vee Discs CONTOUR	CX Extreme MX Race Disc / UTVX Disc	Rear disc bolt kit	Rear Brake Line
1				Y506									
2				FA165TT			FA165R						
3													
4													
5				FA086			FA086HH						
6				FA086			FA086HH						
7				FA086			FA086HH						
8													
9													
10				FA368TT		MXS368	FA368R	TBC					
11													
12													
13				FA480									
14													
15													
16					SFAC758								
17				SFA186									
18				SFA186									
19				SFA776									
20				SFA776									
21					SFAC758								
22				FA086									
23				FA086									
24					SFAC758								
25													
26													
27													
28				FA054TT			FA054R						
29				FA086			FA086HH						
30													
31													
32				FA086			FA086HH	MD689	MD689C				
33													
34													
35							841G						
36							841G						
37							926G						
38							843G						
39							841G						
40							841G						
41							843G						
42							841G						
43							841G						
44							841G						
45							843G						
46													
47													
48				FA368TT			FA368R						
49				FA213			FA213HH★						
50				FA697			FA697HH						
51				FA213			FA213HH★						
52				FA697			FA697HH						
53				FA368TT			FA368R						
54				FA368TT		MXS368	FA368R						
55				FA368TT		MXS368	FA368R						
56				FA368TT			FA368R						
57													
58				FA697			FA697HH						
59				FA697			FA697HH						
60				FA368TT		MXS368	FA368R						

REAR / ARRIÈRE / HINTEN / POSTERIOR / POSTERIORE

R Suffix = High Durability Sintered Pad. **HH** Suffix = High Performance Sintered Pad. **TT** Suffix = Hard Wearing Off Road Pad. **V** Suffix = Semi Sintered Pad. **G** Suffix = Grooved Shoe.
D Suffix = Drilled Disc. **X** Suffix = Universal Left or Right Disc. **XC** Suffix = Contoured Disc. **LS** Suffix = Left/Steel Disc. **RS** = Right/Steel Disc.

BRAKE APPLICATIONS

*-2 Sets Required. † For Vee disc colours add RED, BLU, GRN, GLD, ORG suffix to part number.

⊙ - Also available as a Vintage Motorcycle Disc. ★ - EPFA available. ⊕ Disc made of Billet steel. ◆ CE solid discs for Enduro use.

Part numbers, prefixes, suffixes, photos and illustrations shown in this catalogue are trademarks and/or copyrights of EBC Brakes or the trademark owner A C Freeman Investments Ltd and use without express written permission of the owners is punishable by law.

Non-JAPANESE Built Motorcycles



SWM Contd.

		DISC PAD CHOICES - FRONT			BRAKE DISC CHOICES - FRONT					Line #	
		FA, SFA, TT Pad or Brake Shoe	SFAC Carbon Scooter Pads	Speciality Pads - SXR / Vee / MXS	Sintered/HH Pads/ Grooved Shoes	Standard Replacement Discs	Contour Disc Universal Left and Right	Vee-Discs Black † See note below	CX Extreme Disc / UTVX Disc	OSX Oversize 250mm or 280mm	
Gran Turismo 440	2015	FA142			FA142HH						1
Gran Turismo 440	2018	FA664			FA664R						2
Silver Vase 440	2015	FA142			FA142HH						3
Silver Vase 440	2018	FA664			FA664R						4
Six Days	2018-2021	FA664TT			FA664R						5
SM 450 R	2015-2018				FA322/4HH★						6
Ace of Spades 500	2018-2021				FA322/4HH★						7
Gran Milano Outlaw 500	2018-2021				FA322/4HH★						8
RS 500 R	2015-2023	FA181TT		MXS181	FA181R	MD6184D					9
Six 6 500	2023-2024	FA664TT			FA664R						10
SM 500 R	2016-2023				FA322/4HH★						11
Super Dual T 600	2016-2023	FA209/2			FA209/2HH★						12
Super Dual X 600	2016-2021	FA209/2			FA209/2HH★						13
MC 650 R	2018	FA357TT			FA357R						14
RS 650 R	2016-2018	FA181TT			FA181R	MD6184D					15
SM 650 R	2016-2018				FA322/4HH★						16
Super Dual 650	2015				FA322/4HH★						17
											18
											19
											20
											21
											22
											23
											24
											25
											26
											27
											28
											29
											30
											31
											32
											33
											34
											35
											36
											37
											38
											39
											40
											41
											42
											43
											44
											45
											46
											47
											48
											49
											50
											51
											52
											53
											54
											55
											56
											57
											58
											59
											60

FRONT / AVANT / VORN / FRENTE / ANTERIORE

R Suffix = High Durability Sintered Pad. HH Suffix = High Performance Sintered Pad. TT Suffix = Hard Wearing Off Road Pad. V Suffix = Semi Sintered Pad. G Suffix = Grooved Shoe.
D Suffix = Drilled Disc. X Suffix = Universal Left or Right Disc. XC Suffix = Contoured Disc. LS Suffix = Left/Steel Disc. RS = Right/Steel Disc.

*-2 Sets Required. † For Vee disc colours add RED, BLU, GRN, GLD, ORG suffix to part number.

⊗ - Also available as a Vintage Motorcycle Disc. ★ - EPFA available. ⚙ Disc made of Billet steel. ♦ CE solid discs for Enduro use.

Non-JAPANESE Built Motorcycles

**BRAKE
APPLICATIONS**

Line #	BRAKE DISC CHOICES - FRONT			DISC PAD CHOICES - REAR				BRAKE DISC CHOICES - REAR					
	SMX Oversize 320mm Disc Kit Front Left	Front disc bolt kit	Front Brake Line	FA, SFA, TT Pad or Brake Shoe	SFAC Carbon Scooter Pads	Speciality Pads - SXR / Vee / MXS	Sintered HH/R Pads/ Grooved Shoes	Standard Replacement Disc	Contour Disc Rear Fitment	Vee Discs CONTOUR	CX Extreme MX Race Disc / UTVX Disc	Rear disc bolt kit	Rear Brake Line
1													
2				FA697			FA697HH						
3													
4				FA697			FA697HH						
5				FA697			FA697R						
6				FA368TT		MXS368	FA368R						
7				FA697			FA697HH						
8				FA697			FA697HH						
9				FA368TT		MXS368	FA368R						
10				FA697			FA697R						
11				FA368TT			FA368R						
12				FA208TT			FA208R						
13				FA208TT			FA208R						
14				FA602TT			FA602R						
15				FA208TT			FA208R						
16				FA208TT			FA208R						
17				FA208TT		MXS208	FA208R						
18													
19													
20				H303									
21				H307									
22				H303									
23				820									
24				820									
25				820									
26				H303									
27				820									
28				H333									
29				H302									
30				H303									
31				H303									
32				H303									
33				H303									
34				H303									
35				H303									
36				H303									
37				H303									
38				H303									
39				H303									
40				H303									
41				H303									
42				SFA234									
43				H303									
44				H303									
45				H303									
46				H303									
47				H303									
48				H303									
49				H303									
50				H303									
51				H303									
52				H303									
53				820									
54				H303									
55				H307									
56				H307									
57				SFA260	SFAC260		SFA260HH						
58				SFA260	SFAC260		SFA260HH			VR9149			
59				SFA260	SFAC260		SFA260HH						
60				H303									

REAR / ARRIÈRE / HINTEN / POSTERIOR / POSTERIORE

*-2 Sets Required. † For Vee disc colours add RED, BLU, GRN, GLD, ORG suffix to part number.

⊗ - Also available as a Vintage Motorcycle Disc. ★ - EPFA available. Ⓢ Disc made of Billet steel. ◆ CE solid discs for Enduro use.

Part numbers, prefixes, suffixes, photos and illustrations shown in this catalogue are trademarks and/or copyrights of EBC Brakes or the trademark owner A C Freeman Investments Ltd and use without express written permission of the owners is punishable by law.

R Suffix = High Durability Sintered Pad. **HH** Suffix = High Performance Sintered Pad. **TT** Suffix = Hard Wearing Off Road Pad. **V** Suffix = Semi Sintered Pad. **G** Suffix = Grooved Shoe.
D Suffix = Drilled Disc. **X** Suffix = Universal Left or Right Disc. **XC** Suffix = Contoured Disc. **LS** Suffix = Left/Steel Disc. **RS** = Right/Steel Disc.

Non-JAPANESE Built Motorcycles



SYM Contd.



DISC PAD CHOICES - FRONT

BRAKE DISC CHOICES - FRONT

R Suffix = High Durability Sintered Pad. HH Suffix = High Performance Sintered Pad. TT Suffix = Hard Wearing Off Road Pad. V Suffix = Semi Sintered Pad. G Suffix = Grooved Shoe.

D Suffix = Drilled Disc. X Suffix = Universal Left or Right Disc. XC Suffix = Contoured Disc. LS Suffix = Left/Steel Disc. RS = Right/Steel Disc.

FRONT / AVANT / VORN / FRENTE / ANTERIORE

		FA, SFA, TT Pad or Brake Shoe	SFAC Carbon Scooter Pads	Speciality Pads - SXR / Vee / MXS	Sintered/HH Pads/ Grooved Shoes	Standard Replacement Discs	Contour Disc Universal Left and Right	Vee-Disks Black † See note below	CX Extreme Disc / UTVX Disc	OSX Oversize 250mm or 280mm	Line #
Symply II 50	2017-2021	SFA264	SFAC264		SFA264HH	MD923D		VR923			1
Symply II 50 II	2009-2014	SFA264	SFAC264		SFA264HH	MD923D		VR923			2
Tonik 50	2011-2015	SFA151	SFAC151								3
X'Pro 50	2013-2015	SFA264	SFAC264		SFA264HH						4
X'Pro 50	2018-2020	SFA264	SFAC264		SFA264HH						5
Cinderella 50/100	1999-2000	SFA151	SFAC151			MD933D		VR933			6
Jet 100 G100P-6	1999-2000	SFA264	SFAC264		SFA264HH	MD9116D		VR9116			7
Jungle 50/100	1999-2002	SFA264	SFAC264		SFA264HH	MD9116D		VR9116			8
Mio 100	2005-2015	SFA151	SFAC151			MD933D		VR933			9
SR 100 Sunrise	1997	SFA131/2			SFA131/2HH						10
Symba 100	2011-2012	H303									11
Tonik 110	2011-2013	SFA151	SFAC151								12
ADX 125	2023-2024	SFA264	SFAC264		SFA264HH						13
Allo 125	2011-2015	SFA264	SFAC264		SFA264HH			VR923			14
Attila 125	1999-2000	SFA264	SFAC264		SFA264HH	MD933D		VR933			15
Cevalo B9A 125cc -	2010	FA196			FA196HH★						16
City Com 125	2008-2013	SFA264	SFAC264		SFA264HH						17
Com Biz 125	2011-2015	SFA305	SFAC305		SFA305HH						18
Crox 125	2015-2021	SFA264	SFAC264		SFA264HH						19
Cruisym 125	2022-2024	SFA355/4	SFAC355/4		SFA355/4HH						20
CT 125	2003-2004	FA297									21
Euro MX 125 HF12-W3-6 Euro 2	2006-2009	SFA306	SFAC306								22
Euro MX 125 HF12-W6 Euro 1	2002-2007	SFA306	SFAC306								23
Fiddle 125 II	2008-2015	SFA264	SFAC264		SFA264HH	MD923D		VR923			24
Fiddle 125 III	2008-2024	SFA264	SFAC264		SFA264HH						25
GTS 125 i Joymax All Models	2010-2023	SFA355/4	SFAC355/4		SFA355/4HH						26
GTS 125 i SportAll Models	2014-2015	SFA355/4	SFAC355/4		SFA355/4HH						27
GTS 125 Joymax/Voyager	2006-2009	SFA427	SFAC427		SFA427HH						28
HD 125 S Evo	2007	SFA264	SFAC264		SFA264HH						29
HD Evo 125	2003-2013	SFA264	SFAC264		SFA264HH						30
HD Evo 125	2003-2013	SFA264	SFAC264		SFA264HH						31
HD2-125i	2010-2015	SFA264	SFAC264		SFA264HH						32
JET 4 125cc/	2010-2015	SFA264	SFAC264		SFA264HH	MD9137D		VR9137			33
JET V 125cc/	2012-2013	SFA067	SFAC067		SFA067HH			VR9137			34
Jet X 125 Euro 5	2021-2024	SFA264	SFAC264		SFA264HH	MD9137D		VR9137			35
Jet14 125 Euro 4	2017-2021	SFA264	SFAC264		SFA264HH	MD9137D		VR9137			36
Joyride 125	2001-2006	SFA306	SFAC306								37
Joyride 125 i	2007-2009	SFA306	SFAC306								38
Joyride EVO 125i	2009-2021	SFA306	SFAC306								39
Megalo 125	2000-2007	SFA264	SFAC264		SFA264HH	MD933D		VR933			40
NH-T 125i	2019-2020	SFA142	SFAC142		SFA142HH						41
Orbit 125	2008-2009	SFA257	SFAC257								42
Orbit ii/Symply 125	2009-2015	SFA264	SFAC264		SFA264HH	MD923D		VR923			43
RS 125	2004-2006	SFA306	SFAC306								44
SB 125 Wolf	2011-2015	FA179			FA179HH						45
SB 125 Wolf Ni	2011-2020	SFA427			SFA427HH						46
SK 125	2003-2004	SFA306	SFAC306								47
Symphony 125	2009	SFA264	SFAC264		SFA264HH	MD9137D		VR9137			48
Symphony 125 Cargo	2021-2024	SFA264	SFAC264		SFA264HH	MD9149D		VR9149			49
Symphony 125 S	2010-2021	SFA264	SFAC264		SFA264HH	MD9137D		VR9137			50
Symphony 125 SR	2010-2015	SFA264	SFAC264		SFA264HH	MD9149D		VR9149			51
Symphony 125 SR	2021-2024	SFA264	SFAC264		SFA264HH	MD9149D		VR9149			52
Symphony 125 ST	2017-2021	SFA264	SFAC264		SFA264HH	MD9149D		VR9166			53
Symply 125 II	2009-2014	SFA264	SFAC264		SFA264HH	MD923D		VR923			54
Symply 125 R	2007-2008	SFA264	SFAC264		SFA264HH	MD923D		VR923			55
Tonik 125	2011-2015	SFA151	SFAC151								56
VF 125	2021-2024	SFA762									57
VS 125	2006-2015	SFA306	SFAC306								58
Wolf Legend	2004-2005	FA086			FA086HH						59
X'Pro 125	2013-2024	SFA264	SFAC264		SFA264HH						60

*-2 Sets Required. † For Vee disc colours add RED, BLU, GRN, GLD, ORG suffix to part number.

⊗ - Also available as a Vintage Motorcycle Disc. ★ - EPFA available. ⚙ - Disc made of Billet steel. ♦ - CE solid discs for Enduro use.

Non-JAPANESE Built Motorcycles

Line #	BRAKE DISC CHOICES - FRONT			DISC PAD CHOICES - REAR				BRAKE DISC CHOICES - REAR					
	SMX Oversize 320mm Disc Kit Front Left	Front disc bolt kit	Front Brake Line	FA, SFA, TT Pad or Brake Shoe	SFAC Carbon Scooter Pads	Speciality Pads - SXR / Vee / MXS	Sintered HH/R Pads/ Grooved Shoes	Standard Replacement Disc	Contour Disc Rear Fitment	Vee Discs CONTOUR	CX Extreme MX Race Disc / UTVX Disc	Rear disc bolt kit	Rear Brake Line
1				H303									
2				H303									
3				H303									
4				H307									
5				H307									
6				H303									
7				H303									
8				H303									
9				H303									
10													
11				H303									
12				H307									
13				SFA260	SFAC260		SFA260HH						
14				820									
15				H307									
16													
17				SFA427	SFAC427		SFA427HH						
18				820									
19				820									
20				SFA427	SFAC427		SFA427HH						
21				819									
22				SFA197	SFAC197								
23				820									
24				H307									
25				H307									
26				SFA427	SFAC427		SFA427HH						
27				SFA427	SFAC427		SFA427HH						
28				SFA427	SFAC427		SFA427HH						
29				820									
30				SFA427	SFAC427		SFA427HH						
31				SFA427	SFAC427		SFA427HH						
32				SFA427	SFAC427		SFA427HH						
33				H307									
34				H307									
35				SFA260	SFAC260		SFA260HH						
36				H307									
37				SFA305	SFAC305								
38				SFA427	SFAC427								
39				SFA427	SFAC427								
40				820									
41				SFA199	SFAC199		SFA199HH						
42				820									
43				H303									
44													
45													
46				FA377			FA377HH						
47				SFA305	SFAC305								
48				H307									
49				SFA260	SFAC260		SFA260HH						
50				SFA260	SFAC260		SFA260HH						
51				SFA260	SFAC260		SFA260HH						
52				SFA260	SFAC260		SFA260HH						
53				SFA260	SFAC260		SFA260HH						
54				H307									
55				H307									
56				820									
57				TBC									
58				820									
59				819									
60				H307									

REAR / ARRIÈRE / HINTEN / POSTERIOR / POSTERIORE

R Suffix = High Durability Sintered Pad. **HH** Suffix = High Performance Sintered Pad. **TT** Suffix = Hard Wearing Off Road Pad. **V** Suffix = Semi Sintered Pad. **G** Suffix = Grooved Shoe.
D Suffix = Drilled Disc. **X** Suffix = Universal Left or Right Disc. **XC** Suffix = Contoured Disc. **LS** Suffix = Left/Steel Disc. **RS** = Right/Steel Disc.

BRAKE APPLICATIONS

*-2 Sets Required. † For Vee disc colours add RED, BLU, GRN, GLD, ORG suffix to part number.

⊙ - Also available as a Vintage Motorcycle Disc. ★ - EPFA available. ⊕ Disc made of Billet steel. ◆ CE solid discs for Enduro use.

Part numbers, prefixes, suffixes, photos and illustrations shown in this catalogue are trademarks and/or copyrights of EBC Brakes or the trademark owner A C Freeman Investments Ltd and use without express written permission of the owners is punishable by law.

Non-JAPANESE Built Motorcycles



SYM Contd.



DISC PAD CHOICES - FRONT

BRAKE DISC CHOICES - FRONT

R Suffix = High Durability Sintered Pad. **HH** Suffix = High Performance Sintered Pad. **TT** Suffix = Hard Wearing Off Road Pad. **V** Suffix = Semi Sintered Pad. **G** Suffix = Grooved Shoe.
D Suffix = Drilled Disc. **X** Suffix = Universal Left or Right Disc. **XC** Suffix = Contoured Disc. **LS** Suffix = Left/Steel Disc. **RS** = Right/Steel Disc.

FRONT / AVANT / VORN / FRENTE / ANTERIORE

Model	Year	DISC PAD CHOICES - FRONT				BRAKE DISC CHOICES - FRONT					Line #
		FA, SFA, TT Pad or Brake Shoe	SFAC Carbon Scooter Pads	Speciality Pads - SXR / Vee / MXS	Sintered/HH Pads/ Grooved Shoes	Standard Replacement Discs	Contour Disc Universal Left and Right	Vee-Discs Black † See note below	CX Extreme Disc / UTVX Disc	OSX Oversize 250mm or 280mm	
XS 125 K	2007-2015	FA197			FA197HH★						1
Allo 150	2011-2015	SFA264	SFAC264		SFA264HH						2
Crox 150	2015	SFA264	SFAC264		SFA264HH						3
Huskey 125/150	1999-2005	FA297									4
Jet 4 150cc/	2013-2015	SFA264	SFAC264		SFA264HH						5
Joyride 150	2001-2006	SFA306	SFAC306								6
RS 150	2006	SFA306	SFAC306								7
Shark 125/150	1999-2002	SFA306	SFAC306								8
Shark 4VR 125/150 R	2000-2002	SFA306	SFAC306								9
Super Duke 125/150	1999-2002	SFA264	SFAC264		SFA264HH	MD933D		VR933			10
VS 150	2006-2015	SFA306	SFAC306								11
Wolf 125/150 Scooter Type 125M/P125M/P150M	2000	H306									12
Fiddle II 151	2008-2015	SFA264	SFAC264		SFA264HH						13
Symphony 151 S	2010-2015	SFA264	SFAC264		SFA264HH	MD9137D		VR9137			14
Symphony 151 SR	2010-2015	SFA264	SFAC264		SFA264HH	MD9149D		VR9149			15
NEO VF185	2019-2024	SFA762									16
Fiddle III 200i	2014-2021	SFA264	SFAC264		SFA264HH						17
H 200 SE	2006	SFA264	SFAC264		SFA264HH						18
HD 125/200	2004-2007	SFA305	SFAC305		SFA305HH						19
HD 200 S Evo	2007	SFA264	SFAC264		SFA264HH						20
HD 2-200i	2010-2015	SFA264	SFAC264		SFA264HH						21
Jet14 200 Euro 4	2017-2021	SFA264	SFAC264		SFA264HH						22
Joyride 200	2003-2007	SFA306	SFAC306								23
Joyride 200 i	2007-2009	SFA306	SFAC306								24
Joyride EVO 200i	2009-2021	SFA306	SFAC306								25
Quadlander 200	2012-2013	FA377TT*			FA377R*						26
Symphony 200 ST	2018-2024	SFA264	SFAC264		SFA264HH						27
Trackrunner 200 Quad	2005-2009	FA377TT*			FA377R*						28
GTS 250	2007-2008	SFA355/4*	SFAC355/4*		SFA355/4HH*						29
GTS 250 i/Joymax All Models	2009-2014	SFA355/4*	SFAC355/4*		SFA355/4HH*						30
Joymax 250	2006	SFA355/4*	SFAC355/4*		SFA355/4HH*						31
Joymax 250 i	2007-2008	SFA355/4*	SFAC355/4*		SFA355/4HH*						32
Quadlander 250	2005-2009	FA377TT*			FA377R*						33
SB 250 Ni Wolf SB	2012-2015	SFA627			SFA627HH						34
Voyager 250	2005	SFA355/4	SFAC355/4		SFA355/4HH						35
City Com 300i	2008-2014	SFA264	SFAC264		SFA264HH						36
City Com 300i S CBS	2015	SFA264	SFAC264		SFA264HH						37
Citymax 300 Quad	2006	FA377*	SFAC377*		FA377R*						38
Cruisym 300	2017-2024	SFA355/4	SFAC355/4		SFA355/4HH						39
GTS 300 Joymax All Models	2008-2014	SFA355/4	SFAC355/4		SFA355/4HH						40
JoyRide 300i	2023-2024	SFA627*			SFA627HH*						41
GTS 300 Sport All Models	2014-2015	SFA355/4	SFAC355/4		SFA355/4HH						42
Joymax 300i	2014-2016	SFA355/4	SFAC355/4		SFA355/4HH						43
Joymax Z 300	2017-2024	SFA355/4	SFAC355/4		SFA355/4HH						44
Quadlander 300	2008-2010	FA377TT*			FA377R*						45
Quadlander 300 S	2007-2015	FA377TT*			FA377R*						46
Max Sym 400i	2011-2024	SFA627*			SFA627HH*						47
GT 500	2004	SFA283/4	SFAC283/4		SFA283/4HH						48
Max Sym TL 508	2024	FA244*		FA244V*	FA244HH*						49
Max Sym 600i	2014-2015	SFA627*			SFA627HH*						50
Quadraider 600	2006-2007	FA054TT*			FA054R*						51
Quadraider 600	2008-2015	FA377TT*			FA377R*						52
Quadraider 600 LE	2010-2015	FA377TT*			FA377R*						53
E-Symmetry Electric	2012-2013	SFA151	SFAC151			MD933D					54
Evie Electric Scooter	2010	H303									55
E-Virid	2012-2015	H303									56
E-Virid Deluxe	2012-2015	SFA151	SFAC151			MD933D					57
E-Woo Electric	2011	SFA151	SFAC151			MD933D		VR933			58
Symmetry Electric	2011	H303									59

*-2 Sets Required. † For Vee disc colours add RED, BLU, GRN, GLD, ORG suffix to part number.

⊗ - Also available as a Vintage Motorcycle Disc. ★ - EPFA available. ⚙ - Disc made of Billet steel. ♦ - CE solid discs for Enduro use.

Non-JAPANESE Built Motorcycles

Line #	BRAKE DISC CHOICES - FRONT			DISC PAD CHOICES - REAR				BRAKE DISC CHOICES - REAR					
	SMX Oversize 320mm Disc Kit Front Left	Front disc bolt kit	Front Brake Line	FA, SFA, TT Pad or Brake Shoe	SFAC Carbon Scooter Pads	Speciality Pads - SXR / Vee / MXS	Sintered HH/R Pads/ Grooved Shoes	Standard Replacement Disc	Contour Disc Rear Fitment	Vee Discs CONTOUR	CX Extreme MX Race Disc / UTVX Disc	Rear disc bolt kit	Rear Brake Line
1				H310									
2				820									
3				820									
4				819									
5				820									
6				SFA305	SFAC305								
7				SFA228	SFAC228								
8				820									
9				SFA197	SFAC197								
10				H303									
11				820									
12				H307									
13				H307									
14				SFA260	SFAC260		SFA260HH						
15				SFA260	SFAC260		SFA260HH						
16				TBC									
17				SFA264	SFAC264		SFA264HH						
18				SFA427	SFAC427		SFA427HH						
19				820									
20				SFA427	SFAC427		SFA427HH						
21				SFA427	SFAC427		SFA427HH						
22				H307									
23				SFA305	SFAC305								
24				SFA427	SFAC427								
25				SFA427	SFAC427								
26				FA427TT			FA427R						
27				SFA260	SFAC260								
28				FA427TT			FA427R						
29				SFA427	SFAC427		SFA427HH						
30				SFA427	SFAC427		SFA427HH						
31				SFA427	SFAC427		SFA427HH						
32				SFA427	SFAC427		SFA427HH						
33				FA427TT			FA427R						
34				FA377	SFAC377		FA377HH★						
35				SFA319			SFA319HH						
36				SFA264	SFAC264		SFA264HH						
37				SFA264	SFAC264		SFA264HH						
38				FA427TT			FA427R						
39				SFA427	SFAC427		SFA427HH						
40				SFA427	SFAC427		SFA427HH						
41				SFA628			SFA628HH						
42				SFA427	SFAC427		SFA427HH						
43				SFA427	SFAC427		SFA427HH						
44				SFA427	SFAC427		SFA427HH						
45				FA377TT			FA377R						
46				FA377TT			FA377R						
47				SFA628			SFA628HH						
48				SFA305	SFAC305		SFA305HH						
49				SFA305	SFAC305		SFA305HH						
50				SFA628			SFA628HH						
51				FA377TT			FA377R						
52				FA377TT			FA377R						
53				FA377TT			FA377R						
54				H303									
55				H303									
56				H303									
57				H303									
58				H303									
59				H303									
60													

REAR / ARRIÈRE / HINTEN / POSTERIOR / POSTERIORE

R Suffix = High Durability Sintered Pad. **HH** Suffix = High Performance Sintered Pad. **TT** Suffix = Hard Wearing Off Road Pad. **V** Suffix = Semi Sintered Pad. **G** Suffix = Grooved Shoe.
D Suffix = Drilled Disc. **X** Suffix = Universal Left or Right Disc. **XC** Suffix = Contoured Disc. **LS** Suffix = Left/Steel Disc. **RS** = Right/Steel Disc.

BRAKE APPLICATIONS

*-2 Sets Required. † For Vee disc colours add RED, BLU, GRN, GLD, ORG suffix to part number.

⊙ - Also available as a Vintage Motorcycle Disc. ★ - EPFA available. ⚙ Disc made of Billet steel. ♦ CE solid discs for Enduro use.

Part numbers, prefixes, suffixes, photos and illustrations shown in this catalogue are trademarks and/or copyrights of EBC Brakes or the trademark owner A C Freeman Investments Ltd and use without express written permission of the owners is punishable by law.

Non-JAPANESE Built Motorcycles



T.M.



DISC PAD CHOICES - FRONT

BRAKE DISC CHOICES - FRONT

FRONT / AVANT / VORN / FRENTE / ANTERIORE

FA, SFA, TT Pad or Brake Shoe	SFAC Carbon Scooter Pads	Speciality Pads - SXR / Vee / MXS	Sintered/HH Pads/ Grooved Shoes	Standard Replacement Discs	Contour Disc Universal Left and Right	Vee-Discs Black † See note below	CX Extreme Disc / UTVX Disc	OSX Oversize 250mm or 280mm
80 Enduro	1996-2000	FA181TT	MXS181	FA181R				
80/85 Cross Cross	1996-2001	FA181TT	MXS181	FA181R				
80/85 Minicross/Junior	1996-2000	FA083TT		FA083R				
MX 85	2005-2009	FA181TT	MXS181	FA181R	MD6349C			
MX 85	2010-2024	FA346TT	MXS346	FA346R				
MX 85 JR	2002-2004	FA181TT	MXS181	FA181R	MD6349C			
MX 85 JR	2002-2004	FA181TT	MXS181	FA181R	MD6349C			
MX 85 JR	2005-2009	FA181TT	MXS181	FA181R	MD6349C			
MX 85 JR	2010-2024	FA346TT	MXS346	FA346R				
SMX 85 2S	2010-2021	FA346TT	MXS346	FA346R				
80/85/100	2002-2004	FA181TT	MXS181	FA181R				
Junior 80/85/100 Cross	2002-2004	FA181TT	MXS181	FA181R				
Junior 80/85/100 Cross	2005-2007	FA181TT	MXS181	FA181R				
MX 100 JNR	2019-2024	FA346TT	MXS346	FA346R				
MX 112 JNR	2019-2024	FA346TT	MXS346	FA346R				
125 Cross	1995-2000	FA181TT	MXS181	FA181R				
125 Enduro	1995-2000	FA181TT	MXS181	FA181R				
EN 125 Enduro	2001-2004	FA181TT	MXS181	FA181R	MD6349C			
EN 125 Enduro	2005-2009	FA181TT	MXS181	FA181R	MD6349C			
EN 125 Enduro 2S inc Tsi	2010-2024	FA181TT	MXS181	FA181R			MD6437CX	
MX 125	2001-2004	FA181TT	MXS181	FA181R	MD6349C			
MX 125	2005-2009	FA181TT	MXS181	FA181R	MD6349C			
MX 125 2T	2010-2024	FA181TT	MXS181	FA181R			MD6437CX	
SMM 125 Black Dream	2004-2007							
SMM 125 Black Dream	2008-2015			FA322/4HH★				
SMR 125	2005-2014			FA095HH★				
SMR 125	2015			FA322/4HH★				
SMR 125 Tsi	2019-2021			FA447HH★				
SMX 125	2015			FA322/4HH★				
EN 144	2008-2009	FA181TT	MXS181	FA181R	MD6349C			
EN 144 2S inc Tsi	2010-2024	FA181TT	MXS181	FA181R			MD6437CX	
MX 144	2008-2009	FA181TT	MXS181	FA181R	MD6349C			
MX 144 2S	2010-2024	FA181TT	MXS181	FA181R			MD6437CX	
250 Enduro	1995-2000	FA181TT	MXS181	FA181R				
Cross 250	1995-2000	FA181TT	MXS181	FA181R				
EN 250 Enduro	2001-2004	FA181TT	MXS181	FA181R	MD6349C			
EN 250 Enduro	2005-2009	FA181TT	MXS181	FA181R	MD6349C			
EN 250 F Enduro	2004	FA181TT	MXS181	FA181R	MD6349C			
EN 250 F Enduro	2005-2009	FA181TT	MXS181	FA181R	MD6349C			
EN 250 Fi ES - Twin Enduro	2010-2024	FA181TT	MXS181	FA181R			MD6437CX	
EN 250 Tsi ES Enduro 2T	2010-2024	FA181TT	MXS181	FA181R			MD6437CX	
EN 250 Tsi ES Enduro 4T	2010-2024	FA181TT	MXS181	FA181R			MD6437CX	
MX 250	2001-2004	FA181TT	MXS181	FA181R	MD6349C			
MX 250	2002-2004	FA181TT	MXS181	FA181R	MD6349C			
MX 250	2005-2009	FA181TT	MXS181	FA181R	MD6349C			
MX 250	2005-2009	FA181TT	MXS181	FA181R	MD6349C			
MX 250 2S	2010-2024	FA181TT	MXS181	FA181R			MD6437CX	
MX 250 Fi ES 4T	2010-2024	FA181TT	MXS181	FA181R			MD6437CX	
SM 250	2002			FA095HH★				
SME 250	2004			FA095HH★				
SMM 250	2015			FA322/4HH★				
SMM 250	2005-2014			FA095HH★				
SMM 250 F	2010-2015			FA322/4HH★				
SMR 250	2005-2014			FA095HH★				
SMR 250	2015			FA322/4HH★				
SMR 250 F	2010-2015			FA322/4HH★				
SMX 250 F	2012-2015			FA322/4HH★				
SMX 250 R	2015			FA322/4HH★				
300 Enduro	1995-2000	FA181TT	MXS181	FA181R				
Cross 300	1995-2000	FA181TT	MXS181	FA181R				

Line #
1
2
3
4
5
6
7
8
9
10
11
12
13
14
15
16
17
18
19
20
21
22
23
24
25
26
27
28
29
30
31
32
33
34
35
36
37
38
39
40
41
42
43
44
45
46
47
48
49
50
51
52
53
54
55
56
57
58
59
60

R Suffix = High Durability Sintered Pad. **HH** Suffix = High Performance Sintered Pad. **TT** Suffix = Hard Wearing Off Road Pad. **V** Suffix = Semi Sintered Pad. **G** Suffix = Grooved Shoe.
D Suffix = Drilled Disc. **X** Suffix = Universal Left or Right Disc. **XC** Suffix = Contoured Disc. **LS** Suffix = Left/Steel Disc. **RS** = Right/Steel Disc.

*-2 Sets Required. † For Vee disc colours add RED, BLU, GRN, GLD, ORG suffix to part number.

⊗ - Also available as a Vintage Motorcycle Disc. ★ - EPFA available. ⚙ Disc made of Billet steel. ♦ CE solid discs for Enduro use.

Non-JAPANESE Built Motorcycles

BRAKE APPLICATIONS

Line #	BRAKE DISC CHOICES - FRONT			DISC PAD CHOICES - REAR				BRAKE DISC CHOICES - REAR					
	SMX Oversize 320mm Disc Kit Front Left	Front disc bolt kit	Front Brake Line	FA, SFA, TT Pad or Brake Shoe	SFAC Carbon Scooter Pads	Speciality Pads - SXR / Vee / MXS	Sintered HH/R Pads/ Grooved Shoes	Standard Replacement Disc	Contour Disc Rear Fitment	Vee Discs CONTOUR	CX Extreme MX Race Disc / UTVX Disc	Rear disc bolt kit	Rear Brake Line
1				FA208TT		MXS208	FA208R						
2				FA208TT		MXS208	FA208R						
3				FA084/3TT		MXS084/3	FA084/3R						
4				FA367TT		MXS367	FA367R		MD6350C				
5				FA346TT		MXS346	FA346R						
6				FA131TT		MXS131	FA131R		MD6350C				
7				FA131TT		MXS131	FA131R		MD6350C				
8				FA367TT		MXS367	FA367R		MD6350C				
9				FA346TT		MXS346	FA346R						
10				FA346TT		MXS346	FA346R						
11				FA208TT		MXS208	FA208R						
12				FA208TT		MXS208	FA208R						
13				FA367TT		MXS367	FA367R						
14				FA346TT		MXS346	FA346R						
15				FA346TT		MXS346	FA346R						
16				FA208TT		MXS208	FA208R						
17				FA208TT		MXS208	FA208R						
18				FA131TT		MXS131	FA131R		MD6350C				
19				FA367TT		MXS367	FA367R		MD6350C				
20				FA367TT		MXS367	FA367R		MD6436CX				
21				FA131TT		MXS131	FA131R		MD6350C				
22				FA367TT		MXS367	FA367R		MD6350C				
23				FA367TT		MXS367	FA367R		MD6436CX				
24				FA047			FA047HH						
25				FA047			FA047HH						
26				FA367TT			FA367R						
27				FA367TT			FA367R						
28				FA367TT			FA367R						
29				FA367TT		MXS367	FA367R						
30				FA367TT		MXS367	FA367R		MD6350C				
31				FA367TT		MXS367	FA367R		MD6436CX				
32				FA367TT		MXS367	FA367R		MD6350C				
33				FA367TT		MXS367	FA367R		MD6436CX				
34				FA208TT		MXS208	FA208R						
35				FA208TT		MXS208	FA208R						
36				FA131TT		MXS131	FA131R		MD6350C				
37				FA367TT		MXS367	FA367R		MD6350C				
38				FA131TT		MXS131	FA131R		MD6350C				
39				FA367TT		MXS367	FA367R		MD6350C				
40				FA367TT		MXS367	FA367R		MD6436CX				
41				FA367TT		MXS367	FA367R		MD6436CX				
42				FA367TT		MXS367	FA367R		MD6436CX				
43				FA131TT		MXS131	FA131R		MD6350C				
44				FA131TT		MXS131	FA131R		MD6350C				
45				FA367TT		MXS367	FA367R		MD6350C				
46				FA367TT		MXS367	FA367R		MD6350C				
47				FA367TT		MXS367	FA367R		MD6436CX				
48				FA367TT		MXS367	FA367R		MD6436CX				
49							FA131R						
50							FA131R						
51							FA047HH						
52							FA047HH						
53							FA367R						
54							FA367R						
55							FA367R						
56							FA367R						
57				FA367TT		MXS367	FA367R						
58				FA367TT		MXS367	FA367R						
59				FA208TT		MXS208	FA208R						
60				FA208TT		MXS208	FA208R						

REAR / ARRIÈRE / HINTEN / POSTERIOR / POSTERIORE

R Suffix = High Durability Sintered Pad. **HH** Suffix = High Performance Sintered Pad. **TT** Suffix = Hard Wearing Off Road Pad. **V** Suffix = Semi Sintered Pad. **G** Suffix = Grooved Shoe.
D Suffix = Drilled Disc. **X** Suffix = Universal Left or Right Disc. **XC** Suffix = Contoured Disc. **LS** Suffix = Left/Steel Disc. **RS** = Right/Steel Disc.

*-2 Sets Required. † For Vee disc colours add RED, BLU, GRN, GLD, ORG suffix to part number.

⊙ - Also available as a Vintage Motorcycle Disc. ★ - EPFA available. ⚙ Disc made of Billet steel. ♦ CE solid discs for Enduro use.

Part numbers, prefixes, suffixes, photos and illustrations shown in this catalogue are trademarks and/or copyrights of EBC Brakes or the trademark owner A C Freeman Investments Ltd and use without express written permission of the owners is punishable by law.

Non-JAPANESE Built Motorcycles



T.M. Contd.



DISC PAD CHOICES - FRONT

BRAKE DISC CHOICES - FRONT

R Suffix = High Durability Sintered Pad. HH Suffix = High Performance Sintered Pad. TT Suffix = Hard Wearing Off Road Pad. V Suffix = Semi Sintered Pad. G Suffix = Grooved Shoe.

D Suffix = Drilled Disc. X Suffix = Universal Left or Right Disc. XC Suffix = Contoured Disc. LS Suffix = Left/Steel Disc. RS = Right/Steel Disc.

FRONT / AVANT / VORN / FRENTE / ANTERIORE

		FA, SFA, TT Pad or Brake Shoe	SFAC Carbon Scooter Pads	Speciality Pads - SXR / Vee / MXS	Sintered/HH Pads/ Grooved Shoes	Standard Replacement Discs	Contour Disc Universal Left and Right	Vee-Discs Black † See note below	CX Extreme Disc / UTVX Disc	OSX Oversize 250mm or 280mm	Line #
EN 300 Enduro	2001-2004	FA181TT		MXS181	FA181R		MD6349C				1
EN 300 Enduro	2005-2009	FA181TT		MXS181	FA181R		MD6349C				2
EN 300 Enduro 2S ES inc Tsi ES 2T	2010-2024	FA181TT		MXS181	FA181R				MD6437CX		3
EN 300 Fi ES Twin Enduro 4T	2010-2024	FA181TT		MXS181	FA181R				MD6437CX		4
FT 300 2S ES	2019-2021	FA181TT		MXS181	FA181R						5
MX 300	2001-2004	FA181TT		MXS181	FA181R		MD6349C				6
MX 300	2005-2009	FA181TT		MXS181	FA181R		MD6349C				7
MX 300 2S ES 2T	2010-2024	FA181TT		MXS181	FA181R				MD6437CX		8
MX 300 Fi ES - Twin 4T	2010-2024	FA181TT		MXS181	FA181R				MD6437CX		9
SMM 300	2005-2014				FA095HH★						10
SMM 300	2015				FA322/4HH★						11
SMR 300	2005-2014				FA095HH★						12
SMR 300	2015				FA322/4HH★						13
SMR 300 Tsi ES	2019-2021				FA447HH★						14
SMX 300	2015				FA322/4HH★						15
SMX 300 2S ES	2019-2021				FA447HH★						16
Cross 400	1995-2000	FA181TT		MXS181	FA181R						17
Cross 400 MX	2002-2003	FA181TT		MXS181	FA181R						18
SM 400	2002-2003	FA095			FA095HH★						19
SME 400	2004	FA095			FA095HH★						20
SMM 400	2004										21
EN 450 F	2004	FA181TT		MXS181	FA181R		MD6349C				22
EN 450 Fi	2005-2009	FA181TT		MXS181	FA181R		MD6349C				23
EN 450 Fi ES	2010-2024	FA181TT		MXS181	FA181R				MD6437CX		24
FT 450 Fi ES	2020-2021	FA181TT		MXS181	FA181R				MD6437CX		25
MX 450 F	2004	FA181TT		MXS181	FA181R		MD6349C				26
MX 450 Fi	2005-2009	FA181TT		MXS181	FA181R		MD6349C				27
MX 450 Fi ES 4T	2010-2024	FA181TT		MXS181	FA181R				MD6437CX		28
SMM 450 F	2011-2015				FA322/4HH★						29
SMM 450 F Black Dream ES	2008-2010				FA322/4HH★						30
SMR 450 F ES	2005-2009				FA095HH★						31
SMR 450 Fi ES	2010-2024				FA447HH★						32
SMX 450 Fi	2005-2015				FA322/4HH★						33
Cross 530	1998-2000	FA181TT		MXS181	FA181R						34
Cross 530	2002-2003	FA095			FA095HH★						35
EN 530 F	2004	FA181TT		MXS181	FA181R		MD6349C				36
EN 530 F	2005-2009	FA181TT		MXS181	FA181R		MD6349C				37
EN 530 Fi ES	2010-2021	FA181TT		MXS181	FA181R				MD6437CX		38
FT 530 Fi ES	2019-2021	FA181TT		MXS181	FA181R						39
MX 530 F	2005-2009	FA181TT		MXS181	FA181R		MD6349C				40
MX 530 Fi ES	2010-2024	FA181TT		MXS181	FA181R				MD6437CX		41
SM 530	2002-2003				FA095HH★						42
SME 530	2004				FA095HH★						43
SMM 530 Black Dream ES	2008-2010				FA322/4HH★						44
SMM 530 F Black Dream	2004-2007				FA095HH★						45
SMR 530 F ES	2005-2009				FA095HH★						46
SMR 530 Fi ES	2010-2015				FA322/4HH★						47
SMR 530 Fi ES	2019-2021				FA447HH★				MD6437CX		48
SMX 530 F	2005-2014				FA322/4HH★						49
SMX 660 F	2004				FA095HH★						50
SMX 660 F	2005-2010				FA322/4HH★						51
											52
											53
TAISHAN PROJECT QUADS											
Commuter 50	2003-2005	S632									54
Panther 50 Quad	2003-2004	FA054TT			FA054HH						55
Sport 50	2003-2005	S632									56
XT 50	2003-2004	FA054TT			FA054HH						57
Hurricane 125 Quad	2004-2005										58
XT 125 Sport	2004-2005	FA054TT			FA054HH						59
Explorer 150 Quad	2004-2005										60

*-2 Sets Required. † For Vee disc colours add RED, BLU, GRN, GLD, ORG suffix to part number.

⊗ - Also available as a Vintage Motorcycle Disc. ★ - EPFA available. ⚙ - Disc made of Billet steel. ♦ - CE solid discs for Enduro use.

370 Part numbers, prefixes, suffixes, photos and illustrations shown in this catalogue are trademarks and/or copyrights of EBC Brakes or the trademark owner A C Freeman Investments Ltd and use without express written permission of the owners is punishable by law.

Non-JAPANESE Built Motorcycles

Line #	BRAKE DISC CHOICES - FRONT			DISC PAD CHOICES - REAR				BRAKE DISC CHOICES - REAR					
	SMX Oversize 320mm Disc Kit Front Left	Front disc bolt kit	Front Brake Line	FA, SFA, TT Pad or Brake Shoe	SFAC Carbon Scooter Pads	Speciality Pads - SXR / Vee / MXS	Sintered HH/R Pads/ Grooved Shoes	Standard Replacement Disc	Contour Disc Rear Fitment	Vee Discs CONTOUR	CX Extreme MX Race Disc / UTVX Disc	Rear disc bolt kit	Rear Brake Line
1				FA131TT		MXS131	FA131R		MD6350C				
2				FA367TT		MXS367	FA367R		MD6350C				
3				FA367TT		MXS367	FA367R		MD6436CX				
4									MD6436CX				
5				FA367TT		MXS367	FA367R						
6				FA131TT		MXS131	FA131R		MD6350C				
7				FA367TT		MXS367	FA367R		MD6350C				
8				FA367TT		MXS367	FA367R		MD6436CX				
9				FA367TT		MXS367	FA367R		MD6436CX				
10							FA047HH						
11							FA047HH						
12							FA367R						
13							FA367R						
14							FA367R						
15							FA367R						
16							FA367R						
17				FA208TT		MXS208	FA208R						
18				FA131TT		MXS131	FA131R						
19				FA131TT		MXS131	FA131R						
20				FA131TT		MXS131	FA131R						
21				FA047			FA047HH						
22				FA131TT		MXS131	FA131R		MD6350C				
23				FA367TT		MXS367	FA367R		MD6350C				
24				FA367TT		MXS367	FA367R		MD6436CX				
25				FA367TT		MXS367	FA367R		MD6436CX				
26				FA131TT		MXS131	FA131R		MD6350C				
27				FA367TT		MXS367	FA367R		MD6350C				
28				FA367TT		MXS367	FA367R		MD6436CX				
29							FA047HH						
30							FA047HH						
31							FA367R						
32							FA367R						
33							FA367R						
34				FA208TT		MXS208	FA208R						
35				FA131TT		MXS131	FA131R						
36				FA131TT		MXS131	FA131R		MD6350C				
37				FA367TT		MXS367	FA367R		MD6350C				
38				FA367TT		MXS367	FA367R		MD6436CX				
39				FA367TT		MXS367	FA367R						
40				FA367TT		MXS367	FA367R		MD6350C				
41				FA367TT		MXS367	FA367R		MD6436CX				
42				FA131TT		MXS131	FA131R						
43				FA131TT		MXS131	FA131R						
44				FA047			FA047HH						
45				FA047			FA047HH						
46							FA367R						
47							FA367R						
48							FA367R		MD6436CX				
49							FA367R						
50							FA131R						
51							FA367R						
52													
53													
54				H303									
55				H303									
56													
57													
58				FA165TT			FA165R						
59													
60				FA165TT			FA165R						

REAR / ARRIÈRE / HINTEN / POSTERIOR / POSTERIORE

R Suffix = High Durability Sintered Pad. **HH** Suffix = High Performance Sintered Pad. **TT** Suffix = Hard Wearing Off Road Pad. **V** Suffix = Semi Sintered Pad. **G** Suffix = Grooved Shoe.
D Suffix = Drilled Disc. **X** Suffix = Universal Left or Right Disc. **XC** Suffix = Contoured Disc. **LS** Suffix = Left/Steel Disc. **RS** = Right/Steel Disc.

*-2 Sets Required. † For Vee disc colours add RED, BLU, GRN, GLD, ORG suffix to part number.

⊗ - Also available as a Vintage Motorcycle Disc. ★ - EPFA available. Ⓢ Disc made of Billet steel. ◆ CE solid discs for Enduro use.

Part numbers, prefixes, suffixes, photos and illustrations shown in this catalogue are trademarks and/or copyrights of EBC Brakes or the trademark owner A C Freeman Investments Ltd and use without express written permission of the owners is punishable by law.

Non-JAPANESE Built Motorcycles



TAISHAN Project Quads

Contd.



DISC PAD CHOICES - FRONT

BRAKE DISC CHOICES - FRONT

FRONT / AVANT / VORN / FRENTE / ANTERIORE

FA, SFA, TT Pad or Brake Shoe	SFAC Carbon Scooter Pads	Speciality Pads - SXR / Vee / MXS	Sintered/HH Pads/ Grooved Shoes	Standard Replacement Discs	Contour Disc Universal Left and Right	Vee-Discs Black † See note below	CX Extreme Disc / UTVX Disc	OSX Oversize 250mm or 280mm
Tornado 200 Quad 2004								
TERRAMOTO								
TDX 125 F 2007	SFA169	SFAC169	SFA169HH					
TDX 125 F Krusha 2007	SFA169	SFAC169	SFA169HH					
TDX 125 F Street Ripa 2007	SFA169	SFAC169	SFA169HH					
TGB								
309RS 50 50 2002-2003	SFA093			MD923D		VR923		
Akros Tec 50 2003-2004	SFA264	SFAC264	SFA264HH	MD923D		VR923		
Bull& T 50 RR 2011-2012	SFA083	SFAC083	SFA083HH					
Bull& T 50 RS 2011-2012	SFA083	SFAC083	SFA083HH					
City 50 2007-2008	SFA083	SFAC083	SFA083HH	MD923D		VR923		
City 50 2007-2011	SFA083	SFAC083	SFA083HH	MD923D		VR923		
Delivery Scooter 50 2004-2006	SFA264	SFAC264	SFA264HH	MD923D		VR923		
Delivery/Express 50 2006-2012	SFA083	SFAC083	SFA083HH	MD923D		VR923		
High Wheel 50 2002-2003	SFA083	SFAC083	SFA083HH	MD923D		VR923		
Hornet 50 Quad 2004-2005	H338*		H338G*					
R50 X Bullet 2006-2010	SFA093			MD9115D				
R50 X Bullet 2010-2014	SFA093							
Tapo RR 50 2010-2012	SFA083	SFAC083	SFA083HH					
Tapo RS 50 2010-2012	SFA083	SFAC083	SFA083HH					
Trigger 50 2002-2003	SFA083	SFAC083	SFA083HH	MD923D		VR923		
X Race 50 2011-2012	SFA083	SFAC083	SFA083HH					
101R 50 2004-2009	SFA264	SFAC264	SFA264HH	MD923D		VR923		
Bellavita 125i 2012-2014	SFA264	SFAC264	SFA264HH					
Delivery/Express 125 2004-2014	SFA093			MD9115D				
R125 X Bullet 2008-2009	SFA093			MD9115D				
R125 X Bullet 2010-2014	SFA093							
X-Motion 125 2008-2014	SFA484							
X-Motion 125 Ri 2011-2012	SFA484							
202 Classic 50 2003-2014	SFA083	SFAC083	SFA083HH	MD923D		VR923		
204 Classic 125 2003-2004	SFA083	SFAC083	SFA083HH					
250 Blade/Congo ATV 2006-2007	FA067TT*		FA067R*					
Bullet 2 50 2011-2012	SFA083	SFAC083	SFA083HH					
X-Motion 250i 2008-2010	SFA484							
Bellavita 300i 2012-2014	SFA264	SFAC264	SFA264HH					
X-Motion 300 EFI 2010-2012	SFA484							
302 Sport 50 2003-2009	SFA093			MD9115D				
303 Revolution 50/125 2002-2003	SFA083		SFA083HH	MD923D		VR923		
303R Hawk/Laser 125/150 2004-2008	SFA093			MD9115D				
303R Hawk/Laser 125/150 2009-2014	SFA093							
303R Hawk/Laser 50 2004-2014	SFA083	SFAC083	SFA083HH	MD923D		VR923		
304 Sport 125 2003-2009	SFA093			MD9115D				
Blade 325 LE Quad 4x2 2008-2010	FA083TT*		FA083R*					
Blade 325 Quad 4x2 2007-2011	FA083TT*		FA083R*					
Blade 325 Quad 4x2 SL Quad 4x2 2011-2012	FA083TT*		FA083R*					
Target 325 325 4 x 2 2009-2012	FA083TT*		FA083R*					
Avenger 400 LE Quad 4x2 2009-2010	FA377TT*		FA377R*					
Avenger 400 Quad 4x2 2007-2009	FA377TT*		FA377R*					
Target 400 4 x 2 2009-2010	FA083TT*		FA083R*					
404 Executive 2003-2004	SFA093							
F409 Cruise 50/125 2002-2005	SFA083	SFAC083	SFA083HH	MD923D		VR923		
Blade 4 x 4 425 Quad 2007-2009	FA377TT*		FA377R*					
Blade SE 4 x 4 425 Quad 2009-2010	FA377TT*		FA377R*					
Target 425 4x4 2009-2011	FA083TT*		FA083R*					
Blade 450 SE 4x4 2010-2011	FA377TT*		FA377R*					
Blade 460 Target IRS 2012	FA083TT*		FA083R*					
Blade 460 Target Ri 2012	FA083TT*		FA083R*					
Blade 460 Target SL IRS 4 x 4 2012	FA377TT*		FA377R*					

Line #

1
2
3
4
5
6
7
8
9
10
11
12
13
14
15
16
17
18
19
20
21
22
23
24
25
26
27
28
29
30
31
32
33
34
35
36
37
38
39
40
41
42
43
44
45
46
47
48
49
50
51
52
53
54
55
56
57
58
59
60

R Suffix = High Durability Sintered Pad. HH Suffix = High Performance Sintered Pad. TT Suffix = Hard Wearing Off Road Pad. V Suffix = Semi Sintered Pad. G Suffix = Grooved Shoe.
D Suffix = Drilled Disc. X Suffix = Universal Left or Right Disc. XC Suffix = Contoured Disc. LS Suffix = Left/Steel Disc. RS = Right/Steel Disc.

*-2 Sets Required. † For Vee disc colours add RED, BLU, GRN, GLD, ORG suffix to part number.

⊗ - Also available as a Vintage Motorcycle Disc. ★ - EPFA available. ⚙ Disc made of Billet steel. ♦ CE solid discs for Enduro use.

372 Part numbers, prefixes, suffixes, photos and illustrations shown in this catalogue are trademarks and/or copyrights of EBC Brakes or the trademark owner A C Freeman Investments Ltd and use without express written permission of the owners is punishable by law.

Non-JAPANESE Built Motorcycles

Line #	BRAKE DISC CHOICES - FRONT			DISC PAD CHOICES - REAR				BRAKE DISC CHOICES - REAR					
	SMX Oversize 320mm Disc Kit Front Left	Front disc bolt kit	Front Brake Line	FA, SFA, TT Pad or Brake Shoe	SFAC Carbon Scooter Pads	Speciality Pads - SXR / Vee / MXS	Sintered HH/R Pads/ Grooved Shoes	Standard Replacement Disc	Contour Disc Rear Fitment	Vee Discs CONTOUR	CX Extreme MX Race Disc / UTVX Disc	Rear disc bolt kit	Rear Brake Line
1				FA165TT			FA165R						
2													
3													
4				SFA169	SFAC169		SFA169HH						
5				SFA169	SFAC169		SFA169HH						
6				SFA169	SFAC169		SFA169HH						
7													
8													
9				897									
10				897									
11				SFA083	SFAC083		SFA083HH						
12				SFA083	SFAC083		SFA083HH						
13				897									
14				897									
15				897									
16				897									
17				897									
18				FA083TT			FA083R						
19				SFA083				MD9115D					
20				SFA083									
21				897									
22				897									
23				897									
24				897									
25				897									
26				SFA298	SFAC298		SFA298HH						
27				820									
28				SFA083				MD9115D					
29				SFA083									
30				SFA427									
31				SFA427									
32				897									
33													
34				FA083TT			FA083R						
35				897									
36				SFA427									
37				SFA298	SFAC298		SFA298HH						
38				SFA427									
39				897									
40				897									
41				820									
42				820									
43				897									
44				897									
45				FA067TT			FA067R						
46				FA067TT			FA067R						
47				FA067TT			FA067R						
48				FA067TT			FA067R						
49				FA377TT*			FA377R*						
50				FA377TT*			FA377R*						
51				FA067TT			FA067R						
52													
53				897									
54				FA377TT*			FA377R*						
55				FA377TT*			FA377R*						
56				FA067TT			FA067R						
57				FA067TT			FA067R						
58				FA067TT			FA067R						
59				FA067TT			FA067R						
60				FA067TT			FA067R						

REAR / ARRIÈRE / HINTEN / POSTERIOR / POSTERIORE

R Suffix = High Durability Sintered Pad. **HH** Suffix = High Performance Sintered Pad. **TT** Suffix = Hard Wearing Off Road Pad. **V** Suffix = Semi Sintered Pad. **G** Suffix = Grooved Shoe.
D Suffix = Drilled Disc. **X** Suffix = Universal Left or Right Disc. **XC** Suffix = Contoured Disc. **LS** Suffix = Left/Steel Disc. **RS** = Right/Steel Disc.

BRAKE APPLICATIONS

*-2 Sets Required. † For Vee disc colours add RED, BLU, GRN, GLD, ORG suffix to part number.

⊙ - Also available as a Vintage Motorcycle Disc. ★ - EPFA available. ⚙ Disc made of Billet steel. ♦ CE solid discs for Enduro use.

Part numbers, prefixes, suffixes, photos and illustrations shown in this catalogue are trademarks and/or copyrights of EBC Brakes or the trademark owner A C Freeman Investments Ltd and use without express written permission of the owners is punishable by law.

Non-JAPANESE Built Motorcycles



TGB Contd.

		DISC PAD CHOICES - FRONT			BRAKE DISC CHOICES - FRONT					Line #	
		FA, SFA, TT Pad or Brake Shoe	SFAC Carbon Scooter Pads	Speciality Pads - SXR / Vee / MXS	Sintered/HH Pads/ Grooved Shoes	Standard Replacement Discs	Contour Disc Universal Left and Right	Vee-Discs Black † See note below	CX Extreme Disc / UTVX Disc	OSX Oversize 250mm or 280mm	
Avenger 500 R Quad 4x2	2009-2010	FA377TT*			FA377R*						1
Target 500 4x2	2009-2010	FA083TT*			FA083R*						2
Blade 510 LE	2011-2012	FA377TT*			FA377R*						3
525 SE 4 x 4	2009	FA377TT*			FA377R*						4
Blade 525 SE 4x4	2009-2010	FA377TT*			FA377R*						5
Blade 525 SL 4x4	2009-2010	FA377TT*			FA377R*						6
Target 525 4 x 4	2009-2011	FA083TT*			FA083R*						7
Blade 550 IRS LT	2010-2012	FA377TT*			FA377R*						8
Blade 550 IRS Target	2011-2012	FA377TT*			FA377R*						9
Blade 550 LT 4x4	2010-2011	FA377TT*			FA377R*						10
Blade 550 SE 4x4	2009-2011	FA377TT*			FA377R*						11
Blade 550 SL 4x4	2009-2010	FA377TT*			FA377R*						12
Gunner 550 4 x 4 Target	2010-2012	FA377TT*			FA377R*						13

THUMPSTAR

Thumpstar Junior 90	2004-2006	SFA169	SFAC169		SFA169HH						14
Thumpstar Supa 110	2004-2006	SFA169	SFAC169		SFA169HH						15
Thumpstar 125 Road Ripper	2006	SFA169	SFAC169		SFA169HH						16
Thumpstar Expert 125	2006	SFA169	SFAC169		SFA169HH						17
Thumpstar Pro 125	2005-2006	SFA169	SFAC169		SFA169HH						18

TOMOS

Alpino 45 R	2005-2006	909									19
APN 6 R	1984	SFA115	SFAC115		SFA115HH						20
Classic XL R	1973	909									21
Flexer EX 25 R	2000	909									22
Flexer XL R	2001	909									23
Funsport R 25 R	2006	909									24
Funtastic 25 R	2016	SFA115	SFAC115		SFA115HH						25
Hip Hop R	2017	SFA115	SFAC115		SFA115HH						26
Luxe EX 25	2016	909									27
Luxe R	2017	909									28
MC 50 Senior Pro	2005-2007	FA351TT									29
MC 50 Senior R	2005-2007	FA325TT			FA325R						30
Moped with cast wheels R	2006	931									31
Moped with spoke wheels R	2006	908									32
Pack'R EX R	2012	909									33
Quadro EX	1993	909									34
Quadro R	2007	909									35
Racing R	2017	SFA115	SFAC115		SFA115HH						36
Revival TS R	2003-2004	SFA116									37
Revival TS R	2006	SFA115	SFAC115		SFA115HH						38
Standard R	2006	909									39
Standard XL	2006	909									40
Streetmate R	2008-2009	SFA116									41
MC 80 R	2005-2007	FA325TT			FA325R						42
SE 125 F R	2005-2008	FA167			FA167HH						43
SM 125 F R	2005-2008	FA266			FA266HH						44

TRIUMPH HINCKLEY PRODUCED MACHINES

TF 250-X	2024	FA181TT		MXS181	FA181R						45
Scrambler 400 X	2024	FA606			FA606HH★						46
Speed 400	2024	FA606			FA606HH★						47
T595 Daytona E	1997	FA236*			FA236HH*★	MD647X*	MD647XC*	VR647BLK*†			48
Daytona 600	2003-2004	FA236*			FA236HH*★	MD662X*	MD662XC*	VR662BLK*†			49
Speedfour 600	2002-2005	FA236*			FA236HH*★	MD662X*	MD662XC*	VR662BLK*†			50
TT 600	2000-2003	FA236*			FA236HH*★	MD662X*	MD662XC*	VR662BLK*†			51
Daytona 650	2005	FA236*			FA236HH*★	MD662X*	MD662XC*	VR662BLK*†			52
Street Triple S 660	2017-2020	FA226*			FA226HH*★	MD852X*					53
Tiger Sport 660	2021-2024	FA226*			FA226HH*★						54

*-2 Sets Required. † For Vee disc colours add RED, BLU, GRN, GLD, ORG suffix to part number.

⊗ - Also available as a Vintage Motorcycle Disc. ★ - EPFA available. ⚙ - Disc made of Billet steel. ◆ - CE solid discs for Enduro use.

374 Part numbers, prefixes, suffixes, photos and illustrations shown in this catalogue are trademarks and/or copyrights of EBC Brakes or the trademark owner A C Freeman Investments Ltd and use without express written permission of the owners is punishable by law.

FRONT / AVANT / VORN / FREITE / ANTERIORE

R Suffix = High Durability Sintered Pad. HH Suffix = High Performance Sintered Pad. TT Suffix = Hard Wearing Off Road Pad. V Suffix = Semi Sintered Pad. G Suffix = Grooved Shoe.
D Suffix = Drilled Disc. X Suffix = Universal Left or Right Disc. XC Suffix = Contoured Disc. LS Suffix = Left/Steel Disc. RS = Right/Steel Disc.

Non-JAPANESE Built Motorcycles

Line #	BRAKE DISC CHOICES - FRONT			DISC PAD CHOICES - REAR				BRAKE DISC CHOICES - REAR					
	SMX Oversize 320mm Disc Kit Front Left	Front disc bolt kit	Front Brake Line	FA, SFA, TT Pad or Brake Shoe	SFAC Carbon Scooter Pads	Speciality Pads - SXR / Vee / MXS	Sintered HH/R Pads/ Grooved Shoes	Standard Replacement Disc	Contour Disc Rear Fitment	Vee Discs CONTOUR	CX Extreme MX Race Disc / UTVX Disc	Rear disc bolt kit	Rear Brake Line
1				FA377TT*			FA377R*						
2				FA067TT			FA067R						
3				FA067TT			FA067R						
4				FA067TT			FA067R						
5				FA377TT*			FA377R*						
6				FA067TT			FA067R						
7				FA067TT			FA067R						
8				FA067TT			FA067R						
9				FA067TT			FA067R						
10				FA067TT			FA067R						
11				FA067TT			FA067R						
12				FA067TT			FA067R						
13				FA377TT*			FA377R*						
14													
15													
16				SFA169	SFAC169		SFA169HH						
17				SFA169	SFAC169		SFA169HH						
18				SFA169	SFAC169		SFA169HH						
19				SFA169	SFAC169		SFA169HH						
20				SFA169	SFAC169		SFA169HH						
21													
22													
23				909									
24				909									
25				909									
26				909									
27				909									
28				909									
29				909									
30				909									
31				909									
32				909									
33				FA351TT									
34				FA325TT			FA325R						
35				931									
36				908									
37				909									
38				909									
39				909									
40				909									
41													
42				909									
43				909									
44				909									
45													
46				FA325TT			FA325R						
47				FA115			FA115HH						
48				FA115			FA115HH						
49													
50													
51				FA368TT		MXS368	FA368R						
52				FA213			FA213HH★						
53				FA213			FA213HH★						
54				FA214/2			FA214/2HH	MD648	MD648C	VR648		DB605/4	
55			BLM8198-2F	FA140			FA140HH	MD648	MD648C	VR648		DB605/4	
56				FA140			FA140HH	MD648	MD648C	VR648		DB605/4	
57			BLM8232-2F	FA140			FA140HH	MD648	MD648C	VR648		DB605/4	
58				FA140			FA140HH	MD648	MD648C	VR648		DB605/4	
59				FA213			FA213HH★	MD851	MD851C				
60				FA140			FA140HH						

REAR / ARRIÈRE / HINTEN / POSTERIOR / POSTERIORE

R Suffix = High Durability Sintered Pad. **HH** Suffix = High Performance Sintered Pad. **TT** Suffix = Hard Wearing Off Road Pad. **V** Suffix = Semi Sintered Pad. **G** Suffix = Grooved Shoe.
D Suffix = Drilled Disc. **X** Suffix = Universal Left or Right Disc. **XC** Suffix = Contoured Disc. **LS** Suffix = Left/Steel Disc. **RS** = Right/Steel Disc.

*-2 Sets Required. † For Vee disc colours add RED, BLU, GRN, GLD, ORG suffix to part number.

⊙ - Also available as a Vintage Motorcycle Disc. ★ - EPFA available. ⚙ - Disc made of Billet steel. ♦ - CE solid discs for Enduro use.

Part numbers, prefixes, suffixes, photos and illustrations shown in this catalogue are trademarks and/or copyrights of EBC Brakes or the trademark owner A C Freeman Investments Ltd and use without express written permission of the owners is punishable by law.

Non-JAPANESE Built Motorcycles



TRIUMPH

HINCKLEY PRODUCED MACHINES Contd.



DISC PAD CHOICES - FRONT

BRAKE DISC CHOICES - FRONT

FA, SFA, TT Pad or Brake Shoe	SFAC Carbon Scooter Pads	Speciality Pads - SXR / Vee / MXS	Sintered/HH Pads/ Grooved Shoes	Standard Replacement Discs	Contour Disc Universal Left and Right	Vee-Discs Black † See note below	CX Extreme Disc / UTVX Disc	OSX Oversize 250mm or 280mm
Trident 660cc	2021-2024		FA226HH*★					
Daytona 675	2006-2008		FA347HH*★	MD800X*	MD800XC*	VR800BLK*†		
Daytona 675	2009-2012		FA491HH*★	MD800X*	MD800XC*	VR800BLK*†		
Daytona 675	2013-2017		FA491HH*★	MD800X*	MD800XC*	VR800BLK*†		
Daytona 675 R	2011-2012		FA447HH*★	MD852X*	MD852XC*			
Daytona 675 R	2013-2017		FA447HH*★	MD800X*	MD800XC*	VR800BLK*†		
Street Triple 675	2013-2016	FA226*	FA226HH*★	MD852X*	MD852XC*			
Street Triple 675 Naked	2007-2012	FA226*	FA226HH*★	MD800X*	MD800XC*	VR800BLK*†		
Street Triple 675RX	2015-2016		FA347HH*★	MD852X*	MD852XC*			
Street Triple R 675	2009-2012		FA347HH*★	MD800X*	MD800XC*	VR800BLK*†		
Street Triple R 675	2013-2016		FA347HH*★	MD852X*	MD852XC*			
Street Triple R 675	2017-2020		FA447HH*★	MD852X*				
Daytona 750	1992	FA236*	FA236HH*★	MD640*		VR640BLK*†		
Speed Triple 750/900 Carb Models	1994-1996	FA236*	FA236HH*★	MD640*				
Trident 750	1992-1998		FA214HH	MD646LS		VR646BLK*†		
Trident 750	1992-1998	FA215	FA215HH	MD646RS		VR646BLK*†		
Daytona 765 Moto2	2020		FA604/4HH*★					
Street Triple 765 R	2020-2022		FA447HH*★	MD852X*	MD852XC*			
Street Triple 765 R	2023-2024		FA630HH*★	MD852X*	MD852XC*			
Street Triple 765 RS	2023-2024		FA447HH*★	MD8016X*				
Street Triple 765 S	2017-2020		FA226HH*★	MD852X*	MD852XC*			
Street Triple 765R	2018-2019		FA630HH*★	MD852X*	MD852XC*			
Street Triple 765RS	2018-2024		FA447HH*★	MD852X*	MD852XC*			
Bonneville 790cc	2001-2006	FA142	FA142V	FA142HH	MD822			
Bonneville T100 790cc	2002-2004	FA142		FA142HH	MD822			
Speedmaster 790cc/Carbs	2003-2004	FA196*	FA196V*	FA196HH*★	MD649*			
Tiger 800	2011-2014	FA226*		FA226HH*★	MD842X*	MD842XC*	VR842BLK*†	
Tiger 800	2011-2014	FA226*		FA226HH*★	MD842X*	MD842XC*	VR842BLK*†	
Tiger 800 XC	2011-2014	FA226*		FA226HH*★	MD842X*	MD842XC*	VR842BLK*†	
Tiger 800 XC	2011-2020	FA226*		FA226HH*★	MD842X*	MD842XC*	VR842BLK*†	
Tiger 800 XCa	2015-2018	FA226*		FA226HH*★	MD842X*	MD842XC*	VR842BLK*†	
Tiger 800 XCa	2018-2020	FA181TT*		FA181HH*	MD842X*	MD842XC*	VR842BLK*†	
Tiger 800 XCx	2015-2018	FA226*		FA226HH*★	MD842X*	MD842XC*	VR842BLK*†	
Tiger 800 XCx	2018-2020	FA181TT*		FA181HH*	MD842X*	MD842XC*	VR842BLK*†	
Tiger 800 XR	2015-2018	FA226*		FA226HH*★	MD842X*	MD842XC*	VR842BLK*†	
Tiger 800 XRt	2015-2018	FA226*		FA226HH*★	MD842X*	MD842XC*	VR842BLK*†	
Tiger 800 XRt	2018-2020	FA181TT*		FA181HH*	MD842X*	MD842XC*	VR842BLK*†	
Tiger 800 XRx	2015-2018	FA226*		FA226HH*★	MD842X*	MD842XC*	VR842BLK*†	
Tiger 800 XRx	2018-2020	FA181TT*		FA181HH*	MD842X*	MD842XC*	VR842BLK*†	
Tiger 850 Sport	2021-2024			FA447HH*★	MD8014X*	MD8014XC*		
America 865cc	2010-2017	FA142	FA142V	FA142HH	MD822	MD822XC		
America America EE	2007-2009	FA142	FA142V	FA142HH	MD822			
America LT - 865cc	2014-2017	FA142	FA142V	FA142HH	MD822	MD822XC		
Bonneville 865cc	2009-2015	FA196	FA196V	FA196HH*★	MD821	MD821XC		
Bonneville America	2002-2006	FA142	FA142V	FA142HH	MD822			
Bonneville Bonneville Black 865cc	2007-2008	FA142	FA142V	FA142HH	MD822			
Bonneville New Church 865cc	2015	FA196	FA196V	FA196HH*★	MD821	MD821XC		
Bonneville SE 865cc	2009-2011	FA196	FA196V	FA196HH*★	MD821	MD821XC		
Bonneville Spirit 865cc	2015	FA142		FA142HH	MD822	MD822XC		
Bonneville Steve McQueen SE 865cc	2012	FA142		FA142HH	MD822	MD822XC		
Bonneville T100 865cc	2005-2009	FA142		FA142HH	MD822			
Bonneville T100 865cc	2010-2016	FA142		FA142HH	MD822	MD822XC		
Bonneville T100 Black 865cc	2014-2016	FA142		FA142HH	MD822	MD822XC		
Bonneville T214 865cc	2015	FA142	FA142V	FA142HH	MD822	MD822XC		
Scrambler 865	2006-2009	FA142	FA142V	FA142HH	MD822			
Scrambler 865	2010-2015	FA142	FA142V	FA142HH	MD822	MD822XC		
Speedmaster 865cc/Carbs	2005-2007	FA196*	FA196V*	FA196HH*★	MD649*			
Speedmaster 865cc/EFI	2008-2009	FA142*	FA142V*	FA142HH*	MD822*			
Speedmaster 865cc/EFI	2010-2016	FA196	FA196V	FA196HH*★	MD821	MD821XC		
Speed Triple T509 EFI 885cc	1997-1998	FA236*		FA236HH*★	MD647X*	MD647XC*	VR647BLK*†	

FRONT / AVANT / VORN / FRENTE / ANTERIORE

Line #

R Suffix = High Durability Sintered Pad. HH Suffix = High Performance Sintered Pad. TT Suffix = Hard Wearing Off Road Pad. V Suffix = Semi Sintered Pad. G Suffix = Grooved Shoe.

D Suffix = Drilled Disc. X Suffix = Universal Left or Right Disc. XC Suffix = Contoured Disc. LS Suffix = Left/Steel Disc. RS = Right/Steel Disc.

*-2 Sets Required. † For Vee disc colours add RED, BLU, GRN, GLD, ORG suffix to part number.

⊗ - Also available as a Vintage Motorcycle Disc. ★ - EPFA available. ⚙ - Disc made of Billet steel. ♦ - CE solid discs for Enduro use.

Non-JAPANESE Built Motorcycles

Line #	BRAKE DISC CHOICES - FRONT			DISC PAD CHOICES - REAR				BRAKE DISC CHOICES - REAR					
	SMX Oversize 320mm Disc Kit Front Left	Front disc bolt kit	Front Brake Line	FA, SFA, TT Pad or Brake Shoe	SFAC Carbon Scooter Pads	Speciality Pads - SXR / Vee / MXS	Sintered HH/R Pads/ Grooved Shoes	Standard Replacement Disc	Contour Disc Rear Fitment	Vee Discs CONTOUR	CX Extreme MX Race Disc / UTVX Disc	Rear disc bolt kit	Rear Brake Line
1				FA140			FA140HH						
2			BLM8199-2F	FA140			FA140HH	MD648	MD648C	VR648			
3			BLM8199-2F	FA140			FA140HH	MD648	MD648C	VR648			
4			BLM8199-2F	FA213			FA213HH★	MD851	MD851C				
5				FA140			FA140HH	MD648				DB605/4	
6				FA213			FA213HH★	MD851	MD851C				
7				FA213			FA213HH★	MD851	MD851C				
8			BLM8219-2F	FA140			FA140HH	MD648	MD648C	VR648		DB605/4	
9				FA213			FA213HH★	MD851	MD851C				
10			BLM8220-2F	FA140			FA140HH	MD648	MD648C	VR648			
11			BLM8219-2F	FA213			FA213HH★	MD851	MD851C				
12				FA213			FA213HH★	MD851	MD851C				
13			BLM8200-3F	FA215/2			FA215/2HH	MD641		VR641			
14				FA215/2			FA215/2HH	MD641		VR641			
15			BLM8229-3F	FA215/2			FA215/2HH	MD641		VR641			
16			BLM8229-3F	FA215/2			FA215/2HH	MD641		VR641			
17				FA213			FA213HH★						
18				FA213			FA213HH★	MD851					
19				FA213			FA213HH★	MD851					
20				FA213			FA213HH★	MD851					
21				FA213			FA213HH★						
22				FA213			FA213HH★	MD851					
23				FA213			FA213HH★	MD851					
24				FA214/2			FA214/2HH	MD663		VR663			
25			BLM8195-1F	FA214/2			FA214/2HH	MD663		VR663			
26				FA214/2			FA214/2HH	MD643		VR643			
27				FA140			FA140HH	MD663	MD663C	VR663			
28				FA140			FA140HH	MD820	MD820C				
29				FA140			FA140HH	MD663	MD663C	VR663			
30				FA140			FA140HH	MD820	MD820C				
31				FA140			FA140HH	MD820	MD820C				
32				FA140			FA140HH	MD820	MD820C				
33				FA140			FA140HH	MD820	MD820C				
34				FA140			FA140HH	MD820	MD820C				
35				FA140			FA140HH	MD820	MD820C				
36				FA140			FA140HH	MD820	MD820C				
37				FA140			FA140HH	MD820	MD820C				
38				FA140			FA140HH	MD820	MD820C				
39				FA140			FA140HH	MD820	MD820C				
40				FA213			FA213HH★	MD820	MD820C				
41				FA214/2			FA214/2HH	MD643					
42				FA214/2			FA214/2HH	MD643		VR643			
43				FA214/2			FA214/2HH	MD643					
44				FA214/2			FA214/2HH	MD663	MD663C				
45				FA214/2			FA214/2HH	MD643		VR643			
46				FA214/2			FA214/2HH	MD663		VR663			
47				FA214/2			FA214/2HH	MD663	MD663C				
48				FA214/2			FA214/2HH	MD663	MD663C				
49				FA214/2			FA214/2HH	MD663					
50				FA214/2			FA214/2HH	MD663					
51			BLM8195-1F	FA214/2			FA214/2HH	MD663		VR663			
52			BLM8195-1F	FA214/2			FA214/2HH	MD663					
53				FA214/2			FA214/2HH	MD663					
54				FA214/2			FA214/2HH	MD663					
55				FA214/2			FA214/2HH	MD663		VR663			
56				FA214/2			FA214/2HH	MD663					
57				FA214/2			FA214/2HH	MD643		VR643			
58				FA214/2			FA214/2HH	MD643		VR643			
59				FA214/2			FA214/2HH	MD643					
60				FA214/2			FA214/2HH	MD648	MD648C	VR648			

REAR / ARRIÈRE / HINTEN / POSTERIOR / POSTERIORE

R Suffix = High Durability Sintered Pad. HH Suffix = High Performance Sintered Pad. TT Suffix = Hard Wearing Off Road Pad. V Suffix = Semi Sintered Pad. G Suffix = Grooved Shoe.
D Suffix = Drilled Disc. X Suffix = Universal Left or Right Disc. XC Suffix = Contoured Disc. LS Suffix = Left/Steel Disc. RS = Right/Steel Disc.

*-2 Sets Required. † For Vee disc colours add RED, BLU, GRN, GLD, ORG suffix to part number.

⊙ - Also available as a Vintage Motorcycle Disc. ★ - EPFA available. ⚙ Disc made of Billet steel. ♦ CE solid discs for Enduro use.

Part numbers, prefixes, suffixes, photos and illustrations shown in this catalogue are trademarks and/or copyrights of EBC Brakes or the trademark owner A C Freeman Investments Ltd and use without express written permission of the owners is punishable by law.

Non-JAPANESE Built Motorcycles



TRIUMPH

HINCKLEY PRODUCED MACHINES Contd.



DISC PAD CHOICES - FRONT

BRAKE DISC CHOICES - FRONT

R Suffix = High Durability Sintered Pad. HH Suffix = High Performance Sintered Pad. TT Suffix = Hard Wearing Off Road Pad. V Suffix = Semi Sintered Pad. G Suffix = Grooved Shoe.

D Suffix = Drilled Disc. X Suffix = Universal Left or Right Disc. XC Suffix = Contoured Disc. LS Suffix = Left/Steel Disc. RS = Right/Steel Disc.

FRONT / AVANT / VORN / FRENTE / ANTERIORE

Model	Year	FA, SFA, TT Pad or Brake Shoe	SFAC Carbon Scooter Pads	Speciality Pads - SXR / Vee / MXS	Sintered/HH Pads/ Grooved Shoes	Standard Replacement Discs	Contour Disc Universal Left and Right	Vee-Discs Black † See note below	CX Extreme Disc / UTVX Disc	OSX Oversize 250mm or 280mm	Line #
Tiger 885-E	1992-1997	Left			FA214HH	MD644*					1
		Right			FA215						2
Tiger 885i IE	1998-1999				FA196*	FA196HH*★	MD649*				3
Adventurer 900	1996-2001			FA196V	FA196HH★	MD642LS					4
Bonneville T100 900cc	2016-2018				FA142	FA142HH					5
Bonneville T100 900cc	2019-2024				FA322/4HH★						6
Bonneville T100 Black 900cc	2016-2018				FA142	FA142HH					7
Bonneville T100 Black 900cc	2019-2022				FA322/4	FA142HH					8
Daytona 900	1993-1996				FA236*	FA236HH*★	MD640*	VR640BLK*†			9
Daytona Super III 3 cyl	1994-1997			FA190V*	FA190HH*★	MD640*		VR640BLK*†			10
Legend TT	1998-2001			FA196V	FA196HH★	MD642LS					11
New Scrambler 900 Chrome Edition	2023				FA142	FA142HH	MD873				12
Scrambler 900cc	2021-2024				FA142	FA142HH	MD873				13
Speed Twin 900cc	2022-2024					FA604/4HH★	MD873X				14
Sprint All carb models	1993				FA214HH	MD646LS		VR646BLK*†			15
Sprint All carb models	1993				FA215	MD646RS		VR646BLK*†			16
Sprint All carb models	1994-1998				FA236*	FA236HH*★	MD640*	VR640BLK*†			17
Street Cup 900cc	2016-2020				FA142	FA142HH	MD886X				18
Street Scrambler 900cc	2016-2020				FA142	FA142HH	MD873				19
Street Twin 900cc	2016-2018			FA142V	FA142HH	MD873X					20
Street Twin 900cc	2019-2022					FA604/4HH★	MD873X				21
Thruxton 900	2004-2016				FA142	FA142HH	MD629X	MD629XC	VR629BLK†		22
Thruxton Ace 900	2015-2016				FA142	FA142HH	MD629X	MD629XC	VR629BLK†		23
Thunderbird 900	1995-2003			FA196V	FA196HH★	MD642LS					24
Thunderbird Sport 900	1998-2004			FA196V*	FA196HH*★	MD649*					25
Tiger 900	2020-2023					FA447HH*★	MD8014X*	MD8014XC*			26
Tiger 900 GT	2024					FA447HH*★	MD8014X*	MD8014XC*			27
Tiger 900 GT Low	2020-2023					FA447HH*★	MD8014X*	MD8014XC*			28
Tiger 900 GT Pro	2020-2024					FA447HH*★	MD8014X*	MD8014XC*			29
Tiger 900 Rally	2020-2023					FA447HH*★	MD8014X*	MD8014XC*			30
Tiger 900 Rally Pro	2020-2024					FA447HH*★	MD8014X*	MD8014XC*			31
Trident 900	1992-1998					FA214HH	MD646LS		VR646BLK*†		32
Trident 900	1992-1998				FA215	FA215HH	MD646RS		VR646BLK*†		33
Trophy 900	1992-1993					FA214HH	MD646LS		VR646BLK*†		34
Trophy 900	1992-1993				FA215	FA215HH	MD646RS		VR646BLK*†		35
Trophy 900	1994-2001				FA236	FA236HH*★	MD640*	VR640BLK*†			36
Trophy 900	1994-2001					FA236HH*★	MD640*	VR640BLK*†			37
Daytona 955i	1998-2000				FA236*	FA236HH*★	MD647X*	MD647XC*	VR647BLK*†		38
Daytona 955i	2001-2004				FA236*	FA236HH*★	MD669X*	MD669XC*	VR669BLK*†		39
Daytona 955i	2001-2004				FA236*	FA236HH*★	MD669X*	MD669XC*	VR669BLK*†		40
Daytona 955i	2005-2006				FA236*	FA236HH*★	MD669X*	MD669XC*	VR669BLK*†		41
Speed Triple 955 EFI	2002-2004				FA236*	FA236HH*★	MD669X*	MD669XC*	VR669BLK*†		42
Speed Triple EFI 955cc	1999-2002				FA236*	FA236HH*★	MD647X*	MD647XC*	VR647BLK*†		43
Sprint RS	1999-2001				FA236*	FA236HH*★	MD647X*	MD647XC*	VR647BLK*†		44
Sprint RS	2002				FA236*	FA236HH*★	MD647X*	MD647XC*	VR647BLK*†		45
Sprint RS	2003-2004				FA236*	FA236HH*★	MD647X*	MD647XC*	VR647BLK*†		46
Sprint ST 955i	1999-2004				FA236*	FA236HH*★	MD647X*	MD647XC*	VR647BLK*†		47
Tiger 955i HE	2004-2006			FA196V*	FA196HH*★	MD676*					48
Tiger 955i WE	2000-2004				FA196*	FA196HH*★	MD649*				49
Daytona 1000	1992				FA236*	FA236HH*★	MD640*		VR640BLK*†		50
Speed Triple 1050cc	2005-2006					FA347HH*★	MD679X*	MD679XC*	VR679BLK*†		51
Speed Triple 1050cc	2007-2011					FA322/4HH*★	MD817X*	MD817XC*	VR817BLK*†		52
Speed Triple 1050cc	2007-2011					FA322/4HH*★	MD817X*	MD817XC*	VR817BLK*†		53
Speed Triple 1050cc	2011-2016					FA604/4HH*★	MD817X*	MD817XC*	VR817BLK*†		54
Speed Triple 1050cc	2011-2016					FA604/4HH*★	MD817X*	MD817XC*	VR817BLK*†		55
Speed Triple R 1050cc	2012-2013					FA447HH*★	MD679X*	MD679XC*	VR679BLK*†		56
Speed Triple R 1050cc	2012-2013					FA447HH*★	MD679X*	MD679XC*	VR679BLK*†		57
Speed Triple R 1050cc	2014-2016					FA447HH*★	MD817X*	MD817XC*	VR817BLK*†		58
Speed Triple R 1050cc	2014-2016					FA447HH*★	MD817X*	MD817XC*	VR817BLK*†		59
Speed Triple R 1050cc	2017-2021					FA447HH*★	MD8014X*	MD8014XC*			60

*-2 Sets Required. † For Vee disc colours add RED, BLU, GRN, GLD, ORG suffix to part number.

⊗ - Also available as a Vintage Motorcycle Disc. ★ - EPFA available. ⚙ - Disc made of Billet steel. ♦ - CE solid discs for Enduro use.

Non-JAPANESE Built Motorcycles

Line #	BRAKE DISC CHOICES - FRONT			DISC PAD CHOICES - REAR				BRAKE DISC CHOICES - REAR					
	SMX Oversize 320mm Disc Kit Front Left	Front disc bolt kit	Front Brake Line	FA, SFA, TT Pad or Brake Shoe	SFAC Carbon Scooter Pads	Speciality Pads - SXR / Vee / MXS	Sintered HH/R Pads/ Grooved Shoes	Standard Replacement Disc	Contour Disc Rear Fitment	Vee Discs CONTOUR	CX Extreme MX Race Disc / UTVX Disc	Rear disc bolt kit	Rear Brake Line
1				FA215/2			FA215/2HH	MD645					
2													
3			BLM8224-3F	FA196			FA196HH★	MD643		VR643			
4				FA196			FA196HH★	MD643					
5				FA214/2			FA214/2HH	MD874					
6				FA214/2			FA214/2HH	MD874					
7				FA214/2			FA214/2HH	MD874					
8				FA214/2			FA214/2HH	MD874					
9			BLM8201-3F	FA215/2			FA215/2HH	MD641		VR641			
10				FA215/2			FA215/2HH	MD641		VR641			
11			BLM8205-1F	FA196			FA196HH★	MD643					
12				FA214/2			FA214/2HH	MD874					
13				FA214/2			FA214/2HH	MD874					
14				FA214/2			FA214/2HH	MD874					
15			BLM8214-3F	FA215/2			FA215/2HH	MD641		VR641			
16			BLM8214-3F	FA215/2			FA215/2HH	MD641		VR641			
17			BLM8214-3F	FA215/2			FA215/2HH	MD641		VR641			
18				FA214/2			FA214/2HH	MD874					
19				FA214/2			FA214/2HH	MD874					
20				FA214/2			FA214/2HH	MD874					
21				FA214/2			FA214/2HH	MD874					
22			BLM8197-1F	FA214/2			FA214/2HH	MD663	MD663C	VR663			
23				FA214/2			FA214/2HH	MD663	MD663C	VR663			
24			BLM8221-1F	FA196			FA196HH★	MD643					
25				FA196			FA196HH★	MD643		VR643			
26				FA213			FA213HH★	MD820	MD820C				
27				FA213			FA213HH★	MD820	MD820C				
28				FA213			FA213HH★	MD820	MD820C				
29				FA213			FA213HH★	MD820	MD820C				
30				FA213			FA213HH★	MD820	MD820C				
31				FA213			FA213HH★	MD820	MD820C				
32				FA215/2			FA215/2HH	MD641		VR641			
33				FA215/2			FA215/2HH	MD641		VR641			
34				FA215/2			FA215/2HH	MD641		VR641			
35				FA215/2			FA215/2HH	MD641		VR641			
36				FA215/2			FA215/2HH	MD641		VR641			
37				FA215/2			FA215/2HH	MD641		VR641			
38				FA214/2			FA214/2HH	MD648	MD648C	VR648		DB605/4	
39				FA214/2			FA214/2HH	MD648	MD648C	VR648		DB605/4	
40			BLM8202-2F	FA140			FA140HH	MD648	MD648C	VR648		DB605/4	
41				FA214/2			FA214/2HH	MD648	MD648C	VR648		DB605/4	
42				FA214/2			FA214/2HH	MD648	MD648C	VR648			
43				FA214/2			FA214/2HH	MD648	MD648C	VR648			
44			BLM8215-2F	FA215/2			FA215/2HH	MD663	MD663C	VR663			
45			BLM8215-2F	FA215/2			FA215/2HH	MD663	MD663C	VR663			
46			BLM8215-2F	FA214/2			FA214/2HH	MD663	MD663C	VR663		DB605/4	
47				FA214/2			FA214/2HH	MD663	MD663C	VR663		DB605/4	
48				FA215/2			FA215/2HH	MD677					
49			BLM8227-2F	FA196			FA196HH★	MD643		VR643			
50				FA215/2			FA215/2HH	MD641		VR641			
51				FA214/2			FA214/2HH	MD648	MD648C	VR648			
52				FA214/2			FA214/2HH	MD648	MD648C	VR648			
53				FA214/2			FA214/2HH	MD648	MD648C	VR648			
54				FA214/2			FA214/2HH	MD663	MD663C	VR663			
55				FA214/2			FA214/2HH	MD820	MD820C	VR820			
56				FA214/2			FA214/2HH	MD663	MD663C	VR663			
57				FA214/2			FA214/2HH	MD820	MD820C	VR820			
58				FA214/2			FA214/2HH	MD663	MD663C	VR663			
59				FA214/2			FA214/2HH	MD820	MD820C	VR820			
60				FA214/2			FA214/2HH	MD874					

REAR / ARRIÈRE / HINTEN / POSTERIOR / POSTERIORE

R Suffix = High Durability Sintered Pad. HH Suffix = High Performance Sintered Pad. TT Suffix = Hard Wearing Off Road Pad. V Suffix = Semi Sintered Pad. G Suffix = Grooved Shoe.
D Suffix = Drilled Disc. X Suffix = Universal Left or Right Disc. XC Suffix = Contoured Disc. LS Suffix = Left/Steel Disc. RS = Right/Steel Disc.

*-2 Sets Required. † For Vee disc colours add RED, BLU, GRN, GLD, ORG suffix to part number.

⊗ - Also available as a Vintage Motorcycle Disc. ★ - EPFA available. ⚙ Disc made of Billet steel. ♦ CE solid discs for Enduro use.

Part numbers, prefixes, suffixes, photos and illustrations shown in this catalogue are trademarks and/or copyrights of EBC Brakes or the trademark owner A C Freeman Investments Ltd and use without express written permission of the owners is punishable by law.

BRAKE APPLICATIONS

Non-JAPANESE Built Motorcycles



TRIUMPH

HINCKLEY PRODUCED MACHINES Contd.



		DISC PAD CHOICES - FRONT				BRAKE DISC CHOICES - FRONT					Line #
FA, SFA, TT Pad or Brake Shoe	SFAC Carbon Scooter Pads	Speciality Pads - SXR / Vee / MXS	Sintered/HH Pads/ Grooved Shoes	Standard Replacement Discs	Contour Disc Universal Left and Right	Vee-Discs Black † See note below	CX Extreme Disc / UTVX Disc	OSX Oversize 250mm or 280mm			
Speed Triple RS 1050cc	2018-2021			FA447HH*★	MD8014X*	MD8014XC*			1		
Speed Triple S 1050cc From Vin 867685	2019-2021			FA447HH*★	MD8014X*	MD8014XC*			2		
Speed Triple S 1050cc Vin 735438-867684	2017-2018			FA447HH*★	MD817X*			VR817BLK*†	3		
Sprint GT 1050/SE	2010-2020	FA236*		FA236HH*★	MD817X*	MD817XC*		VR817BLK*†	4		
Sprint ST 1050	2005-2010	FA236*		FA236HH*★	MD669X*	MD669XC*		VR669BLK*†	5		
Sprint ST 1050	2005-2010	FA236*		FA236HH*★	MD669X*	MD669XC*		VR669BLK*†	6		
Sprint ST 1050i	2011-2012	FA236*		FA236HH*★	MD817X*	MD817XC*		VR817BLK*†	7		
Sprint ST 1050i	2011-2012	FA236*		FA236HH*★	MD817X*	MD817XC*		VR817BLK*†	8		
Tiger 1050 E	2007-2011			FA347HH*★	MD679X*	MD679XC*		VR679BLK*†	9		
Tiger 1050 SE	2010-2013			FA347HH*★	MD679X*	MD679XC*		VR679BLK*†	10		
Tiger 1050 Sport	2013-2021			FA347HH*★	MD679X*	MD679XC*		VR679BLK*†	11		
Tiger 1050 Sport	2016-2018			FA347HH*★	MD679X*	MD679XC*		VR679BLK*†	12		
Bonneville Bobber 1200cc	2017-2020	FA196	FA196V	FA196HH★	MD873				13		
Bonneville Bobber 1200cc	2021-2024	FA181*	FA181V*	FA181HH*	MD873*				14		
Bonneville Bobber Black 1200cc	2018-2021	FA181*	FA181V*	FA181HH*	MD873*				15		
Bonneville Bobber Chrome Edition 1200cc	2023	FA181*	FA181V*	FA181HH*	MD873*				16		
Bonneville Speedmaster 1200cc	2018-2024	FA181*	FA181V*	FA181HH*	MD873*				17		
Bonneville T120 1200cc	2016-2024	FA196	FA196V	FA196HH★	MD873				18		
Bonneville T120 Black DGR Limited Edition	2023	FA181*	FA181V*	FA181HH*	MD873*				19		
Bonneville T120 Black Gold Line 1200cc	2023	FA181*	FA181V*	FA181HH*	MD873*				20		
Bonneville T120 Black 1200cc	2016-2023	FA196	FA196V	FA196HH★	MD873				21		
Bonneville T120 Chrome Edition 1200cc	2023	FA181*	FA181V*	FA181HH*	MD873*				22		
Bonneville T120 Gold Line 1200cc	2023	FA181*	FA181V*	FA181HH*	MD873*				23		
Daytona 1200	1993-1998	FA236*		FA236HH*★	MD640*			VR640BLK*†	24		
Scrambler X 1200 Twin	2024	FA226*		FA226HH*★					25		
Scrambler XC 1200 Twin	2019-2023			FA447HH*★	MD8014X*	MD8014XC*			26		
Scrambler XC 1200 Twin Gold Line	2023			FA447HH*★	MD8014X*	MD8014XC*			27		
Scrambler XE 1200 Twin	2019-2024			FA447HH*★		M8008XC*			28		
Scrambler XE 1200 Twin Chrome Edition	2023			FA447HH*★	MD8014X*	MD8014XC*			29		
Scrambler XE 1200 Twin Gold Line	2023			FA447HH*★	MD8014X*	MD8014XC*			30		
Speed Triple RR 1200cc	2021-2024			FA447HH*★	MD8014X*				31		
Speed Triple RS 1200cc	2021-2024			FA447HH*★	MD8014X*				32		
Speed Twin 1200cc	2021-2024			FA447HH*★	MD8014X*	MD8014XC*			33		
Speed Twin 1200cc LC	2019-2020			FA447HH*★	MD8014X*	MD8014XC*			34		
Thruxton 1200	2016-2020	FA142*		FA604/4HH*★	MD842X*				35		
Thruxton 1200RS	2021-2024			FA142HH*	MD873*				36		
Thruxton R 1200	2016-2022			FA447HH*★	MD883X*	MD883XC*			37		
Thruxton TFC 1200	2019-2020			FA447HH*★	MD883X*	MD883XC*			38		
Tiger 1200 Explorer XC	2019-2021		FA630V*	FA630HH*★	MD842X*	MD842XC*		VR842BLK*†	39		
Tiger 1200 Explorer Xca	2019-2021			FA630HH*★	MD842X*	MD842XC*		VR842BLK*†	40		
Tiger 1200 Explorer XCx	2019-2021			FA447HH*★	MD842X*	MD842XC*		VR842BLK*†	41		
Tiger 1200 Explorer XRt	2019-2021		FA630V*	FA630HH*★	MD842X*	MD842XC*		VR842BLK*†	42		
Tiger 1200 Explorer XRx	2019-2021		FA630V*	FA630HH*★	MD842X*	MD842XC*		VR842BLK*†	43		
Tiger 1200 GT	2021-2024			FA447HH*★	MD8014X*				44		
Tiger 1200 GT Explorer	2021-2024			FA447HH*★	MD8014X*				45		
Tiger 1200 GT Pro	2021-2024			FA447HH*★	MD8014X*				46		
Tiger 1200 Rally Pro	2021-2024			FA447HH*★	MD8014X*				47		
Tiger 1200 Rally Pro Explorer	2021-2024			FA447HH*★	MD8014X*				48		
Tiger 1200 XC	2016-2018	FA236*		FA236HH*★	MD842X*	MD842XC*		VR842BLK*†	49		
Tiger 1200 XCA	2016-2018			FA447HH*★	MD842X*	MD842XC*		VR842BLK*†	50		
Tiger 1200 XCX	2016-2018			FA447HH*★	MD842X*	MD842XC*		VR842BLK*†	51		
Tiger 1200 XR	2016-2018			FA447HH*★	MD842X*	MD842XC*		VR842BLK*†	52		
Tiger 1200 XRT	2016-2018			FA447HH*★	MD842X*	MD842XC*		VR842BLK*†	53		
Tiger 1200 XRX	2016-2018			FA447HH*★	MD842X*	MD842XC*		VR842BLK*†	54		
Tiger Explorer 1200	2012-2015	FA236*		FA236HH*★	MD842X*	MD842XC*		VR842BLK*†	55		
Tiger Explorer XC 1200	2013-2015	FA236*		FA236HH*★	MD842X*	MD842XC*		VR842BLK*†	56		
Trophy 1200 From Vin 4902	1994-2001	FA236*		FA236HH*★	MD640*			VR640BLK*†	57		
Trophy 1200 Up to Vin 4901	1992-1993			FA214HH	MD646LS			VR646BLK*†	58		
Trophy 1200 Up to Vin 4901	1992-1993	FA215		FA215HH	MD646RS			VR646BLK*†	59		
Trophy 1215	2012-2016			FA423/4HH*	MD817X*	MD817XC*		VR817BLK*†	60		

FRONT / AVANT / VORN / FRENTE / ANTERIORE

R Suffix = High Durability Sintered Pad. HH Suffix = High Performance Sintered Pad. TT Suffix = Hard Wearing Off Road Pad. V Suffix = Semi Sintered Pad. G Suffix = Grooved Shoe.
 D Suffix = Drilled Disc. X Suffix = Universal Left or Right Disc. XC Suffix = Contoured Disc. LS Suffix = Left/Steel Disc. RS = Right/Steel Disc.

*-2 Sets Required. † For Vee disc colours add RED, BLU, GRN, GLD, ORG suffix to part number.

⊗ - Also available as a Vintage Motorcycle Disc. ★ - EPFA available. ⊕ Disc made of Billet steel. ◆ CE solid discs for Enduro use.

Non-JAPANESE Built Motorcycles

Line #	BRAKE DISC CHOICES - FRONT			DISC PAD CHOICES - REAR				BRAKE DISC CHOICES - REAR					
	SMX Oversize 320mm Disc Kit Front Left	Front disc bolt kit	Front Brake Line	FA, SFA, TT Pad or Brake Shoe	SFAC Carbon Scooter Pads	Speciality Pads - SXR / Vee / MXS	Sintered HH/R Pads/ Grooved Shoes	Standard Replacement Disc	Contour Disc Rear Fitment	Vee Discs CONTOUR	CX Extreme MX Race Disc / UTVX Disc	Rear disc bolt kit	Rear Brake Line
1				FA214/2			FA214/2HH	MD874					
2				FA214/2			FA214/2HH	MD874					
3				FA214/2			FA214/2HH	MD874					
4				FA214/2			FA214/2HH	MD820	MD820C				
5				FA214/2			FA214/2HH	MD663	MD663C	VR663			
6			BLM8216-2F	FA214/2			FA214/2HH	MD820	MD820C				
7			BLM8216-2F	FA214/2			FA214/2HH	MD663	MD663C	VR663			
8				FA214/2			FA214/2HH	MD820	MD820C				
9				FA215/2			FA215/2HH	MD663	MD663C	VR663			
10				FA215/2			FA215/2HH	MD663	MD663C	VR663			
11				FA214/2			FA214/2HH	MD820	MD820C				
12				FA214/2			FA214/2HH	MD820	MD820C				
13				FA140			FA140HH	MD874					
14				FA140			FA140HH	MD874					
15				FA140			FA140HH	MD874					
16				FA140			FA140HH	MD874					
17				FA140			FA140HH	MD874					
18				FA214			FA214HH	MD874					
19				FA214/2			FA214/2HH	MD874					
20				FA214/2			FA214/2HH	MD874					
21				FA214			FA214HH	MD874					
22				FA214/2			FA214/2HH	MD874					
23				FA214/2			FA214/2HH	MD874					
24				FA215/2			FA215/2HH	MD641		VR641			
25				FA209/2			FA209/2HH★	MD874					
26				FA209/2			FA209/2HH★	MD874					
27				FA209/2			FA209/2HH★	MD874					
28				FA209/2			FA209/2HH★	MD874					
29				FA209/2			FA209/2HH★	MD874					
30				FA209/2			FA209/2HH★	MD874					
31							FA266HH★	TBC					
32							FA266HH★	TBC					
33				FA214/2			FA214/2HH	MD851					
34				FA214/2			FA214/2HH	MD851					
35				FA214/2			FA214/2HH	MD851					
36				FA214/2			FA214/2HH	MD851	MD851C				
37				FA214/2			FA214/2HH	MD851	MD851C				
38				FA214/2			FA214/2HH	MD851	MD851C				
39				FA228			FA228HH	MD863					
40				FA228			FA228HH	MD863					
41				FA228			FA228HH	MD863					
42				FA228			FA228HH	MD863					
43				FA228			FA228HH	MD863					
44				FA213			FA213HH★	MD863					
45				FA213			FA213HH★	MD863					
46				FA213			FA213HH★	MD863					
47				FA213			FA213HH★	MD863					
48				FA213			FA213HH★	MD863					
49				FA228			FA228HH	MD863					
50				FA228			FA228HH	MD863					
51				FA228			FA228HH	MD863					
52				FA228			FA228HH	MD863					
53				FA228			FA228HH	MD863					
54				FA228			FA228HH	MD863					
55				FA214/2			FA214/2HH	MD863					
56				FA214/2			FA214/2HH	MD863					
57				FA215/2			FA215/2HH	MD641		VR641			
58				FA215/2			FA215/2HH	MD641		VR641			
59				FA215/2			FA215/2HH	MD641		VR641			
60				FA228			FA228HH	MD863					

REAR / ARRIÈRE / HINTEN / POSTERIOR / POSTERIORE

R Suffix = High Durability Sintered Pad. **HH** Suffix = High Performance Sintered Pad. **TT** Suffix = Hard Wearing Off Road Pad. **V** Suffix = Semi Sintered Pad. **G** Suffix = Grooved Shoe.
D Suffix = Drilled Disc. **X** Suffix = Universal Left or Right Disc. **XC** Suffix = Contoured Disc. **LS** Suffix = Left/Steel Disc. **RS** = Right/Steel Disc.

BRAKE APPLICATIONS

*-2 Sets Required. † For Vee disc colours add RED, BLU, GRN, GLD, ORG suffix to part number.

⊙ - Also available as a Vintage Motorcycle Disc. ★ - EPFA available. ⚙ Disc made of Billet steel. ♦ CE solid discs for Enduro use.

Part numbers, prefixes, suffixes, photos and illustrations shown in this catalogue are trademarks and/or copyrights of EBC Brakes or the trademark owner A C Freeman Investments Ltd and use without express written permission of the owners is punishable by law.

Non-JAPANESE Built Motorcycles



TRIUMPH

HINCKLEY PRODUCED MACHINES Contd.



Trophy 1215 SE	2012-2017
Thunderbird 1597cc	2009-2018
Thunderbird Commander 1699cc	2014-2018
Thunderbird LT 1699cc	2014-2018
Thunderbird Nightstorm 1699cc	2015-2018
Thunderbird Storm 1699cc	2011-2018
Rocket III 2300cc	2004-2009
Rocket 3 GT	2019-2024
Rocket 3 R	2019-2024
Rocket III Classic	2007-2009
Rocket III Roadster	2010-2018
Rocket III Touring	2008-2017
Rocket X Touring	2015-2016

TRIUMPH MERIDEN PRODUCED MACHINES

T120	1966-1970
T140 Bonneville L.F. Harris Production Bike	1985-1988
T140 D Bonneville	1979-1981
T140 E Bonneville	1978-1983
T140 E/ES	1981-1983
T140 ES	1980-1981
T140 Silver Jubilee Bonneville	1977
T140 V Bonneville	1973-1974
T140 V Bonneville	1975-1978
TSS 750	1983
TSX 750	1983

URAL

Cross Sidecar	2011-2012
Ranger Sidecar E	2011-2019
Retro Sidecar	2011-2012
Retro Solo	2011-2012
Solo ST	2011-2012
Sportsman Sidecar	2011-2012
Tourist Sidecar	2011-2012
Ural T Sidecar	2011-2012
Wolf Solo	2011-2012

VECTRIX

VT-1	2014
VX-1 Li/NiMh	2007-2014
VX-2	2012-2014
VX-3 3 Wheel Model	2012-2013

VERTEMATI

All models	1999-2004
All models	1999-2004

VESPA

50 N	1989-1990
50 R	1970-1983
50 S	1968
50 S	1975-1983
50 Special Edition	1991
FL 50	1990
FL2 Automatica	1990-1991
LX 50	2005-2013
LX 50	2005-2013
LXV 50	2007-2009
PK 50	1982-1985

DISC PAD CHOICES - FRONT				BRAKE DISC CHOICES - FRONT					Line #
FA, SFA, TT Pad or Brake Shoe	SFAC Carbon Scooter Pads	Speciality Pads - SXR / Vee / MXS	Sintered/HH Pads/ Grooved Shoes	Standard Replacement Discs	Contour Disc Universal Left and Right	Vee-Discs Black † See note below	CX Extreme Disc / UTVX Disc	OSX Oversize 250mm or 280mm	
			FA423/4HH*	MD817X*	MD817XC*	VR817BLK*†			1
FA236*			FA236HH*★	MD825*					2
FA236*			FA236HH*★	MD825*					3
FA236*			FA236HH*★	MD825*					4
FA236*			FA236HH*★	MD825*					5
FA236*			FA236HH*★	MD825*					6
			FA236HH*★	MD669X*	MD669XC*	VR669BLK*†			7
			FA447HH*★	MD8014X*	MD8014XC*				8
			FA447HH*★	MD8014X*	MD8014XC*				9
			FA236HH*★	MD669X*	MD669XC*	VR669BLK*†			10
			FA236HH*★	MD669X*	MD669XC*	VR669BLK*†			11
			FA236HH*★	MD8015X*					12
			FA236HH*★	MD669X*	MD669XC*	VR669BLK*†			13
									14
									15
854									16
FA018*		FA018V*	FA018HH*						17
FA016			FA016HH★	MD838*					18
FA016			FA016HH★	MD656⊗					19
FA016			FA016HH★						20
FA016			FA016HH★	MD656⊗					21
FA016			FA016HH★	MD656⊗					22
FA016			FA016HH★	MD656⊗					23
FA016			FA016HH★	MD656⊗					24
FA016*			FA016HH*★	MD656*⊗					25
FA016			FA016HH★	MD656⊗					26
									27
									28
FA244			FA244HH★						29
FA244			FA244HH★						30
FA244			FA244HH★						31
FA244			FA244HH★						32
FA244			FA244HH★						33
FA244			FA244HH★						34
FA244			FA244HH★						35
FA244			FA244HH★						36
FA244			FA244HH★						37
									38
									39
SFA228	SFAC228		SFA228HH						40
SFA181	SFAC181		SFA181HH	MD995D		VR995			41
SFA086	SFAC086		SFA086HH						42
SFA266*	SFAC266*		SFA266HH*						43
									44
									45
FA181TT		MXS181	FA181R						46
FA158			FA158HH★						47
									48
									49
V903									50
V905									51
V905									52
V905									53
V905									54
V903									55
V903									56
SFA260	SFAC260		SFA260HH	MD910D		VR910			57
SFA260	SFAC260		SFA260HH	MD910D		VR910			58
SFA260	SFAC260		SFA260HH	MD956D		VR956			59
V905									60

FRONT / AVANT / VORN / FRENTE / ANTERIORE

R Suffix = High Durability Sintered Pad. HH Suffix = High Performance Sintered Pad. TT Suffix = Hard Wearing Off Road Pad. V Suffix = Semi Sintered Pad. G Suffix = Grooved Shoe.
D Suffix = Drilled Disc. X Suffix = Universal Left or Right Disc. XC Suffix = Contoured Disc. LS Suffix = Left/Steel Disc. RS = Right/Steel Disc.

*-2 Sets Required. † For Vee disc colours add RED, BLU, GRN, GLD, ORG suffix to part number.

⊗ - Also available as a Vintage Motorcycle Disc. ★ - EPFA available. ⊕ Disc made of Billet steel. ◆ CE solid discs for Enduro use.

Non-JAPANESE Built Motorcycles

BRAKE APPLICATIONS

Line #	BRAKE DISC CHOICES - FRONT			DISC PAD CHOICES - REAR				BRAKE DISC CHOICES - REAR					
	SMX Oversize 320mm Disc Kit Front Left	Front disc bolt kit	Front Brake Line	FA, SFA, TT Pad or Brake Shoe	SFAC Carbon Scooter Pads	Speciality Pads - SXR / Vee / MXS	Sintered HH/R Pads/ Grooved Shoes	Standard Replacement Disc	Contour Disc Rear Fitment	Vee Discs CONTOUR	CX Extreme MX Race Disc / UTVX Disc	Rear disc bolt kit	Rear Brake Line
1				FA228			FA228HH	MD863					
2				FA209/2			FA209/2HH★	MD831					
3				FA209/2			FA209/2HH★	MD831					
4				FA209/2			FA209/2HH★	MD831					
5				FA209/2			FA209/2HH★	MD831					
6				FA209/2			FA209/2HH★	MD831					
7							FA209/2HH★	MD699⊕					
8							FA630HH★						
9							FA630HH★						
10							FA209/2HH★	MD699⊕					
11							FA209/2HH★	MD699⊕					
12							FA209/2HH★	MD699⊕					
13							FA209/2HH★	MD699⊕					
14													
15													
16				853									
17				FA018		FA018V	FA018HH						
18				FA016			FA016HH★	MD838					
19				FA016			FA016HH★	MD656⊕					
20				FA016			FA016HH★						
21				FA016			FA016HH★	MD656⊕					
22				FA016			FA016HH★	MD656⊕					
23													
24				FA016			FA016HH★	MD656⊕					
25				FA016			FA016HH★	MD656⊕					
26				FA016			FA016HH★	MD656⊕					
27													
28													
29													
30				FA473									
31													
32													
33													
34													
35													
36													
37													
38													
39													
40				SFA067	SFAC067		SFA067HH						
41				SFA181	SFAC181		SFA181HH	MD9139D		VR9139			
42				SFA083	SFAC083		SFA083HH						
43				SFA181	SFAC181		SFA181HH						
44													
45													
46				FA208TT		MXS208	FA208R						
47				FA208TT		MXS208	FA208R						
48													
49													
50				V903									
51				V906									
52				V906									
53				V904									
54				V906									
55				V903									
56				V942									
57				899									
58				899									
59				899									
60				V903									

REAR / ARRIÈRE / HINTEN / POSTERIOR / POSTERIORE

R Suffix = High Durability Sintered Pad. **HH** Suffix = High Performance Sintered Pad. **TT** Suffix = Hard Wearing Off Road Pad. **V** Suffix = Semi Sintered Pad. **G** Suffix = Grooved Shoe.
D Suffix = Drilled Disc. **X** Suffix = Universal Left or Right Disc. **XC** Suffix = Contoured Disc. **LS** Suffix = Left/Steel Disc. **RS** = Right/Steel Disc.

*-2 Sets Required. † For Vee disc colours add RED, BLU, GRN, GLD, ORG suffix to part number.
 ⊕ - Also available as a Vintage Motorcycle Disc. ★ - EPFA available. ⊕ Disc made of Billet steel. ◆ CE solid discs for Enduro use.

Non-JAPANESE Built Motorcycles



VESPA Contd.



DISC PAD CHOICES - FRONT

BRAKE DISC CHOICES - FRONT

R Suffix = High Durability Sintered Pad. **HH** Suffix = High Performance Sintered Pad. **TT** Suffix = Hard Wearing Off Road Pad. **V** Suffix = Semi Sintered Pad. **G** Suffix = Grooved Shoe.

D Suffix = Drilled Disc. **X** Suffix = Universal Left or Right Disc. **XC** Suffix = Contoured Disc. **LS** Suffix = Left/Steel Disc. **RS** = Right/Steel Disc.

FRONT / AVANT / VORN / FRENTE / ANTERIORE

		FA, SFA, TT Pad or Brake Shoe	SFAC Carbon Scooter Pads	Speciality Pads - SXR / Vee / MXS	Sintered/HH Pads/ Grooved Shoes	Standard Replacement Discs	Contour Disc Universal Left and Right	Vee-Discs Black † See note below	CX Extreme Disc / UTVX Disc	OSX Oversize 250mm or 280mm	Line #
PK 50 S	1982-1985	V905									1
PK 50 S Automatica	1984-1989	V905									2
PK 50 SS	1983-1985	V905									3
PK 50 XL	1985-1988	V905									4
PK 50 XL	1988-1989	V903									5
Primavera 50	2013-2021	SFA353	SFAC353		SFA353HH	MD910D		VR910			6
Primavera 50	2013-2015	SFA353	SFAC353		SFA353HH	MD910D		VR910			7
Primavera 50 Touring	2015	SFA353	SFAC353		SFA353HH	MD910D		VR910			8
Primavera 50 Touring	2015	SFA353	SFAC353		SFA353HH	MD910D		VR910			9
S50	2007-2013	SFA260	SFAC260		SFA260HH	MD910D		VR910			10
S50	2008-2013	SFA260	SFAC260		SFA260HH	MD910D		VR910			11
S50 Sport	2011-2013	SFA260	SFAC260		SFA260HH	MD910D		VR910			12
S50 Sport	2011-2013	SFA260	SFAC260		SFA260HH	MD910D		VR910			13
Sprint 50	2014-2015	SFA353	SFAC353		SFA353HH	MD910D		VR910			14
Sprint 50	2014-2020	SFA353	SFAC353		SFA353HH	MD910D		VR910			15
Sprint 50 S	2015	SFA353	SFAC353		SFA353HH	MD910D		VR910			16
GT 60 Special Anniversary Model - GTV 250	2006	SFA353	SFAC353		SFA353HH	MD956D		VR956			17
LX 60 Special Anniversary Model	2006	SFA186	SFAC186			MD910D		VR910			18
PK 100 XL	1978-1983	V905									19
125 ET3	1976-1983	V905									20
125 Primavera	1967-1983	V905									21
946 Special 125	2013-2015	SFA353	SFAC353		SFA353HH						22
ET4 125	1996-1999	SFA260	SFAC260		SFA260HH	MD910D		VR910			23
FL 125	1989-2000	V903									24
GT 125 Granturismo	2003-2006	SFA194	SFAC194		SFA194HH	MD956D		VR956			25
GT 125 Granturismo	2003-2006	SFA353	SFAC353		SFA353HH	MD956D		VR956			26
GTS 125	2007-2011	SFA353	SFAC353		SFA353HH	MD956D		VR956			27
GTS 125	2018-2020	SFA353			SFA353HH						28
GTS 125 Super ie	2010-2021	SFA353	SFAC353		SFA353HH	MD956D		VR956			29
GTS 125 Super Sport/Touring	2018-2021	SFA353			SFA353HH						30
GTS 125 Supersport ie	2013-2021	SFA353	SFAC353		SFA353HH	MD956D		VR956			31
GTV 125	2007-2009	SFA353	SFAC353		SFA353HH	MD956D		VR956			32
LX 125	2005-2013	SFA260	SFAC260		SFA260HH	MD910D		VR910			33
LX 125 Serie Speciali	2012	SFA260	SFAC260		SFA260HH	MD910D		VR910			34
LXV 125	2007-2012	SFA260	SFAC260		SFA260HH	MD956D		VR956			35
PK 125	1982-1985	V903									36
PK 125 S	1982-1985	V903									37
PK 125 S Automatica	1984-1989	V903									38
Primavera 125	2013-2020	SFA353	SFAC353		SFA353HH						39
Primavera 125	2013-2021	SFA353	SFAC353		SFA353HH	MD910D		VR910			40
Primavera 125 Touring	2015	SFA353	SFAC353		SFA353HH	MD910D		VR910			41
Primavera 125 Touring	2015-2021	SFA353	SFAC353		SFA353HH	MD910D		VR910			42
PX 125	1998-2011	SFA186	SFAC186			MD910D		VR910			43
PX 125	2011-2016	SFA260	SFAC260		SFA260HH	MD910D		VR910			44
PX 125 E/EFL	1981-1997	V903									45
PX 125 T5	1985-2000	V903									46
PX 125 Touring	2015	SFA186	SFAC186			MD910D		VR910			47
S 125	2007-2013	SFA260	SFAC260		SFA260HH	MD910D		VR910			48
S 125 Sport	2011-2013	SFA260	SFAC260		SFA260HH	MD910D		VR910			49
Sprint 125	2015-2020	SFA353	SFAC353		SFA353HH						50
Sprint 125 S	2015-2021	SFA353	SFAC353		SFA353HH	MD910D		VR910			51
Sprint 125 S	2015-2020	SFA353	SFAC353		SFA353HH	MD910D		VR910			52
ET4 125/150	1999-2005	SFA260	SFAC260		SFA260HH	MD910D		VR910			53
LX 150	2005-2013	SFA260	SFAC260		SFA260HH	MD910D		VR910			54
LX 150 Serie Speciali	2012	SFA260	SFAC260		SFA260HH	MD910D		VR910			55
Primavera 150	2013-2020	SFA353	SFAC353		SFA353HH						56
Primavera 150	2013-2015	SFA353	SFAC353		SFA353HH	MD910D		VR910			57
Primavera 150 Touring	2015	SFA353	SFAC353		SFA353HH	MD910D		VR910			58
Primavera 150 Touring	2015	SFA353	SFAC353		SFA353HH	MD910D		VR910			59
PX 150	1998-2015	SFA186	SFAC186			MD910D		VR910			60

*-2 Sets Required. † For Vee disc colours add RED, BLU, GRN, GLD, ORG suffix to part number.

⊗ - Also available as a Vintage Motorcycle Disc. ★ - EPFA available. ⚙ - Disc made of Billet steel. ♦ - CE solid discs for Enduro use.

Non-JAPANESE Built Motorcycles

Line #	BRAKE DISC CHOICES - FRONT			DISC PAD CHOICES - REAR				BRAKE DISC CHOICES - REAR					
	SMX Oversize 320mm Disc Kit Front Left	Front disc bolt kit	Front Brake Line	FA, SFA, TT Pad or Brake Shoe	SFAC Carbon Scooter Pads	Speciality Pads - SXR / Vee / MXS	Sintered HH/R Pads/ Grooved Shoes	Standard Replacement Disc	Contour Disc Rear Fitment	Vee Discs CONTOUR	CX Extreme MX Race Disc / UTVX Disc	Rear disc bolt kit	Rear Brake Line
1				V903									
2				V942									
3				V903									
4				V903									
5				V903									
6				816									
7				816									
8				816									
9				816									
10				899									
11				899									
12				899									
13				899									
14				816									
15				816									
16				816									
17				SFA321	SFAC321		SFA321HH	MD956D		VR956			
18				V903									
19				V906									
20				V904									
21				V904									
22				SFA321	SFAC321		SFA321HH						
23				899									
24				V903									
25				SFA321	SFAC321		SFA321HH	MD956D		VR956			
26				SFA321	SFAC321		SFA321HH	MD956D		VR956			
27				SFA321	SFAC321		SFA321HH	MD956D		VR956			
28				SFA321	SFAC321		SFA321HH						
29				SFA321	SFAC321		SFA321HH	MD956D		VR956			
30				SFA321	SFAC321		SFA321HH						
31				SFA321	SFAC321		SFA321HH	MD956D		VR956			
32				SFA321	SFAC321		SFA321HH	MD956D		VR956			
33				899									
34				899									
35				899									
36				V903									
37				V903									
38				V942									
39				816									
40				816									
41				816									
42				816									
43				V903									
44				V903									
45				V903									
46				V903									
47				V903									
48				899									
49				899									
50				816									
51				816									
52				816									
53				899									
54				899									
55				899									
56				816									
57				816									
58				816									
59				816									
60				V903									

REAR / ARRIÈRE / HINTEN / POSTERIOR / POSTERIORE

R Suffix = High Durability Sintered Pad. **HH** Suffix = High Performance Sintered Pad. **TT** Suffix = Hard Wearing Off Road Pad. **V** Suffix = Semi Sintered Pad. **G** Suffix = Grooved Shoe.
D Suffix = Drilled Disc. **X** Suffix = Universal Left or Right Disc. **XC** Suffix = Contoured Disc. **LS** Suffix = Left/Steel Disc. **RS** = Right/Steel Disc.

BRAKE APPLICATIONS

*-2 Sets Required. † For Vee disc colours add RED, BLU, GRN, GLD, ORG suffix to part number.

⊙ - Also available as a Vintage Motorcycle Disc. ★ - EPFA available. ⊕ Disc made of Billet steel. ◆ CE solid discs for Enduro use.

Part numbers, prefixes, suffixes, photos and illustrations shown in this catalogue are trademarks and/or copyrights of EBC Brakes or the trademark owner A C Freeman Investments Ltd and use without express written permission of the owners is punishable by law.

Non-JAPANESE Built Motorcycles



VESPA Contd.



DISC PAD CHOICES - FRONT

BRAKE DISC CHOICES - FRONT

R Suffix = High Durability Sintered Pad. **HH** Suffix = High Performance Sintered Pad. **TT** Suffix = Hard Wearing Off Road Pad. **V** Suffix = Semi Sintered Pad. **G** Suffix = Grooved Shoe.
D Suffix = Drilled Disc. **X** Suffix = Universal Left or Right Disc. **XC** Suffix = Contoured Disc. **LS** Suffix = Left/Steel Disc. **RS** = Right/Steel Disc.

Model	Year	DISC PAD CHOICES - FRONT			BRAKE DISC CHOICES - FRONT					Line #
		FA, SFA, TT Pad or Brake Shoe	SFAC Carbon Scooter Pads	Speciality Pads - SXR / Vee / MXS	Sintered/HH Pads/ Grooved Shoes	Standard Replacement Discs	Contour Disc Universal Left and Right	Vee-Discs Black † See note below	CX Extreme Disc / UTVX Disc	
PX 150 E/EFL	1981-1997	V903								1
PX 150 Touring	2015	SFA186	SFAC186			MD910D		VR910		2
S 150	2007-2012	SFA260	SFAC260		SFA260HH	MD910D		VR910		3
S 150 Sport	2011-2012	SFA260	SFAC260		SFA260HH	MD910D		VR910		4
S 150 Sprint	2015-2020	SFA353	SFAC353		SFA353HH	MD910D		VR910		5
GT 200 Granturismo	2003-2006	SFA194	SFAC194		SFA194HH	MD956D		VR956		6
GT 200 Granturismo	2003-2006	SFA353	SFAC353		SFA353HH	MD956D		VR956		7
PX 200	1998-2007	SFA186	SFAC186			MD910D		VR910		8
PX 200 E/EFL	1981-1997	V903								9
ET2 50cc	1997-2005	SFA260	SFAC260		SFA260HH	MD910D		VR910		10
GTS 250 ie	2005-2011	SFA353	SFAC353		SFA353HH	MD956D		VR956		11
GTS 250 ie	2007-2009	SFA353	SFAC353		SFA353HH	MD956D		VR956		12
GTS 300 HPE IE	2020-2021	SFA418	SFAC418		SFA418HH	MD956D		VR956		13
GTS 300 ie	2008-2015	SFA353	SFAC353		SFA353HH	MD956D		VR956		14
GTS 300 ie	2008-2020	SFA353	SFAC353		SFA353HH	MD956D		VR956		15
GTS 300 ie Super	2008-2015	SFA353	SFAC353		SFA353HH	MD956D		VR956		16
GTS 300 ie Super Sport	2008-2015	SFA353	SFAC353		SFA353HH	MD956D		VR956		17
GTS 300 ie Super Sport	2008-2018	SFA418	SFAC418		SFA418HH	MD956D		VR956		18
GTS 300 ie Touring	2011-2016	SFA353	SFAC353		SFA353HH	MD956D		VR956		19
GTS 300 ie Touring	2011-2021	SFA353	SFAC353		SFA353HH	MD956D		VR956		20
GTS 300 Super ie	2008-2021	SFA353	SFAC353		SFA353HH	MD956D		VR956		21
GTV 300	2010-2013	SFA353	SFAC353		SFA353HH	MD956D		VR956		22
GTV 300 Sei Giorni IE E4	2020-2021	SFA418	SFAC418		SFA418HH	MD956D		VR956		23
ET4 50cc	2000-2004	SFA260	SFAC260		SFA260HH	MD910D		VR910		24
ET4 50cc	2000-2004	SFA260	SFAC260		SFA260HH	MD910D		VR910		25
Elettrica	2019-2020	SFA260	SFAC260							26
Elettrica Motociclo	2019-2020	SFA260	SFAC260							27
FRONT / AVANT / VORN / FRENTE / ANTERIORE										
VIALLI										
Cargo 50	2006	SFA169	SFAC169		SFA169HH					30
DXB 50	2006	SFA228	SFAC228		SFA228HH					31
Fireforce 50	2006	SFA228	SFAC228		SFA228HH					32
FXR Sport 50	2006	SFA169	SFAC169		SFA169HH					33
Jupiter 50	2006	SFA169	SFAC169		SFA169HH					34
RX Sport 50	2006	SFA083	SFAC083		SFA083HH					35
Truro 50	2006	SFA086	SFAC086		SFA086HH					36
VICTORY										
V92C Standard Cruiser	1998-1999	FA244		FA244V	FA244HH★	MD727*		VR727BLK		39
V92C Standard Cruiser	2001-2002	FA244		FA244V	FA244HH★					40
V92DH Deluxe Cruiser	2001-2002	FA244		FA244V	FA244HH★					41
V92SC Special Edition	2000	FA244		FA244V	FA244HH★					42
V92SC Sport Cruiser	2000	FA244*		FA244V*	FA244HH*★	MD727		VR727BLK*		43
V92SC Sport Cruiser	2001	FA244		FA244V	FA244HH★					44
King Pin 8-Ball	2008-2011				FA347HH★			VR890BLK		45
King Pin Pin	2004-2006	FA244		FA244V	FA244HH★	MD678				46
King Pin Pin	2008-2011				FA347HH★			VR890BLK		47
King Pin Tour	2004-2006	FA244		FA244V	FA244HH★	MD678		VR678BLK		48
King Pin Tour	2008-2009				FA347HH★			VR890BLK		49
Ness Signature Series	2005-2006	FA244		FA244V	FA244HH★	MD678		VR678BLK		50
V9C Touring Cruiser	2003-2005	FA244*		FA244V*	FA244HH*★					51
Jackpot	2007-2009				FA347HH★	MD678		VR678BLK		52
Jackpot	2011-2015				FA347HH★			VR890BLK		53
Jackpot Cory Ness	2008-2009				FA347HH★			VR890BLK		54
Vegas 8-Ball	2005-2006	FA244		FA244V	FA244HH★	MD678		VR678BLK		55
Vegas 8-Ball	2008-2009				FA347HH★	MD678		VR678BLK		56
Vegas 8-Ball	2011-2016				FA347HH★	MD678		VR678BLK		57
Broadwalk E	2013-2014				FA347HH★	MD890BLK		VR890BLK		58
Cross Country	2010-2016				FA347HH*★	MD890BLK*		VR890BLK*		59
Cross Country 8-Ball	2015-2016				FA347HH*★	MD890BLK*		VR890BLK*		60

*-2 Sets Required. † For Vee disc colours add RED, BLU, GRN, GLD, ORG suffix to part number.

⊗ - Also available as a Vintage Motorcycle Disc. ★ - EPFA available. ⚙ - Disc made of Billet steel. ♦ - CE solid discs for Enduro use.

Non-JAPANESE Built Motorcycles

Line #	BRAKE DISC CHOICES - FRONT			DISC PAD CHOICES - REAR				BRAKE DISC CHOICES - REAR					
	SMX Oversize 320mm Disc Kit Front Left	Front disc bolt kit	Front Brake Line	FA, SFA, TT Pad or Brake Shoe	SFAC Carbon Scooter Pads	Speciality Pads - SXR / Vee / MXS	Sintered HH/R Pads/ Grooved Shoes	Standard Replacement Disc	Contour Disc Rear Fitment	Vee Discs CONTOUR	CX Extreme MX Race Disc / UTVX Disc	Rear disc bolt kit	Rear Brake Line
1				V903									
2				V903									
3				899									
4				899									
5				816									
6				SFA321	SFAC321		SFA321HH	MD956D		VR956			
7				SFA321	SFAC321		SFA321HH	MD956D		VR956			
8				V903									
9				V903									
10				899									
11				SFA321	SFAC321		SFA321HH	MD956D		VR956			
12				SFA321	SFAC321		SFA321HH	MD956D		VR956			
13				SFA321	SFAC321		SFA321HH	MD956D		VR956			
14				SFA321	SFAC321		SFA321HH	MD956D		VR956			
15				SFA321	SFAC321		SFA321HH	MD956D		VR956			
16				SFA321	SFAC321		SFA321HH	MD956D		VR956			
17				SFA321	SFAC321		SFA321HH	MD956D		VR956			
18				SFA321	SFAC321		SFA321HH	MD956D		VR956			
19				SFA321	SFAC321		SFA321HH	MD956D		VR956			
20				SFA321	SFAC321		SFA321HH	MD956D		VR956			
21				SFA321	SFAC321		SFA321HH	MD956D		VR956			
22				SFA321	SFAC321		SFA321HH	MD956D		VR956			
23				SFA321	SFAC321		SFA321HH	MD956D		VR956			
24				899									
25				899									
26				816									
27				816									
28													
29													
30													
31													
32													
33													
34													
35													
36													
37													
38													
39				FA209/2			FA209/2HH★	MD727		VR727BLK			
40				FA209/2			FA209/2HH★						
41				FA209/2			FA209/2HH★						
42				FA209/2			FA209/2HH★	MD727		VR727BLK			
43				FA209/2			FA209/2HH★	MD727		VR727BLK			
44				FA209/2			FA209/2HH★						
45				FA196			FA196HH★			VR890BLK			
46				FA209/2			FA209/2HH★	MD678		VR678BLK			
47				FA196			FA196HH★			VR890BLK			
48				FA209/2			FA209/2HH★	MD678		VR678BLK			
49				FA196			FA196HH★			VR890BLK			
50				FA209/2			FA209/2HH★	MD678		VR678BLK			
51				FA209/2			FA209/2HH★						
52				FA196			FA196HH★	MD678		VR678BLK			
53				FA196			FA196HH★			VR890BLK			
54				FA196			FA196HH★			VR890BLK			
55				FA209/2			FA209/2HH★	MD678		VR678BLK			
56				FA196			FA196HH★	MD678		VR678BLK			
57				FA196			FA196HH★	MD678		VR678BLK			
58				FA196			FA196HH★			VR887BLK			
59				FA196			FA196HH★			VR887BLK			
60				FA196			FA196HH★			VR887BLK			

REAR / ARRIÈRE / HINTEN / POSTERIOR / POSTERIORE

R Suffix = High Durability Sintered Pad. **HH** Suffix = High Performance Sintered Pad. **TT** Suffix = Hard Wearing Off Road Pad. **V** Suffix = Semi Sintered Pad. **G** Suffix = Grooved Shoe.
D Suffix = Drilled Disc. **X** Suffix = Universal Left or Right Disc. **XC** Suffix = Contoured Disc. **LS** Suffix = Left/Steel Disc. **RS** = Right/Steel Disc.

BRAKE APPLICATIONS

*-2 Sets Required. † For Vee disc colours add RED, BLU, GRN, GLD, ORG suffix to part number.

⊙ - Also available as a Vintage Motorcycle Disc. ★ - EPFA available. ⚙ Disc made of Billet steel. ♦ CE solid discs for Enduro use.

Part numbers, prefixes, suffixes, photos and illustrations shown in this catalogue are trademarks and/or copyrights of EBC Brakes or the trademark owner A C Freeman Investments Ltd and use without express written permission of the owners is punishable by law.

Non-JAPANESE Built Motorcycles



VICTORY Contd.



Model	Year	DISC PAD CHOICES - FRONT				BRAKE DISC CHOICES - FRONT				Line #
		FA, SFA, TT Pad or Brake Shoe	SFAC Carbon Scooter Pads	Speciality Pads - SXR / Vee / MXS	Sintered/HH Pads/ Grooved Shoes	Standard Replacement Discs	Contour Disc Universal Left and Right	Vee-Discs Black † See note below	CX Extreme Disc / UTVX Disc	
Cross Country Cory Ness Victory	2011-2011				FA347HH*★	MD890BLK*		VR890BLK*		1
Cross Country Touring	2013-2016				FA347HH*★	MD890BLK*		VR890BLK*		2
Cross Roads	2010-2011				FA347HH*★	MD890BLK*		VR890BLK*		3
Cross Roads 8-Ball	2014-2014				FA347HH*★	MD890BLK*		VR890BLK*		4
Cross Roads Classic	2013-2013				FA347HH*★	MD890BLK*		VR890BLK*		5
Gunner	2015-2016				FA347HH★			VR890BLK		6
Hammer	2005-2006	FA244*		FA244V*	FA244HH*★	MD678*		VR678BLK*		7
Hammer	2008-2010				FA347HH*★			VR890BLK*		8
Hammer 8-Ball	2010-2014				FA347HH★			VR890BLK		9
Hammer S	2008-2016				FA347HH*★			VR890BLK*		10
Hard Ball	2012-2013				FA347HH*★					11
High Ball	2012-2017				FA347HH★			VR890BLK		12
Judge	2013-2016				FA347HH★			VR890BLK		13
Magnum	2015-2017				FA347HH*★			VR890BLK*		14
Magnum X-1	2015-2017				FA347HH*★			VR890BLK*		15
Vegas Jackpot	2006-2006	FA244		FA244V	FA244HH★	MD678		VR678BLK		16
Vegas Jackpot	2008-2011				FA347HH★	MD678		VR678BLK		17
Vegas Jackpot	2013-2013				FA347HH★			VR678BLK		18
Vegas Vegas	2003-2006	FA244		FA244V	FA244HH★	MD678		VR678BLK		19
Vegas Vegas	2008-2011				FA347HH★	MD678		VR678BLK		20
Vegas Vegas	2008-2008				FA347HH★	MD678		VR678BLK		21
Vegas Vegas	2016-2016				FA347HH★	MD678		VR678BLK		22
Vision 8-Ball	2008-2009				FA261HH*★			VR890BLK*		23
Vision Low	2010-2010				FA261HH*★			VR890BLK*		24
Vision Street	2008-2015				FA261HH*★			VR890BLK*		25
Vision Tour - All models	2010-2011				FA261HH*★			VR890BLK*		26
										27
										28
										29
R 125	2023-2024	FA215			FA215HH					29
SR 125 Scooter	2023-2024	SFA228	SFAC228		SFA228HH					30
Rally 300GY	2023-2024	FA135TT			FA135R					31
Trofeo AC350	2023-2024	FA142			FA142HH					32
400 SR4 Scooter	2024	FA606*			FA606HH*★					33
500 R	2023-2024	FA142		FA142V	FA142HH					34
Trofeo AC525X	2023-2024	FA142		FA142V	FA142HH					35
Valico DS525X	2023-2024	FA142		FA142V	FA142HH					36
Valico 650DS	2023-2024	FA142		FA142V	FA142HH					37
										38
										39
										40
										41
										42
										43
										44
										45
										46
										47
										48
										49
										50
										51
										52
										53
										54
										55
										56
										57
										58
										59
										60

FRONT / AVANT / VORN / FRENTE / ANTERIORE

R Suffix = High Durability Sintered Pad. HH Suffix = High Performance Sintered Pad. TT Suffix = Hard Wearing Off Road Pad. V Suffix = Semi Sintered Pad. G Suffix = Grooved Shoe.
D Suffix = Drilled Disc. X Suffix = Universal Left or Right Disc. XC Suffix = Contoured Disc. LS Suffix = Left/Steel Disc. RS = Right/Steel Disc.

*-2 Sets Required. † For Vee disc colours add RED, BLU, GRN, GLD, ORG suffix to part number.

⊗ - Also available as a Vintage Motorcycle Disc. ★ - EPFA available. ⚙ Disc made of Billet steel. ♦ CE solid discs for Enduro use.

Non-JAPANESE Built Motorcycles

Line #	BRAKE DISC CHOICES - FRONT			DISC PAD CHOICES - REAR				BRAKE DISC CHOICES - REAR					
	SMX Oversize 320mm Disc Kit Front Left	Front disc bolt kit	Front Brake Line	FA, SFA, TT Pad or Brake Shoe	SFAC Carbon Scooter Pads	Speciality Pads - SXR / Vee / MXS	Sintered HH/R Pads/ Grooved Shoes	Standard Replacement Disc	Contour Disc Rear Fitment	Vee Discs CONTOUR	CX Extreme MX Race Disc / UTVX Disc	Rear disc bolt kit	Rear Brake Line
1				FA196			FA196HH★			VR887BLK			
2				FA196			FA196HH★			VR887BLK			
3				FA196			FA196HH★			VR887BLK			
4				FA196			FA196HH★			VR887BLK			
5				FA196			FA196HH★			VR887BLK			
6				FA196			FA196HH★			VR890BLK			
7				FA209/2			FA209/2HH★	MD678		VR678BLK			
8				FA196			FA196HH★			VR890BLK			
9				FA196			FA196HH★			VR890BLK			
10				FA196			FA196HH★			VR890BLK			
11				FA196			FA196HH★			VR887BLK			
12				FA196			FA196HH★			VR890BLK			
13				FA196			FA196HH★			VR890BLK			
14				FA196			FA196HH★			VR887BLK			
15				FA196			FA196HH★			VR887BLK			
16				FA209/2			FA209/2HH★	MD678		VR678BLK			
17				FA196			FA196HH★	MD678		VR678BLK			
18				FA196			FA196HH★	MD678		VR678BLK			
19				FA209/2			FA209/2HH★	MD678		VR678BLK			
20				FA196			FA196HH★	MD678		VR678BLK			
21				FA196			FA196HH★	MD678		VR678BLK			
22				FA196			FA196HH★	MD678		VR678BLK			
23				FA196			FA196HH★			VR887BLK			
24				FA196			FA196HH★			VR887BLK			
25				FA196			FA196HH★			VR887BLK			
26				FA196			FA196HH★			VR887BLK			
27													
28													
29				FA131TT			FA131R						
30				TBC									
31				FA140			FA140HH						
32				FA140			FA140HH						
33				FA213			FA213HH★						
34				FA140			FA140HH						
35				FA140			FA140HH						
36				FA140			FA140HH						
37				FA140			FA140HH						
38													
39													
40				FA208TT		MXS208	FA208R						
41				FA208TT		MXS208	FA208R						
42				FA208TT		MXS208	FA208R						
43				FA208TT		MXS208	FA208R						
44				FA208TT		MXS208	FA208R						
45				FA208TT		MXS208	FA208R						
46													
47													
48				FA266			FA266HH★	MD2002	MD2002C	VR2002			
49				FA047			FA047HH						
50				FA047			FA047HH						
51				FA266			FA266HH★	MD2002	MD2002C	VR2002			
52				FA266			FA266HH★	MD2002	MD2002C	VR2002			
53				FA266			FA266HH★	MD2002	MD2002C	VR2002			
54				FA266			FA266HH★	MD2002	MD2002C	VR2002			
55				FA266			FA266HH★	MD2002	MD2002C	VR2002			
56				FA266			FA266HH★						
57				FA266			FA266HH★	MD2002	MD2002C	VR2002			
58				FA165/2TT			FA266HH★						
59				FA266			FA266HH★	MD2002	MD2002C	VR2002			
60				FA266			FA266HH★						

REAR / ARRIÈRE / HINTEN / POSTERIORE

R Suffix = High Durability Sintered Pad. **HH** Suffix = High Performance Sintered Pad. **TT** Suffix = Hard Wearing Off Road Pad. **V** Suffix = Semi Sintered Pad. **G** Suffix = Grooved Shoe.
D Suffix = Drilled Disc. **X** Suffix = Universal Left or Right Disc. **XC** Suffix = Contoured Disc. **LS** Suffix = Left/Steel Disc. **RS** = Right/Steel Disc.

*-2 Sets Required. † For Vee disc colours add RED, BLU, GRN, GLD, ORG suffix to part number.

⊙ - Also available as a Vintage Motorcycle Disc. ★ - EPFA available. ⚙ - Disc made of Billet steel. ♦ - CE solid discs for Enduro use.

Part numbers, prefixes, suffixes, photos and illustrations shown in this catalogue are trademarks and/or copyrights of EBC Brakes or the trademark owner A C Freeman Investments Ltd and use without express written permission of the owners is punishable by law.

Non-JAPANESE Built Motorcycles



W.T.MOTORS



Bilbao 50	2008-2009	SFA086	SFAC086		SFA086HH						Line #
WT 500 Alaska Quad	2008-2009	FA453TT*			FA453R*						

WK BIKES

Bellisima 50	2013-2015	SFA086	SFAC086		SFA086HH						
Mii 50	2013-2015	SFA235	SFAC235								
SM 50	2011-2012	FA115			FA115HH						
SP 50	2013	FA095			FA095HH★						
VS 50 /Scooter	2013-2015	SFA086	SFAC086		SFA086HH						
Wasp R 50	2013-2015	SFA086	SFAC086		SFA086HH						
WK Go 50	2011-2015	SFA086	SFAC086		SFA086HH						
WK GTR 50	2010-2014	SFA266	SFAC266		SFA266HH						
WK One 50	2010-2012	SFA235	SFAC235								
125 RR Sport	2012-2013										
Bellisima 125	2013-2015	SFA086	SFAC086		SFA086HH						
RT 125	2015	FA093									
SP 125 N	2013-2015	FA095			FA095HH★						
Tomcat 125	2015	FA086			FA086HH						
Trail 125	2011-2015	FA197			FA197HH★						
VS 125 /Scooter	2013-2015	SFA086	SFAC086		SFA086HH						
Wasp 125	2013-2015	SFA086	SFAC086		SFA086HH						
WK 125	2010-2015	SFA228	SFAC228		SFA228HH						
WK 125	2011-2015	FA196			FA196HH★						
WK 125	2015	FA086*			FA086HH*						
WK 125 Cruiser	2010-2014	SFA228	SFAC228		SFA228HH						
WK 125 SC	2010-2015	FA196			FA196HH★						
150 NK	2015	FA658									
SP 250 N	2015	FA095*			FA095HH*★						
WK GP 2 /50cc	2010-2014	SFA235	SFAC235								
WK Jetmax 250	Left 2010-2014		SFAC228		SFA228HH						
	Right	SFA197	SFAC197		SFA197HH						
GTR 300 Scooter	2013-2015	SFA086	SFAC086		SFA086HH						
WK 400 Trail	2015-2017	FA664TT	SFAC169		FA664R						
450 RX Enduro	2014	FA185TT		MXS185	FA185R						
450 RX Supermoto	2014	FA185TT		MXS185	FA185R						
650 TR Touring	Left 2013-2015				FA229HH★						
	Right	FA231			FA231HH★						
650i Naked	Left 2013-2015				FA229HH★						
	Right	FA231			FA231HH★						

FRONT / AVANT / VORN / FRENTE / ANTERIORE

WUYANG

WY 50 QT	2006-2007	SFA169	SFAC169		SFA169HH						
WY 125-12	2006-2007	SFA093									
WY 125-16C	2006-2007	SFA093									
WY 125-24B	2006-2007	SFA197	SFAC197		SFA197HH						

XISPA

X 125 R	2008-2009	FA303TT									
X 250 R	2008-2009	FA303TT									
X 280 R	2008-2009	FA303TT									

XOR

XO 2 4.0KW	2013-2014	SFA197	SFAC197		SFA197HH						
XO 2 8.0KW	2013-2014	SFA197	SFAC197		SFA197HH						

ZERO ELECTRIC MOTORCYCLES

Zero DS	2016-2018	FA209/2			FA209/2HH		MD1187C				
Zero DS II ZF14.4	2019-2021	FA209/2			FA209/2HH		MD1187C				
Zero DS II ZF8.5/ZF11.4	2019-2021	FA209/2			FA209/2HH		MD1187C				
Zero DS ZF13.0	2010-2011	FA264			FA264HH		MD1187C				

*-2 Sets Required. † For Vee disc colours add RED, BLU, GRN, GLD, ORG suffix to part number.

⊗ - Also available as a Vintage Motorcycle Disc. ★ - EPFA available. ⚙ - Disc made of Billet steel. ♦ - CE solid discs for Enduro use.

390 Part numbers, prefixes, suffixes, photos and illustrations shown in this catalogue are trademarks and/or copyrights of EBC Brakes or the trademark owner A C Freeman Investments Ltd and use without express written permission of the owners is punishable by law.

Non-JAPANESE Built Motorcycles

Line #	BRAKE DISC CHOICES - FRONT			DISC PAD CHOICES - REAR				BRAKE DISC CHOICES - REAR					
	SMX Oversize 320mm Disc Kit Front Left	Front disc bolt kit	Front Brake Line	FA, SFA, TT Pad or Brake Shoe	SFAC Carbon Scooter Pads	Speciality Pads - SXR / Vee / MXS	Sintered HH/R Pads/ Grooved Shoes	Standard Replacement Disc	Contour Disc Rear Fitment	Vee Discs CONTOUR	CX Extreme MX Race Disc / UTVX Disc	Rear disc bolt kit	Rear Brake Line
1													
2				FA344TT			FA344R						
3													
4													
5				Y503									
6				Y503									
7				FA115			FA115HH						
8				Y503									
9													
10				SFA115	SFAC115		SFA115HH						
11				Y503									
12				SFA260	SFAC260		SFA260HH						
13				Y503									
14				FA256			FA256HH						
15				Y503									
16				SFA266									
17				SFA266									
18				SFA266									
19				FA367TT			FA367R						
20													
21				SFA197	SFAC197		SFA197HH						
22				SFA101	SFAC101		SFA101HH						
23				FA197			FA197HH★						
24				SFA101	SFAC101		SFA101HH						
25				SFA266	SFAC266		SFA266HH						
26				FA197			FA197HH★						
27				FA192									
28				FA192									
29				Y503									
30				SFA266	SFAC266		SFA266HH						
31													
32				SFA197			SFA197HH						
33				FA697			FA697R						
34				FA368TT		MXS368	FA368R						
35				FA368TT		MXS368	FA368R						
36				SFA197			FA192HH						
37				FA192									
38				FA192			FA192HH						
39													
40													
41													
42				SFA197									
43													
44													
45													
46													
47													
48				FA351TT									
49				FA351TT									
50				FA351TT									
51													
52													
53				SFA197			SFA197HH						
54				SFA197			SFA197HH						
55													
56													
57				FA213			FA213HH★						
58				FA213			FA213HH★						
59				FA213			FA213HH★						
60				FA083TT			FA083HH						

REAR / ARRIÈRE / HINTEN / POSTERIOR / POSTERIORE

R Suffix = High Durability Sintered Pad. **HH** Suffix = High Performance Sintered Pad. **TT** Suffix = Hard Wearing Off Road Pad. **V** Suffix = Semi Sintered Pad. **G** Suffix = Grooved Shoe.
D Suffix = Drilled Disc. **X** Suffix = Universal Left or Right Disc. **XC** Suffix = Contoured Disc. **LS** Suffix = Left/Steel Disc. **RS** = Right/Steel Disc.

BRAKE APPLICATIONS

*-2 Sets Required. † For Vee disc colours add RED, BLU, GRN, GLD, ORG suffix to part number.

⊗ - Also available as a Vintage Motorcycle Disc. ★ - EPFA available. ⚙ Disc made of Billet steel. ♦ CE solid discs for Enduro use.

Part numbers, prefixes, suffixes, photos and illustrations shown in this catalogue are trademarks and/or copyrights of EBC Brakes or the trademark owner A C Freeman Investments Ltd and use without express written permission of the owners is punishable by law.

Non-JAPANESE Built Motorcycles



ZERO Electric Motorcycles



Contd.

		DISC PAD CHOICES - FRONT			BRAKE DISC CHOICES - FRONT					Line #
		FA, SFA, TT Pad or Brake Shoe	SFAC Carbon Scooter Pads	Speciality Pads - SXR / Vee / MXS	Sintered/HH Pads/ Grooved Shoes	Standard Replacement Discs	Contour Disc Universal Left and Right	Vee-Discs Black † See note below	CX Extreme Disc / UTVX Disc	
Zero DS ZF6.0/ZF9.0	2013	FA181TT					MD6435C			1
Zero DS ZF6.0/ZF9.0	2014	FA181TT					MD6435C			2
Zero DS ZF8.5/ZF11.4	2015	FA209/2			FA209/2HH		MD6435C			3
Zero DSR ZF13.0	2019-2021	FA209/2			FA209/2HH		MD1187C			4
Zero DSR ZF14.4.0	2019-2021	FA209/2			FA209/2HH		MD1187C			5
Zero DSR ZF7.2	2017-2018	FA209/2			FA209/2HH		MD1187C			6
Zero DSR/X ZF17.3	2022	FA244*			FA244HH*					7
Zero FX Black Forest Edition - ZF14.4.0	2013	FA181TT					MD6435C			8
Zero FX Black Forest Edition - ZF14.4.0	2015	FA181TT			FA181R		MD6435C			9
Zero FX ZF2.8/ZF5.7	2014	FA181TT					MD6435C			10
Zero FX ZF2.8/ZF5.7	2016-2020	FA209/2			FA209/2HH		MD6435C			11
Zero FXS ZF3.3/ZF6.5	2017-2020	FA209/2			FA209/2HH		MD1187C			12
Zero MX R	2012	FA181TT								13
Zero MX ZF3.3/ZF6.5	2010-2011	FA264			FA264HH					14
Zero S R	2019-2020	FA209/2			FA209/2HH		MD1187C			15
Zero S ZF14.4	2010-2011	FA264			FA264HH		MD1187C			16
Zero S ZF6.0	2019-2020	FA209/2			FA209/2HH		MD1187C			17
Zero S ZF7.2	2013	FA181TT					MD1187C			18
Zero S ZF7.2	2014	FA181TT					MD1187C			19
Zero S ZF8.5/ZF11.4	2015	FA209/2			FA209/2HH					20
Zero S ZF8.5/ZF11.4	2016-2018	FA209/2			FA209/2HH					21
Zero SR ZF11.4	2016-2018	FA209/2			FA209/2HH					22
Zero SR ZF9.8/ZF13.0	2014	FA181TT								23
Zero SR ZF9.8/ZF13.0	2015	FA209/2			FA209/2HH					24
Zero SR/F R	2019-2021	FA244*			FA244HH*	MD669X*				25
Zero SR/S 14.4 kWh	2019-2021	FA244*			FA244HH*	MD669X*				26
Zero X ZF13.0	2010-2012	FA264			FA264HH					27
Zero XU R	2010-2012	FA264			FA264HH					28
Zero XU R	2012	FA181TT								29
										30
										31
										32
										33
										34
										35
										36
										37
										38
										39
										40
										41
										42
										43
										44
										45
										46
										47
										48
										49
										50
										51
										52
										53
										54
										55
										56
										57
										58
										59
										60

FRONT / AVANT / VORN / FRENTE / ANTERIORE

ZINGBIKES

Vogue 150 3 wheeler 14.4 kWh 2008-2009 FA486

ZONTES

Tiger 50 2014-2015 FA093
 ZT 125 Firefly 2017-2019 FA727
 ZT 125 G1 2020 FA142 FA142HH
 ZT 125 GK 2022-2023 FA142 FA142HH
 ZT 125 Mantis 2017-2019 SFA727
 ZT 125 Mantis 2022-2023 SFA727
 ZT 125 Scorpion 2017-2019 FA727
 ZT 125 U 2021-2023 FA142 FA142HH
 ZT 125 U1 2023 FA142 FA142HH
 ZT 310 M 2022-2023 FA142 FA142HH
 ZT 310 R 2020-2021 FA142 FA142HH
 ZT 310 T 2020-2021 FA142 FA142HH
 ZT 310 V 2020-2021 FA142 FA142HH
 ZT 310 X 2020-2021 FA142 FA142HH
 ZT 350 GK 2022-2023 FA244 FA244HH★
 ZT 350 R1 2022-2023 FA244 FA244HH★
 ZT 350 T1 2022-2023 FA244 FA244HH★
 ZT 350 T2 2022-2023 FA244 FA244HH★
 ZT 350 X1 2022-2023 FA244 FA244HH★
 ZT 125-3A Tiger 2009-2015 FA093
 ZT 125-5A Monster 2009-2015 FA197 FA197HH★
 ZT 125-8A Panther 2009-2015 FA093

ZUNDAPP

CS 25 Mofa Bj R 1980-1982 976
 CS 25 Mofa Bj Type 448-140 1982 976

*-2 Sets Required. † For Vee disc colours add RED, BLU, GRN, GLD, ORG suffix to part number.

⊗ - Also available as a Vintage Motorcycle Disc. ★ - EPFA available. ⚙ - Disc made of Billet steel. ♦ - CE solid discs for Enduro use.

Non-JAPANESE Built Motorcycles

Line #	BRAKE DISC CHOICES - FRONT			DISC PAD CHOICES - REAR				BRAKE DISC CHOICES - REAR					
	SMX Oversize 320mm Disc Kit Front Left	Front disc bolt kit	Front Brake Line	FA, SFA, TT Pad or Brake Shoe	SFAC Carbon Scooter Pads	Speciality Pads - SXR / Vee / MXS	Sintered HH/R Pads/ Grooved Shoes	Standard Replacement Disc	Contour Disc Rear Fitment	Vee Discs CONTOUR	CX Extreme MX Race Disc / UTVX Disc	Rear disc bolt kit	Rear Brake Line
1				FA367TT			FA367R						
2				FA208TT			FA208R						
3				FA213			FA213HH★						
4				FA213			FA213HH★						
5				FA213			FA213HH★						
6				FA213			FA213HH★						
7				FA209/2			FA209/2HH★						
8				FA367TT			FA367R						
9				FA208TT			FA208R						
10				FA208TT			FA208R						
11				FA213			FA213HH★						
12				FA213			FA213HH★						
13				FA367TT			FA367R						
14				FA083TT			FA083HH						
15				FA213			FA213HH★						
16				FA083TT			FA083HH						
17				FA213			FA213HH★						
18				FA367TT			FA367R						
19				FA208TT			FA208R						
20				FA213			FA213HH★						
21				FA213			FA213HH★						
22				FA213			FA213HH★						
23				FA208TT			FA208R						
24				FA213			FA213HH★						
25				FA213			FA213HH★	TBC					
26				FA213			FA213HH★	TBC					
27				FA083TT			FA083HH						
28				FA083TT			FA083HH						
29				FA367TT			FA367R						
30													
31													
32													
33													
34													
35													
36				FA140									
37				FA140			FA140HH						
38				FA140			FA140HH						
39				FA140									
40				FA140									
41													
42				FA140			FA140HH						
43				FA140			FA140HH						
44				FA140			FA140HH						
45				FA140			FA140HH						
46				FA140			FA140HH						
47				FA140			FA140HH						
48				FA140			FA140HH						
49				FA140			FA140HH						
50				FA140			FA140HH						
51				FA140			FA140HH						
52				FA140			FA140HH						
53				FA140			FA140HH						
54													
55				FA197			FA197HH★						
56				FA197									
57													
58													
59				976									
60				976									

REAR / ARRIÈRE / HINTEN / POSTERIOR / POSTERIORE

R Suffix = High Durability Sintered Pad. HH Suffix = High Performance Sintered Pad. TT Suffix = Hard Wearing Off Road Pad. V Suffix = Semi Sintered Pad. G Suffix = Grooved Shoe.
D Suffix = Drilled Disc. X Suffix = Universal Left or Right Disc. XC Suffix = Contoured Disc. LS Suffix = Left/Steel Disc. RS = Right/Steel Disc.

BRAKE APPLICATIONS

*-2 Sets Required. † For Vee disc colours add RED, BLU, GRN, GLD, ORG suffix to part number.

⊙ - Also available as a Vintage Motorcycle Disc. ★ - EPFA available. ⚙ Disc made of Billet steel. ♦ CE solid discs for Enduro use.

Part numbers, prefixes, suffixes, photos and illustrations shown in this catalogue are trademarks and/or copyrights of EBC Brakes or the trademark owner A C Freeman Investments Ltd and use without express written permission of the owners is punishable by law.

Non-JAPANESE Built Motorcycles



ZUNDAPP Contd.



DISC PAD CHOICES - FRONT

BRAKE DISC CHOICES - FRONT

		FA, SFA, TT Pad or Brake Shoe	SFAC Carbon Scooter Pads	Speciality Pads - SXR / Vee / MXS	Sintered/HH Pads/ Grooved Shoes	Standard Replacement Discs	Contour Disc Universal Left and Right	Vee-Discs Black † See note below	CX Extreme Disc / UTVX Disc	OSX Oversize 250mm or 280mm	Line #
CS 25 Mofa Bj Type 448-140	1982	976									1
CX 25 Mofa Bj Type 448-141	1983-1984	976									2
Hai 25 Mofa Bj Type 448-013	1980-1982	976									3
CB 50 Mokick Bj R	1980	976									4
CS 50 Mokick Bj R	1979-1980	976									5
CS 50 Mokick Bj Type 448-010	1980-1982	976									6
Hai 50 Mokick-Enduro Bj Type 448-150	1980	976									7
Hai 50 Mokick-Enduro Bj Type 448-150	1980-1982	976									8
KS 50 Sport/Supersport Type 448-111	1970	FA050									9
KS 80 Super	1983	FA060									10
KS 80 Super	1984	FA099									11
KS 80/Touring Type 448-111	1980	FA050									12
KS 100	1971	FA050									13
KS 125	1981	FA076			FA076HH						14
KS 125/KS 175	1982	FA018			FA018HH						15
											16
											17
											18
											19
											20
											21
											22
											23
											24
											25
											26
											27
											28
											29
											30
											31
											32
											33
											34
											35
											36
											37
											38
											39
											40
											41
											42
											43
											44
											45
											46
											47
											48
											49
											50
											51
											52
											53
											54
											55
											56
											57
											58
											59
											60

FRONT / AVANT / VORN / FRENTE / ANTERIORE

R Suffix = High Durability Sintered Pad. HH Suffix = High Performance Sintered Pad. TT Suffix = Hard Wearing Off Road Pad. V Suffix = Semi Sintered Pad. G Suffix = Grooved Shoe.
D Suffix = Drilled Disc. X Suffix = Universal Left or Right Disc. XC Suffix = Contoured Disc. LS Suffix = Left/Steel Disc. RS = Right/Steel Disc.

*-2 Sets Required. † For Vee disc colours add RED, BLU, GRN, GLD, ORG suffix to part number.

⊗ - Also available as a Vintage Motorcycle Disc. ★ - EPFA available. ⚙ Disc made of Billet steel. ◆ CE solid discs for Enduro use.

Non-JAPANESE Built Motorcycles

**BRAKE
APPLICATIONS**

Line #	BRAKE DISC CHOICES - FRONT			DISC PAD CHOICES - REAR				BRAKE DISC CHOICES - REAR					
	SMX Oversize 320mm Disc Kit Front Left	Front disc bolt kit	Front Brake Line	FA, SFA, TT Pad or Brake Shoe	SFAC Carbon Scooter Pads	Speciality Pads - SXR / Vee / MXS	Sintered HH/R Pads/ Grooved Shoes	Standard Replacement Disc	Contour Disc Rear Fitment	Vee Discs CONTOUR	CX Extreme MX Race Disc / UTVX Disc	Rear disc bolt kit	Rear Brake Line
1				976									
2				976									
3				976									
4				976									
5				976									
6				976									
7				976									
8				976									
9				975									
10													
11													
12													
13				975									
14													
15													
16													
17													
18													
19													
20													
21													
22													
23													
24													
25													
26													
27													
28													
29													
30													
31													
32													
33													
34													
35													
36													
37													
38													
39													
40													
41													
42													
43													
44													
45													
46													
47													
48													
49													
50													
51													
52													
53													
54													
55													
56													
57													
58													
59													
60													

REAR / ARRIÈRE / HINTEN / POSTERIOR / POSTERIORE

R Suffix = High Durability Sintered Pad. **HH** Suffix = High Performance Sintered Pad. **TT** Suffix = Hard Wearing Off Road Pad. **V** Suffix = Semi Sintered Pad. **G** Suffix = Grooved Shoe.
D Suffix = Drilled Disc. **X** Suffix = Universal Left or Right Disc. **XC** Suffix = Contoured Disc. **LS** Suffix = Left/Steel Disc. **RS** = Right/Steel Disc.

*-2 Sets Required. † For Vee disc colours add RED, BLU, GRN, GLD, ORG suffix to part number.

⊗ - Also available as a Vintage Motorcycle Disc. ★ - EPFA available. ⚙ Disc made of Billet steel. ♦ CE solid discs for Enduro use.

Part numbers, prefixes, suffixes, photos and illustrations shown in this catalogue are trademarks and/or copyrights of EBC Brakes or the trademark owner A C Freeman Investments Ltd and use without express written permission of the owners is punishable by law.

EBC BRAKE PAD BUYERS GUIDE


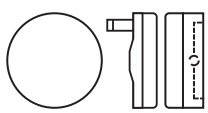

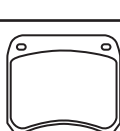
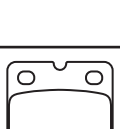
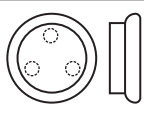
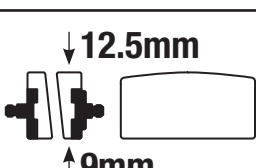

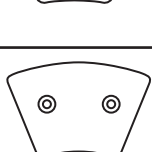

NOTE:- Size identification is shown as follows

Dimension 1=Width or Diameter, Dimension 2=Height or Diameter, Dimension 3=Thickness Material and backplate

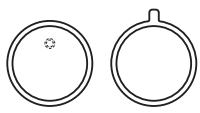
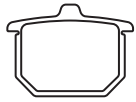
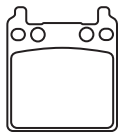
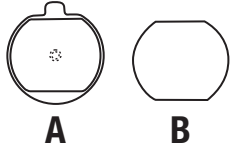

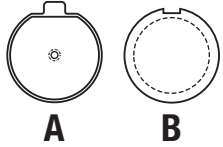
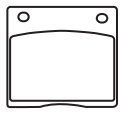
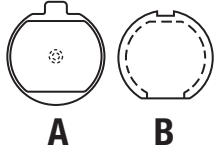
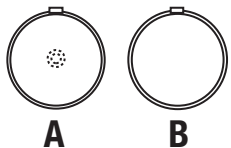
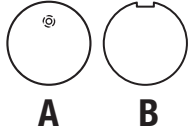

Brief Fitment (see application pages)

BRAKE PAD
BUYERS GUIDE

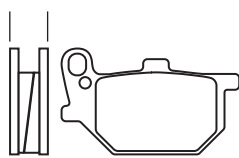


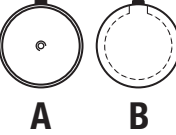



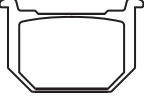

DO NOT REFIT ANY SHIMS/INSULATORS TO EBC PADS FROM ORIGINAL PADS UNLESS INSTRUCTED ON NOTE ON PAD PACKAGING AND ON FA DRAWING ASSOCIATED WITH THAT PAD.

FA011 48 x 9mm		<table border="1"> <thead> <tr> <th colspan="12">MATERIAL AVAILABILITY</th> </tr> <tr> <th>FA</th><th>TT</th><th>V</th><th>R</th><th>MXS</th><th>HH</th><th>EPFA</th><th>GPFAX</th><th>SFA</th><th>SFAHH</th><th>SFAC</th><th>SXR</th> </tr> </thead> <tbody> <tr> <td>✓</td><td></td><td></td><td></td><td></td><td></td><td></td><td></td><td></td><td></td><td></td><td></td> </tr> </tbody> </table> <p>ISR AFTERMARKET CALIPER, YAMAHA</p>	MATERIAL AVAILABILITY												FA	TT	V	R	MXS	HH	EPFA	GPFAX	SFA	SFAHH	SFAC	SXR	✓											
MATERIAL AVAILABILITY																																						
FA	TT	V	R	MXS	HH	EPFA	GPFAX	SFA	SFAHH	SFAC	SXR																											
✓																																						
FA012 50 x 13/20mm		<table border="1"> <thead> <tr> <th colspan="12">MATERIAL AVAILABILITY</th> </tr> <tr> <th>FA</th><th>TT</th><th>V</th><th>R</th><th>MXS</th><th>HH</th><th>EPFA</th><th>GPFAX</th><th>SFA</th><th>SFAHH</th><th>SFAC</th><th>SXR</th> </tr> </thead> <tbody> <tr> <td>✓</td><td></td><td>✓</td><td></td><td></td><td></td><td></td><td></td><td></td><td></td><td></td><td></td> </tr> </tbody> </table> <p>HONDA</p>	MATERIAL AVAILABILITY												FA	TT	V	R	MXS	HH	EPFA	GPFAX	SFA	SFAHH	SFAC	SXR	✓		✓									
MATERIAL AVAILABILITY																																						
FA	TT	V	R	MXS	HH	EPFA	GPFAX	SFA	SFAHH	SFAC	SXR																											
✓		✓																																				
FA013 52 x 13.5/19.5mm		<table border="1"> <thead> <tr> <th colspan="12">MATERIAL AVAILABILITY</th> </tr> <tr> <th>FA</th><th>TT</th><th>V</th><th>R</th><th>MXS</th><th>HH</th><th>EPFA</th><th>GPFAX</th><th>SFA</th><th>SFAHH</th><th>SFAC</th><th>SXR</th> </tr> </thead> <tbody> <tr> <td>✓</td><td></td><td>✓</td><td></td><td></td><td></td><td></td><td></td><td></td><td></td><td></td><td></td> </tr> </tbody> </table> <p>HONDA</p>	MATERIAL AVAILABILITY												FA	TT	V	R	MXS	HH	EPFA	GPFAX	SFA	SFAHH	SFAC	SXR	✓		✓									
MATERIAL AVAILABILITY																																						
FA	TT	V	R	MXS	HH	EPFA	GPFAX	SFA	SFAHH	SFAC	SXR																											
✓		✓																																				
FA016 59.5 x 52 x 10mm		<table border="1"> <thead> <tr> <th colspan="12">MATERIAL AVAILABILITY</th> </tr> <tr> <th>FA</th><th>TT</th><th>V</th><th>R</th><th>MXS</th><th>HH</th><th>EPFA</th><th>GPFAX</th><th>SFA</th><th>SFAHH</th><th>SFAC</th><th>SXR</th> </tr> </thead> <tbody> <tr> <td>✓</td><td></td><td></td><td></td><td></td><td>✓</td><td>✓</td><td>✓</td><td></td><td></td><td></td><td></td> </tr> </tbody> </table> <p>AP/LOCKHEED AFTERMARKET CALIPER, DUCATI, TRIUMPH MERIDEN MODELS</p>	MATERIAL AVAILABILITY												FA	TT	V	R	MXS	HH	EPFA	GPFAX	SFA	SFAHH	SFAC	SXR	✓					✓	✓	✓				
MATERIAL AVAILABILITY																																						
FA	TT	V	R	MXS	HH	EPFA	GPFAX	SFA	SFAHH	SFAC	SXR																											
✓					✓	✓	✓																															
FA018 56 x 53.5 x 9mm		<table border="1"> <thead> <tr> <th colspan="12">MATERIAL AVAILABILITY</th> </tr> <tr> <th>FA</th><th>TT</th><th>V</th><th>R</th><th>MXS</th><th>HH</th><th>EPFA</th><th>GPFAX</th><th>SFA</th><th>SFAHH</th><th>SFAC</th><th>SXR</th> </tr> </thead> <tbody> <tr> <td>✓</td><td></td><td>✓</td><td></td><td></td><td>✓</td><td></td><td></td><td></td><td></td><td></td><td></td> </tr> </tbody> </table> <p>AMERICAN SUSPENSION CALIPERS, BENELLI, BIMOTA, BMW, DUCATI, HOREX, LAVERDA, MOTO GUZZI, MZ, NORTON, TRIUMPH MERIDEN MODELS ONLY FA019 - DUCATI</p>	MATERIAL AVAILABILITY												FA	TT	V	R	MXS	HH	EPFA	GPFAX	SFA	SFAHH	SFAC	SXR	✓		✓			✓						
MATERIAL AVAILABILITY																																						
FA	TT	V	R	MXS	HH	EPFA	GPFAX	SFA	SFAHH	SFAC	SXR																											
✓		✓			✓																																	
FA019 56 x 53.5 x 7mm																																						
FA021 47 x 16.2 x 7mm		<table border="1"> <thead> <tr> <th colspan="12">MATERIAL AVAILABILITY</th> </tr> <tr> <th>FA</th><th>TT</th><th>V</th><th>R</th><th>MXS</th><th>HH</th><th>EPFA</th><th>GPFAX</th><th>SFA</th><th>SFAHH</th><th>SFAC</th><th>SXR</th> </tr> </thead> <tbody> <tr> <td>✓</td><td></td><td></td><td>✓</td><td></td><td></td><td></td><td></td><td></td><td></td><td></td><td></td> </tr> </tbody> </table> <p>YAMAHA</p>	MATERIAL AVAILABILITY												FA	TT	V	R	MXS	HH	EPFA	GPFAX	SFA	SFAHH	SFAC	SXR	✓			✓								
MATERIAL AVAILABILITY																																						
FA	TT	V	R	MXS	HH	EPFA	GPFAX	SFA	SFAHH	SFAC	SXR																											
✓			✓																																			
FA022 70 x 35mm		<table border="1"> <thead> <tr> <th colspan="12">MATERIAL AVAILABILITY</th> </tr> <tr> <th>FA</th><th>TT</th><th>V</th><th>R</th><th>MXS</th><th>HH</th><th>EPFA</th><th>GPFAX</th><th>SFA</th><th>SFAHH</th><th>SFAC</th><th>SXR</th> </tr> </thead> <tbody> <tr> <td>✓</td><td></td><td>✓</td><td></td><td></td><td></td><td></td><td></td><td></td><td></td><td></td><td></td> </tr> </tbody> </table> <p>BMW</p>	MATERIAL AVAILABILITY												FA	TT	V	R	MXS	HH	EPFA	GPFAX	SFA	SFAHH	SFAC	SXR	✓		✓									
MATERIAL AVAILABILITY																																						
FA	TT	V	R	MXS	HH	EPFA	GPFAX	SFA	SFAHH	SFAC	SXR																											
✓		✓																																				
FA024/2 113.5 x 64.5 x 7mm		<table border="1"> <thead> <tr> <th colspan="12">MATERIAL AVAILABILITY</th> </tr> <tr> <th>FA</th><th>TT</th><th>V</th><th>R</th><th>MXS</th><th>HH</th><th>EPFA</th><th>GPFAX</th><th>SFA</th><th>SFAHH</th><th>SFAC</th><th>SXR</th> </tr> </thead> <tbody> <tr> <td>✓</td><td></td><td>✓</td><td></td><td></td><td></td><td></td><td></td><td></td><td></td><td></td><td></td> </tr> </tbody> </table> <p>HARLEY DAVIDSON, BANANA CALIPER</p>	MATERIAL AVAILABILITY												FA	TT	V	R	MXS	HH	EPFA	GPFAX	SFA	SFAHH	SFAC	SXR	✓		✓									
MATERIAL AVAILABILITY																																						
FA	TT	V	R	MXS	HH	EPFA	GPFAX	SFA	SFAHH	SFAC	SXR																											
✓		✓																																				
FA026 75.5 x 50 x 7mm		<table border="1"> <thead> <tr> <th colspan="12">MATERIAL AVAILABILITY</th> </tr> <tr> <th>FA</th><th>TT</th><th>V</th><th>R</th><th>MXS</th><th>HH</th><th>EPFA</th><th>GPFAX</th><th>SFA</th><th>SFAHH</th><th>SFAC</th><th>SXR</th> </tr> </thead> <tbody> <tr> <td>✓</td><td></td><td></td><td></td><td></td><td></td><td></td><td></td><td></td><td></td><td></td><td></td> </tr> </tbody> </table> <p>HARLEY DAVIDSON</p>	MATERIAL AVAILABILITY												FA	TT	V	R	MXS	HH	EPFA	GPFAX	SFA	SFAHH	SFAC	SXR	✓											
MATERIAL AVAILABILITY																																						
FA	TT	V	R	MXS	HH	EPFA	GPFAX	SFA	SFAHH	SFAC	SXR																											
✓																																						
FA027 44 x 55 x 9.5mm		<table border="1"> <thead> <tr> <th colspan="12">MATERIAL AVAILABILITY</th> </tr> <tr> <th>FA</th><th>TT</th><th>V</th><th>R</th><th>MXS</th><th>HH</th><th>EPFA</th><th>GPFAX</th><th>SFA</th><th>SFAHH</th><th>SFAC</th><th>SXR</th> </tr> </thead> <tbody> <tr> <td>✓</td><td></td><td></td><td></td><td></td><td></td><td></td><td></td><td></td><td></td><td></td><td></td> </tr> </tbody> </table> <p>NORTON</p>	MATERIAL AVAILABILITY												FA	TT	V	R	MXS	HH	EPFA	GPFAX	SFA	SFAHH	SFAC	SXR	✓											
MATERIAL AVAILABILITY																																						
FA	TT	V	R	MXS	HH	EPFA	GPFAX	SFA	SFAHH	SFAC	SXR																											
✓																																						


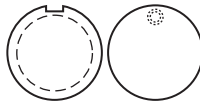
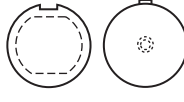


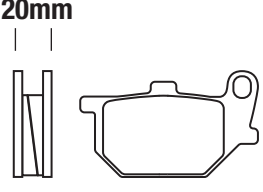

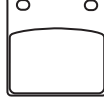


DO NOT REFIT ANY SHIMS/INSULATORS TO EBC PADS FROM ORIGINAL PADS UNLESS INSTRUCTED ON NOTE ON PAD PACKAGING AND ON FA DRAWING ASSOCIATED WITH THAT PAD.

<p>FA028 45 x 12/15.5mm</p>		<table border="1"> <thead> <tr> <th colspan="11">MATERIAL AVAILABILITY</th> </tr> <tr> <th>FA</th> <th>TT</th> <th>V</th> <th>R</th> <th>MXS</th> <th>HH</th> <th>EPFA</th> <th>GPFAX</th> <th>SFA</th> <th>SFAHH</th> <th>SFAC</th> <th>SXR</th> </tr> </thead> <tbody> <tr> <td>✓</td> <td></td> <td></td> <td></td> <td></td> <td></td> <td></td> <td></td> <td></td> <td></td> <td></td> <td></td> </tr> </tbody> </table> <p>YAMAHA</p>	MATERIAL AVAILABILITY											FA	TT	V	R	MXS	HH	EPFA	GPFAX	SFA	SFAHH	SFAC	SXR	✓											
MATERIAL AVAILABILITY																																					
FA	TT	V	R	MXS	HH	EPFA	GPFAX	SFA	SFAHH	SFAC	SXR																										
✓																																					
<p>FA029 66.5 x 48.5 x 11mm</p> <p>FA030 66.5 x 48.5 x 10mm</p> <p>FA031 66.5 x 48.5 x 9mm</p>		<table border="1"> <thead> <tr> <th colspan="11">MATERIAL AVAILABILITY</th> </tr> <tr> <th>FA</th> <th>TT</th> <th>V</th> <th>R</th> <th>MXS</th> <th>HH</th> <th>EPFA</th> <th>GPFAX</th> <th>SFA</th> <th>SFAHH</th> <th>SFAC</th> <th>SXR</th> </tr> </thead> <tbody> <tr> <td>✓</td> <td></td> <td>✓</td> <td></td> <td></td> <td></td> <td></td> <td></td> <td></td> <td></td> <td></td> <td></td> </tr> </tbody> </table> <p>FA29 - HONDA FA30 - HONDA FA31 - HONDA</p>	MATERIAL AVAILABILITY											FA	TT	V	R	MXS	HH	EPFA	GPFAX	SFA	SFAHH	SFAC	SXR	✓		✓									
MATERIAL AVAILABILITY																																					
FA	TT	V	R	MXS	HH	EPFA	GPFAX	SFA	SFAHH	SFAC	SXR																										
✓		✓																																			
<p>FA032 58 x 65.5 x 10mm</p>		<table border="1"> <thead> <tr> <th colspan="11">MATERIAL AVAILABILITY</th> </tr> <tr> <th>FA</th> <th>TT</th> <th>V</th> <th>R</th> <th>MXS</th> <th>HH</th> <th>EPFA</th> <th>GPFAX</th> <th>SFA</th> <th>SFAHH</th> <th>SFAC</th> <th>SXR</th> </tr> </thead> <tbody> <tr> <td>✓</td> <td></td> <td>✓</td> <td></td> <td></td> <td></td> <td></td> <td></td> <td></td> <td></td> <td></td> <td></td> </tr> </tbody> </table> <p>HONDA</p>	MATERIAL AVAILABILITY											FA	TT	V	R	MXS	HH	EPFA	GPFAX	SFA	SFAHH	SFAC	SXR	✓		✓									
MATERIAL AVAILABILITY																																					
FA	TT	V	R	MXS	HH	EPFA	GPFAX	SFA	SFAHH	SFAC	SXR																										
✓		✓																																			
<p>FA033 A. 51.5 x 12.5mm B. 50 x 11mm</p>	 <p style="text-align: center;">A B</p>	<table border="1"> <thead> <tr> <th colspan="11">MATERIAL AVAILABILITY</th> </tr> <tr> <th>FA</th> <th>TT</th> <th>V</th> <th>R</th> <th>MXS</th> <th>HH</th> <th>EPFA</th> <th>GPFAX</th> <th>SFA</th> <th>SFAHH</th> <th>SFAC</th> <th>SXR</th> </tr> </thead> <tbody> <tr> <td>✓</td> <td></td> <td></td> <td></td> <td></td> <td></td> <td></td> <td></td> <td></td> <td></td> <td></td> <td></td> </tr> </tbody> </table> <p>KAWASAKI</p>	MATERIAL AVAILABILITY											FA	TT	V	R	MXS	HH	EPFA	GPFAX	SFA	SFAHH	SFAC	SXR	✓											
MATERIAL AVAILABILITY																																					
FA	TT	V	R	MXS	HH	EPFA	GPFAX	SFA	SFAHH	SFAC	SXR																										
✓																																					
<p>FA034 67 x 49.5 x 11mm</p>		<table border="1"> <thead> <tr> <th colspan="11">MATERIAL AVAILABILITY</th> </tr> <tr> <th>FA</th> <th>TT</th> <th>V</th> <th>R</th> <th>MXS</th> <th>HH</th> <th>EPFA</th> <th>GPFAX</th> <th>SFA</th> <th>SFAHH</th> <th>SFAC</th> <th>SXR</th> </tr> </thead> <tbody> <tr> <td>✓</td> <td></td> <td>✓</td> <td></td> <td></td> <td></td> <td></td> <td></td> <td></td> <td></td> <td></td> <td></td> </tr> </tbody> </table> <p>YAMAHA</p>	MATERIAL AVAILABILITY											FA	TT	V	R	MXS	HH	EPFA	GPFAX	SFA	SFAHH	SFAC	SXR	✓		✓									
MATERIAL AVAILABILITY																																					
FA	TT	V	R	MXS	HH	EPFA	GPFAX	SFA	SFAHH	SFAC	SXR																										
✓		✓																																			
<p>FA035 A. 50 x 10.5mm B. 50 x 11mm</p>	 <p style="text-align: center;">A B</p>	<table border="1"> <thead> <tr> <th colspan="11">MATERIAL AVAILABILITY</th> </tr> <tr> <th>FA</th> <th>TT</th> <th>V</th> <th>R</th> <th>MXS</th> <th>HH</th> <th>EPFA</th> <th>GPFAX</th> <th>SFA</th> <th>SFAHH</th> <th>SFAC</th> <th>SXR</th> </tr> </thead> <tbody> <tr> <td>✓</td> <td></td> <td></td> <td></td> <td></td> <td></td> <td></td> <td></td> <td></td> <td></td> <td></td> <td></td> </tr> </tbody> </table> <p>SUZUKI</p>	MATERIAL AVAILABILITY											FA	TT	V	R	MXS	HH	EPFA	GPFAX	SFA	SFAHH	SFAC	SXR	✓											
MATERIAL AVAILABILITY																																					
FA	TT	V	R	MXS	HH	EPFA	GPFAX	SFA	SFAHH	SFAC	SXR																										
✓																																					
<p>FA036 58 x 54 x 9mm</p>		<table border="1"> <thead> <tr> <th colspan="11">MATERIAL AVAILABILITY</th> </tr> <tr> <th>FA</th> <th>TT</th> <th>V</th> <th>R</th> <th>MXS</th> <th>HH</th> <th>EPFA</th> <th>GPFAX</th> <th>SFA</th> <th>SFAHH</th> <th>SFAC</th> <th>SXR</th> </tr> </thead> <tbody> <tr> <td>✓</td> <td></td> <td>✓</td> <td></td> <td></td> <td></td> <td></td> <td></td> <td></td> <td></td> <td></td> <td></td> </tr> </tbody> </table> <p>GMA AFTERMARKET CALIPER, KAWASAKI, SUZUKI</p>	MATERIAL AVAILABILITY											FA	TT	V	R	MXS	HH	EPFA	GPFAX	SFA	SFAHH	SFAC	SXR	✓		✓									
MATERIAL AVAILABILITY																																					
FA	TT	V	R	MXS	HH	EPFA	GPFAX	SFA	SFAHH	SFAC	SXR																										
✓		✓																																			
<p>FA037 A. 51 x 12.5mm B. 50 x 12.5mm</p>	 <p style="text-align: center;">A B</p>	<table border="1"> <thead> <tr> <th colspan="11">MATERIAL AVAILABILITY</th> </tr> <tr> <th>FA</th> <th>TT</th> <th>V</th> <th>R</th> <th>MXS</th> <th>HH</th> <th>EPFA</th> <th>GPFAX</th> <th>SFA</th> <th>SFAHH</th> <th>SFAC</th> <th>SXR</th> </tr> </thead> <tbody> <tr> <td>✓</td> <td></td> <td></td> <td></td> <td></td> <td></td> <td></td> <td></td> <td></td> <td></td> <td></td> <td></td> </tr> </tbody> </table> <p>KAWASAKI</p>	MATERIAL AVAILABILITY											FA	TT	V	R	MXS	HH	EPFA	GPFAX	SFA	SFAHH	SFAC	SXR	✓											
MATERIAL AVAILABILITY																																					
FA	TT	V	R	MXS	HH	EPFA	GPFAX	SFA	SFAHH	SFAC	SXR																										
✓																																					
<p>FA038 50 x 10.5mm</p>	 <p style="text-align: center;">A B</p>	<table border="1"> <thead> <tr> <th colspan="11">MATERIAL AVAILABILITY</th> </tr> <tr> <th>FA</th> <th>TT</th> <th>V</th> <th>R</th> <th>MXS</th> <th>HH</th> <th>EPFA</th> <th>GPFAX</th> <th>SFA</th> <th>SFAHH</th> <th>SFAC</th> <th>SXR</th> </tr> </thead> <tbody> <tr> <td>✓</td> <td></td> <td>✓</td> <td></td> <td></td> <td></td> <td></td> <td></td> <td></td> <td></td> <td></td> <td></td> </tr> </tbody> </table> <p>SUZUKI</p>	MATERIAL AVAILABILITY											FA	TT	V	R	MXS	HH	EPFA	GPFAX	SFA	SFAHH	SFAC	SXR	✓		✓									
MATERIAL AVAILABILITY																																					
FA	TT	V	R	MXS	HH	EPFA	GPFAX	SFA	SFAHH	SFAC	SXR																										
✓		✓																																			
<p>FA039 44 x 9/12.5mm</p>	 <p style="text-align: center;">A B</p>	<table border="1"> <thead> <tr> <th colspan="11">MATERIAL AVAILABILITY</th> </tr> <tr> <th>FA</th> <th>TT</th> <th>V</th> <th>R</th> <th>MXS</th> <th>HH</th> <th>EPFA</th> <th>GPFAX</th> <th>SFA</th> <th>SFAHH</th> <th>SFAC</th> <th>SXR</th> </tr> </thead> <tbody> <tr> <td>✓</td> <td></td> <td></td> <td></td> <td></td> <td></td> <td></td> <td></td> <td></td> <td></td> <td></td> <td></td> </tr> </tbody> </table> <p>KAWASAKI, SUZUKI</p>	MATERIAL AVAILABILITY											FA	TT	V	R	MXS	HH	EPFA	GPFAX	SFA	SFAHH	SFAC	SXR	✓											
MATERIAL AVAILABILITY																																					
FA	TT	V	R	MXS	HH	EPFA	GPFAX	SFA	SFAHH	SFAC	SXR																										
✓																																					
<p>FA040 A 40 x 20.5mm B 40 x 11mm</p>		<table border="1"> <thead> <tr> <th colspan="11">MATERIAL AVAILABILITY</th> </tr> <tr> <th>FA</th> <th>TT</th> <th>V</th> <th>R</th> <th>MXS</th> <th>HH</th> <th>EPFA</th> <th>GPFAX</th> <th>SFA</th> <th>SFAHH</th> <th>SFAC</th> <th>SXR</th> </tr> </thead> <tbody> <tr> <td>✓</td> <td></td> <td></td> <td></td> <td></td> <td></td> <td></td> <td></td> <td></td> <td></td> <td></td> <td></td> </tr> </tbody> </table> <p>HONDA, POLARIS</p>	MATERIAL AVAILABILITY											FA	TT	V	R	MXS	HH	EPFA	GPFAX	SFA	SFAHH	SFAC	SXR	✓											
MATERIAL AVAILABILITY																																					
FA	TT	V	R	MXS	HH	EPFA	GPFAX	SFA	SFAHH	SFAC	SXR																										
✓																																					

DO NOT REFIT ANY SHIMS/INSULATORS TO EBC PADS FROM ORIGINAL PADS UNLESS INSTRUCTED ON NOTE ON PAD PACKAGING AND ON FA DRAWING ASSOCIATED WITH THAT PAD.

<p>FA041 94 x 56.5 x 20mm</p>	<p>20mm</p> 	<table border="1"> <thead> <tr> <th colspan="12">MATERIAL AVAILABILITY</th> </tr> <tr> <th>FA</th> <th>TT</th> <th>V</th> <th>R</th> <th>MXS</th> <th>HH</th> <th>EPFA</th> <th>GPFAX</th> <th>SFA</th> <th>SFAHH</th> <th>SFAC</th> <th>SXR</th> </tr> </thead> <tbody> <tr> <td>✓</td> <td></td> <td>✓</td> <td></td> <td></td> <td></td> <td></td> <td></td> <td></td> <td></td> <td></td> <td></td> </tr> </tbody> </table> <p>YAMAHA</p>	MATERIAL AVAILABILITY												FA	TT	V	R	MXS	HH	EPFA	GPFAX	SFA	SFAHH	SFAC	SXR	✓		✓																																																																																	
MATERIAL AVAILABILITY																																																																																																														
FA	TT	V	R	MXS	HH	EPFA	GPFAX	SFA	SFAHH	SFAC	SXR																																																																																																			
✓		✓																																																																																																												
<p>FA042 44 x 43 x 10/15.5</p>		<table border="1"> <thead> <tr> <th colspan="12">MATERIAL AVAILABILITY</th> </tr> <tr> <th>FA</th> <th>TT</th> <th>V</th> <th>R</th> <th>MXS</th> <th>HH</th> <th>EPFA</th> <th>GPFAX</th> <th>SFA</th> <th>SFAHH</th> <th>SFAC</th> <th>SXR</th> </tr> </thead> <tbody> <tr> <td>✓</td> <td></td> <td></td> <td></td> <td></td> <td></td> <td></td> <td></td> <td></td> <td></td> <td></td> <td></td> </tr> </tbody> </table> <p>YAMAHA</p>	MATERIAL AVAILABILITY												FA	TT	V	R	MXS	HH	EPFA	GPFAX	SFA	SFAHH	SFAC	SXR	✓																																																																																			
MATERIAL AVAILABILITY																																																																																																														
FA	TT	V	R	MXS	HH	EPFA	GPFAX	SFA	SFAHH	SFAC	SXR																																																																																																			
✓																																																																																																														
<p>FA045 52.5 x 53 x 11.5mm</p>		<table border="1"> <thead> <tr> <th colspan="12">MATERIAL AVAILABILITY</th> </tr> <tr> <th>FA</th> <th>TT</th> <th>V</th> <th>R</th> <th>MXS</th> <th>HH</th> <th>EPFA</th> <th>GPFAX</th> <th>SFA</th> <th>SFAHH</th> <th>SFAC</th> <th>SXR</th> </tr> </thead> <tbody> <tr> <td>✓</td> <td></td> <td>✓</td> <td></td> <td></td> <td></td> <td></td> <td></td> <td></td> <td></td> <td></td> <td></td> </tr> </tbody> </table> <p>HONDA</p>	MATERIAL AVAILABILITY												FA	TT	V	R	MXS	HH	EPFA	GPFAX	SFA	SFAHH	SFAC	SXR	✓		✓																																																																																	
MATERIAL AVAILABILITY																																																																																																														
FA	TT	V	R	MXS	HH	EPFA	GPFAX	SFA	SFAHH	SFAC	SXR																																																																																																			
✓		✓																																																																																																												
<p>FA046 44 x 11.5/13mm</p>	 <p>A B</p>	<table border="1"> <thead> <tr> <th colspan="12">MATERIAL AVAILABILITY</th> </tr> <tr> <th>FA</th> <th>TT</th> <th>V</th> <th>R</th> <th>MXS</th> <th>HH</th> <th>EPFA</th> <th>GPFAX</th> <th>SFA</th> <th>SFAHH</th> <th>SFAC</th> <th>SXR</th> </tr> </thead> <tbody> <tr> <td>✓</td> <td></td> <td></td> <td></td> <td></td> <td></td> <td></td> <td></td> <td></td> <td></td> <td></td> <td></td> </tr> </tbody> </table> <p>SUZUKI</p>	MATERIAL AVAILABILITY												FA	TT	V	R	MXS	HH	EPFA	GPFAX	SFA	SFAHH	SFAC	SXR	✓																																																																																			
MATERIAL AVAILABILITY																																																																																																														
FA	TT	V	R	MXS	HH	EPFA	GPFAX	SFA	SFAHH	SFAC	SXR																																																																																																			
✓																																																																																																														
<p>FA047 40 x 50.5 x 7mm FA047/2 40 x 50.5 x 5.5mm FA047/3 40 x 50.5 x 9.5mm</p>		<table border="1"> <thead> <tr> <th colspan="12">MATERIAL AVAILABILITY - FA047</th> </tr> <tr> <th>FA</th> <th>TT</th> <th>V</th> <th>R</th> <th>MXS</th> <th>HH</th> <th>EPFA</th> <th>GPFAX</th> <th>SFA</th> <th>SFAHH</th> <th>SFAC</th> <th>SXR</th> </tr> </thead> <tbody> <tr> <td>✓</td> <td>✓</td> <td>✓</td> <td></td> <td></td> <td>✓</td> <td></td> <td></td> <td>✓</td> <td>✓</td> <td></td> <td></td> </tr> </tbody> </table> <table border="1"> <thead> <tr> <th colspan="12">MATERIAL AVAILABILITY - FA047/2</th> </tr> <tr> <th>FA</th> <th>TT</th> <th>V</th> <th>R</th> <th>MXS</th> <th>HH</th> <th>EPFA</th> <th>GPFAX</th> <th>SFA</th> <th>SFAHH</th> <th>SFAC</th> <th>SXR</th> </tr> </thead> <tbody> <tr> <td>✓</td> <td></td> <td></td> <td></td> <td></td> <td></td> <td></td> <td></td> <td></td> <td></td> <td></td> <td></td> </tr> </tbody> </table> <table border="1"> <thead> <tr> <th colspan="12">MATERIAL AVAILABILITY - FA047/3</th> </tr> <tr> <th>FA</th> <th>TT</th> <th>V</th> <th>R</th> <th>MXS</th> <th>HH</th> <th>EPFA</th> <th>GPFAX</th> <th>SFA</th> <th>SFAHH</th> <th>SFAC</th> <th>SXR</th> </tr> </thead> <tbody> <tr> <td>✓</td> <td></td> <td></td> <td></td> <td></td> <td></td> <td></td> <td></td> <td></td> <td></td> <td></td> <td></td> </tr> </tbody> </table> <p>FA047 - ACCOSSATO, AGRALE, ALFER, APRILIA, ARCH MOTORCYCLE, ATK, BERINGER AFTERMARKET CALIPER, BETA, BENELLI, BEHRINGER, BETA, BIMOTA, BAOTIAN, BREMBO AFTERMARKET CALIPER, CAGIVA, DERBI, DUCATI, FANTIC, GILERA, HARRISON BILLET, HRD, HONDA HM ITALY, HP POWER, HYOSUNG, HUSQVARNA, INDIAN, IRON PEGASUS, ISR AFTERMARKET CALIPER, KEEWAY, KTM, LAVERDA, MAICO, MALAGUTI, MALANCA, MONTESSA, MOTO GUZZI, MOTO MORINI, MZ/MUZ, PRO ONE, TM, VOXAN, YAMAHA SFA047 ONLY - BETA, MALAGUTI FA047/2 - GARELLI, GILERA, KTM FA047/3 - HONDA</p>	MATERIAL AVAILABILITY - FA047												FA	TT	V	R	MXS	HH	EPFA	GPFAX	SFA	SFAHH	SFAC	SXR	✓	✓	✓			✓			✓	✓			MATERIAL AVAILABILITY - FA047/2												FA	TT	V	R	MXS	HH	EPFA	GPFAX	SFA	SFAHH	SFAC	SXR	✓												MATERIAL AVAILABILITY - FA047/3												FA	TT	V	R	MXS	HH	EPFA	GPFAX	SFA	SFAHH	SFAC	SXR	✓											
MATERIAL AVAILABILITY - FA047																																																																																																														
FA	TT	V	R	MXS	HH	EPFA	GPFAX	SFA	SFAHH	SFAC	SXR																																																																																																			
✓	✓	✓			✓			✓	✓																																																																																																					
MATERIAL AVAILABILITY - FA047/2																																																																																																														
FA	TT	V	R	MXS	HH	EPFA	GPFAX	SFA	SFAHH	SFAC	SXR																																																																																																			
✓																																																																																																														
MATERIAL AVAILABILITY - FA047/3																																																																																																														
FA	TT	V	R	MXS	HH	EPFA	GPFAX	SFA	SFAHH	SFAC	SXR																																																																																																			
✓																																																																																																														
<p>FA048 44 x 46 x 16/10mm</p>		<table border="1"> <thead> <tr> <th colspan="12">MATERIAL AVAILABILITY</th> </tr> <tr> <th>FA</th> <th>TT</th> <th>V</th> <th>R</th> <th>MXS</th> <th>HH</th> <th>EPFA</th> <th>GPFAX</th> <th>SFA</th> <th>SFAHH</th> <th>SFAC</th> <th>SXR</th> </tr> </thead> <tbody> <tr> <td>✓</td> <td></td> <td></td> <td></td> <td></td> <td></td> <td></td> <td></td> <td></td> <td></td> <td></td> <td></td> </tr> </tbody> </table> <p>KAWASAKI</p>	MATERIAL AVAILABILITY												FA	TT	V	R	MXS	HH	EPFA	GPFAX	SFA	SFAHH	SFAC	SXR	✓																																																																																			
MATERIAL AVAILABILITY																																																																																																														
FA	TT	V	R	MXS	HH	EPFA	GPFAX	SFA	SFAHH	SFAC	SXR																																																																																																			
✓																																																																																																														
<p>FA050 31.5 x 49 x 5.5mm</p>		<table border="1"> <thead> <tr> <th colspan="12">MATERIAL AVAILABILITY</th> </tr> <tr> <th>FA</th> <th>TT</th> <th>V</th> <th>R</th> <th>MXS</th> <th>HH</th> <th>EPFA</th> <th>GPFAX</th> <th>SFA</th> <th>SFAHH</th> <th>SFAC</th> <th>SXR</th> </tr> </thead> <tbody> <tr> <td>✓</td> <td></td> <td></td> <td></td> <td></td> <td></td> <td></td> <td></td> <td></td> <td></td> <td></td> <td></td> </tr> </tbody> </table> <p>CASAL, CIMATTI, FANTIC, HERCULES SACHS, HOREX, MALAGUTI, MALANCA, PUCHS</p>	MATERIAL AVAILABILITY												FA	TT	V	R	MXS	HH	EPFA	GPFAX	SFA	SFAHH	SFAC	SXR	✓																																																																																			
MATERIAL AVAILABILITY																																																																																																														
FA	TT	V	R	MXS	HH	EPFA	GPFAX	SFA	SFAHH	SFAC	SXR																																																																																																			
✓																																																																																																														
<p>FA051 76 x 49.5 x 11.5mm</p>		<table border="1"> <thead> <tr> <th colspan="12">MATERIAL AVAILABILITY</th> </tr> <tr> <th>FA</th> <th>TT</th> <th>V</th> <th>R</th> <th>MXS</th> <th>HH</th> <th>EPFA</th> <th>GPFAX</th> <th>SFA</th> <th>SFAHH</th> <th>SFAC</th> <th>SXR</th> </tr> </thead> <tbody> <tr> <td>✓</td> <td></td> <td>✓</td> <td></td> <td></td> <td></td> <td></td> <td></td> <td></td> <td></td> <td></td> <td></td> </tr> </tbody> </table> <p>SUZUKI</p>	MATERIAL AVAILABILITY												FA	TT	V	R	MXS	HH	EPFA	GPFAX	SFA	SFAHH	SFAC	SXR	✓		✓																																																																																	
MATERIAL AVAILABILITY																																																																																																														
FA	TT	V	R	MXS	HH	EPFA	GPFAX	SFA	SFAHH	SFAC	SXR																																																																																																			
✓		✓																																																																																																												
<p>FA052 41 x 21/11mm</p>		<table border="1"> <thead> <tr> <th colspan="12">MATERIAL AVAILABILITY</th> </tr> <tr> <th>FA</th> <th>TT</th> <th>V</th> <th>R</th> <th>MXS</th> <th>HH</th> <th>EPFA</th> <th>GPFAX</th> <th>SFA</th> <th>SFAHH</th> <th>SFAC</th> <th>SXR</th> </tr> </thead> <tbody> <tr> <td>✓</td> <td></td> <td></td> <td></td> <td></td> <td></td> <td></td> <td></td> <td></td> <td></td> <td></td> <td></td> </tr> </tbody> </table> <p>HONDA</p>	MATERIAL AVAILABILITY												FA	TT	V	R	MXS	HH	EPFA	GPFAX	SFA	SFAHH	SFAC	SXR	✓																																																																																			
MATERIAL AVAILABILITY																																																																																																														
FA	TT	V	R	MXS	HH	EPFA	GPFAX	SFA	SFAHH	SFAC	SXR																																																																																																			
✓																																																																																																														

DO NOT REFIT ANY SHIMS/INSULATORS TO EBC PADS FROM ORIGINAL PADS UNLESS INSTRUCTED ON NOTE ON PAD PACKAGING AND ON FA DRAWING ASSOCIATED WITH THAT PAD.

<p>FA054 41 x 45 x 8mm</p> 	<table border="1"> <thead> <tr> <th colspan="12">MATERIAL AVAILABILITY</th> </tr> <tr> <th>FA</th> <th>TT</th> <th>V</th> <th>R</th> <th>MXS</th> <th>HH</th> <th>EPFA</th> <th>GPFAX</th> <th>SFA</th> <th>SFAHH</th> <th>SFAC</th> <th>SXR</th> </tr> </thead> <tbody> <tr> <td></td> <td>✓</td> <td></td> <td>✓</td> <td>✓</td> <td>✓</td> <td></td> <td></td> <td>✓</td> <td>✓</td> <td>✓</td> <td></td> </tr> </tbody> </table> <p>AJS, ASPES, CCM, DAELIM, GARELLI, HONDA, HYOSUNG, JIALING, KAWASAKI, KEEWAY, KREIDLER, LEXMOTO, MASH, MUTT, PEUGEOT, PGO, PIZZA PEDS, POLARIS, QUADZILLA, SACHS, SINNIS, SUPERBYKE, SUZUKI, SYM, TAISHAN, YAMAHA</p>	MATERIAL AVAILABILITY												FA	TT	V	R	MXS	HH	EPFA	GPFAX	SFA	SFAHH	SFAC	SXR		✓		✓	✓	✓			✓	✓	✓	
MATERIAL AVAILABILITY																																					
FA	TT	V	R	MXS	HH	EPFA	GPFAX	SFA	SFAHH	SFAC	SXR																										
	✓		✓	✓	✓			✓	✓	✓																											
<p>FA055 50 x 10/12.5mm</p> 	<table border="1"> <thead> <tr> <th colspan="12">MATERIAL AVAILABILITY</th> </tr> <tr> <th>FA</th> <th>TT</th> <th>V</th> <th>R</th> <th>MXS</th> <th>HH</th> <th>EPFA</th> <th>GPFAX</th> <th>SFA</th> <th>SFAHH</th> <th>SFAC</th> <th>SXR</th> </tr> </thead> <tbody> <tr> <td>✓</td> <td></td> <td></td> <td></td> <td></td> <td></td> <td></td> <td></td> <td></td> <td></td> <td></td> <td></td> </tr> </tbody> </table> <p>KAWASAKI, SUZUKI</p>	MATERIAL AVAILABILITY												FA	TT	V	R	MXS	HH	EPFA	GPFAX	SFA	SFAHH	SFAC	SXR	✓											
MATERIAL AVAILABILITY																																					
FA	TT	V	R	MXS	HH	EPFA	GPFAX	SFA	SFAHH	SFAC	SXR																										
✓																																					
<p>FA056 44/45 x 10/8.5mm</p> 	<table border="1"> <thead> <tr> <th colspan="12">MATERIAL AVAILABILITY</th> </tr> <tr> <th>FA</th> <th>TT</th> <th>V</th> <th>R</th> <th>MXS</th> <th>HH</th> <th>EPFA</th> <th>GPFAX</th> <th>SFA</th> <th>SFAHH</th> <th>SFAC</th> <th>SXR</th> </tr> </thead> <tbody> <tr> <td>✓</td> <td></td> <td></td> <td></td> <td></td> <td></td> <td></td> <td></td> <td></td> <td></td> <td></td> <td></td> </tr> </tbody> </table> <p>SUZUKI, HYOSUNG, KREIDLER, LIFAN, MOTO ROMA, SUPERBYKE</p>	MATERIAL AVAILABILITY												FA	TT	V	R	MXS	HH	EPFA	GPFAX	SFA	SFAHH	SFAC	SXR	✓											
MATERIAL AVAILABILITY																																					
FA	TT	V	R	MXS	HH	EPFA	GPFAX	SFA	SFAHH	SFAC	SXR																										
✓																																					
<p>FA057 55 x 53 x 9mm</p> 	<table border="1"> <thead> <tr> <th colspan="12">MATERIAL AVAILABILITY</th> </tr> <tr> <th>FA</th> <th>TT</th> <th>V</th> <th>R</th> <th>MXS</th> <th>HH</th> <th>EPFA</th> <th>GPFAX</th> <th>SFA</th> <th>SFAHH</th> <th>SFAC</th> <th>SXR</th> </tr> </thead> <tbody> <tr> <td>✓</td> <td></td> <td>✓</td> <td></td> <td></td> <td></td> <td></td> <td></td> <td></td> <td></td> <td></td> <td></td> </tr> </tbody> </table> <p>BMW</p>	MATERIAL AVAILABILITY												FA	TT	V	R	MXS	HH	EPFA	GPFAX	SFA	SFAHH	SFAC	SXR	✓		✓									
MATERIAL AVAILABILITY																																					
FA	TT	V	R	MXS	HH	EPFA	GPFAX	SFA	SFAHH	SFAC	SXR																										
✓		✓																																			
<p>FA060 36.5 x 52 x 6mm</p> 	<table border="1"> <thead> <tr> <th colspan="12">MATERIAL AVAILABILITY</th> </tr> <tr> <th>FA</th> <th>TT</th> <th>V</th> <th>R</th> <th>MXS</th> <th>HH</th> <th>EPFA</th> <th>GPFAX</th> <th>SFA</th> <th>SFAHH</th> <th>SFAC</th> <th>SXR</th> </tr> </thead> <tbody> <tr> <td>✓</td> <td></td> <td></td> <td></td> <td></td> <td></td> <td></td> <td></td> <td></td> <td></td> <td></td> <td></td> </tr> </tbody> </table> <p>APRILIA, KEEWAY, MOTO GUZZI, CAGIVA, FANTIC, GARELLI, GENERIC/KSR, GILERA, LAVERDA, MALAGUTI, MALANCA</p>	MATERIAL AVAILABILITY												FA	TT	V	R	MXS	HH	EPFA	GPFAX	SFA	SFAHH	SFAC	SXR	✓											
MATERIAL AVAILABILITY																																					
FA	TT	V	R	MXS	HH	EPFA	GPFAX	SFA	SFAHH	SFAC	SXR																										
✓																																					
<p>FA061 94 x 56.5 x 20mm</p> <p>20mm</p> 	<table border="1"> <thead> <tr> <th colspan="12">MATERIAL AVAILABILITY</th> </tr> <tr> <th>FA</th> <th>TT</th> <th>V</th> <th>R</th> <th>MXS</th> <th>HH</th> <th>EPFA</th> <th>GPFAX</th> <th>SFA</th> <th>SFAHH</th> <th>SFAC</th> <th>SXR</th> </tr> </thead> <tbody> <tr> <td>✓</td> <td></td> <td>✓</td> <td></td> <td></td> <td></td> <td></td> <td></td> <td></td> <td></td> <td></td> <td></td> </tr> </tbody> </table> <p>YAMAHA</p>	MATERIAL AVAILABILITY												FA	TT	V	R	MXS	HH	EPFA	GPFAX	SFA	SFAHH	SFAC	SXR	✓		✓									
MATERIAL AVAILABILITY																																					
FA	TT	V	R	MXS	HH	EPFA	GPFAX	SFA	SFAHH	SFAC	SXR																										
✓		✓																																			
<p>FA062 51 x 10.5mm</p> 	<table border="1"> <thead> <tr> <th colspan="12">MATERIAL AVAILABILITY</th> </tr> <tr> <th>FA</th> <th>TT</th> <th>V</th> <th>R</th> <th>MXS</th> <th>HH</th> <th>EPFA</th> <th>GPFAX</th> <th>SFA</th> <th>SFAHH</th> <th>SFAC</th> <th>SXR</th> </tr> </thead> <tbody> <tr> <td>✓</td> <td></td> <td></td> <td></td> <td></td> <td></td> <td></td> <td></td> <td></td> <td></td> <td></td> <td></td> </tr> </tbody> </table> <p>KAWASAKI</p>	MATERIAL AVAILABILITY												FA	TT	V	R	MXS	HH	EPFA	GPFAX	SFA	SFAHH	SFAC	SXR	✓											
MATERIAL AVAILABILITY																																					
FA	TT	V	R	MXS	HH	EPFA	GPFAX	SFA	SFAHH	SFAC	SXR																										
✓																																					
<p>FA063 52.5 x 52.5 x 9mm</p> 	<table border="1"> <thead> <tr> <th colspan="12">MATERIAL AVAILABILITY</th> </tr> <tr> <th>FA</th> <th>TT</th> <th>V</th> <th>R</th> <th>MXS</th> <th>HH</th> <th>EPFA</th> <th>GPFAX</th> <th>SFA</th> <th>SFAHH</th> <th>SFAC</th> <th>SXR</th> </tr> </thead> <tbody> <tr> <td>✓</td> <td></td> <td>✓</td> <td></td> <td></td> <td>✓</td> <td></td> <td></td> <td></td> <td></td> <td></td> <td></td> </tr> </tbody> </table> <p>HYOSUNG, MAGNI, SUZUKI</p>	MATERIAL AVAILABILITY												FA	TT	V	R	MXS	HH	EPFA	GPFAX	SFA	SFAHH	SFAC	SXR	✓		✓			✓						
MATERIAL AVAILABILITY																																					
FA	TT	V	R	MXS	HH	EPFA	GPFAX	SFA	SFAHH	SFAC	SXR																										
✓		✓			✓																																
<p>FA064 65.5 x 59 x 10mm</p> 	<table border="1"> <thead> <tr> <th colspan="12">MATERIAL AVAILABILITY</th> </tr> <tr> <th>FA</th> <th>TT</th> <th>V</th> <th>R</th> <th>MXS</th> <th>HH</th> <th>EPFA</th> <th>GPFAX</th> <th>SFA</th> <th>SFAHH</th> <th>SFAC</th> <th>SXR</th> </tr> </thead> <tbody> <tr> <td>✓</td> <td></td> <td></td> <td></td> <td></td> <td></td> <td></td> <td></td> <td></td> <td></td> <td></td> <td></td> </tr> </tbody> </table> <p>YAMAHA</p>	MATERIAL AVAILABILITY												FA	TT	V	R	MXS	HH	EPFA	GPFAX	SFA	SFAHH	SFAC	SXR	✓											
MATERIAL AVAILABILITY																																					
FA	TT	V	R	MXS	HH	EPFA	GPFAX	SFA	SFAHH	SFAC	SXR																										
✓																																					
<p>FA065 72 x 45 x 11.5mm</p> 	<table border="1"> <thead> <tr> <th colspan="12">MATERIAL AVAILABILITY</th> </tr> <tr> <th>FA</th> <th>TT</th> <th>V</th> <th>R</th> <th>MXS</th> <th>HH</th> <th>EPFA</th> <th>GPFAX</th> <th>SFA</th> <th>SFAHH</th> <th>SFAC</th> <th>SXR</th> </tr> </thead> <tbody> <tr> <td>✓</td> <td></td> <td>✓</td> <td></td> <td></td> <td></td> <td></td> <td></td> <td></td> <td></td> <td></td> <td></td> </tr> </tbody> </table> <p>SUZUKI</p>	MATERIAL AVAILABILITY												FA	TT	V	R	MXS	HH	EPFA	GPFAX	SFA	SFAHH	SFAC	SXR	✓		✓									
MATERIAL AVAILABILITY																																					
FA	TT	V	R	MXS	HH	EPFA	GPFAX	SFA	SFAHH	SFAC	SXR																										
✓		✓																																			

DO NOT REFIT ANY SHIMS/INSULATORS TO EBC PADS FROM ORIGINAL PADS UNLESS INSTRUCTED ON NOTE ON PAD PACKAGING AND ON FA DRAWING ASSOCIATED WITH THAT PAD.

FA067

A 55.5 x 37 x 10mm

B 85 x 42.5 x 8mm



FA067/2

A 55.5 x 37 x 8.5mm

B 85 x 42.5 x 6mm



FA067/3

A 55.5 x 37 x 10mm

B 85 x 42.5 x 7mm

MATERIAL AVAILABILITY - FA067

FA	TT	V	R	MXS	HH	EPFA	GPFAX	SFA	SFAHH	SFAC	SXR
✓	✓		✓		✓			✓	✓	✓	

MATERIAL AVAILABILITY - FA067/2

✓											
---	--	--	--	--	--	--	--	--	--	--	--

MATERIAL AVAILABILITY - FA067/3

✓											
---	--	--	--	--	--	--	--	--	--	--	--

FA067 - AEON, ALFER, APACHE, APRILIA, BAROSSA, CAGIVA, CECTEK, C F MOTO, DERBI, DINLI, EXPLORER, GOES, GOGORO E SCOOTER, HUSABERG, KAWASAKI, KTM, KYMCO, LINHAI, MAICO, OSSA, PEUGEOT, PHB, POLARIS ATV, QUADZILLA inc. White Knuckle Models, SUZUKI, SYM, TGB, VECTRIX, YAMAHA

FA067/2 - FANTIC, MALAGUTI, SACHS HERCULES Also see SFM section

FA067/3 - KAWASAKI, KRAM-IT KRAMER

FA068

68 x 40.5 x 9.5mm



MATERIAL AVAILABILITY

FA	TT	V	R	MXS	HH	EPFA	GPFAX	SFA	SFAHH	SFAC	SXR
✓		✓			✓						

KAWASAKI

FA069

89.5 x 48.5 x 10mm

FA069/2

89.5 x 48.5 x 9mm

FA069/3

89.5 x 48.5 x 11.5mm



MATERIAL AVAILABILITY - FA069

FA	TT	V	R	MXS	HH	EPFA	GPFAX	SFA	SFAHH	SFAC	SXR
✓		✓			✓						

MATERIAL AVAILABILITY - FA069/2

✓		✓									
---	--	---	--	--	--	--	--	--	--	--	--

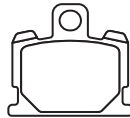
MATERIAL AVAILABILITY - FA069/3

✓		✓			✓						
---	--	---	--	--	---	--	--	--	--	--	--

HONDA

FA070

65.5 x 59 x 10mm



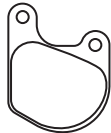
MATERIAL AVAILABILITY

FA	TT	V	R	MXS	HH	EPFA	GPFAX	SFA	SFAHH	SFAC	SXR
✓		✓									

YAMAHA

FA071

53.5 x 68.5 x 6.5mm



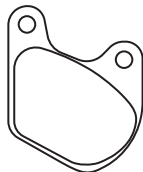
MATERIAL AVAILABILITY

FA	TT	V	R	MXS	HH	EPFA	GPFAX	SFA	SFAHH	SFAC	SXR
✓		✓									

HARLEY DAVIDSON

FA072

71 x 89 x 6.5mm



MATERIAL AVAILABILITY

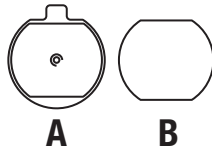
FA	TT	V	R	MXS	HH	EPFA	GPFAX	SFA	SFAHH	SFAC	SXR
✓		✓									

HARLEY DAVIDSON

FA073

A 51 x 12mm

B 50 x 11mm



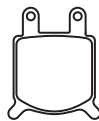
MATERIAL AVAILABILITY

FA	TT	V	R	MXS	HH	EPFA	GPFAX	SFA	SFAHH	SFAC	SXR
✓											

KAWASAKI

FA076

43.5 x 58 x 7mm



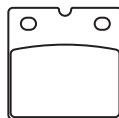
MATERIAL AVAILABILITY

FA	TT	V	R	MXS	HH	EPFA	GPFAX	SFA	SFAHH	SFAC	SXR
✓		✓			✓						

ASPES, GARELLI, GILERA, GMA AFTERMARKET CALIPER, JAYBRAKE AFTERMARKET CALIPER, KREIDLER, LAVERDA, MOTO MORINI, NVT

FA077

60 x 59 x 9mm



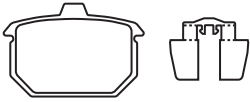
MATERIAL AVAILABILITY

FA	TT	V	R	MXS	HH	EPFA	GPFAX	SFA	SFAHH	SFAC	SXR
✓		✓									

BENELLI, BMW, LAVERDA, MOTO GUZZI

DO NOT REFIT ANY SHIMS/INSULATORS TO EBC PADS FROM ORIGINAL PADS UNLESS INSTRUCTED ON NOTE ON PAD PACKAGING AND ON FA DRAWING ASSOCIATED WITH THAT PAD.

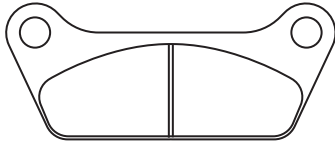
FA078
74.5 x 49 x 12mm



MATERIAL AVAILABILITY											
FA	TT	V	R	MXS	HH	EPFA	GPFAX	SFA	SFAHH	SFAC	SXR
✓		✓			✓						

HARLEY DAVIDSON

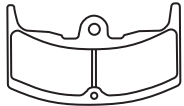
FA079
174.5 x 72.5 x 10mm



MATERIAL AVAILABILITY											
FA	TT	V	R	MXS	HH	EPFA	GPFAX	SFA	SFAHH	SFAC	SXR
✓		✓									

HARLEY DAVIDSON


FA080
92 x 53.5 x 8mm
FA080/2
92 x 53.5 x 9.5mm



MATERIAL AVAILABILITY											
FA	TT	V	R	MXS	HH	EPFA	GPFAX	SFA	SFAHH	SFAC	SXR
✓											

HONDA



FA081
68 x 58.5 x 10.5mm



MATERIAL AVAILABILITY											
FA	TT	V	R	MXS	HH	EPFA	GPFAX	SFA	SFAHH	SFAC	SXR
✓		✓									

YAMAHA

FA083
A 47.5 x 37 x 9mm
B 85.5 x 42.5 x 7mm
FA083/2
A 47.5 x 37 x 10mm
B 85.5 x 42.5 x 8mm

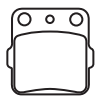



MATERIAL AVAILABILITY											
FA	TT	V	R	MXS	HH	EPFA	GPFAX	SFA	SFAHH	SFAC	SXR
	✓		✓		✓			✓	✓	✓	

MATERIAL AVAILABILITY											
FA	TT	V	R	MXS	HH	EPFA	GPFAX	SFA	SFAHH	SFAC	SXR
	✓							✓	✓		

FA083 - KAWASAKI, ADLY, AEON, ALFER, APACHE, APRILIA, BENELLI, BLANEY Quads, BOMBARDIER, BSM, CAN-AM, CCM, CECTEK, CF MOTO, COR QUADS, CPI, CQR, DAELIM, DERBI, E-TON QUADS, EVA, GARELLI, GENERIC/KSR, GOES, GOVECS ELECTRIC SCOOTERS, HYOSUNG, KEEWAY, KREIDLER, LEXMOTO, MALAGUTI, MASAI, MH, MOTO-ROMA, MZ/MUZ, PEUGEOT, PGO, PIAGGIO, POLARIS, QUADZILLA, QUADRA, RIEJU, ROXON, SCARABEO, SCORPA, SHERCO, SUZUKI, TGB, TM, VECTRIX, VIALLI, YAMAHA, ZERO
FA083/2 - HONDA, KAWASAKI, SUZUKI, GILERA, GOES, PIAGGIO, SCARABEO

FA084
46 x 45 x 8mm
FA084/2
46 x 45 x 6.5/8mm
FA084/3
46 x 45 x 6.5mm





MATERIAL AVAILABILITY - FA84											
FA	TT	V	R	MXS	HH	EPFA	GPFAX	SFA	SFAHH	SFAC	SXR
	✓		✓	✓							

MATERIAL AVAILABILITY - FA84/2											
FA	TT	V	R	MXS	HH	EPFA	GPFAX	SFA	SFAHH	SFAC	SXR
	✓		✓								

MATERIAL AVAILABILITY - FA84/3											
FA	TT	V	R	MXS	HH	EPFA	GPFAX	SFA	SFAHH	SFAC	SXR
	✓		✓	✓							

FA084 - ARCTIC CAT, HONDA, HONDA HM ITALY, HUSQVARNA, KAWASAKI, SUZUKI, YAMAHA,
FA084/2 - HONDA
FA084/3 - SUZUKI, TM, HONDA, YAMAHA

FA085
A 111 x 50 x 9.5mm
B 69 x 43 x 9.5mm

MATERIAL AVAILABILITY											
FA	TT	V	R	MXS	HH	EPFA	GPFAX	SFA	SFAHH	SFAC	SXR
✓		✓			✓						

GENERIC, KAWASAKI

DO NOT REFIT ANY SHIMS/INSULATORS TO EBC PADS FROM ORIGINAL PADS UNLESS INSTRUCTED ON NOTE ON PAD PACKAGING AND ON FA DRAWING ASSOCIATED WITH THAT PAD.

FA086

77 x 42 x 7.5mm



FA086/2

77 x 42 x 8.5mm

MATERIAL AVAILABILITY

FA	TT	V	R	MXS	HH	EPFA	GPFAX	SFA	SFAHH	SFAC	SXR
✓		✓			✓			✓	✓	✓	

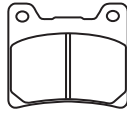
MATERIAL AVAILABILITY - FA086/2

✓					✓						
---	--	--	--	--	---	--	--	--	--	--	--

FA086 - AJS, ASPES, BENELLI, BETA, BAOTIAN, CCM, CAGIVA, C F MOTO, CPI, DAELIM, E-MAX ELECTRIC SCOOTER, GARELLI, GENERIC/KSR, GOCCIA ELECTRIC SCOOTERS, GOES, HERO HONDA, HONDA, HONGDOU, HONLEY, HP POWER, HYOSUNG, E-TROPOLIS ELECTRIC SCOOTERS, ITALJET, JIALING, JONWAY, KEEWAY, KREIDLER, KYMCO, LAMBRETTA, LEONART, LEXMOTO, LIFAN, MASH, MEGELLI, MOTOM, NIPPONIA, PEUGEOT, QUADZILLA, SACHS, SCOMADI, SFM, SINNIS, SMC, SUPER SOCO, SUPERBYKE
FA086/2 - HYOSUNG

FA088

63.5 x 55 x 9mm



MATERIAL AVAILABILITY

FA	TT	V	R	MXS	HH	EPFA	GPFAX	SFA	SFAHH	SFAC	SXR
✓		✓			✓	✓					

NORTON, YAMAHA

FA090

91 x 51.5 x 10mm



MATERIAL AVAILABILITY

FA	TT	V	R	MXS	HH	EPFA	GPFAX	SFA	SFAHH	SFAC	SXR
✓		✓									

HONDA

FA092

81 x 42 x 7.5mm



MATERIAL AVAILABILITY

FA	TT	V	R	MXS	HH	EPFA	GPFAX	SFA	SFAHH	SFAC	SXR
	✓		✓								

HONDA

FA093

A 87.5 x 49 x 8mm

B 56.5 x 36.5 x 10mm



MATERIAL AVAILABILITY

FA	TT	V	R	MXS	HH	EPFA	GPFAX	SFA	SFAHH	SFAC	SXR
✓								✓			

SUZUKI, AJP, APRILIA, BRANSON, CF MOTO, DERBI, EASY RIDER, GAS GAS, HARTFORD, KEEWAY, MASH, MH/MOTORHISPANIA, MOTO-ROMA, PEUGEOT, RIEJU, SHERCO, SINNIS, SUPERBYKE, TGB, WK BIKES, WUYANG, ZONTES,

FA094

56 x 60 x 13mm



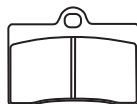
MATERIAL AVAILABILITY

FA	TT	V	R	MXS	HH	EPFA	GPFAX	SFA	SFAHH	SFAC	SXR
✓		✓			✓	✓					

HARLEY DAVIDSON

FA095

69.5 x 51 x 8mm



MATERIAL AVAILABILITY

FA	TT	V	R	MXS	HH	EPFA	GPFAX	SFA	SFAHH	SFAC	SXR
✓		✓			✓	✓					

AJS, APRILIA, BENELLI, BETA, BIMOTA, BORILE, BREMBO, CAGIVA, CCM, DUCATI, FANTIC, GAS GAS, GILERA, HONDA, HUSQVARNA, INDIAN, KTM, LAVERDA, LEXMOTO, MASH, MONDIAL, MOTO GUZZI, MZ/MUZ, OMP, PGO, REVTECH, TM, YAMAHA, SACHS, VOR, VOXAN, WILWOOD, WK BIKES

FA099

31.5 x 52 x 5.5mm



MATERIAL AVAILABILITY

FA	TT	V	R	MXS	HH	EPFA	GPFAX	SFA	SFAHH	SFAC	SXR
✓								✓			

APRILIA, BENELLI, BETA, CIMATTI, FANTIC, GARELLI, GILERA, MALAGUTI

FA100

39 x 9mm



MATERIAL AVAILABILITY

FA	TT	V	R	MXS	HH	EPFA	GPFAX	SFA	SFAHH	SFAC	SXR
✓											

LAMBRETTA

FA101

70.5 x 36 x 9mm



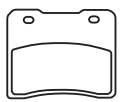
MATERIAL AVAILABILITY

FA	TT	V	R	MXS	HH	EPFA	GPFAX	SFA	SFAHH	SFAC	SXR
✓	✓		✓	✓				✓	✓	✓	

BETA, CCM, CF MOTO, GARELLI, HERO HONDA, HONDA HM ITALY, LINHAI, MALAGUTI, MBK, MZ, YAMAHA, GILERA, ITALJET, NIPPONIA, SACHS, SFM, SIAMOTO, W.K. BIKES

DO NOT REFIT ANY SHIMS/INSULATORS TO EBC PADS FROM ORIGINAL PADS UNLESS INSTRUCTED ON NOTE ON PAD PACKAGING AND ON FA DRAWING ASSOCIATED WITH THAT PAD.


FA102
58 x 48 x 9mm



MATERIAL AVAILABILITY											
FA	TT	V	R	MXS	HH	EPFA	GPFAX	SFA	SFAHH	SFAC	SXR
✓											

SUZUKI


FA103
58 x 54 x 9mm



MATERIAL AVAILABILITY											
FA	TT	V	R	MXS	HH	EPFA	GPFAX	SFA	SFAHH	SFAC	SXR
✓		✓			✓						

SUZUKI


FA104
68 x 56 x 9mm



MATERIAL AVAILABILITY											
FA	TT	V	R	MXS	HH	EPFA	GPFAX	SFA	SFAHH	SFAC	SXR
✓		✓			✓						

YAMAHA

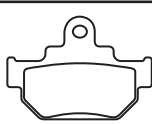
FA105
91 x 30 x 8mm



MATERIAL AVAILABILITY											
FA	TT	V	R	MXS	HH	EPFA	GPFAX	SFA	SFAHH	SFAC	SXR
	✓		✓								

YAMAHA

FA106
77 x 54 x 8mm



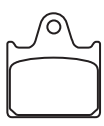
MATERIAL AVAILABILITY - FA106											
FA	TT	V	R	MXS	HH	EPFA	GPFAX	SFA	SFAHH	SFAC	SXR
	✓	✓	✓								

FA106/2
77 x 54 x 9.5mm

MATERIAL AVAILABILITY - FA106/02											
FA	TT	V	R	MXS	HH	EPFA	GPFAX	SFA	SFAHH	SFAC	SXR
	✓										

FA106 - SUZUKI, SIAMOTO, MAICO
FA106/2 - SUZUKI

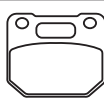
FA109
50 x 55.5 x 11.5mm



MATERIAL AVAILABILITY											
FA	TT	V	R	MXS	HH	EPFA	GPFAX	SFA	SFAHH	SFAC	SXR
✓											

HONDA

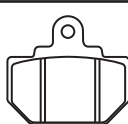
FA110
52.5 x 44 x 7.5mm



MATERIAL AVAILABILITY											
FA	TT	V	R	MXS	HH	EPFA	GPFAX	SFA	SFAHH	SFAC	SXR
✓											

SUZUKI


FA111
65 x 57 x 9mm



MATERIAL AVAILABILITY											
FA	TT	V	R	MXS	HH	EPFA	GPFAX	SFA	SFAHH	SFAC	SXR
			✓								

HONDA

FA115
36 x 45 x 6mm



MATERIAL AVAILABILITY											
FA	TT	V	R	MXS	HH	EPFA	GPFAX	SFA	SFAHH	SFAC	SXR
✓	✓	✓	✓	✓	✓			✓	✓	✓	

AJP, ALFER, APRILIA, BETA, BLATA, BULTACO, CAGIVA, CH RACING, CONTI, CPI, CZ/JAWA, DAELIM, DERBI, DUCATI, ECO, EXPLORER, FACTORY, FANTIC, FB MINARELLI SPAIN, FYM/X-Sport, GARELLI, GAS-GAS, GILERA, GMA, HONDA DALL-ARA, HONDA HM ITALY, H P POWER, HRD, HUSQVARNA, IRON PEGASUS, ITALJET, JAYBRAKE, JCM, KTM, LEM, MALAGUTI, MBK, MH/MOTORHISPANIA, MONTESA, MOTO ROMA, SUZUKI, PERFORMANCE MACHINE, PEUGEOT AJP CALIPER, PIAGGIO, RIEJU, ROXON, SACHS, SCORPA, SHERCO, SIAMOTO, TOMOS, WK, YAMAHA



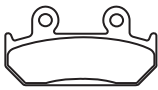
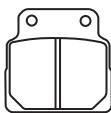
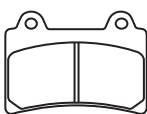
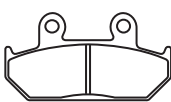






FA116
31.5 x 57 x 5.5mm




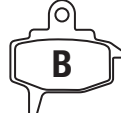




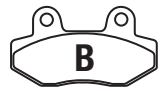

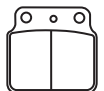



MATERIAL AVAILABILITY											
FA	TT	V	R	MXS	HH	EPFA	GPFAX	SFA	SFAHH	SFAC	SXR
✓								✓			

ACCOSSATO, APRILIA, BETA, CAGIVA, FANTIC, GARELLI, MALAGUTI, OMP, PEUGEOT, PIAGGIO, TOMOS, YAMAHA



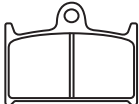

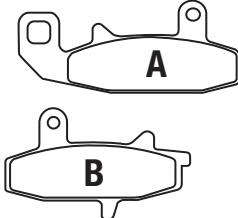
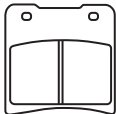




DO NOT REFIT ANY SHIMS/INSULATORS TO EBC PADS FROM ORIGINAL PADS UNLESS INSTRUCTED ON NOTE ON PAD PACKAGING AND ON FA DRAWING ASSOCIATED WITH THAT PAD.

<p>FA118 71 x 39.5 x 10mm</p>		<table border="1"> <thead> <tr> <th colspan="11">MATERIAL AVAILABILITY</th> </tr> <tr> <th>FA</th> <th>TT</th> <th>V</th> <th>R</th> <th>MXS</th> <th>HH</th> <th>EPFA</th> <th>GPFAX</th> <th>SFA</th> <th>SFAHH</th> <th>SFAC</th> <th>SXR</th> </tr> </thead> <tbody> <tr> <td>✓</td> <td></td> <td></td> <td></td> <td></td> <td></td> <td></td> <td></td> <td></td> <td></td> <td></td> <td></td> </tr> </tbody> </table> <p>ALFER, YAMAHA</p>	MATERIAL AVAILABILITY											FA	TT	V	R	MXS	HH	EPFA	GPFAX	SFA	SFAHH	SFAC	SXR	✓																																														
MATERIAL AVAILABILITY																																																																								
FA	TT	V	R	MXS	HH	EPFA	GPFAX	SFA	SFAHH	SFAC	SXR																																																													
✓																																																																								
<p>FA119 82.5 x 21.5 x 7mm</p>		<table border="1"> <thead> <tr> <th colspan="11">MATERIAL AVAILABILITY</th> </tr> <tr> <th>FA</th> <th>TT</th> <th>V</th> <th>R</th> <th>MXS</th> <th>HH</th> <th>EPFA</th> <th>GPFAX</th> <th>SFA</th> <th>SFAHH</th> <th>SFAC</th> <th>SXR</th> </tr> </thead> <tbody> <tr> <td></td> <td>✓</td> <td></td> <td>✓</td> <td></td> <td></td> <td></td> <td></td> <td></td> <td></td> <td></td> <td></td> </tr> </tbody> </table> <p>YAMAHA</p>	MATERIAL AVAILABILITY											FA	TT	V	R	MXS	HH	EPFA	GPFAX	SFA	SFAHH	SFAC	SXR		✓		✓																																											
MATERIAL AVAILABILITY																																																																								
FA	TT	V	R	MXS	HH	EPFA	GPFAX	SFA	SFAHH	SFAC	SXR																																																													
	✓		✓																																																																					
<p>FA121 81 x 42 x 9mm</p>		<table border="1"> <thead> <tr> <th colspan="11">MATERIAL AVAILABILITY</th> </tr> <tr> <th>FA</th> <th>TT</th> <th>V</th> <th>R</th> <th>MXS</th> <th>HH</th> <th>EPFA</th> <th>GPFAX</th> <th>SFA</th> <th>SFAHH</th> <th>SFAC</th> <th>SXR</th> </tr> </thead> <tbody> <tr> <td>✓</td> <td></td> <td></td> <td></td> <td></td> <td>✓</td> <td></td> <td></td> <td></td> <td></td> <td></td> <td></td> </tr> </tbody> </table> <p>HONDA</p>	MATERIAL AVAILABILITY											FA	TT	V	R	MXS	HH	EPFA	GPFAX	SFA	SFAHH	SFAC	SXR	✓					✓																																									
MATERIAL AVAILABILITY																																																																								
FA	TT	V	R	MXS	HH	EPFA	GPFAX	SFA	SFAHH	SFAC	SXR																																																													
✓					✓																																																																			
<p>FA122 55 x 52.5 x 9.5mm</p>		<table border="1"> <thead> <tr> <th colspan="11">MATERIAL AVAILABILITY</th> </tr> <tr> <th>FA</th> <th>TT</th> <th>V</th> <th>R</th> <th>MXS</th> <th>HH</th> <th>EPFA</th> <th>GPFAX</th> <th>SFA</th> <th>SFAHH</th> <th>SFAC</th> <th>SXR</th> </tr> </thead> <tbody> <tr> <td>✓</td> <td></td> <td></td> <td></td> <td></td> <td></td> <td></td> <td></td> <td></td> <td></td> <td></td> <td></td> </tr> </tbody> </table> <p>HONDA</p>	MATERIAL AVAILABILITY											FA	TT	V	R	MXS	HH	EPFA	GPFAX	SFA	SFAHH	SFAC	SXR	✓																																														
MATERIAL AVAILABILITY																																																																								
FA	TT	V	R	MXS	HH	EPFA	GPFAX	SFA	SFAHH	SFAC	SXR																																																													
✓																																																																								
<p>FA123 75 x 54 x 10mm</p>		<table border="1"> <thead> <tr> <th colspan="11">MATERIAL AVAILABILITY</th> </tr> <tr> <th>FA</th> <th>TT</th> <th>V</th> <th>R</th> <th>MXS</th> <th>HH</th> <th>EPFA</th> <th>GPFAX</th> <th>SFA</th> <th>SFAHH</th> <th>SFAC</th> <th>SXR</th> </tr> </thead> <tbody> <tr> <td>✓</td> <td></td> <td>✓</td> <td></td> <td></td> <td>✓</td> <td></td> <td></td> <td></td> <td></td> <td></td> <td></td> </tr> </tbody> </table> <p>YAMAHA</p>	MATERIAL AVAILABILITY											FA	TT	V	R	MXS	HH	EPFA	GPFAX	SFA	SFAHH	SFAC	SXR	✓		✓			✓																																									
MATERIAL AVAILABILITY																																																																								
FA	TT	V	R	MXS	HH	EPFA	GPFAX	SFA	SFAHH	SFAC	SXR																																																													
✓		✓			✓																																																																			
<p>FA124 88 x 46.5 x 8.5mm FA124/2 88 x 46.5 x 10mm</p>		<table border="1"> <thead> <tr> <th colspan="11">MATERIAL AVAILABILITY - FA124</th> </tr> <tr> <th>FA</th> <th>TT</th> <th>V</th> <th>R</th> <th>MXS</th> <th>HH</th> <th>EPFA</th> <th>GPFAX</th> <th>SFA</th> <th>SFAHH</th> <th>SFAC</th> <th>SXR</th> </tr> </thead> <tbody> <tr> <td>✓</td> <td></td> <td></td> <td></td> <td></td> <td>✓</td> <td></td> <td></td> <td></td> <td></td> <td></td> <td></td> </tr> </tbody> </table> <table border="1"> <thead> <tr> <th colspan="11">MATERIAL AVAILABILITY - FA124/2</th> </tr> <tr> <th>FA</th> <th>TT</th> <th>V</th> <th>R</th> <th>MXS</th> <th>HH</th> <th>EPFA</th> <th>GPFAX</th> <th>SFA</th> <th>SFAHH</th> <th>SFAC</th> <th>SXR</th> </tr> </thead> <tbody> <tr> <td>✓</td> <td></td> <td>✓</td> <td></td> <td></td> <td>✓</td> <td></td> <td></td> <td></td> <td></td> <td></td> <td></td> </tr> </tbody> </table> <p>FA124 - HONDA, FA124/2 - CAGIVA, HONDA</p>	MATERIAL AVAILABILITY - FA124											FA	TT	V	R	MXS	HH	EPFA	GPFAX	SFA	SFAHH	SFAC	SXR	✓					✓							MATERIAL AVAILABILITY - FA124/2											FA	TT	V	R	MXS	HH	EPFA	GPFAX	SFA	SFAHH	SFAC	SXR	✓		✓			✓						
MATERIAL AVAILABILITY - FA124																																																																								
FA	TT	V	R	MXS	HH	EPFA	GPFAX	SFA	SFAHH	SFAC	SXR																																																													
✓					✓																																																																			
MATERIAL AVAILABILITY - FA124/2																																																																								
FA	TT	V	R	MXS	HH	EPFA	GPFAX	SFA	SFAHH	SFAC	SXR																																																													
✓		✓			✓																																																																			
<p>FA125 94 x 32 x 7.5mm</p>		<table border="1"> <thead> <tr> <th colspan="11">MATERIAL AVAILABILITY</th> </tr> <tr> <th>FA</th> <th>TT</th> <th>V</th> <th>R</th> <th>MXS</th> <th>HH</th> <th>EPFA</th> <th>GPFAX</th> <th>SFA</th> <th>SFAHH</th> <th>SFAC</th> <th>SXR</th> </tr> </thead> <tbody> <tr> <td></td> <td>✓</td> <td></td> <td>✓</td> <td></td> <td></td> <td></td> <td></td> <td></td> <td></td> <td></td> <td></td> </tr> </tbody> </table> <p>HONDA</p>	MATERIAL AVAILABILITY											FA	TT	V	R	MXS	HH	EPFA	GPFAX	SFA	SFAHH	SFAC	SXR		✓		✓																																											
MATERIAL AVAILABILITY																																																																								
FA	TT	V	R	MXS	HH	EPFA	GPFAX	SFA	SFAHH	SFAC	SXR																																																													
	✓		✓																																																																					
<p>FA126 67.5 x 51 x 7mm</p>		<table border="1"> <thead> <tr> <th colspan="11">MATERIAL AVAILABILITY</th> </tr> <tr> <th>FA</th> <th>TT</th> <th>V</th> <th>R</th> <th>MXS</th> <th>HH</th> <th>EPFA</th> <th>GPFAX</th> <th>SFA</th> <th>SFAHH</th> <th>SFAC</th> <th>SXR</th> </tr> </thead> <tbody> <tr> <td>✓</td> <td></td> <td></td> <td></td> <td></td> <td>✓</td> <td></td> <td></td> <td></td> <td></td> <td></td> <td></td> </tr> </tbody> </table> <p>ALFER, APRILIA, BENELLI, GILERA, KTM, MALAGUTI, MOTO GUZZI, MZ</p>	MATERIAL AVAILABILITY											FA	TT	V	R	MXS	HH	EPFA	GPFAX	SFA	SFAHH	SFAC	SXR	✓					✓																																									
MATERIAL AVAILABILITY																																																																								
FA	TT	V	R	MXS	HH	EPFA	GPFAX	SFA	SFAHH	SFAC	SXR																																																													
✓					✓																																																																			
<p>FA128 A 85 x 37 x 8mm B 55.5 x 37 x 10mm</p>	 	<table border="1"> <thead> <tr> <th colspan="11">MATERIAL AVAILABILITY</th> </tr> <tr> <th>FA</th> <th>TT</th> <th>V</th> <th>R</th> <th>MXS</th> <th>HH</th> <th>EPFA</th> <th>GPFAX</th> <th>SFA</th> <th>SFAHH</th> <th>SFAC</th> <th>SXR</th> </tr> </thead> <tbody> <tr> <td></td> <td>✓</td> <td></td> <td>✓</td> <td></td> <td></td> <td></td> <td></td> <td></td> <td></td> <td></td> <td></td> </tr> </tbody> </table> <p>KAWASAKI, SUZUKI</p>	MATERIAL AVAILABILITY											FA	TT	V	R	MXS	HH	EPFA	GPFAX	SFA	SFAHH	SFAC	SXR		✓		✓																																											
MATERIAL AVAILABILITY																																																																								
FA	TT	V	R	MXS	HH	EPFA	GPFAX	SFA	SFAHH	SFAC	SXR																																																													
	✓		✓																																																																					
<p>FA129 A 141.5 x 41 x 10mm B 95 x 35 x 9.5mm</p>	 	<table border="1"> <thead> <tr> <th colspan="11">MATERIAL AVAILABILITY</th> </tr> <tr> <th>FA</th> <th>TT</th> <th>V</th> <th>R</th> <th>MXS</th> <th>HH</th> <th>EPFA</th> <th>GPFAX</th> <th>SFA</th> <th>SFAHH</th> <th>SFAC</th> <th>SXR</th> </tr> </thead> <tbody> <tr> <td>✓</td> <td></td> <td>✓</td> <td>✓</td> <td></td> <td>✓</td> <td>✓</td> <td></td> <td></td> <td></td> <td></td> <td></td> </tr> </tbody> </table> <p>HYOSUNG, KAWASAKI, SUZUKI</p>	MATERIAL AVAILABILITY											FA	TT	V	R	MXS	HH	EPFA	GPFAX	SFA	SFAHH	SFAC	SXR	✓		✓	✓		✓	✓																																								
MATERIAL AVAILABILITY																																																																								
FA	TT	V	R	MXS	HH	EPFA	GPFAX	SFA	SFAHH	SFAC	SXR																																																													
✓		✓	✓		✓	✓																																																																		

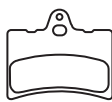
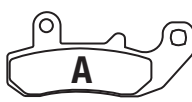
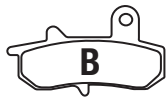
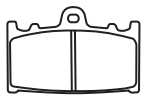

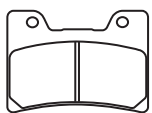
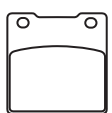

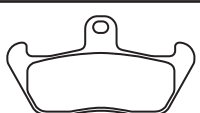
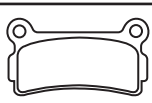


DO NOT REFIT ANY SHIMS/INSULATORS TO EBC PADS FROM ORIGINAL PADS UNLESS INSTRUCTED ON NOTE ON PAD PACKAGING AND ON FA DRAWING ASSOCIATED WITH THAT PAD.

<p>FA130 A 74 x 49 x 6.5mm B 61 x 62.5 x 9mm</p>	 <p>A</p>  <p>B</p>	<table border="1"> <thead> <tr> <th colspan="12">MATERIAL AVAILABILITY</th> </tr> <tr> <th>FA</th> <th>TT</th> <th>V</th> <th>R</th> <th>MXS</th> <th>HH</th> <th>EPFA</th> <th>GPFAX</th> <th>SFA</th> <th>SFAHH</th> <th>SFAC</th> <th>SXR</th> </tr> </thead> <tbody> <tr> <td></td> <td>✓</td> <td></td> <td>✓</td> <td></td> <td></td> <td></td> <td></td> <td></td> <td></td> <td></td> <td></td> </tr> </tbody> </table> <p>KAWASAKI</p>	MATERIAL AVAILABILITY												FA	TT	V	R	MXS	HH	EPFA	GPFAX	SFA	SFAHH	SFAC	SXR		✓		✓																																												
MATERIAL AVAILABILITY																																																																										
FA	TT	V	R	MXS	HH	EPFA	GPFAX	SFA	SFAHH	SFAC	SXR																																																															
	✓		✓																																																																							
<p>FA131 75 x 36 x 10.5mm FA131R 75 x 36 x 9mm FA131/2 75 x 36 x 7.5mm FA131R/3 75 x 36 x 9.5mm</p>		<table border="1"> <thead> <tr> <th colspan="12">MATERIAL AVAILABILITY - FA131</th> </tr> <tr> <th>FA</th> <th>TT</th> <th>V</th> <th>R</th> <th>MXS</th> <th>HH</th> <th>EPFA</th> <th>GPFAX</th> <th>SFA</th> <th>SFAHH</th> <th>SFAC</th> <th>SXR</th> </tr> </thead> <tbody> <tr> <td></td> <td>✓</td> <td></td> <td>✓</td> <td>✓</td> <td></td> <td>✓</td> <td></td> <td></td> <td></td> <td></td> <td></td> </tr> </tbody> </table> <table border="1"> <thead> <tr> <th colspan="12">MATERIAL AVAILABILITY - FA131/2 & FA131/3</th> </tr> <tr> <th>FA</th> <th>TT</th> <th>V</th> <th>R</th> <th>MXS</th> <th>HH</th> <th>EPFA</th> <th>GPFAX</th> <th>SFA</th> <th>SFAHH</th> <th>SFAC</th> <th>SXR</th> </tr> </thead> <tbody> <tr> <td></td> <td></td> <td></td> <td></td> <td></td> <td></td> <td></td> <td></td> <td>✓</td> <td>✓</td> <td></td> <td></td> </tr> </tbody> </table> <p>FA131 AJP, CPI, FANTIC, GAS-GAS, GOES, HONDA, HONDA DALL'ARA, HONDA HM Italy, HYOSUNG, HUSQVARNA, KAWASAKI, SUZUKI, TM, YAMAHA FA131/2 PEUGEOT, SYM SANYANG, HONDA FA131/3 HONDA, PEUGEOT</p>	MATERIAL AVAILABILITY - FA131												FA	TT	V	R	MXS	HH	EPFA	GPFAX	SFA	SFAHH	SFAC	SXR		✓		✓	✓		✓						MATERIAL AVAILABILITY - FA131/2 & FA131/3												FA	TT	V	R	MXS	HH	EPFA	GPFAX	SFA	SFAHH	SFAC	SXR									✓	✓		
MATERIAL AVAILABILITY - FA131																																																																										
FA	TT	V	R	MXS	HH	EPFA	GPFAX	SFA	SFAHH	SFAC	SXR																																																															
	✓		✓	✓		✓																																																																				
MATERIAL AVAILABILITY - FA131/2 & FA131/3																																																																										
FA	TT	V	R	MXS	HH	EPFA	GPFAX	SFA	SFAHH	SFAC	SXR																																																															
								✓	✓																																																																	
<p>FA132 79.5 x 46 x 9mm</p>		<table border="1"> <thead> <tr> <th colspan="12">MATERIAL AVAILABILITY</th> </tr> <tr> <th>FA</th> <th>TT</th> <th>V</th> <th>R</th> <th>MXS</th> <th>HH</th> <th>EPFA</th> <th>GPFAX</th> <th>SFA</th> <th>SFAHH</th> <th>SFAC</th> <th>SXR</th> </tr> </thead> <tbody> <tr> <td>✓</td> <td></td> <td></td> <td>✓</td> <td></td> <td></td> <td></td> <td></td> <td></td> <td></td> <td></td> <td></td> </tr> </tbody> </table> <p>KTM, MAICO, OSSA, PHB</p>	MATERIAL AVAILABILITY												FA	TT	V	R	MXS	HH	EPFA	GPFAX	SFA	SFAHH	SFAC	SXR	✓			✓																																												
MATERIAL AVAILABILITY																																																																										
FA	TT	V	R	MXS	HH	EPFA	GPFAX	SFA	SFAHH	SFAC	SXR																																																															
✓			✓																																																																							
<p>FA134 100 x 46.5 x 9mm</p>		<table border="1"> <thead> <tr> <th colspan="12">MATERIAL AVAILABILITY</th> </tr> <tr> <th>FA</th> <th>TT</th> <th>V</th> <th>R</th> <th>MXS</th> <th>HH</th> <th>EPFA</th> <th>GPFAX</th> <th>SFA</th> <th>SFAHH</th> <th>SFAC</th> <th>SXR</th> </tr> </thead> <tbody> <tr> <td>✓</td> <td></td> <td></td> <td>✓</td> <td></td> <td></td> <td></td> <td></td> <td></td> <td></td> <td></td> <td></td> </tr> </tbody> </table> <p>APRILIA, CAGIVA, GILERA, HONDA HM ITALY, HUSQVARNA, KRAM-IT KRAMER, MOTO MORINI, YAMAHA</p>	MATERIAL AVAILABILITY												FA	TT	V	R	MXS	HH	EPFA	GPFAX	SFA	SFAHH	SFAC	SXR	✓			✓																																												
MATERIAL AVAILABILITY																																																																										
FA	TT	V	R	MXS	HH	EPFA	GPFAX	SFA	SFAHH	SFAC	SXR																																																															
✓			✓																																																																							
<p>FA135 A 97 x 42 x 7.5mm B 77 x 42 x 7.5mm</p>	 <p>A</p>  <p>B</p>	<table border="1"> <thead> <tr> <th colspan="12">MATERIAL AVAILABILITY</th> </tr> <tr> <th>FA</th> <th>TT</th> <th>V</th> <th>R</th> <th>MXS</th> <th>HH</th> <th>EPFA</th> <th>GPFAX</th> <th>SFA</th> <th>SFAHH</th> <th>SFAC</th> <th>SXR</th> </tr> </thead> <tbody> <tr> <td></td> <td>✓</td> <td></td> <td>✓</td> <td>✓</td> <td></td> <td></td> <td></td> <td></td> <td></td> <td></td> <td></td> </tr> </tbody> </table> <p>AEON, APACHE, BAROSSA QUADS, CAN-AM SIDE X SIDE, CF MOTO, ECO, FANTIC, GAS GAS, GOES, HUSQVARNA, KAWASAKI, KREIDLER, LEXMOTO, MOTO ROMA, PUZEY, QUADZILLA, SINNIS, SUPERBYKE, SUZUKI, YAMAHA</p>	MATERIAL AVAILABILITY												FA	TT	V	R	MXS	HH	EPFA	GPFAX	SFA	SFAHH	SFAC	SXR		✓		✓	✓																																											
MATERIAL AVAILABILITY																																																																										
FA	TT	V	R	MXS	HH	EPFA	GPFAX	SFA	SFAHH	SFAC	SXR																																																															
	✓		✓	✓																																																																						
<p>FA136 80 x 42.5 x 9.5mm</p>		<table border="1"> <thead> <tr> <th colspan="12">MATERIAL AVAILABILITY</th> </tr> <tr> <th>FA</th> <th>TT</th> <th>V</th> <th>R</th> <th>MXS</th> <th>HH</th> <th>EPFA</th> <th>GPFAX</th> <th>SFA</th> <th>SFAHH</th> <th>SFAC</th> <th>SXR</th> </tr> </thead> <tbody> <tr> <td>✓</td> <td></td> <td></td> <td></td> <td></td> <td></td> <td></td> <td></td> <td></td> <td></td> <td></td> <td></td> </tr> </tbody> </table> <p>YAMAHA</p>	MATERIAL AVAILABILITY												FA	TT	V	R	MXS	HH	EPFA	GPFAX	SFA	SFAHH	SFAC	SXR	✓																																															
MATERIAL AVAILABILITY																																																																										
FA	TT	V	R	MXS	HH	EPFA	GPFAX	SFA	SFAHH	SFAC	SXR																																																															
✓																																																																										
<p>FA137 47 x 45 x 7.5mm</p>		<table border="1"> <thead> <tr> <th colspan="12">MATERIAL AVAILABILITY</th> </tr> <tr> <th>FA</th> <th>TT</th> <th>V</th> <th>R</th> <th>MXS</th> <th>HH</th> <th>EPFA</th> <th>GPFAX</th> <th>SFA</th> <th>SFAHH</th> <th>SFAC</th> <th>SXR</th> </tr> </thead> <tbody> <tr> <td></td> <td>✓</td> <td></td> <td>✓</td> <td></td> <td></td> <td></td> <td></td> <td></td> <td></td> <td></td> <td></td> </tr> </tbody> </table> <p>ARCTIC CAT, KAWASAKI, SUZUKI</p>	MATERIAL AVAILABILITY												FA	TT	V	R	MXS	HH	EPFA	GPFAX	SFA	SFAHH	SFAC	SXR		✓		✓																																												
MATERIAL AVAILABILITY																																																																										
FA	TT	V	R	MXS	HH	EPFA	GPFAX	SFA	SFAHH	SFAC	SXR																																																															
	✓		✓																																																																							
<p>FA140 86.5 x 39.5 x 10mm</p>		<table border="1"> <thead> <tr> <th colspan="12">MATERIAL AVAILABILITY</th> </tr> <tr> <th>FA</th> <th>TT</th> <th>V</th> <th>R</th> <th>MXS</th> <th>HH</th> <th>EPFA</th> <th>GPFAX</th> <th>SFA</th> <th>SFAHH</th> <th>SFAC</th> <th>SXR</th> </tr> </thead> <tbody> <tr> <td>✓</td> <td></td> <td>✓</td> <td></td> <td></td> <td>✓</td> <td></td> <td></td> <td>✓</td> <td>✓</td> <td>✓</td> <td></td> </tr> </tbody> </table> <p>HONDA, KAWASAKI, KREIDLER, LEXMOTO, BUELL, CF MOTO, PEUGEOT, SINNIS, SUZUKI, TRIUMPH, YAMAHA, ZERO, ZONTES</p>	MATERIAL AVAILABILITY												FA	TT	V	R	MXS	HH	EPFA	GPFAX	SFA	SFAHH	SFAC	SXR	✓		✓			✓			✓	✓	✓																																					
MATERIAL AVAILABILITY																																																																										
FA	TT	V	R	MXS	HH	EPFA	GPFAX	SFA	SFAHH	SFAC	SXR																																																															
✓		✓			✓			✓	✓	✓																																																																
<p>FA141 A 106 x 38.5 x 9mm B 76 x 27 x 10.5mm</p>	 <p>A</p>  <p>B</p>	<table border="1"> <thead> <tr> <th colspan="12">MATERIAL AVAILABILITY</th> </tr> <tr> <th>FA</th> <th>TT</th> <th>V</th> <th>R</th> <th>MXS</th> <th>HH</th> <th>EPFA</th> <th>GPFAX</th> <th>SFA</th> <th>SFAHH</th> <th>SFAC</th> <th>SXR</th> </tr> </thead> <tbody> <tr> <td>✓</td> <td></td> <td></td> <td></td> <td></td> <td></td> <td></td> <td></td> <td></td> <td></td> <td></td> <td></td> </tr> </tbody> </table> <p>KAWASAKI, SUZUKI</p>	MATERIAL AVAILABILITY												FA	TT	V	R	MXS	HH	EPFA	GPFAX	SFA	SFAHH	SFAC	SXR	✓																																															
MATERIAL AVAILABILITY																																																																										
FA	TT	V	R	MXS	HH	EPFA	GPFAX	SFA	SFAHH	SFAC	SXR																																																															
✓																																																																										

DO NOT REFIT ANY SHIMS/INSULATORS TO EBC PADS FROM ORIGINAL PADS UNLESS INSTRUCTED ON NOTE ON PAD PACKAGING AND ON FA DRAWING ASSOCIATED WITH THAT PAD.

<p>FA142 102 x 39 x 9mm</p>		<table border="1"> <thead> <tr> <th colspan="12">MATERIAL AVAILABILITY</th> </tr> <tr> <th>FA</th> <th>TT</th> <th>V</th> <th>R</th> <th>MXS</th> <th>HH</th> <th>EPFA</th> <th>GPFAX</th> <th>SFA</th> <th>SFAHH</th> <th>SFAC</th> <th>SXR</th> </tr> </thead> <tbody> <tr> <td>✓</td> <td></td> <td>✓</td> <td></td> <td></td> <td>✓</td> <td></td> <td></td> <td>✓</td> <td>✓</td> <td></td> <td></td> </tr> </tbody> </table> <p>BENELLI, BMW, CE 02 ELECTRIC SCOOTER, C EVOLUTION ELECTRIC, CAGIVA, DAELIM, HONDA, GENERIC/KSR, ITALJET, CZ/JAWA, KAWASAKI, KYMCO, MASH, PEUGEOT, SACHS, SUZUKI, S.W.M., TRIUMPH, VOGE, VOXAN, YAMAHA, ZONTES</p>	MATERIAL AVAILABILITY												FA	TT	V	R	MXS	HH	EPFA	GPFAX	SFA	SFAHH	SFAC	SXR	✓		✓			✓			✓	✓																																						
MATERIAL AVAILABILITY																																																																										
FA	TT	V	R	MXS	HH	EPFA	GPFAX	SFA	SFAHH	SFAC	SXR																																																															
✓		✓			✓			✓	✓																																																																	
<p>FA143 94 x 32 x 10mm</p>		<table border="1"> <thead> <tr> <th colspan="12">MATERIAL AVAILABILITY</th> </tr> <tr> <th>FA</th> <th>TT</th> <th>V</th> <th>R</th> <th>MXS</th> <th>HH</th> <th>EPFA</th> <th>GPFAX</th> <th>SFA</th> <th>SFAHH</th> <th>SFAC</th> <th>SXR</th> </tr> </thead> <tbody> <tr> <td>✓</td> <td></td> <td></td> <td></td> <td></td> <td></td> <td></td> <td></td> <td></td> <td></td> <td></td> <td></td> </tr> </tbody> </table> <p>HONDA</p>	MATERIAL AVAILABILITY												FA	TT	V	R	MXS	HH	EPFA	GPFAX	SFA	SFAHH	SFAC	SXR	✓																																															
MATERIAL AVAILABILITY																																																																										
FA	TT	V	R	MXS	HH	EPFA	GPFAX	SFA	SFAHH	SFAC	SXR																																																															
✓																																																																										
<p>FA145 70 x 55 x 8mm</p>		<table border="1"> <thead> <tr> <th colspan="12">MATERIAL AVAILABILITY</th> </tr> <tr> <th>FA</th> <th>TT</th> <th>V</th> <th>R</th> <th>MXS</th> <th>HH</th> <th>EPFA</th> <th>GPFAX</th> <th>SFA</th> <th>SFAHH</th> <th>SFAC</th> <th>SXR</th> </tr> </thead> <tbody> <tr> <td>✓</td> <td></td> <td></td> <td></td> <td></td> <td>✓</td> <td>✓</td> <td></td> <td></td> <td></td> <td></td> <td></td> </tr> </tbody> </table> <p>SUZUKI, YAMAHA, MZ/MUZ</p>	MATERIAL AVAILABILITY												FA	TT	V	R	MXS	HH	EPFA	GPFAX	SFA	SFAHH	SFAC	SXR	✓					✓	✓																																									
MATERIAL AVAILABILITY																																																																										
FA	TT	V	R	MXS	HH	EPFA	GPFAX	SFA	SFAHH	SFAC	SXR																																																															
✓					✓	✓																																																																				
<p>FA146 59 x 57.5 x 9mm</p>		<table border="1"> <thead> <tr> <th colspan="12">MATERIAL AVAILABILITY</th> </tr> <tr> <th>FA</th> <th>TT</th> <th>V</th> <th>R</th> <th>MXS</th> <th>HH</th> <th>EPFA</th> <th>GPFAX</th> <th>SFA</th> <th>SFAHH</th> <th>SFAC</th> <th>SXR</th> </tr> </thead> <tbody> <tr> <td>✓</td> <td></td> <td>✓</td> <td></td> <td></td> <td>✓</td> <td></td> <td></td> <td></td> <td></td> <td></td> <td></td> </tr> </tbody> </table> <p>SUZUKI</p>	MATERIAL AVAILABILITY												FA	TT	V	R	MXS	HH	EPFA	GPFAX	SFA	SFAHH	SFAC	SXR	✓		✓			✓																																										
MATERIAL AVAILABILITY																																																																										
FA	TT	V	R	MXS	HH	EPFA	GPFAX	SFA	SFAHH	SFAC	SXR																																																															
✓		✓			✓																																																																					
<p>FA147 A 118 x 48 x 8.5mm B 97.5 x 58.5 x 11mm</p>		<table border="1"> <thead> <tr> <th colspan="12">MATERIAL AVAILABILITY</th> </tr> <tr> <th>FA</th> <th>TT</th> <th>V</th> <th>R</th> <th>MXS</th> <th>HH</th> <th>EPFA</th> <th>GPFAX</th> <th>SFA</th> <th>SFAHH</th> <th>SFAC</th> <th>SXR</th> </tr> </thead> <tbody> <tr> <td>✓</td> <td></td> <td></td> <td>✓</td> <td></td> <td></td> <td></td> <td></td> <td></td> <td></td> <td></td> <td></td> </tr> </tbody> </table> <p>SUZUKI</p>	MATERIAL AVAILABILITY												FA	TT	V	R	MXS	HH	EPFA	GPFAX	SFA	SFAHH	SFAC	SXR	✓			✓																																												
MATERIAL AVAILABILITY																																																																										
FA	TT	V	R	MXS	HH	EPFA	GPFAX	SFA	SFAHH	SFAC	SXR																																																															
✓			✓																																																																							
<p>FA150 59 x 57.5 x 9mm</p>		<table border="1"> <thead> <tr> <th colspan="12">MATERIAL AVAILABILITY</th> </tr> <tr> <th>FA</th> <th>TT</th> <th>V</th> <th>R</th> <th>MXS</th> <th>HH</th> <th>EPFA</th> <th>GPFAX</th> <th>SFA</th> <th>SFAHH</th> <th>SFAC</th> <th>SXR</th> </tr> </thead> <tbody> <tr> <td>✓</td> <td></td> <td>✓</td> <td></td> <td></td> <td>✓</td> <td></td> <td></td> <td></td> <td></td> <td></td> <td></td> </tr> </tbody> </table> <p>SUZUKI</p>	MATERIAL AVAILABILITY												FA	TT	V	R	MXS	HH	EPFA	GPFAX	SFA	SFAHH	SFAC	SXR	✓		✓			✓																																										
MATERIAL AVAILABILITY																																																																										
FA	TT	V	R	MXS	HH	EPFA	GPFAX	SFA	SFAHH	SFAC	SXR																																																															
✓		✓			✓																																																																					
<p>FA151 52 x 37 x 8.5mm</p>		<table border="1"> <thead> <tr> <th colspan="12">MATERIAL AVAILABILITY</th> </tr> <tr> <th>FA</th> <th>TT</th> <th>V</th> <th>R</th> <th>MXS</th> <th>HH</th> <th>EPFA</th> <th>GPFAX</th> <th>SFA</th> <th>SFAHH</th> <th>SFAC</th> <th>SXR</th> </tr> </thead> <tbody> <tr> <td>✓</td> <td></td> <td></td> <td></td> <td></td> <td></td> <td></td> <td></td> <td>✓</td> <td></td> <td>✓</td> <td></td> </tr> </tbody> </table> <p>HONDA, MORIWAKI/HONDA, GO CCIA ELECTRIC SCOOTER, SYM, HONLEY</p>	MATERIAL AVAILABILITY												FA	TT	V	R	MXS	HH	EPFA	GPFAX	SFA	SFAHH	SFAC	SXR	✓								✓		✓																																					
MATERIAL AVAILABILITY																																																																										
FA	TT	V	R	MXS	HH	EPFA	GPFAX	SFA	SFAHH	SFAC	SXR																																																															
✓								✓		✓																																																																
<p>FA152 62 x 41 x 8.5mm FA152/2 62 x 41 x 11mm</p>		<table border="1"> <thead> <tr> <th colspan="12">MATERIAL AVAILABILITY - FA152</th> </tr> <tr> <th>FA</th> <th>TT</th> <th>V</th> <th>R</th> <th>MXS</th> <th>HH</th> <th>EPFA</th> <th>GPFAX</th> <th>SFA</th> <th>SFAHH</th> <th>SFAC</th> <th>SXR</th> </tr> </thead> <tbody> <tr> <td></td> <td>✓</td> <td></td> <td>✓</td> <td>✓</td> <td></td> <td></td> <td></td> <td></td> <td></td> <td></td> <td></td> </tr> </tbody> </table> <table border="1"> <thead> <tr> <th colspan="12">MATERIAL AVAILABILITY - FA152/2</th> </tr> <tr> <th>FA</th> <th>TT</th> <th>V</th> <th>R</th> <th>MXS</th> <th>HH</th> <th>EPFA</th> <th>GPFAX</th> <th>SFA</th> <th>SFAHH</th> <th>SFAC</th> <th>SXR</th> </tr> </thead> <tbody> <tr> <td></td> <td>✓</td> <td></td> <td>✓</td> <td>✓</td> <td></td> <td></td> <td></td> <td></td> <td></td> <td></td> <td></td> </tr> </tbody> </table> <p>FA152 - CANNONDALE, KAWASAKI, SUZUKI, YAMAHA FA152/2 - SUZUKI, YAMAHA</p>	MATERIAL AVAILABILITY - FA152												FA	TT	V	R	MXS	HH	EPFA	GPFAX	SFA	SFAHH	SFAC	SXR		✓		✓	✓								MATERIAL AVAILABILITY - FA152/2												FA	TT	V	R	MXS	HH	EPFA	GPFAX	SFA	SFAHH	SFAC	SXR		✓		✓	✓							
MATERIAL AVAILABILITY - FA152																																																																										
FA	TT	V	R	MXS	HH	EPFA	GPFAX	SFA	SFAHH	SFAC	SXR																																																															
	✓		✓	✓																																																																						
MATERIAL AVAILABILITY - FA152/2																																																																										
FA	TT	V	R	MXS	HH	EPFA	GPFAX	SFA	SFAHH	SFAC	SXR																																																															
	✓		✓	✓																																																																						
<p>FA153 75 x 40.5 x 8mm</p>		<table border="1"> <thead> <tr> <th colspan="12">MATERIAL AVAILABILITY</th> </tr> <tr> <th>FA</th> <th>TT</th> <th>V</th> <th>R</th> <th>MXS</th> <th>HH</th> <th>EPFA</th> <th>GPFAX</th> <th>SFA</th> <th>SFAHH</th> <th>SFAC</th> <th>SXR</th> </tr> </thead> <tbody> <tr> <td>✓</td> <td></td> <td></td> <td></td> <td></td> <td></td> <td></td> <td></td> <td></td> <td></td> <td></td> <td></td> </tr> </tbody> </table> <p>HONDA</p>	MATERIAL AVAILABILITY												FA	TT	V	R	MXS	HH	EPFA	GPFAX	SFA	SFAHH	SFAC	SXR	✓																																															
MATERIAL AVAILABILITY																																																																										
FA	TT	V	R	MXS	HH	EPFA	GPFAX	SFA	SFAHH	SFAC	SXR																																																															
✓																																																																										
<p>FA155 A 37 x 8mm B 39 x 23mm</p>		<table border="1"> <thead> <tr> <th colspan="12">MATERIAL AVAILABILITY</th> </tr> <tr> <th>FA</th> <th>TT</th> <th>V</th> <th>R</th> <th>MXS</th> <th>HH</th> <th>EPFA</th> <th>GPFAX</th> <th>SFA</th> <th>SFAHH</th> <th>SFAC</th> <th>SXR</th> </tr> </thead> <tbody> <tr> <td>✓</td> <td></td> <td></td> <td>✓</td> <td></td> <td></td> <td></td> <td></td> <td></td> <td></td> <td></td> <td></td> </tr> </tbody> </table> <p>YAMAHA</p>	MATERIAL AVAILABILITY												FA	TT	V	R	MXS	HH	EPFA	GPFAX	SFA	SFAHH	SFAC	SXR	✓			✓																																												
MATERIAL AVAILABILITY																																																																										
FA	TT	V	R	MXS	HH	EPFA	GPFAX	SFA	SFAHH	SFAC	SXR																																																															
✓			✓																																																																							

DO NOT REFIT ANY SHIMS/INSULATORS TO EBC PADS FROM ORIGINAL PADS UNLESS INSTRUCTED ON NOTE ON PAD PACKAGING AND ON FA DRAWING ASSOCIATED WITH THAT PAD.

<p>FA156 56 x 45.5 x 6mm</p>		<table border="1"> <thead> <tr> <th colspan="11">MATERIAL AVAILABILITY</th> </tr> <tr> <th>FA</th> <th>TT</th> <th>V</th> <th>R</th> <th>MXS</th> <th>HH</th> <th>EPFA</th> <th>GPFAX</th> <th>SFA</th> <th>SFAHH</th> <th>SFAC</th> <th>SXR</th> </tr> </thead> <tbody> <tr> <td>✓</td> <td></td> <td></td> <td></td> <td></td> <td></td> <td></td> <td></td> <td></td> <td></td> <td></td> <td></td> </tr> </tbody> </table> <p>APRILIA, BETA, CAGIVA</p>	MATERIAL AVAILABILITY											FA	TT	V	R	MXS	HH	EPFA	GPFAX	SFA	SFAHH	SFAC	SXR	✓																																														
MATERIAL AVAILABILITY																																																																								
FA	TT	V	R	MXS	HH	EPFA	GPFAX	SFA	SFAHH	SFAC	SXR																																																													
✓																																																																								
<p>FA157 A 99.5 x 43.5 x 7.5mm B 83 x 47 x 9.5mm</p>	 	<table border="1"> <thead> <tr> <th colspan="11">MATERIAL AVAILABILITY</th> </tr> <tr> <th>FA</th> <th>TT</th> <th>V</th> <th>R</th> <th>MXS</th> <th>HH</th> <th>EPFA</th> <th>GPFAX</th> <th>SFA</th> <th>SFAHH</th> <th>SFAC</th> <th>SXR</th> </tr> </thead> <tbody> <tr> <td>✓</td> <td></td> <td></td> <td>✓</td> <td></td> <td></td> <td></td> <td></td> <td></td> <td></td> <td></td> <td></td> </tr> </tbody> </table> <p>SUZUKI, YAMAHA</p>	MATERIAL AVAILABILITY											FA	TT	V	R	MXS	HH	EPFA	GPFAX	SFA	SFAHH	SFAC	SXR	✓			✓																																											
MATERIAL AVAILABILITY																																																																								
FA	TT	V	R	MXS	HH	EPFA	GPFAX	SFA	SFAHH	SFAC	SXR																																																													
✓			✓																																																																					
<p>FA158 70 x 46.5 x 8mm</p>		<table border="1"> <thead> <tr> <th colspan="11">MATERIAL AVAILABILITY</th> </tr> <tr> <th>FA</th> <th>TT</th> <th>V</th> <th>R</th> <th>MXS</th> <th>HH</th> <th>EPFA</th> <th>GPFAX</th> <th>SFA</th> <th>SFAHH</th> <th>SFAC</th> <th>SXR</th> </tr> </thead> <tbody> <tr> <td>✓</td> <td></td> <td></td> <td></td> <td></td> <td>✓</td> <td>✓</td> <td></td> <td></td> <td></td> <td></td> <td></td> </tr> </tbody> </table> <p>KAWASAKI, SUZUKI, BEHRINGER, MOTOMASTER, PRE TECH, PRO ONE, VERTEMATI</p>	MATERIAL AVAILABILITY											FA	TT	V	R	MXS	HH	EPFA	GPFAX	SFA	SFAHH	SFAC	SXR	✓					✓	✓																																								
MATERIAL AVAILABILITY																																																																								
FA	TT	V	R	MXS	HH	EPFA	GPFAX	SFA	SFAHH	SFAC	SXR																																																													
✓					✓	✓																																																																		
<p>FA159 97.5 x 39.5 x 8mm</p>		<table border="1"> <thead> <tr> <th colspan="11">MATERIAL AVAILABILITY</th> </tr> <tr> <th>FA</th> <th>TT</th> <th>V</th> <th>R</th> <th>MXS</th> <th>HH</th> <th>EPFA</th> <th>GPFAX</th> <th>SFA</th> <th>SFAHH</th> <th>SFAC</th> <th>SXR</th> </tr> </thead> <tbody> <tr> <td></td> <td>✓</td> <td></td> <td>✓</td> <td></td> <td></td> <td></td> <td></td> <td></td> <td></td> <td></td> <td></td> </tr> </tbody> </table> <p>AEON, POLARIS</p>	MATERIAL AVAILABILITY											FA	TT	V	R	MXS	HH	EPFA	GPFAX	SFA	SFAHH	SFAC	SXR		✓		✓																																											
MATERIAL AVAILABILITY																																																																								
FA	TT	V	R	MXS	HH	EPFA	GPFAX	SFA	SFAHH	SFAC	SXR																																																													
	✓		✓																																																																					
<p>FA160 75 x 54 x 10mm</p>		<table border="1"> <thead> <tr> <th colspan="11">MATERIAL AVAILABILITY</th> </tr> <tr> <th>FA</th> <th>TT</th> <th>V</th> <th>R</th> <th>MXS</th> <th>HH</th> <th>EPFA</th> <th>GPFAX</th> <th>SFA</th> <th>SFAHH</th> <th>SFAC</th> <th>SXR</th> </tr> </thead> <tbody> <tr> <td>✓</td> <td></td> <td></td> <td></td> <td></td> <td>✓</td> <td></td> <td></td> <td></td> <td></td> <td></td> <td></td> </tr> </tbody> </table> <p>MZ, YAMAHA</p>	MATERIAL AVAILABILITY											FA	TT	V	R	MXS	HH	EPFA	GPFAX	SFA	SFAHH	SFAC	SXR	✓					✓																																									
MATERIAL AVAILABILITY																																																																								
FA	TT	V	R	MXS	HH	EPFA	GPFAX	SFA	SFAHH	SFAC	SXR																																																													
✓					✓																																																																			
<p>FA161 52.5 x 52.5 x 8mm</p>		<table border="1"> <thead> <tr> <th colspan="11">MATERIAL AVAILABILITY</th> </tr> <tr> <th>FA</th> <th>TT</th> <th>V</th> <th>R</th> <th>MXS</th> <th>HH</th> <th>EPFA</th> <th>GPFAX</th> <th>SFA</th> <th>SFAHH</th> <th>SFAC</th> <th>SXR</th> </tr> </thead> <tbody> <tr> <td>✓</td> <td></td> <td>✓</td> <td></td> <td></td> <td></td> <td>✓</td> <td></td> <td></td> <td></td> <td></td> <td></td> </tr> </tbody> </table> <p>KAWASAKI</p>	MATERIAL AVAILABILITY											FA	TT	V	R	MXS	HH	EPFA	GPFAX	SFA	SFAHH	SFAC	SXR	✓		✓				✓																																								
MATERIAL AVAILABILITY																																																																								
FA	TT	V	R	MXS	HH	EPFA	GPFAX	SFA	SFAHH	SFAC	SXR																																																													
✓		✓				✓																																																																		
<p>FA162 48 x 44.5 x 7.5mm</p>		<table border="1"> <thead> <tr> <th colspan="11">MATERIAL AVAILABILITY</th> </tr> <tr> <th>FA</th> <th>TT</th> <th>V</th> <th>R</th> <th>MXS</th> <th>HH</th> <th>EPFA</th> <th>GPFAX</th> <th>SFA</th> <th>SFAHH</th> <th>SFAC</th> <th>SXR</th> </tr> </thead> <tbody> <tr> <td>✓</td> <td></td> <td></td> <td></td> <td></td> <td></td> <td></td> <td></td> <td></td> <td></td> <td></td> <td></td> </tr> </tbody> </table> <p>YAMAHA</p>	MATERIAL AVAILABILITY											FA	TT	V	R	MXS	HH	EPFA	GPFAX	SFA	SFAHH	SFAC	SXR	✓																																														
MATERIAL AVAILABILITY																																																																								
FA	TT	V	R	MXS	HH	EPFA	GPFAX	SFA	SFAHH	SFAC	SXR																																																													
✓																																																																								
<p>FA163 100 x 52 x 8mm</p>		<table border="1"> <thead> <tr> <th colspan="11">MATERIAL AVAILABILITY</th> </tr> <tr> <th>FA</th> <th>TT</th> <th>V</th> <th>R</th> <th>MXS</th> <th>HH</th> <th>EPFA</th> <th>GPFAX</th> <th>SFA</th> <th>SFAHH</th> <th>SFAC</th> <th>SXR</th> </tr> </thead> <tbody> <tr> <td>✓</td> <td></td> <td></td> <td></td> <td></td> <td></td> <td></td> <td></td> <td></td> <td></td> <td></td> <td></td> </tr> </tbody> </table> <p>CAGIVA, APRILIA, GILERA, MOTO GUZZI</p>	MATERIAL AVAILABILITY											FA	TT	V	R	MXS	HH	EPFA	GPFAX	SFA	SFAHH	SFAC	SXR	✓																																														
MATERIAL AVAILABILITY																																																																								
FA	TT	V	R	MXS	HH	EPFA	GPFAX	SFA	SFAHH	SFAC	SXR																																																													
✓																																																																								
<p>FA164 74.5 x 40.5 x 6.5mm</p>		<table border="1"> <thead> <tr> <th colspan="11">MATERIAL AVAILABILITY</th> </tr> <tr> <th>FA</th> <th>TT</th> <th>V</th> <th>R</th> <th>MXS</th> <th>HH</th> <th>EPFA</th> <th>GPFAX</th> <th>SFA</th> <th>SFAHH</th> <th>SFAC</th> <th>SXR</th> </tr> </thead> <tbody> <tr> <td>✓</td> <td></td> <td></td> <td></td> <td></td> <td></td> <td></td> <td></td> <td></td> <td></td> <td></td> <td></td> </tr> </tbody> </table> <p>BETA</p>	MATERIAL AVAILABILITY											FA	TT	V	R	MXS	HH	EPFA	GPFAX	SFA	SFAHH	SFAC	SXR	✓																																														
MATERIAL AVAILABILITY																																																																								
FA	TT	V	R	MXS	HH	EPFA	GPFAX	SFA	SFAHH	SFAC	SXR																																																													
✓																																																																								
<p>FA165 A 97 x 42 x 7.5mm B 77 x 42 x 7.5mm FA165/2 A 97 x 42 x 9.5mm B 77 x 42 x 8mm</p>	 	<table border="1"> <thead> <tr> <th colspan="11">MATERIAL AVAILABILITY - FA165</th> </tr> <tr> <th>FA</th> <th>TT</th> <th>V</th> <th>R</th> <th>MXS</th> <th>HH</th> <th>EPFA</th> <th>GPFAX</th> <th>SFA</th> <th>SFAHH</th> <th>SFAC</th> <th>SXR</th> </tr> </thead> <tbody> <tr> <td>✓</td> <td>✓</td> <td></td> <td>✓</td> <td>✓</td> <td>✓</td> <td></td> <td></td> <td></td> <td></td> <td>✓</td> <td></td> </tr> </tbody> </table> <table border="1"> <thead> <tr> <th colspan="11">MATERIAL AVAILABILITY - FA165/2</th> </tr> <tr> <th>FA</th> <th>TT</th> <th>V</th> <th>R</th> <th>MXS</th> <th>HH</th> <th>EPFA</th> <th>GPFAX</th> <th>SFA</th> <th>SFAHH</th> <th>SFAC</th> <th>SXR</th> </tr> </thead> <tbody> <tr> <td></td> <td>✓</td> <td></td> <td>✓</td> <td></td> <td></td> <td></td> <td></td> <td></td> <td></td> <td></td> <td></td> </tr> </tbody> </table> <p>FA165 - AEON, APACHE, BLANEY Quads, CAN-AM SIDE X SIDE, CF MOTO, CPI, E-TON QUADS, GOES, JONWAY, KAWASAKI, LEXMOTO, MBK, MOTO-ROMA, QUADZILLA, SINNIS, SUZUKI, TAISHAN, YAMAHA FA165/2, BOMBARDIER, CAGIVA, HYOSUNG, MZ/MUZ, SUZUKI, YAMAHA VOXAN</p>	MATERIAL AVAILABILITY - FA165											FA	TT	V	R	MXS	HH	EPFA	GPFAX	SFA	SFAHH	SFAC	SXR	✓	✓		✓	✓	✓					✓		MATERIAL AVAILABILITY - FA165/2											FA	TT	V	R	MXS	HH	EPFA	GPFAX	SFA	SFAHH	SFAC	SXR		✓		✓								
MATERIAL AVAILABILITY - FA165																																																																								
FA	TT	V	R	MXS	HH	EPFA	GPFAX	SFA	SFAHH	SFAC	SXR																																																													
✓	✓		✓	✓	✓					✓																																																														
MATERIAL AVAILABILITY - FA165/2																																																																								
FA	TT	V	R	MXS	HH	EPFA	GPFAX	SFA	SFAHH	SFAC	SXR																																																													
	✓		✓																																																																					

DO NOT REFIT ANY SHIMS/INSULATORS TO EBC PADS FROM ORIGINAL PADS UNLESS INSTRUCTED ON NOTE ON PAD PACKAGING AND ON FA DRAWING ASSOCIATED WITH THAT PAD.

FA166

99.5 x 47 x 7.5mm



MATERIAL AVAILABILITY

FA	TT	V	R	MXS	HH	EPFA	GPFAX	SFA	SFAHH	SFAC	SXR
✓											

HONDA HM Italy, YAMAHA

FA167

77.5 x 42 x 7.5mm



MATERIAL AVAILABILITY

FA	TT	V	R	MXS	HH	EPFA	GPFAX	SFA	SFAHH	SFAC	SXR
✓					✓						

AJP, APRILIA, BETA, BULTACO, CH RACING, DERBI, EXPLORER, GAS-GAS, GOES, HRD, HUSQVARNA, MH/MOTORHISPANIA, MOTO ROMA, PEUGEOT, RIEJU, SACHS, SHERCO, TOMOS

SFA169

61 x 27 x 7.5mm



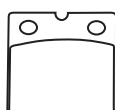
MATERIAL AVAILABILITY

FA	TT	V	R	MXS	HH	EPFA	GPFAX	SFA	SFAHH	SFAC	SXR
								✓	✓	✓	

ADLY, BAOTIAN, BETA, DAELIM, FYM/X-SPORT, GARELLI, HERO HONDA, HYOSUNG, JORDAN, KAWARA, LEM, LEXMOTO, LIFAN, MALAGUTI, MOTO-ROMA, MBK, MZ/MUZ, PEUGEOT, P.G.O, QUADZILLA, SIAMOTO, SINNIS, SUPERBYKE, TERRA MOTO, THUMPSTAR, VIALLI, WUYANG, YAMAHA

FA171

58 x 53.5 x 9mm



MATERIAL AVAILABILITY

FA	TT	V	R	MXS	HH	EPFA	GPFAX	SFA	SFAHH	SFAC	SXR
✓		✓			✓						

BMW, QUADZILLA

FA172

A 104 x 46.5 x 10mm

B 88 x 46 x 10mm



MATERIAL AVAILABILITY

FA	TT	V	R	MXS	HH	EPFA	GPFAX	SFA	SFAHH	SFAC	SXR
	✓		✓								

YAMAHA

FA173

A 85.5 x 42.5 x 7.5mm

B 56 x 34 x 9mm



MATERIAL AVAILABILITY

FA	TT	V	R	MXS	HH	EPFA	GPFAX	SFA	SFAHH	SFAC	SXR
✓								✓			

APRILIA, BETA, CAGIVA, GILERA, MALAGUTI, MBK, MZ/MUZ, YAMAHA

FA174

86 x 40 x 10mm



MATERIAL AVAILABILITY

FA	TT	V	R	MXS	HH	EPFA	GPFAX	SFA	SFAHH	SFAC	SXR
✓		✓			✓						

HONDA, KAWASAKI, SUZUKI, YAMAHA

FA175

33.5 x 51 x 7mm



MATERIAL AVAILABILITY

FA	TT	V	R	MXS	HH	EPFA	GPFAX	SFA	SFAHH	SFAC	SXR
✓					✓						

HARRISON BILLET AFTERMARKET CALIPER, ISR AFTERMARKET CALIPER

FA176

48 x 36.5 x 7.5



MATERIAL AVAILABILITY

FA	TT	V	R	MXS	HH	EPFA	GPFAX	SFA	SFAHH	SFAC	SXR
								✓			

HONDA

FA177

87 x 52 x 7.5mm

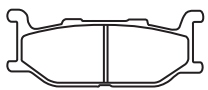
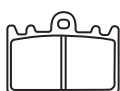

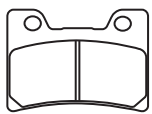



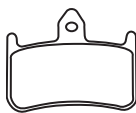
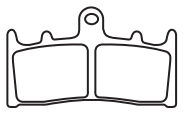
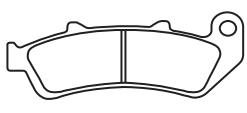
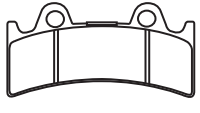


MATERIAL AVAILABILITY

FA	TT	V	R	MXS	HH	EPFA	GPFAX	SFA	SFAHH	SFAC	SXR
✓											

APRILIA, MZ/MUZ

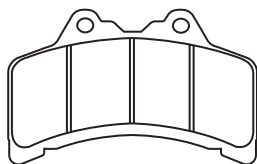
DO NOT REFIT ANY SHIMS/INSULATORS TO EBC PADS FROM ORIGINAL PADS UNLESS INSTRUCTED ON NOTE ON PAD PACKAGING AND ON FA DRAWING ASSOCIATED WITH THAT PAD.

<p>FA179 102 x 41 x 10mm</p>		<table border="1"> <thead> <tr> <th colspan="12">MATERIAL AVAILABILITY</th> </tr> <tr> <th>FA</th> <th>TT</th> <th>V</th> <th>R</th> <th>MXS</th> <th>HH</th> <th>EPFA</th> <th>GPFAX</th> <th>SFA</th> <th>SFAHH</th> <th>SFAC</th> <th>SXR</th> </tr> </thead> <tbody> <tr> <td>✓</td> <td></td> <td>✓</td> <td></td> <td></td> <td>✓</td> <td></td> <td></td> <td>✓</td> <td>✓</td> <td>✓</td> <td></td> </tr> </tbody> </table> <p>CF MOTO, KYMCO, MOTOM, SYM, YAMAHA</p>	MATERIAL AVAILABILITY												FA	TT	V	R	MXS	HH	EPFA	GPFAX	SFA	SFAHH	SFAC	SXR	✓		✓			✓			✓	✓	✓	
MATERIAL AVAILABILITY																																						
FA	TT	V	R	MXS	HH	EPFA	GPFAX	SFA	SFAHH	SFAC	SXR																											
✓		✓			✓			✓	✓	✓																												
<p>FA180 59 x 43.5 x 8mm</p>		<table border="1"> <thead> <tr> <th colspan="12">MATERIAL AVAILABILITY</th> </tr> <tr> <th>FA</th> <th>TT</th> <th>V</th> <th>R</th> <th>MXS</th> <th>HH</th> <th>EPFA</th> <th>GPFAX</th> <th>SFA</th> <th>SFAHH</th> <th>SFAC</th> <th>SXR</th> </tr> </thead> <tbody> <tr> <td>✓</td> <td></td> <td></td> <td></td> <td></td> <td>✓</td> <td></td> <td></td> <td></td> <td></td> <td></td> <td></td> </tr> </tbody> </table> <p>KAWASAKI, SUZUKI, PRE TECH AFTERMARKET CALIPER</p>	MATERIAL AVAILABILITY												FA	TT	V	R	MXS	HH	EPFA	GPFAX	SFA	SFAHH	SFAC	SXR	✓					✓						
MATERIAL AVAILABILITY																																						
FA	TT	V	R	MXS	HH	EPFA	GPFAX	SFA	SFAHH	SFAC	SXR																											
✓					✓																																	
<p>FA181 94 x 36.5 x 7.5mm</p>		<table border="1"> <thead> <tr> <th colspan="12">MATERIAL AVAILABILITY</th> </tr> <tr> <th>FA</th> <th>TT</th> <th>V</th> <th>R</th> <th>MXS</th> <th>HH</th> <th>EPFA</th> <th>GPFAX</th> <th>SFA</th> <th>SFAHH</th> <th>SFAC</th> <th>SXR</th> </tr> </thead> <tbody> <tr> <td></td> <td>✓</td> <td>✓</td> <td>✓</td> <td>✓</td> <td>✓</td> <td>✓</td> <td></td> <td>✓</td> <td>✓</td> <td>✓</td> <td></td> </tr> </tbody> </table> <p>AJP, ALFER, ALTA MOTORS, APRILIA, BAJAJ, BENELLI, BMW, BREMBO, CAGIVA, CCM, CF MOTO, DUCATI, FACTORY, FANTIC, GAS GAS, GAS GAS Pierer Mob, GILERA, HARLEY DAVIDSON, HIGHLAND, HONDA HM Italy, HUSABERG, HUSQVARNA, KAWASAKI, KEEWAY, KRAM-IT KRAMER, KTM, MAICO, MBK, MOTO GUZZI, MOTO MORINI, PEUGEOT, PIAGGIO, RIEJU, ROYAL ENFIELD, SHERCO, SINNIS, STARK ELECTRIC, SUZUKI, S.W.M., TM, TRIUMPH, VECTRIX, VERTEMATI, VOR, YAMAHA, ZERO</p>	MATERIAL AVAILABILITY												FA	TT	V	R	MXS	HH	EPFA	GPFAX	SFA	SFAHH	SFAC	SXR		✓	✓	✓	✓	✓	✓		✓	✓	✓	
MATERIAL AVAILABILITY																																						
FA	TT	V	R	MXS	HH	EPFA	GPFAX	SFA	SFAHH	SFAC	SXR																											
	✓	✓	✓	✓	✓	✓		✓	✓	✓																												
<p>FA182 75 x 54 x 10mm</p>		<table border="1"> <thead> <tr> <th colspan="12">MATERIAL AVAILABILITY</th> </tr> <tr> <th>FA</th> <th>TT</th> <th>V</th> <th>R</th> <th>MXS</th> <th>HH</th> <th>EPFA</th> <th>GPFAX</th> <th>SFA</th> <th>SFAHH</th> <th>SFAC</th> <th>SXR</th> </tr> </thead> <tbody> <tr> <td>✓</td> <td></td> <td></td> <td></td> <td></td> <td>✓</td> <td></td> <td></td> <td></td> <td></td> <td></td> <td></td> </tr> </tbody> </table> <p>YAMAHA</p>	MATERIAL AVAILABILITY												FA	TT	V	R	MXS	HH	EPFA	GPFAX	SFA	SFAHH	SFAC	SXR	✓					✓						
MATERIAL AVAILABILITY																																						
FA	TT	V	R	MXS	HH	EPFA	GPFAX	SFA	SFAHH	SFAC	SXR																											
✓					✓																																	
<p>FA184 30.5 x 46.5 x 7mm</p>		<table border="1"> <thead> <tr> <th colspan="12">MATERIAL AVAILABILITY</th> </tr> <tr> <th>FA</th> <th>TT</th> <th>V</th> <th>R</th> <th>MXS</th> <th>HH</th> <th>EPFA</th> <th>GPFAX</th> <th>SFA</th> <th>SFAHH</th> <th>SFAC</th> <th>SXR</th> </tr> </thead> <tbody> <tr> <td>✓</td> <td></td> <td></td> <td></td> <td></td> <td>✓</td> <td></td> <td>✓</td> <td></td> <td></td> <td></td> <td></td> </tr> </tbody> </table> <p>ISR AFTERMARKET CALIPER</p>	MATERIAL AVAILABILITY												FA	TT	V	R	MXS	HH	EPFA	GPFAX	SFA	SFAHH	SFAC	SXR	✓					✓		✓				
MATERIAL AVAILABILITY																																						
FA	TT	V	R	MXS	HH	EPFA	GPFAX	SFA	SFAHH	SFAC	SXR																											
✓					✓		✓																															
<p>FA185 94 x 33.5 x 7mm</p>		<table border="1"> <thead> <tr> <th colspan="12">MATERIAL AVAILABILITY</th> </tr> <tr> <th>FA</th> <th>TT</th> <th>V</th> <th>R</th> <th>MXS</th> <th>HH</th> <th>EPFA</th> <th>GPFAX</th> <th>SFA</th> <th>SFAHH</th> <th>SFAC</th> <th>SXR</th> </tr> </thead> <tbody> <tr> <td></td> <td>✓</td> <td></td> <td>✓</td> <td>✓</td> <td></td> <td>✓</td> <td></td> <td></td> <td></td> <td></td> <td></td> </tr> </tbody> </table> <p>AJP, ALFER, APRILIA, BETA, CANNONDALE, CPI, FANTIC, GAS-GAS, GOES, HONDA, HONDA, DALL'ARA, HONDA-HM ITALY, KAWASAKI, SUZUKI, YAMAHA, ZERO</p>	MATERIAL AVAILABILITY												FA	TT	V	R	MXS	HH	EPFA	GPFAX	SFA	SFAHH	SFAC	SXR		✓		✓	✓		✓					
MATERIAL AVAILABILITY																																						
FA	TT	V	R	MXS	HH	EPFA	GPFAX	SFA	SFAHH	SFAC	SXR																											
	✓		✓	✓		✓																																
<p>SFA186 31.5 x 51 x 5.5mm</p>		<table border="1"> <thead> <tr> <th colspan="12">MATERIAL AVAILABILITY</th> </tr> <tr> <th>FA</th> <th>TT</th> <th>V</th> <th>R</th> <th>MXS</th> <th>HH</th> <th>EPFA</th> <th>GPFAX</th> <th>SFA</th> <th>SFAHH</th> <th>SFAC</th> <th>SXR</th> </tr> </thead> <tbody> <tr> <td></td> <td></td> <td></td> <td></td> <td></td> <td></td> <td></td> <td></td> <td>✓</td> <td></td> <td>✓</td> <td></td> </tr> </tbody> </table> <p>CAGIVA, LML, PIAGGIO, SUPER SOCO, VESPA</p>	MATERIAL AVAILABILITY												FA	TT	V	R	MXS	HH	EPFA	GPFAX	SFA	SFAHH	SFAC	SXR									✓		✓	
MATERIAL AVAILABILITY																																						
FA	TT	V	R	MXS	HH	EPFA	GPFAX	SFA	SFAHH	SFAC	SXR																											
								✓		✓																												
<p>FA187 68 x 54 x 8mm</p>		<table border="1"> <thead> <tr> <th colspan="12">MATERIAL AVAILABILITY</th> </tr> <tr> <th>FA</th> <th>TT</th> <th>V</th> <th>R</th> <th>MXS</th> <th>HH</th> <th>EPFA</th> <th>GPFAX</th> <th>SFA</th> <th>SFAHH</th> <th>SFAC</th> <th>SXR</th> </tr> </thead> <tbody> <tr> <td>✓</td> <td></td> <td></td> <td></td> <td></td> <td>✓</td> <td>✓</td> <td></td> <td></td> <td></td> <td></td> <td></td> </tr> </tbody> </table> <p>HONDA</p>	MATERIAL AVAILABILITY												FA	TT	V	R	MXS	HH	EPFA	GPFAX	SFA	SFAHH	SFAC	SXR	✓					✓	✓					
MATERIAL AVAILABILITY																																						
FA	TT	V	R	MXS	HH	EPFA	GPFAX	SFA	SFAHH	SFAC	SXR																											
✓					✓	✓																																
<p>FA188 89.5 x 53 x 9mm</p>		<table border="1"> <thead> <tr> <th colspan="12">MATERIAL AVAILABILITY</th> </tr> <tr> <th>FA</th> <th>TT</th> <th>V</th> <th>R</th> <th>MXS</th> <th>HH</th> <th>EPFA</th> <th>GPFAX</th> <th>SFA</th> <th>SFAHH</th> <th>SFAC</th> <th>SXR</th> </tr> </thead> <tbody> <tr> <td>✓</td> <td></td> <td></td> <td></td> <td></td> <td>✓</td> <td>✓</td> <td></td> <td></td> <td></td> <td></td> <td></td> </tr> </tbody> </table> <p>KAWASAKI, SUZUKI, JAYBRAKE</p>	MATERIAL AVAILABILITY												FA	TT	V	R	MXS	HH	EPFA	GPFAX	SFA	SFAHH	SFAC	SXR	✓					✓	✓					
MATERIAL AVAILABILITY																																						
FA	TT	V	R	MXS	HH	EPFA	GPFAX	SFA	SFAHH	SFAC	SXR																											
✓					✓	✓																																
<p>FA189 125.5 x 44 x 9mm</p>		<table border="1"> <thead> <tr> <th colspan="12">MATERIAL AVAILABILITY</th> </tr> <tr> <th>FA</th> <th>TT</th> <th>V</th> <th>R</th> <th>MXS</th> <th>HH</th> <th>EPFA</th> <th>GPFAX</th> <th>SFA</th> <th>SFAHH</th> <th>SFAC</th> <th>SXR</th> </tr> </thead> <tbody> <tr> <td>✓</td> <td></td> <td></td> <td></td> <td></td> <td>✓</td> <td></td> <td></td> <td></td> <td></td> <td></td> <td></td> </tr> </tbody> </table> <p>HONDA</p>	MATERIAL AVAILABILITY												FA	TT	V	R	MXS	HH	EPFA	GPFAX	SFA	SFAHH	SFAC	SXR	✓					✓						
MATERIAL AVAILABILITY																																						
FA	TT	V	R	MXS	HH	EPFA	GPFAX	SFA	SFAHH	SFAC	SXR																											
✓					✓																																	
<p>FA190 99 x 49.5 x 10mm</p>		<table border="1"> <thead> <tr> <th colspan="12">MATERIAL AVAILABILITY</th> </tr> <tr> <th>FA</th> <th>TT</th> <th>V</th> <th>R</th> <th>MXS</th> <th>HH</th> <th>EPFA</th> <th>GPFAX</th> <th>SFA</th> <th>SFAHH</th> <th>SFAC</th> <th>SXR</th> </tr> </thead> <tbody> <tr> <td>✓</td> <td></td> <td>✓</td> <td></td> <td></td> <td>✓</td> <td>✓</td> <td></td> <td></td> <td></td> <td></td> <td></td> </tr> </tbody> </table> <p>TRIUMPH, YAMAHA, PRE TECH AFTERMARKET CALIPER, PERFORMANCE MACHINE</p>	MATERIAL AVAILABILITY												FA	TT	V	R	MXS	HH	EPFA	GPFAX	SFA	SFAHH	SFAC	SXR	✓		✓			✓	✓					
MATERIAL AVAILABILITY																																						
FA	TT	V	R	MXS	HH	EPFA	GPFAX	SFA	SFAHH	SFAC	SXR																											
✓		✓			✓	✓																																

DO NOT REFIT ANY SHIMS/INSULATORS TO EBC PADS FROM ORIGINAL PADS UNLESS INSTRUCTED ON NOTE ON PAD PACKAGING AND ON FA DRAWING ASSOCIATED WITH THAT PAD.

FA191

131.5 x 81 x 9.5mm



MATERIAL AVAILABILITY

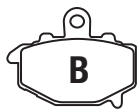
FA	TT	V	R	MXS	HH	EPFA	GPFAX	SFA	SFAHH	SFAC	SXR
✓											

YAMAHA

FA192

A 89.5 x 51 x 8.5mm

B 68 x 52 x 9.5mm



MATERIAL AVAILABILITY

FA	TT	V	R	MXS	HH	EPFA	GPFAX	SFA	SFAHH	SFAC	SXR
✓		✓			✓						

CF MOTO, KAWASAKI, WK

SFA193

39.5 x 49.5 x 7mm



MATERIAL AVAILABILITY

FA	TT	V	R	MXS	HH	EPFA	GPFAX	SFA	SFAHH	SFAC	SXR
								✓	✓	✓	

AJP, APRILIA, ATALA, BENELLI, BETA, CAGIVA, GARELLI, GENERIC/KSR, GILERA, GOVECS ELECTRIC SCOOTERS, HONDA, ITALJET, KEEWAY, MALAGUTI, MBK, MOTRON, PEUGEOT, PGO, PIAGGIO, QUADRA, RIEJU, SUZUKI, YAMAHA

FA194

A 94.5 x 42 x 7.5mm

B 77 x 42 x 7.5mm



MATERIAL AVAILABILITY

FA	TT	V	R	MXS	HH	EPFA	GPFAX	SFA	SFAHH	SFAC	SXR
✓					✓			✓	✓	✓	

AJP, ALFER, APRILIA, BENELLI, BETA, CCM, CPI, DAELIM, DERBI, FACTORY, FANTIC, GAS GAS, GENERIC/KSR, GILERA GRIMECA CALIPERS, HONDA HM Italy, HRD, KEEWAY, MALAGUTI, MBK, MH/MOTORHISPANIA, PEUGEOT, PIAGGIO/VESPA GRIMECA CALIPERS, RIEJU, SACHS, SHERCO, SIAMOTO, YAMAHA

FA196

102 x 39 x 10mm



MATERIAL AVAILABILITY

FA	TT	V	R	MXS	HH	EPFA	GPFAX	SFA	SFAHH	SFAC	SXR
✓		✓			✓	✓		✓	✓	✓	

C EVOLUTION ELECTRIC, BUELL, DAELIM, HARLEY DAVIDSON, HONDA, INDIAN, LEXMOTO, KYMCO, MBK, SUZUKI, SYM, TRIUMPH, VICTORY, W.K. BIKES, YAMAHA

FA197

A 97 x 42 x 9mm

B 77.5 x 42 x 9mm



MATERIAL AVAILABILITY

FA	TT	V	R	MXS	HH	EPFA	GPFAX	SFA	SFAHH	SFAC	SXR
✓					✓	✓	✓	✓	✓	✓	

AJS, BENELLI, HONDA, ARCTIC CAT, BAJAJ, BENELLI, CCM, CPI, DAELIM, GARELLI, GENERIC/KSR, GOES, HARTFORD, HERO HONDA, HP POWER, HYOSUNG, ITALJET, LEXMOTO, MODENAS, SILENCE ELECTRIC SCOOTERS, YAMAHA, KAWASAKI, KEEWAY, KREIDLER, KYMCO, LEONART, MOTOM, MZ/MUZ, NIPPONIA, PEUGEOT, PGO, QUADZILLA, SFM, SINNIS, SYM, SUZUKI, W.K. BIKES, WUYANG, XOR, YAMAHA, ZONTES

FA198

60 Over lugs

x 51.8 x 6mm



MATERIAL AVAILABILITY

FA	TT	V	R	MXS	HH	EPFA	GPFAX	SFA	SFAHH	SFAC	SXR
✓											

CZ / JAWA

FA199

94 x 40.5 x 10mm



MATERIAL AVAILABILITY

FA	TT	V	R	MXS	HH	EPFA	GPFAX	SFA	SFAHH	SFAC	SXR
✓		✓			✓			✓	✓	✓	

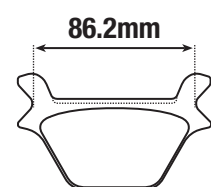
YAMAHA, ADIVA SCOOTERS, ITALJET, LINHAI, MBK, SINNIS

FA200

103 x 62 x 11.5mm



INCLUDES STEEL
SLIDER SHIMS


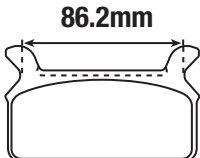


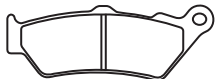









MATERIAL AVAILABILITY

FA	TT	V	R	MXS	HH	EPFA	GPFAX	SFA	SFAHH	SFAC	SXR
✓		✓			✓	✓					

HARLEY DAVIDSON

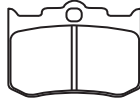
DO NOT REFIT ANY SHIMS/INSULATORS TO EBC PADS FROM ORIGINAL PADS UNLESS INSTRUCTED ON NOTE ON PAD PACKAGING AND ON FA DRAWING ASSOCIATED WITH THAT PAD.

<p>FA201 103 x 62 x 11.5mm</p>  <p>INCLUDES STEEL SLIDER SHIMS</p>	 <p>86.2mm</p>	<table border="1"> <thead> <tr> <th colspan="11">MATERIAL AVAILABILITY</th> </tr> <tr> <th>FA</th> <th>TT</th> <th>V</th> <th>R</th> <th>MXS</th> <th>HH</th> <th>EPFA</th> <th>GPFAX</th> <th>SFA</th> <th>SFAHH</th> <th>SFAC</th> <th>SXR</th> </tr> </thead> <tbody> <tr> <td>✓</td> <td></td> <td>✓</td> <td></td> <td></td> <td></td> <td></td> <td></td> <td></td> <td></td> <td></td> <td></td> </tr> </tbody> </table> <p>HARLEY DAVIDSON</p>	MATERIAL AVAILABILITY											FA	TT	V	R	MXS	HH	EPFA	GPFAX	SFA	SFAHH	SFAC	SXR	✓		✓																																												
MATERIAL AVAILABILITY																																																																								
FA	TT	V	R	MXS	HH	EPFA	GPFAX	SFA	SFAHH	SFAC	SXR																																																													
✓		✓																																																																						
<p>FA203 81 x 42 x 9.5mm</p>		<table border="1"> <thead> <tr> <th colspan="11">MATERIAL AVAILABILITY</th> </tr> <tr> <th>FA</th> <th>TT</th> <th>V</th> <th>R</th> <th>MXS</th> <th>HH</th> <th>EPFA</th> <th>GPFAX</th> <th>SFA</th> <th>SFAHH</th> <th>SFAC</th> <th>SXR</th> </tr> </thead> <tbody> <tr> <td>✓</td> <td></td> <td></td> <td></td> <td></td> <td>✓</td> <td></td> <td></td> <td></td> <td></td> <td></td> <td></td> </tr> </tbody> </table> <p>HONDA</p>	MATERIAL AVAILABILITY											FA	TT	V	R	MXS	HH	EPFA	GPFAX	SFA	SFAHH	SFAC	SXR	✓					✓																																									
MATERIAL AVAILABILITY																																																																								
FA	TT	V	R	MXS	HH	EPFA	GPFAX	SFA	SFAHH	SFAC	SXR																																																													
✓					✓																																																																			
<p>FA208 78 x 41 x 9mm</p>		<table border="1"> <thead> <tr> <th colspan="11">MATERIAL AVAILABILITY</th> </tr> <tr> <th>FA</th> <th>TT</th> <th>V</th> <th>R</th> <th>MXS</th> <th>HH</th> <th>EPFA</th> <th>GPFAX</th> <th>SFA</th> <th>SFAHH</th> <th>SFAC</th> <th>SXR</th> </tr> </thead> <tbody> <tr> <td></td> <td>✓</td> <td></td> <td>✓</td> <td>✓</td> <td></td> <td></td> <td></td> <td></td> <td></td> <td></td> <td></td> </tr> </tbody> </table> <p>AJP, ALFER, APRILIA, BENELLI, CCM, CF MOTO, FACTORY, GAS GAS, HIGHLAND, HRD, HUSABERG, HUSQVARNA, KRAM-IT KRAMER, KTM, MAICO, ROYAL ENFIELD, S.W.M., TM, VERTEMATI, VOR, YAMAHA, ZERO</p>	MATERIAL AVAILABILITY											FA	TT	V	R	MXS	HH	EPFA	GPFAX	SFA	SFAHH	SFAC	SXR		✓		✓	✓																																										
MATERIAL AVAILABILITY																																																																								
FA	TT	V	R	MXS	HH	EPFA	GPFAX	SFA	SFAHH	SFAC	SXR																																																													
	✓		✓	✓																																																																				
<p>FA209/2 108.5 x 40.5 x 7.5mm</p>		<table border="1"> <thead> <tr> <th colspan="11">MATERIAL AVAILABILITY</th> </tr> <tr> <th>FA</th> <th>TT</th> <th>V</th> <th>R</th> <th>MXS</th> <th>HH</th> <th>EPFA</th> <th>GPFAX</th> <th>SFA</th> <th>SFAHH</th> <th>SFAC</th> <th>SXR</th> </tr> </thead> <tbody> <tr> <td>✓</td> <td></td> <td>✓</td> <td></td> <td></td> <td>✓</td> <td>✓</td> <td></td> <td>✓</td> <td>✓</td> <td></td> <td></td> </tr> </tbody> </table> <p>AJP, APRILIA, BENELLI, BENELLI, BIMOTA, BMW, BRAMMO, CCM, CFMOTO, DUCATI, GAS GAS, HARLEY DAVIDSON, HONDA, HUSQVARNA, INDIAN, ITALJET, KTM, MOTO GUZZI, MOTO MORINI, ROYAL ENFIELD, SWM, TRIUMPH, VICTORY, YAMAHA, ZERO</p>	MATERIAL AVAILABILITY											FA	TT	V	R	MXS	HH	EPFA	GPFAX	SFA	SFAHH	SFAC	SXR	✓		✓			✓	✓		✓	✓																																					
MATERIAL AVAILABILITY																																																																								
FA	TT	V	R	MXS	HH	EPFA	GPFAX	SFA	SFAHH	SFAC	SXR																																																													
✓		✓			✓	✓		✓	✓																																																															
<p>FA210 112 x 56.5 x 10mm</p>		<table border="1"> <thead> <tr> <th colspan="11">MATERIAL AVAILABILITY</th> </tr> <tr> <th>FA</th> <th>TT</th> <th>V</th> <th>R</th> <th>MXS</th> <th>HH</th> <th>EPFA</th> <th>GPFAX</th> <th>SFA</th> <th>SFAHH</th> <th>SFAC</th> <th>SXR</th> </tr> </thead> <tbody> <tr> <td>✓</td> <td></td> <td>✓</td> <td></td> <td></td> <td></td> <td></td> <td></td> <td></td> <td></td> <td></td> <td></td> </tr> </tbody> </table> <p>BUELL, PERFORMANCE MACHINE AFTERMARKET CALIPER</p>	MATERIAL AVAILABILITY											FA	TT	V	R	MXS	HH	EPFA	GPFAX	SFA	SFAHH	SFAC	SXR	✓		✓																																												
MATERIAL AVAILABILITY																																																																								
FA	TT	V	R	MXS	HH	EPFA	GPFAX	SFA	SFAHH	SFAC	SXR																																																													
✓		✓																																																																						
<p>FA211 78 x 45.5 x 9mm</p>		<table border="1"> <thead> <tr> <th colspan="11">MATERIAL AVAILABILITY</th> </tr> <tr> <th>FA</th> <th>TT</th> <th>V</th> <th>R</th> <th>MXS</th> <th>HH</th> <th>EPFA</th> <th>GPFAX</th> <th>SFA</th> <th>SFAHH</th> <th>SFAC</th> <th>SXR</th> </tr> </thead> <tbody> <tr> <td>✓</td> <td></td> <td></td> <td></td> <td></td> <td></td> <td>✓</td> <td></td> <td></td> <td></td> <td></td> <td></td> </tr> </tbody> </table> <p>PVM AFTERMARKET CALIPER</p>	MATERIAL AVAILABILITY											FA	TT	V	R	MXS	HH	EPFA	GPFAX	SFA	SFAHH	SFAC	SXR	✓						✓																																								
MATERIAL AVAILABILITY																																																																								
FA	TT	V	R	MXS	HH	EPFA	GPFAX	SFA	SFAHH	SFAC	SXR																																																													
✓						✓																																																																		
<p>FA213 78 x 41.5 x 9mm</p>		<table border="1"> <thead> <tr> <th colspan="11">MATERIAL AVAILABILITY</th> </tr> <tr> <th>FA</th> <th>TT</th> <th>V</th> <th>R</th> <th>MXS</th> <th>HH</th> <th>EPFA</th> <th>GPFAX</th> <th>SFA</th> <th>SFAHH</th> <th>SFAC</th> <th>SXR</th> </tr> </thead> <tbody> <tr> <td>✓</td> <td></td> <td>✓</td> <td></td> <td></td> <td>✓</td> <td>✓</td> <td></td> <td>✓</td> <td>✓</td> <td></td> <td></td> </tr> </tbody> </table> <p>APRILIA, BAJAJ, BENELLI, BETA, BMW, BORILE, CCM, DUCATI, FANTIC, HONDA, H P POWER, HUSQVARNA, INDIAN, KTM, MASH, ROYAL ENFIELD, SWM, TRIUMPH, YAMAHA, VICTORY, ZERO</p>	MATERIAL AVAILABILITY											FA	TT	V	R	MXS	HH	EPFA	GPFAX	SFA	SFAHH	SFAC	SXR	✓		✓			✓	✓		✓	✓																																					
MATERIAL AVAILABILITY																																																																								
FA	TT	V	R	MXS	HH	EPFA	GPFAX	SFA	SFAHH	SFAC	SXR																																																													
✓		✓			✓	✓		✓	✓																																																															
<p>FA214 A 96.5 x 43.5 x 7.5mm B 77 x 43.5 x 8mm</p> <p>FA214/2 A 96.5 x 43.5 x 9.5mm B 77 x 43.5 x 8mm</p>	 <p>A</p>  <p>B</p>	<table border="1"> <thead> <tr> <th colspan="11">MATERIAL AVAILABILITY - FA214</th> </tr> <tr> <th>FA</th> <th>TT</th> <th>V</th> <th>R</th> <th>MXS</th> <th>HH</th> <th>EPFA</th> <th>GPFAX</th> <th>SFA</th> <th>SFAHH</th> <th>SFAC</th> <th>SXR</th> </tr> </thead> <tbody> <tr> <td>✓</td> <td></td> <td>✓</td> <td></td> <td></td> <td>✓</td> <td></td> <td></td> <td></td> <td></td> <td></td> <td></td> </tr> </tbody> </table> <table border="1"> <thead> <tr> <th colspan="11">MATERIAL AVAILABILITY - FA214/2</th> </tr> <tr> <th>FA</th> <th>TT</th> <th>V</th> <th>R</th> <th>MXS</th> <th>HH</th> <th>EPFA</th> <th>GPFAX</th> <th>SFA</th> <th>SFAHH</th> <th>SFAC</th> <th>SXR</th> </tr> </thead> <tbody> <tr> <td>✓</td> <td></td> <td>✓</td> <td></td> <td></td> <td>✓</td> <td></td> <td></td> <td></td> <td></td> <td></td> <td></td> </tr> </tbody> </table> <p>FA214 - TRIUMPH FA214/2 - TRIUMPH</p>	MATERIAL AVAILABILITY - FA214											FA	TT	V	R	MXS	HH	EPFA	GPFAX	SFA	SFAHH	SFAC	SXR	✓		✓			✓							MATERIAL AVAILABILITY - FA214/2											FA	TT	V	R	MXS	HH	EPFA	GPFAX	SFA	SFAHH	SFAC	SXR	✓		✓			✓						
MATERIAL AVAILABILITY - FA214																																																																								
FA	TT	V	R	MXS	HH	EPFA	GPFAX	SFA	SFAHH	SFAC	SXR																																																													
✓		✓			✓																																																																			
MATERIAL AVAILABILITY - FA214/2																																																																								
FA	TT	V	R	MXS	HH	EPFA	GPFAX	SFA	SFAHH	SFAC	SXR																																																													
✓		✓			✓																																																																			
<p>FA215 A 96.5 x 43.5 x 7.5mm B 77 x 43.5 x 8mm</p> <p>FA215/2 A 96.5 x 43.5 x 9.5mm B 77 x 43.5 x 8mm</p>	 <p>A</p>  <p>B</p>	<table border="1"> <thead> <tr> <th colspan="11">MATERIAL AVAILABILITY - FA215</th> </tr> <tr> <th>FA</th> <th>TT</th> <th>V</th> <th>R</th> <th>MXS</th> <th>HH</th> <th>EPFA</th> <th>GPFAX</th> <th>SFA</th> <th>SFAHH</th> <th>SFAC</th> <th>SXR</th> </tr> </thead> <tbody> <tr> <td>✓</td> <td></td> <td>✓</td> <td></td> <td></td> <td>✓</td> <td></td> <td></td> <td></td> <td></td> <td></td> <td></td> </tr> </tbody> </table> <table border="1"> <thead> <tr> <th colspan="11">MATERIAL AVAILABILITY - FA215/2</th> </tr> <tr> <th>FA</th> <th>TT</th> <th>V</th> <th>R</th> <th>MXS</th> <th>HH</th> <th>EPFA</th> <th>GPFAX</th> <th>SFA</th> <th>SFAHH</th> <th>SFAC</th> <th>SXR</th> </tr> </thead> <tbody> <tr> <td>✓</td> <td></td> <td>✓</td> <td></td> <td></td> <td>✓</td> <td></td> <td></td> <td></td> <td></td> <td></td> <td></td> </tr> </tbody> </table> <p>FA215 - TRIUMPH FA215/2 - TRIUMPH</p>	MATERIAL AVAILABILITY - FA215											FA	TT	V	R	MXS	HH	EPFA	GPFAX	SFA	SFAHH	SFAC	SXR	✓		✓			✓							MATERIAL AVAILABILITY - FA215/2											FA	TT	V	R	MXS	HH	EPFA	GPFAX	SFA	SFAHH	SFAC	SXR	✓		✓			✓						
MATERIAL AVAILABILITY - FA215																																																																								
FA	TT	V	R	MXS	HH	EPFA	GPFAX	SFA	SFAHH	SFAC	SXR																																																													
✓		✓			✓																																																																			
MATERIAL AVAILABILITY - FA215/2																																																																								
FA	TT	V	R	MXS	HH	EPFA	GPFAX	SFA	SFAHH	SFAC	SXR																																																													
✓		✓			✓																																																																			

DO NOT REFIT ANY SHIMS/INSULATORS TO EBC PADS FROM ORIGINAL PADS UNLESS INSTRUCTED ON NOTE ON PAD PACKAGING AND ON FA DRAWING ASSOCIATED WITH THAT PAD.

FA216/2

69 x 50.5 x 10.5mm



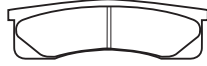
MATERIAL AVAILABILITY - FA216/2											
FA	TT	V	R	MXS	HH	EPFA	GPFAX	SFA	SFAHH	SFAC	SXR
✓					✓						

MATERIAL AVAILABILITY - FA216/3											
FA	TT	V	R	MXS	HH	EPFA	GPFAX	SFA	SFAHH	SFAC	SXR
✓		✓			✓						

FA216/2 - EBC AFTERMARKET CALIPER, PERFORMANCE MACHINE AFTERMARKET CALIPER
FA216/3 - HHI - Hawg Halters, INDIAN, NOVA/LEGENDS, PERFORMANCE MACHINE, REVTECH, THUNDERHEART

FA217

106 x 31.5 x 8.5mm

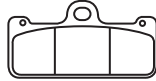


MATERIAL AVAILABILITY											
FA	TT	V	R	MXS	HH	EPFA	GPFAX	SFA	SFAHH	SFAC	SXR
✓											

AP/LOCKHEED, REVTECH

FA218

77.5 x 40.5 x 9.5mm



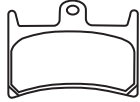
MATERIAL AVAILABILITY - FA218											
FA	TT	V	R	MXS	HH	EPFA	GPFAX	SFA	SFAHH	SFAC	SXR
						✓					

MATERIAL AVAILABILITY - FA218/2											
FA	TT	V	R	MXS	HH	EPFA	GPFAX	SFA	SFAHH	SFAC	SXR
						✓					

FA218 - BREMBO AFTERMARKET CALIPER, S.W.M., TM
FA218/2 - BREMBO AFTERMARKET CALIPER

FA220

69 x 50.5 x 8.5mm

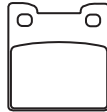


MATERIAL AVAILABILITY											
FA	TT	V	R	MXS	HH	EPFA	GPFAX	SFA	SFAHH	SFAC	SXR
✓											

YAMAHA

FA222

52.5 x 56.5 x 9mm



MATERIAL AVAILABILITY											
FA	TT	V	R	MXS	HH	EPFA	GPFAX	SFA	SFAHH	SFAC	SXR
✓											

SUZUKI

FA226

102 x 39 x 9mm



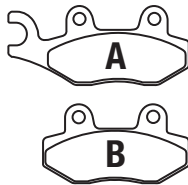
MATERIAL AVAILABILITY											
FA	TT	V	R	MXS	HH	EPFA	GPFAX	SFA	SFAHH	SFAC	SXR
✓					✓	✓					

HONDA, KAWASAKI, SUZUKI, TRIUMPH

FA228

A 96.5 x 43.5 x 9mm

B 77.5 x 43.5 x 9mm



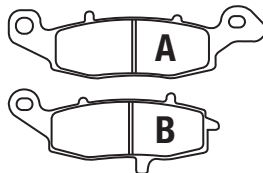
MATERIAL AVAILABILITY											
FA	TT	V	R	MXS	HH	EPFA	GPFAX	SFA	SFAHH	SFAC	SXR
✓					✓			✓		✓	

AEON, APRILIA, ASPES, BENELLI, CF MOTO, DAELIM, GENERIC/KSR, HARTFORD, HONDA, HYOSUNG, KAWASAKI, KEEWAY, KREIDLER, KYMCO, MALAGUTI, MASH, MZ/MUZ, NIPPONIA, PEUGEOT, QUADZILLA, ROYAL ENFIELD, SINNIS, SUZUKI, SFM, SYM, TRIUMPH, VECTRIX, VIALLI W.K. BIKES, YAMAHA

FA229

A 133.5 x 37.5 x 8.5mm

B 110 x 44.5 x 8.5mm



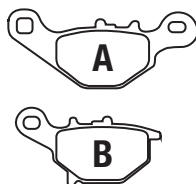
MATERIAL AVAILABILITY											
FA	TT	V	R	MXS	HH	EPFA	GPFAX	SFA	SFAHH	SFAC	SXR
✓		✓			✓	✓					

CF MOTO, KAWASAKI, SUZUKI, WK

FA230

A 99 x 39.5 x 7.5mm

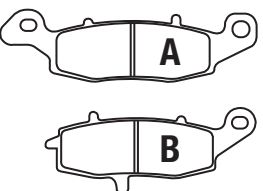
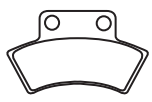

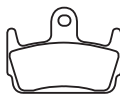
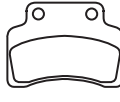
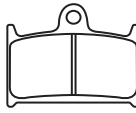
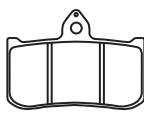
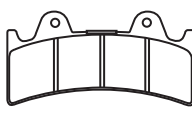
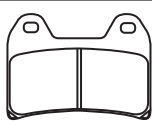
B 75 x 40.5 x 8mm



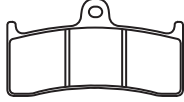
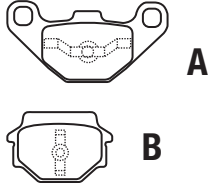
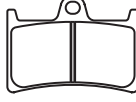
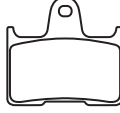




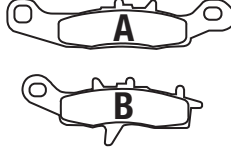

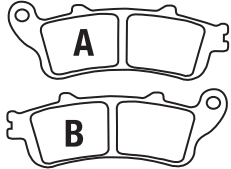
MATERIAL AVAILABILITY											
FA	TT	V	R	MXS	HH	EPFA	GPFAX	SFA	SFAHH	SFAC	SXR
	✓		✓								

KAWASAKI, SUZUKI

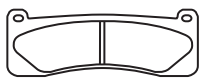




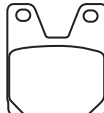





DO NOT REFIT ANY SHIMS/INSULATORS TO EBC PADS FROM ORIGINAL PADS UNLESS INSTRUCTED ON NOTE ON PAD PACKAGING AND ON FA DRAWING ASSOCIATED WITH THAT PAD.

<p>FA231 A 133.5 x 37.5 x 8.5mm B 110 x 44.5 x 8.5mm FA231/2 A 133.5 x 37.5 x 10.5mm B 110 x 44.5 x 10.5mm FA231/3 A 133.5 x 37.5 x 11.5mm B 110 x 44.5 x 11.5mm</p>		<table border="1"> <thead> <tr> <th colspan="11">MATERIAL AVAILABILITY - FA231</th> </tr> <tr> <th>FA</th><th>TT</th><th>V</th><th>R</th><th>MXS</th><th>HH</th><th>EPFA</th><th>GPFAX</th><th>SFA</th><th>SFAHH</th><th>SFAC</th><th>SXR</th> </tr> </thead> <tbody> <tr> <td>✓</td><td></td><td>✓</td><td></td><td></td><td>✓</td><td>✓</td><td></td><td></td><td></td><td></td><td></td> </tr> </tbody> </table> <table border="1"> <thead> <tr> <th colspan="11">MATERIAL AVAILABILITY - FA231/2</th> </tr> <tr> <th>FA</th><th>TT</th><th>V</th><th>R</th><th>MXS</th><th>HH</th><th>EPFA</th><th>GPFAX</th><th>SFA</th><th>SFAHH</th><th>SFAC</th><th>SXR</th> </tr> </thead> <tbody> <tr> <td>✓</td><td></td><td>✓</td><td></td><td></td><td></td><td></td><td></td><td></td><td></td><td></td><td></td> </tr> </tbody> </table> <table border="1"> <thead> <tr> <th colspan="11">MATERIAL AVAILABILITY - FA231/3</th> </tr> <tr> <th>FA</th><th>TT</th><th>V</th><th>R</th><th>MXS</th><th>HH</th><th>EPFA</th><th>GPFAX</th><th>SFA</th><th>SFAHH</th><th>SFAC</th><th>SXR</th> </tr> </thead> <tbody> <tr> <td>✓</td><td></td><td>✓</td><td></td><td></td><td></td><td></td><td></td><td></td><td></td><td></td><td></td> </tr> </tbody> </table> <p>C F MOTO, KAWASAKI, SUZUKI, H P POWER, WK FA231/2 - KAWASAKI, SUZUKI FA231/3 - KAWASAKI, SUZUKI</p> <p>H = REAR FA231/2V @10.7MM (HH USE FA231HH) S = REAR FA231/3V @ 11.4MM (HH USE FA231HH)</p>	MATERIAL AVAILABILITY - FA231											FA	TT	V	R	MXS	HH	EPFA	GPFAX	SFA	SFAHH	SFAC	SXR	✓		✓			✓	✓						MATERIAL AVAILABILITY - FA231/2											FA	TT	V	R	MXS	HH	EPFA	GPFAX	SFA	SFAHH	SFAC	SXR	✓		✓										MATERIAL AVAILABILITY - FA231/3											FA	TT	V	R	MXS	HH	EPFA	GPFAX	SFA	SFAHH	SFAC	SXR	✓		✓									
MATERIAL AVAILABILITY - FA231																																																																																																											
FA	TT	V	R	MXS	HH	EPFA	GPFAX	SFA	SFAHH	SFAC	SXR																																																																																																
✓		✓			✓	✓																																																																																																					
MATERIAL AVAILABILITY - FA231/2																																																																																																											
FA	TT	V	R	MXS	HH	EPFA	GPFAX	SFA	SFAHH	SFAC	SXR																																																																																																
✓		✓																																																																																																									
MATERIAL AVAILABILITY - FA231/3																																																																																																											
FA	TT	V	R	MXS	HH	EPFA	GPFAX	SFA	SFAHH	SFAC	SXR																																																																																																
✓		✓																																																																																																									
<p>FA232 72.5 x 43.5 x 7mm</p> <p>POLARIS All disc rear brake models - check application pages for main fitments. This pad has increased friction area. Can be fitted in place of FA178 to improve wear life on Polaris ATV's</p>		<table border="1"> <thead> <tr> <th colspan="11">MATERIAL AVAILABILITY</th> </tr> <tr> <th>FA</th><th>TT</th><th>V</th><th>R</th><th>MXS</th><th>HH</th><th>EPFA</th><th>GPFAX</th><th>SFA</th><th>SFAHH</th><th>SFAC</th><th>SXR</th> </tr> </thead> <tbody> <tr> <td></td><td>✓</td><td></td><td>✓</td><td></td><td></td><td></td><td></td><td></td><td></td><td></td><td></td> </tr> </tbody> </table> <p>APACHE, CF MOTO, POLARIS, JORDAN, QUADZILLA</p>	MATERIAL AVAILABILITY											FA	TT	V	R	MXS	HH	EPFA	GPFAX	SFA	SFAHH	SFAC	SXR		✓		✓																																																																														
MATERIAL AVAILABILITY																																																																																																											
FA	TT	V	R	MXS	HH	EPFA	GPFAX	SFA	SFAHH	SFAC	SXR																																																																																																
	✓		✓																																																																																																								
<p>SFA233 75 x 37 x 9.5mm</p>		<table border="1"> <thead> <tr> <th colspan="11">MATERIAL AVAILABILITY</th> </tr> <tr> <th>FA</th><th>TT</th><th>V</th><th>R</th><th>MXS</th><th>HH</th><th>EPFA</th><th>GPFAX</th><th>SFA</th><th>SFAHH</th><th>SFAC</th><th>SXR</th> </tr> </thead> <tbody> <tr> <td></td><td></td><td></td><td></td><td></td><td></td><td></td><td></td><td>✓</td><td></td><td></td><td></td> </tr> </tbody> </table> <p>DAELIM, KYMCO, SACHS</p>	MATERIAL AVAILABILITY											FA	TT	V	R	MXS	HH	EPFA	GPFAX	SFA	SFAHH	SFAC	SXR									✓																																																																									
MATERIAL AVAILABILITY																																																																																																											
FA	TT	V	R	MXS	HH	EPFA	GPFAX	SFA	SFAHH	SFAC	SXR																																																																																																
								✓																																																																																																			
<p>FA234 59 x 44.5 x 9.5mm</p>		<table border="1"> <thead> <tr> <th colspan="11">MATERIAL AVAILABILITY</th> </tr> <tr> <th>FA</th><th>TT</th><th>V</th><th>R</th><th>MXS</th><th>HH</th><th>EPFA</th><th>GPFAX</th><th>SFA</th><th>SFAHH</th><th>SFAC</th><th>SXR</th> </tr> </thead> <tbody> <tr> <td></td><td></td><td></td><td></td><td></td><td></td><td></td><td></td><td>✓</td><td></td><td></td><td></td> </tr> </tbody> </table> <p>HONDA, KYMCO, SYM</p>	MATERIAL AVAILABILITY											FA	TT	V	R	MXS	HH	EPFA	GPFAX	SFA	SFAHH	SFAC	SXR									✓																																																																									
MATERIAL AVAILABILITY																																																																																																											
FA	TT	V	R	MXS	HH	EPFA	GPFAX	SFA	SFAHH	SFAC	SXR																																																																																																
								✓																																																																																																			
<p>SFA235 60 x 44 x 9mm</p>		<table border="1"> <thead> <tr> <th colspan="11">MATERIAL AVAILABILITY</th> </tr> <tr> <th>FA</th><th>TT</th><th>V</th><th>R</th><th>MXS</th><th>HH</th><th>EPFA</th><th>GPFAX</th><th>SFA</th><th>SFAHH</th><th>SFAC</th><th>SXR</th> </tr> </thead> <tbody> <tr> <td></td><td></td><td></td><td></td><td></td><td></td><td></td><td></td><td>✓</td><td></td><td>✓</td><td></td> </tr> </tbody> </table> <p>AJS, BAOTAIN, BEELINE, BENELLI, BRANSON, CAGIVA, CPI, CSR, GARELLI, GENERIC/KSR, GOES, H P POWER, ITALJET, KEEWAY, KM KEEN MOTORBIKES, KREIDLER, KYMCO, MASH, MOTOM, MOTO ROMA, PEUGEOT, RIEJU, SACHS, SFM, SINNIS, TAMORETTI, W K BIKES</p>	MATERIAL AVAILABILITY											FA	TT	V	R	MXS	HH	EPFA	GPFAX	SFA	SFAHH	SFAC	SXR									✓		✓																																																																							
MATERIAL AVAILABILITY																																																																																																											
FA	TT	V	R	MXS	HH	EPFA	GPFAX	SFA	SFAHH	SFAC	SXR																																																																																																
								✓		✓																																																																																																	
<p>FA236 70 x 55 x 8.5mm</p>		<table border="1"> <thead> <tr> <th colspan="11">MATERIAL AVAILABILITY</th> </tr> <tr> <th>FA</th><th>TT</th><th>V</th><th>R</th><th>MXS</th><th>HH</th><th>EPFA</th><th>GPFAX</th><th>SFA</th><th>SFAHH</th><th>SFAC</th><th>SXR</th> </tr> </thead> <tbody> <tr> <td>✓</td><td></td><td></td><td></td><td></td><td>✓</td><td></td><td></td><td></td><td></td><td></td><td></td> </tr> </tbody> </table> <p>TRIUMPH</p>	MATERIAL AVAILABILITY											FA	TT	V	R	MXS	HH	EPFA	GPFAX	SFA	SFAHH	SFAC	SXR	✓					✓																																																																												
MATERIAL AVAILABILITY																																																																																																											
FA	TT	V	R	MXS	HH	EPFA	GPFAX	SFA	SFAHH	SFAC	SXR																																																																																																
✓					✓																																																																																																						
<p>FA239 69.5 x 52 x 8mm</p>		<table border="1"> <thead> <tr> <th colspan="11">MATERIAL AVAILABILITY</th> </tr> <tr> <th>FA</th><th>TT</th><th>V</th><th>R</th><th>MXS</th><th>HH</th><th>EPFA</th><th>GPFAX</th><th>SFA</th><th>SFAHH</th><th>SFAC</th><th>SXR</th> </tr> </thead> <tbody> <tr> <td>✓</td><td></td><td></td><td></td><td></td><td></td><td>✓</td><td></td><td></td><td></td><td></td><td></td> </tr> </tbody> </table> <p>HONDA RACE BIKES</p>	MATERIAL AVAILABILITY											FA	TT	V	R	MXS	HH	EPFA	GPFAX	SFA	SFAHH	SFAC	SXR	✓						✓																																																																											
MATERIAL AVAILABILITY																																																																																																											
FA	TT	V	R	MXS	HH	EPFA	GPFAX	SFA	SFAHH	SFAC	SXR																																																																																																
✓						✓																																																																																																					
<p>FA243 98.5 x 49.5 x 8.5mm</p>		<table border="1"> <thead> <tr> <th colspan="11">MATERIAL AVAILABILITY</th> </tr> <tr> <th>FA</th><th>TT</th><th>V</th><th>R</th><th>MXS</th><th>HH</th><th>EPFA</th><th>GPFAX</th><th>SFA</th><th>SFAHH</th><th>SFAC</th><th>SXR</th> </tr> </thead> <tbody> <tr> <td>✓</td><td></td><td></td><td></td><td></td><td>✓</td><td></td><td></td><td></td><td></td><td></td><td></td> </tr> </tbody> </table> <p>JAYBRAKE CALIPERS</p>	MATERIAL AVAILABILITY											FA	TT	V	R	MXS	HH	EPFA	GPFAX	SFA	SFAHH	SFAC	SXR	✓					✓																																																																												
MATERIAL AVAILABILITY																																																																																																											
FA	TT	V	R	MXS	HH	EPFA	GPFAX	SFA	SFAHH	SFAC	SXR																																																																																																
✓					✓																																																																																																						
<p>FA244 75 x 55 x 8.5mm</p>		<table border="1"> <thead> <tr> <th colspan="11">MATERIAL AVAILABILITY</th> </tr> <tr> <th>FA</th><th>TT</th><th>V</th><th>R</th><th>MXS</th><th>HH</th><th>EPFA</th><th>GPFAX</th><th>SFA</th><th>SFAHH</th><th>SFAC</th><th>SXR</th> </tr> </thead> <tbody> <tr> <td>✓</td><td></td><td>✓</td><td></td><td></td><td>✓</td><td>✓</td><td>✓</td><td></td><td></td><td></td><td></td> </tr> </tbody> </table> <p>ALTA MOTORS, APRILIA, BIMOTA, BENELLI, BMW, BRAMMO, BREMBO, CAGIVA, CF MOTO, DUCATI, GENERIC, HONDA, HOREX, HUSQVARNA, KEEWAY, KTM, LEXMOTO, MAGNI, MOTO GUZZI, MOTO MORINI, MV AGUSTA, NORTON, SCORPA, SUZUKI, TRIUMPH, URAL, VICTORY, VOXAN, YAMAHA, ZERO, ZONTES</p>	MATERIAL AVAILABILITY											FA	TT	V	R	MXS	HH	EPFA	GPFAX	SFA	SFAHH	SFAC	SXR	✓		✓			✓	✓	✓																																																																										
MATERIAL AVAILABILITY																																																																																																											
FA	TT	V	R	MXS	HH	EPFA	GPFAX	SFA	SFAHH	SFAC	SXR																																																																																																
✓		✓			✓	✓	✓																																																																																																				







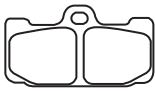
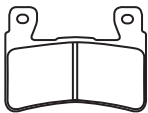
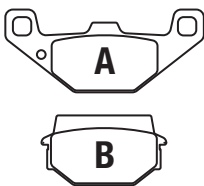


DO NOT REFIT ANY SHIMS/INSULATORS TO EBC PADS FROM ORIGINAL PADS UNLESS INSTRUCTED ON NOTE ON PAD PACKAGING AND ON FA DRAWING ASSOCIATED WITH THAT PAD.

<p>FA249 91.5 x 51.5 x 10mm</p>		<table border="1"> <thead> <tr> <th colspan="11">MATERIAL AVAILABILITY</th> </tr> <tr> <th>FA</th> <th>TT</th> <th>V</th> <th>R</th> <th>MXS</th> <th>HH</th> <th>EPFA</th> <th>GPFAX</th> <th>SFA</th> <th>SFAHH</th> <th>SFAC</th> <th>SXR</th> </tr> </thead> <tbody> <tr> <td>✓</td> <td></td> <td></td> <td></td> <td></td> <td>✓</td> <td></td> <td></td> <td></td> <td></td> <td></td> <td></td> </tr> </tbody> </table> <p>BEHRINGER, PERFORMANCE MACHINE, PRE TECH, THUNDERHEART</p>	MATERIAL AVAILABILITY											FA	TT	V	R	MXS	HH	EPFA	GPFAX	SFA	SFAHH	SFAC	SXR	✓					✓																																									
MATERIAL AVAILABILITY																																																																								
FA	TT	V	R	MXS	HH	EPFA	GPFAX	SFA	SFAHH	SFAC	SXR																																																													
✓					✓																																																																			
<p>FA251 A 85 x 42.5 x 8mm B 55.5 x 37 x 10mm</p>		<table border="1"> <thead> <tr> <th colspan="11">MATERIAL AVAILABILITY</th> </tr> <tr> <th>FA</th> <th>TT</th> <th>V</th> <th>R</th> <th>MXS</th> <th>HH</th> <th>EPFA</th> <th>GPFAX</th> <th>SFA</th> <th>SFAHH</th> <th>SFAC</th> <th>SXR</th> </tr> </thead> <tbody> <tr> <td>✓</td> <td></td> <td></td> <td></td> <td></td> <td></td> <td></td> <td></td> <td></td> <td></td> <td></td> <td></td> </tr> </tbody> </table> <p>BUELL, HUSABERG, HUSQVARNA</p>	MATERIAL AVAILABILITY											FA	TT	V	R	MXS	HH	EPFA	GPFAX	SFA	SFAHH	SFAC	SXR	✓																																														
MATERIAL AVAILABILITY																																																																								
FA	TT	V	R	MXS	HH	EPFA	GPFAX	SFA	SFAHH	SFAC	SXR																																																													
✓																																																																								
<p>FA252 69.5 x 51.5 x 8.5mm</p>		<table border="1"> <thead> <tr> <th colspan="11">MATERIAL AVAILABILITY</th> </tr> <tr> <th>FA</th> <th>TT</th> <th>V</th> <th>R</th> <th>MXS</th> <th>HH</th> <th>EPFA</th> <th>GPFAX</th> <th>SFA</th> <th>SFAHH</th> <th>SFAC</th> <th>SXR</th> </tr> </thead> <tbody> <tr> <td>✓</td> <td></td> <td></td> <td></td> <td></td> <td>✓</td> <td>✓</td> <td></td> <td>✓</td> <td>✓</td> <td>✓</td> <td></td> </tr> </tbody> </table> <p>YAMAHA</p>	MATERIAL AVAILABILITY											FA	TT	V	R	MXS	HH	EPFA	GPFAX	SFA	SFAHH	SFAC	SXR	✓					✓	✓		✓	✓	✓																																				
MATERIAL AVAILABILITY																																																																								
FA	TT	V	R	MXS	HH	EPFA	GPFAX	SFA	SFAHH	SFAC	SXR																																																													
✓					✓	✓		✓	✓	✓																																																														
<p>FA254 60 x 57 x 8mm</p>		<table border="1"> <thead> <tr> <th colspan="11">MATERIAL AVAILABILITY</th> </tr> <tr> <th>FA</th> <th>TT</th> <th>V</th> <th>R</th> <th>MXS</th> <th>HH</th> <th>EPFA</th> <th>GPFAX</th> <th>SFA</th> <th>SFAHH</th> <th>SFAC</th> <th>SXR</th> </tr> </thead> <tbody> <tr> <td>✓</td> <td></td> <td>✓</td> <td></td> <td></td> <td>✓</td> <td>✓</td> <td>✓</td> <td></td> <td></td> <td></td> <td></td> </tr> </tbody> </table> <p>BMW, HONDA, KAWASAKI, MZ/MUZ, SUZUKI, HARLEY-DAVIDSON</p>	MATERIAL AVAILABILITY											FA	TT	V	R	MXS	HH	EPFA	GPFAX	SFA	SFAHH	SFAC	SXR	✓		✓			✓	✓	✓																																							
MATERIAL AVAILABILITY																																																																								
FA	TT	V	R	MXS	HH	EPFA	GPFAX	SFA	SFAHH	SFAC	SXR																																																													
✓		✓			✓	✓	✓																																																																	
<p>SFA255 32 x 49 x 7mm</p>		<table border="1"> <thead> <tr> <th colspan="11">MATERIAL AVAILABILITY</th> </tr> <tr> <th>FA</th> <th>TT</th> <th>V</th> <th>R</th> <th>MXS</th> <th>HH</th> <th>EPFA</th> <th>GPFAX</th> <th>SFA</th> <th>SFAHH</th> <th>SFAC</th> <th>SXR</th> </tr> </thead> <tbody> <tr> <td></td> <td></td> <td></td> <td></td> <td></td> <td></td> <td></td> <td></td> <td>✓</td> <td></td> <td></td> <td></td> </tr> </tbody> </table> <p>PIAGGIO</p>	MATERIAL AVAILABILITY											FA	TT	V	R	MXS	HH	EPFA	GPFAX	SFA	SFAHH	SFAC	SXR									✓																																						
MATERIAL AVAILABILITY																																																																								
FA	TT	V	R	MXS	HH	EPFA	GPFAX	SFA	SFAHH	SFAC	SXR																																																													
								✓																																																																
<p>FA256 78.5 x 47.5 x 7.5mm</p>		<table border="1"> <thead> <tr> <th colspan="11">MATERIAL AVAILABILITY</th> </tr> <tr> <th>FA</th> <th>TT</th> <th>V</th> <th>R</th> <th>MXS</th> <th>HH</th> <th>EPFA</th> <th>GPFAX</th> <th>SFA</th> <th>SFAHH</th> <th>SFAC</th> <th>SXR</th> </tr> </thead> <tbody> <tr> <td>✓</td> <td>✓</td> <td></td> <td></td> <td></td> <td>✓</td> <td></td> <td></td> <td>✓</td> <td>✓</td> <td>✓</td> <td></td> </tr> </tbody> </table> <p>APRILIA, CAGIVA, DERBI, GARELLI, GILERA, HONDA, MALAGUTI, MOTO GUZZI, MOTO MORINI, SCARABEO, WK</p>	MATERIAL AVAILABILITY											FA	TT	V	R	MXS	HH	EPFA	GPFAX	SFA	SFAHH	SFAC	SXR	✓	✓				✓			✓	✓	✓																																				
MATERIAL AVAILABILITY																																																																								
FA	TT	V	R	MXS	HH	EPFA	GPFAX	SFA	SFAHH	SFAC	SXR																																																													
✓	✓				✓			✓	✓	✓																																																														
<p>SFA257 41 x 43 x 7.5mm</p>		<table border="1"> <thead> <tr> <th colspan="11">MATERIAL AVAILABILITY</th> </tr> <tr> <th>FA</th> <th>TT</th> <th>V</th> <th>R</th> <th>MXS</th> <th>HH</th> <th>EPFA</th> <th>GPFAX</th> <th>SFA</th> <th>SFAHH</th> <th>SFAC</th> <th>SXR</th> </tr> </thead> <tbody> <tr> <td></td> <td></td> <td></td> <td></td> <td></td> <td></td> <td></td> <td></td> <td>✓</td> <td></td> <td>✓</td> <td></td> </tr> </tbody> </table> <p>BRANSON, CAGIVA, DAELIM, GARELLI, HONDA, SYM</p>	MATERIAL AVAILABILITY											FA	TT	V	R	MXS	HH	EPFA	GPFAX	SFA	SFAHH	SFAC	SXR									✓		✓																																				
MATERIAL AVAILABILITY																																																																								
FA	TT	V	R	MXS	HH	EPFA	GPFAX	SFA	SFAHH	SFAC	SXR																																																													
								✓		✓																																																														
<p>SFA257/2 41 x 43 x 5.5mm</p>		<table border="1"> <thead> <tr> <th colspan="11">MATERIAL AVAILABILITY</th> </tr> <tr> <th>FA</th> <th>TT</th> <th>V</th> <th>R</th> <th>MXS</th> <th>HH</th> <th>EPFA</th> <th>GPFAX</th> <th>SFA</th> <th>SFAHH</th> <th>SFAC</th> <th>SXR</th> </tr> </thead> <tbody> <tr> <td></td> <td></td> <td></td> <td></td> <td></td> <td></td> <td></td> <td></td> <td>✓</td> <td></td> <td></td> <td></td> </tr> </tbody> </table> <p>SFA257/2 PARKING BRAKE, HONDA, APRILIA, BMW, GILERA, KYMCO, PIAGGIO, VECTRIX</p>	MATERIAL AVAILABILITY											FA	TT	V	R	MXS	HH	EPFA	GPFAX	SFA	SFAHH	SFAC	SXR									✓																																						
MATERIAL AVAILABILITY																																																																								
FA	TT	V	R	MXS	HH	EPFA	GPFAX	SFA	SFAHH	SFAC	SXR																																																													
								✓																																																																
<p>FA258 A 119.5 x 26.5 x 7mm B 94.5 x 36 x 8mm</p>		<table border="1"> <thead> <tr> <th colspan="11">MATERIAL AVAILABILITY</th> </tr> <tr> <th>FA</th> <th>TT</th> <th>V</th> <th>R</th> <th>MXS</th> <th>HH</th> <th>EPFA</th> <th>GPFAX</th> <th>SFA</th> <th>SFAHH</th> <th>SFAC</th> <th>SXR</th> </tr> </thead> <tbody> <tr> <td></td> <td>✓</td> <td></td> <td>✓</td> <td></td> <td></td> <td></td> <td></td> <td></td> <td></td> <td></td> <td></td> </tr> </tbody> </table> <p>KAWASAKI, SUZUKI</p>	MATERIAL AVAILABILITY											FA	TT	V	R	MXS	HH	EPFA	GPFAX	SFA	SFAHH	SFAC	SXR		✓		✓																																											
MATERIAL AVAILABILITY																																																																								
FA	TT	V	R	MXS	HH	EPFA	GPFAX	SFA	SFAHH	SFAC	SXR																																																													
	✓		✓																																																																					
<p>SFA260 35.5 x 49 x 6.5mm</p>		<table border="1"> <thead> <tr> <th colspan="11">MATERIAL AVAILABILITY</th> </tr> <tr> <th>FA</th> <th>TT</th> <th>V</th> <th>R</th> <th>MXS</th> <th>HH</th> <th>EPFA</th> <th>GPFAX</th> <th>SFA</th> <th>SFAHH</th> <th>SFAC</th> <th>SXR</th> </tr> </thead> <tbody> <tr> <td></td> <td></td> <td></td> <td></td> <td></td> <td></td> <td></td> <td></td> <td>✓</td> <td>✓</td> <td>✓</td> <td></td> </tr> </tbody> </table> <p>ADIVA, BENELLI, CPI, DERBI, GILERA, ITALJET, KEEWAY, KREIDLER, PEUGEOT, PGO, PIAGGIO, QUADRA, SACHS, SFM, SYM, VESPA, WK</p>	MATERIAL AVAILABILITY											FA	TT	V	R	MXS	HH	EPFA	GPFAX	SFA	SFAHH	SFAC	SXR									✓	✓	✓																																				
MATERIAL AVAILABILITY																																																																								
FA	TT	V	R	MXS	HH	EPFA	GPFAX	SFA	SFAHH	SFAC	SXR																																																													
								✓	✓	✓																																																														
<p>FA261 A 115 x 40.5 x 8.5mm B 115 x 40.5 x 8.5mm FA261/2 A 115 x 40.5 x 10mm B 115 x 40.5 x 10mm</p>		<table border="1"> <thead> <tr> <th colspan="11">MATERIAL AVAILABILITY - FA261</th> </tr> <tr> <th>FA</th> <th>TT</th> <th>V</th> <th>R</th> <th>MXS</th> <th>HH</th> <th>EPFA</th> <th>GPFAX</th> <th>SFA</th> <th>SFAHH</th> <th>SFAC</th> <th>SXR</th> </tr> </thead> <tbody> <tr> <td></td> <td></td> <td>✓</td> <td></td> <td></td> <td>✓</td> <td>✓</td> <td></td> <td></td> <td></td> <td></td> <td></td> </tr> </tbody> </table> <table border="1"> <thead> <tr> <th colspan="11">MATERIAL AVAILABILITY - FA261/2</th> </tr> <tr> <th>FA</th> <th>TT</th> <th>V</th> <th>R</th> <th>MXS</th> <th>HH</th> <th>EPFA</th> <th>GPFAX</th> <th>SFA</th> <th>SFAHH</th> <th>SFAC</th> <th>SXR</th> </tr> </thead> <tbody> <tr> <td></td> <td></td> <td>✓</td> <td></td> <td></td> <td>✓</td> <td>✓</td> <td></td> <td></td> <td></td> <td></td> <td></td> </tr> </tbody> </table> <p>FA261 - HONDA, VICTORY FA261/2 - HONDA</p>	MATERIAL AVAILABILITY - FA261											FA	TT	V	R	MXS	HH	EPFA	GPFAX	SFA	SFAHH	SFAC	SXR			✓			✓	✓						MATERIAL AVAILABILITY - FA261/2											FA	TT	V	R	MXS	HH	EPFA	GPFAX	SFA	SFAHH	SFAC	SXR			✓			✓	✓					
MATERIAL AVAILABILITY - FA261																																																																								
FA	TT	V	R	MXS	HH	EPFA	GPFAX	SFA	SFAHH	SFAC	SXR																																																													
		✓			✓	✓																																																																		
MATERIAL AVAILABILITY - FA261/2																																																																								
FA	TT	V	R	MXS	HH	EPFA	GPFAX	SFA	SFAHH	SFAC	SXR																																																													
		✓			✓	✓																																																																		


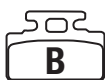













DO NOT REFIT ANY SHIMS/INSULATORS TO EBC PADS FROM ORIGINAL PADS UNLESS INSTRUCTED ON NOTE ON PAD PACKAGING AND ON FA DRAWING ASSOCIATED WITH THAT PAD.

<p>FA263 101 x 34.5 x 8.5mm</p>		<table border="1"> <thead> <tr> <th colspan="12">MATERIAL AVAILABILITY</th> </tr> <tr> <th>FA</th><th>TT</th><th>V</th><th>R</th><th>MXS</th><th>HH</th><th>EPFA</th><th>GPFAX</th><th>SFA</th><th>SFAHH</th><th>SFAC</th><th>SXR</th> </tr> </thead> <tbody> <tr> <td></td><td></td><td></td><td></td><td></td><td></td><td>✓</td><td>✓</td><td></td><td></td><td></td><td></td> </tr> </tbody> </table> <p>AP/LOCKHEED AFTERMARKET CALIPER, PFM AFTERMARKET CALIPER</p>	MATERIAL AVAILABILITY												FA	TT	V	R	MXS	HH	EPFA	GPFAX	SFA	SFAHH	SFAC	SXR							✓	✓				
MATERIAL AVAILABILITY																																						
FA	TT	V	R	MXS	HH	EPFA	GPFAX	SFA	SFAHH	SFAC	SXR																											
						✓	✓																															
<p>FA264 A 84.5 x 43.5 x 8mm B 70 x 41 x 8mm</p>	 	<table border="1"> <thead> <tr> <th colspan="12">MATERIAL AVAILABILITY</th> </tr> <tr> <th>FA</th><th>TT</th><th>V</th><th>R</th><th>MXS</th><th>HH</th><th>EPFA</th><th>GPFAX</th><th>SFA</th><th>SFAHH</th><th>SFAC</th><th>SXR</th> </tr> </thead> <tbody> <tr> <td>✓</td><td></td><td>✓</td><td></td><td></td><td>✓</td><td></td><td></td><td>✓</td><td>✓</td><td>✓</td><td></td> </tr> </tbody> </table> <p>ADIVA SCOOTERS, AJS, BAROSSA, CAGIVA, GARELLI, GENERIC/KSR, LAMBRETTA, PEUGEOT, PGO, SCOMADI, SINNIS, SYM, TGB, TOMOS, ZERO ELECTRIC MOTORCYCLES</p>	MATERIAL AVAILABILITY												FA	TT	V	R	MXS	HH	EPFA	GPFAX	SFA	SFAHH	SFAC	SXR	✓		✓			✓			✓	✓	✓	
MATERIAL AVAILABILITY																																						
FA	TT	V	R	MXS	HH	EPFA	GPFAX	SFA	SFAHH	SFAC	SXR																											
✓		✓			✓			✓	✓	✓																												
<p>FA265 75 x 55 x 8.5mm</p>		<table border="1"> <thead> <tr> <th colspan="12">MATERIAL AVAILABILITY</th> </tr> <tr> <th>FA</th><th>TT</th><th>V</th><th>R</th><th>MXS</th><th>HH</th><th>EPFA</th><th>GPFAX</th><th>SFA</th><th>SFAHH</th><th>SFAC</th><th>SXR</th> </tr> </thead> <tbody> <tr> <td></td><td></td><td></td><td></td><td></td><td>✓</td><td>✓</td><td></td><td></td><td></td><td></td><td></td> </tr> </tbody> </table> <p>HONDA</p>	MATERIAL AVAILABILITY												FA	TT	V	R	MXS	HH	EPFA	GPFAX	SFA	SFAHH	SFAC	SXR						✓	✓					
MATERIAL AVAILABILITY																																						
FA	TT	V	R	MXS	HH	EPFA	GPFAX	SFA	SFAHH	SFAC	SXR																											
					✓	✓																																
<p>FA266 51.5 x 54.5 x 7.5mm</p>		<table border="1"> <thead> <tr> <th colspan="12">MATERIAL AVAILABILITY</th> </tr> <tr> <th>FA</th><th>TT</th><th>V</th><th>R</th><th>MXS</th><th>HH</th><th>EPFA</th><th>GPFAX</th><th>SFA</th><th>SFAHH</th><th>SFAC</th><th>SXR</th> </tr> </thead> <tbody> <tr> <td>✓</td><td></td><td>✓</td><td>✓</td><td></td><td>✓</td><td>✓</td><td></td><td>✓</td><td>✓</td><td>✓</td><td></td> </tr> </tbody> </table> <p>ADIVA SCOOTERS, APRILIA, AUSA QUADS, BENELLI, BIMOTA, BOMBARDIER, BREMBO, BENELLI, BRAMMO, CF MOTO, CPI, DERBI, DUCATI, ENERGICA ELECTRIC, GENERIC, GILERA, GOGORO E SCOOTER, HARLEY DAVIDSON, HONDA, HOREX, INDIAN, KAWASAKI, KEEWAY, KTM, LAVERDA, MALAGUTI, MBK, MONDIAL, MOTO GUZZI, MOTO MORINI, MV, NORTON, PETRONAS, PEUGEOT, PIAGGIO, RIEJU, SINNIS, SUZUKI, TOMOS, VECTRIX, VOXON, W.K. BIKES, YAMAHA, VOXAN</p>	MATERIAL AVAILABILITY												FA	TT	V	R	MXS	HH	EPFA	GPFAX	SFA	SFAHH	SFAC	SXR	✓		✓	✓		✓	✓		✓	✓	✓	
MATERIAL AVAILABILITY																																						
FA	TT	V	R	MXS	HH	EPFA	GPFAX	SFA	SFAHH	SFAC	SXR																											
✓		✓	✓		✓	✓		✓	✓	✓																												
<p>FA267 52 x 60 x 9mm</p>		<table border="1"> <thead> <tr> <th colspan="12">MATERIAL AVAILABILITY</th> </tr> <tr> <th>FA</th><th>TT</th><th>V</th><th>R</th><th>MXS</th><th>HH</th><th>EPFA</th><th>GPFAX</th><th>SFA</th><th>SFAHH</th><th>SFAC</th><th>SXR</th> </tr> </thead> <tbody> <tr> <td>✓</td><td></td><td></td><td></td><td></td><td>✓</td><td></td><td></td><td></td><td></td><td></td><td></td> </tr> </tbody> </table> <p>YAMAHA</p>	MATERIAL AVAILABILITY												FA	TT	V	R	MXS	HH	EPFA	GPFAX	SFA	SFAHH	SFAC	SXR	✓					✓						
MATERIAL AVAILABILITY																																						
FA	TT	V	R	MXS	HH	EPFA	GPFAX	SFA	SFAHH	SFAC	SXR																											
✓					✓																																	
<p>SFA268 46 x 53 x 6.5mm</p>		<table border="1"> <thead> <tr> <th colspan="12">MATERIAL AVAILABILITY</th> </tr> <tr> <th>FA</th><th>TT</th><th>V</th><th>R</th><th>MXS</th><th>HH</th><th>EPFA</th><th>GPFAX</th><th>SFA</th><th>SFAHH</th><th>SFAC</th><th>SXR</th> </tr> </thead> <tbody> <tr> <td></td><td></td><td></td><td></td><td></td><td></td><td></td><td></td><td>✓</td><td>✓</td><td>✓</td><td></td> </tr> </tbody> </table> <p>YAMAHA, MBK, QUADRO</p>	MATERIAL AVAILABILITY												FA	TT	V	R	MXS	HH	EPFA	GPFAX	SFA	SFAHH	SFAC	SXR									✓	✓	✓	
MATERIAL AVAILABILITY																																						
FA	TT	V	R	MXS	HH	EPFA	GPFAX	SFA	SFAHH	SFAC	SXR																											
								✓	✓	✓																												
<p>FA270 73 x 52.5 x 7mm</p>		<table border="1"> <thead> <tr> <th colspan="12">MATERIAL AVAILABILITY</th> </tr> <tr> <th>FA</th><th>TT</th><th>V</th><th>R</th><th>MXS</th><th>HH</th><th>EPFA</th><th>GPFAX</th><th>SFA</th><th>SFAHH</th><th>SFAC</th><th>SXR</th> </tr> </thead> <tbody> <tr> <td></td><td>✓</td><td></td><td>✓</td><td></td><td></td><td></td><td></td><td></td><td></td><td></td><td></td> </tr> </tbody> </table> <p>POLARIS, QUADZILLA, LINHAI</p>	MATERIAL AVAILABILITY												FA	TT	V	R	MXS	HH	EPFA	GPFAX	SFA	SFAHH	SFAC	SXR		✓		✓								
MATERIAL AVAILABILITY																																						
FA	TT	V	R	MXS	HH	EPFA	GPFAX	SFA	SFAHH	SFAC	SXR																											
	✓		✓																																			
<p>FA271 68 x 45 x 8mm</p>		<table border="1"> <thead> <tr> <th colspan="12">MATERIAL AVAILABILITY</th> </tr> <tr> <th>FA</th><th>TT</th><th>V</th><th>R</th><th>MXS</th><th>HH</th><th>EPFA</th><th>GPFAX</th><th>SFA</th><th>SFAHH</th><th>SFAC</th><th>SXR</th> </tr> </thead> <tbody> <tr> <td></td><td>✓</td><td></td><td>✓</td><td></td><td></td><td></td><td></td><td></td><td></td><td></td><td></td> </tr> </tbody> </table> <p>ARCTIC CAT, LAVERDA, MASSEY FERGUSON ATV, WILWOOD</p>	MATERIAL AVAILABILITY												FA	TT	V	R	MXS	HH	EPFA	GPFAX	SFA	SFAHH	SFAC	SXR		✓		✓								
MATERIAL AVAILABILITY																																						
FA	TT	V	R	MXS	HH	EPFA	GPFAX	SFA	SFAHH	SFAC	SXR																											
	✓		✓																																			
<p>FA272 40 x 44.5 x 7mm</p>		<table border="1"> <thead> <tr> <th colspan="12">MATERIAL AVAILABILITY</th> </tr> <tr> <th>FA</th><th>TT</th><th>V</th><th>R</th><th>MXS</th><th>HH</th><th>EPFA</th><th>GPFAX</th><th>SFA</th><th>SFAHH</th><th>SFAC</th><th>SXR</th> </tr> </thead> <tbody> <tr> <td>✓</td><td></td><td></td><td></td><td></td><td></td><td></td><td></td><td></td><td></td><td></td><td></td> </tr> </tbody> </table> <p>AP LOCKHEED CALIPERS</p>	MATERIAL AVAILABILITY												FA	TT	V	R	MXS	HH	EPFA	GPFAX	SFA	SFAHH	SFAC	SXR	✓											
MATERIAL AVAILABILITY																																						
FA	TT	V	R	MXS	HH	EPFA	GPFAX	SFA	SFAHH	SFAC	SXR																											
✓																																						
<p>FA273 50.5 x 60.5 x 12.5mm</p>		<table border="1"> <thead> <tr> <th colspan="12">MATERIAL AVAILABILITY</th> </tr> <tr> <th>FA</th><th>TT</th><th>V</th><th>R</th><th>MXS</th><th>HH</th><th>EPFA</th><th>GPFAX</th><th>SFA</th><th>SFAHH</th><th>SFAC</th><th>SXR</th> </tr> </thead> <tbody> <tr> <td></td><td></td><td></td><td>✓</td><td></td><td></td><td></td><td></td><td></td><td></td><td></td><td></td> </tr> </tbody> </table> <p>POLARIS</p>	MATERIAL AVAILABILITY												FA	TT	V	R	MXS	HH	EPFA	GPFAX	SFA	SFAHH	SFAC	SXR				✓								
MATERIAL AVAILABILITY																																						
FA	TT	V	R	MXS	HH	EPFA	GPFAX	SFA	SFAHH	SFAC	SXR																											
			✓																																			

DO NOT REFIT ANY SHIMS/INSULATORS TO EBC PADS FROM ORIGINAL PADS UNLESS INSTRUCTED ON NOTE ON PAD PACKAGING AND ON FA DRAWING ASSOCIATED WITH THAT PAD.

<p>FA275 100 x 31 x 9mm</p>		<table border="1"> <thead> <tr> <th colspan="12">MATERIAL AVAILABILITY</th> </tr> <tr> <th>FA</th><th>TT</th><th>V</th><th>R</th><th>MXS</th><th>HH</th><th>EPFA</th><th>GPFAX</th><th>SFA</th><th>SFAHH</th><th>SFAC</th><th>SXR</th> </tr> </thead> <tbody> <tr> <td>✓</td><td>✓</td><td></td><td></td><td></td><td>✓</td><td></td><td></td><td>✓</td><td>✓</td><td>✓</td><td></td> </tr> </tbody> </table> <p>YAMAHA, LINHAI, MBK, ITALJET</p>	MATERIAL AVAILABILITY												FA	TT	V	R	MXS	HH	EPFA	GPFAX	SFA	SFAHH	SFAC	SXR	✓	✓				✓			✓	✓	✓	
MATERIAL AVAILABILITY																																						
FA	TT	V	R	MXS	HH	EPFA	GPFAX	SFA	SFAHH	SFAC	SXR																											
✓	✓				✓			✓	✓	✓																												
<p>FA281 115 x 40.5 x 9.5mm</p>		<table border="1"> <thead> <tr> <th colspan="12">MATERIAL AVAILABILITY</th> </tr> <tr> <th>FA</th><th>TT</th><th>V</th><th>R</th><th>MXS</th><th>HH</th><th>EPFA</th><th>GPFAX</th><th>SFA</th><th>SFAHH</th><th>SFAC</th><th>SXR</th> </tr> </thead> <tbody> <tr> <td></td><td></td><td></td><td></td><td></td><td>✓</td><td></td><td></td><td>✓</td><td>✓</td><td>✓</td><td></td> </tr> </tbody> </table> <p>GARELLI, HONDA, KAWASAKI, PEUGEOT</p>	MATERIAL AVAILABILITY												FA	TT	V	R	MXS	HH	EPFA	GPFAX	SFA	SFAHH	SFAC	SXR						✓			✓	✓	✓	
MATERIAL AVAILABILITY																																						
FA	TT	V	R	MXS	HH	EPFA	GPFAX	SFA	SFAHH	SFAC	SXR																											
					✓			✓	✓	✓																												
<p>SFA283/4 44.5 x 53.5 x 8.5mm</p>		<table border="1"> <thead> <tr> <th colspan="12">MATERIAL AVAILABILITY</th> </tr> <tr> <th>FA</th><th>TT</th><th>V</th><th>R</th><th>MXS</th><th>HH</th><th>EPFA</th><th>GPFAX</th><th>SFA</th><th>SFAHH</th><th>SFAC</th><th>SXR</th> </tr> </thead> <tbody> <tr> <td></td><td></td><td></td><td></td><td></td><td></td><td></td><td></td><td>✓</td><td>✓</td><td>✓</td><td></td> </tr> </tbody> </table> <p>KAWASAKI, SUZUKI, SYM</p>	MATERIAL AVAILABILITY												FA	TT	V	R	MXS	HH	EPFA	GPFAX	SFA	SFAHH	SFAC	SXR									✓	✓	✓	
MATERIAL AVAILABILITY																																						
FA	TT	V	R	MXS	HH	EPFA	GPFAX	SFA	SFAHH	SFAC	SXR																											
								✓	✓	✓																												
<p>FA291 57 x 43.5 x 6.5mm</p>		<table border="1"> <thead> <tr> <th colspan="12">MATERIAL AVAILABILITY</th> </tr> <tr> <th>FA</th><th>TT</th><th>V</th><th>R</th><th>MXS</th><th>HH</th><th>EPFA</th><th>GPFAX</th><th>SFA</th><th>SFAHH</th><th>SFAC</th><th>SXR</th> </tr> </thead> <tbody> <tr> <td>✓</td><td></td><td></td><td></td><td></td><td></td><td></td><td></td><td></td><td></td><td></td><td></td> </tr> </tbody> </table> <p>GAS-GAS, GAS-GAS Pierer Mob</p>	MATERIAL AVAILABILITY												FA	TT	V	R	MXS	HH	EPFA	GPFAX	SFA	SFAHH	SFAC	SXR	✓											
MATERIAL AVAILABILITY																																						
FA	TT	V	R	MXS	HH	EPFA	GPFAX	SFA	SFAHH	SFAC	SXR																											
✓																																						
<p>FA293 22 x 6mm</p>		<table border="1"> <thead> <tr> <th colspan="12">MATERIAL AVAILABILITY</th> </tr> <tr> <th>FA</th><th>TT</th><th>V</th><th>R</th><th>MXS</th><th>HH</th><th>EPFA</th><th>GPFAX</th><th>SFA</th><th>SFAHH</th><th>SFAC</th><th>SXR</th> </tr> </thead> <tbody> <tr> <td>✓</td><td></td><td></td><td></td><td></td><td></td><td></td><td></td><td></td><td></td><td></td><td></td> </tr> </tbody> </table> <p>MINI MOTO, HRD, POLINI</p>	MATERIAL AVAILABILITY												FA	TT	V	R	MXS	HH	EPFA	GPFAX	SFA	SFAHH	SFAC	SXR	✓											
MATERIAL AVAILABILITY																																						
FA	TT	V	R	MXS	HH	EPFA	GPFAX	SFA	SFAHH	SFAC	SXR																											
✓																																						
<p>FA294 81 x 46 x 7.5mm</p>		<table border="1"> <thead> <tr> <th colspan="12">MATERIAL AVAILABILITY</th> </tr> <tr> <th>FA</th><th>TT</th><th>V</th><th>R</th><th>MXS</th><th>HH</th><th>EPFA</th><th>GPFAX</th><th>SFA</th><th>SFAHH</th><th>SFAC</th><th>SXR</th> </tr> </thead> <tbody> <tr> <td></td><td></td><td></td><td></td><td></td><td>✓</td><td>✓</td><td></td><td></td><td></td><td></td><td></td> </tr> </tbody> </table> <p>BMW, KAWASAKI</p>	MATERIAL AVAILABILITY												FA	TT	V	R	MXS	HH	EPFA	GPFAX	SFA	SFAHH	SFAC	SXR						✓	✓					
MATERIAL AVAILABILITY																																						
FA	TT	V	R	MXS	HH	EPFA	GPFAX	SFA	SFAHH	SFAC	SXR																											
					✓	✓																																
<p>EPFA295HH 77.5 x 42.5 x 8.5mm</p>		<table border="1"> <thead> <tr> <th colspan="12">MATERIAL AVAILABILITY</th> </tr> <tr> <th>FA</th><th>TT</th><th>V</th><th>R</th><th>MXS</th><th>HH</th><th>EPFA</th><th>GPFAX</th><th>SFA</th><th>SFAHH</th><th>SFAC</th><th>SXR</th> </tr> </thead> <tbody> <tr> <td></td><td></td><td></td><td></td><td></td><td></td><td>✓</td><td>✓</td><td></td><td></td><td></td><td></td> </tr> </tbody> </table> <p>BREMBO</p>	MATERIAL AVAILABILITY												FA	TT	V	R	MXS	HH	EPFA	GPFAX	SFA	SFAHH	SFAC	SXR							✓	✓				
MATERIAL AVAILABILITY																																						
FA	TT	V	R	MXS	HH	EPFA	GPFAX	SFA	SFAHH	SFAC	SXR																											
						✓	✓																															
<p>FA296 75 x 55 x 7.5mm</p>		<table border="1"> <thead> <tr> <th colspan="12">MATERIAL AVAILABILITY</th> </tr> <tr> <th>FA</th><th>TT</th><th>V</th><th>R</th><th>MXS</th><th>HH</th><th>EPFA</th><th>GPFAX</th><th>SFA</th><th>SFAHH</th><th>SFAC</th><th>SXR</th> </tr> </thead> <tbody> <tr> <td></td><td></td><td></td><td></td><td></td><td>✓</td><td>✓</td><td>✓</td><td></td><td></td><td></td><td></td> </tr> </tbody> </table> <p>HARLEY DAVIDSON, HONDA, HYOSUNG, KAWASAKI, MASH</p>	MATERIAL AVAILABILITY												FA	TT	V	R	MXS	HH	EPFA	GPFAX	SFA	SFAHH	SFAC	SXR						✓	✓	✓				
MATERIAL AVAILABILITY																																						
FA	TT	V	R	MXS	HH	EPFA	GPFAX	SFA	SFAHH	SFAC	SXR																											
					✓	✓	✓																															
<p>FA297 A 105 x 43.5 x 8mm B 66 x 36.5 x 12.5mm</p>		<table border="1"> <thead> <tr> <th colspan="12">MATERIAL AVAILABILITY</th> </tr> <tr> <th>FA</th><th>TT</th><th>V</th><th>R</th><th>MXS</th><th>HH</th><th>EPFA</th><th>GPFAX</th><th>SFA</th><th>SFAHH</th><th>SFAC</th><th>SXR</th> </tr> </thead> <tbody> <tr> <td>✓</td><td></td><td></td><td></td><td></td><td></td><td></td><td></td><td></td><td></td><td></td><td></td> </tr> </tbody> </table> <p>SYM</p>	MATERIAL AVAILABILITY												FA	TT	V	R	MXS	HH	EPFA	GPFAX	SFA	SFAHH	SFAC	SXR	✓											
MATERIAL AVAILABILITY																																						
FA	TT	V	R	MXS	HH	EPFA	GPFAX	SFA	SFAHH	SFAC	SXR																											
✓																																						
<p>FA298 51 x 54 x 9.5mm</p>		<table border="1"> <thead> <tr> <th colspan="12">MATERIAL AVAILABILITY</th> </tr> <tr> <th>FA</th><th>TT</th><th>V</th><th>R</th><th>MXS</th><th>HH</th><th>EPFA</th><th>GPFAX</th><th>SFA</th><th>SFAHH</th><th>SFAC</th><th>SXR</th> </tr> </thead> <tbody> <tr> <td>✓</td><td></td><td></td><td></td><td></td><td></td><td></td><td></td><td>✓</td><td>✓</td><td>✓</td><td></td> </tr> </tbody> </table> <p>APRILIA, BENELLI, BETA, BAOTIAN, DERBI, GENERIC/KSR, H P POWER, HUSQVARNA, HYOSUNG, ITALJET, KEEWAY, MALAGUTI, PEUGEOT, SCARABEO, TGB</p>	MATERIAL AVAILABILITY												FA	TT	V	R	MXS	HH	EPFA	GPFAX	SFA	SFAHH	SFAC	SXR	✓								✓	✓	✓	
MATERIAL AVAILABILITY																																						
FA	TT	V	R	MXS	HH	EPFA	GPFAX	SFA	SFAHH	SFAC	SXR																											
✓								✓	✓	✓																												
<p>SFA301 54 x 51 x 8mm</p>		<table border="1"> <thead> <tr> <th colspan="12">MATERIAL AVAILABILITY</th> </tr> <tr> <th>FA</th><th>TT</th><th>V</th><th>R</th><th>MXS</th><th>HH</th><th>EPFA</th><th>GPFAX</th><th>SFA</th><th>SFAHH</th><th>SFAC</th><th>SXR</th> </tr> </thead> <tbody> <tr> <td></td><td></td><td></td><td></td><td></td><td></td><td></td><td></td><td>✓</td><td>✓</td><td>✓</td><td></td> </tr> </tbody> </table> <p>APRILIA</p>	MATERIAL AVAILABILITY												FA	TT	V	R	MXS	HH	EPFA	GPFAX	SFA	SFAHH	SFAC	SXR									✓	✓	✓	
MATERIAL AVAILABILITY																																						
FA	TT	V	R	MXS	HH	EPFA	GPFAX	SFA	SFAHH	SFAC	SXR																											
								✓	✓	✓																												

DO NOT REFIT ANY SHIMS/INSULATORS TO EBC PADS FROM ORIGINAL PADS UNLESS INSTRUCTED ON NOTE ON PAD PACKAGING AND ON FA DRAWING ASSOCIATED WITH THAT PAD.

<p>FA302 A 67.5 x 40 x 7.5mm B 52 x 40 x 7.5mm</p>	 	<table border="1"> <thead> <tr> <th colspan="12">MATERIAL AVAILABILITY</th> </tr> <tr> <th>FA</th> <th>TT</th> <th>V</th> <th>R</th> <th>MXS</th> <th>HH</th> <th>EPFA</th> <th>GPFAX</th> <th>SFA</th> <th>SFAHH</th> <th>SFAC</th> <th>SXR</th> </tr> </thead> <tbody> <tr> <td></td> <td>✓</td> <td></td> <td>✓</td> <td>✓</td> <td></td> <td></td> <td></td> <td></td> <td></td> <td></td> <td></td> </tr> </tbody> </table> <p>KAWASAKI, SUZUKI</p>	MATERIAL AVAILABILITY												FA	TT	V	R	MXS	HH	EPFA	GPFAX	SFA	SFAHH	SFAC	SXR		✓		✓	✓																																											
MATERIAL AVAILABILITY																																																																										
FA	TT	V	R	MXS	HH	EPFA	GPFAX	SFA	SFAHH	SFAC	SXR																																																															
	✓		✓	✓																																																																						
<p>FA303 50 x 44 x 6mm</p>		<table border="1"> <thead> <tr> <th colspan="12">MATERIAL AVAILABILITY</th> </tr> <tr> <th>FA</th> <th>TT</th> <th>V</th> <th>R</th> <th>MXS</th> <th>HH</th> <th>EPFA</th> <th>GPFAX</th> <th>SFA</th> <th>SFAHH</th> <th>SFAC</th> <th>SXR</th> </tr> </thead> <tbody> <tr> <td></td> <td>✓</td> <td></td> <td></td> <td></td> <td></td> <td></td> <td></td> <td></td> <td></td> <td></td> <td></td> </tr> </tbody> </table> <p>AJP, BETA, GAS-GAS, MONTESA/HONDA, OSSA, SCORPA, SHERCO, XISPA</p>	MATERIAL AVAILABILITY												FA	TT	V	R	MXS	HH	EPFA	GPFAX	SFA	SFAHH	SFAC	SXR		✓																																														
MATERIAL AVAILABILITY																																																																										
FA	TT	V	R	MXS	HH	EPFA	GPFAX	SFA	SFAHH	SFAC	SXR																																																															
	✓																																																																									
<p>FA304 75 x 53.5 x 9mm</p>		<table border="1"> <thead> <tr> <th colspan="12">MATERIAL AVAILABILITY</th> </tr> <tr> <th>FA</th> <th>TT</th> <th>V</th> <th>R</th> <th>MXS</th> <th>HH</th> <th>EPFA</th> <th>GPFAX</th> <th>SFA</th> <th>SFAHH</th> <th>SFAC</th> <th>SXR</th> </tr> </thead> <tbody> <tr> <td>✓</td> <td></td> <td></td> <td></td> <td></td> <td>✓</td> <td></td> <td></td> <td></td> <td></td> <td></td> <td></td> </tr> </tbody> </table> <p>BMW</p>	MATERIAL AVAILABILITY												FA	TT	V	R	MXS	HH	EPFA	GPFAX	SFA	SFAHH	SFAC	SXR	✓					✓																																										
MATERIAL AVAILABILITY																																																																										
FA	TT	V	R	MXS	HH	EPFA	GPFAX	SFA	SFAHH	SFAC	SXR																																																															
✓					✓																																																																					
<p>FA305 A 85 x 43 x 8.5mm B 64 x 37 x 10mm</p>	 	<table border="1"> <thead> <tr> <th colspan="12">MATERIAL AVAILABILITY</th> </tr> <tr> <th>FA</th> <th>TT</th> <th>V</th> <th>R</th> <th>MXS</th> <th>HH</th> <th>EPFA</th> <th>GPFAX</th> <th>SFA</th> <th>SFAHH</th> <th>SFAC</th> <th>SXR</th> </tr> </thead> <tbody> <tr> <td>✓</td> <td></td> <td></td> <td>✓</td> <td></td> <td></td> <td></td> <td></td> <td>✓</td> <td>✓</td> <td>✓</td> <td></td> </tr> </tbody> </table> <p>ARCTIC CAT, KAWASAKI, LAVERDA, KYMCO, SYM</p>	MATERIAL AVAILABILITY												FA	TT	V	R	MXS	HH	EPFA	GPFAX	SFA	SFAHH	SFAC	SXR	✓			✓					✓	✓	✓																																					
MATERIAL AVAILABILITY																																																																										
FA	TT	V	R	MXS	HH	EPFA	GPFAX	SFA	SFAHH	SFAC	SXR																																																															
✓			✓					✓	✓	✓																																																																
<p>SFA306 70 x 42 x 8mm</p>		<table border="1"> <thead> <tr> <th colspan="12">MATERIAL AVAILABILITY</th> </tr> <tr> <th>FA</th> <th>TT</th> <th>V</th> <th>R</th> <th>MXS</th> <th>HH</th> <th>EPFA</th> <th>GPFAX</th> <th>SFA</th> <th>SFAHH</th> <th>SFAC</th> <th>SXR</th> </tr> </thead> <tbody> <tr> <td></td> <td></td> <td></td> <td></td> <td></td> <td></td> <td></td> <td></td> <td>✓</td> <td></td> <td>✓</td> <td></td> </tr> </tbody> </table> <p>LAVERDA, SYM</p>	MATERIAL AVAILABILITY												FA	TT	V	R	MXS	HH	EPFA	GPFAX	SFA	SFAHH	SFAC	SXR									✓		✓																																					
MATERIAL AVAILABILITY																																																																										
FA	TT	V	R	MXS	HH	EPFA	GPFAX	SFA	SFAHH	SFAC	SXR																																																															
								✓		✓																																																																
<p>FA307 A 82 x 41 x 9.5mm B 62 x 41 x 9.5mm</p>	 	<table border="1"> <thead> <tr> <th colspan="12">MATERIAL AVAILABILITY</th> </tr> <tr> <th>FA</th> <th>TT</th> <th>V</th> <th>R</th> <th>MXS</th> <th>HH</th> <th>EPFA</th> <th>GPFAX</th> <th>SFA</th> <th>SFAHH</th> <th>SFAC</th> <th>SXR</th> </tr> </thead> <tbody> <tr> <td></td> <td>✓</td> <td></td> <td>✓</td> <td></td> <td></td> <td></td> <td></td> <td></td> <td>✓</td> <td></td> <td></td> </tr> </tbody> </table> <p>FA307TT- YAMAHA, BOMBARDIER, CANNONDALE, JOHN DEERE ATV SFA307 - SUZUKI</p>	MATERIAL AVAILABILITY												FA	TT	V	R	MXS	HH	EPFA	GPFAX	SFA	SFAHH	SFAC	SXR		✓		✓						✓																																						
MATERIAL AVAILABILITY																																																																										
FA	TT	V	R	MXS	HH	EPFA	GPFAX	SFA	SFAHH	SFAC	SXR																																																															
	✓		✓						✓																																																																	
<p>FA313 124 x 55 x 9.5mm</p>		<table border="1"> <thead> <tr> <th colspan="12">MATERIAL AVAILABILITY</th> </tr> <tr> <th>FA</th> <th>TT</th> <th>V</th> <th>R</th> <th>MXS</th> <th>HH</th> <th>EPFA</th> <th>GPFAX</th> <th>SFA</th> <th>SFAHH</th> <th>SFAC</th> <th>SXR</th> </tr> </thead> <tbody> <tr> <td></td> <td></td> <td></td> <td>✓</td> <td></td> <td></td> <td></td> <td></td> <td></td> <td></td> <td></td> <td></td> </tr> </tbody> </table> <p>POLARIS</p>	MATERIAL AVAILABILITY												FA	TT	V	R	MXS	HH	EPFA	GPFAX	SFA	SFAHH	SFAC	SXR				✓																																												
MATERIAL AVAILABILITY																																																																										
FA	TT	V	R	MXS	HH	EPFA	GPFAX	SFA	SFAHH	SFAC	SXR																																																															
			✓																																																																							
<p>FA314 90.5 x 41.5 x 8mm</p>		<table border="1"> <thead> <tr> <th colspan="12">MATERIAL AVAILABILITY</th> </tr> <tr> <th>FA</th> <th>TT</th> <th>V</th> <th>R</th> <th>MXS</th> <th>HH</th> <th>EPFA</th> <th>GPFAX</th> <th>SFA</th> <th>SFAHH</th> <th>SFAC</th> <th>SXR</th> </tr> </thead> <tbody> <tr> <td></td> <td></td> <td></td> <td>✓</td> <td></td> <td></td> <td></td> <td></td> <td></td> <td></td> <td></td> <td></td> </tr> </tbody> </table> <p>POLARIS</p>	MATERIAL AVAILABILITY												FA	TT	V	R	MXS	HH	EPFA	GPFAX	SFA	SFAHH	SFAC	SXR				✓																																												
MATERIAL AVAILABILITY																																																																										
FA	TT	V	R	MXS	HH	EPFA	GPFAX	SFA	SFAHH	SFAC	SXR																																																															
			✓																																																																							
<p>FA317 A 82 x 41 x 9.5mm B 62 x 41 x 9.5mm</p>	 	<table border="1"> <thead> <tr> <th colspan="12">MATERIAL AVAILABILITY</th> </tr> <tr> <th>FA</th> <th>TT</th> <th>V</th> <th>R</th> <th>MXS</th> <th>HH</th> <th>EPFA</th> <th>GPFAX</th> <th>SFA</th> <th>SFAHH</th> <th>SFAC</th> <th>SXR</th> </tr> </thead> <tbody> <tr> <td></td> <td>✓</td> <td></td> <td>✓</td> <td></td> <td></td> <td></td> <td></td> <td></td> <td></td> <td></td> <td></td> </tr> </tbody> </table> <p>SUZUKI, BOMBARDIER, CAN-AM, CANNONDALE, JOHN DEERE ATV</p>	MATERIAL AVAILABILITY												FA	TT	V	R	MXS	HH	EPFA	GPFAX	SFA	SFAHH	SFAC	SXR		✓		✓																																												
MATERIAL AVAILABILITY																																																																										
FA	TT	V	R	MXS	HH	EPFA	GPFAX	SFA	SFAHH	SFAC	SXR																																																															
	✓		✓																																																																							
<p>SFA319 100 x 38.5 x 12mm FA319/2 100 x 38.5 x 9.5mm</p>		<table border="1"> <thead> <tr> <th colspan="12">MATERIAL AVAILABILITY - FA319</th> </tr> <tr> <th>FA</th> <th>TT</th> <th>V</th> <th>R</th> <th>MXS</th> <th>HH</th> <th>EPFA</th> <th>GPFAX</th> <th>SFA</th> <th>SFAHH</th> <th>SFAC</th> <th>SXR</th> </tr> </thead> <tbody> <tr> <td></td> <td></td> <td></td> <td></td> <td></td> <td></td> <td></td> <td></td> <td>✓</td> <td>✓</td> <td>✓</td> <td></td> </tr> </tbody> </table> <table border="1"> <thead> <tr> <th colspan="12">MATERIAL AVAILABILITY - FA319/2</th> </tr> <tr> <th>FA</th> <th>TT</th> <th>V</th> <th>R</th> <th>MXS</th> <th>HH</th> <th>EPFA</th> <th>GPFAX</th> <th>SFA</th> <th>SFAHH</th> <th>SFAC</th> <th>SXR</th> </tr> </thead> <tbody> <tr> <td>✓</td> <td></td> <td>✓</td> <td></td> <td></td> <td>✓</td> <td></td> <td></td> <td></td> <td></td> <td></td> <td></td> </tr> </tbody> </table> <p>SFA319 - YAMAHA, SYM FA319/2 - YAMAHA</p>	MATERIAL AVAILABILITY - FA319												FA	TT	V	R	MXS	HH	EPFA	GPFAX	SFA	SFAHH	SFAC	SXR									✓	✓	✓		MATERIAL AVAILABILITY - FA319/2												FA	TT	V	R	MXS	HH	EPFA	GPFAX	SFA	SFAHH	SFAC	SXR	✓		✓			✓						
MATERIAL AVAILABILITY - FA319																																																																										
FA	TT	V	R	MXS	HH	EPFA	GPFAX	SFA	SFAHH	SFAC	SXR																																																															
								✓	✓	✓																																																																
MATERIAL AVAILABILITY - FA319/2																																																																										
FA	TT	V	R	MXS	HH	EPFA	GPFAX	SFA	SFAHH	SFAC	SXR																																																															
✓		✓			✓																																																																					
<p>FA320 70 x 43 x 7.5mm</p>		<table border="1"> <thead> <tr> <th colspan="12">MATERIAL AVAILABILITY</th> </tr> <tr> <th>FA</th> <th>TT</th> <th>V</th> <th>R</th> <th>MXS</th> <th>HH</th> <th>EPFA</th> <th>GPFAX</th> <th>SFA</th> <th>SFAHH</th> <th>SFAC</th> <th>SXR</th> </tr> </thead> <tbody> <tr> <td></td> <td></td> <td></td> <td></td> <td></td> <td>✓</td> <td></td> <td></td> <td></td> <td></td> <td></td> <td></td> </tr> </tbody> </table> <p>MV AUGUSTA</p>	MATERIAL AVAILABILITY												FA	TT	V	R	MXS	HH	EPFA	GPFAX	SFA	SFAHH	SFAC	SXR						✓																																										
MATERIAL AVAILABILITY																																																																										
FA	TT	V	R	MXS	HH	EPFA	GPFAX	SFA	SFAHH	SFAC	SXR																																																															
					✓																																																																					

DO NOT REFIT ANY SHIMS/INSULATORS TO EBC PADS FROM ORIGINAL PADS UNLESS INSTRUCTED ON NOTE ON PAD PACKAGING AND ON FA DRAWING ASSOCIATED WITH THAT PAD.

SFA321

55.5 x 49 x 7.5mm



MATERIAL AVAILABILITY

FA	TT	V	R	MXS	HH	EPFA	GPFAX	SFA	SFAHH	SFAC	SXR
								✓	✓	✓	

BENELLI, GILERA, PIAGGIO, VESPA

FA322/4

35 x 40.5 x 7.5mm



MATERIAL AVAILABILITY

FA	TT	V	R	MXS	HH	EPFA	GPFAX	SFA	SFAHH	SFAC	SXR
					✓	✓					

APRILIA, BENELLI, BIMOTA, BREMBO, CAGIVA, DERBI, DUCATI, GENERIC, HUSQVARNA, KTM, LAVERDA, MONDIAL, MOTO GUZZI, MOTO MORINI, M.V. AGUSTA, NORTON, PETRONAS, SHERCO, SWM, TM, TRIUMPH, VOXAN

FA323

81.5 x 42 x 9mm



MATERIAL AVAILABILITY - FA323

FA	TT	V	R	MXS	HH	EPFA	GPFAX	SFA	SFAHH	SFAC	SXR
	✓		✓					✓	✓	✓	

FA323/2

81.5 x 42 x 7mm

MATERIAL AVAILABILITY - FA323/2 & FA323/3

FA	TT	V	R	MXS	HH	EPFA	GPFAX	SFA	SFAHH	SFAC	SXR
								✓	✓		

FA323, YAMAHA, WK,
SFA323, HONDA, ITALJET, MZ,
SFA232/2, HONDA,
SFA323/3, KAWASAKI, SUZUKI

FA323/3

81.5 x 42 x 8mm

SFA324

117.5 x 41.5 x 8.5mm



MATERIAL AVAILABILITY

FA	TT	V	R	MXS	HH	EPFA	GPFAX	SFA	SFAHH	SFAC	SXR
								✓	✓	✓	

APRILIA, BETA, KYMCO, PIAGGIO, SCARABEO

FA325

43.5 x 25 x 5mm



MATERIAL AVAILABILITY

FA	TT	V	R	MXS	HH	EPFA	GPFAX	SFA	SFAHH	SFAC	SXR
	✓		✓								

GAS GAS Pierer Mobility, HUSQVARNA, LEM, KTM, POLINI, TOMOS

CFA327

30.5 x 35 x 4mm



MATERIAL AVAILABILITY

FA	TT	V	R	MXS	HH	EPFA	GPFAX	SFA	SFAHH	SFAC	SXR
✓			✓		✓						

BETA

FA335

77.5 x 51.5 x 8.5mm



MATERIAL AVAILABILITY

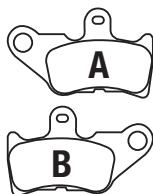
FA	TT	V	R	MXS	HH	EPFA	GPFAX	SFA	SFAHH	SFAC	SXR
					✓	✓					

BMW

FA336

A 78 x 47.5 x 7mm

B 78 x 47.5 x 7mm



MATERIAL AVAILABILITY

FA	TT	V	R	MXS	HH	EPFA	GPFAX	SFA	SFAHH	SFAC	SXR
								✓			

YAMAHA

FA337

36 x 52 x 6mm



MATERIAL AVAILABILITY

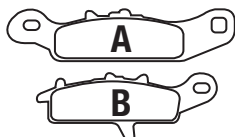
FA	TT	V	R	MXS	HH	EPFA	GPFAX	SFA	SFAHH	SFAC	SXR
	✓		✓								

APRILIA, BETA, JCM, KTM

FA342

A 119.5 x 26.5 x 7mm

B 94.5 x 36 x 8mm

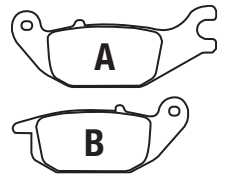





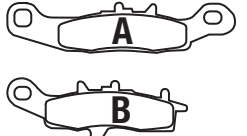



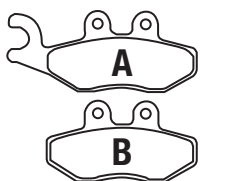


MATERIAL AVAILABILITY

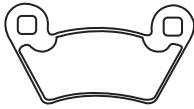



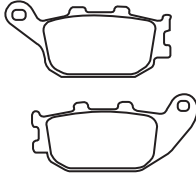





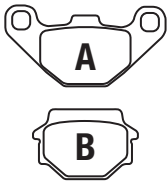
FA	TT	V	R	MXS	HH	EPFA	GPFAX	SFA	SFAHH	SFAC	SXR
			✓								

KAWASAKI, SUZUKI


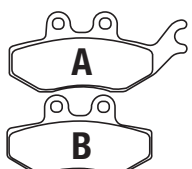
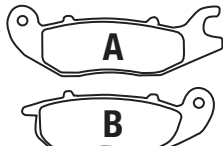
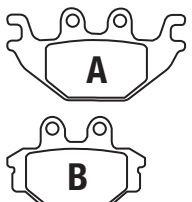
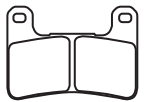

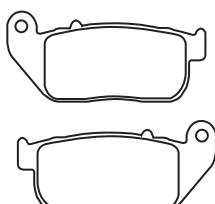
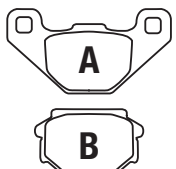
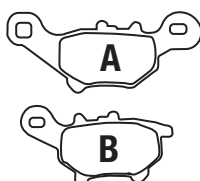
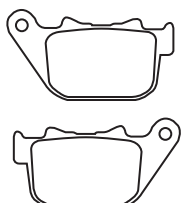
DO NOT REFIT ANY SHIMS/INSULATORS TO EBC PADS FROM ORIGINAL PADS UNLESS INSTRUCTED ON NOTE ON PAD PACKAGING AND ON FA DRAWING ASSOCIATED WITH THAT PAD.

<p>FA343 A 107 x 42.5 x 10mm B 91.5 x 40 x 10mm</p>		<table border="1"> <thead> <tr> <th colspan="12">MATERIAL AVAILABILITY</th> </tr> <tr> <th>FA</th> <th>TT</th> <th>V</th> <th>R</th> <th>MXS</th> <th>HH</th> <th>EPFA</th> <th>GPFAX</th> <th>SFA</th> <th>SFAHH</th> <th>SFAC</th> <th>SXR</th> </tr> </thead> <tbody> <tr> <td>✓</td> <td></td> <td></td> <td></td> <td></td> <td>✓</td> <td></td> <td></td> <td>✓</td> <td></td> <td></td> <td></td> </tr> </tbody> </table> <p>AJS, HERO, HONDA, LEXMOTO, YAMAHA</p>	MATERIAL AVAILABILITY												FA	TT	V	R	MXS	HH	EPFA	GPFAX	SFA	SFAHH	SFAC	SXR	✓					✓			✓			
MATERIAL AVAILABILITY																																						
FA	TT	V	R	MXS	HH	EPFA	GPFAX	SFA	SFAHH	SFAC	SXR																											
✓					✓			✓																														
<p>FA344 65.5 x 44.5 x 11.5mm</p>		<table border="1"> <thead> <tr> <th colspan="12">MATERIAL AVAILABILITY</th> </tr> <tr> <th>FA</th> <th>TT</th> <th>V</th> <th>R</th> <th>MXS</th> <th>HH</th> <th>EPFA</th> <th>GPFAX</th> <th>SFA</th> <th>SFAHH</th> <th>SFAC</th> <th>SXR</th> </tr> </thead> <tbody> <tr> <td></td> <td>✓</td> <td></td> <td>✓</td> <td></td> <td></td> <td></td> <td></td> <td></td> <td></td> <td></td> <td></td> </tr> </tbody> </table> <p>YAMAHA, CCM, C F MOTO, EXPLORER, GOES, QUADZILLA, WT MOTORS</p>	MATERIAL AVAILABILITY												FA	TT	V	R	MXS	HH	EPFA	GPFAX	SFA	SFAHH	SFAC	SXR		✓		✓								
MATERIAL AVAILABILITY																																						
FA	TT	V	R	MXS	HH	EPFA	GPFAX	SFA	SFAHH	SFAC	SXR																											
	✓		✓																																			
<p>FA345 91.5 x 49.5 x 8mm</p>		<table border="1"> <thead> <tr> <th colspan="12">MATERIAL AVAILABILITY</th> </tr> <tr> <th>FA</th> <th>TT</th> <th>V</th> <th>R</th> <th>MXS</th> <th>HH</th> <th>EPFA</th> <th>GPFAX</th> <th>SFA</th> <th>SFAHH</th> <th>SFAC</th> <th>SXR</th> </tr> </thead> <tbody> <tr> <td></td> <td></td> <td></td> <td></td> <td></td> <td>✓</td> <td>✓</td> <td></td> <td></td> <td></td> <td></td> <td></td> </tr> </tbody> </table> <p>BUELL</p>	MATERIAL AVAILABILITY												FA	TT	V	R	MXS	HH	EPFA	GPFAX	SFA	SFAHH	SFAC	SXR						✓	✓					
MATERIAL AVAILABILITY																																						
FA	TT	V	R	MXS	HH	EPFA	GPFAX	SFA	SFAHH	SFAC	SXR																											
					✓	✓																																
<p>FA346 60 x 44 x 11mm</p>		<table border="1"> <thead> <tr> <th colspan="12">MATERIAL AVAILABILITY</th> </tr> <tr> <th>FA</th> <th>TT</th> <th>V</th> <th>R</th> <th>MXS</th> <th>HH</th> <th>EPFA</th> <th>GPFAX</th> <th>SFA</th> <th>SFAHH</th> <th>SFAC</th> <th>SXR</th> </tr> </thead> <tbody> <tr> <td></td> <td>✓</td> <td></td> <td>✓</td> <td>✓</td> <td></td> <td>✓</td> <td></td> <td></td> <td></td> <td></td> <td></td> </tr> </tbody> </table> <p>ALFER, FANTIC, HONDA, HONDA-DALL'ARA, HONDA HM Italy, KAYO, MEGELLI, PUZEY</p>	MATERIAL AVAILABILITY												FA	TT	V	R	MXS	HH	EPFA	GPFAX	SFA	SFAHH	SFAC	SXR		✓		✓	✓		✓					
MATERIAL AVAILABILITY																																						
FA	TT	V	R	MXS	HH	EPFA	GPFAX	SFA	SFAHH	SFAC	SXR																											
	✓		✓	✓		✓																																
<p>FA347 69.5 x 49.5 x 7mm</p>		<table border="1"> <thead> <tr> <th colspan="12">MATERIAL AVAILABILITY</th> </tr> <tr> <th>FA</th> <th>TT</th> <th>V</th> <th>R</th> <th>MXS</th> <th>HH</th> <th>EPFA</th> <th>GPFAX</th> <th>SFA</th> <th>SFAHH</th> <th>SFAC</th> <th>SXR</th> </tr> </thead> <tbody> <tr> <td></td> <td></td> <td></td> <td></td> <td></td> <td>✓</td> <td>✓</td> <td>✓</td> <td></td> <td></td> <td></td> <td></td> </tr> </tbody> </table> <p>HONDA, KAWASAKI, SUZUKI, YAMAHA, INDIAN, MORIWAKI/HONDA, TRIUMPH, VICTORY</p>	MATERIAL AVAILABILITY												FA	TT	V	R	MXS	HH	EPFA	GPFAX	SFA	SFAHH	SFAC	SXR						✓	✓	✓				
MATERIAL AVAILABILITY																																						
FA	TT	V	R	MXS	HH	EPFA	GPFAX	SFA	SFAHH	SFAC	SXR																											
					✓	✓	✓																															
<p>FA348 64 x 60.5 x 9mm</p>		<table border="1"> <thead> <tr> <th colspan="12">MATERIAL AVAILABILITY</th> </tr> <tr> <th>FA</th> <th>TT</th> <th>V</th> <th>R</th> <th>MXS</th> <th>HH</th> <th>EPFA</th> <th>GPFAX</th> <th>SFA</th> <th>SFAHH</th> <th>SFAC</th> <th>SXR</th> </tr> </thead> <tbody> <tr> <td>✓</td> <td></td> <td></td> <td></td> <td></td> <td>✓</td> <td></td> <td></td> <td></td> <td></td> <td></td> <td></td> </tr> </tbody> </table> <p>YAMAHA</p>	MATERIAL AVAILABILITY												FA	TT	V	R	MXS	HH	EPFA	GPFAX	SFA	SFAHH	SFAC	SXR	✓					✓						
MATERIAL AVAILABILITY																																						
FA	TT	V	R	MXS	HH	EPFA	GPFAX	SFA	SFAHH	SFAC	SXR																											
✓					✓																																	
<p>FA349 A 119.5 x 26.5 x 7mm B 94.5 x 36 x 8mm</p>		<table border="1"> <thead> <tr> <th colspan="12">MATERIAL AVAILABILITY</th> </tr> <tr> <th>FA</th> <th>TT</th> <th>V</th> <th>R</th> <th>MXS</th> <th>HH</th> <th>EPFA</th> <th>GPFAX</th> <th>SFA</th> <th>SFAHH</th> <th>SFAC</th> <th>SXR</th> </tr> </thead> <tbody> <tr> <td></td> <td></td> <td></td> <td>✓</td> <td></td> <td></td> <td></td> <td></td> <td></td> <td></td> <td></td> <td></td> </tr> </tbody> </table> <p>KAWASAKI, SUZUKI</p>	MATERIAL AVAILABILITY												FA	TT	V	R	MXS	HH	EPFA	GPFAX	SFA	SFAHH	SFAC	SXR				✓								
MATERIAL AVAILABILITY																																						
FA	TT	V	R	MXS	HH	EPFA	GPFAX	SFA	SFAHH	SFAC	SXR																											
			✓																																			
<p>FA350 50 x 47.5 x 7mm</p>		<table border="1"> <thead> <tr> <th colspan="12">MATERIAL AVAILABILITY</th> </tr> <tr> <th>FA</th> <th>TT</th> <th>V</th> <th>R</th> <th>MXS</th> <th>HH</th> <th>EPFA</th> <th>GPFAX</th> <th>SFA</th> <th>SFAHH</th> <th>SFAC</th> <th>SXR</th> </tr> </thead> <tbody> <tr> <td>✓</td> <td>✓</td> <td></td> <td></td> <td></td> <td>✓</td> <td></td> <td></td> <td>✓</td> <td>✓</td> <td>✓</td> <td></td> </tr> </tbody> </table> <p>CPI, DERBI, HONDA HM Italy, PEUGEOT, ITALJET, MALAGUTI, MASH, MBK, PEUGEOT, RIEJU, SCORPA, SHERCO, YAMAHA</p>	MATERIAL AVAILABILITY												FA	TT	V	R	MXS	HH	EPFA	GPFAX	SFA	SFAHH	SFAC	SXR	✓	✓				✓			✓	✓	✓	
MATERIAL AVAILABILITY																																						
FA	TT	V	R	MXS	HH	EPFA	GPFAX	SFA	SFAHH	SFAC	SXR																											
✓	✓				✓			✓	✓	✓																												
<p>FA351 36 x 39.5 x 6mm</p>		<table border="1"> <thead> <tr> <th colspan="12">MATERIAL AVAILABILITY</th> </tr> <tr> <th>FA</th> <th>TT</th> <th>V</th> <th>R</th> <th>MXS</th> <th>HH</th> <th>EPFA</th> <th>GPFAX</th> <th>SFA</th> <th>SFAHH</th> <th>SFAC</th> <th>SXR</th> </tr> </thead> <tbody> <tr> <td></td> <td>✓</td> <td></td> <td></td> <td></td> <td></td> <td></td> <td></td> <td></td> <td></td> <td></td> <td></td> </tr> </tbody> </table> <p>APRILIA, BETA, FACTORY, GAS-GAS, GAS GAS Pierer Mob, HONDA HM Italy, HUSQVARNA, METRAKIT, MONTESA/HONDA, OSSA, POLINI, SACHS, SCORPA, SHERCO, TOMOS, XISPA</p>	MATERIAL AVAILABILITY												FA	TT	V	R	MXS	HH	EPFA	GPFAX	SFA	SFAHH	SFAC	SXR		✓										
MATERIAL AVAILABILITY																																						
FA	TT	V	R	MXS	HH	EPFA	GPFAX	SFA	SFAHH	SFAC	SXR																											
	✓																																					
<p>FA352 31.5 x 37.5 x 5.5mm</p>		<table border="1"> <thead> <tr> <th colspan="12">MATERIAL AVAILABILITY</th> </tr> <tr> <th>FA</th> <th>TT</th> <th>V</th> <th>R</th> <th>MXS</th> <th>HH</th> <th>EPFA</th> <th>GPFAX</th> <th>SFA</th> <th>SFAHH</th> <th>SFAC</th> <th>SXR</th> </tr> </thead> <tbody> <tr> <td>✓</td> <td></td> <td></td> <td></td> <td></td> <td></td> <td></td> <td></td> <td></td> <td></td> <td></td> <td></td> </tr> </tbody> </table> <p>MINI MOTO, POLINI</p>	MATERIAL AVAILABILITY												FA	TT	V	R	MXS	HH	EPFA	GPFAX	SFA	SFAHH	SFAC	SXR	✓											
MATERIAL AVAILABILITY																																						
FA	TT	V	R	MXS	HH	EPFA	GPFAX	SFA	SFAHH	SFAC	SXR																											
✓																																						
<p>SFA353 A 97 x 41.5 x 9.5mm B 77 x 41.5 x 9.5mm</p>		<table border="1"> <thead> <tr> <th colspan="12">MATERIAL AVAILABILITY</th> </tr> <tr> <th>FA</th> <th>TT</th> <th>V</th> <th>R</th> <th>MXS</th> <th>HH</th> <th>EPFA</th> <th>GPFAX</th> <th>SFA</th> <th>SFAHH</th> <th>SFAC</th> <th>SXR</th> </tr> </thead> <tbody> <tr> <td></td> <td></td> <td></td> <td></td> <td></td> <td></td> <td></td> <td></td> <td>✓</td> <td>✓</td> <td>✓</td> <td></td> </tr> </tbody> </table> <p>APRILIA, DERBI, GILERA, KEEWAY, PEUGEOT, PIAGGIO, RIEJU, VESPA</p>	MATERIAL AVAILABILITY												FA	TT	V	R	MXS	HH	EPFA	GPFAX	SFA	SFAHH	SFAC	SXR									✓	✓	✓	
MATERIAL AVAILABILITY																																						
FA	TT	V	R	MXS	HH	EPFA	GPFAX	SFA	SFAHH	SFAC	SXR																											
								✓	✓	✓																												

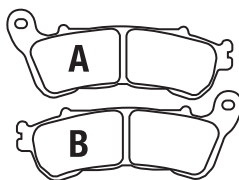
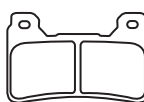


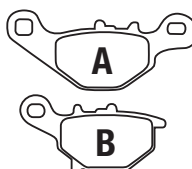

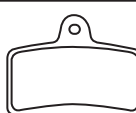
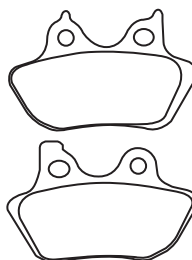
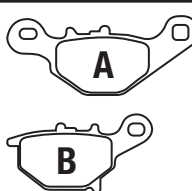

DO NOT REFIT ANY SHIMS/INSULATORS TO EBC PADS FROM ORIGINAL PADS UNLESS INSTRUCTED ON NOTE ON PAD PACKAGING AND ON FA DRAWING ASSOCIATED WITH THAT PAD.

<p>FA354 97 x 51 x 7mm</p>		<table border="1"> <thead> <tr> <th colspan="12">MATERIAL AVAILABILITY</th> </tr> <tr> <th>FA</th> <th>TT</th> <th>V</th> <th>R</th> <th>MXS</th> <th>HH</th> <th>EPFA</th> <th>GPFAX</th> <th>SFA</th> <th>SFAHH</th> <th>SFAC</th> <th>SXR</th> </tr> </thead> <tbody> <tr> <td></td> <td></td> <td></td> <td>✓</td> <td></td> <td></td> <td></td> <td></td> <td></td> <td></td> <td></td> <td>✓</td> </tr> </tbody> </table> <p>POLARIS</p>	MATERIAL AVAILABILITY												FA	TT	V	R	MXS	HH	EPFA	GPFAX	SFA	SFAHH	SFAC	SXR				✓								✓																																				
MATERIAL AVAILABILITY																																																																										
FA	TT	V	R	MXS	HH	EPFA	GPFAX	SFA	SFAHH	SFAC	SXR																																																															
			✓								✓																																																															
<p>FA355/4 44.5 x 51 x 7mm</p>		<table border="1"> <thead> <tr> <th colspan="12">MATERIAL AVAILABILITY</th> </tr> <tr> <th>FA</th> <th>TT</th> <th>V</th> <th>R</th> <th>MXS</th> <th>HH</th> <th>EPFA</th> <th>GPFAX</th> <th>SFA</th> <th>SFAHH</th> <th>SFAC</th> <th>SXR</th> </tr> </thead> <tbody> <tr> <td></td> <td>✓</td> <td></td> <td>✓</td> <td></td> <td></td> <td></td> <td></td> <td>✓</td> <td>✓</td> <td>✓</td> <td></td> </tr> </tbody> </table> <p>ARCTIC CAT, KYMCO, GILERA, MASAI, SYM</p>	MATERIAL AVAILABILITY												FA	TT	V	R	MXS	HH	EPFA	GPFAX	SFA	SFAHH	SFAC	SXR		✓		✓					✓	✓	✓																																					
MATERIAL AVAILABILITY																																																																										
FA	TT	V	R	MXS	HH	EPFA	GPFAX	SFA	SFAHH	SFAC	SXR																																																															
	✓		✓					✓	✓	✓																																																																
<p>SFA356 55.5 x 46 x 7mm</p>		<table border="1"> <thead> <tr> <th colspan="12">MATERIAL AVAILABILITY</th> </tr> <tr> <th>FA</th> <th>TT</th> <th>V</th> <th>R</th> <th>MXS</th> <th>HH</th> <th>EPFA</th> <th>GPFAX</th> <th>SFA</th> <th>SFAHH</th> <th>SFAC</th> <th>SXR</th> </tr> </thead> <tbody> <tr> <td></td> <td></td> <td></td> <td></td> <td></td> <td></td> <td></td> <td></td> <td>✓</td> <td>✓</td> <td></td> <td></td> </tr> </tbody> </table> <p>KYMCO</p>	MATERIAL AVAILABILITY												FA	TT	V	R	MXS	HH	EPFA	GPFAX	SFA	SFAHH	SFAC	SXR									✓	✓																																						
MATERIAL AVAILABILITY																																																																										
FA	TT	V	R	MXS	HH	EPFA	GPFAX	SFA	SFAHH	SFAC	SXR																																																															
								✓	✓																																																																	
<p>FA357 62 x 31.5 x 6.5mm</p>		<table border="1"> <thead> <tr> <th colspan="12">MATERIAL AVAILABILITY</th> </tr> <tr> <th>FA</th> <th>TT</th> <th>V</th> <th>R</th> <th>MXS</th> <th>HH</th> <th>EPFA</th> <th>GPFAX</th> <th>SFA</th> <th>SFAHH</th> <th>SFAC</th> <th>SXR</th> </tr> </thead> <tbody> <tr> <td></td> <td>✓</td> <td></td> <td>✓</td> <td></td> <td></td> <td></td> <td></td> <td></td> <td></td> <td></td> <td></td> </tr> </tbody> </table> <p>GAS GAS, HUSQVARNA, KTM, SWM</p>	MATERIAL AVAILABILITY												FA	TT	V	R	MXS	HH	EPFA	GPFAX	SFA	SFAHH	SFAC	SXR		✓		✓																																												
MATERIAL AVAILABILITY																																																																										
FA	TT	V	R	MXS	HH	EPFA	GPFAX	SFA	SFAHH	SFAC	SXR																																																															
	✓		✓																																																																							
<p>SFA358 86 x 40 x 9mm</p>		<table border="1"> <thead> <tr> <th colspan="12">MATERIAL AVAILABILITY</th> </tr> <tr> <th>FA</th> <th>TT</th> <th>V</th> <th>R</th> <th>MXS</th> <th>HH</th> <th>EPFA</th> <th>GPFAX</th> <th>SFA</th> <th>SFAHH</th> <th>SFAC</th> <th>SXR</th> </tr> </thead> <tbody> <tr> <td></td> <td></td> <td></td> <td></td> <td></td> <td></td> <td></td> <td></td> <td>✓</td> <td>✓</td> <td></td> <td></td> </tr> </tbody> </table> <p>HONDA</p>	MATERIAL AVAILABILITY												FA	TT	V	R	MXS	HH	EPFA	GPFAX	SFA	SFAHH	SFAC	SXR									✓	✓																																						
MATERIAL AVAILABILITY																																																																										
FA	TT	V	R	MXS	HH	EPFA	GPFAX	SFA	SFAHH	SFAC	SXR																																																															
								✓	✓																																																																	
<p>FA363 A 94 x 36.5 x 8.5mm B 94 x 36.5 x 10mm</p>		<table border="1"> <thead> <tr> <th colspan="12">MATERIAL AVAILABILITY</th> </tr> <tr> <th>FA</th> <th>TT</th> <th>V</th> <th>R</th> <th>MXS</th> <th>HH</th> <th>EPFA</th> <th>GPFAX</th> <th>SFA</th> <th>SFAHH</th> <th>SFAC</th> <th>SXR</th> </tr> </thead> <tbody> <tr> <td>✓</td> <td></td> <td>✓</td> <td></td> <td></td> <td>✓</td> <td></td> <td></td> <td></td> <td></td> <td></td> <td></td> </tr> </tbody> </table> <p>BMW</p>	MATERIAL AVAILABILITY												FA	TT	V	R	MXS	HH	EPFA	GPFAX	SFA	SFAHH	SFAC	SXR	✓		✓			✓																																										
MATERIAL AVAILABILITY																																																																										
FA	TT	V	R	MXS	HH	EPFA	GPFAX	SFA	SFAHH	SFAC	SXR																																																															
✓		✓			✓																																																																					
<p>FA366 70 x 46 x 13mm</p>		<table border="1"> <thead> <tr> <th colspan="12">MATERIAL AVAILABILITY</th> </tr> <tr> <th>FA</th> <th>TT</th> <th>V</th> <th>R</th> <th>MXS</th> <th>HH</th> <th>EPFA</th> <th>GPFAX</th> <th>SFA</th> <th>SFAHH</th> <th>SFAC</th> <th>SXR</th> </tr> </thead> <tbody> <tr> <td></td> <td>✓</td> <td>✓</td> <td></td> <td></td> <td>✓</td> <td></td> <td></td> <td></td> <td></td> <td></td> <td></td> </tr> </tbody> </table> <p>SUZUKI</p>	MATERIAL AVAILABILITY												FA	TT	V	R	MXS	HH	EPFA	GPFAX	SFA	SFAHH	SFAC	SXR		✓	✓			✓																																										
MATERIAL AVAILABILITY																																																																										
FA	TT	V	R	MXS	HH	EPFA	GPFAX	SFA	SFAHH	SFAC	SXR																																																															
	✓	✓			✓																																																																					
<p>FA367 67 x 36 x 11mm FA367/2 67 x 36 x 8.5mm</p>		<table border="1"> <thead> <tr> <th colspan="12">MATERIAL AVAILABILITY - FA367</th> </tr> <tr> <th>FA</th> <th>TT</th> <th>V</th> <th>R</th> <th>MXS</th> <th>HH</th> <th>EPFA</th> <th>GPFAX</th> <th>SFA</th> <th>SFAHH</th> <th>SFAC</th> <th>SXR</th> </tr> </thead> <tbody> <tr> <td></td> <td>✓</td> <td></td> <td>✓</td> <td>✓</td> <td></td> <td>✓</td> <td></td> <td></td> <td></td> <td></td> <td></td> </tr> </tbody> </table> <table border="1"> <thead> <tr> <th colspan="12">MATERIAL AVAILABILITY - FA367/2</th> </tr> <tr> <th>FA</th> <th>TT</th> <th>V</th> <th>R</th> <th>MXS</th> <th>HH</th> <th>EPFA</th> <th>GPFAX</th> <th>SFA</th> <th>SFAHH</th> <th>SFAC</th> <th>SXR</th> </tr> </thead> <tbody> <tr> <td></td> <td>✓</td> <td></td> <td>✓</td> <td></td> <td></td> <td></td> <td></td> <td></td> <td></td> <td></td> <td></td> </tr> </tbody> </table> <p>APRILIA, BETA, FANTIC, GAS GAS, KAWASAKI, SHERCO, SUZUKI, TM, WK, YAMAHA, ZERO FA367/2 - BETA, KTM, RIEJU</p>	MATERIAL AVAILABILITY - FA367												FA	TT	V	R	MXS	HH	EPFA	GPFAX	SFA	SFAHH	SFAC	SXR		✓		✓	✓		✓						MATERIAL AVAILABILITY - FA367/2												FA	TT	V	R	MXS	HH	EPFA	GPFAX	SFA	SFAHH	SFAC	SXR		✓		✓								
MATERIAL AVAILABILITY - FA367																																																																										
FA	TT	V	R	MXS	HH	EPFA	GPFAX	SFA	SFAHH	SFAC	SXR																																																															
	✓		✓	✓		✓																																																																				
MATERIAL AVAILABILITY - FA367/2																																																																										
FA	TT	V	R	MXS	HH	EPFA	GPFAX	SFA	SFAHH	SFAC	SXR																																																															
	✓		✓																																																																							
<p>FA368 A 64 x 42 x 9mm</p>		<table border="1"> <thead> <tr> <th colspan="12">MATERIAL AVAILABILITY</th> </tr> <tr> <th>FA</th> <th>TT</th> <th>V</th> <th>R</th> <th>MXS</th> <th>HH</th> <th>EPFA</th> <th>GPFAX</th> <th>SFA</th> <th>SFAHH</th> <th>SFAC</th> <th>SXR</th> </tr> </thead> <tbody> <tr> <td></td> <td>✓</td> <td></td> <td>✓</td> <td>✓</td> <td></td> <td>✓</td> <td></td> <td></td> <td></td> <td></td> <td></td> </tr> </tbody> </table> <p>ALTA MOTORS, BMW, BREMBO, GAS GAS Pierer Mob, HUSABERG, HUSQVARNA, KTM, OSSA, RIEJU, SHERCO, STARK ELECTRIC, SWM, TRIUMPH</p>	MATERIAL AVAILABILITY												FA	TT	V	R	MXS	HH	EPFA	GPFAX	SFA	SFAHH	SFAC	SXR		✓		✓	✓		✓																																									
MATERIAL AVAILABILITY																																																																										
FA	TT	V	R	MXS	HH	EPFA	GPFAX	SFA	SFAHH	SFAC	SXR																																																															
	✓		✓	✓		✓																																																																				
<p>FA369/4 38.5 x 49.5 x 8mm</p>		<table border="1"> <thead> <tr> <th colspan="12">MATERIAL AVAILABILITY</th> </tr> <tr> <th>FA</th> <th>TT</th> <th>V</th> <th>R</th> <th>MXS</th> <th>HH</th> <th>EPFA</th> <th>GPFAX</th> <th>SFA</th> <th>SFAHH</th> <th>SFAC</th> <th>SXR</th> </tr> </thead> <tbody> <tr> <td></td> <td></td> <td></td> <td></td> <td></td> <td>✓</td> <td>✓</td> <td></td> <td></td> <td></td> <td></td> <td></td> </tr> </tbody> </table> <p>KAWASAKI, SUZUKI</p>	MATERIAL AVAILABILITY												FA	TT	V	R	MXS	HH	EPFA	GPFAX	SFA	SFAHH	SFAC	SXR						✓	✓																																									
MATERIAL AVAILABILITY																																																																										
FA	TT	V	R	MXS	HH	EPFA	GPFAX	SFA	SFAHH	SFAC	SXR																																																															
					✓	✓																																																																				
<p>FA372 A 85 x 42.5 x 8.5mm B 55.5 x 37 x 11mm</p>		<table border="1"> <thead> <tr> <th colspan="12">MATERIAL AVAILABILITY</th> </tr> <tr> <th>FA</th> <th>TT</th> <th>V</th> <th>R</th> <th>MXS</th> <th>HH</th> <th>EPFA</th> <th>GPFAX</th> <th>SFA</th> <th>SFAHH</th> <th>SFAC</th> <th>SXR</th> </tr> </thead> <tbody> <tr> <td></td> <td>✓</td> <td></td> <td>✓</td> <td></td> <td></td> <td></td> <td></td> <td></td> <td></td> <td></td> <td></td> </tr> </tbody> </table> <p>SUZUKI</p>	MATERIAL AVAILABILITY												FA	TT	V	R	MXS	HH	EPFA	GPFAX	SFA	SFAHH	SFAC	SXR		✓		✓																																												
MATERIAL AVAILABILITY																																																																										
FA	TT	V	R	MXS	HH	EPFA	GPFAX	SFA	SFAHH	SFAC	SXR																																																															
	✓		✓																																																																							


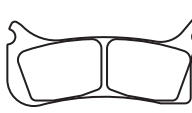





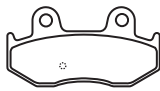
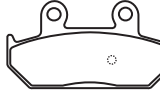





DO NOT REFIT ANY SHIMS/INSULATORS TO EBC PADS FROM ORIGINAL PADS UNLESS INSTRUCTED ON NOTE ON PAD PACKAGING AND ON FA DRAWING ASSOCIATED WITH THAT PAD.

<p>FA373 75 x 39.5 x 11.5mm</p>		<table border="1"> <thead> <tr> <th colspan="12">MATERIAL AVAILABILITY</th> </tr> <tr> <th>FA</th> <th>TT</th> <th>V</th> <th>R</th> <th>MXS</th> <th>HH</th> <th>EPFA</th> <th>GPFAX</th> <th>SFA</th> <th>SFAHH</th> <th>SFAC</th> <th>SXR</th> </tr> </thead> <tbody> <tr> <td></td> <td>✓</td> <td></td> <td>✓</td> <td></td> <td></td> <td></td> <td></td> <td></td> <td></td> <td></td> <td></td> </tr> </tbody> </table> <p>HONDA</p>	MATERIAL AVAILABILITY												FA	TT	V	R	MXS	HH	EPFA	GPFAX	SFA	SFAHH	SFAC	SXR		✓		✓								
MATERIAL AVAILABILITY																																						
FA	TT	V	R	MXS	HH	EPFA	GPFAX	SFA	SFAHH	SFAC	SXR																											
	✓		✓																																			
<p>FA374 A 94.5 x 42 x 8mm B 77 x 42 x 8mm</p>		<table border="1"> <thead> <tr> <th colspan="12">MATERIAL AVAILABILITY</th> </tr> <tr> <th>FA</th> <th>TT</th> <th>V</th> <th>R</th> <th>MXS</th> <th>HH</th> <th>EPFA</th> <th>GPFAX</th> <th>SFA</th> <th>SFAHH</th> <th>SFAC</th> <th>SXR</th> </tr> </thead> <tbody> <tr> <td>✓</td> <td></td> <td></td> <td></td> <td></td> <td></td> <td></td> <td></td> <td>✓</td> <td></td> <td></td> <td></td> </tr> </tbody> </table> <p>ITALJET, RIEJU</p>	MATERIAL AVAILABILITY												FA	TT	V	R	MXS	HH	EPFA	GPFAX	SFA	SFAHH	SFAC	SXR	✓								✓			
MATERIAL AVAILABILITY																																						
FA	TT	V	R	MXS	HH	EPFA	GPFAX	SFA	SFAHH	SFAC	SXR																											
✓								✓																														
<p>FA375 A 111 x 36 x 7.5mm B 98.5 x 33 x 7.5mm</p>		<table border="1"> <thead> <tr> <th colspan="12">MATERIAL AVAILABILITY</th> </tr> <tr> <th>FA</th> <th>TT</th> <th>V</th> <th>R</th> <th>MXS</th> <th>HH</th> <th>EPFA</th> <th>GPFAX</th> <th>SFA</th> <th>SFAHH</th> <th>SFAC</th> <th>SXR</th> </tr> </thead> <tbody> <tr> <td>✓</td> <td></td> <td>✓</td> <td></td> <td></td> <td>✓</td> <td></td> <td></td> <td>✓</td> <td></td> <td></td> <td></td> </tr> </tbody> </table> <p>AJS, HERO, HONDA, LEXMOTO, LIFAN, RIEJU, SUPERBYKE</p>	MATERIAL AVAILABILITY												FA	TT	V	R	MXS	HH	EPFA	GPFAX	SFA	SFAHH	SFAC	SXR	✓		✓			✓			✓			
MATERIAL AVAILABILITY																																						
FA	TT	V	R	MXS	HH	EPFA	GPFAX	SFA	SFAHH	SFAC	SXR																											
✓		✓			✓			✓																														
<p>FA377 A 94 x 47 x 8.5mm B 73 x 47 x 11mm</p>		<table border="1"> <thead> <tr> <th colspan="12">MATERIAL AVAILABILITY</th> </tr> <tr> <th>FA</th> <th>TT</th> <th>V</th> <th>R</th> <th>MXS</th> <th>HH</th> <th>EPFA</th> <th>GPFAX</th> <th>SFA</th> <th>SFAHH</th> <th>SFAC</th> <th>SXR</th> </tr> </thead> <tbody> <tr> <td>✓</td> <td>✓</td> <td>✓</td> <td>✓</td> <td></td> <td>✓</td> <td></td> <td></td> <td></td> <td></td> <td>✓</td> <td></td> </tr> </tbody> </table> <p>ADLY, AEON, ARCTIC CAT, BOMBARDIER, CAN-AM, CECTEK, CPI, INDIAN, KAWASAKI, KYMCO, PGO, QUADZILLA, SYM, TGB, YAMAHA</p>	MATERIAL AVAILABILITY												FA	TT	V	R	MXS	HH	EPFA	GPFAX	SFA	SFAHH	SFAC	SXR	✓	✓	✓	✓		✓					✓	
MATERIAL AVAILABILITY																																						
FA	TT	V	R	MXS	HH	EPFA	GPFAX	SFA	SFAHH	SFAC	SXR																											
✓	✓	✓	✓		✓					✓																												
<p>FA379 71.5 x 50.5 x 8mm</p>		<table border="1"> <thead> <tr> <th colspan="12">MATERIAL AVAILABILITY</th> </tr> <tr> <th>FA</th> <th>TT</th> <th>V</th> <th>R</th> <th>MXS</th> <th>HH</th> <th>EPFA</th> <th>GPFAX</th> <th>SFA</th> <th>SFAHH</th> <th>SFAC</th> <th>SXR</th> </tr> </thead> <tbody> <tr> <td></td> <td></td> <td></td> <td></td> <td></td> <td>✓</td> <td>✓</td> <td>✓</td> <td></td> <td></td> <td></td> <td></td> </tr> </tbody> </table> <p>KAWASAKI, SUZUKI</p>	MATERIAL AVAILABILITY												FA	TT	V	R	MXS	HH	EPFA	GPFAX	SFA	SFAHH	SFAC	SXR						✓	✓	✓				
MATERIAL AVAILABILITY																																						
FA	TT	V	R	MXS	HH	EPFA	GPFAX	SFA	SFAHH	SFAC	SXR																											
					✓	✓	✓																															
<p>FA380 69.5 x 51.5 x 8.5mm</p>		<table border="1"> <thead> <tr> <th colspan="12">MATERIAL AVAILABILITY</th> </tr> <tr> <th>FA</th> <th>TT</th> <th>V</th> <th>R</th> <th>MXS</th> <th>HH</th> <th>EPFA</th> <th>GPFAX</th> <th>SFA</th> <th>SFAHH</th> <th>SFAC</th> <th>SXR</th> </tr> </thead> <tbody> <tr> <td></td> <td></td> <td></td> <td></td> <td></td> <td>✓</td> <td>✓</td> <td>✓</td> <td></td> <td></td> <td></td> <td></td> </tr> </tbody> </table> <p>KAWASAKI, YAMAHA</p>	MATERIAL AVAILABILITY												FA	TT	V	R	MXS	HH	EPFA	GPFAX	SFA	SFAHH	SFAC	SXR						✓	✓	✓				
MATERIAL AVAILABILITY																																						
FA	TT	V	R	MXS	HH	EPFA	GPFAX	SFA	SFAHH	SFAC	SXR																											
					✓	✓	✓																															
<p>FA381 102 x 45.5 x 11mm</p>		<table border="1"> <thead> <tr> <th colspan="12">MATERIAL AVAILABILITY</th> </tr> <tr> <th>FA</th> <th>TT</th> <th>V</th> <th>R</th> <th>MXS</th> <th>HH</th> <th>EPFA</th> <th>GPFAX</th> <th>SFA</th> <th>SFAHH</th> <th>SFAC</th> <th>SXR</th> </tr> </thead> <tbody> <tr> <td>✓</td> <td></td> <td>✓</td> <td></td> <td></td> <td>✓</td> <td>✓</td> <td></td> <td></td> <td></td> <td></td> <td></td> </tr> </tbody> </table> <p>HARLEY DAVIDSON</p>	MATERIAL AVAILABILITY												FA	TT	V	R	MXS	HH	EPFA	GPFAX	SFA	SFAHH	SFAC	SXR	✓		✓			✓	✓					
MATERIAL AVAILABILITY																																						
FA	TT	V	R	MXS	HH	EPFA	GPFAX	SFA	SFAHH	SFAC	SXR																											
✓		✓			✓	✓																																
<p>FA382 A 85 x 43 x 7.5mm B 56 x 35 x 9.5mm</p>		<table border="1"> <thead> <tr> <th colspan="12">MATERIAL AVAILABILITY</th> </tr> <tr> <th>FA</th> <th>TT</th> <th>V</th> <th>R</th> <th>MXS</th> <th>HH</th> <th>EPFA</th> <th>GPFAX</th> <th>SFA</th> <th>SFAHH</th> <th>SFAC</th> <th>SXR</th> </tr> </thead> <tbody> <tr> <td>✓</td> <td></td> <td></td> <td></td> <td></td> <td></td> <td></td> <td></td> <td></td> <td></td> <td></td> <td></td> </tr> </tbody> </table> <p>APRILIA, FANTIC, HONDA HM Italy, SACHS, YAMAHA</p>	MATERIAL AVAILABILITY												FA	TT	V	R	MXS	HH	EPFA	GPFAX	SFA	SFAHH	SFAC	SXR	✓											
MATERIAL AVAILABILITY																																						
FA	TT	V	R	MXS	HH	EPFA	GPFAX	SFA	SFAHH	SFAC	SXR																											
✓																																						
<p>SFA384 A 99 x 41 x 8mm B 77 x 41 x 8mm</p>		<table border="1"> <thead> <tr> <th colspan="12">MATERIAL AVAILABILITY</th> </tr> <tr> <th>FA</th> <th>TT</th> <th>V</th> <th>R</th> <th>MXS</th> <th>HH</th> <th>EPFA</th> <th>GPFAX</th> <th>SFA</th> <th>SFAHH</th> <th>SFAC</th> <th>SXR</th> </tr> </thead> <tbody> <tr> <td></td> <td></td> <td></td> <td></td> <td></td> <td></td> <td></td> <td></td> <td>✓</td> <td></td> <td></td> <td></td> </tr> </tbody> </table> <p>YAMAHA, AEON</p>	MATERIAL AVAILABILITY												FA	TT	V	R	MXS	HH	EPFA	GPFAX	SFA	SFAHH	SFAC	SXR									✓			
MATERIAL AVAILABILITY																																						
FA	TT	V	R	MXS	HH	EPFA	GPFAX	SFA	SFAHH	SFAC	SXR																											
								✓																														
<p>FA387 86.5 x 44.5 x 10.5mm</p>		<table border="1"> <thead> <tr> <th colspan="12">MATERIAL AVAILABILITY</th> </tr> <tr> <th>FA</th> <th>TT</th> <th>V</th> <th>R</th> <th>MXS</th> <th>HH</th> <th>EPFA</th> <th>GPFAX</th> <th>SFA</th> <th>SFAHH</th> <th>SFAC</th> <th>SXR</th> </tr> </thead> <tbody> <tr> <td>✓</td> <td></td> <td>✓</td> <td></td> <td></td> <td>✓</td> <td>✓</td> <td></td> <td></td> <td></td> <td></td> <td></td> </tr> </tbody> </table> <p>HARLEY DAVIDSON</p>	MATERIAL AVAILABILITY												FA	TT	V	R	MXS	HH	EPFA	GPFAX	SFA	SFAHH	SFAC	SXR	✓		✓			✓	✓					
MATERIAL AVAILABILITY																																						
FA	TT	V	R	MXS	HH	EPFA	GPFAX	SFA	SFAHH	SFAC	SXR																											
✓		✓			✓	✓																																

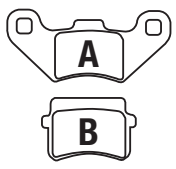
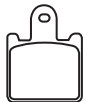
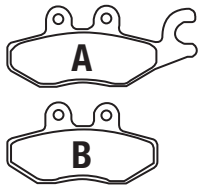
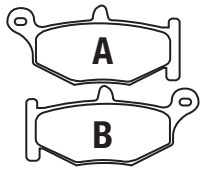
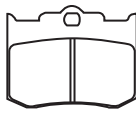

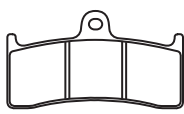

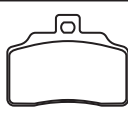
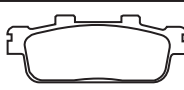
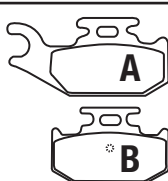
DO NOT REFIT ANY SHIMS/INSULATORS TO EBC PADS FROM ORIGINAL PADS UNLESS INSTRUCTED ON NOTE ON PAD PACKAGING AND ON FA DRAWING ASSOCIATED WITH THAT PAD.

<p>FA388 118 x 45 x 8.5mm</p> <p>FA388/2 118 x 45 x 10.5mm</p>		<table border="1"> <thead> <tr> <th colspan="12">MATERIAL AVAILABILITY - FA388</th> </tr> <tr> <th>FA</th><th>TT</th><th>V</th><th>R</th><th>MXS</th><th>HH</th><th>EPFA</th><th>GPFAX</th><th>SFA</th><th>SFAHH</th><th>SFAC</th><th>SXR</th> </tr> </thead> <tbody> <tr> <td>✓</td><td></td><td></td><td></td><td></td><td>✓</td><td>✓</td><td></td><td>✓</td><td>✓</td><td>✓</td><td></td> </tr> </tbody> </table> <table border="1"> <thead> <tr> <th colspan="12">MATERIAL AVAILABILITY - FA388/2</th> </tr> <tr> <th>FA</th><th>TT</th><th>V</th><th>R</th><th>MXS</th><th>HH</th><th>EPFA</th><th>GPFAX</th><th>SFA</th><th>SFAHH</th><th>SFAC</th><th>SXR</th> </tr> </thead> <tbody> <tr> <td></td><td></td><td></td><td></td><td></td><td>✓</td><td></td><td></td><td></td><td></td><td></td><td></td> </tr> </tbody> </table> <p>HONDA, SUZUKI FA388/2HH - HONDA</p>	MATERIAL AVAILABILITY - FA388												FA	TT	V	R	MXS	HH	EPFA	GPFAX	SFA	SFAHH	SFAC	SXR	✓					✓	✓		✓	✓	✓		MATERIAL AVAILABILITY - FA388/2												FA	TT	V	R	MXS	HH	EPFA	GPFAX	SFA	SFAHH	SFAC	SXR						✓						
MATERIAL AVAILABILITY - FA388																																																																										
FA	TT	V	R	MXS	HH	EPFA	GPFAX	SFA	SFAHH	SFAC	SXR																																																															
✓					✓	✓		✓	✓	✓																																																																
MATERIAL AVAILABILITY - FA388/2																																																																										
FA	TT	V	R	MXS	HH	EPFA	GPFAX	SFA	SFAHH	SFAC	SXR																																																															
					✓																																																																					
<p>FA390 74.5 x 47 x 8mm</p>		<table border="1"> <thead> <tr> <th colspan="12">MATERIAL AVAILABILITY</th> </tr> <tr> <th>FA</th><th>TT</th><th>V</th><th>R</th><th>MXS</th><th>HH</th><th>EPFA</th><th>GPFAX</th><th>SFA</th><th>SFAHH</th><th>SFAC</th><th>SXR</th> </tr> </thead> <tbody> <tr> <td></td><td></td><td></td><td></td><td></td><td>✓</td><td>✓</td><td>✓</td><td></td><td></td><td></td><td></td> </tr> </tbody> </table> <p>HONDA, YAMAHA</p>	MATERIAL AVAILABILITY												FA	TT	V	R	MXS	HH	EPFA	GPFAX	SFA	SFAHH	SFAC	SXR						✓	✓	✓																																								
MATERIAL AVAILABILITY																																																																										
FA	TT	V	R	MXS	HH	EPFA	GPFAX	SFA	SFAHH	SFAC	SXR																																																															
					✓	✓	✓																																																																			
<p>SFA393 77 x 42 x 9.5mm</p>		<table border="1"> <thead> <tr> <th colspan="12">MATERIAL AVAILABILITY</th> </tr> <tr> <th>FA</th><th>TT</th><th>V</th><th>R</th><th>MXS</th><th>HH</th><th>EPFA</th><th>GPFAX</th><th>SFA</th><th>SFAHH</th><th>SFAC</th><th>SXR</th> </tr> </thead> <tbody> <tr> <td></td><td></td><td></td><td></td><td></td><td></td><td></td><td></td><td>✓</td><td></td><td></td><td></td> </tr> </tbody> </table> <p>MBK, YAMAHA</p>	MATERIAL AVAILABILITY												FA	TT	V	R	MXS	HH	EPFA	GPFAX	SFA	SFAHH	SFAC	SXR									✓																																							
MATERIAL AVAILABILITY																																																																										
FA	TT	V	R	MXS	HH	EPFA	GPFAX	SFA	SFAHH	SFAC	SXR																																																															
								✓																																																																		
<p>FA395 94.5 x 45.5 x 7mm</p>		<table border="1"> <thead> <tr> <th colspan="12">MATERIAL AVAILABILITY</th> </tr> <tr> <th>FA</th><th>TT</th><th>V</th><th>R</th><th>MXS</th><th>HH</th><th>EPFA</th><th>GPFAX</th><th>SFA</th><th>SFAHH</th><th>SFAC</th><th>SXR</th> </tr> </thead> <tbody> <tr> <td>✓</td><td>✓</td><td></td><td>✓</td><td></td><td></td><td></td><td></td><td></td><td></td><td></td><td></td> </tr> </tbody> </table> <p>ARCTIC CAT, KYMCO, ARCTIC CAT SIDE X SIDE, MASSEY FERGUSON, PIAGGIO, POLARIS</p>	MATERIAL AVAILABILITY												FA	TT	V	R	MXS	HH	EPFA	GPFAX	SFA	SFAHH	SFAC	SXR	✓	✓		✓																																												
MATERIAL AVAILABILITY																																																																										
FA	TT	V	R	MXS	HH	EPFA	GPFAX	SFA	SFAHH	SFAC	SXR																																																															
✓	✓		✓																																																																							
<p>SFA396 A 99 x 44 x 7.5mm B 75.5 x 38 x 8.5mm</p>		<table border="1"> <thead> <tr> <th colspan="12">MATERIAL AVAILABILITY</th> </tr> <tr> <th>FA</th><th>TT</th><th>V</th><th>R</th><th>MXS</th><th>HH</th><th>EPFA</th><th>GPFAX</th><th>SFA</th><th>SFAHH</th><th>SFAC</th><th>SXR</th> </tr> </thead> <tbody> <tr> <td></td><td></td><td></td><td></td><td></td><td></td><td></td><td></td><td>✓</td><td>✓</td><td></td><td></td> </tr> </tbody> </table> <p>KAWASAKI, SUZUKI</p>	MATERIAL AVAILABILITY												FA	TT	V	R	MXS	HH	EPFA	GPFAX	SFA	SFAHH	SFAC	SXR									✓	✓																																						
MATERIAL AVAILABILITY																																																																										
FA	TT	V	R	MXS	HH	EPFA	GPFAX	SFA	SFAHH	SFAC	SXR																																																															
								✓	✓																																																																	
<p>FA398 95.5 x 40 x 7mm</p>		<table border="1"> <thead> <tr> <th colspan="12">MATERIAL AVAILABILITY</th> </tr> <tr> <th>FA</th><th>TT</th><th>V</th><th>R</th><th>MXS</th><th>HH</th><th>EPFA</th><th>GPFAX</th><th>SFA</th><th>SFAHH</th><th>SFAC</th><th>SXR</th> </tr> </thead> <tbody> <tr> <td></td><td></td><td></td><td>✓</td><td></td><td></td><td></td><td></td><td></td><td></td><td></td><td></td> </tr> </tbody> </table> <p>JOHN DEERE, CAN-AM</p>	MATERIAL AVAILABILITY												FA	TT	V	R	MXS	HH	EPFA	GPFAX	SFA	SFAHH	SFAC	SXR				✓																																												
MATERIAL AVAILABILITY																																																																										
FA	TT	V	R	MXS	HH	EPFA	GPFAX	SFA	SFAHH	SFAC	SXR																																																															
			✓																																																																							
<p>FA399 69.5 x 51.5 x 7mm</p>		<table border="1"> <thead> <tr> <th colspan="12">MATERIAL AVAILABILITY</th> </tr> <tr> <th>FA</th><th>TT</th><th>V</th><th>R</th><th>MXS</th><th>HH</th><th>EPFA</th><th>GPFAX</th><th>SFA</th><th>SFAHH</th><th>SFAC</th><th>SXR</th> </tr> </thead> <tbody> <tr> <td>✓</td><td></td><td></td><td></td><td></td><td></td><td></td><td></td><td></td><td></td><td></td><td></td> </tr> </tbody> </table> <p>APRILIA, BLATA, CONTI, DERBI, GILERA, METRAKIT, MH/MOTORHISPANIA, PEUGEOT, RIEJU</p>	MATERIAL AVAILABILITY												FA	TT	V	R	MXS	HH	EPFA	GPFAX	SFA	SFAHH	SFAC	SXR	✓																																															
MATERIAL AVAILABILITY																																																																										
FA	TT	V	R	MXS	HH	EPFA	GPFAX	SFA	SFAHH	SFAC	SXR																																																															
✓																																																																										
<p>FA400 98 x 64 x 8mm HH = 7.5mm thickness</p>		<table border="1"> <thead> <tr> <th colspan="12">MATERIAL AVAILABILITY</th> </tr> <tr> <th>FA</th><th>TT</th><th>V</th><th>R</th><th>MXS</th><th>HH</th><th>EPFA</th><th>GPFAX</th><th>SFA</th><th>SFAHH</th><th>SFAC</th><th>SXR</th> </tr> </thead> <tbody> <tr> <td>✓</td><td></td><td>✓</td><td></td><td></td><td>✓</td><td>✓</td><td></td><td></td><td></td><td></td><td></td> </tr> </tbody> </table> <p>HARLEY DAVIDSON</p>	MATERIAL AVAILABILITY												FA	TT	V	R	MXS	HH	EPFA	GPFAX	SFA	SFAHH	SFAC	SXR	✓		✓			✓	✓																																									
MATERIAL AVAILABILITY																																																																										
FA	TT	V	R	MXS	HH	EPFA	GPFAX	SFA	SFAHH	SFAC	SXR																																																															
✓		✓			✓	✓																																																																				
<p>FA401 A 99 x 40 x 7.5mm B 75.5 x 40.5 x 8mm</p>		<table border="1"> <thead> <tr> <th colspan="12">MATERIAL AVAILABILITY</th> </tr> <tr> <th>FA</th><th>TT</th><th>V</th><th>R</th><th>MXS</th><th>HH</th><th>EPFA</th><th>GPFAX</th><th>SFA</th><th>SFAHH</th><th>SFAC</th><th>SXR</th> </tr> </thead> <tbody> <tr> <td></td><td>✓</td><td></td><td>✓</td><td></td><td></td><td></td><td></td><td></td><td></td><td></td><td></td> </tr> </tbody> </table> <p>SUZUKI</p>	MATERIAL AVAILABILITY												FA	TT	V	R	MXS	HH	EPFA	GPFAX	SFA	SFAHH	SFAC	SXR		✓		✓																																												
MATERIAL AVAILABILITY																																																																										
FA	TT	V	R	MXS	HH	EPFA	GPFAX	SFA	SFAHH	SFAC	SXR																																																															
	✓		✓																																																																							
<p>FA403 41 x 44.5 x 6.5mm</p>		<table border="1"> <thead> <tr> <th colspan="12">MATERIAL AVAILABILITY</th> </tr> <tr> <th>FA</th><th>TT</th><th>V</th><th>R</th><th>MXS</th><th>HH</th><th>EPFA</th><th>GPFAX</th><th>SFA</th><th>SFAHH</th><th>SFAC</th><th>SXR</th> </tr> </thead> <tbody> <tr> <td>✓</td><td></td><td></td><td></td><td></td><td></td><td></td><td></td><td></td><td></td><td></td><td></td> </tr> </tbody> </table> <p>BETA</p>	MATERIAL AVAILABILITY												FA	TT	V	R	MXS	HH	EPFA	GPFAX	SFA	SFAHH	SFAC	SXR	✓																																															
MATERIAL AVAILABILITY																																																																										
FA	TT	V	R	MXS	HH	EPFA	GPFAX	SFA	SFAHH	SFAC	SXR																																																															
✓																																																																										

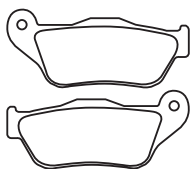
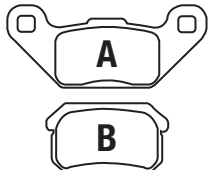
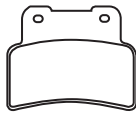

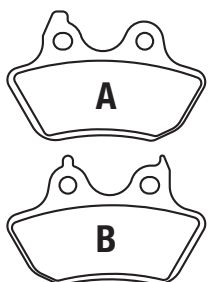
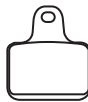
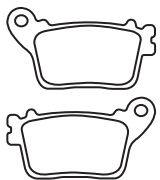
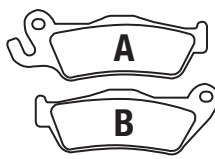
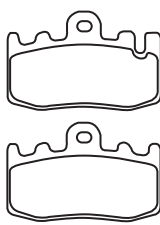

DO NOT REFIT ANY SHIMS/INSULATORS TO EBC PADS FROM ORIGINAL PADS UNLESS INSTRUCTED ON NOTE ON PAD PACKAGING AND ON FA DRAWING ASSOCIATED WITH THAT PAD.

<p>FA405 76.5 x 49.5 x 8mm</p>		<table border="1"> <thead> <tr> <th colspan="12">MATERIAL AVAILABILITY</th> </tr> <tr> <th>FA</th> <th>TT</th> <th>V</th> <th>R</th> <th>MXS</th> <th>HH</th> <th>EPFA</th> <th>GPFAX</th> <th>SFA</th> <th>SFAHH</th> <th>SFAC</th> <th>SXR</th> </tr> </thead> <tbody> <tr> <td></td> <td></td> <td></td> <td></td> <td>✓</td> <td></td> <td>✓</td> <td></td> <td></td> <td></td> <td></td> <td></td> </tr> </tbody> </table> <p>APRILIA, BEHRINGER, FTE, HUSABERG, KTM</p>	MATERIAL AVAILABILITY												FA	TT	V	R	MXS	HH	EPFA	GPFAX	SFA	SFAHH	SFAC	SXR					✓		✓					
MATERIAL AVAILABILITY																																						
FA	TT	V	R	MXS	HH	EPFA	GPFAX	SFA	SFAHH	SFAC	SXR																											
				✓		✓																																
<p>FA406 102 x 49.5 x 8mm</p>		<table border="1"> <thead> <tr> <th colspan="12">MATERIAL AVAILABILITY</th> </tr> <tr> <th>FA</th> <th>TT</th> <th>V</th> <th>R</th> <th>MXS</th> <th>HH</th> <th>EPFA</th> <th>GPFAX</th> <th>SFA</th> <th>SFAHH</th> <th>SFAC</th> <th>SXR</th> </tr> </thead> <tbody> <tr> <td></td> <td></td> <td></td> <td></td> <td>✓</td> <td></td> <td>✓</td> <td></td> <td></td> <td></td> <td></td> <td></td> </tr> </tbody> </table> <p>BEHRINGER, FTE, HUSABERG, KTM</p>	MATERIAL AVAILABILITY												FA	TT	V	R	MXS	HH	EPFA	GPFAX	SFA	SFAHH	SFAC	SXR					✓		✓					
MATERIAL AVAILABILITY																																						
FA	TT	V	R	MXS	HH	EPFA	GPFAX	SFA	SFAHH	SFAC	SXR																											
				✓		✓																																
<p>FA407 100 x 56.5 x 8.5mm</p>		<table border="1"> <thead> <tr> <th colspan="12">MATERIAL AVAILABILITY</th> </tr> <tr> <th>FA</th> <th>TT</th> <th>V</th> <th>R</th> <th>MXS</th> <th>HH</th> <th>EPFA</th> <th>GPFAX</th> <th>SFA</th> <th>SFAHH</th> <th>SFAC</th> <th>SXR</th> </tr> </thead> <tbody> <tr> <td>✓</td> <td></td> <td></td> <td></td> <td></td> <td>✓</td> <td>✓</td> <td></td> <td></td> <td></td> <td></td> <td></td> </tr> </tbody> </table> <p>BMW</p>	MATERIAL AVAILABILITY												FA	TT	V	R	MXS	HH	EPFA	GPFAX	SFA	SFAHH	SFAC	SXR	✓					✓	✓					
MATERIAL AVAILABILITY																																						
FA	TT	V	R	MXS	HH	EPFA	GPFAX	SFA	SFAHH	SFAC	SXR																											
✓					✓	✓																																
<p>SFA408 100 x 38.5 x 16mm</p>		<table border="1"> <thead> <tr> <th colspan="12">MATERIAL AVAILABILITY</th> </tr> <tr> <th>FA</th> <th>TT</th> <th>V</th> <th>R</th> <th>MXS</th> <th>HH</th> <th>EPFA</th> <th>GPFAX</th> <th>SFA</th> <th>SFAHH</th> <th>SFAC</th> <th>SXR</th> </tr> </thead> <tbody> <tr> <td></td> <td></td> <td></td> <td></td> <td></td> <td></td> <td></td> <td></td> <td>✓</td> <td>✓</td> <td>✓</td> <td></td> </tr> </tbody> </table> <p>YAMAHA, MBK</p>	MATERIAL AVAILABILITY												FA	TT	V	R	MXS	HH	EPFA	GPFAX	SFA	SFAHH	SFAC	SXR									✓	✓	✓	
MATERIAL AVAILABILITY																																						
FA	TT	V	R	MXS	HH	EPFA	GPFAX	SFA	SFAHH	SFAC	SXR																											
								✓	✓	✓																												
<p>FA409 92 x 58.5 x 7mm</p>	 	<table border="1"> <thead> <tr> <th colspan="12">MATERIAL AVAILABILITY</th> </tr> <tr> <th>FA</th> <th>TT</th> <th>V</th> <th>R</th> <th>MXS</th> <th>HH</th> <th>EPFA</th> <th>GPFAX</th> <th>SFA</th> <th>SFAHH</th> <th>SFAC</th> <th>SXR</th> </tr> </thead> <tbody> <tr> <td>✓</td> <td></td> <td>✓</td> <td></td> <td></td> <td>✓</td> <td>✓</td> <td></td> <td></td> <td></td> <td></td> <td></td> </tr> </tbody> </table> <p>HARLEY DAVIDSON</p>	MATERIAL AVAILABILITY												FA	TT	V	R	MXS	HH	EPFA	GPFAX	SFA	SFAHH	SFAC	SXR	✓		✓			✓	✓					
MATERIAL AVAILABILITY																																						
FA	TT	V	R	MXS	HH	EPFA	GPFAX	SFA	SFAHH	SFAC	SXR																											
✓		✓			✓	✓																																
<p>FA410 82 x 38.5 x 10mm</p>		<table border="1"> <thead> <tr> <th colspan="12">MATERIAL AVAILABILITY</th> </tr> <tr> <th>FA</th> <th>TT</th> <th>V</th> <th>R</th> <th>MXS</th> <th>HH</th> <th>EPFA</th> <th>GPFAX</th> <th>SFA</th> <th>SFAHH</th> <th>SFAC</th> <th>SXR</th> </tr> </thead> <tbody> <tr> <td></td> <td>✓</td> <td></td> <td>✓</td> <td></td> <td></td> <td></td> <td></td> <td></td> <td></td> <td></td> <td></td> </tr> </tbody> </table> <p>HONDA</p>	MATERIAL AVAILABILITY												FA	TT	V	R	MXS	HH	EPFA	GPFAX	SFA	SFAHH	SFAC	SXR		✓		✓								
MATERIAL AVAILABILITY																																						
FA	TT	V	R	MXS	HH	EPFA	GPFAX	SFA	SFAHH	SFAC	SXR																											
	✓		✓																																			
<p>SFA411 81 x 42 x 8.5mm</p>		<table border="1"> <thead> <tr> <th colspan="12">MATERIAL AVAILABILITY</th> </tr> <tr> <th>FA</th> <th>TT</th> <th>V</th> <th>R</th> <th>MXS</th> <th>HH</th> <th>EPFA</th> <th>GPFAX</th> <th>SFA</th> <th>SFAHH</th> <th>SFAC</th> <th>SXR</th> </tr> </thead> <tbody> <tr> <td></td> <td></td> <td></td> <td></td> <td></td> <td></td> <td></td> <td></td> <td>✓</td> <td>✓</td> <td>✓</td> <td></td> </tr> </tbody> </table> <p>SUZUKI</p>	MATERIAL AVAILABILITY												FA	TT	V	R	MXS	HH	EPFA	GPFAX	SFA	SFAHH	SFAC	SXR									✓	✓	✓	
MATERIAL AVAILABILITY																																						
FA	TT	V	R	MXS	HH	EPFA	GPFAX	SFA	SFAHH	SFAC	SXR																											
								✓	✓	✓																												
<p>SFA412 88 x 46.5 x 8.5mm</p>		<table border="1"> <thead> <tr> <th colspan="12">MATERIAL AVAILABILITY</th> </tr> <tr> <th>FA</th> <th>TT</th> <th>V</th> <th>R</th> <th>MXS</th> <th>HH</th> <th>EPFA</th> <th>GPFAX</th> <th>SFA</th> <th>SFAHH</th> <th>SFAC</th> <th>SXR</th> </tr> </thead> <tbody> <tr> <td></td> <td></td> <td></td> <td></td> <td></td> <td></td> <td></td> <td></td> <td>✓</td> <td>✓</td> <td>✓</td> <td></td> </tr> </tbody> </table> <p>SUZUKI</p>	MATERIAL AVAILABILITY												FA	TT	V	R	MXS	HH	EPFA	GPFAX	SFA	SFAHH	SFAC	SXR									✓	✓	✓	
MATERIAL AVAILABILITY																																						
FA	TT	V	R	MXS	HH	EPFA	GPFAX	SFA	SFAHH	SFAC	SXR																											
								✓	✓	✓																												
<p>FA413 A 82.5 x 41 x 8.5mm B 62 x 41 x 8.5mm</p>	 A  B	<table border="1"> <thead> <tr> <th colspan="12">MATERIAL AVAILABILITY</th> </tr> <tr> <th>FA</th> <th>TT</th> <th>V</th> <th>R</th> <th>MXS</th> <th>HH</th> <th>EPFA</th> <th>GPFAX</th> <th>SFA</th> <th>SFAHH</th> <th>SFAC</th> <th>SXR</th> </tr> </thead> <tbody> <tr> <td></td> <td>✓</td> <td></td> <td>✓</td> <td></td> <td></td> <td></td> <td></td> <td>✓</td> <td>✓</td> <td>✓</td> <td></td> </tr> </tbody> </table> <p>BENELLI, SUZUKI</p>	MATERIAL AVAILABILITY												FA	TT	V	R	MXS	HH	EPFA	GPFAX	SFA	SFAHH	SFAC	SXR		✓		✓					✓	✓	✓	
MATERIAL AVAILABILITY																																						
FA	TT	V	R	MXS	HH	EPFA	GPFAX	SFA	SFAHH	SFAC	SXR																											
	✓		✓					✓	✓	✓																												
<p>FA414 A 82.5 x 41 x 8.5mm B 62 x 41 x 8.5mm</p>	 A  B	<table border="1"> <thead> <tr> <th colspan="12">MATERIAL AVAILABILITY</th> </tr> <tr> <th>FA</th> <th>TT</th> <th>V</th> <th>R</th> <th>MXS</th> <th>HH</th> <th>EPFA</th> <th>GPFAX</th> <th>SFA</th> <th>SFAHH</th> <th>SFAC</th> <th>SXR</th> </tr> </thead> <tbody> <tr> <td></td> <td>✓</td> <td></td> <td>✓</td> <td></td> <td></td> <td></td> <td></td> <td></td> <td></td> <td></td> <td></td> </tr> </tbody> </table> <p>SUZUKI</p>	MATERIAL AVAILABILITY												FA	TT	V	R	MXS	HH	EPFA	GPFAX	SFA	SFAHH	SFAC	SXR		✓		✓								
MATERIAL AVAILABILITY																																						
FA	TT	V	R	MXS	HH	EPFA	GPFAX	SFA	SFAHH	SFAC	SXR																											
	✓		✓																																			
<p>SFA415 81.5 x 37.5 x 9mm</p>		<table border="1"> <thead> <tr> <th colspan="12">MATERIAL AVAILABILITY</th> </tr> <tr> <th>FA</th> <th>TT</th> <th>V</th> <th>R</th> <th>MXS</th> <th>HH</th> <th>EPFA</th> <th>GPFAX</th> <th>SFA</th> <th>SFAHH</th> <th>SFAC</th> <th>SXR</th> </tr> </thead> <tbody> <tr> <td></td> <td></td> <td></td> <td></td> <td></td> <td></td> <td></td> <td></td> <td>✓</td> <td>✓</td> <td>✓</td> <td></td> </tr> </tbody> </table> <p>GENERIC/KSR, HONDA, LEXMOTO, PEUGEOT</p>	MATERIAL AVAILABILITY												FA	TT	V	R	MXS	HH	EPFA	GPFAX	SFA	SFAHH	SFAC	SXR									✓	✓	✓	
MATERIAL AVAILABILITY																																						
FA	TT	V	R	MXS	HH	EPFA	GPFAX	SFA	SFAHH	SFAC	SXR																											
								✓	✓	✓																												

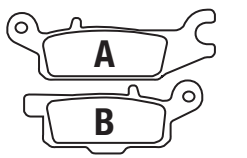
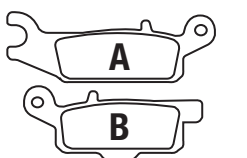
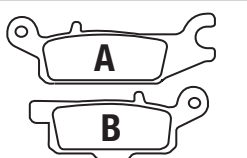
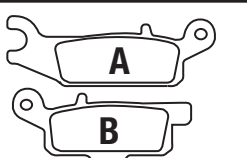
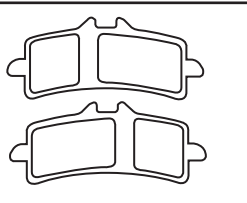

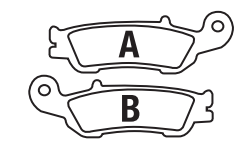
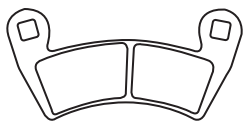
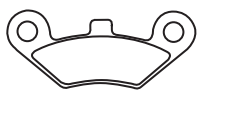
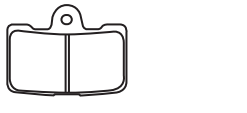
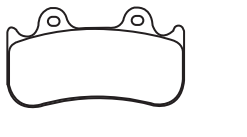
DO NOT REFIT ANY SHIMS/INSULATORS TO EBC PADS FROM ORIGINAL PADS UNLESS INSTRUCTED ON NOTE ON PAD PACKAGING AND ON FA DRAWING ASSOCIATED WITH THAT PAD.

<p>FA416 A 85 x 37 x 8mm B 48 x 32 x 10mm</p>		<table border="1"> <thead> <tr> <th colspan="12">MATERIAL AVAILABILITY</th> </tr> <tr> <th>FA</th> <th>TT</th> <th>V</th> <th>R</th> <th>MXS</th> <th>HH</th> <th>EPFA</th> <th>GPFAX</th> <th>SFA</th> <th>SFAHH</th> <th>SFAC</th> <th>SXR</th> </tr> </thead> <tbody> <tr> <td></td> <td>✓</td> <td></td> <td>✓</td> <td></td> <td></td> <td></td> <td></td> <td>✓</td> <td></td> <td>✓</td> <td></td> </tr> </tbody> </table> <p>ADLY, EXPLORER, FANTIC, HAMMERHEAD BUGGIES, KAZUMA, MH, PGO, QUADZILLA</p>	MATERIAL AVAILABILITY												FA	TT	V	R	MXS	HH	EPFA	GPFAX	SFA	SFAHH	SFAC	SXR		✓		✓					✓		✓	
MATERIAL AVAILABILITY																																						
FA	TT	V	R	MXS	HH	EPFA	GPFAX	SFA	SFAHH	SFAC	SXR																											
	✓		✓					✓		✓																												
<p>FA417/4 38 x 50 x 8mm</p>		<table border="1"> <thead> <tr> <th colspan="12">MATERIAL AVAILABILITY</th> </tr> <tr> <th>FA</th> <th>TT</th> <th>V</th> <th>R</th> <th>MXS</th> <th>HH</th> <th>EPFA</th> <th>GPFAX</th> <th>SFA</th> <th>SFAHH</th> <th>SFAC</th> <th>SXR</th> </tr> </thead> <tbody> <tr> <td></td> <td></td> <td></td> <td></td> <td></td> <td>✓</td> <td>✓</td> <td>✓</td> <td></td> <td></td> <td></td> <td></td> </tr> </tbody> </table> <p>KAWASAKI, MASH</p>	MATERIAL AVAILABILITY												FA	TT	V	R	MXS	HH	EPFA	GPFAX	SFA	SFAHH	SFAC	SXR						✓	✓	✓				
MATERIAL AVAILABILITY																																						
FA	TT	V	R	MXS	HH	EPFA	GPFAX	SFA	SFAHH	SFAC	SXR																											
					✓	✓	✓																															
<p>SFA418 A 97 x 41.5 x 9.5mm B 77 x 41.5 x 9.5mm</p>		<table border="1"> <thead> <tr> <th colspan="12">MATERIAL AVAILABILITY</th> </tr> <tr> <th>FA</th> <th>TT</th> <th>V</th> <th>R</th> <th>MXS</th> <th>HH</th> <th>EPFA</th> <th>GPFAX</th> <th>SFA</th> <th>SFAHH</th> <th>SFAC</th> <th>SXR</th> </tr> </thead> <tbody> <tr> <td></td> <td></td> <td></td> <td></td> <td></td> <td></td> <td></td> <td></td> <td>✓</td> <td>✓</td> <td>✓</td> <td></td> </tr> </tbody> </table> <p>APRILIA, PIAGGIO</p>	MATERIAL AVAILABILITY												FA	TT	V	R	MXS	HH	EPFA	GPFAX	SFA	SFAHH	SFAC	SXR									✓	✓	✓	
MATERIAL AVAILABILITY																																						
FA	TT	V	R	MXS	HH	EPFA	GPFAX	SFA	SFAHH	SFAC	SXR																											
								✓	✓	✓																												
<p>FA419 A 89 x 40.5 x 9.5mm B 89 x 40.5 x 9.5mm</p>		<table border="1"> <thead> <tr> <th colspan="12">MATERIAL AVAILABILITY</th> </tr> <tr> <th>FA</th> <th>TT</th> <th>V</th> <th>R</th> <th>MXS</th> <th>HH</th> <th>EPFA</th> <th>GPFAX</th> <th>SFA</th> <th>SFAHH</th> <th>SFAC</th> <th>SXR</th> </tr> </thead> <tbody> <tr> <td>✓</td> <td></td> <td>✓</td> <td></td> <td></td> <td>✓</td> <td></td> <td></td> <td></td> <td></td> <td></td> <td></td> </tr> </tbody> </table> <p>SUZUKI</p>	MATERIAL AVAILABILITY												FA	TT	V	R	MXS	HH	EPFA	GPFAX	SFA	SFAHH	SFAC	SXR	✓		✓			✓						
MATERIAL AVAILABILITY																																						
FA	TT	V	R	MXS	HH	EPFA	GPFAX	SFA	SFAHH	SFAC	SXR																											
✓		✓			✓																																	
<p>FA420 69.5 x 54.5 x 8mm</p>		<table border="1"> <thead> <tr> <th colspan="12">MATERIAL AVAILABILITY</th> </tr> <tr> <th>FA</th> <th>TT</th> <th>V</th> <th>R</th> <th>MXS</th> <th>HH</th> <th>EPFA</th> <th>GPFAX</th> <th>SFA</th> <th>SFAHH</th> <th>SFAC</th> <th>SXR</th> </tr> </thead> <tbody> <tr> <td></td> <td></td> <td></td> <td></td> <td></td> <td>✓</td> <td></td> <td></td> <td></td> <td></td> <td></td> <td></td> </tr> </tbody> </table> <p>PERFORMANCE MACHINE CALIPERS</p>	MATERIAL AVAILABILITY												FA	TT	V	R	MXS	HH	EPFA	GPFAX	SFA	SFAHH	SFAC	SXR						✓						
MATERIAL AVAILABILITY																																						
FA	TT	V	R	MXS	HH	EPFA	GPFAX	SFA	SFAHH	SFAC	SXR																											
					✓																																	
<p>FA423/4 45.5 x 53.5 x 8.5mm</p>		<table border="1"> <thead> <tr> <th colspan="12">MATERIAL AVAILABILITY</th> </tr> <tr> <th>FA</th> <th>TT</th> <th>V</th> <th>R</th> <th>MXS</th> <th>HH</th> <th>EPFA</th> <th>GPFAX</th> <th>SFA</th> <th>SFAHH</th> <th>SFAC</th> <th>SXR</th> </tr> </thead> <tbody> <tr> <td></td> <td></td> <td></td> <td></td> <td></td> <td>✓</td> <td></td> <td></td> <td></td> <td></td> <td></td> <td></td> </tr> </tbody> </table> <p>TRIUMPH, YAMAHA</p>	MATERIAL AVAILABILITY												FA	TT	V	R	MXS	HH	EPFA	GPFAX	SFA	SFAHH	SFAC	SXR						✓						
MATERIAL AVAILABILITY																																						
FA	TT	V	R	MXS	HH	EPFA	GPFAX	SFA	SFAHH	SFAC	SXR																											
					✓																																	
<p>FA424 91.5 x 51.5 x 8mm</p>		<table border="1"> <thead> <tr> <th colspan="12">MATERIAL AVAILABILITY</th> </tr> <tr> <th>FA</th> <th>TT</th> <th>V</th> <th>R</th> <th>MXS</th> <th>HH</th> <th>EPFA</th> <th>GPFAX</th> <th>SFA</th> <th>SFAHH</th> <th>SFAC</th> <th>SXR</th> </tr> </thead> <tbody> <tr> <td>✓</td> <td></td> <td></td> <td></td> <td></td> <td>✓</td> <td></td> <td></td> <td></td> <td></td> <td></td> <td></td> </tr> </tbody> </table> <p>HONDA, KAWASAKI, YAMAHA, BUELL, HHI Hawg Halters, MV</p>	MATERIAL AVAILABILITY												FA	TT	V	R	MXS	HH	EPFA	GPFAX	SFA	SFAHH	SFAC	SXR	✓					✓						
MATERIAL AVAILABILITY																																						
FA	TT	V	R	MXS	HH	EPFA	GPFAX	SFA	SFAHH	SFAC	SXR																											
✓					✓																																	
<p>SFA425 55.5 x 54.5 x 8mm</p>		<table border="1"> <thead> <tr> <th colspan="12">MATERIAL AVAILABILITY</th> </tr> <tr> <th>FA</th> <th>TT</th> <th>V</th> <th>R</th> <th>MXS</th> <th>HH</th> <th>EPFA</th> <th>GPFAX</th> <th>SFA</th> <th>SFAHH</th> <th>SFAC</th> <th>SXR</th> </tr> </thead> <tbody> <tr> <td></td> <td></td> <td></td> <td></td> <td></td> <td></td> <td></td> <td></td> <td>✓</td> <td>✓</td> <td>✓</td> <td></td> </tr> </tbody> </table> <p>PIAGGIO</p>	MATERIAL AVAILABILITY												FA	TT	V	R	MXS	HH	EPFA	GPFAX	SFA	SFAHH	SFAC	SXR									✓	✓	✓	
MATERIAL AVAILABILITY																																						
FA	TT	V	R	MXS	HH	EPFA	GPFAX	SFA	SFAHH	SFAC	SXR																											
								✓	✓	✓																												
<p>FA426 64 x 48 x 8mm</p>		<table border="1"> <thead> <tr> <th colspan="12">MATERIAL AVAILABILITY</th> </tr> <tr> <th>FA</th> <th>TT</th> <th>V</th> <th>R</th> <th>MXS</th> <th>HH</th> <th>EPFA</th> <th>GPFAX</th> <th>SFA</th> <th>SFAHH</th> <th>SFAC</th> <th>SXR</th> </tr> </thead> <tbody> <tr> <td>✓</td> <td></td> <td></td> <td></td> <td></td> <td></td> <td></td> <td></td> <td></td> <td></td> <td></td> <td></td> </tr> </tbody> </table> <p>BETA</p>	MATERIAL AVAILABILITY												FA	TT	V	R	MXS	HH	EPFA	GPFAX	SFA	SFAHH	SFAC	SXR	✓											
MATERIAL AVAILABILITY																																						
FA	TT	V	R	MXS	HH	EPFA	GPFAX	SFA	SFAHH	SFAC	SXR																											
✓																																						
<p>SFA427 94 x 36 x 10mm</p>		<table border="1"> <thead> <tr> <th colspan="12">MATERIAL AVAILABILITY</th> </tr> <tr> <th>FA</th> <th>TT</th> <th>V</th> <th>R</th> <th>MXS</th> <th>HH</th> <th>EPFA</th> <th>GPFAX</th> <th>SFA</th> <th>SFAHH</th> <th>SFAC</th> <th>SXR</th> </tr> </thead> <tbody> <tr> <td></td> <td>✓</td> <td></td> <td>✓</td> <td></td> <td></td> <td></td> <td></td> <td>✓</td> <td>✓</td> <td>✓</td> <td></td> </tr> </tbody> </table> <p>ADIVA, DAELIM, E-TON, H P POWER, KYMCO, PEUGEOT, SYM, TGB</p>	MATERIAL AVAILABILITY												FA	TT	V	R	MXS	HH	EPFA	GPFAX	SFA	SFAHH	SFAC	SXR		✓		✓					✓	✓	✓	
MATERIAL AVAILABILITY																																						
FA	TT	V	R	MXS	HH	EPFA	GPFAX	SFA	SFAHH	SFAC	SXR																											
	✓		✓					✓	✓	✓																												
<p>SFA428 A 82 x 41 x 9.5mm B 62 x 41 x 9.5mm</p>		<table border="1"> <thead> <tr> <th colspan="12">MATERIAL AVAILABILITY</th> </tr> <tr> <th>FA</th> <th>TT</th> <th>V</th> <th>R</th> <th>MXS</th> <th>HH</th> <th>EPFA</th> <th>GPFAX</th> <th>SFA</th> <th>SFAHH</th> <th>SFAC</th> <th>SXR</th> </tr> </thead> <tbody> <tr> <td></td> <td>✓</td> <td></td> <td>✓</td> <td></td> <td></td> <td></td> <td></td> <td></td> <td></td> <td></td> <td></td> </tr> </tbody> </table> <p>YAMAHA</p>	MATERIAL AVAILABILITY												FA	TT	V	R	MXS	HH	EPFA	GPFAX	SFA	SFAHH	SFAC	SXR		✓		✓								
MATERIAL AVAILABILITY																																						
FA	TT	V	R	MXS	HH	EPFA	GPFAX	SFA	SFAHH	SFAC	SXR																											
	✓		✓																																			


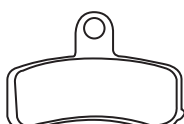


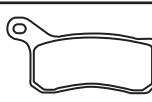
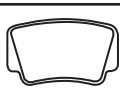
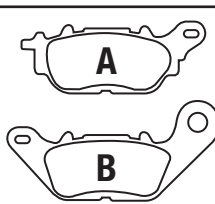
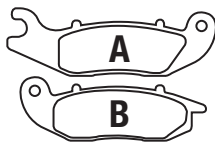


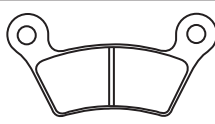
DO NOT REFIT ANY SHIMS/INSULATORS TO EBC PADS FROM ORIGINAL PADS UNLESS INSTRUCTED ON NOTE ON PAD PACKAGING AND ON FA DRAWING ASSOCIATED WITH THAT PAD.

<p>FA430 94.5 x 40 x 7.5mm</p>		<table border="1"> <thead> <tr> <th colspan="12">MATERIAL AVAILABILITY</th> </tr> <tr> <th>FA</th> <th>TT</th> <th>V</th> <th>R</th> <th>MXS</th> <th>HH</th> <th>EPFA</th> <th>GPFAX</th> <th>SFA</th> <th>SFAHH</th> <th>SFAC</th> <th>SXR</th> </tr> </thead> <tbody> <tr> <td></td> <td></td> <td></td> <td></td> <td></td> <td></td> <td></td> <td></td> <td>✓</td> <td>✓</td> <td>✓</td> <td></td> </tr> </tbody> </table> <p>MBK, YAMAHA</p>	MATERIAL AVAILABILITY												FA	TT	V	R	MXS	HH	EPFA	GPFAX	SFA	SFAHH	SFAC	SXR									✓	✓	✓	
MATERIAL AVAILABILITY																																						
FA	TT	V	R	MXS	HH	EPFA	GPFAX	SFA	SFAHH	SFAC	SXR																											
								✓	✓	✓																												
<p>FA431 A 103.5 x 42.5 x 8.5mm B 63 x 34.5 x 11mm</p>		<table border="1"> <thead> <tr> <th colspan="12">MATERIAL AVAILABILITY</th> </tr> <tr> <th>FA</th> <th>TT</th> <th>V</th> <th>R</th> <th>MXS</th> <th>HH</th> <th>EPFA</th> <th>GPFAX</th> <th>SFA</th> <th>SFAHH</th> <th>SFAC</th> <th>SXR</th> </tr> </thead> <tbody> <tr> <td></td> <td>✓</td> <td></td> <td>✓</td> <td></td> <td></td> <td></td> <td></td> <td></td> <td></td> <td></td> <td></td> </tr> </tbody> </table> <p>ADLY, CPI, EXPLORER, HAMMERHEAD BUGGIES, QUADZILLA, PGO</p>	MATERIAL AVAILABILITY												FA	TT	V	R	MXS	HH	EPFA	GPFAX	SFA	SFAHH	SFAC	SXR		✓		✓								
MATERIAL AVAILABILITY																																						
FA	TT	V	R	MXS	HH	EPFA	GPFAX	SFA	SFAHH	SFAC	SXR																											
	✓		✓																																			
<p>FA432 68.5 x 55.5 x 9mm</p>		<table border="1"> <thead> <tr> <th colspan="12">MATERIAL AVAILABILITY</th> </tr> <tr> <th>FA</th> <th>TT</th> <th>V</th> <th>R</th> <th>MXS</th> <th>HH</th> <th>EPFA</th> <th>GPFAX</th> <th>SFA</th> <th>SFAHH</th> <th>SFAC</th> <th>SXR</th> </tr> </thead> <tbody> <tr> <td>✓</td> <td></td> <td></td> <td></td> <td></td> <td>✓</td> <td></td> <td></td> <td>✓</td> <td>✓</td> <td></td> <td></td> </tr> </tbody> </table> <p>APRILIA, KYMCO, YAMAHA</p>	MATERIAL AVAILABILITY												FA	TT	V	R	MXS	HH	EPFA	GPFAX	SFA	SFAHH	SFAC	SXR	✓					✓			✓	✓		
MATERIAL AVAILABILITY																																						
FA	TT	V	R	MXS	HH	EPFA	GPFAX	SFA	SFAHH	SFAC	SXR																											
✓					✓			✓	✓																													
<p>FA433/4 35 x 46 x 7.5mm</p>		<table border="1"> <thead> <tr> <th colspan="12">MATERIAL AVAILABILITY</th> </tr> <tr> <th>FA</th> <th>TT</th> <th>V</th> <th>R</th> <th>MXS</th> <th>HH</th> <th>EPFA</th> <th>GPFAX</th> <th>SFA</th> <th>SFAHH</th> <th>SFAC</th> <th>SXR</th> </tr> </thead> <tbody> <tr> <td>✓</td> <td></td> <td></td> <td></td> <td></td> <td>✓</td> <td>✓</td> <td></td> <td></td> <td></td> <td></td> <td></td> </tr> </tbody> </table> <p>HONDA HM Italy, HUSABERG, KTM, MAGURA</p>	MATERIAL AVAILABILITY												FA	TT	V	R	MXS	HH	EPFA	GPFAX	SFA	SFAHH	SFAC	SXR	✓					✓	✓					
MATERIAL AVAILABILITY																																						
FA	TT	V	R	MXS	HH	EPFA	GPFAX	SFA	SFAHH	SFAC	SXR																											
✓					✓	✓																																
<p>FA434 A 98 x 64 x 8mm B 98 x 64 x 8mm</p>		<table border="1"> <thead> <tr> <th colspan="12">MATERIAL AVAILABILITY</th> </tr> <tr> <th>FA</th> <th>TT</th> <th>V</th> <th>R</th> <th>MXS</th> <th>HH</th> <th>EPFA</th> <th>GPFAX</th> <th>SFA</th> <th>SFAHH</th> <th>SFAC</th> <th>SXR</th> </tr> </thead> <tbody> <tr> <td>✓</td> <td></td> <td>✓</td> <td></td> <td></td> <td>✓</td> <td></td> <td></td> <td></td> <td></td> <td></td> <td></td> </tr> </tbody> </table> <p>HARLEY DAVIDSON</p>	MATERIAL AVAILABILITY												FA	TT	V	R	MXS	HH	EPFA	GPFAX	SFA	SFAHH	SFAC	SXR	✓		✓			✓						
MATERIAL AVAILABILITY																																						
FA	TT	V	R	MXS	HH	EPFA	GPFAX	SFA	SFAHH	SFAC	SXR																											
✓		✓			✓																																	
<p>FA435/4 43.5 x 49 x 9.5mm</p>		<table border="1"> <thead> <tr> <th colspan="12">MATERIAL AVAILABILITY</th> </tr> <tr> <th>FA</th> <th>TT</th> <th>V</th> <th>R</th> <th>MXS</th> <th>HH</th> <th>EPFA</th> <th>GPFAX</th> <th>SFA</th> <th>SFAHH</th> <th>SFAC</th> <th>SXR</th> </tr> </thead> <tbody> <tr> <td></td> <td></td> <td></td> <td></td> <td></td> <td>✓</td> <td>✓</td> <td>✓</td> <td></td> <td></td> <td></td> <td></td> </tr> </tbody> </table> <p>AP/LOCKHEED, BREMBO, MV AGUSTA, PVM</p>	MATERIAL AVAILABILITY												FA	TT	V	R	MXS	HH	EPFA	GPFAX	SFA	SFAHH	SFAC	SXR						✓	✓	✓				
MATERIAL AVAILABILITY																																						
FA	TT	V	R	MXS	HH	EPFA	GPFAX	SFA	SFAHH	SFAC	SXR																											
					✓	✓	✓																															
<p>FA436 77.5 x 42 x 9mm</p>		<table border="1"> <thead> <tr> <th colspan="12">MATERIAL AVAILABILITY</th> </tr> <tr> <th>FA</th> <th>TT</th> <th>V</th> <th>R</th> <th>MXS</th> <th>HH</th> <th>EPFA</th> <th>GPFAX</th> <th>SFA</th> <th>SFAHH</th> <th>SFAC</th> <th>SXR</th> </tr> </thead> <tbody> <tr> <td>✓</td> <td></td> <td>✓</td> <td></td> <td></td> <td>✓</td> <td></td> <td></td> <td></td> <td></td> <td></td> <td></td> </tr> </tbody> </table> <p>HONDA, KAWASAKI, SUZUKI, YAMAHA</p>	MATERIAL AVAILABILITY												FA	TT	V	R	MXS	HH	EPFA	GPFAX	SFA	SFAHH	SFAC	SXR	✓		✓			✓						
MATERIAL AVAILABILITY																																						
FA	TT	V	R	MXS	HH	EPFA	GPFAX	SFA	SFAHH	SFAC	SXR																											
✓		✓			✓																																	
<p>FA438 A 103 x 36.5 x 8.5mm B 94 x 36.5 x 8.5mm</p>		<table border="1"> <thead> <tr> <th colspan="12">MATERIAL AVAILABILITY</th> </tr> <tr> <th>FA</th> <th>TT</th> <th>V</th> <th>R</th> <th>MXS</th> <th>HH</th> <th>EPFA</th> <th>GPFAX</th> <th>SFA</th> <th>SFAHH</th> <th>SFAC</th> <th>SXR</th> </tr> </thead> <tbody> <tr> <td></td> <td></td> <td></td> <td></td> <td></td> <td>✓</td> <td></td> <td></td> <td></td> <td></td> <td></td> <td></td> </tr> </tbody> </table> <p>BMW</p>	MATERIAL AVAILABILITY												FA	TT	V	R	MXS	HH	EPFA	GPFAX	SFA	SFAHH	SFAC	SXR						✓						
MATERIAL AVAILABILITY																																						
FA	TT	V	R	MXS	HH	EPFA	GPFAX	SFA	SFAHH	SFAC	SXR																											
					✓																																	
<p>FA441 77 x 51.5 x 8.5mm</p>		<table border="1"> <thead> <tr> <th colspan="12">MATERIAL AVAILABILITY</th> </tr> <tr> <th>FA</th> <th>TT</th> <th>V</th> <th>R</th> <th>MXS</th> <th>HH</th> <th>EPFA</th> <th>GPFAX</th> <th>SFA</th> <th>SFAHH</th> <th>SFAC</th> <th>SXR</th> </tr> </thead> <tbody> <tr> <td></td> <td></td> <td></td> <td></td> <td></td> <td>✓</td> <td></td> <td></td> <td></td> <td></td> <td></td> <td></td> </tr> </tbody> </table> <p>BMW</p>	MATERIAL AVAILABILITY												FA	TT	V	R	MXS	HH	EPFA	GPFAX	SFA	SFAHH	SFAC	SXR						✓						
MATERIAL AVAILABILITY																																						
FA	TT	V	R	MXS	HH	EPFA	GPFAX	SFA	SFAHH	SFAC	SXR																											
					✓																																	
<p>FA442/4 A 62 x 44.5 x 8mm B 31 x 48 x 8mm</p>		<table border="1"> <thead> <tr> <th colspan="12">MATERIAL AVAILABILITY</th> </tr> <tr> <th>FA</th> <th>TT</th> <th>V</th> <th>R</th> <th>MXS</th> <th>HH</th> <th>EPFA</th> <th>GPFAX</th> <th>SFA</th> <th>SFAHH</th> <th>SFAC</th> <th>SXR</th> </tr> </thead> <tbody> <tr> <td>✓</td> <td></td> <td></td> <td></td> <td></td> <td>✓</td> <td>✓</td> <td>✓</td> <td></td> <td></td> <td></td> <td></td> </tr> </tbody> </table> <p>YAMAHA</p>	MATERIAL AVAILABILITY												FA	TT	V	R	MXS	HH	EPFA	GPFAX	SFA	SFAHH	SFAC	SXR	✓					✓	✓	✓				
MATERIAL AVAILABILITY																																						
FA	TT	V	R	MXS	HH	EPFA	GPFAX	SFA	SFAHH	SFAC	SXR																											
✓					✓	✓	✓																															



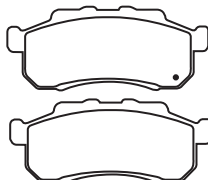
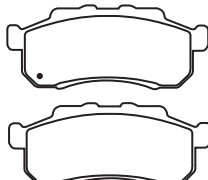
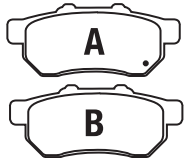
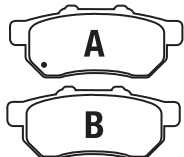
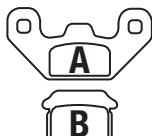



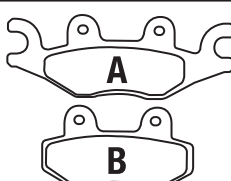
DO NOT REFIT ANY SHIMS/INSULATORS TO EBC PADS FROM ORIGINAL PADS UNLESS INSTRUCTED ON NOTE ON PAD PACKAGING AND ON FA DRAWING ASSOCIATED WITH THAT PAD.

<p>FA443 A 107 x 36.5 x 8mm B 91.5 x 36.5 x 7.5mm</p>		<table border="1"> <thead> <tr> <th colspan="12">MATERIAL AVAILABILITY</th> </tr> <tr> <th>FA</th> <th>TT</th> <th>V</th> <th>R</th> <th>MXS</th> <th>HH</th> <th>EPFA</th> <th>GPFAX</th> <th>SFA</th> <th>SFAHH</th> <th>SFAC</th> <th>SXR</th> </tr> </thead> <tbody> <tr> <td></td> <td>✓</td> <td></td> <td>✓</td> <td></td> <td></td> <td></td> <td></td> <td></td> <td></td> <td></td> <td></td> </tr> </tbody> </table> <p>YAMAHA</p>	MATERIAL AVAILABILITY												FA	TT	V	R	MXS	HH	EPFA	GPFAX	SFA	SFAHH	SFAC	SXR		✓		✓								
MATERIAL AVAILABILITY																																						
FA	TT	V	R	MXS	HH	EPFA	GPFAX	SFA	SFAHH	SFAC	SXR																											
	✓		✓																																			
<p>FA444 A 107 x 36.5 x 8mm B 91.5 x 36.5 x 8mm</p>		<table border="1"> <thead> <tr> <th colspan="12">MATERIAL AVAILABILITY</th> </tr> <tr> <th>FA</th> <th>TT</th> <th>V</th> <th>R</th> <th>MXS</th> <th>HH</th> <th>EPFA</th> <th>GPFAX</th> <th>SFA</th> <th>SFAHH</th> <th>SFAC</th> <th>SXR</th> </tr> </thead> <tbody> <tr> <td>✓</td> <td>✓</td> <td></td> <td>✓</td> <td></td> <td></td> <td></td> <td></td> <td></td> <td></td> <td></td> <td></td> </tr> </tbody> </table> <p>YAMAHA</p>	MATERIAL AVAILABILITY												FA	TT	V	R	MXS	HH	EPFA	GPFAX	SFA	SFAHH	SFAC	SXR	✓	✓		✓								
MATERIAL AVAILABILITY																																						
FA	TT	V	R	MXS	HH	EPFA	GPFAX	SFA	SFAHH	SFAC	SXR																											
✓	✓		✓																																			
<p>FA445 A 107 x 36.5 x 8mm B 91.5 x 36.5 x 8mm</p>		<table border="1"> <thead> <tr> <th colspan="12">MATERIAL AVAILABILITY</th> </tr> <tr> <th>FA</th> <th>TT</th> <th>V</th> <th>R</th> <th>MXS</th> <th>HH</th> <th>EPFA</th> <th>GPFAX</th> <th>SFA</th> <th>SFAHH</th> <th>SFAC</th> <th>SXR</th> </tr> </thead> <tbody> <tr> <td>✓</td> <td>✓</td> <td></td> <td>✓</td> <td></td> <td></td> <td></td> <td></td> <td></td> <td></td> <td></td> <td></td> </tr> </tbody> </table> <p>YAMAHA</p>	MATERIAL AVAILABILITY												FA	TT	V	R	MXS	HH	EPFA	GPFAX	SFA	SFAHH	SFAC	SXR	✓	✓		✓								
MATERIAL AVAILABILITY																																						
FA	TT	V	R	MXS	HH	EPFA	GPFAX	SFA	SFAHH	SFAC	SXR																											
✓	✓		✓																																			
<p>FA446 A 107 x 36.5 x 9mm B 91.5 x 36.5 x 9mm</p>		<table border="1"> <thead> <tr> <th colspan="12">MATERIAL AVAILABILITY</th> </tr> <tr> <th>FA</th> <th>TT</th> <th>V</th> <th>R</th> <th>MXS</th> <th>HH</th> <th>EPFA</th> <th>GPFAX</th> <th>SFA</th> <th>SFAHH</th> <th>SFAC</th> <th>SXR</th> </tr> </thead> <tbody> <tr> <td>✓</td> <td>✓</td> <td></td> <td>✓</td> <td></td> <td></td> <td></td> <td></td> <td></td> <td></td> <td></td> <td></td> </tr> </tbody> </table> <p>YAMAHA</p>	MATERIAL AVAILABILITY												FA	TT	V	R	MXS	HH	EPFA	GPFAX	SFA	SFAHH	SFAC	SXR	✓	✓		✓								
MATERIAL AVAILABILITY																																						
FA	TT	V	R	MXS	HH	EPFA	GPFAX	SFA	SFAHH	SFAC	SXR																											
✓	✓		✓																																			
<p>FA447 102 x 42 x 7.5mm</p>		<table border="1"> <thead> <tr> <th colspan="12">MATERIAL AVAILABILITY</th> </tr> <tr> <th>FA</th> <th>TT</th> <th>V</th> <th>R</th> <th>MXS</th> <th>HH</th> <th>EPFA</th> <th>GPFAX</th> <th>SFA</th> <th>SFAHH</th> <th>SFAC</th> <th>SXR</th> </tr> </thead> <tbody> <tr> <td></td> <td></td> <td></td> <td></td> <td></td> <td>✓</td> <td>✓</td> <td>✓</td> <td></td> <td></td> <td></td> <td></td> </tr> </tbody> </table> <p>APRILIA, BENELLI, BIMOTA, BMW, BREMBO, DUCATI, ENERGICA ELECTRIC, HONDA, HUSQVARNA, KAWASAKI, KTM, MOTO MORINI, MV AGUSTA, SUZUKI, TM RACING, TRIUMPH, YAMAHA</p>	MATERIAL AVAILABILITY												FA	TT	V	R	MXS	HH	EPFA	GPFAX	SFA	SFAHH	SFAC	SXR						✓	✓	✓				
MATERIAL AVAILABILITY																																						
FA	TT	V	R	MXS	HH	EPFA	GPFAX	SFA	SFAHH	SFAC	SXR																											
					✓	✓	✓																															
<p>FA448 58 x 33.5 x 6mm</p>		<table border="1"> <thead> <tr> <th colspan="12">MATERIAL AVAILABILITY</th> </tr> <tr> <th>FA</th> <th>TT</th> <th>V</th> <th>R</th> <th>MXS</th> <th>HH</th> <th>EPFA</th> <th>GPFAX</th> <th>SFA</th> <th>SFAHH</th> <th>SFAC</th> <th>SXR</th> </tr> </thead> <tbody> <tr> <td>✓</td> <td></td> <td></td> <td></td> <td></td> <td></td> <td></td> <td></td> <td></td> <td></td> <td></td> <td></td> </tr> </tbody> </table> <p>ELSTARS PIT BIKES, ITALJET, GENERIC/KSR, LIFAN, MOTOM, QUADZILLA, STOMP MINI MOTO</p>	MATERIAL AVAILABILITY												FA	TT	V	R	MXS	HH	EPFA	GPFAX	SFA	SFAHH	SFAC	SXR	✓											
MATERIAL AVAILABILITY																																						
FA	TT	V	R	MXS	HH	EPFA	GPFAX	SFA	SFAHH	SFAC	SXR																											
✓																																						
<p>FA450 A 94 x 31.5 x 7mm B 94 x 31.5 x 7mm</p>		<table border="1"> <thead> <tr> <th colspan="12">MATERIAL AVAILABILITY</th> </tr> <tr> <th>FA</th> <th>TT</th> <th>V</th> <th>R</th> <th>MXS</th> <th>HH</th> <th>EPFA</th> <th>GPFAX</th> <th>SFA</th> <th>SFAHH</th> <th>SFAC</th> <th>SXR</th> </tr> </thead> <tbody> <tr> <td></td> <td>✓</td> <td></td> <td>✓</td> <td>✓</td> <td></td> <td>✓</td> <td></td> <td></td> <td></td> <td></td> <td></td> </tr> </tbody> </table> <p>FANTIC, YAMAHA</p>	MATERIAL AVAILABILITY												FA	TT	V	R	MXS	HH	EPFA	GPFAX	SFA	SFAHH	SFAC	SXR		✓		✓	✓		✓					
MATERIAL AVAILABILITY																																						
FA	TT	V	R	MXS	HH	EPFA	GPFAX	SFA	SFAHH	SFAC	SXR																											
	✓		✓	✓		✓																																
<p>FA452 120.5 x 57 x 7mm</p>		<table border="1"> <thead> <tr> <th colspan="12">MATERIAL AVAILABILITY</th> </tr> <tr> <th>FA</th> <th>TT</th> <th>V</th> <th>R</th> <th>MXS</th> <th>HH</th> <th>EPFA</th> <th>GPFAX</th> <th>SFA</th> <th>SFAHH</th> <th>SFAC</th> <th>SXR</th> </tr> </thead> <tbody> <tr> <td></td> <td>✓</td> <td></td> <td>✓</td> <td></td> <td></td> <td></td> <td></td> <td></td> <td></td> <td></td> <td>✓</td> </tr> </tbody> </table> <p>POLARIS</p>	MATERIAL AVAILABILITY												FA	TT	V	R	MXS	HH	EPFA	GPFAX	SFA	SFAHH	SFAC	SXR		✓		✓								✓
MATERIAL AVAILABILITY																																						
FA	TT	V	R	MXS	HH	EPFA	GPFAX	SFA	SFAHH	SFAC	SXR																											
	✓		✓								✓																											
<p>FA453 97 x 39.5 x 7.5mm</p>		<table border="1"> <thead> <tr> <th colspan="12">MATERIAL AVAILABILITY</th> </tr> <tr> <th>FA</th> <th>TT</th> <th>V</th> <th>R</th> <th>MXS</th> <th>HH</th> <th>EPFA</th> <th>GPFAX</th> <th>SFA</th> <th>SFAHH</th> <th>SFAC</th> <th>SXR</th> </tr> </thead> <tbody> <tr> <td></td> <td>✓</td> <td></td> <td>✓</td> <td></td> <td></td> <td></td> <td></td> <td></td> <td></td> <td></td> <td></td> </tr> </tbody> </table> <p>AJS, C F MOTO, EXPLORER, GOES, LINHAI, NEW FORCE QUADS, PEUGEOT, QUADZILLA, W.T. MOTORS</p>	MATERIAL AVAILABILITY												FA	TT	V	R	MXS	HH	EPFA	GPFAX	SFA	SFAHH	SFAC	SXR		✓		✓								
MATERIAL AVAILABILITY																																						
FA	TT	V	R	MXS	HH	EPFA	GPFAX	SFA	SFAHH	SFAC	SXR																											
	✓		✓																																			
<p>FA454/4 61.5 x 46.5 x 7.5mm</p>		<table border="1"> <thead> <tr> <th colspan="12">MATERIAL AVAILABILITY</th> </tr> <tr> <th>FA</th> <th>TT</th> <th>V</th> <th>R</th> <th>MXS</th> <th>HH</th> <th>EPFA</th> <th>GPFAX</th> <th>SFA</th> <th>SFAHH</th> <th>SFAC</th> <th>SXR</th> </tr> </thead> <tbody> <tr> <td></td> <td></td> <td></td> <td></td> <td></td> <td>✓</td> <td>✓</td> <td></td> <td></td> <td></td> <td></td> <td></td> </tr> </tbody> </table> <p>BUELL, EBR</p>	MATERIAL AVAILABILITY												FA	TT	V	R	MXS	HH	EPFA	GPFAX	SFA	SFAHH	SFAC	SXR						✓	✓					
MATERIAL AVAILABILITY																																						
FA	TT	V	R	MXS	HH	EPFA	GPFAX	SFA	SFAHH	SFAC	SXR																											
					✓	✓																																
<p>FA455 99 x 54.5 x 9mm</p>		<table border="1"> <thead> <tr> <th colspan="12">MATERIAL AVAILABILITY</th> </tr> <tr> <th>FA</th> <th>TT</th> <th>V</th> <th>R</th> <th>MXS</th> <th>HH</th> <th>EPFA</th> <th>GPFAX</th> <th>SFA</th> <th>SFAHH</th> <th>SFAC</th> <th>SXR</th> </tr> </thead> <tbody> <tr> <td></td> <td></td> <td></td> <td></td> <td></td> <td>✓</td> <td></td> <td></td> <td></td> <td></td> <td></td> <td></td> </tr> </tbody> </table> <p>JAYBRAKE CALIPERS</p>	MATERIAL AVAILABILITY												FA	TT	V	R	MXS	HH	EPFA	GPFAX	SFA	SFAHH	SFAC	SXR						✓						
MATERIAL AVAILABILITY																																						
FA	TT	V	R	MXS	HH	EPFA	GPFAX	SFA	SFAHH	SFAC	SXR																											
					✓																																	



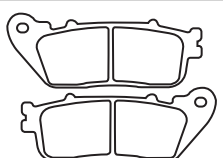

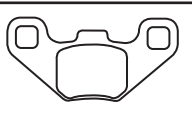
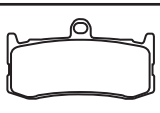
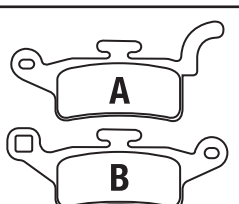

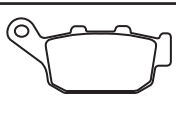
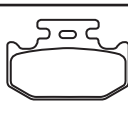
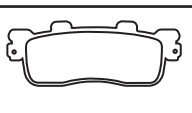
DO NOT REFIT ANY SHIMS/INSULATORS TO EBC PADS FROM ORIGINAL PADS UNLESS INSTRUCTED ON NOTE ON PAD PACKAGING AND ON FA DRAWING ASSOCIATED WITH THAT PAD.

<p>FA456 97.5 x 47 x 7mm</p>		<table border="1"> <thead> <tr> <th colspan="13">MATERIAL AVAILABILITY</th> </tr> <tr> <th>FA</th> <th>TT</th> <th>V</th> <th>R</th> <th>MXS</th> <th>HH</th> <th>EPFA</th> <th>GPFAX</th> <th>SFA</th> <th>SFAHH</th> <th>SFAC</th> <th>SXR</th> <th></th> </tr> </thead> <tbody> <tr> <td></td> <td></td> <td>✓</td> <td></td> <td>✓</td> <td></td> <td></td> <td></td> <td></td> <td></td> <td></td> <td></td> <td>✓</td> </tr> </tbody> </table> <p>POLARIS</p>	MATERIAL AVAILABILITY													FA	TT	V	R	MXS	HH	EPFA	GPFAX	SFA	SFAHH	SFAC	SXR				✓		✓								✓
MATERIAL AVAILABILITY																																									
FA	TT	V	R	MXS	HH	EPFA	GPFAX	SFA	SFAHH	SFAC	SXR																														
		✓		✓								✓																													
<p>FA457 A 90.5 x 62 x 8mm</p>		<table border="1"> <thead> <tr> <th colspan="13">MATERIAL AVAILABILITY</th> </tr> <tr> <th>FA</th> <th>TT</th> <th>V</th> <th>R</th> <th>MXS</th> <th>HH</th> <th>EPFA</th> <th>GPFAX</th> <th>SFA</th> <th>SFAHH</th> <th>SFAC</th> <th>SXR</th> <th></th> </tr> </thead> <tbody> <tr> <td></td> <td></td> <td>✓</td> <td></td> <td></td> <td>✓</td> <td></td> <td></td> <td></td> <td></td> <td></td> <td></td> <td></td> </tr> </tbody> </table> <p>HARLEY DAVIDSON</p>	MATERIAL AVAILABILITY													FA	TT	V	R	MXS	HH	EPFA	GPFAX	SFA	SFAHH	SFAC	SXR				✓			✓							
MATERIAL AVAILABILITY																																									
FA	TT	V	R	MXS	HH	EPFA	GPFAX	SFA	SFAHH	SFAC	SXR																														
		✓			✓																																				
<p>FA458 A 127.5 x 52.5 x 8mm HH thickness = 7.5mm</p>		<table border="1"> <thead> <tr> <th colspan="13">MATERIAL AVAILABILITY</th> </tr> <tr> <th>FA</th> <th>TT</th> <th>V</th> <th>R</th> <th>MXS</th> <th>HH</th> <th>EPFA</th> <th>GPFAX</th> <th>SFA</th> <th>SFAHH</th> <th>SFAC</th> <th>SXR</th> <th></th> </tr> </thead> <tbody> <tr> <td></td> <td></td> <td>✓</td> <td></td> <td></td> <td>✓</td> <td>✓</td> <td></td> <td></td> <td></td> <td></td> <td></td> <td></td> </tr> </tbody> </table> <p>HARLEY DAVIDSON</p>	MATERIAL AVAILABILITY													FA	TT	V	R	MXS	HH	EPFA	GPFAX	SFA	SFAHH	SFAC	SXR				✓			✓	✓						
MATERIAL AVAILABILITY																																									
FA	TT	V	R	MXS	HH	EPFA	GPFAX	SFA	SFAHH	SFAC	SXR																														
		✓			✓	✓																																			
<p>FA460 46.5 x 49.5 x 7mm</p>		<table border="1"> <thead> <tr> <th colspan="13">MATERIAL AVAILABILITY</th> </tr> <tr> <th>FA</th> <th>TT</th> <th>V</th> <th>R</th> <th>MXS</th> <th>HH</th> <th>EPFA</th> <th>GPFAX</th> <th>SFA</th> <th>SFAHH</th> <th>SFAC</th> <th>SXR</th> <th></th> </tr> </thead> <tbody> <tr> <td></td> <td></td> <td></td> <td></td> <td></td> <td>✓</td> <td></td> <td></td> <td></td> <td></td> <td></td> <td></td> <td></td> </tr> </tbody> </table> <p>BUELL, EBR</p>	MATERIAL AVAILABILITY													FA	TT	V	R	MXS	HH	EPFA	GPFAX	SFA	SFAHH	SFAC	SXR							✓							
MATERIAL AVAILABILITY																																									
FA	TT	V	R	MXS	HH	EPFA	GPFAX	SFA	SFAHH	SFAC	SXR																														
					✓																																				
<p>FA462 76.5 x 38 x 7mm</p>		<table border="1"> <thead> <tr> <th colspan="13">MATERIAL AVAILABILITY</th> </tr> <tr> <th>FA</th> <th>TT</th> <th>V</th> <th>R</th> <th>MXS</th> <th>HH</th> <th>EPFA</th> <th>GPFAX</th> <th>SFA</th> <th>SFAHH</th> <th>SFAC</th> <th>SXR</th> <th></th> </tr> </thead> <tbody> <tr> <td></td> <td></td> <td></td> <td>✓</td> <td></td> <td></td> <td></td> <td></td> <td></td> <td></td> <td></td> <td></td> <td></td> </tr> </tbody> </table> <p>KTM</p>	MATERIAL AVAILABILITY													FA	TT	V	R	MXS	HH	EPFA	GPFAX	SFA	SFAHH	SFAC	SXR					✓									
MATERIAL AVAILABILITY																																									
FA	TT	V	R	MXS	HH	EPFA	GPFAX	SFA	SFAHH	SFAC	SXR																														
			✓																																						
<p>FA463 58.5 x 35.5 x 8.5mm</p>		<table border="1"> <thead> <tr> <th colspan="13">MATERIAL AVAILABILITY</th> </tr> <tr> <th>FA</th> <th>TT</th> <th>V</th> <th>R</th> <th>MXS</th> <th>HH</th> <th>EPFA</th> <th>GPFAX</th> <th>SFA</th> <th>SFAHH</th> <th>SFAC</th> <th>SXR</th> <th></th> </tr> </thead> <tbody> <tr> <td></td> <td></td> <td></td> <td>✓</td> <td></td> <td></td> <td></td> <td></td> <td></td> <td></td> <td></td> <td></td> <td></td> </tr> </tbody> </table> <p>KTM</p>	MATERIAL AVAILABILITY													FA	TT	V	R	MXS	HH	EPFA	GPFAX	SFA	SFAHH	SFAC	SXR					✓									
MATERIAL AVAILABILITY																																									
FA	TT	V	R	MXS	HH	EPFA	GPFAX	SFA	SFAHH	SFAC	SXR																														
			✓																																						
<p>FA464 A 94.5 x 37 x 8.5mm B 109.5 x 51 x 8.5mm</p>		<table border="1"> <thead> <tr> <th colspan="13">MATERIAL AVAILABILITY</th> </tr> <tr> <th>FA</th> <th>TT</th> <th>V</th> <th>R</th> <th>MXS</th> <th>HH</th> <th>EPFA</th> <th>GPFAX</th> <th>SFA</th> <th>SFAHH</th> <th>SFAC</th> <th>SXR</th> <th></th> </tr> </thead> <tbody> <tr> <td>✓</td> <td></td> <td></td> <td></td> <td></td> <td></td> <td></td> <td></td> <td>✓</td> <td></td> <td>✓</td> <td></td> <td></td> </tr> </tbody> </table> <p>YAMAHA, HONLEY, LEXMOTO, MBK</p>	MATERIAL AVAILABILITY													FA	TT	V	R	MXS	HH	EPFA	GPFAX	SFA	SFAHH	SFAC	SXR		✓								✓		✓		
MATERIAL AVAILABILITY																																									
FA	TT	V	R	MXS	HH	EPFA	GPFAX	SFA	SFAHH	SFAC	SXR																														
✓								✓		✓																															
<p>FA465 A 111 x 36 x 7.5mm B 98.5 x 33 x 7.5mm</p>		<table border="1"> <thead> <tr> <th colspan="13">MATERIAL AVAILABILITY</th> </tr> <tr> <th>FA</th> <th>TT</th> <th>V</th> <th>R</th> <th>MXS</th> <th>HH</th> <th>EPFA</th> <th>GPFAX</th> <th>SFA</th> <th>SFAHH</th> <th>SFAC</th> <th>SXR</th> <th></th> </tr> </thead> <tbody> <tr> <td></td> <td>✓</td> <td></td> <td>✓</td> <td>✓</td> <td></td> <td></td> <td></td> <td></td> <td></td> <td></td> <td></td> <td></td> </tr> </tbody> </table> <p>AJP, DERBI, FANTIC, GAS-GAS, HONDA, HONDA H-M, MH, RIEJU, SCORPA</p>	MATERIAL AVAILABILITY													FA	TT	V	R	MXS	HH	EPFA	GPFAX	SFA	SFAHH	SFAC	SXR			✓		✓	✓								
MATERIAL AVAILABILITY																																									
FA	TT	V	R	MXS	HH	EPFA	GPFAX	SFA	SFAHH	SFAC	SXR																														
	✓		✓	✓																																					
<p>FA468 67.5 x 52 x 7.5mm</p>		<table border="1"> <thead> <tr> <th colspan="13">MATERIAL AVAILABILITY</th> </tr> <tr> <th>FA</th> <th>TT</th> <th>V</th> <th>R</th> <th>MXS</th> <th>HH</th> <th>EPFA</th> <th>GPFAX</th> <th>SFA</th> <th>SFAHH</th> <th>SFAC</th> <th>SXR</th> <th></th> </tr> </thead> <tbody> <tr> <td></td> <td></td> <td></td> <td>✓</td> <td></td> <td></td> <td></td> <td></td> <td></td> <td></td> <td></td> <td></td> <td></td> </tr> </tbody> </table> <p>CAN-AM</p>	MATERIAL AVAILABILITY													FA	TT	V	R	MXS	HH	EPFA	GPFAX	SFA	SFAHH	SFAC	SXR					✓									
MATERIAL AVAILABILITY																																									
FA	TT	V	R	MXS	HH	EPFA	GPFAX	SFA	SFAHH	SFAC	SXR																														
			✓																																						
<p>FA471 36 x 39 x 6mm</p>		<table border="1"> <thead> <tr> <th colspan="13">MATERIAL AVAILABILITY</th> </tr> <tr> <th>FA</th> <th>TT</th> <th>V</th> <th>R</th> <th>MXS</th> <th>HH</th> <th>EPFA</th> <th>GPFAX</th> <th>SFA</th> <th>SFAHH</th> <th>SFAC</th> <th>SXR</th> <th></th> </tr> </thead> <tbody> <tr> <td>✓</td> <td></td> <td></td> <td></td> <td></td> <td></td> <td></td> <td></td> <td></td> <td></td> <td></td> <td></td> <td></td> </tr> </tbody> </table> <p>SCORPA</p>	MATERIAL AVAILABILITY													FA	TT	V	R	MXS	HH	EPFA	GPFAX	SFA	SFAHH	SFAC	SXR		✓												
MATERIAL AVAILABILITY																																									
FA	TT	V	R	MXS	HH	EPFA	GPFAX	SFA	SFAHH	SFAC	SXR																														
✓																																									
<p>FA473 110.5 x 53.5 x 8mm</p>		<table border="1"> <thead> <tr> <th colspan="13">MATERIAL AVAILABILITY</th> </tr> <tr> <th>FA</th> <th>TT</th> <th>V</th> <th>R</th> <th>MXS</th> <th>HH</th> <th>EPFA</th> <th>GPFAX</th> <th>SFA</th> <th>SFAHH</th> <th>SFAC</th> <th>SXR</th> <th></th> </tr> </thead> <tbody> <tr> <td>✓</td> <td></td> <td>✓</td> <td></td> <td></td> <td></td> <td></td> <td></td> <td></td> <td></td> <td></td> <td></td> <td></td> </tr> </tbody> </table> <p>CAN-AM</p>	MATERIAL AVAILABILITY													FA	TT	V	R	MXS	HH	EPFA	GPFAX	SFA	SFAHH	SFAC	SXR		✓		✓										
MATERIAL AVAILABILITY																																									
FA	TT	V	R	MXS	HH	EPFA	GPFAX	SFA	SFAHH	SFAC	SXR																														
✓		✓																																							

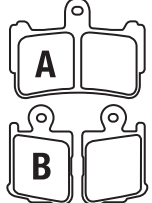



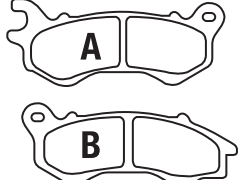




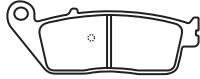

DO NOT REFIT ANY SHIMS/INSULATORS TO EBC PADS FROM ORIGINAL PADS UNLESS INSTRUCTED ON NOTE ON PAD PACKAGING AND ON FA DRAWING ASSOCIATED WITH THAT PAD.

<p>FA474 75.5 x 33 x 8mm</p>		<table border="1"> <thead> <tr> <th colspan="12">MATERIAL AVAILABILITY</th> </tr> <tr> <th>FA</th> <th>TT</th> <th>V</th> <th>R</th> <th>MXS</th> <th>HH</th> <th>EPFA</th> <th>GPFAX</th> <th>SFA</th> <th>SFAHH</th> <th>SFAC</th> <th>SXR</th> </tr> </thead> <tbody> <tr> <td>✓</td> <td></td> <td>✓</td> <td></td> <td></td> <td></td> <td></td> <td></td> <td></td> <td></td> <td></td> <td></td> </tr> </tbody> </table> <p>CAN-AM</p>	MATERIAL AVAILABILITY												FA	TT	V	R	MXS	HH	EPFA	GPFAX	SFA	SFAHH	SFAC	SXR	✓		✓									
MATERIAL AVAILABILITY																																						
FA	TT	V	R	MXS	HH	EPFA	GPFAX	SFA	SFAHH	SFAC	SXR																											
✓		✓																																				
<p>FA475 97 x 43 x 7mm</p>		<table border="1"> <thead> <tr> <th colspan="12">MATERIAL AVAILABILITY</th> </tr> <tr> <th>FA</th> <th>TT</th> <th>V</th> <th>R</th> <th>MXS</th> <th>HH</th> <th>EPFA</th> <th>GPFAX</th> <th>SFA</th> <th>SFAHH</th> <th>SFAC</th> <th>SXR</th> </tr> </thead> <tbody> <tr> <td></td> <td>✓</td> <td></td> <td>✓</td> <td></td> <td></td> <td></td> <td></td> <td></td> <td></td> <td></td> <td></td> </tr> </tbody> </table> <p>POLARIS</p>	MATERIAL AVAILABILITY												FA	TT	V	R	MXS	HH	EPFA	GPFAX	SFA	SFAHH	SFAC	SXR		✓		✓								
MATERIAL AVAILABILITY																																						
FA	TT	V	R	MXS	HH	EPFA	GPFAX	SFA	SFAHH	SFAC	SXR																											
	✓		✓																																			
<p>FA476 104 x 43.5 x 13mm</p>		<table border="1"> <thead> <tr> <th colspan="12">MATERIAL AVAILABILITY</th> </tr> <tr> <th>FA</th> <th>TT</th> <th>V</th> <th>R</th> <th>MXS</th> <th>HH</th> <th>EPFA</th> <th>GPFAX</th> <th>SFA</th> <th>SFAHH</th> <th>SFAC</th> <th>SXR</th> </tr> </thead> <tbody> <tr> <td></td> <td>✓</td> <td></td> <td></td> <td></td> <td></td> <td></td> <td></td> <td></td> <td></td> <td></td> <td></td> </tr> </tbody> </table> <p>HONDA</p>	MATERIAL AVAILABILITY												FA	TT	V	R	MXS	HH	EPFA	GPFAX	SFA	SFAHH	SFAC	SXR		✓										
MATERIAL AVAILABILITY																																						
FA	TT	V	R	MXS	HH	EPFA	GPFAX	SFA	SFAHH	SFAC	SXR																											
	✓																																					
<p>FA477 104 x 43.5 x 13mm</p>		<table border="1"> <thead> <tr> <th colspan="12">MATERIAL AVAILABILITY</th> </tr> <tr> <th>FA</th> <th>TT</th> <th>V</th> <th>R</th> <th>MXS</th> <th>HH</th> <th>EPFA</th> <th>GPFAX</th> <th>SFA</th> <th>SFAHH</th> <th>SFAC</th> <th>SXR</th> </tr> </thead> <tbody> <tr> <td></td> <td>✓</td> <td></td> <td></td> <td></td> <td></td> <td></td> <td></td> <td></td> <td></td> <td></td> <td></td> </tr> </tbody> </table> <p>HONDA</p>	MATERIAL AVAILABILITY												FA	TT	V	R	MXS	HH	EPFA	GPFAX	SFA	SFAHH	SFAC	SXR		✓										
MATERIAL AVAILABILITY																																						
FA	TT	V	R	MXS	HH	EPFA	GPFAX	SFA	SFAHH	SFAC	SXR																											
	✓																																					
<p>FA478 A 89 x 36.5 x 14mm B 89 x 36.5 x 13.5mm</p>		<table border="1"> <thead> <tr> <th colspan="12">MATERIAL AVAILABILITY</th> </tr> <tr> <th>FA</th> <th>TT</th> <th>V</th> <th>R</th> <th>MXS</th> <th>HH</th> <th>EPFA</th> <th>GPFAX</th> <th>SFA</th> <th>SFAHH</th> <th>SFAC</th> <th>SXR</th> </tr> </thead> <tbody> <tr> <td></td> <td>✓</td> <td></td> <td></td> <td></td> <td></td> <td></td> <td></td> <td></td> <td></td> <td></td> <td></td> </tr> </tbody> </table> <p>HONDA</p>	MATERIAL AVAILABILITY												FA	TT	V	R	MXS	HH	EPFA	GPFAX	SFA	SFAHH	SFAC	SXR		✓										
MATERIAL AVAILABILITY																																						
FA	TT	V	R	MXS	HH	EPFA	GPFAX	SFA	SFAHH	SFAC	SXR																											
	✓																																					
<p>FA479 A 89 x 36.5 x 14mm B 89 x 36.5 x 13.5mm</p>		<table border="1"> <thead> <tr> <th colspan="12">MATERIAL AVAILABILITY</th> </tr> <tr> <th>FA</th> <th>TT</th> <th>V</th> <th>R</th> <th>MXS</th> <th>HH</th> <th>EPFA</th> <th>GPFAX</th> <th>SFA</th> <th>SFAHH</th> <th>SFAC</th> <th>SXR</th> </tr> </thead> <tbody> <tr> <td></td> <td>✓</td> <td></td> <td></td> <td></td> <td></td> <td></td> <td></td> <td></td> <td></td> <td></td> <td></td> </tr> </tbody> </table> <p>HONDA</p>	MATERIAL AVAILABILITY												FA	TT	V	R	MXS	HH	EPFA	GPFAX	SFA	SFAHH	SFAC	SXR		✓										
MATERIAL AVAILABILITY																																						
FA	TT	V	R	MXS	HH	EPFA	GPFAX	SFA	SFAHH	SFAC	SXR																											
	✓																																					
<p>FA480 A 74 x 37 x 7mm B 38 x 27 x 9mm</p>		<table border="1"> <thead> <tr> <th colspan="12">MATERIAL AVAILABILITY</th> </tr> <tr> <th>FA</th> <th>TT</th> <th>V</th> <th>R</th> <th>MXS</th> <th>HH</th> <th>EPFA</th> <th>GPFAX</th> <th>SFA</th> <th>SFAHH</th> <th>SFAC</th> <th>SXR</th> </tr> </thead> <tbody> <tr> <td>✓</td> <td></td> <td></td> <td></td> <td></td> <td></td> <td></td> <td></td> <td></td> <td></td> <td></td> <td></td> </tr> </tbody> </table> <p>LIFAN, QUADZILLA, STOMP MINI MOTO</p>	MATERIAL AVAILABILITY												FA	TT	V	R	MXS	HH	EPFA	GPFAX	SFA	SFAHH	SFAC	SXR	✓											
MATERIAL AVAILABILITY																																						
FA	TT	V	R	MXS	HH	EPFA	GPFAX	SFA	SFAHH	SFAC	SXR																											
✓																																						
<p>FA481 88 x 48 x 8mm</p>		<table border="1"> <thead> <tr> <th colspan="12">MATERIAL AVAILABILITY</th> </tr> <tr> <th>FA</th> <th>TT</th> <th>V</th> <th>R</th> <th>MXS</th> <th>HH</th> <th>EPFA</th> <th>GPFAX</th> <th>SFA</th> <th>SFAHH</th> <th>SFAC</th> <th>SXR</th> </tr> </thead> <tbody> <tr> <td>✓</td> <td></td> <td></td> <td></td> <td></td> <td></td> <td></td> <td></td> <td></td> <td></td> <td></td> <td></td> </tr> </tbody> </table> <p>JCB UTV, QUADZILLA</p>	MATERIAL AVAILABILITY												FA	TT	V	R	MXS	HH	EPFA	GPFAX	SFA	SFAHH	SFAC	SXR	✓											
MATERIAL AVAILABILITY																																						
FA	TT	V	R	MXS	HH	EPFA	GPFAX	SFA	SFAHH	SFAC	SXR																											
✓																																						
<p>FA482 110 x 49 x 8mm</p>		<table border="1"> <thead> <tr> <th colspan="12">MATERIAL AVAILABILITY</th> </tr> <tr> <th>FA</th> <th>TT</th> <th>V</th> <th>R</th> <th>MXS</th> <th>HH</th> <th>EPFA</th> <th>GPFAX</th> <th>SFA</th> <th>SFAHH</th> <th>SFAC</th> <th>SXR</th> </tr> </thead> <tbody> <tr> <td></td> <td>✓</td> <td></td> <td>✓</td> <td></td> <td></td> <td></td> <td></td> <td></td> <td></td> <td></td> <td></td> </tr> </tbody> </table> <p>JCB UTV, KEEWAY, LINHAI, QUADZILLA</p>	MATERIAL AVAILABILITY												FA	TT	V	R	MXS	HH	EPFA	GPFAX	SFA	SFAHH	SFAC	SXR		✓		✓								
MATERIAL AVAILABILITY																																						
FA	TT	V	R	MXS	HH	EPFA	GPFAX	SFA	SFAHH	SFAC	SXR																											
	✓		✓																																			
<p>FA483 97 x 41 x 7mm</p>		<table border="1"> <thead> <tr> <th colspan="12">MATERIAL AVAILABILITY</th> </tr> <tr> <th>FA</th> <th>TT</th> <th>V</th> <th>R</th> <th>MXS</th> <th>HH</th> <th>EPFA</th> <th>GPFAX</th> <th>SFA</th> <th>SFAHH</th> <th>SFAC</th> <th>SXR</th> </tr> </thead> <tbody> <tr> <td></td> <td>✓</td> <td></td> <td>✓</td> <td></td> <td></td> <td></td> <td></td> <td></td> <td></td> <td></td> <td></td> </tr> </tbody> </table> <p>JCB UTV, KEEWAY, QUADZILLA</p>	MATERIAL AVAILABILITY												FA	TT	V	R	MXS	HH	EPFA	GPFAX	SFA	SFAHH	SFAC	SXR		✓		✓								
MATERIAL AVAILABILITY																																						
FA	TT	V	R	MXS	HH	EPFA	GPFAX	SFA	SFAHH	SFAC	SXR																											
	✓		✓																																			
<p>FA484 A 116.5 x 41 x 9mm B 77.5 x 41 x 9mm</p>		<table border="1"> <thead> <tr> <th colspan="12">MATERIAL AVAILABILITY</th> </tr> <tr> <th>FA</th> <th>TT</th> <th>V</th> <th>R</th> <th>MXS</th> <th>HH</th> <th>EPFA</th> <th>GPFAX</th> <th>SFA</th> <th>SFAHH</th> <th>SFAC</th> <th>SXR</th> </tr> </thead> <tbody> <tr> <td></td> <td>✓</td> <td></td> <td>✓</td> <td></td> <td></td> <td></td> <td></td> <td>✓</td> <td></td> <td></td> <td></td> </tr> </tbody> </table> <p>CECTEK, PGO, TGB</p>	MATERIAL AVAILABILITY												FA	TT	V	R	MXS	HH	EPFA	GPFAX	SFA	SFAHH	SFAC	SXR		✓		✓					✓			
MATERIAL AVAILABILITY																																						
FA	TT	V	R	MXS	HH	EPFA	GPFAX	SFA	SFAHH	SFAC	SXR																											
	✓		✓					✓																														




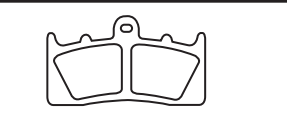
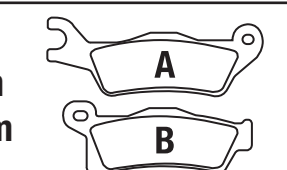
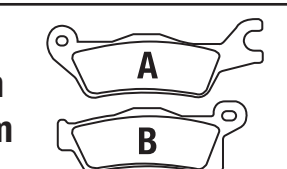

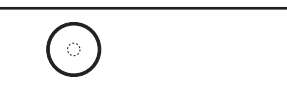
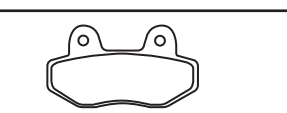
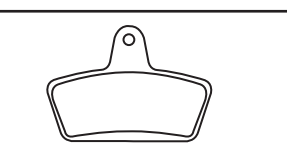
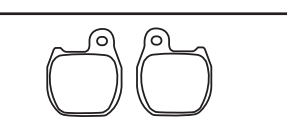
DO NOT REFIT ANY SHIMS/INSULATORS TO EBC PADS FROM ORIGINAL PADS UNLESS INSTRUCTED ON NOTE ON PAD PACKAGING AND ON FA DRAWING ASSOCIATED WITH THAT PAD.

<p>FA485 A 32 x 39 x 5mm B 35 x 31.5 x 5mm</p>		<table border="1"> <thead> <tr> <th colspan="12">MATERIAL AVAILABILITY</th> </tr> <tr> <th>FA</th> <th>TT</th> <th>V</th> <th>R</th> <th>MXS</th> <th>HH</th> <th>EPFA</th> <th>GPFAX</th> <th>SFA</th> <th>SFAHH</th> <th>SFAC</th> <th>SXR</th> </tr> </thead> <tbody> <tr> <td></td> <td>✓</td> <td></td> <td></td> <td></td> <td></td> <td></td> <td></td> <td></td> <td></td> <td></td> <td></td> </tr> </tbody> </table> <p>HAMMERHEAD BUGGIES, QUADZILLA</p>	MATERIAL AVAILABILITY												FA	TT	V	R	MXS	HH	EPFA	GPFAX	SFA	SFAHH	SFAC	SXR		✓										
MATERIAL AVAILABILITY																																						
FA	TT	V	R	MXS	HH	EPFA	GPFAX	SFA	SFAHH	SFAC	SXR																											
	✓																																					
<p>FA486 49.5 x 47.5 x 9mm</p>		<table border="1"> <thead> <tr> <th colspan="12">MATERIAL AVAILABILITY</th> </tr> <tr> <th>FA</th> <th>TT</th> <th>V</th> <th>R</th> <th>MXS</th> <th>HH</th> <th>EPFA</th> <th>GPFAX</th> <th>SFA</th> <th>SFAHH</th> <th>SFAC</th> <th>SXR</th> </tr> </thead> <tbody> <tr> <td>✓</td> <td></td> <td></td> <td></td> <td></td> <td></td> <td></td> <td></td> <td></td> <td></td> <td></td> <td></td> </tr> </tbody> </table> <p>BETTER, HONGDOU, KYMCO, ZING BIKES</p>	MATERIAL AVAILABILITY												FA	TT	V	R	MXS	HH	EPFA	GPFAX	SFA	SFAHH	SFAC	SXR	✓											
MATERIAL AVAILABILITY																																						
FA	TT	V	R	MXS	HH	EPFA	GPFAX	SFA	SFAHH	SFAC	SXR																											
✓																																						
<p>FA488 99.5 x 38 x 9mm</p>		<table border="1"> <thead> <tr> <th colspan="12">MATERIAL AVAILABILITY</th> </tr> <tr> <th>FA</th> <th>TT</th> <th>V</th> <th>R</th> <th>MXS</th> <th>HH</th> <th>EPFA</th> <th>GPFAX</th> <th>SFA</th> <th>SFAHH</th> <th>SFAC</th> <th>SXR</th> </tr> </thead> <tbody> <tr> <td></td> <td></td> <td></td> <td></td> <td></td> <td>✓</td> <td></td> <td></td> <td></td> <td></td> <td></td> <td></td> </tr> </tbody> </table> <p>HONDA</p>	MATERIAL AVAILABILITY												FA	TT	V	R	MXS	HH	EPFA	GPFAX	SFA	SFAHH	SFAC	SXR						✓						
MATERIAL AVAILABILITY																																						
FA	TT	V	R	MXS	HH	EPFA	GPFAX	SFA	SFAHH	SFAC	SXR																											
					✓																																	
<p>FA489 88.5 x 47 x 7mm</p>		<table border="1"> <thead> <tr> <th colspan="12">MATERIAL AVAILABILITY</th> </tr> <tr> <th>FA</th> <th>TT</th> <th>V</th> <th>R</th> <th>MXS</th> <th>HH</th> <th>EPFA</th> <th>GPFAX</th> <th>SFA</th> <th>SFAHH</th> <th>SFAC</th> <th>SXR</th> </tr> </thead> <tbody> <tr> <td></td> <td></td> <td></td> <td>✓</td> <td></td> <td></td> <td></td> <td></td> <td></td> <td></td> <td></td> <td></td> </tr> </tbody> </table> <p>POLARIS</p>	MATERIAL AVAILABILITY												FA	TT	V	R	MXS	HH	EPFA	GPFAX	SFA	SFAHH	SFAC	SXR				✓								
MATERIAL AVAILABILITY																																						
FA	TT	V	R	MXS	HH	EPFA	GPFAX	SFA	SFAHH	SFAC	SXR																											
			✓																																			
<p>FA490 87 x 42.5 x 7.5mm</p>		<table border="1"> <thead> <tr> <th colspan="12">MATERIAL AVAILABILITY</th> </tr> <tr> <th>FA</th> <th>TT</th> <th>V</th> <th>R</th> <th>MXS</th> <th>HH</th> <th>EPFA</th> <th>GPFAX</th> <th>SFA</th> <th>SFAHH</th> <th>SFAC</th> <th>SXR</th> </tr> </thead> <tbody> <tr> <td></td> <td></td> <td></td> <td>✓</td> <td></td> <td></td> <td></td> <td></td> <td></td> <td></td> <td></td> <td></td> </tr> </tbody> </table> <p>POLARIS</p>	MATERIAL AVAILABILITY												FA	TT	V	R	MXS	HH	EPFA	GPFAX	SFA	SFAHH	SFAC	SXR				✓								
MATERIAL AVAILABILITY																																						
FA	TT	V	R	MXS	HH	EPFA	GPFAX	SFA	SFAHH	SFAC	SXR																											
			✓																																			
<p>FA491 78.5 x 46.5 x 7.5mm</p>		<table border="1"> <thead> <tr> <th colspan="12">MATERIAL AVAILABILITY</th> </tr> <tr> <th>FA</th> <th>TT</th> <th>V</th> <th>R</th> <th>MXS</th> <th>HH</th> <th>EPFA</th> <th>GPFAX</th> <th>SFA</th> <th>SFAHH</th> <th>SFAC</th> <th>SXR</th> </tr> </thead> <tbody> <tr> <td></td> <td></td> <td></td> <td></td> <td></td> <td>✓</td> <td></td> <td>✓</td> <td></td> <td></td> <td></td> <td></td> </tr> </tbody> </table> <p>TRIUMPH Hinckley Produced Models</p>	MATERIAL AVAILABILITY												FA	TT	V	R	MXS	HH	EPFA	GPFAX	SFA	SFAHH	SFAC	SXR						✓		✓				
MATERIAL AVAILABILITY																																						
FA	TT	V	R	MXS	HH	EPFA	GPFAX	SFA	SFAHH	SFAC	SXR																											
					✓		✓																															
<p>SFA492 A 109.5 x 51 x 9.5mm B 114 x 41.5 x 9mm</p>		<table border="1"> <thead> <tr> <th colspan="12">MATERIAL AVAILABILITY</th> </tr> <tr> <th>FA</th> <th>TT</th> <th>V</th> <th>R</th> <th>MXS</th> <th>HH</th> <th>EPFA</th> <th>GPFAX</th> <th>SFA</th> <th>SFAHH</th> <th>SFAC</th> <th>SXR</th> </tr> </thead> <tbody> <tr> <td></td> <td></td> <td></td> <td></td> <td></td> <td></td> <td></td> <td></td> <td>✓</td> <td></td> <td>✓</td> <td></td> </tr> </tbody> </table> <p>YAMAHA, MBK</p>	MATERIAL AVAILABILITY												FA	TT	V	R	MXS	HH	EPFA	GPFAX	SFA	SFAHH	SFAC	SXR									✓		✓	
MATERIAL AVAILABILITY																																						
FA	TT	V	R	MXS	HH	EPFA	GPFAX	SFA	SFAHH	SFAC	SXR																											
								✓		✓																												
<p>FA495 35.5 x 42 x 5.5mm</p>		<table border="1"> <thead> <tr> <th colspan="12">MATERIAL AVAILABILITY</th> </tr> <tr> <th>FA</th> <th>TT</th> <th>V</th> <th>R</th> <th>MXS</th> <th>HH</th> <th>EPFA</th> <th>GPFAX</th> <th>SFA</th> <th>SFAHH</th> <th>SFAC</th> <th>SXR</th> </tr> </thead> <tbody> <tr> <td>✓</td> <td></td> <td></td> <td></td> <td></td> <td></td> <td></td> <td></td> <td></td> <td></td> <td></td> <td></td> </tr> </tbody> </table> <p>BETA</p>	MATERIAL AVAILABILITY												FA	TT	V	R	MXS	HH	EPFA	GPFAX	SFA	SFAHH	SFAC	SXR	✓											
MATERIAL AVAILABILITY																																						
FA	TT	V	R	MXS	HH	EPFA	GPFAX	SFA	SFAHH	SFAC	SXR																											
✓																																						
<p>FA496 86.5 x 40 x 9mm</p>		<table border="1"> <thead> <tr> <th colspan="12">MATERIAL AVAILABILITY</th> </tr> <tr> <th>FA</th> <th>TT</th> <th>V</th> <th>R</th> <th>MXS</th> <th>HH</th> <th>EPFA</th> <th>GPFAX</th> <th>SFA</th> <th>SFAHH</th> <th>SFAC</th> <th>SXR</th> </tr> </thead> <tbody> <tr> <td>✓</td> <td></td> <td>✓</td> <td></td> <td></td> <td>✓</td> <td></td> <td></td> <td></td> <td></td> <td></td> <td></td> </tr> </tbody> </table> <p>HONDA, SINNIS, SUZUKI</p>	MATERIAL AVAILABILITY												FA	TT	V	R	MXS	HH	EPFA	GPFAX	SFA	SFAHH	SFAC	SXR	✓		✓			✓						
MATERIAL AVAILABILITY																																						
FA	TT	V	R	MXS	HH	EPFA	GPFAX	SFA	SFAHH	SFAC	SXR																											
✓		✓			✓																																	
<p>FA497 62 x 41 x 7mm</p>		<table border="1"> <thead> <tr> <th colspan="12">MATERIAL AVAILABILITY</th> </tr> <tr> <th>FA</th> <th>TT</th> <th>V</th> <th>R</th> <th>MXS</th> <th>HH</th> <th>EPFA</th> <th>GPFAX</th> <th>SFA</th> <th>SFAHH</th> <th>SFAC</th> <th>SXR</th> </tr> </thead> <tbody> <tr> <td></td> <td>✓</td> <td></td> <td></td> <td></td> <td></td> <td></td> <td></td> <td></td> <td></td> <td></td> <td></td> </tr> </tbody> </table> <p>YAMAHA</p>	MATERIAL AVAILABILITY												FA	TT	V	R	MXS	HH	EPFA	GPFAX	SFA	SFAHH	SFAC	SXR		✓										
MATERIAL AVAILABILITY																																						
FA	TT	V	R	MXS	HH	EPFA	GPFAX	SFA	SFAHH	SFAC	SXR																											
	✓																																					
<p>SFA498 90 x 33 x 10mm</p>		<table border="1"> <thead> <tr> <th colspan="12">MATERIAL AVAILABILITY</th> </tr> <tr> <th>FA</th> <th>TT</th> <th>V</th> <th>R</th> <th>MXS</th> <th>HH</th> <th>EPFA</th> <th>GPFAX</th> <th>SFA</th> <th>SFAHH</th> <th>SFAC</th> <th>SXR</th> </tr> </thead> <tbody> <tr> <td></td> <td></td> <td></td> <td></td> <td></td> <td></td> <td></td> <td></td> <td>✓</td> <td>✓</td> <td>✓</td> <td></td> </tr> </tbody> </table> <p>BENELLI, KAWASAKI, KYMCO</p>	MATERIAL AVAILABILITY												FA	TT	V	R	MXS	HH	EPFA	GPFAX	SFA	SFAHH	SFAC	SXR									✓	✓	✓	
MATERIAL AVAILABILITY																																						
FA	TT	V	R	MXS	HH	EPFA	GPFAX	SFA	SFAHH	SFAC	SXR																											
								✓	✓	✓																												



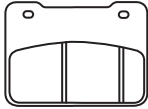












DO NOT REFIT ANY SHIMS/INSULATORS TO EBC PADS FROM ORIGINAL PADS UNLESS INSTRUCTED ON NOTE ON PAD PACKAGING AND ON FA DRAWING ASSOCIATED WITH THAT PAD.




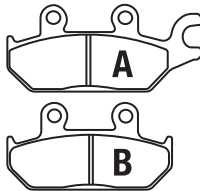


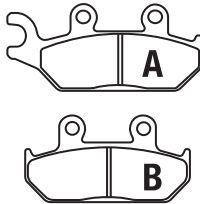
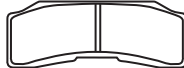



<p>FA499/4 A 69 x 51.5 x 9mm B 31.5 x 51.5 x 9mm</p>		<table border="1"> <thead> <tr> <th colspan="12">MATERIAL AVAILABILITY</th> </tr> <tr> <th>FA</th> <th>TT</th> <th>V</th> <th>R</th> <th>MXS</th> <th>HH</th> <th>EPFA</th> <th>GPFAX</th> <th>SFA</th> <th>SFAHH</th> <th>SFAC</th> <th>SXR</th> </tr> </thead> <tbody> <tr> <td></td> <td></td> <td></td> <td></td> <td></td> <td></td> <td>✓</td> <td></td> <td></td> <td></td> <td></td> <td></td> </tr> </tbody> </table> <p>HONDA</p>	MATERIAL AVAILABILITY												FA	TT	V	R	MXS	HH	EPFA	GPFAX	SFA	SFAHH	SFAC	SXR							✓					
MATERIAL AVAILABILITY																																						
FA	TT	V	R	MXS	HH	EPFA	GPFAX	SFA	SFAHH	SFAC	SXR																											
						✓																																
<p>FA600 102.5 x 42.5 x 8mm</p>		<table border="1"> <thead> <tr> <th colspan="12">MATERIAL AVAILABILITY</th> </tr> <tr> <th>FA</th> <th>TT</th> <th>V</th> <th>R</th> <th>MXS</th> <th>HH</th> <th>EPFA</th> <th>GPFAX</th> <th>SFA</th> <th>SFAHH</th> <th>SFAC</th> <th>SXR</th> </tr> </thead> <tbody> <tr> <td></td> <td>✓</td> <td></td> <td>✓</td> <td></td> <td></td> <td></td> <td></td> <td></td> <td></td> <td></td> <td></td> </tr> </tbody> </table> <p>KYMCO ATV</p>	MATERIAL AVAILABILITY												FA	TT	V	R	MXS	HH	EPFA	GPFAX	SFA	SFAHH	SFAC	SXR		✓		✓								
MATERIAL AVAILABILITY																																						
FA	TT	V	R	MXS	HH	EPFA	GPFAX	SFA	SFAHH	SFAC	SXR																											
	✓		✓																																			
<p>FA600/2 102.5 x 42.5 x 7mm</p>		<table border="1"> <thead> <tr> <th colspan="12">MATERIAL AVAILABILITY</th> </tr> <tr> <th>FA</th> <th>TT</th> <th>V</th> <th>R</th> <th>MXS</th> <th>HH</th> <th>EPFA</th> <th>GPFAX</th> <th>SFA</th> <th>SFAHH</th> <th>SFAC</th> <th>SXR</th> </tr> </thead> <tbody> <tr> <td></td> <td>✓</td> <td></td> <td>✓</td> <td></td> <td></td> <td></td> <td></td> <td></td> <td></td> <td></td> <td></td> </tr> </tbody> </table> <p>KYMCO ATV</p>	MATERIAL AVAILABILITY												FA	TT	V	R	MXS	HH	EPFA	GPFAX	SFA	SFAHH	SFAC	SXR		✓		✓								
MATERIAL AVAILABILITY																																						
FA	TT	V	R	MXS	HH	EPFA	GPFAX	SFA	SFAHH	SFAC	SXR																											
	✓		✓																																			
<p>FA602 41 x 42.5 x 7.5mm</p>		<table border="1"> <thead> <tr> <th colspan="12">MATERIAL AVAILABILITY</th> </tr> <tr> <th>FA</th> <th>TT</th> <th>V</th> <th>R</th> <th>MXS</th> <th>HH</th> <th>EPFA</th> <th>GPFAX</th> <th>SFA</th> <th>SFAHH</th> <th>SFAC</th> <th>SXR</th> </tr> </thead> <tbody> <tr> <td></td> <td>✓</td> <td></td> <td>✓</td> <td></td> <td></td> <td></td> <td></td> <td></td> <td></td> <td></td> <td></td> </tr> </tbody> </table> <p>HUSQVARNA, KTM, OHVALE, SWM</p>	MATERIAL AVAILABILITY												FA	TT	V	R	MXS	HH	EPFA	GPFAX	SFA	SFAHH	SFAC	SXR		✓		✓								
MATERIAL AVAILABILITY																																						
FA	TT	V	R	MXS	HH	EPFA	GPFAX	SFA	SFAHH	SFAC	SXR																											
	✓		✓																																			
<p>SFA603 A 111 x 44.5 x 8mm B 109.5 x 41.5 x 8mm</p>		<table border="1"> <thead> <tr> <th colspan="12">MATERIAL AVAILABILITY</th> </tr> <tr> <th>FA</th> <th>TT</th> <th>V</th> <th>R</th> <th>MXS</th> <th>HH</th> <th>EPFA</th> <th>GPFAX</th> <th>SFA</th> <th>SFAHH</th> <th>SFAC</th> <th>SXR</th> </tr> </thead> <tbody> <tr> <td></td> <td></td> <td></td> <td></td> <td></td> <td></td> <td></td> <td></td> <td>✓</td> <td>✓</td> <td>✓</td> <td></td> </tr> </tbody> </table> <p>HONDA, KYMCO, LEXMOTO, MUTT, PEUGEOT</p>	MATERIAL AVAILABILITY												FA	TT	V	R	MXS	HH	EPFA	GPFAX	SFA	SFAHH	SFAC	SXR									✓	✓	✓	
MATERIAL AVAILABILITY																																						
FA	TT	V	R	MXS	HH	EPFA	GPFAX	SFA	SFAHH	SFAC	SXR																											
								✓	✓	✓																												
<p>FA604/4 35 x 40.5 x 8mm</p>		<table border="1"> <thead> <tr> <th colspan="12">MATERIAL AVAILABILITY</th> </tr> <tr> <th>FA</th> <th>TT</th> <th>V</th> <th>R</th> <th>MXS</th> <th>HH</th> <th>EPFA</th> <th>GPFAX</th> <th>SFA</th> <th>SFAHH</th> <th>SFAC</th> <th>SXR</th> </tr> </thead> <tbody> <tr> <td></td> <td></td> <td></td> <td></td> <td></td> <td>✓</td> <td>✓</td> <td>✓</td> <td></td> <td></td> <td></td> <td></td> </tr> </tbody> </table> <p>BMW, TRIUMPH</p>	MATERIAL AVAILABILITY												FA	TT	V	R	MXS	HH	EPFA	GPFAX	SFA	SFAHH	SFAC	SXR						✓	✓	✓				
MATERIAL AVAILABILITY																																						
FA	TT	V	R	MXS	HH	EPFA	GPFAX	SFA	SFAHH	SFAC	SXR																											
					✓	✓	✓																															
<p>FA605/4 97.5 x 46.5 x 7mm</p>		<table border="1"> <thead> <tr> <th colspan="12">MATERIAL AVAILABILITY</th> </tr> <tr> <th>FA</th> <th>TT</th> <th>V</th> <th>R</th> <th>MXS</th> <th>HH</th> <th>EPFA</th> <th>GPFAX</th> <th>SFA</th> <th>SFAHH</th> <th>SFAC</th> <th>SXR</th> </tr> </thead> <tbody> <tr> <td></td> <td></td> <td>✓</td> <td></td> <td></td> <td>✓</td> <td></td> <td></td> <td></td> <td></td> <td></td> <td></td> </tr> </tbody> </table> <p>HARLEY DAVIDSON</p>	MATERIAL AVAILABILITY												FA	TT	V	R	MXS	HH	EPFA	GPFAX	SFA	SFAHH	SFAC	SXR			✓			✓						
MATERIAL AVAILABILITY																																						
FA	TT	V	R	MXS	HH	EPFA	GPFAX	SFA	SFAHH	SFAC	SXR																											
		✓			✓																																	
<p>FA606 69.5 x 45.5 x 8.5mm</p>		<table border="1"> <thead> <tr> <th colspan="12">MATERIAL AVAILABILITY</th> </tr> <tr> <th>FA</th> <th>TT</th> <th>V</th> <th>R</th> <th>MXS</th> <th>HH</th> <th>EPFA</th> <th>GPFAX</th> <th>SFA</th> <th>SFAHH</th> <th>SFAC</th> <th>SXR</th> </tr> </thead> <tbody> <tr> <td>✓</td> <td></td> <td></td> <td></td> <td></td> <td>✓</td> <td>✓</td> <td></td> <td></td> <td></td> <td></td> <td></td> </tr> </tbody> </table> <p>BMW, FANTIC, HUSQVARNA, KTM, TRIUMPH</p>	MATERIAL AVAILABILITY												FA	TT	V	R	MXS	HH	EPFA	GPFAX	SFA	SFAHH	SFAC	SXR	✓					✓	✓					
MATERIAL AVAILABILITY																																						
FA	TT	V	R	MXS	HH	EPFA	GPFAX	SFA	SFAHH	SFAC	SXR																											
✓					✓	✓																																
<p>SFA607 94 x 36 x 10mm</p>		<table border="1"> <thead> <tr> <th colspan="12">MATERIAL AVAILABILITY</th> </tr> <tr> <th>FA</th> <th>TT</th> <th>V</th> <th>R</th> <th>MXS</th> <th>HH</th> <th>EPFA</th> <th>GPFAX</th> <th>SFA</th> <th>SFAHH</th> <th>SFAC</th> <th>SXR</th> </tr> </thead> <tbody> <tr> <td></td> <td></td> <td></td> <td></td> <td></td> <td></td> <td></td> <td></td> <td>✓</td> <td>✓</td> <td>✓</td> <td></td> </tr> </tbody> </table> <p>KYMCO, YAMAHA</p>	MATERIAL AVAILABILITY												FA	TT	V	R	MXS	HH	EPFA	GPFAX	SFA	SFAHH	SFAC	SXR									✓	✓	✓	
MATERIAL AVAILABILITY																																						
FA	TT	V	R	MXS	HH	EPFA	GPFAX	SFA	SFAHH	SFAC	SXR																											
								✓	✓	✓																												
<p>SFA608 101.5 x 39 x 10.5mm</p>		<table border="1"> <thead> <tr> <th colspan="12">MATERIAL AVAILABILITY</th> </tr> <tr> <th>FA</th> <th>TT</th> <th>V</th> <th>R</th> <th>MXS</th> <th>HH</th> <th>EPFA</th> <th>GPFAX</th> <th>SFA</th> <th>SFAHH</th> <th>SFAC</th> <th>SXR</th> </tr> </thead> <tbody> <tr> <td></td> <td></td> <td></td> <td></td> <td></td> <td></td> <td></td> <td></td> <td>✓</td> <td>✓</td> <td></td> <td></td> </tr> </tbody> </table> <p>KYMCO</p>	MATERIAL AVAILABILITY												FA	TT	V	R	MXS	HH	EPFA	GPFAX	SFA	SFAHH	SFAC	SXR									✓	✓		
MATERIAL AVAILABILITY																																						
FA	TT	V	R	MXS	HH	EPFA	GPFAX	SFA	SFAHH	SFAC	SXR																											
								✓	✓																													
<p>FA609 98 x 42 x 7mm</p>		<table border="1"> <thead> <tr> <th colspan="12">MATERIAL AVAILABILITY</th> </tr> <tr> <th>FA</th> <th>TT</th> <th>V</th> <th>R</th> <th>MXS</th> <th>HH</th> <th>EPFA</th> <th>GPFAX</th> <th>SFA</th> <th>SFAHH</th> <th>SFAC</th> <th>SXR</th> </tr> </thead> <tbody> <tr> <td></td> <td></td> <td></td> <td>✓</td> <td></td> <td></td> <td></td> <td></td> <td></td> <td></td> <td></td> <td></td> </tr> </tbody> </table> <p>JCB UTILITY VEHICLES, JOHN DEERE SIDE X SIDE</p>	MATERIAL AVAILABILITY												FA	TT	V	R	MXS	HH	EPFA	GPFAX	SFA	SFAHH	SFAC	SXR				✓								
MATERIAL AVAILABILITY																																						
FA	TT	V	R	MXS	HH	EPFA	GPFAX	SFA	SFAHH	SFAC	SXR																											
			✓																																			

DO NOT REFIT ANY SHIMS/INSULATORS TO EBC PADS FROM ORIGINAL PADS UNLESS INSTRUCTED ON NOTE ON PAD PACKAGING AND ON FA DRAWING ASSOCIATED WITH THAT PAD.

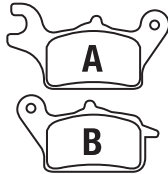

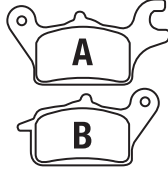
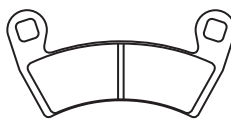
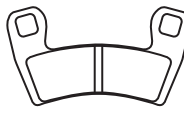

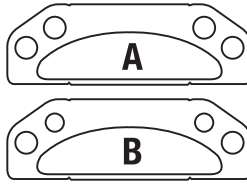

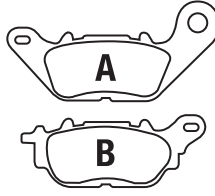
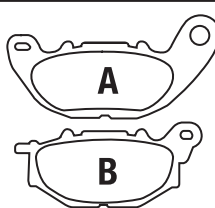
<p>FA610 135.5 x 55 x 8mm</p>		<table border="1"> <thead> <tr> <th colspan="12">MATERIAL AVAILABILITY</th> </tr> <tr> <th>FA</th> <th>TT</th> <th>V</th> <th>R</th> <th>MXS</th> <th>HH</th> <th>EPFA</th> <th>GPFAX</th> <th>SFA</th> <th>SFAHH</th> <th>SFAC</th> <th>SXR</th> </tr> </thead> <tbody> <tr> <td></td> <td></td> <td></td> <td>✓</td> <td></td> <td></td> <td></td> <td></td> <td></td> <td></td> <td></td> <td></td> </tr> </tbody> </table> <p>JOHN DEERE SIDE X SIDE, ARCTIC CAT SIDE X SIDE</p>	MATERIAL AVAILABILITY												FA	TT	V	R	MXS	HH	EPFA	GPFAX	SFA	SFAHH	SFAC	SXR				✓								
MATERIAL AVAILABILITY																																						
FA	TT	V	R	MXS	HH	EPFA	GPFAX	SFA	SFAHH	SFAC	SXR																											
			✓																																			
<p>GPFAX611HH 82 x 29 x 8.5mm</p>		<table border="1"> <thead> <tr> <th colspan="12">MATERIAL AVAILABILITY</th> </tr> <tr> <th>FA</th> <th>TT</th> <th>V</th> <th>R</th> <th>MXS</th> <th>HH</th> <th>EPFA</th> <th>GPFAX</th> <th>SFA</th> <th>SFAHH</th> <th>SFAC</th> <th>SXR</th> </tr> </thead> <tbody> <tr> <td></td> <td></td> <td></td> <td></td> <td></td> <td></td> <td></td> <td>✓</td> <td></td> <td></td> <td></td> <td></td> </tr> </tbody> </table> <p>BMW, BREMBO</p>	MATERIAL AVAILABILITY												FA	TT	V	R	MXS	HH	EPFA	GPFAX	SFA	SFAHH	SFAC	SXR								✓				
MATERIAL AVAILABILITY																																						
FA	TT	V	R	MXS	HH	EPFA	GPFAX	SFA	SFAHH	SFAC	SXR																											
							✓																															
<p>FA612 59 x 40 x 7.5mm</p>		<table border="1"> <thead> <tr> <th colspan="12">MATERIAL AVAILABILITY</th> </tr> <tr> <th>FA</th> <th>TT</th> <th>V</th> <th>R</th> <th>MXS</th> <th>HH</th> <th>EPFA</th> <th>GPFAX</th> <th>SFA</th> <th>SFAHH</th> <th>SFAC</th> <th>SXR</th> </tr> </thead> <tbody> <tr> <td></td> <td>✓</td> <td></td> <td>✓</td> <td></td> <td></td> <td></td> <td></td> <td></td> <td></td> <td></td> <td></td> </tr> </tbody> </table> <p>GAS-GAS, HUSQVARNA, KTM, OHVALE, SHERCO</p>	MATERIAL AVAILABILITY												FA	TT	V	R	MXS	HH	EPFA	GPFAX	SFA	SFAHH	SFAC	SXR		✓		✓								
MATERIAL AVAILABILITY																																						
FA	TT	V	R	MXS	HH	EPFA	GPFAX	SFA	SFAHH	SFAC	SXR																											
	✓		✓																																			
<p>FA613 81 x 46 x 9.5mm</p>		<table border="1"> <thead> <tr> <th colspan="12">MATERIAL AVAILABILITY</th> </tr> <tr> <th>FA</th> <th>TT</th> <th>V</th> <th>R</th> <th>MXS</th> <th>HH</th> <th>EPFA</th> <th>GPFAX</th> <th>SFA</th> <th>SFAHH</th> <th>SFAC</th> <th>SXR</th> </tr> </thead> <tbody> <tr> <td></td> <td></td> <td></td> <td></td> <td></td> <td>✓</td> <td></td> <td></td> <td></td> <td></td> <td></td> <td></td> </tr> </tbody> </table> <p>BMW</p>	MATERIAL AVAILABILITY												FA	TT	V	R	MXS	HH	EPFA	GPFAX	SFA	SFAHH	SFAC	SXR						✓						
MATERIAL AVAILABILITY																																						
FA	TT	V	R	MXS	HH	EPFA	GPFAX	SFA	SFAHH	SFAC	SXR																											
					✓																																	
<p>FA617 A 109.5 x 40 x 7.5mm B 95.5 x 36.5 x 7.5mm</p>		<table border="1"> <thead> <tr> <th colspan="12">MATERIAL AVAILABILITY</th> </tr> <tr> <th>FA</th> <th>TT</th> <th>V</th> <th>R</th> <th>MXS</th> <th>HH</th> <th>EPFA</th> <th>GPFAX</th> <th>SFA</th> <th>SFAHH</th> <th>SFAC</th> <th>SXR</th> </tr> </thead> <tbody> <tr> <td></td> <td>✓</td> <td></td> <td>✓</td> <td></td> <td></td> <td></td> <td></td> <td></td> <td></td> <td></td> <td></td> </tr> </tbody> </table> <p>CAN-AM</p>	MATERIAL AVAILABILITY												FA	TT	V	R	MXS	HH	EPFA	GPFAX	SFA	SFAHH	SFAC	SXR		✓		✓								
MATERIAL AVAILABILITY																																						
FA	TT	V	R	MXS	HH	EPFA	GPFAX	SFA	SFAHH	SFAC	SXR																											
	✓		✓																																			
<p>FA618 A 109.5 x 40 x 7.5mm B 95.5 x 36.5 x 7.5mm</p>		<table border="1"> <thead> <tr> <th colspan="12">MATERIAL AVAILABILITY</th> </tr> <tr> <th>FA</th> <th>TT</th> <th>V</th> <th>R</th> <th>MXS</th> <th>HH</th> <th>EPFA</th> <th>GPFAX</th> <th>SFA</th> <th>SFAHH</th> <th>SFAC</th> <th>SXR</th> </tr> </thead> <tbody> <tr> <td></td> <td>✓</td> <td></td> <td>✓</td> <td></td> <td></td> <td></td> <td></td> <td></td> <td></td> <td></td> <td></td> </tr> </tbody> </table> <p>CAN-AM</p>	MATERIAL AVAILABILITY												FA	TT	V	R	MXS	HH	EPFA	GPFAX	SFA	SFAHH	SFAC	SXR		✓		✓								
MATERIAL AVAILABILITY																																						
FA	TT	V	R	MXS	HH	EPFA	GPFAX	SFA	SFAHH	SFAC	SXR																											
	✓		✓																																			
<p>CFA619 30 x 33.5 x 4mm</p>		<table border="1"> <thead> <tr> <th colspan="12">MATERIAL AVAILABILITY</th> </tr> <tr> <th>FA</th> <th>TT</th> <th>V</th> <th>R</th> <th>MXS</th> <th>HH</th> <th>EPFA</th> <th>GPFAX</th> <th>SFA</th> <th>SFAHH</th> <th>SFAC</th> <th>SXR</th> </tr> </thead> <tbody> <tr> <td>✓</td> <td></td> <td></td> <td></td> <td></td> <td></td> <td></td> <td></td> <td></td> <td></td> <td></td> <td></td> </tr> </tbody> </table> <p>BULTACO</p>	MATERIAL AVAILABILITY												FA	TT	V	R	MXS	HH	EPFA	GPFAX	SFA	SFAHH	SFAC	SXR	✓											
MATERIAL AVAILABILITY																																						
FA	TT	V	R	MXS	HH	EPFA	GPFAX	SFA	SFAHH	SFAC	SXR																											
✓																																						
<p>SFA621 27.8mm Ø</p>		<table border="1"> <thead> <tr> <th colspan="12">MATERIAL AVAILABILITY</th> </tr> <tr> <th>FA</th> <th>TT</th> <th>V</th> <th>R</th> <th>MXS</th> <th>HH</th> <th>EPFA</th> <th>GPFAX</th> <th>SFA</th> <th>SFAHH</th> <th>SFAC</th> <th>SXR</th> </tr> </thead> <tbody> <tr> <td></td> <td></td> <td>✓</td> <td></td> <td></td> <td></td> <td></td> <td></td> <td></td> <td></td> <td></td> <td></td> </tr> </tbody> </table> <p>YAMAHA</p>	MATERIAL AVAILABILITY												FA	TT	V	R	MXS	HH	EPFA	GPFAX	SFA	SFAHH	SFAC	SXR			✓									
MATERIAL AVAILABILITY																																						
FA	TT	V	R	MXS	HH	EPFA	GPFAX	SFA	SFAHH	SFAC	SXR																											
		✓																																				
<p>FA622 77.5 x 42 x 7mm</p>		<table border="1"> <thead> <tr> <th colspan="12">MATERIAL AVAILABILITY</th> </tr> <tr> <th>FA</th> <th>TT</th> <th>V</th> <th>R</th> <th>MXS</th> <th>HH</th> <th>EPFA</th> <th>GPFAX</th> <th>SFA</th> <th>SFAHH</th> <th>SFAC</th> <th>SXR</th> </tr> </thead> <tbody> <tr> <td></td> <td>✓</td> <td></td> <td>✓</td> <td></td> <td></td> <td></td> <td></td> <td></td> <td></td> <td></td> <td></td> </tr> </tbody> </table> <p>KAYO, KIOTI/MECHRON Side x Side</p>	MATERIAL AVAILABILITY												FA	TT	V	R	MXS	HH	EPFA	GPFAX	SFA	SFAHH	SFAC	SXR		✓		✓								
MATERIAL AVAILABILITY																																						
FA	TT	V	R	MXS	HH	EPFA	GPFAX	SFA	SFAHH	SFAC	SXR																											
	✓		✓																																			
<p>FA623 84.5 x 59.5 x 10mm</p>		<table border="1"> <thead> <tr> <th colspan="12">MATERIAL AVAILABILITY</th> </tr> <tr> <th>FA</th> <th>TT</th> <th>V</th> <th>R</th> <th>MXS</th> <th>HH</th> <th>EPFA</th> <th>GPFAX</th> <th>SFA</th> <th>SFAHH</th> <th>SFAC</th> <th>SXR</th> </tr> </thead> <tbody> <tr> <td>✓</td> <td></td> <td></td> <td></td> <td></td> <td>✓</td> <td></td> <td></td> <td></td> <td></td> <td></td> <td></td> </tr> </tbody> </table> <p>HHI HAWG HALTERS AFTERMARKET CALIPERS</p>	MATERIAL AVAILABILITY												FA	TT	V	R	MXS	HH	EPFA	GPFAX	SFA	SFAHH	SFAC	SXR	✓					✓						
MATERIAL AVAILABILITY																																						
FA	TT	V	R	MXS	HH	EPFA	GPFAX	SFA	SFAHH	SFAC	SXR																											
✓					✓																																	
<p>FA624 42 x 50 x 6.5mm</p>		<table border="1"> <thead> <tr> <th colspan="12">MATERIAL AVAILABILITY</th> </tr> <tr> <th>FA</th> <th>TT</th> <th>V</th> <th>R</th> <th>MXS</th> <th>HH</th> <th>EPFA</th> <th>GPFAX</th> <th>SFA</th> <th>SFAHH</th> <th>SFAC</th> <th>SXR</th> </tr> </thead> <tbody> <tr> <td></td> <td>✓</td> <td></td> <td></td> <td></td> <td></td> <td></td> <td></td> <td></td> <td></td> <td></td> <td></td> </tr> </tbody> </table> <p>HONDA</p>	MATERIAL AVAILABILITY												FA	TT	V	R	MXS	HH	EPFA	GPFAX	SFA	SFAHH	SFAC	SXR		✓										
MATERIAL AVAILABILITY																																						
FA	TT	V	R	MXS	HH	EPFA	GPFAX	SFA	SFAHH	SFAC	SXR																											
	✓																																					

DO NOT REFIT ANY SHIMS/INSULATORS TO EBC PADS FROM ORIGINAL PADS UNLESS INSTRUCTED ON NOTE ON PAD PACKAGING AND ON FA DRAWING ASSOCIATED WITH THAT PAD.



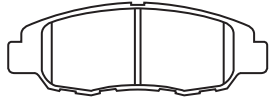
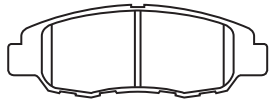



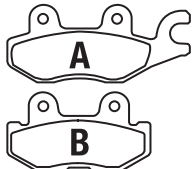
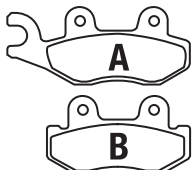


<p>FA625 A 85 x 44.5 x 7mm B 74 x 41 x 7mm</p>	 	<table border="1"> <thead> <tr> <th colspan="12">MATERIAL AVAILABILITY</th> </tr> <tr> <th>FA</th> <th>TT</th> <th>V</th> <th>R</th> <th>MXS</th> <th>HH</th> <th>EPFA</th> <th>GPFAX</th> <th>SFA</th> <th>SFAHH</th> <th>SFAC</th> <th>SXR</th> </tr> </thead> <tbody> <tr> <td></td> <td></td> <td></td> <td></td> <td></td> <td></td> <td></td> <td></td> <td>✓</td> <td></td> <td></td> <td></td> </tr> </tbody> </table> <p>HONDA</p>	MATERIAL AVAILABILITY												FA	TT	V	R	MXS	HH	EPFA	GPFAX	SFA	SFAHH	SFAC	SXR									✓			
MATERIAL AVAILABILITY																																						
FA	TT	V	R	MXS	HH	EPFA	GPFAX	SFA	SFAHH	SFAC	SXR																											
								✓																														
<p>FA627 72.5 x 53.5 x 8mm</p>		<table border="1"> <thead> <tr> <th colspan="12">MATERIAL AVAILABILITY</th> </tr> <tr> <th>FA</th> <th>TT</th> <th>V</th> <th>R</th> <th>MXS</th> <th>HH</th> <th>EPFA</th> <th>GPFAX</th> <th>SFA</th> <th>SFAHH</th> <th>SFAC</th> <th>SXR</th> </tr> </thead> <tbody> <tr> <td></td> <td></td> <td></td> <td></td> <td></td> <td></td> <td></td> <td></td> <td>✓</td> <td>✓</td> <td></td> <td></td> </tr> </tbody> </table> <p>AEON, SYM</p>	MATERIAL AVAILABILITY												FA	TT	V	R	MXS	HH	EPFA	GPFAX	SFA	SFAHH	SFAC	SXR									✓	✓		
MATERIAL AVAILABILITY																																						
FA	TT	V	R	MXS	HH	EPFA	GPFAX	SFA	SFAHH	SFAC	SXR																											
								✓	✓																													
<p>SFA628 83 x 48 x 12mm</p>	 	<table border="1"> <thead> <tr> <th colspan="12">MATERIAL AVAILABILITY</th> </tr> <tr> <th>FA</th> <th>TT</th> <th>V</th> <th>R</th> <th>MXS</th> <th>HH</th> <th>EPFA</th> <th>GPFAX</th> <th>SFA</th> <th>SFAHH</th> <th>SFAC</th> <th>SXR</th> </tr> </thead> <tbody> <tr> <td></td> <td></td> <td></td> <td></td> <td></td> <td></td> <td></td> <td></td> <td>✓</td> <td>✓</td> <td></td> <td></td> </tr> </tbody> </table> <p>SYM</p>	MATERIAL AVAILABILITY												FA	TT	V	R	MXS	HH	EPFA	GPFAX	SFA	SFAHH	SFAC	SXR									✓	✓		
MATERIAL AVAILABILITY																																						
FA	TT	V	R	MXS	HH	EPFA	GPFAX	SFA	SFAHH	SFAC	SXR																											
								✓	✓																													
<p>FA629 88 x 40 x 10mm</p>		<table border="1"> <thead> <tr> <th colspan="12">MATERIAL AVAILABILITY</th> </tr> <tr> <th>FA</th> <th>TT</th> <th>V</th> <th>R</th> <th>MXS</th> <th>HH</th> <th>EPFA</th> <th>GPFAX</th> <th>SFA</th> <th>SFAHH</th> <th>SFAC</th> <th>SXR</th> </tr> </thead> <tbody> <tr> <td>✓</td> <td>✓</td> <td>✓</td> <td>✓</td> <td></td> <td>✓</td> <td></td> <td></td> <td></td> <td></td> <td></td> <td></td> </tr> </tbody> </table> <p>BENELLI, HONDA, SUZUKI</p>	MATERIAL AVAILABILITY												FA	TT	V	R	MXS	HH	EPFA	GPFAX	SFA	SFAHH	SFAC	SXR	✓	✓	✓	✓		✓						
MATERIAL AVAILABILITY																																						
FA	TT	V	R	MXS	HH	EPFA	GPFAX	SFA	SFAHH	SFAC	SXR																											
✓	✓	✓	✓		✓																																	
<p>FA630 85 x 50.5 x 8mm</p>		<table border="1"> <thead> <tr> <th colspan="12">MATERIAL AVAILABILITY</th> </tr> <tr> <th>FA</th> <th>TT</th> <th>V</th> <th>R</th> <th>MXS</th> <th>HH</th> <th>EPFA</th> <th>GPFAX</th> <th>SFA</th> <th>SFAHH</th> <th>SFAC</th> <th>SXR</th> </tr> </thead> <tbody> <tr> <td>✓</td> <td></td> <td>✓</td> <td></td> <td></td> <td>✓</td> <td>✓</td> <td>✓</td> <td></td> <td></td> <td></td> <td></td> </tr> </tbody> </table> <p>APRILIA, BENELLI, BMW, CAN-AM, CCM, DUCATI, HARLEY DAVIDSON, KAWASAKI, INDIAN, KYMCO, MOTO GUZZI, MV AUGUSTA, NORTON, TRIUMPH</p>	MATERIAL AVAILABILITY												FA	TT	V	R	MXS	HH	EPFA	GPFAX	SFA	SFAHH	SFAC	SXR	✓		✓			✓	✓	✓				
MATERIAL AVAILABILITY																																						
FA	TT	V	R	MXS	HH	EPFA	GPFAX	SFA	SFAHH	SFAC	SXR																											
✓		✓			✓	✓	✓																															
<p>FA631 96.5 x 43.5 x 8mm</p>	 	<table border="1"> <thead> <tr> <th colspan="12">MATERIAL AVAILABILITY</th> </tr> <tr> <th>FA</th> <th>TT</th> <th>V</th> <th>R</th> <th>MXS</th> <th>HH</th> <th>EPFA</th> <th>GPFAX</th> <th>SFA</th> <th>SFAHH</th> <th>SFAC</th> <th>SXR</th> </tr> </thead> <tbody> <tr> <td>✓</td> <td></td> <td></td> <td></td> <td></td> <td>✓</td> <td></td> <td></td> <td></td> <td></td> <td></td> <td></td> </tr> </tbody> </table> <p>CAN-AM, HARLEY DAVIDSON</p>	MATERIAL AVAILABILITY												FA	TT	V	R	MXS	HH	EPFA	GPFAX	SFA	SFAHH	SFAC	SXR	✓					✓						
MATERIAL AVAILABILITY																																						
FA	TT	V	R	MXS	HH	EPFA	GPFAX	SFA	SFAHH	SFAC	SXR																											
✓					✓																																	
<p>SFA632 90 x 39 x 10.5mm</p>		<table border="1"> <thead> <tr> <th colspan="12">MATERIAL AVAILABILITY</th> </tr> <tr> <th>FA</th> <th>TT</th> <th>V</th> <th>R</th> <th>MXS</th> <th>HH</th> <th>EPFA</th> <th>GPFAX</th> <th>SFA</th> <th>SFAHH</th> <th>SFAC</th> <th>SXR</th> </tr> </thead> <tbody> <tr> <td></td> <td></td> <td></td> <td></td> <td></td> <td></td> <td></td> <td></td> <td>✓</td> <td></td> <td></td> <td></td> </tr> </tbody> </table> <p>YAMAHA</p>	MATERIAL AVAILABILITY												FA	TT	V	R	MXS	HH	EPFA	GPFAX	SFA	SFAHH	SFAC	SXR									✓			
MATERIAL AVAILABILITY																																						
FA	TT	V	R	MXS	HH	EPFA	GPFAX	SFA	SFAHH	SFAC	SXR																											
								✓																														
<p>FA634 64 x 44 x 10.5mm</p>	 	<table border="1"> <thead> <tr> <th colspan="12">MATERIAL AVAILABILITY</th> </tr> <tr> <th>FA</th> <th>TT</th> <th>V</th> <th>R</th> <th>MXS</th> <th>HH</th> <th>EPFA</th> <th>GPFAX</th> <th>SFA</th> <th>SFAHH</th> <th>SFAC</th> <th>SXR</th> </tr> </thead> <tbody> <tr> <td></td> <td>✓</td> <td></td> <td></td> <td></td> <td></td> <td></td> <td></td> <td></td> <td></td> <td></td> <td></td> </tr> </tbody> </table> <p>AJP</p>	MATERIAL AVAILABILITY												FA	TT	V	R	MXS	HH	EPFA	GPFAX	SFA	SFAHH	SFAC	SXR		✓										
MATERIAL AVAILABILITY																																						
FA	TT	V	R	MXS	HH	EPFA	GPFAX	SFA	SFAHH	SFAC	SXR																											
	✓																																					
<p>SFA635 A 96.5 x 43 x 7.5mm B 77 x 42 x 7.5mm</p>	 	<table border="1"> <thead> <tr> <th colspan="12">MATERIAL AVAILABILITY</th> </tr> <tr> <th>FA</th> <th>TT</th> <th>V</th> <th>R</th> <th>MXS</th> <th>HH</th> <th>EPFA</th> <th>GPFAX</th> <th>SFA</th> <th>SFAHH</th> <th>SFAC</th> <th>SXR</th> </tr> </thead> <tbody> <tr> <td></td> <td></td> <td></td> <td></td> <td></td> <td></td> <td></td> <td></td> <td>✓</td> <td></td> <td></td> <td></td> </tr> </tbody> </table> <p>PEUGEOT</p>	MATERIAL AVAILABILITY												FA	TT	V	R	MXS	HH	EPFA	GPFAX	SFA	SFAHH	SFAC	SXR									✓			
MATERIAL AVAILABILITY																																						
FA	TT	V	R	MXS	HH	EPFA	GPFAX	SFA	SFAHH	SFAC	SXR																											
								✓																														
<p>FA636 102 x 40 x 9.5mm</p>		<table border="1"> <thead> <tr> <th colspan="12">MATERIAL AVAILABILITY</th> </tr> <tr> <th>FA</th> <th>TT</th> <th>V</th> <th>R</th> <th>MXS</th> <th>HH</th> <th>EPFA</th> <th>GPFAX</th> <th>SFA</th> <th>SFAHH</th> <th>SFAC</th> <th>SXR</th> </tr> </thead> <tbody> <tr> <td></td> <td></td> <td></td> <td></td> <td></td> <td>✓</td> <td></td> <td></td> <td></td> <td></td> <td></td> <td></td> </tr> </tbody> </table> <p>HONDA</p>	MATERIAL AVAILABILITY												FA	TT	V	R	MXS	HH	EPFA	GPFAX	SFA	SFAHH	SFAC	SXR						✓						
MATERIAL AVAILABILITY																																						
FA	TT	V	R	MXS	HH	EPFA	GPFAX	SFA	SFAHH	SFAC	SXR																											
					✓																																	

<p>FA638 173.5 x 48.5 x 7mm</p> 	<table border="1"> <thead> <tr> <th colspan="12">MATERIAL AVAILABILITY</th> </tr> <tr> <th>FA</th><th>TT</th><th>V</th><th>R</th><th>MXS</th><th>HH</th><th>EPFA</th><th>GPFAX</th><th>SFA</th><th>SFAHH</th><th>SFAC</th><th>SXR</th> </tr> </thead> <tbody> <tr> <td>✓</td><td></td><td>✓</td><td></td><td></td><td>✓</td><td>✓</td><td></td><td></td><td></td><td></td><td></td> </tr> </tbody> </table> <p>HARLEY DAVIDSON</p>	MATERIAL AVAILABILITY												FA	TT	V	R	MXS	HH	EPFA	GPFAX	SFA	SFAHH	SFAC	SXR	✓		✓			✓	✓					
MATERIAL AVAILABILITY																																					
FA	TT	V	R	MXS	HH	EPFA	GPFAX	SFA	SFAHH	SFAC	SXR																										
✓		✓			✓	✓																															
<p>FA640 118 x 48.5 x 9.5mm</p> 	<table border="1"> <thead> <tr> <th colspan="12">MATERIAL AVAILABILITY</th> </tr> <tr> <th>FA</th><th>TT</th><th>V</th><th>R</th><th>MXS</th><th>HH</th><th>EPFA</th><th>GPFAX</th><th>SFA</th><th>SFAHH</th><th>SFAC</th><th>SXR</th> </tr> </thead> <tbody> <tr> <td>✓</td><td></td><td>✓</td><td></td><td></td><td>✓</td><td></td><td></td><td></td><td></td><td></td><td></td> </tr> </tbody> </table> <p>HARLEY DAVIDSON</p>	MATERIAL AVAILABILITY												FA	TT	V	R	MXS	HH	EPFA	GPFAX	SFA	SFAHH	SFAC	SXR	✓		✓			✓						
MATERIAL AVAILABILITY																																					
FA	TT	V	R	MXS	HH	EPFA	GPFAX	SFA	SFAHH	SFAC	SXR																										
✓		✓			✓																																
<p>FA641/4 88 x 43 x 8mm</p> 	<table border="1"> <thead> <tr> <th colspan="12">MATERIAL AVAILABILITY</th> </tr> <tr> <th>FA</th><th>TT</th><th>V</th><th>R</th><th>MXS</th><th>HH</th><th>EPFA</th><th>GPFAX</th><th>SFA</th><th>SFAHH</th><th>SFAC</th><th>SXR</th> </tr> </thead> <tbody> <tr> <td>✓</td><td></td><td>✓</td><td></td><td></td><td>✓</td><td></td><td></td><td></td><td></td><td></td><td></td> </tr> </tbody> </table> <p>HARLEY DAVIDSON</p>	MATERIAL AVAILABILITY												FA	TT	V	R	MXS	HH	EPFA	GPFAX	SFA	SFAHH	SFAC	SXR	✓		✓			✓						
MATERIAL AVAILABILITY																																					
FA	TT	V	R	MXS	HH	EPFA	GPFAX	SFA	SFAHH	SFAC	SXR																										
✓		✓			✓																																
<p>FA642 A 104 x 46.5 x 8mm B 88 x 46 x 8mm</p> 	<table border="1"> <thead> <tr> <th colspan="12">MATERIAL AVAILABILITY</th> </tr> <tr> <th>FA</th><th>TT</th><th>V</th><th>R</th><th>MXS</th><th>HH</th><th>EPFA</th><th>GPFAX</th><th>SFA</th><th>SFAHH</th><th>SFAC</th><th>SXR</th> </tr> </thead> <tbody> <tr> <td></td><td>✓</td><td></td><td>✓</td><td></td><td></td><td></td><td></td><td></td><td></td><td></td><td>✓</td> </tr> </tbody> </table> <p>YAMAHA, CAN-AM SIDE X SIDE</p>	MATERIAL AVAILABILITY												FA	TT	V	R	MXS	HH	EPFA	GPFAX	SFA	SFAHH	SFAC	SXR		✓		✓								✓
MATERIAL AVAILABILITY																																					
FA	TT	V	R	MXS	HH	EPFA	GPFAX	SFA	SFAHH	SFAC	SXR																										
	✓		✓								✓																										
<p>FA643 94 x 36.5 x 9mm</p> 	<table border="1"> <thead> <tr> <th colspan="12">MATERIAL AVAILABILITY</th> </tr> <tr> <th>FA</th><th>TT</th><th>V</th><th>R</th><th>MXS</th><th>HH</th><th>EPFA</th><th>GPFAX</th><th>SFA</th><th>SFAHH</th><th>SFAC</th><th>SXR</th> </tr> </thead> <tbody> <tr> <td></td><td></td><td>✓</td><td></td><td></td><td>✓</td><td></td><td></td><td></td><td></td><td></td><td></td> </tr> </tbody> </table> <p>HARLEY DAVIDSON</p>	MATERIAL AVAILABILITY												FA	TT	V	R	MXS	HH	EPFA	GPFAX	SFA	SFAHH	SFAC	SXR			✓			✓						
MATERIAL AVAILABILITY																																					
FA	TT	V	R	MXS	HH	EPFA	GPFAX	SFA	SFAHH	SFAC	SXR																										
		✓			✓																																
<p>FA644 56 x 32 x 5mm</p> 	<table border="1"> <thead> <tr> <th colspan="12">MATERIAL AVAILABILITY</th> </tr> <tr> <th>FA</th><th>TT</th><th>V</th><th>R</th><th>MXS</th><th>HH</th><th>EPFA</th><th>GPFAX</th><th>SFA</th><th>SFAHH</th><th>SFAC</th><th>SXR</th> </tr> </thead> <tbody> <tr> <td></td><td>✓</td><td></td><td></td><td></td><td></td><td></td><td></td><td></td><td></td><td></td><td></td> </tr> </tbody> </table> <p>MONTESA-HONDA, GAS GAS, SWM</p>	MATERIAL AVAILABILITY												FA	TT	V	R	MXS	HH	EPFA	GPFAX	SFA	SFAHH	SFAC	SXR		✓										
MATERIAL AVAILABILITY																																					
FA	TT	V	R	MXS	HH	EPFA	GPFAX	SFA	SFAHH	SFAC	SXR																										
	✓																																				
<p>FA645 A 104 x 46.5 x 8.5mm B 88 x 46 x 8.5mm</p> 	<table border="1"> <thead> <tr> <th colspan="12">MATERIAL AVAILABILITY</th> </tr> <tr> <th>FA</th><th>TT</th><th>V</th><th>R</th><th>MXS</th><th>HH</th><th>EPFA</th><th>GPFAX</th><th>SFA</th><th>SFAHH</th><th>SFAC</th><th>SXR</th> </tr> </thead> <tbody> <tr> <td></td><td>✓</td><td></td><td>✓</td><td></td><td></td><td></td><td></td><td></td><td></td><td></td><td>✓</td> </tr> </tbody> </table> <p>YAMAHA, CAN AM SIDE X SIDE</p>	MATERIAL AVAILABILITY												FA	TT	V	R	MXS	HH	EPFA	GPFAX	SFA	SFAHH	SFAC	SXR		✓		✓								✓
MATERIAL AVAILABILITY																																					
FA	TT	V	R	MXS	HH	EPFA	GPFAX	SFA	SFAHH	SFAC	SXR																										
	✓		✓								✓																										
<p>GPFAX646HH 94 x 34 x 11.5mm</p> 	<table border="1"> <thead> <tr> <th colspan="12">MATERIAL AVAILABILITY</th> </tr> <tr> <th>FA</th><th>TT</th><th>V</th><th>R</th><th>MXS</th><th>HH</th><th>EPFA</th><th>GPFAX</th><th>SFA</th><th>SFAHH</th><th>SFAC</th><th>SXR</th> </tr> </thead> <tbody> <tr> <td></td><td></td><td></td><td></td><td></td><td></td><td></td><td>✓</td><td></td><td></td><td></td><td></td> </tr> </tbody> </table> <p>BREMBO AFTERMARKET CALIPER</p>	MATERIAL AVAILABILITY												FA	TT	V	R	MXS	HH	EPFA	GPFAX	SFA	SFAHH	SFAC	SXR								✓				
MATERIAL AVAILABILITY																																					
FA	TT	V	R	MXS	HH	EPFA	GPFAX	SFA	SFAHH	SFAC	SXR																										
							✓																														
<p>FA649 99 x 55 x 8.5mm</p> 	<table border="1"> <thead> <tr> <th colspan="12">MATERIAL AVAILABILITY</th> </tr> <tr> <th>FA</th><th>TT</th><th>V</th><th>R</th><th>MXS</th><th>HH</th><th>EPFA</th><th>GPFAX</th><th>SFA</th><th>SFAHH</th><th>SFAC</th><th>SXR</th> </tr> </thead> <tbody> <tr> <td>✓</td><td></td><td></td><td></td><td></td><td></td><td></td><td></td><td></td><td></td><td></td><td></td> </tr> </tbody> </table> <p>JAYBRAKE CALIPER</p>	MATERIAL AVAILABILITY												FA	TT	V	R	MXS	HH	EPFA	GPFAX	SFA	SFAHH	SFAC	SXR	✓											
MATERIAL AVAILABILITY																																					
FA	TT	V	R	MXS	HH	EPFA	GPFAX	SFA	SFAHH	SFAC	SXR																										
✓																																					
<p>FA650 97 x 39.5 x 7.5mm</p> 	<table border="1"> <thead> <tr> <th colspan="12">MATERIAL AVAILABILITY</th> </tr> <tr> <th>FA</th><th>TT</th><th>V</th><th>R</th><th>MXS</th><th>HH</th><th>EPFA</th><th>GPFAX</th><th>SFA</th><th>SFAHH</th><th>SFAC</th><th>SXR</th> </tr> </thead> <tbody> <tr> <td></td><td></td><td></td><td></td><td></td><td></td><td></td><td></td><td>✓</td><td>✓</td><td>✓</td><td></td> </tr> </tbody> </table> <p>PEUGEOT</p>	MATERIAL AVAILABILITY												FA	TT	V	R	MXS	HH	EPFA	GPFAX	SFA	SFAHH	SFAC	SXR									✓	✓	✓	
MATERIAL AVAILABILITY																																					
FA	TT	V	R	MXS	HH	EPFA	GPFAX	SFA	SFAHH	SFAC	SXR																										
								✓	✓	✓																											
<p>FA651 72.5 x 30 x 10mm</p> 	<table border="1"> <thead> <tr> <th colspan="12">MATERIAL AVAILABILITY</th> </tr> <tr> <th>FA</th><th>TT</th><th>V</th><th>R</th><th>MXS</th><th>HH</th><th>EPFA</th><th>GPFAX</th><th>SFA</th><th>SFAHH</th><th>SFAC</th><th>SXR</th> </tr> </thead> <tbody> <tr> <td></td><td>✓</td><td></td><td>✓</td><td></td><td></td><td></td><td></td><td></td><td></td><td></td><td></td> </tr> </tbody> </table> <p>CF MOTO, QUADZILLA</p>	MATERIAL AVAILABILITY												FA	TT	V	R	MXS	HH	EPFA	GPFAX	SFA	SFAHH	SFAC	SXR		✓		✓								
MATERIAL AVAILABILITY																																					
FA	TT	V	R	MXS	HH	EPFA	GPFAX	SFA	SFAHH	SFAC	SXR																										
	✓		✓																																		

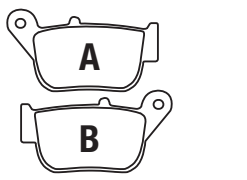
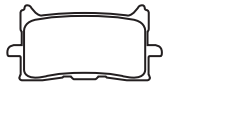

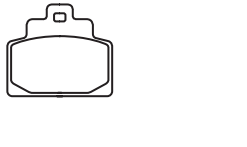
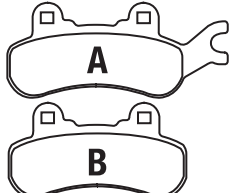
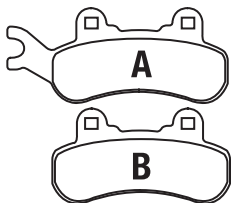
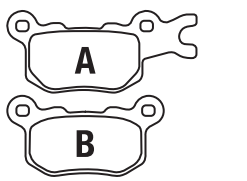
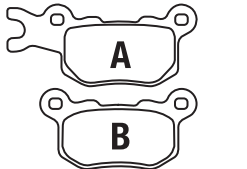
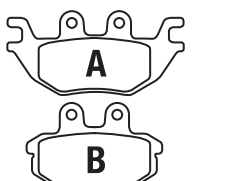

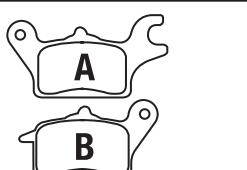
DO NOT REFIT ANY SHIMS/INSULATORS TO EBC PADS FROM ORIGINAL PADS UNLESS INSTRUCTED ON NOTE ON PAD PACKAGING AND ON FA DRAWING ASSOCIATED WITH THAT PAD.

<p>SFA652 A 85 x 44.5 x 9mm B 75 x 41 x 9mm</p>		<table border="1"> <thead> <tr> <th colspan="13">MATERIAL AVAILABILITY</th> </tr> <tr> <th>FA</th><th>TT</th><th>V</th><th>R</th><th>MXS</th><th>HH</th><th>EPFA</th><th>GPFAX</th><th>SFA</th><th>SFAHH</th><th>SFAC</th><th>SXR</th><th></th> </tr> </thead> <tbody> <tr> <td></td><td></td><td></td><td></td><td></td><td></td><td></td><td></td><td>✓</td><td></td><td></td><td></td><td></td> </tr> </tbody> </table> <p>SUZUKI, YAMAHA</p>	MATERIAL AVAILABILITY													FA	TT	V	R	MXS	HH	EPFA	GPFAX	SFA	SFAHH	SFAC	SXR										✓				
MATERIAL AVAILABILITY																																									
FA	TT	V	R	MXS	HH	EPFA	GPFAX	SFA	SFAHH	SFAC	SXR																														
								✓																																	
<p>FA654 73.5 x 42 x 6.5mm</p>		<table border="1"> <thead> <tr> <th colspan="13">MATERIAL AVAILABILITY</th> </tr> <tr> <th>FA</th><th>TT</th><th>V</th><th>R</th><th>MXS</th><th>HH</th><th>EPFA</th><th>GPFAX</th><th>SFA</th><th>SFAHH</th><th>SFAC</th><th>SXR</th><th></th> </tr> </thead> <tbody> <tr> <td>✓</td><td></td><td></td><td></td><td></td><td></td><td></td><td></td><td></td><td></td><td></td><td></td><td></td> </tr> </tbody> </table> <p>HM</p>	MATERIAL AVAILABILITY													FA	TT	V	R	MXS	HH	EPFA	GPFAX	SFA	SFAHH	SFAC	SXR		✓												
MATERIAL AVAILABILITY																																									
FA	TT	V	R	MXS	HH	EPFA	GPFAX	SFA	SFAHH	SFAC	SXR																														
✓																																									
<p>SFA655 A 85 x 44 x 9mm B 74.5 x 41.5 x 9mm</p>		<table border="1"> <thead> <tr> <th colspan="13">MATERIAL AVAILABILITY</th> </tr> <tr> <th>FA</th><th>TT</th><th>V</th><th>R</th><th>MXS</th><th>HH</th><th>EPFA</th><th>GPFAX</th><th>SFA</th><th>SFAHH</th><th>SFAC</th><th>SXR</th><th></th> </tr> </thead> <tbody> <tr> <td></td><td></td><td></td><td></td><td></td><td></td><td></td><td></td><td>✓</td><td></td><td></td><td></td><td></td> </tr> </tbody> </table> <p>YAMAHA</p>	MATERIAL AVAILABILITY													FA	TT	V	R	MXS	HH	EPFA	GPFAX	SFA	SFAHH	SFAC	SXR										✓				
MATERIAL AVAILABILITY																																									
FA	TT	V	R	MXS	HH	EPFA	GPFAX	SFA	SFAHH	SFAC	SXR																														
								✓																																	
<p>FA656 120.5 x 57 x 7mm</p>		<table border="1"> <thead> <tr> <th colspan="13">MATERIAL AVAILABILITY</th> </tr> <tr> <th>FA</th><th>TT</th><th>V</th><th>R</th><th>MXS</th><th>HH</th><th>EPFA</th><th>GPFAX</th><th>SFA</th><th>SFAHH</th><th>SFAC</th><th>SXR</th><th></th> </tr> </thead> <tbody> <tr> <td></td><td>✓</td><td></td><td>✓</td><td></td><td></td><td></td><td></td><td></td><td></td><td></td><td></td><td>✓</td> </tr> </tbody> </table> <p>POLARIS</p>	MATERIAL AVAILABILITY													FA	TT	V	R	MXS	HH	EPFA	GPFAX	SFA	SFAHH	SFAC	SXR			✓		✓									✓
MATERIAL AVAILABILITY																																									
FA	TT	V	R	MXS	HH	EPFA	GPFAX	SFA	SFAHH	SFAC	SXR																														
	✓		✓									✓																													
<p>FA657 97 x 52 x 7mm</p>		<table border="1"> <thead> <tr> <th colspan="13">MATERIAL AVAILABILITY</th> </tr> <tr> <th>FA</th><th>TT</th><th>V</th><th>R</th><th>MXS</th><th>HH</th><th>EPFA</th><th>GPFAX</th><th>SFA</th><th>SFAHH</th><th>SFAC</th><th>SXR</th><th></th> </tr> </thead> <tbody> <tr> <td></td><td>✓</td><td></td><td>✓</td><td></td><td></td><td></td><td></td><td></td><td></td><td></td><td></td><td></td> </tr> </tbody> </table> <p>POLARIS</p>	MATERIAL AVAILABILITY													FA	TT	V	R	MXS	HH	EPFA	GPFAX	SFA	SFAHH	SFAC	SXR			✓		✓									
MATERIAL AVAILABILITY																																									
FA	TT	V	R	MXS	HH	EPFA	GPFAX	SFA	SFAHH	SFAC	SXR																														
	✓		✓																																						
<p>FA658 67.5 x 48.5 x 7mm</p>		<table border="1"> <thead> <tr> <th colspan="13">MATERIAL AVAILABILITY</th> </tr> <tr> <th>FA</th><th>TT</th><th>V</th><th>R</th><th>MXS</th><th>HH</th><th>EPFA</th><th>GPFAX</th><th>SFA</th><th>SFAHH</th><th>SFAC</th><th>SXR</th><th></th> </tr> </thead> <tbody> <tr> <td>✓</td><td></td><td>✓</td><td></td><td></td><td>✓</td><td></td><td></td><td></td><td></td><td></td><td></td><td></td> </tr> </tbody> </table> <p>BENELLI, CF MOTO, GENERIC/KSR, KEEWAY, WK BIKES</p>	MATERIAL AVAILABILITY													FA	TT	V	R	MXS	HH	EPFA	GPFAX	SFA	SFAHH	SFAC	SXR		✓		✓			✓							
MATERIAL AVAILABILITY																																									
FA	TT	V	R	MXS	HH	EPFA	GPFAX	SFA	SFAHH	SFAC	SXR																														
✓		✓			✓																																				
<p>FA659 A 134.5 x 44.5 x 7.5mm 4 x 13.5mm holes B 134.5 x 44.5 x 9.5mm 2 x 10.5mm holes</p>		<table border="1"> <thead> <tr> <th colspan="13">MATERIAL AVAILABILITY</th> </tr> <tr> <th>FA</th><th>TT</th><th>V</th><th>R</th><th>MXS</th><th>HH</th><th>EPFA</th><th>GPFAX</th><th>SFA</th><th>SFAHH</th><th>SFAC</th><th>SXR</th><th></th> </tr> </thead> <tbody> <tr> <td></td><td>✓</td><td></td><td></td><td></td><td></td><td></td><td></td><td></td><td></td><td></td><td></td><td></td> </tr> </tbody> </table> <p>KIOTI/MECHRON SIDE X SIDE, POLARIS</p>	MATERIAL AVAILABILITY													FA	TT	V	R	MXS	HH	EPFA	GPFAX	SFA	SFAHH	SFAC	SXR			✓											
MATERIAL AVAILABILITY																																									
FA	TT	V	R	MXS	HH	EPFA	GPFAX	SFA	SFAHH	SFAC	SXR																														
	✓																																								
<p>SFA661/4 44.5 x 53.5 x 7.5mm 4 pad set</p>		<table border="1"> <thead> <tr> <th colspan="13">MATERIAL AVAILABILITY</th> </tr> <tr> <th>FA</th><th>TT</th><th>V</th><th>R</th><th>MXS</th><th>HH</th><th>EPFA</th><th>GPFAX</th><th>SFA</th><th>SFAHH</th><th>SFAC</th><th>SXR</th><th></th> </tr> </thead> <tbody> <tr> <td></td><td></td><td></td><td></td><td></td><td></td><td></td><td></td><td>✓</td><td></td><td></td><td></td><td></td> </tr> </tbody> </table> <p>DAELIM</p>	MATERIAL AVAILABILITY													FA	TT	V	R	MXS	HH	EPFA	GPFAX	SFA	SFAHH	SFAC	SXR										✓				
MATERIAL AVAILABILITY																																									
FA	TT	V	R	MXS	HH	EPFA	GPFAX	SFA	SFAHH	SFAC	SXR																														
								✓																																	
<p>FA662 A 113.5 x 52 x 10.5mm B 97.5 x 39.5 x 10.5mm</p>		<table border="1"> <thead> <tr> <th colspan="13">MATERIAL AVAILABILITY</th> </tr> <tr> <th>FA</th><th>TT</th><th>V</th><th>R</th><th>MXS</th><th>HH</th><th>EPFA</th><th>GPFAX</th><th>SFA</th><th>SFAHH</th><th>SFAC</th><th>SXR</th><th></th> </tr> </thead> <tbody> <tr> <td>✓</td><td></td><td>✓</td><td></td><td></td><td>✓</td><td></td><td>✓</td><td></td><td></td><td></td><td></td><td></td> </tr> </tbody> </table> <p>YAMAHA</p>	MATERIAL AVAILABILITY													FA	TT	V	R	MXS	HH	EPFA	GPFAX	SFA	SFAHH	SFAC	SXR		✓		✓			✓		✓					
MATERIAL AVAILABILITY																																									
FA	TT	V	R	MXS	HH	EPFA	GPFAX	SFA	SFAHH	SFAC	SXR																														
✓		✓			✓		✓																																		
<p>FA663 A 113.5 x 55 x 8.5mm B 98.5 x 44.5 x 8.5mm</p>		<table border="1"> <thead> <tr> <th colspan="13">MATERIAL AVAILABILITY</th> </tr> <tr> <th>FA</th><th>TT</th><th>V</th><th>R</th><th>MXS</th><th>HH</th><th>EPFA</th><th>GPFAX</th><th>SFA</th><th>SFAHH</th><th>SFAC</th><th>SXR</th><th></th> </tr> </thead> <tbody> <tr> <td>✓</td><td></td><td>✓</td><td></td><td></td><td>✓</td><td></td><td>✓</td><td></td><td></td><td></td><td></td><td></td> </tr> </tbody> </table> <p>YAMAHA</p>	MATERIAL AVAILABILITY													FA	TT	V	R	MXS	HH	EPFA	GPFAX	SFA	SFAHH	SFAC	SXR		✓		✓			✓		✓					
MATERIAL AVAILABILITY																																									
FA	TT	V	R	MXS	HH	EPFA	GPFAX	SFA	SFAHH	SFAC	SXR																														
✓		✓			✓		✓																																		

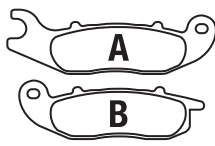
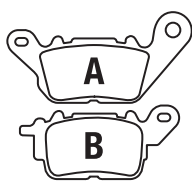
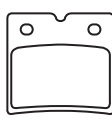
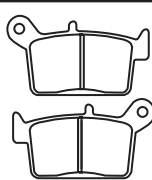

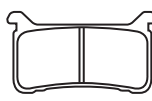


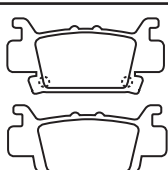
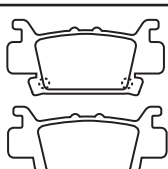
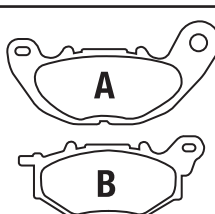
DO NOT REFIT ANY SHIMS/INSULATORS TO EBC PADS FROM ORIGINAL PADS UNLESS INSTRUCTED ON NOTE ON PAD PACKAGING AND ON FA DRAWING ASSOCIATED WITH THAT PAD.

<p>FA664 A 94 x 33 x 8mm</p>		<table border="1"> <thead> <tr> <th colspan="12">MATERIAL AVAILABILITY</th> </tr> <tr> <th>FA</th><th>TT</th><th>V</th><th>R</th><th>MXS</th><th>HH</th><th>EPFA</th><th>GPFAX</th><th>SFA</th><th>SFAHH</th><th>SFAC</th><th>SXR</th> </tr> </thead> <tbody> <tr> <td>✓</td><td>✓</td><td></td><td>✓</td><td></td><td></td><td></td><td></td><td></td><td></td><td></td><td></td> </tr> </tbody> </table> <p>FANTIC, HONLEY, WK BIKES, SWM</p>	MATERIAL AVAILABILITY												FA	TT	V	R	MXS	HH	EPFA	GPFAX	SFA	SFAHH	SFAC	SXR	✓	✓		✓								
MATERIAL AVAILABILITY																																						
FA	TT	V	R	MXS	HH	EPFA	GPFAX	SFA	SFAHH	SFAC	SXR																											
✓	✓		✓																																			
<p>FA665 41 x 54 x 6mm</p>		<table border="1"> <thead> <tr> <th colspan="12">MATERIAL AVAILABILITY</th> </tr> <tr> <th>FA</th><th>TT</th><th>V</th><th>R</th><th>MXS</th><th>HH</th><th>EPFA</th><th>GPFAX</th><th>SFA</th><th>SFAHH</th><th>SFAC</th><th>SXR</th> </tr> </thead> <tbody> <tr> <td>✓</td><td></td><td></td><td></td><td></td><td></td><td></td><td></td><td></td><td></td><td></td><td></td> </tr> </tbody> </table> <p>CPI</p>	MATERIAL AVAILABILITY												FA	TT	V	R	MXS	HH	EPFA	GPFAX	SFA	SFAHH	SFAC	SXR	✓											
MATERIAL AVAILABILITY																																						
FA	TT	V	R	MXS	HH	EPFA	GPFAX	SFA	SFAHH	SFAC	SXR																											
✓																																						
<p>FA669/4 137.5 x 49.5 x 15mm (4 pad set)</p>		<table border="1"> <thead> <tr> <th colspan="12">MATERIAL AVAILABILITY</th> </tr> <tr> <th>FA</th><th>TT</th><th>V</th><th>R</th><th>MXS</th><th>HH</th><th>EPFA</th><th>GPFAX</th><th>SFA</th><th>SFAHH</th><th>SFAC</th><th>SXR</th> </tr> </thead> <tbody> <tr> <td>✓</td><td></td><td></td><td></td><td></td><td></td><td></td><td></td><td></td><td></td><td></td><td></td> </tr> </tbody> </table> <p>POLARIS – Also available in Yellow Coded Sport Upgrade Pad Blend - Order FA4669/4</p>	MATERIAL AVAILABILITY												FA	TT	V	R	MXS	HH	EPFA	GPFAX	SFA	SFAHH	SFAC	SXR	✓											
MATERIAL AVAILABILITY																																						
FA	TT	V	R	MXS	HH	EPFA	GPFAX	SFA	SFAHH	SFAC	SXR																											
✓																																						
<p>FA670 137.5 x 49.5 x 6mm (2 pad set)</p>		<table border="1"> <thead> <tr> <th colspan="12">MATERIAL AVAILABILITY</th> </tr> <tr> <th>FA</th><th>TT</th><th>V</th><th>R</th><th>MXS</th><th>HH</th><th>EPFA</th><th>GPFAX</th><th>SFA</th><th>SFAHH</th><th>SFAC</th><th>SXR</th> </tr> </thead> <tbody> <tr> <td>✓</td><td></td><td></td><td></td><td></td><td></td><td></td><td></td><td></td><td></td><td></td><td></td> </tr> </tbody> </table> <p>POLARIS – Also available in Yellow Coded Sport Upgrade Pad Blend - Order FA4670</p>	MATERIAL AVAILABILITY												FA	TT	V	R	MXS	HH	EPFA	GPFAX	SFA	SFAHH	SFAC	SXR	✓											
MATERIAL AVAILABILITY																																						
FA	TT	V	R	MXS	HH	EPFA	GPFAX	SFA	SFAHH	SFAC	SXR																											
✓																																						
<p>FA671 A 94 x 36.5 x 10mm B 94 x 36.5 x 8.5mm</p>		<table border="1"> <thead> <tr> <th colspan="12">MATERIAL AVAILABILITY</th> </tr> <tr> <th>FA</th><th>TT</th><th>V</th><th>R</th><th>MXS</th><th>HH</th><th>EPFA</th><th>GPFAX</th><th>SFA</th><th>SFAHH</th><th>SFAC</th><th>SXR</th> </tr> </thead> <tbody> <tr> <td>✓</td><td></td><td>✓</td><td></td><td></td><td>✓</td><td></td><td></td><td></td><td></td><td></td><td></td> </tr> </tbody> </table> <p>BMW</p>	MATERIAL AVAILABILITY												FA	TT	V	R	MXS	HH	EPFA	GPFAX	SFA	SFAHH	SFAC	SXR	✓		✓			✓						
MATERIAL AVAILABILITY																																						
FA	TT	V	R	MXS	HH	EPFA	GPFAX	SFA	SFAHH	SFAC	SXR																											
✓		✓			✓																																	
<p>FA672 114.5 x 38.5 x 9.5mm</p>		<table border="1"> <thead> <tr> <th colspan="12">MATERIAL AVAILABILITY</th> </tr> <tr> <th>FA</th><th>TT</th><th>V</th><th>R</th><th>MXS</th><th>HH</th><th>EPFA</th><th>GPFAX</th><th>SFA</th><th>SFAHH</th><th>SFAC</th><th>SXR</th> </tr> </thead> <tbody> <tr> <td>✓</td><td></td><td>✓</td><td></td><td></td><td>✓</td><td></td><td></td><td></td><td></td><td></td><td></td> </tr> </tbody> </table> <p>INDIAN</p>	MATERIAL AVAILABILITY												FA	TT	V	R	MXS	HH	EPFA	GPFAX	SFA	SFAHH	SFAC	SXR	✓		✓			✓						
MATERIAL AVAILABILITY																																						
FA	TT	V	R	MXS	HH	EPFA	GPFAX	SFA	SFAHH	SFAC	SXR																											
✓		✓			✓																																	
<p>GFA673HH 93.5 x 34 x 9.5mm</p>		<table border="1"> <thead> <tr> <th colspan="12">MATERIAL AVAILABILITY</th> </tr> <tr> <th>FA</th><th>TT</th><th>V</th><th>R</th><th>MXS</th><th>HH</th><th>EPFA</th><th>GPFAX</th><th>SFA</th><th>SFAHH</th><th>SFAC</th><th>SXR</th> </tr> </thead> <tbody> <tr> <td></td><td></td><td></td><td></td><td></td><td></td><td></td><td>✓</td><td></td><td></td><td></td><td></td> </tr> </tbody> </table> <p>BREMBO AFTERMARKET CALIPER</p>	MATERIAL AVAILABILITY												FA	TT	V	R	MXS	HH	EPFA	GPFAX	SFA	SFAHH	SFAC	SXR								✓				
MATERIAL AVAILABILITY																																						
FA	TT	V	R	MXS	HH	EPFA	GPFAX	SFA	SFAHH	SFAC	SXR																											
							✓																															
<p>FA674 A 97 x 42 x 7.5mm B 77 x 42 x 8mm</p>		<table border="1"> <thead> <tr> <th colspan="12">MATERIAL AVAILABILITY</th> </tr> <tr> <th>FA</th><th>TT</th><th>V</th><th>R</th><th>MXS</th><th>HH</th><th>EPFA</th><th>GPFAX</th><th>SFA</th><th>SFAHH</th><th>SFAC</th><th>SXR</th> </tr> </thead> <tbody> <tr> <td></td><td>✓</td><td></td><td>✓</td><td></td><td></td><td></td><td></td><td></td><td></td><td></td><td></td> </tr> </tbody> </table> <p>YAMAHA</p>	MATERIAL AVAILABILITY												FA	TT	V	R	MXS	HH	EPFA	GPFAX	SFA	SFAHH	SFAC	SXR		✓		✓								
MATERIAL AVAILABILITY																																						
FA	TT	V	R	MXS	HH	EPFA	GPFAX	SFA	SFAHH	SFAC	SXR																											
	✓		✓																																			
<p>FA675 A 97 x 42 x 7.5mm B 77 x 42 x 8mm</p>		<table border="1"> <thead> <tr> <th colspan="12">MATERIAL AVAILABILITY</th> </tr> <tr> <th>FA</th><th>TT</th><th>V</th><th>R</th><th>MXS</th><th>HH</th><th>EPFA</th><th>GPFAX</th><th>SFA</th><th>SFAHH</th><th>SFAC</th><th>SXR</th> </tr> </thead> <tbody> <tr> <td></td><td>✓</td><td></td><td>✓</td><td></td><td></td><td></td><td></td><td></td><td></td><td></td><td></td> </tr> </tbody> </table> <p>YAMAHA</p>	MATERIAL AVAILABILITY												FA	TT	V	R	MXS	HH	EPFA	GPFAX	SFA	SFAHH	SFAC	SXR		✓		✓								
MATERIAL AVAILABILITY																																						
FA	TT	V	R	MXS	HH	EPFA	GPFAX	SFA	SFAHH	SFAC	SXR																											
	✓		✓																																			
<p>FA676 114 x 37 x 9mm</p>		<table border="1"> <thead> <tr> <th colspan="12">MATERIAL AVAILABILITY</th> </tr> <tr> <th>FA</th><th>TT</th><th>V</th><th>R</th><th>MXS</th><th>HH</th><th>EPFA</th><th>GPFAX</th><th>SFA</th><th>SFAHH</th><th>SFAC</th><th>SXR</th> </tr> </thead> <tbody> <tr> <td></td><td>✓</td><td></td><td>✓</td><td></td><td></td><td></td><td></td><td></td><td></td><td></td><td></td> </tr> </tbody> </table> <p>YAMAHA</p>	MATERIAL AVAILABILITY												FA	TT	V	R	MXS	HH	EPFA	GPFAX	SFA	SFAHH	SFAC	SXR		✓		✓								
MATERIAL AVAILABILITY																																						
FA	TT	V	R	MXS	HH	EPFA	GPFAX	SFA	SFAHH	SFAC	SXR																											
	✓		✓																																			
<p>FA677 104 x 34.5 x 9mm</p>		<table border="1"> <thead> <tr> <th colspan="12">MATERIAL AVAILABILITY</th> </tr> <tr> <th>FA</th><th>TT</th><th>V</th><th>R</th><th>MXS</th><th>HH</th><th>EPFA</th><th>GPFAX</th><th>SFA</th><th>SFAHH</th><th>SFAC</th><th>SXR</th> </tr> </thead> <tbody> <tr> <td></td><td>✓</td><td></td><td>✓</td><td></td><td></td><td></td><td></td><td></td><td></td><td></td><td>✓</td> </tr> </tbody> </table> <p>YAMAHA</p>	MATERIAL AVAILABILITY												FA	TT	V	R	MXS	HH	EPFA	GPFAX	SFA	SFAHH	SFAC	SXR		✓		✓								✓
MATERIAL AVAILABILITY																																						
FA	TT	V	R	MXS	HH	EPFA	GPFAX	SFA	SFAHH	SFAC	SXR																											
	✓		✓								✓																											

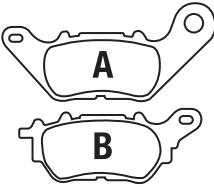
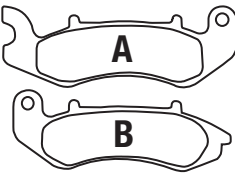
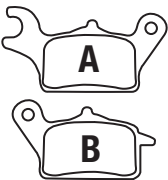
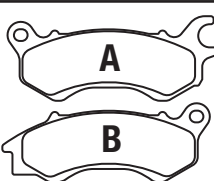

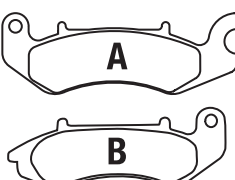
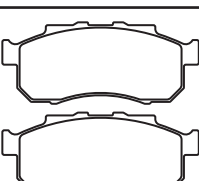

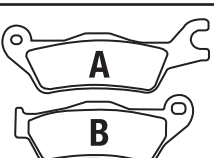
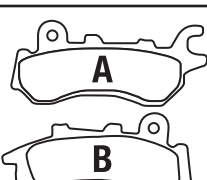

DO NOT REFIT ANY SHIMS/INSULATORS TO EBC PADS FROM ORIGINAL PADS UNLESS INSTRUCTED ON NOTE ON PAD PACKAGING AND ON FA DRAWING ASSOCIATED WITH THAT PAD.

<p>SFA678 A 80 x 43.5 x 8.5mm B 80 x 43.5 x 8.5mm</p>		<table border="1"> <thead> <tr> <th colspan="12">MATERIAL AVAILABILITY</th> </tr> <tr> <th>FA</th> <th>TT</th> <th>V</th> <th>R</th> <th>MXS</th> <th>HH</th> <th>EPFA</th> <th>GPFAX</th> <th>SFA</th> <th>SFAHH</th> <th>SFAC</th> <th>SXR</th> </tr> </thead> <tbody> <tr> <td></td> <td></td> <td></td> <td></td> <td></td> <td></td> <td></td> <td></td> <td>✓</td> <td>✓</td> <td>✓</td> <td></td> </tr> </tbody> </table> <p>YAMAHA</p>	MATERIAL AVAILABILITY												FA	TT	V	R	MXS	HH	EPFA	GPFAX	SFA	SFAHH	SFAC	SXR									✓	✓	✓	
MATERIAL AVAILABILITY																																						
FA	TT	V	R	MXS	HH	EPFA	GPFAX	SFA	SFAHH	SFAC	SXR																											
								✓	✓	✓																												
<p>FA679 83 x 39.5 x 8mm</p>		<table border="1"> <thead> <tr> <th colspan="12">MATERIAL AVAILABILITY</th> </tr> <tr> <th>FA</th> <th>TT</th> <th>V</th> <th>R</th> <th>MXS</th> <th>HH</th> <th>EPFA</th> <th>GPFAX</th> <th>SFA</th> <th>SFAHH</th> <th>SFAC</th> <th>SXR</th> </tr> </thead> <tbody> <tr> <td></td> <td></td> <td></td> <td></td> <td></td> <td>✓</td> <td></td> <td></td> <td></td> <td></td> <td></td> <td></td> </tr> </tbody> </table> <p>HONDA</p>	MATERIAL AVAILABILITY												FA	TT	V	R	MXS	HH	EPFA	GPFAX	SFA	SFAHH	SFAC	SXR						✓						
MATERIAL AVAILABILITY																																						
FA	TT	V	R	MXS	HH	EPFA	GPFAX	SFA	SFAHH	SFAC	SXR																											
					✓																																	
<p>FA680 155 x 53 x 7mm</p>		<table border="1"> <thead> <tr> <th colspan="12">MATERIAL AVAILABILITY</th> </tr> <tr> <th>FA</th> <th>TT</th> <th>V</th> <th>R</th> <th>MXS</th> <th>HH</th> <th>EPFA</th> <th>GPFAX</th> <th>SFA</th> <th>SFAHH</th> <th>SFAC</th> <th>SXR</th> </tr> </thead> <tbody> <tr> <td></td> <td></td> <td></td> <td>✓</td> <td></td> <td></td> <td></td> <td></td> <td></td> <td></td> <td></td> <td>✓</td> </tr> </tbody> </table> <p>POLARIS</p>	MATERIAL AVAILABILITY												FA	TT	V	R	MXS	HH	EPFA	GPFAX	SFA	SFAHH	SFAC	SXR				✓								✓
MATERIAL AVAILABILITY																																						
FA	TT	V	R	MXS	HH	EPFA	GPFAX	SFA	SFAHH	SFAC	SXR																											
			✓								✓																											
<p>SFA681 55.5 x 49.5 x 7.5mm</p>		<table border="1"> <thead> <tr> <th colspan="12">MATERIAL AVAILABILITY</th> </tr> <tr> <th>FA</th> <th>TT</th> <th>V</th> <th>R</th> <th>MXS</th> <th>HH</th> <th>EPFA</th> <th>GPFAX</th> <th>SFA</th> <th>SFAHH</th> <th>SFAC</th> <th>SXR</th> </tr> </thead> <tbody> <tr> <td></td> <td></td> <td></td> <td></td> <td></td> <td></td> <td></td> <td></td> <td>✓</td> <td>✓</td> <td>✓</td> <td></td> </tr> </tbody> </table> <p>PIAGGIO, VESPA</p>	MATERIAL AVAILABILITY												FA	TT	V	R	MXS	HH	EPFA	GPFAX	SFA	SFAHH	SFAC	SXR									✓	✓	✓	
MATERIAL AVAILABILITY																																						
FA	TT	V	R	MXS	HH	EPFA	GPFAX	SFA	SFAHH	SFAC	SXR																											
								✓	✓	✓																												
<p>FA682 A 117.5 x 50.5 x 8mm B 95 x 50.5 x 8mm</p>		<table border="1"> <thead> <tr> <th colspan="12">MATERIAL AVAILABILITY</th> </tr> <tr> <th>FA</th> <th>TT</th> <th>V</th> <th>R</th> <th>MXS</th> <th>HH</th> <th>EPFA</th> <th>GPFAX</th> <th>SFA</th> <th>SFAHH</th> <th>SFAC</th> <th>SXR</th> </tr> </thead> <tbody> <tr> <td></td> <td>✓</td> <td></td> <td>✓</td> <td></td> <td></td> <td></td> <td></td> <td></td> <td></td> <td></td> <td>✓</td> </tr> </tbody> </table> <p>CAN-AM Side x Side</p>	MATERIAL AVAILABILITY												FA	TT	V	R	MXS	HH	EPFA	GPFAX	SFA	SFAHH	SFAC	SXR		✓		✓								✓
MATERIAL AVAILABILITY																																						
FA	TT	V	R	MXS	HH	EPFA	GPFAX	SFA	SFAHH	SFAC	SXR																											
	✓		✓								✓																											
<p>FA683 A 117.5 x 50.5 x 8mm B 95 x 50.5 x 8mm</p>		<table border="1"> <thead> <tr> <th colspan="12">MATERIAL AVAILABILITY</th> </tr> <tr> <th>FA</th> <th>TT</th> <th>V</th> <th>R</th> <th>MXS</th> <th>HH</th> <th>EPFA</th> <th>GPFAX</th> <th>SFA</th> <th>SFAHH</th> <th>SFAC</th> <th>SXR</th> </tr> </thead> <tbody> <tr> <td></td> <td>✓</td> <td></td> <td>✓</td> <td></td> <td></td> <td></td> <td></td> <td></td> <td></td> <td></td> <td>✓</td> </tr> </tbody> </table> <p>CAN-AM Side x Side</p>	MATERIAL AVAILABILITY												FA	TT	V	R	MXS	HH	EPFA	GPFAX	SFA	SFAHH	SFAC	SXR		✓		✓								✓
MATERIAL AVAILABILITY																																						
FA	TT	V	R	MXS	HH	EPFA	GPFAX	SFA	SFAHH	SFAC	SXR																											
	✓		✓								✓																											
<p>FA684 A 101.5 x 43 x 8mm B 83 x 43 x 8mm</p>		<table border="1"> <thead> <tr> <th colspan="12">MATERIAL AVAILABILITY</th> </tr> <tr> <th>FA</th> <th>TT</th> <th>V</th> <th>R</th> <th>MXS</th> <th>HH</th> <th>EPFA</th> <th>GPFAX</th> <th>SFA</th> <th>SFAHH</th> <th>SFAC</th> <th>SXR</th> </tr> </thead> <tbody> <tr> <td></td> <td>✓</td> <td></td> <td>✓</td> <td></td> <td></td> <td></td> <td></td> <td></td> <td></td> <td></td> <td>✓</td> </tr> </tbody> </table> <p>CAN-AM Side x Side</p>	MATERIAL AVAILABILITY												FA	TT	V	R	MXS	HH	EPFA	GPFAX	SFA	SFAHH	SFAC	SXR		✓		✓								✓
MATERIAL AVAILABILITY																																						
FA	TT	V	R	MXS	HH	EPFA	GPFAX	SFA	SFAHH	SFAC	SXR																											
	✓		✓								✓																											
<p>FA685 A 101.5 x 43 x 8mm B 83 x 43 x 8mm</p>		<table border="1"> <thead> <tr> <th colspan="12">MATERIAL AVAILABILITY</th> </tr> <tr> <th>FA</th> <th>TT</th> <th>V</th> <th>R</th> <th>MXS</th> <th>HH</th> <th>EPFA</th> <th>GPFAX</th> <th>SFA</th> <th>SFAHH</th> <th>SFAC</th> <th>SXR</th> </tr> </thead> <tbody> <tr> <td></td> <td>✓</td> <td></td> <td>✓</td> <td></td> <td></td> <td></td> <td></td> <td></td> <td></td> <td></td> <td>✓</td> </tr> </tbody> </table> <p>CAN-AM Side x Side</p>	MATERIAL AVAILABILITY												FA	TT	V	R	MXS	HH	EPFA	GPFAX	SFA	SFAHH	SFAC	SXR		✓		✓								✓
MATERIAL AVAILABILITY																																						
FA	TT	V	R	MXS	HH	EPFA	GPFAX	SFA	SFAHH	SFAC	SXR																											
	✓		✓								✓																											
<p>FA686 A 94 x 44.5 x 8.5mm B 73 x 46 x 10mm</p>		<table border="1"> <thead> <tr> <th colspan="12">MATERIAL AVAILABILITY</th> </tr> <tr> <th>FA</th> <th>TT</th> <th>V</th> <th>R</th> <th>MXS</th> <th>HH</th> <th>EPFA</th> <th>GPFAX</th> <th>SFA</th> <th>SFAHH</th> <th>SFAC</th> <th>SXR</th> </tr> </thead> <tbody> <tr> <td></td> <td>✓</td> <td></td> <td>✓</td> <td></td> <td></td> <td></td> <td></td> <td></td> <td></td> <td></td> <td></td> </tr> </tbody> </table> <p>KAWASAKI</p>	MATERIAL AVAILABILITY												FA	TT	V	R	MXS	HH	EPFA	GPFAX	SFA	SFAHH	SFAC	SXR		✓		✓								
MATERIAL AVAILABILITY																																						
FA	TT	V	R	MXS	HH	EPFA	GPFAX	SFA	SFAHH	SFAC	SXR																											
	✓		✓																																			
<p>CFA689 43.5 x 29 x 3.5mm</p>		<table border="1"> <thead> <tr> <th colspan="12">MATERIAL AVAILABILITY</th> </tr> <tr> <th>FA</th> <th>TT</th> <th>V</th> <th>R</th> <th>MXS</th> <th>HH</th> <th>EPFA</th> <th>GPFAX</th> <th>SFA</th> <th>SFAHH</th> <th>SFAC</th> <th>SXR</th> </tr> </thead> <tbody> <tr> <td>✓</td> <td></td> <td></td> <td></td> <td></td> <td></td> <td></td> <td></td> <td></td> <td></td> <td></td> <td></td> </tr> </tbody> </table> <p>BULTACO</p>	MATERIAL AVAILABILITY												FA	TT	V	R	MXS	HH	EPFA	GPFAX	SFA	SFAHH	SFAC	SXR	✓											
MATERIAL AVAILABILITY																																						
FA	TT	V	R	MXS	HH	EPFA	GPFAX	SFA	SFAHH	SFAC	SXR																											
✓																																						
<p>FA691 A 85 x 44.5 x 7mm B 74 x 41.5 x 7mm</p>		<table border="1"> <thead> <tr> <th colspan="12">MATERIAL AVAILABILITY</th> </tr> <tr> <th>FA</th> <th>TT</th> <th>V</th> <th>R</th> <th>MXS</th> <th>HH</th> <th>EPFA</th> <th>GPFAX</th> <th>SFA</th> <th>SFAHH</th> <th>SFAC</th> <th>SXR</th> </tr> </thead> <tbody> <tr> <td>✓</td> <td></td> <td></td> <td></td> <td></td> <td>✓</td> <td></td> <td></td> <td></td> <td></td> <td></td> <td></td> </tr> </tbody> </table> <p>HONDA, KAWASAKI</p>	MATERIAL AVAILABILITY												FA	TT	V	R	MXS	HH	EPFA	GPFAX	SFA	SFAHH	SFAC	SXR	✓					✓						
MATERIAL AVAILABILITY																																						
FA	TT	V	R	MXS	HH	EPFA	GPFAX	SFA	SFAHH	SFAC	SXR																											
✓					✓																																	

DO NOT REFIT ANY SHIMS/INSULATORS TO EBC PADS FROM ORIGINAL PADS UNLESS INSTRUCTED ON NOTE ON PAD PACKAGING AND ON FA DRAWING ASSOCIATED WITH THAT PAD.

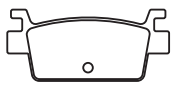
<p>SFA693 A 111 x 36 x 7.5mm B 98.5 x 33 x 7.5mm</p>		<table border="1"> <thead> <tr> <th colspan="12">MATERIAL AVAILABILITY</th> </tr> <tr> <th>FA</th> <th>TT</th> <th>V</th> <th>R</th> <th>MXS</th> <th>HH</th> <th>EPFA</th> <th>GPFAX</th> <th>SFA</th> <th>SFAHH</th> <th>SFAC</th> <th>SXR</th> </tr> </thead> <tbody> <tr> <td></td> <td></td> <td></td> <td></td> <td></td> <td></td> <td></td> <td></td> <td>✓</td> <td>✓</td> <td>✓</td> <td></td> </tr> </tbody> </table> <p>HONDA, PIAGGIO, KYMCO</p>	MATERIAL AVAILABILITY												FA	TT	V	R	MXS	HH	EPFA	GPFAX	SFA	SFAHH	SFAC	SXR									✓	✓	✓	
MATERIAL AVAILABILITY																																						
FA	TT	V	R	MXS	HH	EPFA	GPFAX	SFA	SFAHH	SFAC	SXR																											
								✓	✓	✓																												
<p>SFA694 A 98.5 x 48.5 x 7.5mm B 85 x 39.5 x 7.5mm</p>		<table border="1"> <thead> <tr> <th colspan="12">MATERIAL AVAILABILITY</th> </tr> <tr> <th>FA</th> <th>TT</th> <th>V</th> <th>R</th> <th>MXS</th> <th>HH</th> <th>EPFA</th> <th>GPFAX</th> <th>SFA</th> <th>SFAHH</th> <th>SFAC</th> <th>SXR</th> </tr> </thead> <tbody> <tr> <td></td> <td></td> <td></td> <td></td> <td></td> <td></td> <td></td> <td></td> <td>✓</td> <td>✓</td> <td>✓</td> <td></td> </tr> </tbody> </table> <p>YAMAHA</p>	MATERIAL AVAILABILITY												FA	TT	V	R	MXS	HH	EPFA	GPFAX	SFA	SFAHH	SFAC	SXR									✓	✓	✓	
MATERIAL AVAILABILITY																																						
FA	TT	V	R	MXS	HH	EPFA	GPFAX	SFA	SFAHH	SFAC	SXR																											
								✓	✓	✓																												
<p>FA696 55 x 53.5 x 9mm</p>		<table border="1"> <thead> <tr> <th colspan="12">MATERIAL AVAILABILITY</th> </tr> <tr> <th>FA</th> <th>TT</th> <th>V</th> <th>R</th> <th>MXS</th> <th>HH</th> <th>EPFA</th> <th>GPFAX</th> <th>SFA</th> <th>SFAHH</th> <th>SFAC</th> <th>SXR</th> </tr> </thead> <tbody> <tr> <td>✓</td> <td></td> <td>✓</td> <td></td> <td></td> <td>✓</td> <td></td> <td></td> <td></td> <td></td> <td></td> <td></td> </tr> </tbody> </table> <p>INDIAN</p>	MATERIAL AVAILABILITY												FA	TT	V	R	MXS	HH	EPFA	GPFAX	SFA	SFAHH	SFAC	SXR	✓		✓			✓						
MATERIAL AVAILABILITY																																						
FA	TT	V	R	MXS	HH	EPFA	GPFAX	SFA	SFAHH	SFAC	SXR																											
✓		✓			✓																																	
<p>FA697 75 x 42.5 x 9.5mm</p>		<table border="1"> <thead> <tr> <th colspan="12">MATERIAL AVAILABILITY</th> </tr> <tr> <th>FA</th> <th>TT</th> <th>V</th> <th>R</th> <th>MXS</th> <th>HH</th> <th>EPFA</th> <th>GPFAX</th> <th>SFA</th> <th>SFAHH</th> <th>SFAC</th> <th>SXR</th> </tr> </thead> <tbody> <tr> <td>✓</td> <td></td> <td></td> <td>✓</td> <td></td> <td>✓</td> <td></td> <td></td> <td></td> <td></td> <td></td> <td></td> </tr> </tbody> </table> <p>WK BIKES, SWM, VOGUE</p>	MATERIAL AVAILABILITY												FA	TT	V	R	MXS	HH	EPFA	GPFAX	SFA	SFAHH	SFAC	SXR	✓			✓		✓						
MATERIAL AVAILABILITY																																						
FA	TT	V	R	MXS	HH	EPFA	GPFAX	SFA	SFAHH	SFAC	SXR																											
✓			✓		✓																																	
<p>FA698 81.5 x 37.5 x 9mm</p>		<table border="1"> <thead> <tr> <th colspan="12">MATERIAL AVAILABILITY</th> </tr> <tr> <th>FA</th> <th>TT</th> <th>V</th> <th>R</th> <th>MXS</th> <th>HH</th> <th>EPFA</th> <th>GPFAX</th> <th>SFA</th> <th>SFAHH</th> <th>SFAC</th> <th>SXR</th> </tr> </thead> <tbody> <tr> <td>✓</td> <td></td> <td>✓</td> <td></td> <td></td> <td>✓</td> <td></td> <td></td> <td></td> <td></td> <td></td> <td></td> </tr> </tbody> </table> <p>BENELLI</p>	MATERIAL AVAILABILITY												FA	TT	V	R	MXS	HH	EPFA	GPFAX	SFA	SFAHH	SFAC	SXR	✓		✓			✓						
MATERIAL AVAILABILITY																																						
FA	TT	V	R	MXS	HH	EPFA	GPFAX	SFA	SFAHH	SFAC	SXR																											
✓		✓			✓																																	
<p>FA700 78 x 42.5 x 8mm</p>		<table border="1"> <thead> <tr> <th colspan="12">MATERIAL AVAILABILITY</th> </tr> <tr> <th>FA</th> <th>TT</th> <th>V</th> <th>R</th> <th>MXS</th> <th>HH</th> <th>EPFA</th> <th>GPFAX</th> <th>SFA</th> <th>SFAHH</th> <th>SFAC</th> <th>SXR</th> </tr> </thead> <tbody> <tr> <td></td> <td></td> <td></td> <td></td> <td></td> <td>✓</td> <td>✓</td> <td>✓</td> <td></td> <td></td> <td></td> <td></td> </tr> </tbody> </table> <p>HONDA</p>	MATERIAL AVAILABILITY												FA	TT	V	R	MXS	HH	EPFA	GPFAX	SFA	SFAHH	SFAC	SXR						✓	✓	✓				
MATERIAL AVAILABILITY																																						
FA	TT	V	R	MXS	HH	EPFA	GPFAX	SFA	SFAHH	SFAC	SXR																											
					✓	✓	✓																															
<p>FA701 115 x 41 x 11mm</p>		<table border="1"> <thead> <tr> <th colspan="12">MATERIAL AVAILABILITY</th> </tr> <tr> <th>FA</th> <th>TT</th> <th>V</th> <th>R</th> <th>MXS</th> <th>HH</th> <th>EPFA</th> <th>GPFAX</th> <th>SFA</th> <th>SFAHH</th> <th>SFAC</th> <th>SXR</th> </tr> </thead> <tbody> <tr> <td></td> <td>✓</td> <td></td> <td>✓</td> <td></td> <td></td> <td></td> <td></td> <td></td> <td></td> <td></td> <td></td> </tr> </tbody> </table> <p>HONDA</p>	MATERIAL AVAILABILITY												FA	TT	V	R	MXS	HH	EPFA	GPFAX	SFA	SFAHH	SFAC	SXR		✓		✓								
MATERIAL AVAILABILITY																																						
FA	TT	V	R	MXS	HH	EPFA	GPFAX	SFA	SFAHH	SFAC	SXR																											
	✓		✓																																			
<p>FA702 115 x 41 x 11mm</p>		<table border="1"> <thead> <tr> <th colspan="12">MATERIAL AVAILABILITY</th> </tr> <tr> <th>FA</th> <th>TT</th> <th>V</th> <th>R</th> <th>MXS</th> <th>HH</th> <th>EPFA</th> <th>GPFAX</th> <th>SFA</th> <th>SFAHH</th> <th>SFAC</th> <th>SXR</th> </tr> </thead> <tbody> <tr> <td></td> <td>✓</td> <td></td> <td>✓</td> <td></td> <td></td> <td></td> <td></td> <td></td> <td></td> <td></td> <td></td> </tr> </tbody> </table> <p>HONDA</p>	MATERIAL AVAILABILITY												FA	TT	V	R	MXS	HH	EPFA	GPFAX	SFA	SFAHH	SFAC	SXR		✓		✓								
MATERIAL AVAILABILITY																																						
FA	TT	V	R	MXS	HH	EPFA	GPFAX	SFA	SFAHH	SFAC	SXR																											
	✓		✓																																			
<p>FA703 82 x 38.5 x 10.5mm</p>		<table border="1"> <thead> <tr> <th colspan="12">MATERIAL AVAILABILITY</th> </tr> <tr> <th>FA</th> <th>TT</th> <th>V</th> <th>R</th> <th>MXS</th> <th>HH</th> <th>EPFA</th> <th>GPFAX</th> <th>SFA</th> <th>SFAHH</th> <th>SFAC</th> <th>SXR</th> </tr> </thead> <tbody> <tr> <td></td> <td>✓</td> <td></td> <td>✓</td> <td></td> <td></td> <td></td> <td></td> <td></td> <td></td> <td></td> <td></td> </tr> </tbody> </table> <p>HONDA</p>	MATERIAL AVAILABILITY												FA	TT	V	R	MXS	HH	EPFA	GPFAX	SFA	SFAHH	SFAC	SXR		✓		✓								
MATERIAL AVAILABILITY																																						
FA	TT	V	R	MXS	HH	EPFA	GPFAX	SFA	SFAHH	SFAC	SXR																											
	✓		✓																																			
<p>FA704 82 x 38.5 x 10.5mm</p>		<table border="1"> <thead> <tr> <th colspan="12">MATERIAL AVAILABILITY</th> </tr> <tr> <th>FA</th> <th>TT</th> <th>V</th> <th>R</th> <th>MXS</th> <th>HH</th> <th>EPFA</th> <th>GPFAX</th> <th>SFA</th> <th>SFAHH</th> <th>SFAC</th> <th>SXR</th> </tr> </thead> <tbody> <tr> <td>✓</td> <td></td> <td></td> <td>✓</td> <td></td> <td></td> <td></td> <td></td> <td></td> <td></td> <td></td> <td></td> </tr> </tbody> </table> <p>HONDA</p>	MATERIAL AVAILABILITY												FA	TT	V	R	MXS	HH	EPFA	GPFAX	SFA	SFAHH	SFAC	SXR	✓			✓								
MATERIAL AVAILABILITY																																						
FA	TT	V	R	MXS	HH	EPFA	GPFAX	SFA	SFAHH	SFAC	SXR																											
✓			✓																																			
<p>SFA705 A 113.5 x 55 x 8.5mm B 98.5 x 44.5 x 8.5mm</p>		<table border="1"> <thead> <tr> <th colspan="12">MATERIAL AVAILABILITY</th> </tr> <tr> <th>FA</th> <th>TT</th> <th>V</th> <th>R</th> <th>MXS</th> <th>HH</th> <th>EPFA</th> <th>GPFAX</th> <th>SFA</th> <th>SFAHH</th> <th>SFAC</th> <th>SXR</th> </tr> </thead> <tbody> <tr> <td></td> <td></td> <td></td> <td></td> <td></td> <td></td> <td></td> <td></td> <td>✓</td> <td>✓</td> <td>✓</td> <td></td> </tr> </tbody> </table> <p>YAMAHA</p>	MATERIAL AVAILABILITY												FA	TT	V	R	MXS	HH	EPFA	GPFAX	SFA	SFAHH	SFAC	SXR									✓	✓	✓	
MATERIAL AVAILABILITY																																						
FA	TT	V	R	MXS	HH	EPFA	GPFAX	SFA	SFAHH	SFAC	SXR																											
								✓	✓	✓																												

DO NOT REFIT ANY SHIMS/INSULATORS TO EBC PADS FROM ORIGINAL PADS UNLESS INSTRUCTED ON NOTE ON PAD PACKAGING AND ON FA DRAWING ASSOCIATED WITH THAT PAD.

<p>SFA706 A 113.5 x 52 x 10.5mm B 97.5 x 39.5 x 10.5mm</p>		<table border="1"> <thead> <tr> <th colspan="12">MATERIAL AVAILABILITY</th> </tr> <tr> <th>FA</th><th>TT</th><th>V</th><th>R</th><th>MXS</th><th>HH</th><th>EPFA</th><th>GPFAX</th><th>SFA</th><th>SFAHH</th><th>SFAC</th><th>SXR</th> </tr> </thead> <tbody> <tr> <td></td><td></td><td></td><td></td><td></td><td></td><td></td><td></td><td>✓</td><td>✓</td><td>✓</td><td></td> </tr> </tbody> </table> <p>YAMAHA</p>	MATERIAL AVAILABILITY												FA	TT	V	R	MXS	HH	EPFA	GPFAX	SFA	SFAHH	SFAC	SXR									✓	✓	✓	
MATERIAL AVAILABILITY																																						
FA	TT	V	R	MXS	HH	EPFA	GPFAX	SFA	SFAHH	SFAC	SXR																											
								✓	✓	✓																												
<p>FA707 A 124 x 43 x 9mm B 115.5 x 43 x 9mm</p>		<table border="1"> <thead> <tr> <th colspan="12">MATERIAL AVAILABILITY</th> </tr> <tr> <th>FA</th><th>TT</th><th>V</th><th>R</th><th>MXS</th><th>HH</th><th>EPFA</th><th>GPFAX</th><th>SFA</th><th>SFAHH</th><th>SFAC</th><th>SXR</th> </tr> </thead> <tbody> <tr> <td>✓</td><td></td><td>✓</td><td></td><td></td><td></td><td></td><td></td><td>✓</td><td></td><td></td><td></td> </tr> </tbody> </table> <p>FA707 - GENERIC/KSR, KEEWAY, BENELLI SFA707 - GENERIC/KSR</p>	MATERIAL AVAILABILITY												FA	TT	V	R	MXS	HH	EPFA	GPFAX	SFA	SFAHH	SFAC	SXR	✓		✓						✓			
MATERIAL AVAILABILITY																																						
FA	TT	V	R	MXS	HH	EPFA	GPFAX	SFA	SFAHH	SFAC	SXR																											
✓		✓						✓																														
<p>SFA708 A 84.5 x 40.5 x 7mm B 74 x 41.5 x 7mm</p>		<table border="1"> <thead> <tr> <th colspan="12">MATERIAL AVAILABILITY</th> </tr> <tr> <th>FA</th><th>TT</th><th>V</th><th>R</th><th>MXS</th><th>HH</th><th>EPFA</th><th>GPFAX</th><th>SFA</th><th>SFAHH</th><th>SFAC</th><th>SXR</th> </tr> </thead> <tbody> <tr> <td></td><td></td><td></td><td></td><td></td><td></td><td></td><td></td><td>✓</td><td></td><td>✓</td><td></td> </tr> </tbody> </table> <p>HONDA, LIFAN</p>	MATERIAL AVAILABILITY												FA	TT	V	R	MXS	HH	EPFA	GPFAX	SFA	SFAHH	SFAC	SXR									✓		✓	
MATERIAL AVAILABILITY																																						
FA	TT	V	R	MXS	HH	EPFA	GPFAX	SFA	SFAHH	SFAC	SXR																											
								✓		✓																												
<p>SFA709 A 111.5 x 43 x 8mm B 109.5 x 43 x 8mm</p>		<table border="1"> <thead> <tr> <th colspan="12">MATERIAL AVAILABILITY</th> </tr> <tr> <th>FA</th><th>TT</th><th>V</th><th>R</th><th>MXS</th><th>HH</th><th>EPFA</th><th>GPFAX</th><th>SFA</th><th>SFAHH</th><th>SFAC</th><th>SXR</th> </tr> </thead> <tbody> <tr> <td></td><td></td><td></td><td></td><td></td><td></td><td></td><td></td><td>✓</td><td>✓</td><td>✓</td><td></td> </tr> </tbody> </table> <p>DAYTONA, SILENCE Electric Scooters, SUPER SOGO</p>	MATERIAL AVAILABILITY												FA	TT	V	R	MXS	HH	EPFA	GPFAX	SFA	SFAHH	SFAC	SXR									✓	✓	✓	
MATERIAL AVAILABILITY																																						
FA	TT	V	R	MXS	HH	EPFA	GPFAX	SFA	SFAHH	SFAC	SXR																											
								✓	✓	✓																												
<p>FA710 82 x 42 x 10mm</p>		<table border="1"> <thead> <tr> <th colspan="12">MATERIAL AVAILABILITY</th> </tr> <tr> <th>FA</th><th>TT</th><th>V</th><th>R</th><th>MXS</th><th>HH</th><th>EPFA</th><th>GPFAX</th><th>SFA</th><th>SFAHH</th><th>SFAC</th><th>SXR</th> </tr> </thead> <tbody> <tr> <td>✓</td><td></td><td>✓</td><td></td><td></td><td>✓</td><td>✓</td><td></td><td></td><td></td><td></td><td></td> </tr> </tbody> </table> <p>HARLEY DAVIDSON</p>	MATERIAL AVAILABILITY												FA	TT	V	R	MXS	HH	EPFA	GPFAX	SFA	SFAHH	SFAC	SXR	✓		✓			✓	✓					
MATERIAL AVAILABILITY																																						
FA	TT	V	R	MXS	HH	EPFA	GPFAX	SFA	SFAHH	SFAC	SXR																											
✓		✓			✓	✓																																
<p>FA711 A 124 x 43 x 9mm B 115.5 x 43 x 9mm</p>		<table border="1"> <thead> <tr> <th colspan="12">MATERIAL AVAILABILITY</th> </tr> <tr> <th>FA</th><th>TT</th><th>V</th><th>R</th><th>MXS</th><th>HH</th><th>EPFA</th><th>GPFAX</th><th>SFA</th><th>SFAHH</th><th>SFAC</th><th>SXR</th> </tr> </thead> <tbody> <tr> <td>✓</td><td></td><td>✓</td><td></td><td></td><td></td><td></td><td></td><td></td><td></td><td></td><td></td> </tr> </tbody> </table> <p>BENELLI, LEXMOTO</p>	MATERIAL AVAILABILITY												FA	TT	V	R	MXS	HH	EPFA	GPFAX	SFA	SFAHH	SFAC	SXR	✓		✓									
MATERIAL AVAILABILITY																																						
FA	TT	V	R	MXS	HH	EPFA	GPFAX	SFA	SFAHH	SFAC	SXR																											
✓		✓																																				
<p>FA712 103.5 x 43 x 14.5mm</p>		<table border="1"> <thead> <tr> <th colspan="12">MATERIAL AVAILABILITY</th> </tr> <tr> <th>FA</th><th>TT</th><th>V</th><th>R</th><th>MXS</th><th>HH</th><th>EPFA</th><th>GPFAX</th><th>SFA</th><th>SFAHH</th><th>SFAC</th><th>SXR</th> </tr> </thead> <tbody> <tr> <td></td><td>✓</td><td></td><td>✓</td><td></td><td></td><td></td><td></td><td></td><td></td><td></td><td></td> </tr> </tbody> </table> <p>HONDA</p>	MATERIAL AVAILABILITY												FA	TT	V	R	MXS	HH	EPFA	GPFAX	SFA	SFAHH	SFAC	SXR		✓		✓								
MATERIAL AVAILABILITY																																						
FA	TT	V	R	MXS	HH	EPFA	GPFAX	SFA	SFAHH	SFAC	SXR																											
	✓		✓																																			
<p>FA714 75.5 x 39.5 x 12mm</p>		<table border="1"> <thead> <tr> <th colspan="12">MATERIAL AVAILABILITY</th> </tr> <tr> <th>FA</th><th>TT</th><th>V</th><th>R</th><th>MXS</th><th>HH</th><th>EPFA</th><th>GPFAX</th><th>SFA</th><th>SFAHH</th><th>SFAC</th><th>SXR</th> </tr> </thead> <tbody> <tr> <td></td><td>✓</td><td></td><td>✓</td><td></td><td></td><td></td><td></td><td></td><td></td><td></td><td></td> </tr> </tbody> </table> <p>HONDA</p>	MATERIAL AVAILABILITY												FA	TT	V	R	MXS	HH	EPFA	GPFAX	SFA	SFAHH	SFAC	SXR		✓		✓								
MATERIAL AVAILABILITY																																						
FA	TT	V	R	MXS	HH	EPFA	GPFAX	SFA	SFAHH	SFAC	SXR																											
	✓		✓																																			
<p>FA715 A 109.5 x 40 x 7.5mm B 94 x 36.5 x 7.5 mm</p>		<table border="1"> <thead> <tr> <th colspan="12">MATERIAL AVAILABILITY</th> </tr> <tr> <th>FA</th><th>TT</th><th>V</th><th>R</th><th>MXS</th><th>HH</th><th>EPFA</th><th>GPFAX</th><th>SFA</th><th>SFAHH</th><th>SFAC</th><th>SXR</th> </tr> </thead> <tbody> <tr> <td>✓</td><td></td><td>✓</td><td></td><td></td><td>✓</td><td></td><td></td><td></td><td></td><td></td><td></td> </tr> </tbody> </table> <p>HONDA, SUZUKI</p>	MATERIAL AVAILABILITY												FA	TT	V	R	MXS	HH	EPFA	GPFAX	SFA	SFAHH	SFAC	SXR	✓		✓			✓						
MATERIAL AVAILABILITY																																						
FA	TT	V	R	MXS	HH	EPFA	GPFAX	SFA	SFAHH	SFAC	SXR																											
✓		✓			✓																																	
<p>FA716 A 101.5 x 43.5 x 7.5mm B 90.5 x 43.5 x 7.5mm</p>		<table border="1"> <thead> <tr> <th colspan="12">MATERIAL AVAILABILITY</th> </tr> <tr> <th>FA</th><th>TT</th><th>V</th><th>R</th><th>MXS</th><th>HH</th><th>EPFA</th><th>GPFAX</th><th>SFA</th><th>SFAHH</th><th>SFAC</th><th>SXR</th> </tr> </thead> <tbody> <tr> <td>✓</td><td></td><td></td><td></td><td></td><td></td><td></td><td></td><td></td><td></td><td></td><td></td> </tr> </tbody> </table> <p>HONDA</p>	MATERIAL AVAILABILITY												FA	TT	V	R	MXS	HH	EPFA	GPFAX	SFA	SFAHH	SFAC	SXR	✓											
MATERIAL AVAILABILITY																																						
FA	TT	V	R	MXS	HH	EPFA	GPFAX	SFA	SFAHH	SFAC	SXR																											
✓																																						
<p>FA717 129.5 x 40 x 9mm</p>		<table border="1"> <thead> <tr> <th colspan="12">MATERIAL AVAILABILITY</th> </tr> <tr> <th>FA</th><th>TT</th><th>V</th><th>R</th><th>MXS</th><th>HH</th><th>EPFA</th><th>GPFAX</th><th>SFA</th><th>SFAHH</th><th>SFAC</th><th>SXR</th> </tr> </thead> <tbody> <tr> <td>✓</td><td></td><td>✓</td><td></td><td></td><td>✓</td><td></td><td></td><td></td><td></td><td></td><td></td> </tr> </tbody> </table> <p>HONDA</p>	MATERIAL AVAILABILITY												FA	TT	V	R	MXS	HH	EPFA	GPFAX	SFA	SFAHH	SFAC	SXR	✓		✓			✓						
MATERIAL AVAILABILITY																																						
FA	TT	V	R	MXS	HH	EPFA	GPFAX	SFA	SFAHH	SFAC	SXR																											
✓		✓			✓																																	

DO NOT REFIT ANY SHIMS/INSULATORS TO EBC PADS FROM ORIGINAL PADS UNLESS INSTRUCTED ON NOTE ON PAD PACKAGING AND ON FA DRAWING ASSOCIATED WITH THAT PAD.

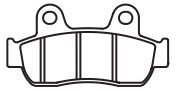
SFA719
85.5 x 38 x 9mm



MATERIAL AVAILABILITY											
FA	TT	V	R	MXS	HH	EPFA	GPFAX	SFA	SFAHH	SFAC	SXR
								✓	✓	✓	

KYMCO

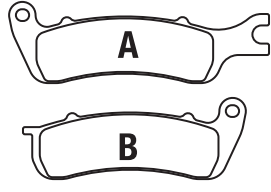
SFA721
85 x 43 x 9.5mm



MATERIAL AVAILABILITY											
FA	TT	V	R	MXS	HH	EPFA	GPFAX	SFA	SFAHH	SFAC	SXR
								✓			

HONDA

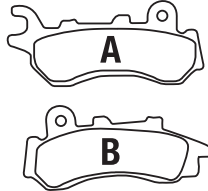
FA722
A 137.5 x 43 x 9mm
B 118 x 43 x 9mm



MATERIAL AVAILABILITY											
FA	TT	V	R	MXS	HH	EPFA	GPFAX	SFA	SFAHH	SFAC	SXR
✓	✓										

AJS, LEXMOTO

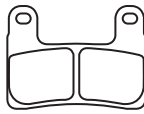
SFA723
A 101.5 x 43.5 x 7.5mm
B 98.5 x 43.5 x 7.5mm



MATERIAL AVAILABILITY											
FA	TT	V	R	MXS	HH	EPFA	GPFAX	SFA	SFAHH	SFAC	SXR
								✓		✓	

HONDA


FA724
73 x 54.5 x 8.5mm



MATERIAL AVAILABILITY											
FA	TT	V	R	MXS	HH	EPFA	GPFAX	SFA	SFAHH	SFAC	SXR
					✓		✓				

BMW

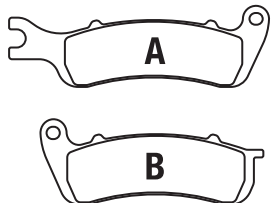
FA726
101.5 x 36.5 x 11mm



MATERIAL AVAILABILITY											
FA	TT	V	R	MXS	HH	EPFA	GPFAX	SFA	SFAHH	SFAC	SXR
✓	✓		✓								

CF MOTO


FA727
A 137.5 x 44 x 9mm
B 118 x 44 x 9mm



MATERIAL AVAILABILITY											
FA	TT	V	R	MXS	HH	EPFA	GPFAX	SFA	SFAHH	SFAC	SXR
✓								✓			

ZONTES


FA728
163.5 x 50 x 9.5mm



MATERIAL AVAILABILITY											
FA	TT	V	R	MXS	HH	EPFA	GPFAX	SFA	SFAHH	SFAC	SXR
	✓		✓								✓

POLARIS

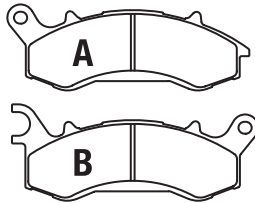
FA730
49.5 x 36 x 8mm



MATERIAL AVAILABILITY											
FA	TT	V	R	MXS	HH	EPFA	GPFAX	SFA	SFAHH	SFAC	SXR
					✓	✓	✓				

BREMBO

FA731
A 128 x 45.5 x 9mm
B 130 x 51 x 9mm



MATERIAL AVAILABILITY											
FA	TT	V	R	MXS	HH	EPFA	GPFAX	SFA	SFAHH	SFAC	SXR
	✓		✓								

LEXMOTO, SINNIS, MUTT








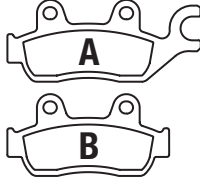

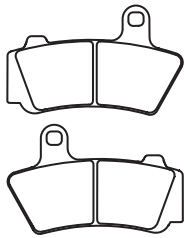
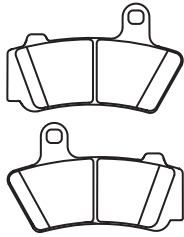
SFA732
A 109.5 x 40 x 7.5mm
B 94.5 x 37 x 7.5mm


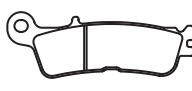
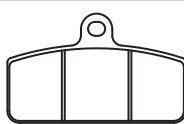


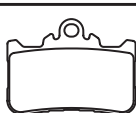

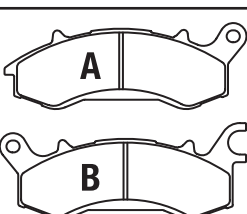





MATERIAL AVAILABILITY											
FA	TT	V	R	MXS	HH	EPFA	GPFAX	SFA	SFAHH	SFAC	SXR
								✓			

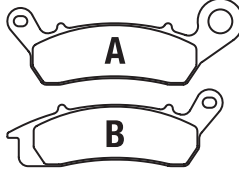


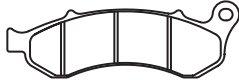
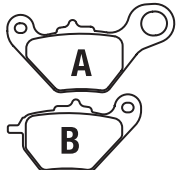

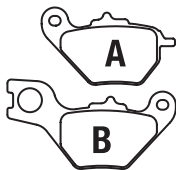


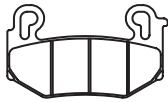
APRILIA, PIAGGIO

DO NOT REFIT ANY SHIMS/INSULATORS TO EBC PADS FROM ORIGINAL PADS UNLESS INSTRUCTED ON NOTE ON PAD PACKAGING AND ON FA DRAWING ASSOCIATED WITH THAT PAD.

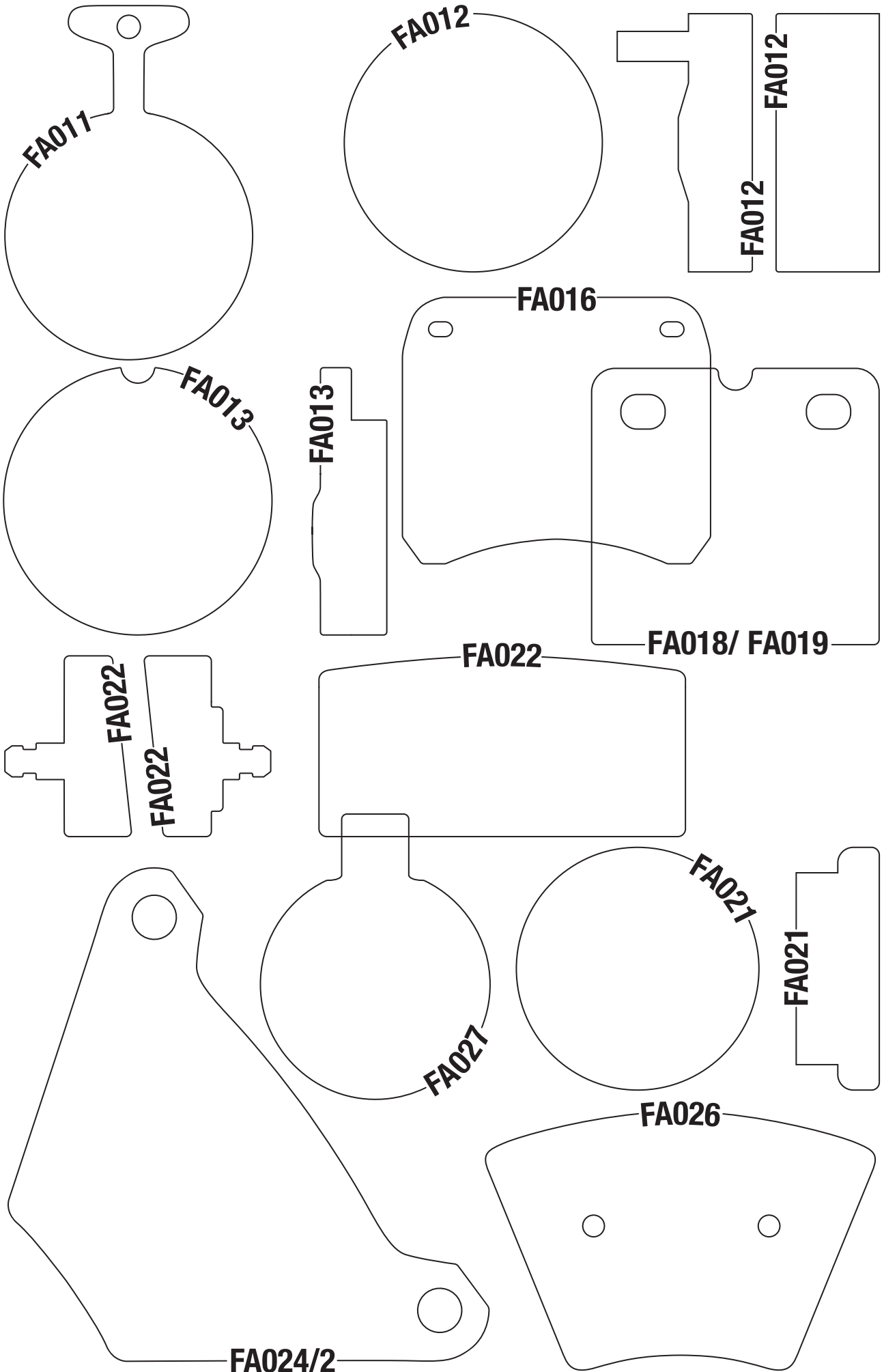
<p>FA737 106.5 x 41 x 8mm</p>		<table border="1"> <thead> <tr> <th colspan="12">MATERIAL AVAILABILITY</th> </tr> <tr> <th>FA</th> <th>TT</th> <th>V</th> <th>R</th> <th>MXS</th> <th>HH</th> <th>EPFA</th> <th>GPFAX</th> <th>SFA</th> <th>SFAHH</th> <th>SFAC</th> <th>SXR</th> </tr> </thead> <tbody> <tr> <td></td> <td>✓</td> <td></td> <td>✓</td> <td></td> <td></td> <td></td> <td></td> <td></td> <td></td> <td></td> <td></td> </tr> </tbody> </table> <p>WILWOOD, ARCTIC CAT</p>	MATERIAL AVAILABILITY												FA	TT	V	R	MXS	HH	EPFA	GPFAX	SFA	SFAHH	SFAC	SXR		✓		✓								
MATERIAL AVAILABILITY																																						
FA	TT	V	R	MXS	HH	EPFA	GPFAX	SFA	SFAHH	SFAC	SXR																											
	✓		✓																																			
<p>FA738 114 x 39 x 9mm</p>		<table border="1"> <thead> <tr> <th colspan="12">MATERIAL AVAILABILITY</th> </tr> <tr> <th>FA</th> <th>TT</th> <th>V</th> <th>R</th> <th>MXS</th> <th>HH</th> <th>EPFA</th> <th>GPFAX</th> <th>SFA</th> <th>SFAHH</th> <th>SFAC</th> <th>SXR</th> </tr> </thead> <tbody> <tr> <td></td> <td></td> <td></td> <td>✓</td> <td></td> <td></td> <td></td> <td></td> <td></td> <td></td> <td></td> <td>✓</td> </tr> </tbody> </table> <p>KAWASAKI</p>	MATERIAL AVAILABILITY												FA	TT	V	R	MXS	HH	EPFA	GPFAX	SFA	SFAHH	SFAC	SXR				✓								✓
MATERIAL AVAILABILITY																																						
FA	TT	V	R	MXS	HH	EPFA	GPFAX	SFA	SFAHH	SFAC	SXR																											
			✓								✓																											
<p>FA739 85.5 x 38 x 9mm</p>		<table border="1"> <thead> <tr> <th colspan="12">MATERIAL AVAILABILITY</th> </tr> <tr> <th>FA</th> <th>TT</th> <th>V</th> <th>R</th> <th>MXS</th> <th>HH</th> <th>EPFA</th> <th>GPFAX</th> <th>SFA</th> <th>SFAHH</th> <th>SFAC</th> <th>SXR</th> </tr> </thead> <tbody> <tr> <td></td> <td></td> <td></td> <td>✓</td> <td></td> <td></td> <td></td> <td></td> <td></td> <td></td> <td></td> <td>✓</td> </tr> </tbody> </table> <p>KAWASAKI</p>	MATERIAL AVAILABILITY												FA	TT	V	R	MXS	HH	EPFA	GPFAX	SFA	SFAHH	SFAC	SXR				✓								✓
MATERIAL AVAILABILITY																																						
FA	TT	V	R	MXS	HH	EPFA	GPFAX	SFA	SFAHH	SFAC	SXR																											
			✓								✓																											
<p>FA740 122 x 54.5 x 8mm</p>		<table border="1"> <thead> <tr> <th colspan="12">MATERIAL AVAILABILITY</th> </tr> <tr> <th>FA</th> <th>TT</th> <th>V</th> <th>R</th> <th>MXS</th> <th>HH</th> <th>EPFA</th> <th>GPFAX</th> <th>SFA</th> <th>SFAHH</th> <th>SFAC</th> <th>SXR</th> </tr> </thead> <tbody> <tr> <td></td> <td>✓</td> <td></td> <td>✓</td> <td></td> <td></td> <td></td> <td></td> <td></td> <td></td> <td></td> <td>✓</td> </tr> </tbody> </table> <p>ARCTIC CAT</p>	MATERIAL AVAILABILITY												FA	TT	V	R	MXS	HH	EPFA	GPFAX	SFA	SFAHH	SFAC	SXR		✓		✓								✓
MATERIAL AVAILABILITY																																						
FA	TT	V	R	MXS	HH	EPFA	GPFAX	SFA	SFAHH	SFAC	SXR																											
	✓		✓								✓																											
<p>FA741 122 x 51.5 x 8mm</p>		<table border="1"> <thead> <tr> <th colspan="12">MATERIAL AVAILABILITY</th> </tr> <tr> <th>FA</th> <th>TT</th> <th>V</th> <th>R</th> <th>MXS</th> <th>HH</th> <th>EPFA</th> <th>GPFAX</th> <th>SFA</th> <th>SFAHH</th> <th>SFAC</th> <th>SXR</th> </tr> </thead> <tbody> <tr> <td></td> <td>✓</td> <td></td> <td>✓</td> <td></td> <td></td> <td></td> <td></td> <td></td> <td></td> <td></td> <td>✓</td> </tr> </tbody> </table> <p>ARCTIC CAT</p>	MATERIAL AVAILABILITY												FA	TT	V	R	MXS	HH	EPFA	GPFAX	SFA	SFAHH	SFAC	SXR		✓		✓								✓
MATERIAL AVAILABILITY																																						
FA	TT	V	R	MXS	HH	EPFA	GPFAX	SFA	SFAHH	SFAC	SXR																											
	✓		✓								✓																											
<p>FA742 122 x 48 x 8mm</p>		<table border="1"> <thead> <tr> <th colspan="12">MATERIAL AVAILABILITY</th> </tr> <tr> <th>FA</th> <th>TT</th> <th>V</th> <th>R</th> <th>MXS</th> <th>HH</th> <th>EPFA</th> <th>GPFAX</th> <th>SFA</th> <th>SFAHH</th> <th>SFAC</th> <th>SXR</th> </tr> </thead> <tbody> <tr> <td></td> <td>✓</td> <td></td> <td>✓</td> <td></td> <td></td> <td></td> <td></td> <td></td> <td></td> <td></td> <td>✓</td> </tr> </tbody> </table> <p>ARCTIC CAT</p>	MATERIAL AVAILABILITY												FA	TT	V	R	MXS	HH	EPFA	GPFAX	SFA	SFAHH	SFAC	SXR		✓		✓								✓
MATERIAL AVAILABILITY																																						
FA	TT	V	R	MXS	HH	EPFA	GPFAX	SFA	SFAHH	SFAC	SXR																											
	✓		✓								✓																											
<p>FA743 50 O/D x 9mm</p>		<table border="1"> <thead> <tr> <th colspan="12">MATERIAL AVAILABILITY</th> </tr> <tr> <th>FA</th> <th>TT</th> <th>V</th> <th>R</th> <th>MXS</th> <th>HH</th> <th>EPFA</th> <th>GPFAX</th> <th>SFA</th> <th>SFAHH</th> <th>SFAC</th> <th>SXR</th> </tr> </thead> <tbody> <tr> <td></td> <td></td> <td></td> <td></td> <td></td> <td></td> <td></td> <td>✓</td> <td></td> <td></td> <td></td> <td></td> </tr> </tbody> </table> <p>YAMAHA</p>	MATERIAL AVAILABILITY												FA	TT	V	R	MXS	HH	EPFA	GPFAX	SFA	SFAHH	SFAC	SXR								✓				
MATERIAL AVAILABILITY																																						
FA	TT	V	R	MXS	HH	EPFA	GPFAX	SFA	SFAHH	SFAC	SXR																											
							✓																															
<p>FA744 A 101.5 x 43 x 9.5mm B 85 x 43 x 9.5mm</p>		<table border="1"> <thead> <tr> <th colspan="12">MATERIAL AVAILABILITY</th> </tr> <tr> <th>FA</th> <th>TT</th> <th>V</th> <th>R</th> <th>MXS</th> <th>HH</th> <th>EPFA</th> <th>GPFAX</th> <th>SFA</th> <th>SFAHH</th> <th>SFAC</th> <th>SXR</th> </tr> </thead> <tbody> <tr> <td>✓</td> <td></td> <td>✓</td> <td></td> <td></td> <td></td> <td></td> <td></td> <td></td> <td></td> <td></td> <td></td> </tr> </tbody> </table> <p>HONDA</p>	MATERIAL AVAILABILITY												FA	TT	V	R	MXS	HH	EPFA	GPFAX	SFA	SFAHH	SFAC	SXR	✓		✓									
MATERIAL AVAILABILITY																																						
FA	TT	V	R	MXS	HH	EPFA	GPFAX	SFA	SFAHH	SFAC	SXR																											
✓		✓																																				
<p>FA747 88.5 x 37 x 11mm</p>		<table border="1"> <thead> <tr> <th colspan="12">MATERIAL AVAILABILITY</th> </tr> <tr> <th>FA</th> <th>TT</th> <th>V</th> <th>R</th> <th>MXS</th> <th>HH</th> <th>EPFA</th> <th>GPFAX</th> <th>SFA</th> <th>SFAHH</th> <th>SFAC</th> <th>SXR</th> </tr> </thead> <tbody> <tr> <td></td> <td></td> <td></td> <td>✓</td> <td></td> <td></td> <td></td> <td></td> <td></td> <td></td> <td></td> <td></td> </tr> </tbody> </table> <p>CF MOTO</p>	MATERIAL AVAILABILITY												FA	TT	V	R	MXS	HH	EPFA	GPFAX	SFA	SFAHH	SFAC	SXR				✓								
MATERIAL AVAILABILITY																																						
FA	TT	V	R	MXS	HH	EPFA	GPFAX	SFA	SFAHH	SFAC	SXR																											
			✓																																			
<p>FA748 90.5 x 54.5 x 8mm</p>		<table border="1"> <thead> <tr> <th colspan="12">MATERIAL AVAILABILITY</th> </tr> <tr> <th>FA</th> <th>TT</th> <th>V</th> <th>R</th> <th>MXS</th> <th>HH</th> <th>EPFA</th> <th>GPFAX</th> <th>SFA</th> <th>SFAHH</th> <th>SFAC</th> <th>SXR</th> </tr> </thead> <tbody> <tr> <td></td> <td></td> <td></td> <td></td> <td></td> <td>✓</td> <td></td> <td></td> <td></td> <td></td> <td></td> <td></td> </tr> </tbody> </table> <p>BMW</p>	MATERIAL AVAILABILITY												FA	TT	V	R	MXS	HH	EPFA	GPFAX	SFA	SFAHH	SFAC	SXR						✓						
MATERIAL AVAILABILITY																																						
FA	TT	V	R	MXS	HH	EPFA	GPFAX	SFA	SFAHH	SFAC	SXR																											
					✓																																	
<p>FA749 90.5 x 54.5 x 8mm</p>		<table border="1"> <thead> <tr> <th colspan="12">MATERIAL AVAILABILITY</th> </tr> <tr> <th>FA</th> <th>TT</th> <th>V</th> <th>R</th> <th>MXS</th> <th>HH</th> <th>EPFA</th> <th>GPFAX</th> <th>SFA</th> <th>SFAHH</th> <th>SFAC</th> <th>SXR</th> </tr> </thead> <tbody> <tr> <td></td> <td></td> <td></td> <td></td> <td></td> <td>✓</td> <td></td> <td></td> <td></td> <td></td> <td></td> <td></td> </tr> </tbody> </table> <p>BMW</p>	MATERIAL AVAILABILITY												FA	TT	V	R	MXS	HH	EPFA	GPFAX	SFA	SFAHH	SFAC	SXR						✓						
MATERIAL AVAILABILITY																																						
FA	TT	V	R	MXS	HH	EPFA	GPFAX	SFA	SFAHH	SFAC	SXR																											
					✓																																	

SFA754 88.5 x 42 x 9.5mm		<table border="1"> <thead> <tr> <th colspan="12">MATERIAL AVAILABILITY</th> </tr> <tr> <th>FA</th><th>TT</th><th>V</th><th>R</th><th>MXS</th><th>HH</th><th>EPFA</th><th>GPFAX</th><th>SFA</th><th>SFAHH</th><th>SFAC</th><th>SXR</th> </tr> </thead> <tbody> <tr> <td></td><td></td><td></td><td></td><td></td><td></td><td></td><td></td><td>✓</td><td></td><td></td><td></td> </tr> </tbody> </table> HERALD, LEXMOTO, ZONTES	MATERIAL AVAILABILITY												FA	TT	V	R	MXS	HH	EPFA	GPFAX	SFA	SFAHH	SFAC	SXR									✓			
MATERIAL AVAILABILITY																																						
FA	TT	V	R	MXS	HH	EPFA	GPFAX	SFA	SFAHH	SFAC	SXR																											
								✓																														
FA755 94 x 33.5 x 7.5mm		<table border="1"> <thead> <tr> <th colspan="12">MATERIAL AVAILABILITY</th> </tr> <tr> <th>FA</th><th>TT</th><th>V</th><th>R</th><th>MXS</th><th>HH</th><th>EPFA</th><th>GPFAX</th><th>SFA</th><th>SFAHH</th><th>SFAC</th><th>SXR</th> </tr> </thead> <tbody> <tr> <td></td><td>✓</td><td></td><td>✓</td><td>✓</td><td></td><td></td><td></td><td></td><td></td><td></td><td></td> </tr> </tbody> </table> FANTIC, YAMAHA	MATERIAL AVAILABILITY												FA	TT	V	R	MXS	HH	EPFA	GPFAX	SFA	SFAHH	SFAC	SXR		✓		✓	✓							
MATERIAL AVAILABILITY																																						
FA	TT	V	R	MXS	HH	EPFA	GPFAX	SFA	SFAHH	SFAC	SXR																											
	✓		✓	✓																																		
FA756R 91 x 55.5 x 9.5		<table border="1"> <thead> <tr> <th colspan="12">MATERIAL AVAILABILITY</th> </tr> <tr> <th>FA</th><th>TT</th><th>V</th><th>R</th><th>MXS</th><th>HH</th><th>EPFA</th><th>GPFAX</th><th>SFA</th><th>SFAHH</th><th>SFAC</th><th>SXR</th> </tr> </thead> <tbody> <tr> <td></td><td></td><td></td><td>✓</td><td></td><td></td><td></td><td></td><td></td><td></td><td></td><td>✓</td> </tr> </tbody> </table> J Juan big brake kit for CAN AM	MATERIAL AVAILABILITY												FA	TT	V	R	MXS	HH	EPFA	GPFAX	SFA	SFAHH	SFAC	SXR				✓								✓
MATERIAL AVAILABILITY																																						
FA	TT	V	R	MXS	HH	EPFA	GPFAX	SFA	SFAHH	SFAC	SXR																											
			✓								✓																											
FA757 80.5 x 43 x 8mm		<table border="1"> <thead> <tr> <th colspan="12">MATERIAL AVAILABILITY</th> </tr> <tr> <th>FA</th><th>TT</th><th>V</th><th>R</th><th>MXS</th><th>HH</th><th>EPFA</th><th>GPFAX</th><th>SFA</th><th>SFAHH</th><th>SFAC</th><th>SXR</th> </tr> </thead> <tbody> <tr> <td></td><td></td><td></td><td></td><td></td><td>✓</td><td>✓</td><td>✓</td><td></td><td></td><td></td><td></td> </tr> </tbody> </table> BMW, HONDA	MATERIAL AVAILABILITY												FA	TT	V	R	MXS	HH	EPFA	GPFAX	SFA	SFAHH	SFAC	SXR						✓	✓	✓				
MATERIAL AVAILABILITY																																						
FA	TT	V	R	MXS	HH	EPFA	GPFAX	SFA	SFAHH	SFAC	SXR																											
					✓	✓	✓																															
SFA758 77 x 42 x 7mm		<table border="1"> <thead> <tr> <th colspan="12">MATERIAL AVAILABILITY</th> </tr> <tr> <th>FA</th><th>TT</th><th>V</th><th>R</th><th>MXS</th><th>HH</th><th>EPFA</th><th>GPFAX</th><th>SFA</th><th>SFAHH</th><th>SFAC</th><th>SXR</th> </tr> </thead> <tbody> <tr> <td></td><td></td><td></td><td></td><td></td><td></td><td></td><td></td><td></td><td></td><td>✓</td><td></td> </tr> </tbody> </table> SUPER SOCO DELIVERY SCOOTER	MATERIAL AVAILABILITY												FA	TT	V	R	MXS	HH	EPFA	GPFAX	SFA	SFAHH	SFAC	SXR											✓	
MATERIAL AVAILABILITY																																						
FA	TT	V	R	MXS	HH	EPFA	GPFAX	SFA	SFAHH	SFAC	SXR																											
										✓																												
FA759 68 x 50 x 7mm		<table border="1"> <thead> <tr> <th colspan="12">MATERIAL AVAILABILITY</th> </tr> <tr> <th>FA</th><th>TT</th><th>V</th><th>R</th><th>MXS</th><th>HH</th><th>EPFA</th><th>GPFAX</th><th>SFA</th><th>SFAHH</th><th>SFAC</th><th>SXR</th> </tr> </thead> <tbody> <tr> <td></td><td></td><td></td><td></td><td></td><td>✓</td><td></td><td></td><td></td><td></td><td></td><td></td> </tr> </tbody> </table> HONDA	MATERIAL AVAILABILITY												FA	TT	V	R	MXS	HH	EPFA	GPFAX	SFA	SFAHH	SFAC	SXR						✓						
MATERIAL AVAILABILITY																																						
FA	TT	V	R	MXS	HH	EPFA	GPFAX	SFA	SFAHH	SFAC	SXR																											
					✓																																	
FA760 83 x 49 x 8mm		<table border="1"> <thead> <tr> <th colspan="12">MATERIAL AVAILABILITY</th> </tr> <tr> <th>FA</th><th>TT</th><th>V</th><th>R</th><th>MXS</th><th>HH</th><th>EPFA</th><th>GPFAX</th><th>SFA</th><th>SFAHH</th><th>SFAC</th><th>SXR</th> </tr> </thead> <tbody> <tr> <td>✓</td><td></td><td>✓</td><td></td><td></td><td>✓</td><td></td><td></td><td></td><td></td><td></td><td></td> </tr> </tbody> </table> HARLEY DAVIDSON	MATERIAL AVAILABILITY												FA	TT	V	R	MXS	HH	EPFA	GPFAX	SFA	SFAHH	SFAC	SXR	✓		✓			✓						
MATERIAL AVAILABILITY																																						
FA	TT	V	R	MXS	HH	EPFA	GPFAX	SFA	SFAHH	SFAC	SXR																											
✓		✓			✓																																	
FA761 A 128 x 45.5 x 9mm B 130 x 51.5 x 9mm		<table border="1"> <thead> <tr> <th colspan="12">MATERIAL AVAILABILITY</th> </tr> <tr> <th>FA</th><th>TT</th><th>V</th><th>R</th><th>MXS</th><th>HH</th><th>EPFA</th><th>GPFAX</th><th>SFA</th><th>SFAHH</th><th>SFAC</th><th>SXR</th> </tr> </thead> <tbody> <tr> <td>✓</td><td></td><td></td><td></td><td></td><td></td><td></td><td></td><td></td><td></td><td></td><td></td> </tr> </tbody> </table> DAYTONA, LEXMOTO, SINNIS, MUTT, SWM	MATERIAL AVAILABILITY												FA	TT	V	R	MXS	HH	EPFA	GPFAX	SFA	SFAHH	SFAC	SXR	✓											
MATERIAL AVAILABILITY																																						
FA	TT	V	R	MXS	HH	EPFA	GPFAX	SFA	SFAHH	SFAC	SXR																											
✓																																						
SFA762 93 x 41 x 10mm		<table border="1"> <thead> <tr> <th colspan="12">MATERIAL AVAILABILITY</th> </tr> <tr> <th>FA</th><th>TT</th><th>V</th><th>R</th><th>MXS</th><th>HH</th><th>EPFA</th><th>GPFAX</th><th>SFA</th><th>SFAHH</th><th>SFAC</th><th>SXR</th> </tr> </thead> <tbody> <tr> <td></td><td></td><td></td><td></td><td></td><td></td><td></td><td></td><td>✓</td><td></td><td></td><td></td> </tr> </tbody> </table> SYM	MATERIAL AVAILABILITY												FA	TT	V	R	MXS	HH	EPFA	GPFAX	SFA	SFAHH	SFAC	SXR									✓			
MATERIAL AVAILABILITY																																						
FA	TT	V	R	MXS	HH	EPFA	GPFAX	SFA	SFAHH	SFAC	SXR																											
								✓																														
FA763 111.5 x 38.5 x 9mm		<table border="1"> <thead> <tr> <th colspan="12">MATERIAL AVAILABILITY</th> </tr> <tr> <th>FA</th><th>TT</th><th>V</th><th>R</th><th>MXS</th><th>HH</th><th>EPFA</th><th>GPFAX</th><th>SFA</th><th>SFAHH</th><th>SFAC</th><th>SXR</th> </tr> </thead> <tbody> <tr> <td></td><td>✓</td><td></td><td>✓</td><td></td><td></td><td></td><td></td><td></td><td></td><td></td><td></td> </tr> </tbody> </table> SEGWAY	MATERIAL AVAILABILITY												FA	TT	V	R	MXS	HH	EPFA	GPFAX	SFA	SFAHH	SFAC	SXR		✓		✓								
MATERIAL AVAILABILITY																																						
FA	TT	V	R	MXS	HH	EPFA	GPFAX	SFA	SFAHH	SFAC	SXR																											
	✓		✓																																			
FA764 88.5 x 36.5 x 9mm		<table border="1"> <thead> <tr> <th colspan="12">MATERIAL AVAILABILITY</th> </tr> <tr> <th>FA</th><th>TT</th><th>V</th><th>R</th><th>MXS</th><th>HH</th><th>EPFA</th><th>GPFAX</th><th>SFA</th><th>SFAHH</th><th>SFAC</th><th>SXR</th> </tr> </thead> <tbody> <tr> <td></td><td>✓</td><td></td><td>✓</td><td></td><td></td><td></td><td></td><td></td><td></td><td></td><td></td> </tr> </tbody> </table> SEGWAY	MATERIAL AVAILABILITY												FA	TT	V	R	MXS	HH	EPFA	GPFAX	SFA	SFAHH	SFAC	SXR		✓		✓								
MATERIAL AVAILABILITY																																						
FA	TT	V	R	MXS	HH	EPFA	GPFAX	SFA	SFAHH	SFAC	SXR																											
	✓		✓																																			

DO NOT REFIT ANY SHIMS/INSULATORS TO EBC PADS FROM ORIGINAL PADS UNLESS INSTRUCTED ON NOTE ON PAD PACKAGING AND ON FA DRAWING ASSOCIATED WITH THAT PAD.

<p>SFA767 A 124.7 x 45.5 x 8mm B 114 x 40.5 x 8mm</p>		<table border="1"> <thead> <tr> <th colspan="12">MATERIAL AVAILABILITY</th> </tr> <tr> <th>FA</th> <th>TT</th> <th>V</th> <th>R</th> <th>MXS</th> <th>HH</th> <th>EPFA</th> <th>GPFAX</th> <th>SFA</th> <th>SFAHH</th> <th>SFAC</th> <th>SXR</th> </tr> </thead> <tbody> <tr> <td></td> <td></td> <td></td> <td></td> <td></td> <td></td> <td></td> <td></td> <td>✓</td> <td></td> <td></td> <td></td> </tr> </tbody> </table> <p>NIU CARGO SCOOTER</p>	MATERIAL AVAILABILITY												FA	TT	V	R	MXS	HH	EPFA	GPFAX	SFA	SFAHH	SFAC	SXR									✓			
MATERIAL AVAILABILITY																																						
FA	TT	V	R	MXS	HH	EPFA	GPFAX	SFA	SFAHH	SFAC	SXR																											
								✓																														
<p>FA768R 155.5 x 44 x 9mm</p>		<table border="1"> <thead> <tr> <th colspan="12">MATERIAL AVAILABILITY</th> </tr> <tr> <th>FA</th> <th>TT</th> <th>V</th> <th>R</th> <th>MXS</th> <th>HH</th> <th>EPFA</th> <th>GPFAX</th> <th>SFA</th> <th>SFAHH</th> <th>SFAC</th> <th>SXR</th> </tr> </thead> <tbody> <tr> <td></td> <td></td> <td></td> <td>✓</td> <td></td> <td></td> <td></td> <td></td> <td></td> <td></td> <td></td> <td>✓</td> </tr> </tbody> </table> <p>CAN AM</p>	MATERIAL AVAILABILITY												FA	TT	V	R	MXS	HH	EPFA	GPFAX	SFA	SFAHH	SFAC	SXR				✓								✓
MATERIAL AVAILABILITY																																						
FA	TT	V	R	MXS	HH	EPFA	GPFAX	SFA	SFAHH	SFAC	SXR																											
			✓								✓																											
<p>FA769R 135.5 x 37.5 x 9mm</p>		<table border="1"> <thead> <tr> <th colspan="12">MATERIAL AVAILABILITY</th> </tr> <tr> <th>FA</th> <th>TT</th> <th>V</th> <th>R</th> <th>MXS</th> <th>HH</th> <th>EPFA</th> <th>GPFAX</th> <th>SFA</th> <th>SFAHH</th> <th>SFAC</th> <th>SXR</th> </tr> </thead> <tbody> <tr> <td></td> <td></td> <td></td> <td>✓</td> <td></td> <td></td> <td></td> <td></td> <td></td> <td></td> <td></td> <td>✓</td> </tr> </tbody> </table> <p>CAN AM</p>	MATERIAL AVAILABILITY												FA	TT	V	R	MXS	HH	EPFA	GPFAX	SFA	SFAHH	SFAC	SXR				✓								✓
MATERIAL AVAILABILITY																																						
FA	TT	V	R	MXS	HH	EPFA	GPFAX	SFA	SFAHH	SFAC	SXR																											
			✓								✓																											
<p>FA772 122.5 x 40 x 8.5mm</p>		<table border="1"> <thead> <tr> <th colspan="12">MATERIAL AVAILABILITY</th> </tr> <tr> <th>FA</th> <th>TT</th> <th>V</th> <th>R</th> <th>MXS</th> <th>HH</th> <th>EPFA</th> <th>GPFAX</th> <th>SFA</th> <th>SFAHH</th> <th>SFAC</th> <th>SXR</th> </tr> </thead> <tbody> <tr> <td>✓</td> <td></td> <td></td> <td></td> <td></td> <td></td> <td></td> <td></td> <td></td> <td></td> <td></td> <td></td> </tr> </tbody> </table> <p>LEXMOTO</p>	MATERIAL AVAILABILITY												FA	TT	V	R	MXS	HH	EPFA	GPFAX	SFA	SFAHH	SFAC	SXR	✓											
MATERIAL AVAILABILITY																																						
FA	TT	V	R	MXS	HH	EPFA	GPFAX	SFA	SFAHH	SFAC	SXR																											
✓																																						
<p>SFA773 A 88.3 x 47 x 7mm B 70.5 x 41 x 7mm</p>		<table border="1"> <thead> <tr> <th colspan="12">MATERIAL AVAILABILITY</th> </tr> <tr> <th>FA</th> <th>TT</th> <th>V</th> <th>R</th> <th>MXS</th> <th>HH</th> <th>EPFA</th> <th>GPFAX</th> <th>SFA</th> <th>SFAHH</th> <th>SFAC</th> <th>SXR</th> </tr> </thead> <tbody> <tr> <td></td> <td></td> <td></td> <td></td> <td></td> <td></td> <td></td> <td></td> <td>✓</td> <td></td> <td></td> <td></td> </tr> </tbody> </table> <p>LEXMOTO</p>	MATERIAL AVAILABILITY												FA	TT	V	R	MXS	HH	EPFA	GPFAX	SFA	SFAHH	SFAC	SXR									✓			
MATERIAL AVAILABILITY																																						
FA	TT	V	R	MXS	HH	EPFA	GPFAX	SFA	SFAHH	SFAC	SXR																											
								✓																														
<p>FA774 81 x 34 x 7mm</p>		<table border="1"> <thead> <tr> <th colspan="12">MATERIAL AVAILABILITY</th> </tr> <tr> <th>FA</th> <th>TT</th> <th>V</th> <th>R</th> <th>MXS</th> <th>HH</th> <th>EPFA</th> <th>GPFAX</th> <th>SFA</th> <th>SFAHH</th> <th>SFAC</th> <th>SXR</th> </tr> </thead> <tbody> <tr> <td>✓</td> <td></td> <td></td> <td></td> <td></td> <td></td> <td></td> <td></td> <td></td> <td></td> <td></td> <td></td> </tr> </tbody> </table> <p>CF MOTO, LEXMOTO</p>	MATERIAL AVAILABILITY												FA	TT	V	R	MXS	HH	EPFA	GPFAX	SFA	SFAHH	SFAC	SXR	✓											
MATERIAL AVAILABILITY																																						
FA	TT	V	R	MXS	HH	EPFA	GPFAX	SFA	SFAHH	SFAC	SXR																											
✓																																						
<p>SFA776 A 70.5 x 41 x 7 B 89 x 47.5 x 7mm</p>		<table border="1"> <thead> <tr> <th colspan="12">MATERIAL AVAILABILITY</th> </tr> <tr> <th>FA</th> <th>TT</th> <th>V</th> <th>R</th> <th>MXS</th> <th>HH</th> <th>EPFA</th> <th>GPFAX</th> <th>SFA</th> <th>SFAHH</th> <th>SFAC</th> <th>SXR</th> </tr> </thead> <tbody> <tr> <td></td> <td></td> <td></td> <td></td> <td></td> <td></td> <td></td> <td></td> <td>✓</td> <td></td> <td></td> <td></td> </tr> </tbody> </table> <p>SUPER SOCO</p>	MATERIAL AVAILABILITY												FA	TT	V	R	MXS	HH	EPFA	GPFAX	SFA	SFAHH	SFAC	SXR									✓			
MATERIAL AVAILABILITY																																						
FA	TT	V	R	MXS	HH	EPFA	GPFAX	SFA	SFAHH	SFAC	SXR																											
								✓																														
<p>FA777 108.5 x 41 x 9mm</p>		<table border="1"> <thead> <tr> <th colspan="12">MATERIAL AVAILABILITY</th> </tr> <tr> <th>FA</th> <th>TT</th> <th>V</th> <th>R</th> <th>MXS</th> <th>HH</th> <th>EPFA</th> <th>GPFAX</th> <th>SFA</th> <th>SFAHH</th> <th>SFAC</th> <th>SXR</th> </tr> </thead> <tbody> <tr> <td>✓</td> <td></td> <td></td> <td></td> <td></td> <td>✓</td> <td></td> <td></td> <td></td> <td></td> <td></td> <td></td> </tr> </tbody> </table> <p>BENELLI</p>	MATERIAL AVAILABILITY												FA	TT	V	R	MXS	HH	EPFA	GPFAX	SFA	SFAHH	SFAC	SXR	✓					✓						
MATERIAL AVAILABILITY																																						
FA	TT	V	R	MXS	HH	EPFA	GPFAX	SFA	SFAHH	SFAC	SXR																											
✓					✓																																	
<p>FA778 78.5 x 47 x 8mm</p>		<table border="1"> <thead> <tr> <th colspan="12">MATERIAL AVAILABILITY</th> </tr> <tr> <th>FA</th> <th>TT</th> <th>V</th> <th>R</th> <th>MXS</th> <th>HH</th> <th>EPFA</th> <th>GPFAX</th> <th>SFA</th> <th>SFAHH</th> <th>SFAC</th> <th>SXR</th> </tr> </thead> <tbody> <tr> <td>✓</td> <td></td> <td></td> <td></td> <td></td> <td>✓</td> <td></td> <td></td> <td></td> <td></td> <td></td> <td></td> </tr> </tbody> </table> <p>MOTO GUZZI</p>	MATERIAL AVAILABILITY												FA	TT	V	R	MXS	HH	EPFA	GPFAX	SFA	SFAHH	SFAC	SXR	✓					✓						
MATERIAL AVAILABILITY																																						
FA	TT	V	R	MXS	HH	EPFA	GPFAX	SFA	SFAHH	SFAC	SXR																											
✓					✓																																	
<p>FA779HH 85 x 49 x 8mm</p>		<table border="1"> <thead> <tr> <th colspan="12">MATERIAL AVAILABILITY</th> </tr> <tr> <th>FA</th> <th>TT</th> <th>V</th> <th>R</th> <th>MXS</th> <th>HH</th> <th>EPFA</th> <th>GPFAX</th> <th>SFA</th> <th>SFAHH</th> <th>SFAC</th> <th>SXR</th> </tr> </thead> <tbody> <tr> <td></td> <td></td> <td></td> <td></td> <td></td> <td>✓</td> <td></td> <td></td> <td></td> <td></td> <td></td> <td></td> </tr> </tbody> </table> <p>BMW</p>	MATERIAL AVAILABILITY												FA	TT	V	R	MXS	HH	EPFA	GPFAX	SFA	SFAHH	SFAC	SXR						✓						
MATERIAL AVAILABILITY																																						
FA	TT	V	R	MXS	HH	EPFA	GPFAX	SFA	SFAHH	SFAC	SXR																											
					✓																																	

EBC FULL SIZE BRAKE PAD ILLUSTRATION – FA011-FA027



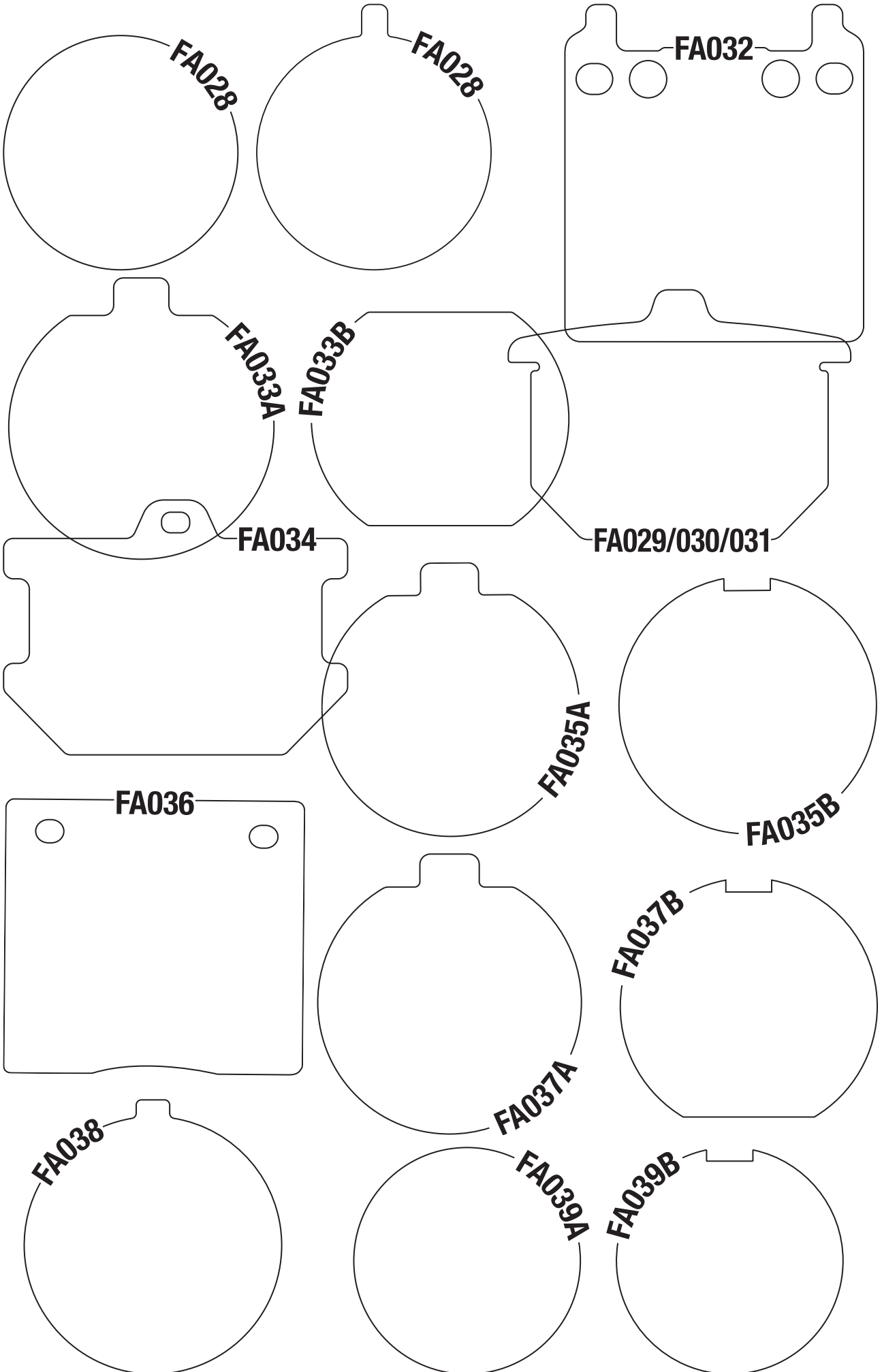
**BRAKE PAD
BUYERS GUIDE**

DO NOT REFIT ANY SHIMS/INSULATORS TO EBC PADS FROM ORIGINAL PADS UNLESS INSTRUCTED ON NOTE ON PAD PACKAGING AND ON FA DRAWING ASSOCIATED WITH THAT PAD.

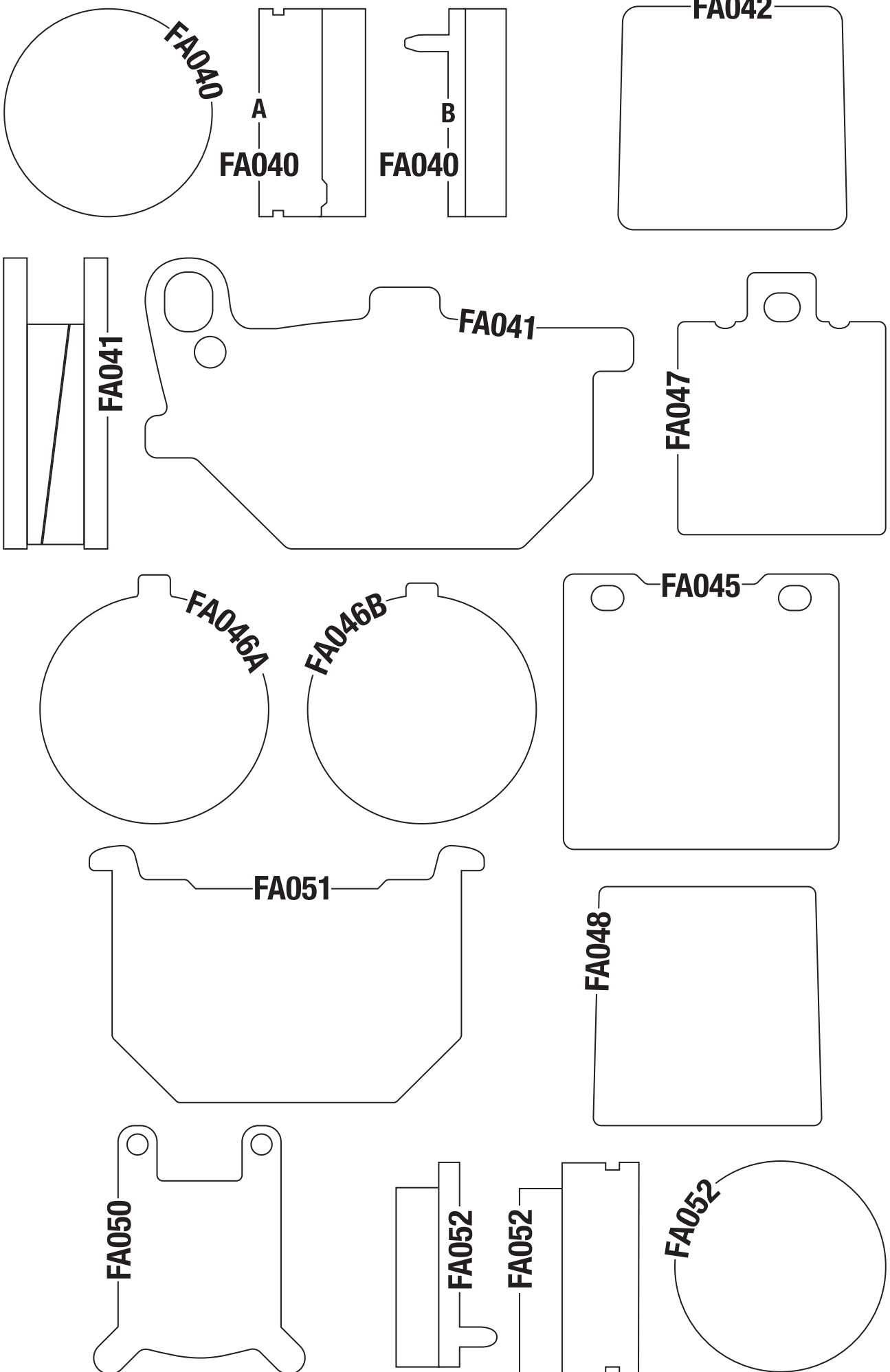
EBC FULL SIZE BRAKE PAD ILLUSTRATION – FA028-FA039

BRAKE PAD
BUYERS GUIDE

DO NOT REFIT ANY SHIMS/INSULATORS TO EBC PADS FROM ORIGINAL PADS UNLESS INSTRUCTED ON NOTE ON PAD PACKAGING AND ON FA DRAWING ASSOCIATED WITH THAT PAD.



EBC FULL SIZE BRAKE PAD ILLUSTRATION – FA040-FA052



**BRAKE PAD
BUYERS GUIDE**

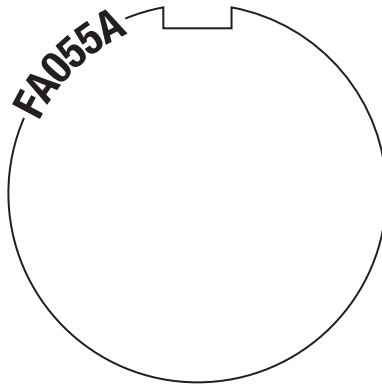
DO NOT REFIT ANY SHIMS/INSULATORS TO EBC PADS FROM ORIGINAL PADS UNLESS INSTRUCTED ON NOTE ON PAD PACKAGING AND ON FA DRAWING ASSOCIATED WITH THAT PAD.

EBC FULL SIZE BRAKE PAD ILLUSTRATION – FA054-FA065

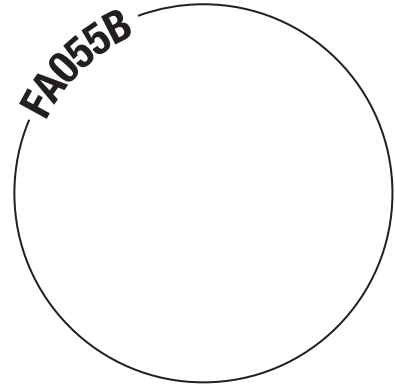
DO NOT REFIT ANY SHIMS/INSULATORS TO EBC PADS FROM ORIGINAL PADS UNLESS INSTRUCTED ON NOTE ON PAD PACKAGING AND ON FA DRAWING ASSOCIATED WITH THAT PAD.



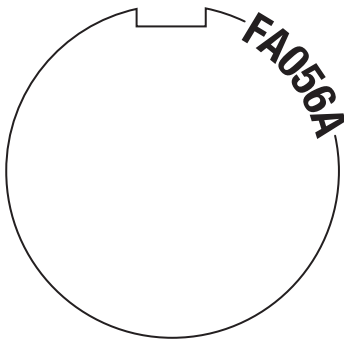
FA054



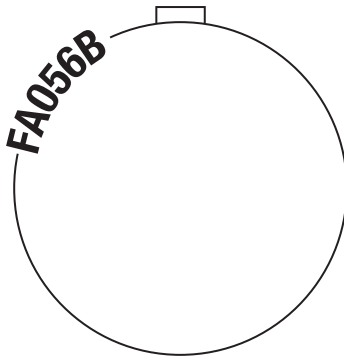
FA055A



FA055B



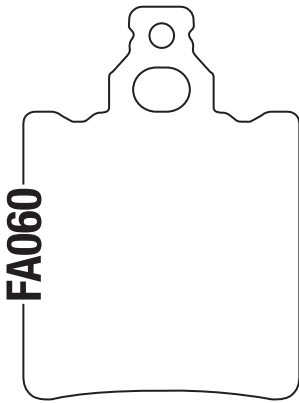
FA056A



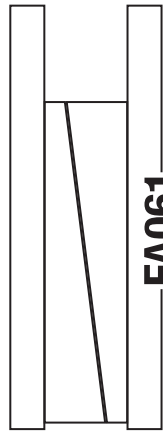
FA056B



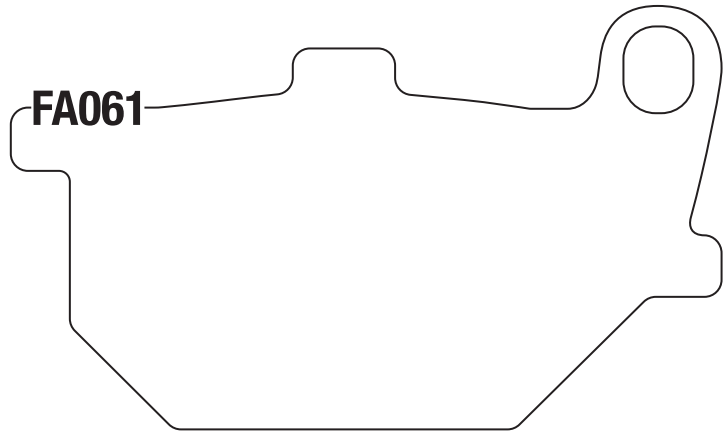
FA057



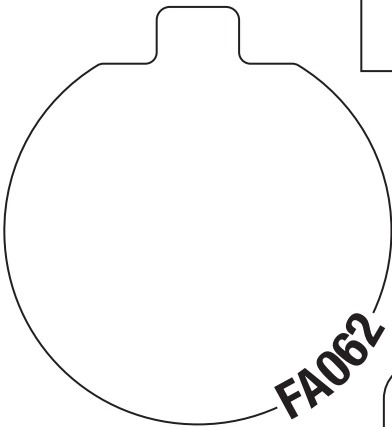
FA060



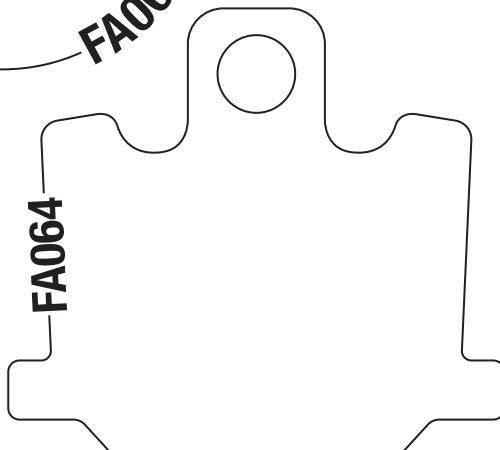
FA061



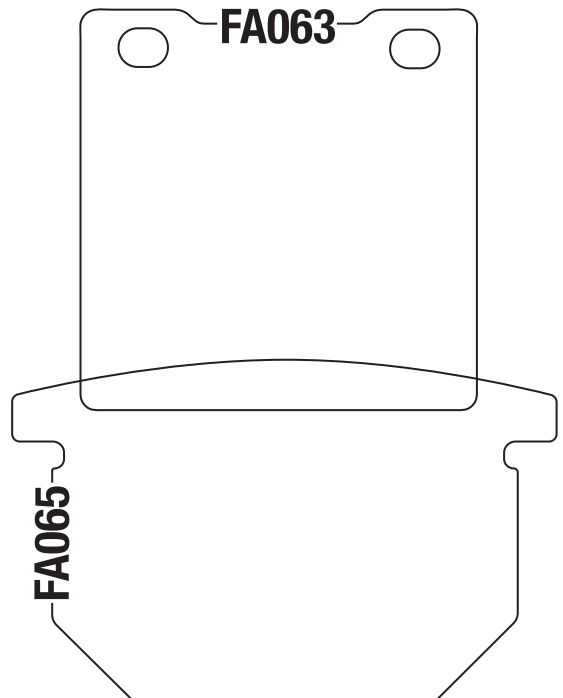
FA061



FA062



FA064

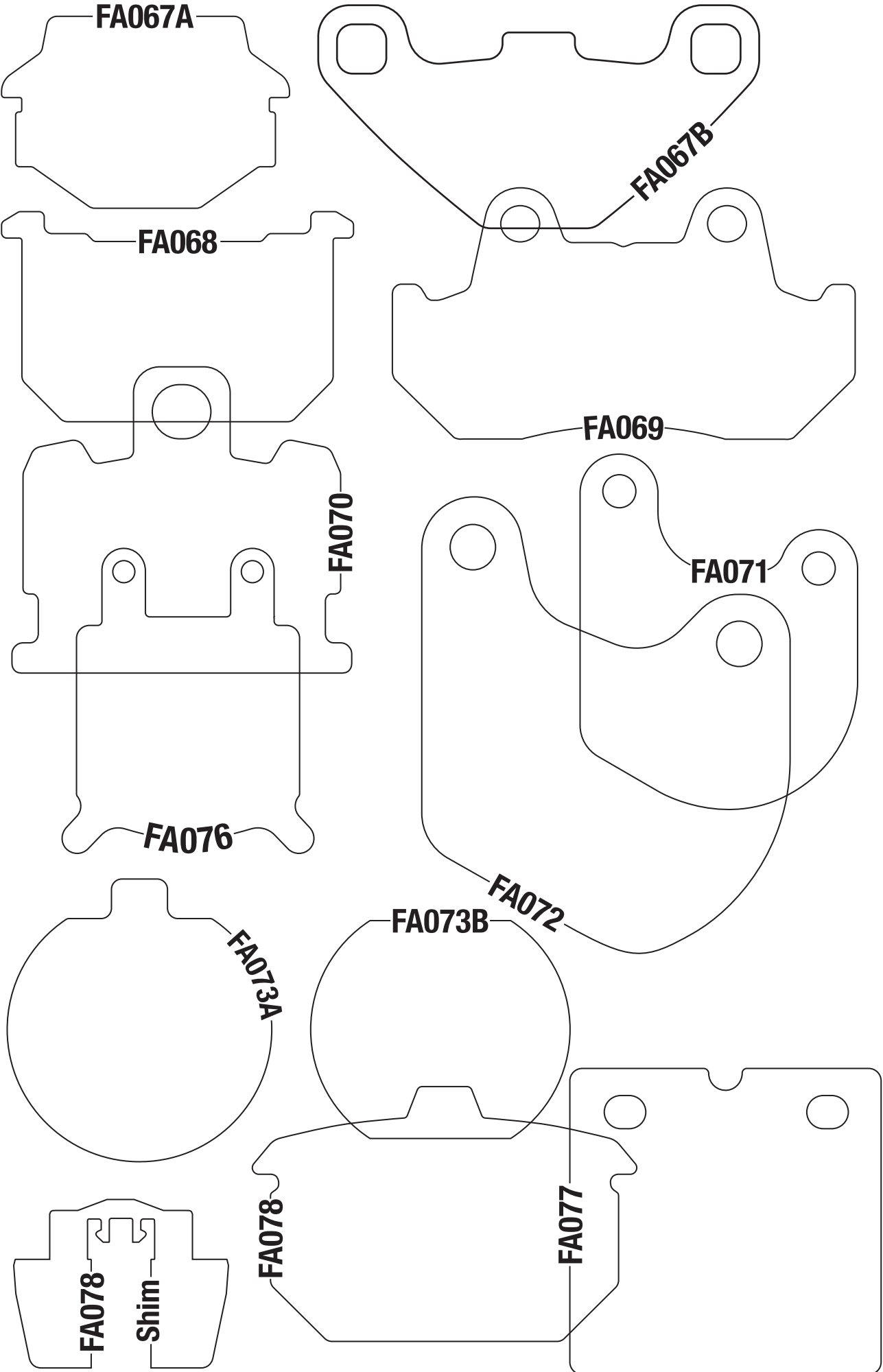


FA063

FA065

EBC FULL SIZE BRAKE PAD ILLUSTRATION – FA067-FA078

**BRAKE PAD
BUYERS GUIDE**

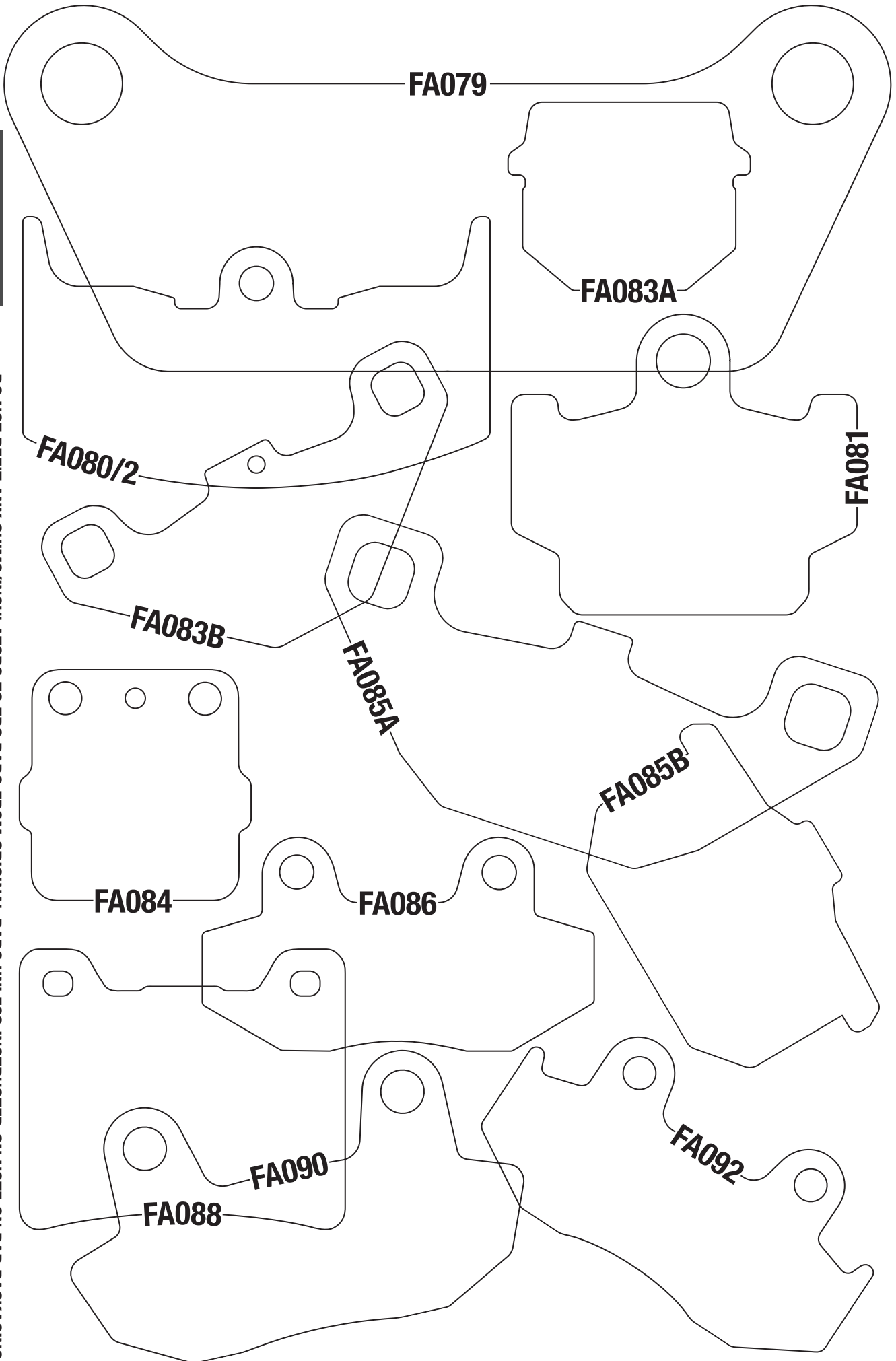


DO NOT REFIT ANY SHIMS/INSULATORS TO EBC PADS FROM ORIGINAL PADS UNLESS INSTRUCTED ON NOTE ON PAD PACKAGING AND ON FA DRAWING ASSOCIATED WITH THAT PAD.

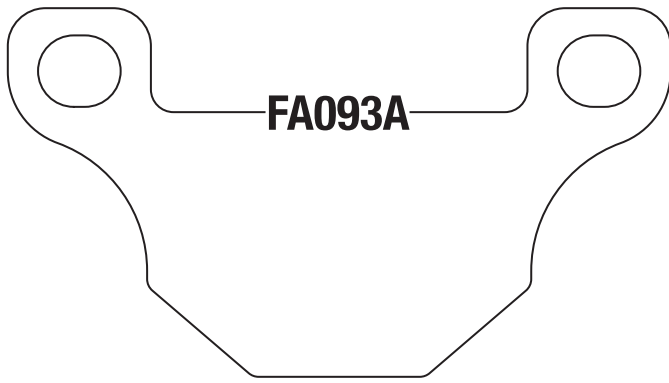
EBC FULL SIZE BRAKE PAD ILLUSTRATION – FA079-FA092

BRAKE PAD
BUYERS GUIDE

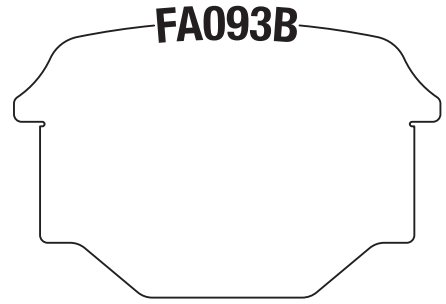
DO NOT REFIT ANY SHIMS/INSULATORS TO EBC PADS FROM ORIGINAL PADS UNLESS INSTRUCTED ON NOTE ON PAD PACKAGING AND ON FA DRAWING ASSOCIATED WITH THAT PAD.



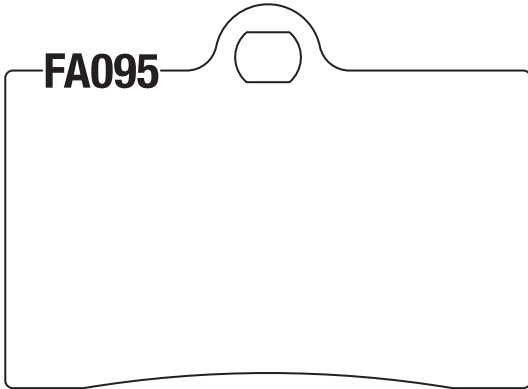
EBC FULL SIZE BRAKE PAD ILLUSTRATION – FA093-FA105



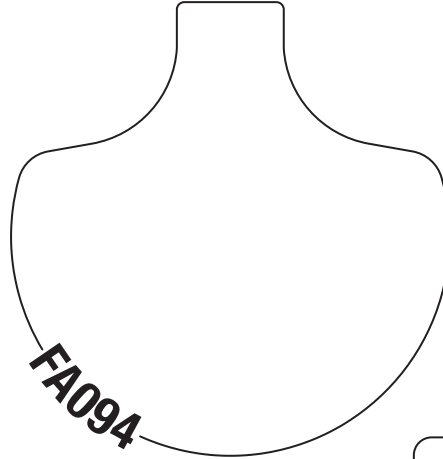
FA093A



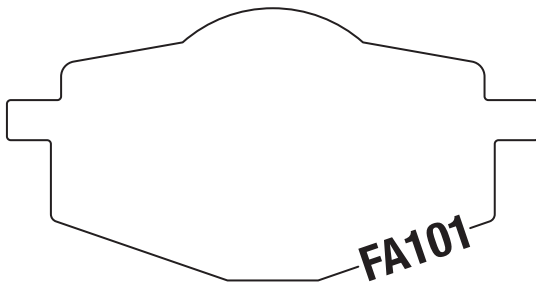
FA093B



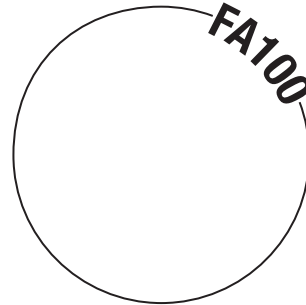
FA095



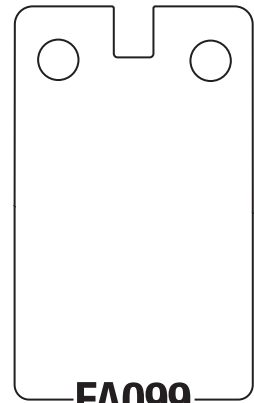
FA094



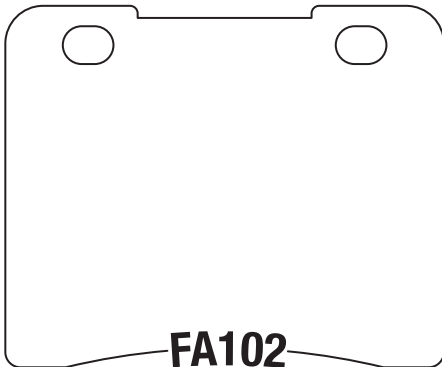
FA101



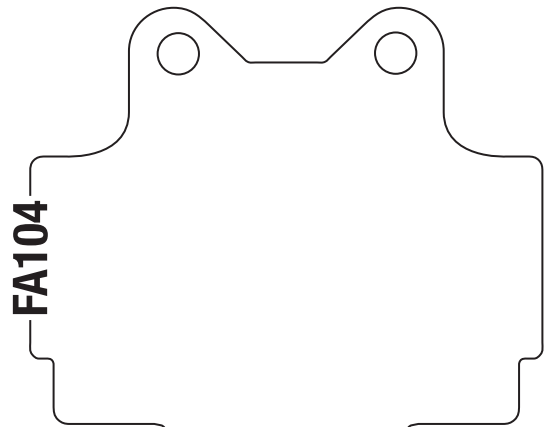
FA100



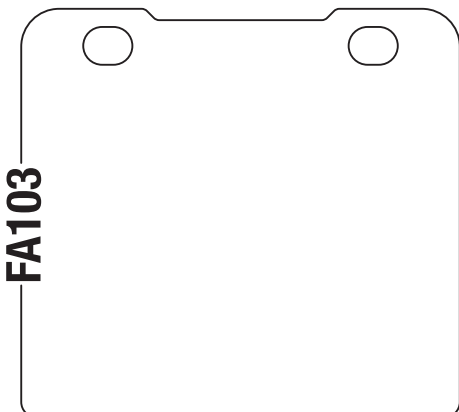
FA099



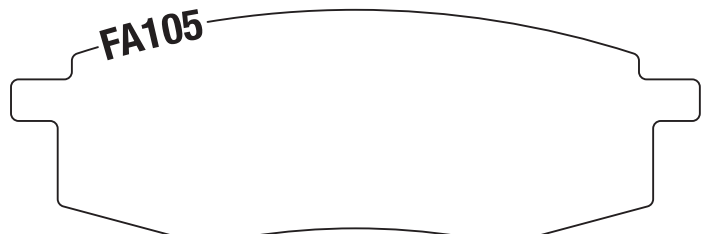
FA102



FA104



FA103



FA105

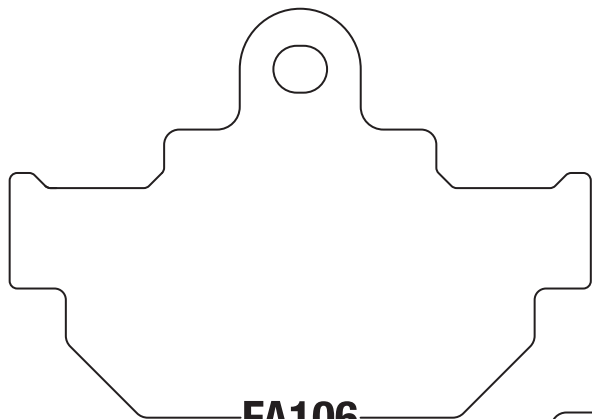
BRAKE PAD
BUYERS GUIDE

DO NOT REFIT ANY SHIMS/INSULATORS TO EBC PADS FROM ORIGINAL PADS UNLESS INSTRUCTED ON NOTE ON PAD PACKAGING AND ON FA DRAWING ASSOCIATED WITH THAT PAD.

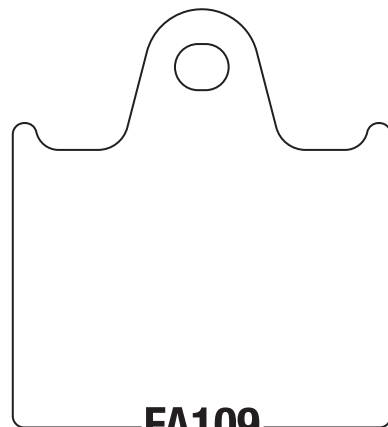
EBC FULL SIZE BRAKE PAD ILLUSTRATION – FA106-FA124

BRAKE PAD
BUYERS GUIDE

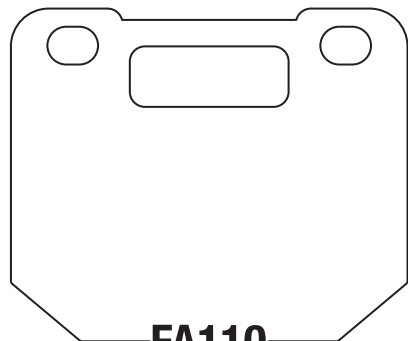
DO NOT REFIT ANY SHIMS/INSULATORS TO EBC PADS FROM ORIGINAL PADS UNLESS INSTRUCTED ON NOTE ON PAD PACKAGING AND ON FA DRAWING ASSOCIATED WITH THAT PAD.



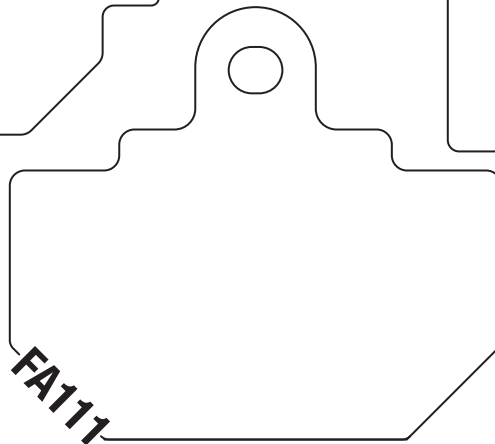
FA106



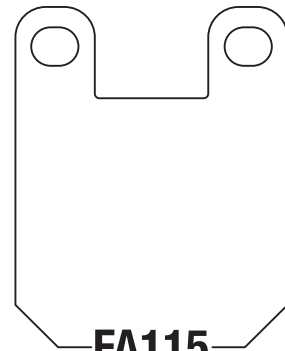
FA109



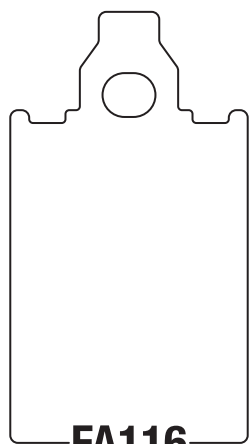
FA110



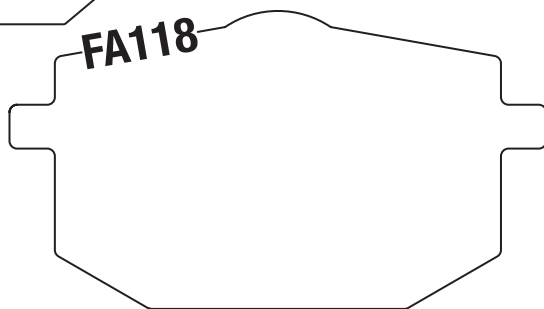
FA111



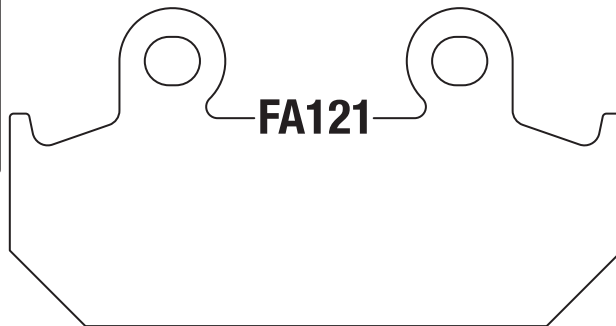
FA115



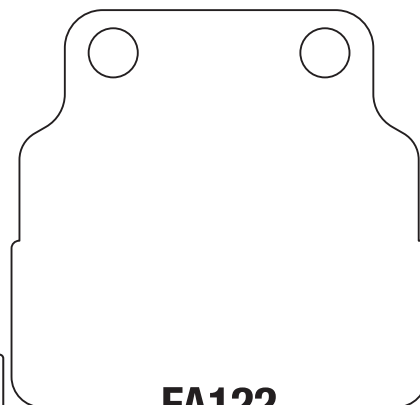
FA116



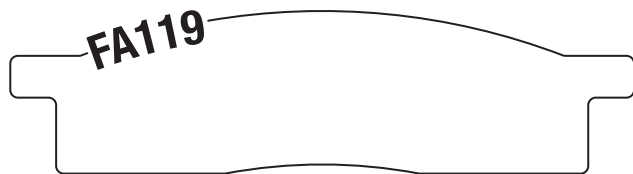
FA118



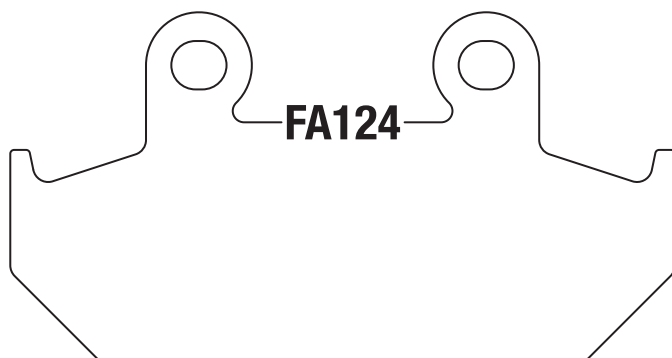
FA121



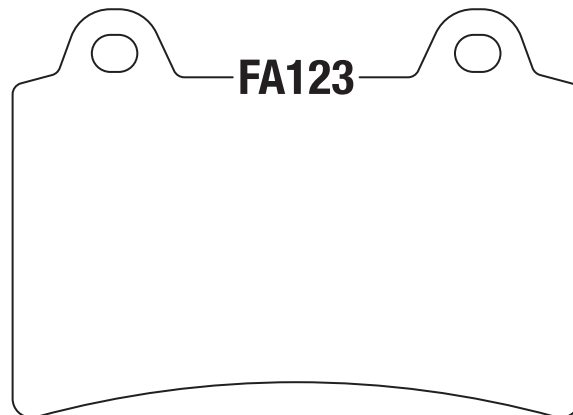
FA122



FA119



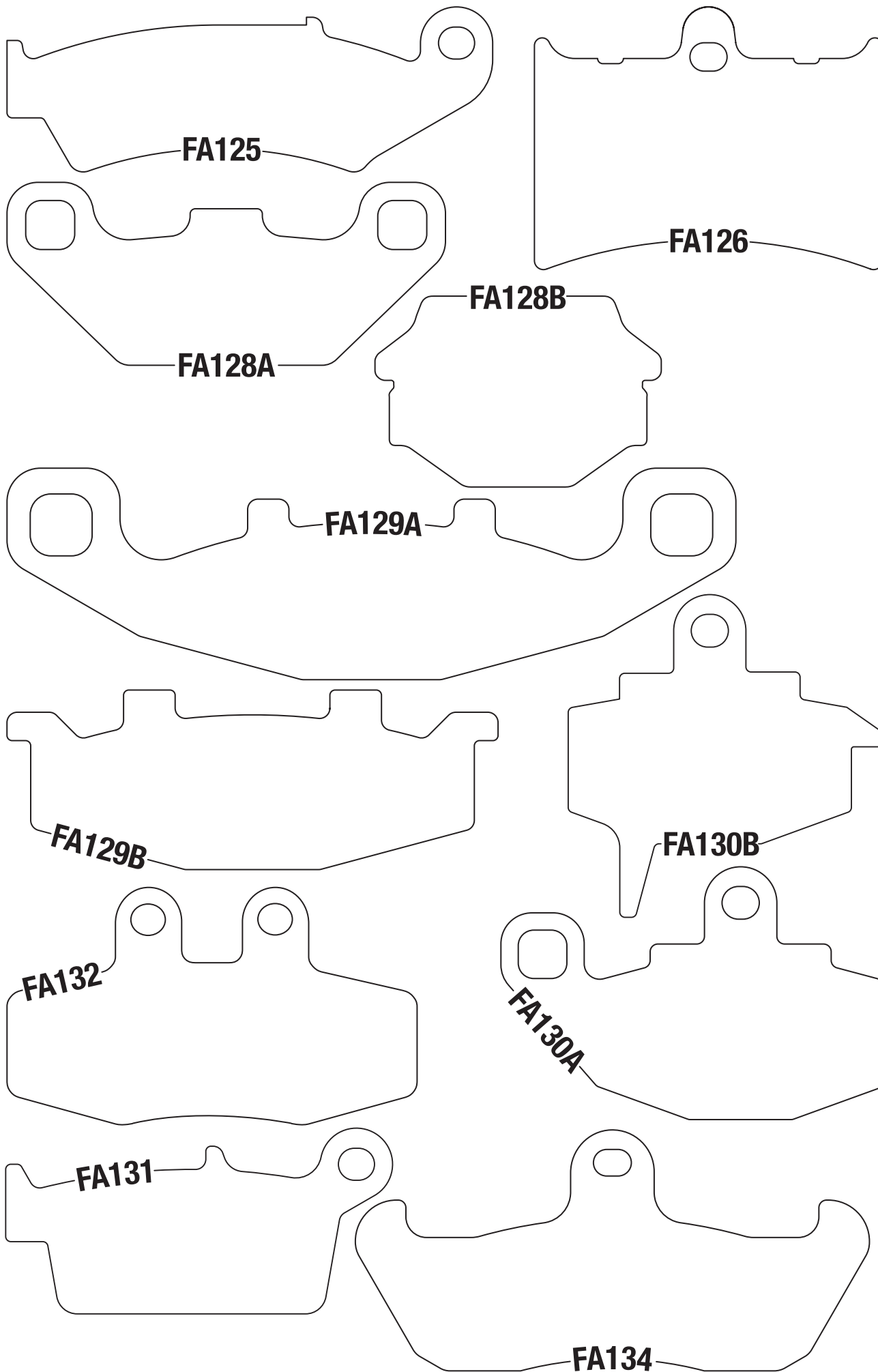
FA124



FA123

EBC FULL SIZE BRAKE PAD ILLUSTRATION – FA125-FA134

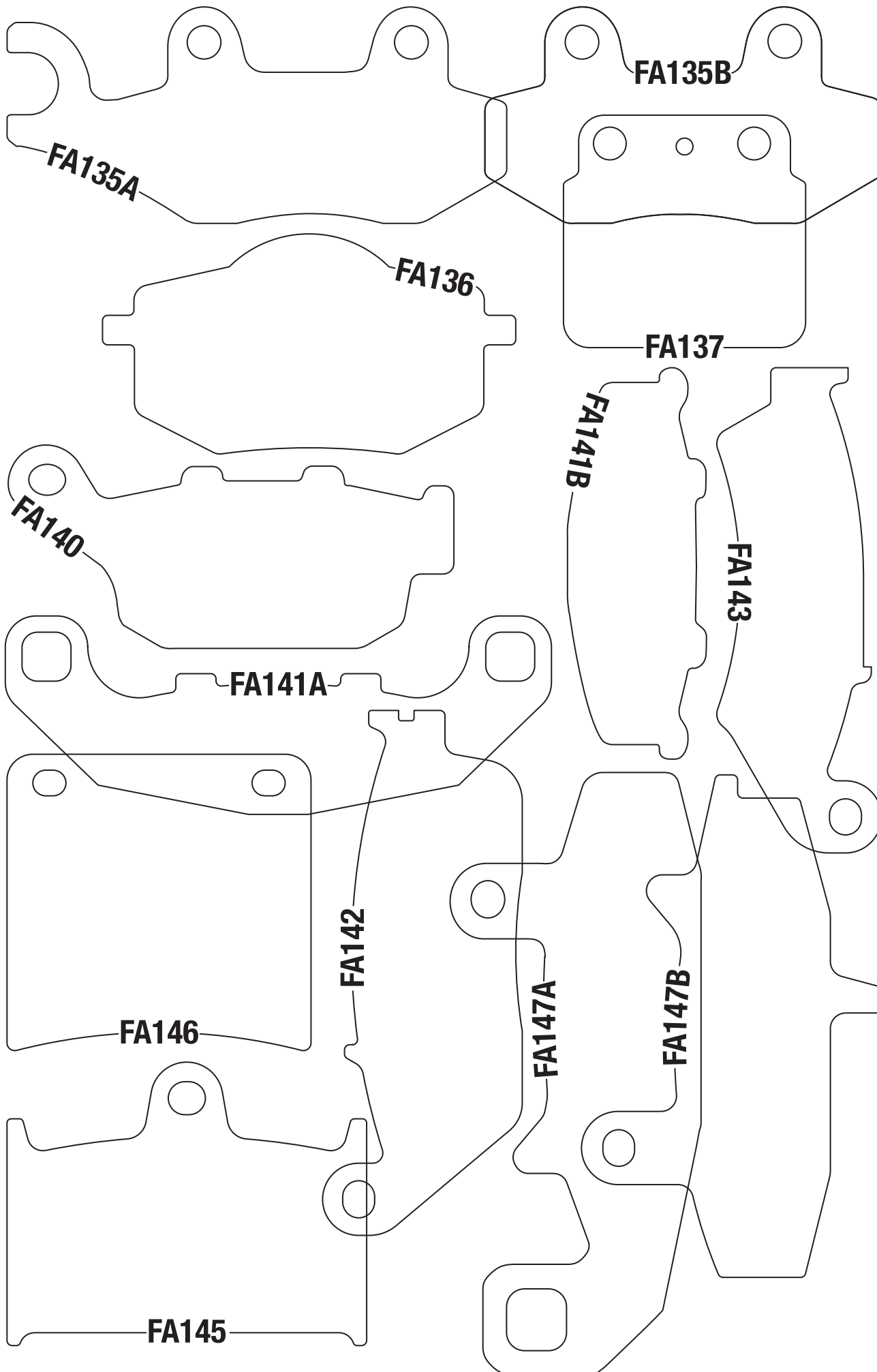
BRAKE PAD
BUYERS GUIDE



DO NOT REFIT ANY SHIMS/INSULATORS TO EBC PADS FROM ORIGINAL PADS UNLESS INSTRUCTED ON NOTE ON PAD PACKAGING AND ON FA DRAWING ASSOCIATED WITH THAT PAD.

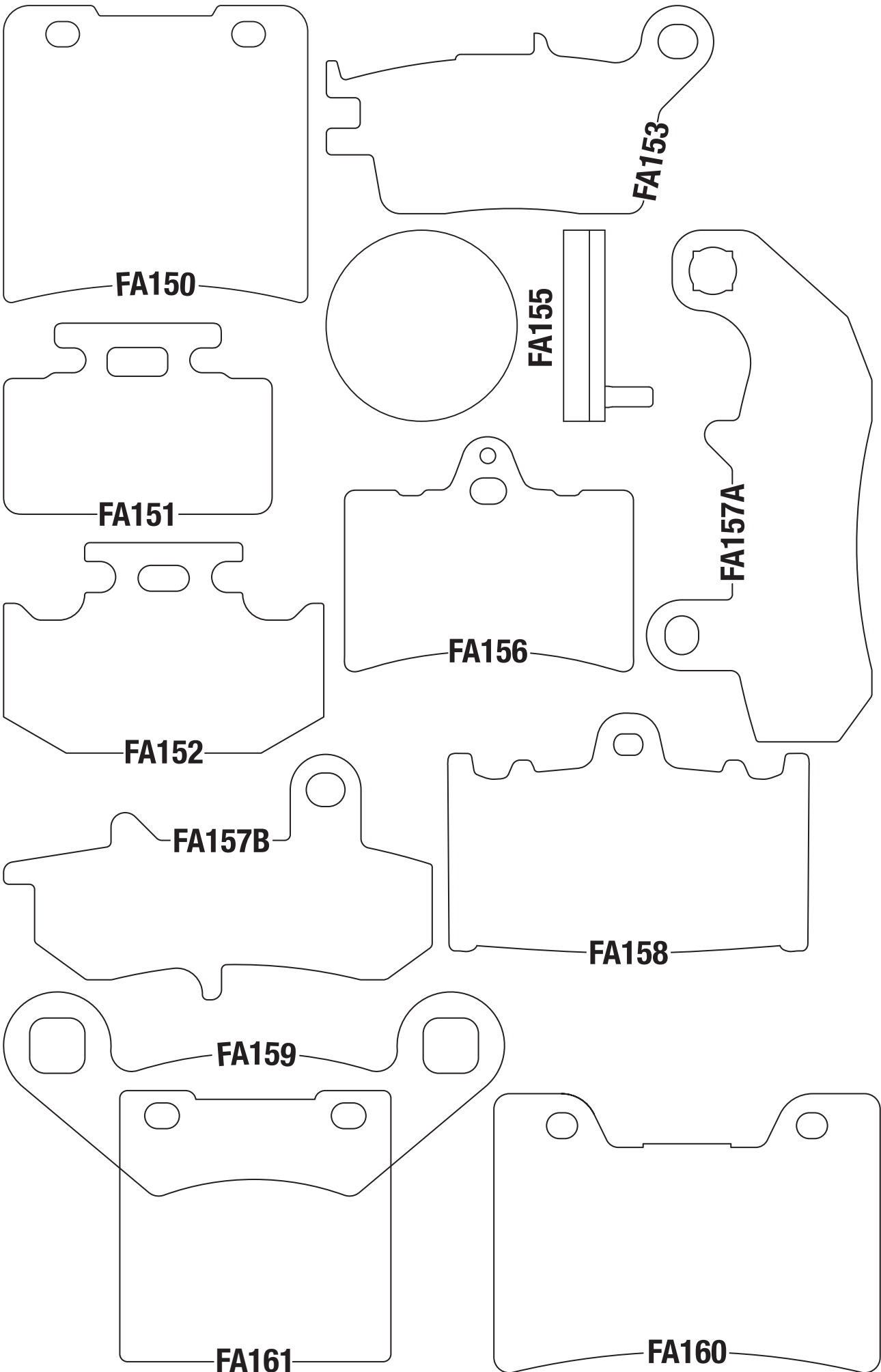
EBC FULL SIZE BRAKE PAD ILLUSTRATION – FA135-FA147

BRAKE PAD
BUYERS GUIDE



DO NOT REFIT ANY SHIMS/INSULATORS TO EBC PADS FROM ORIGINAL PADS UNLESS INSTRUCTED ON NOTE ON PAD PACKAGING AND ON FA DRAWING ASSOCIATED WITH THAT PAD.

EBC FULL SIZE BRAKE PAD ILLUSTRATION – FA150-FA161

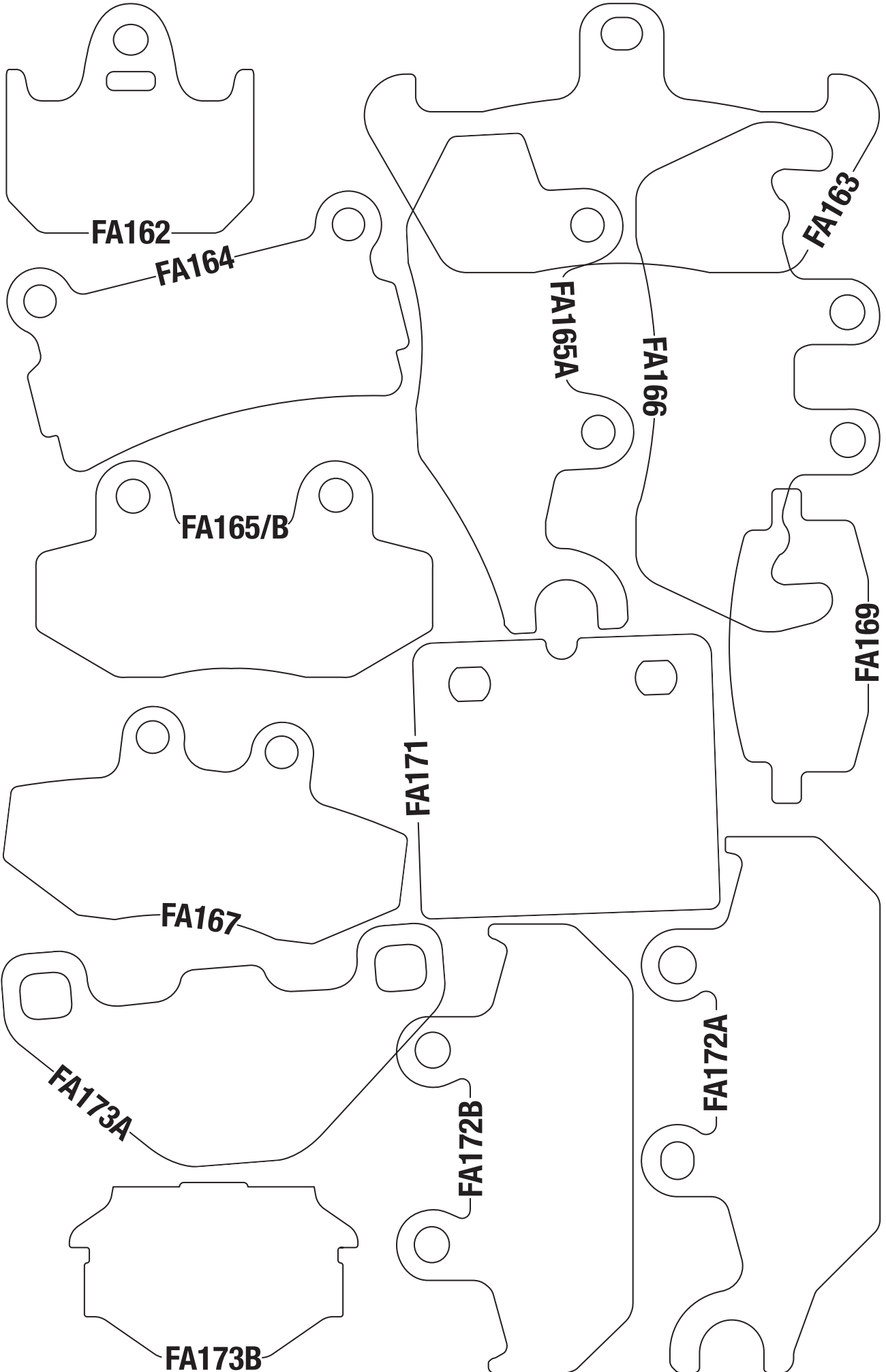


BRAKE PAD
BUYERS GUIDE

DO NOT REFIT ANY SHIMS/INSULATORS TO EBC PADS FROM ORIGINAL PADS UNLESS INSTRUCTED ON NOTE ON PAD PACKAGING AND ON FA DRAWING ASSOCIATED WITH THAT PAD.

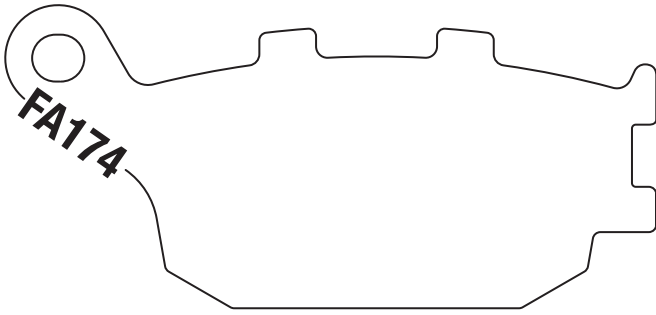
EBC FULL SIZE BRAKE PAD ILLUSTRATION – FA162-FA173

BRAKE PAD
BUYERS GUIDE

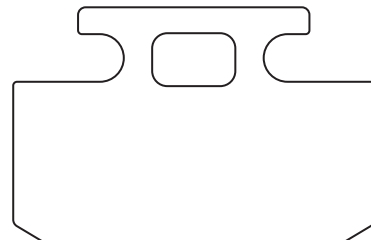


DO NOT REFIT ANY SHIMS/INSULATORS TO EBC PADS FROM ORIGINAL PADS UNLESS INSTRUCTED ON NOTE ON PAD PACKAGING AND ON FA DRAWING ASSOCIATED WITH THAT PAD.

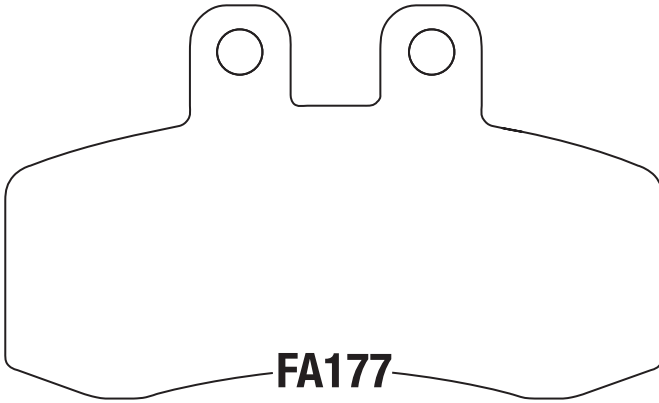
EBC FULL SIZE BRAKE PAD ILLUSTRATION – FA174-FA185



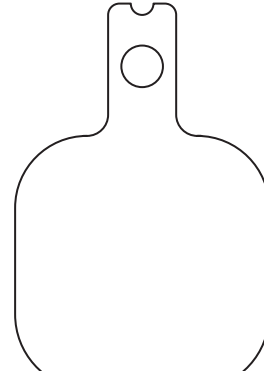
FA174



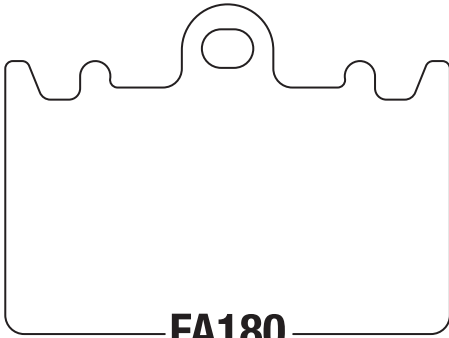
SFA176



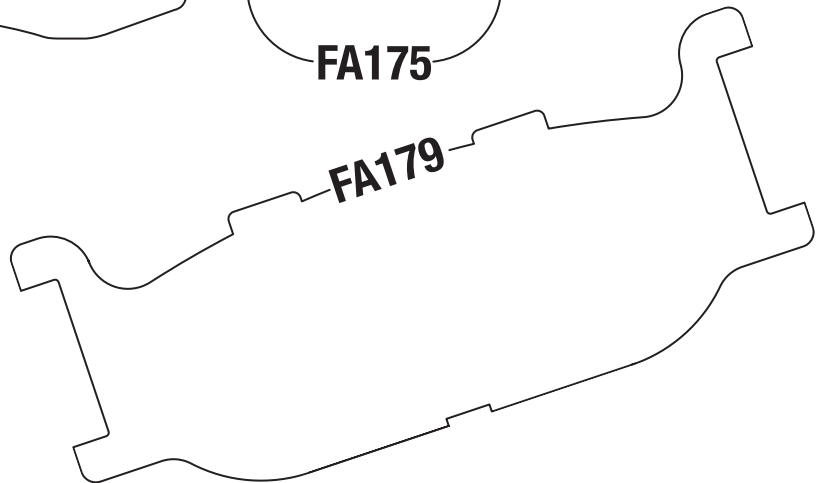
FA177



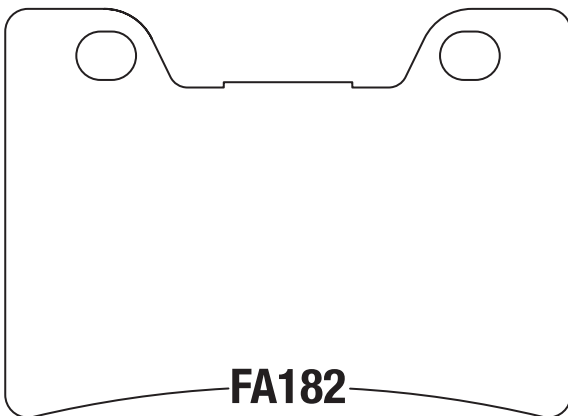
FA175



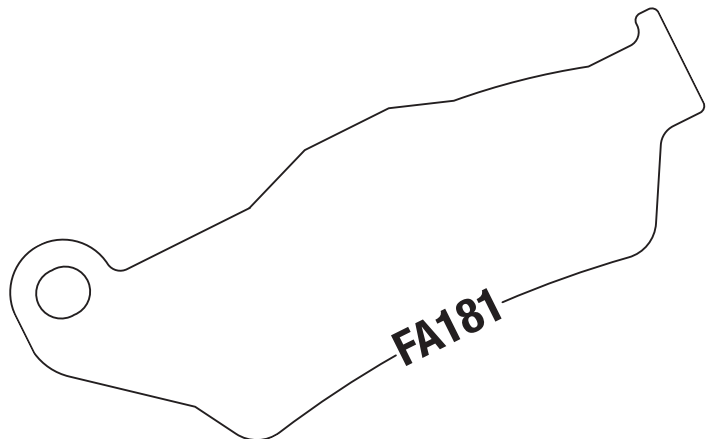
FA180



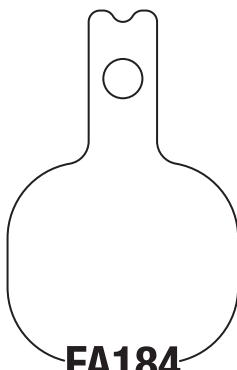
FA179



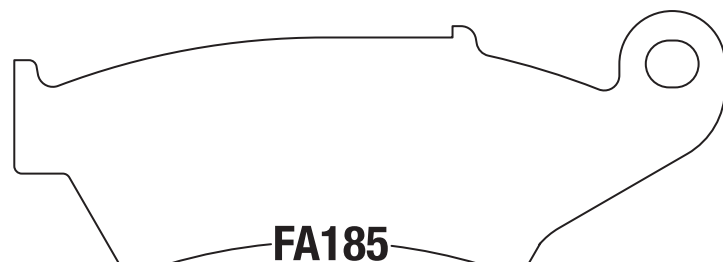
FA182



FA181



FA184



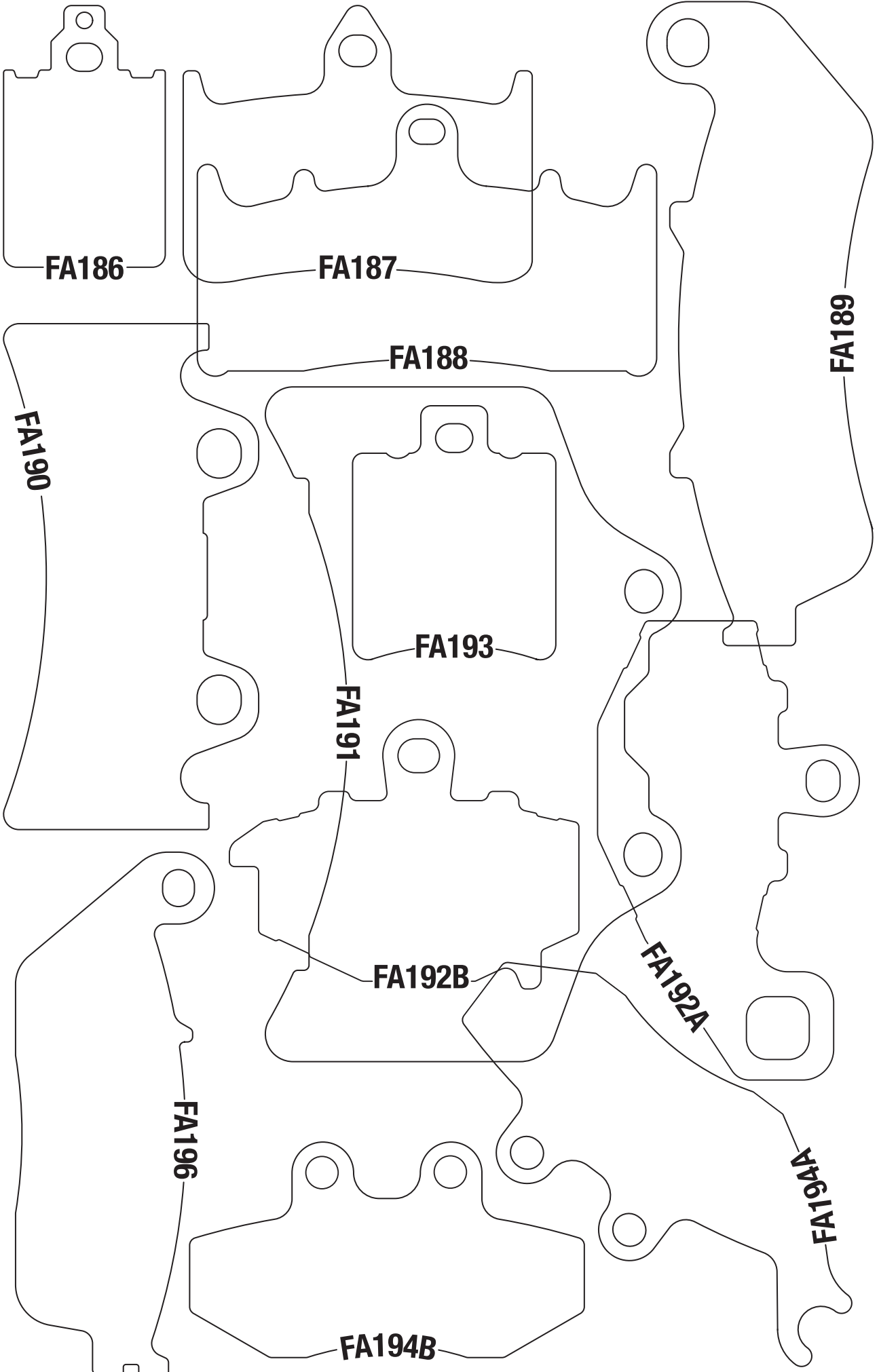
FA185

**BRAKE PAD
BUYERS GUIDE**

DO NOT REFIT ANY SHIMS/INSULATORS TO EBC PADS FROM ORIGINAL PADS UNLESS INSTRUCTED ON NOTE ON PAD PACKAGING AND ON FA DRAWING ASSOCIATED WITH THAT PAD.

EBC FULL SIZE BRAKE PAD ILLUSTRATION – FA186-FA196

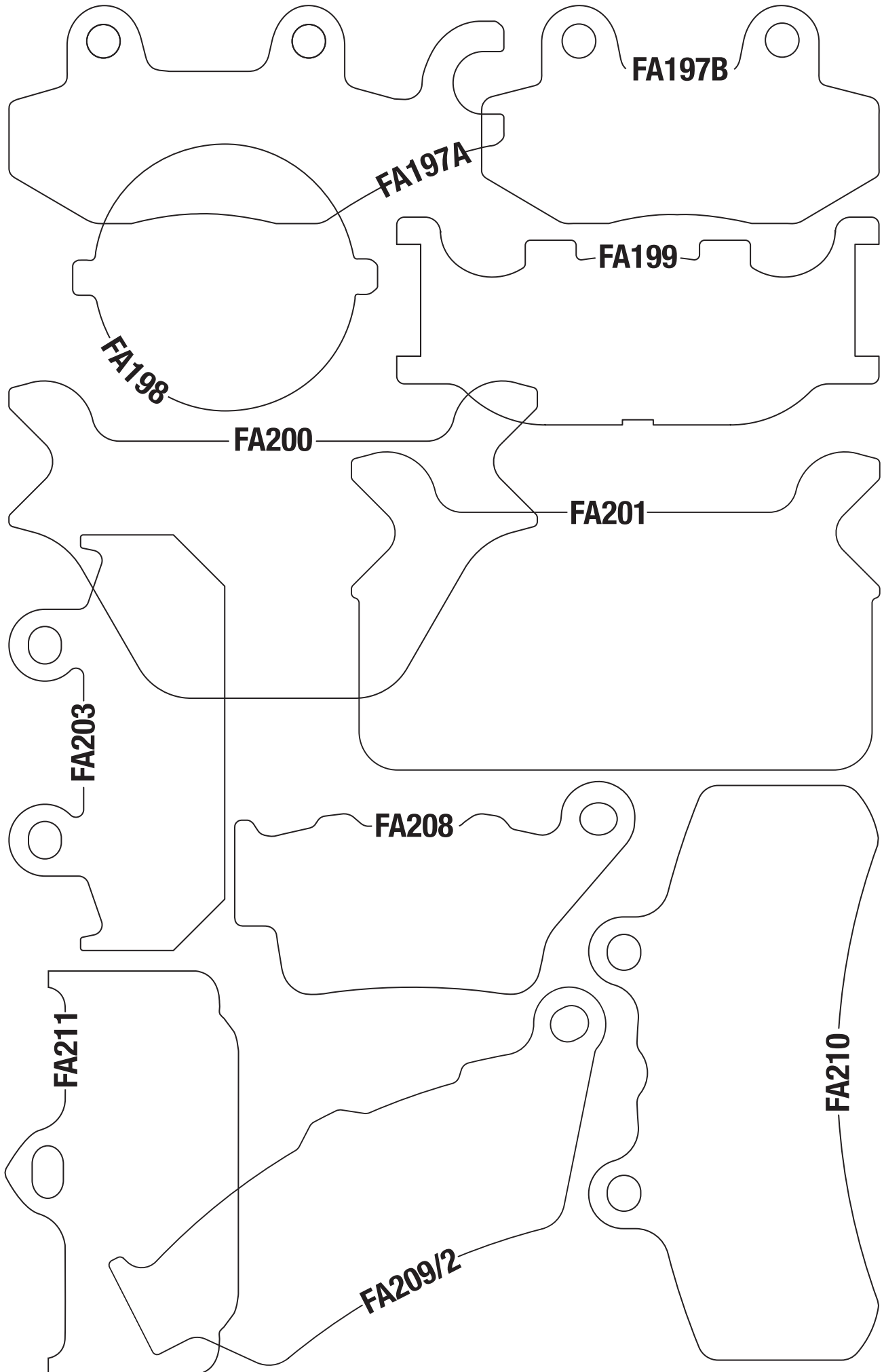
BRAKE PAD
BUYERS GUIDE



DO NOT REFIT ANY SHIMS/INSULATORS TO EBC PADS FROM ORIGINAL PADS UNLESS INSTRUCTED ON NOTE ON PAD PACKAGING AND ON FA DRAWING ASSOCIATED WITH THAT PAD.

EBC FULL SIZE BRAKE PAD ILLUSTRATION – FA197-FA211

BRAKE PAD
BUYERS GUIDE

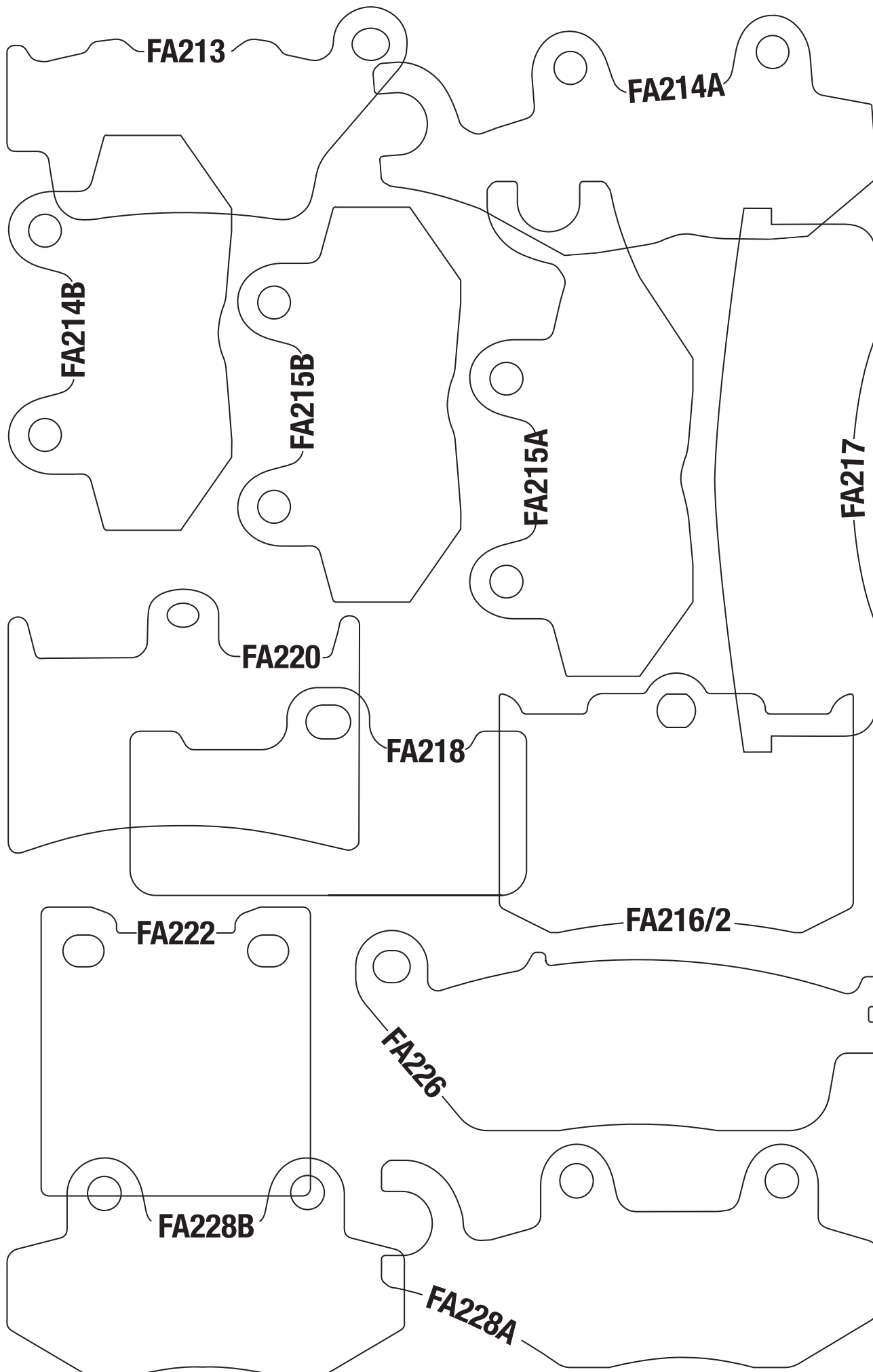


DO NOT REFIT ANY SHIMS/INSULATORS TO EBC PADS FROM ORIGINAL PADS UNLESS INSTRUCTED ON NOTE ON PAD PACKAGING AND ON FA DRAWING ASSOCIATED WITH THAT PAD.

EBC FULL SIZE BRAKE PAD ILLUSTRATION – FA213-FA228

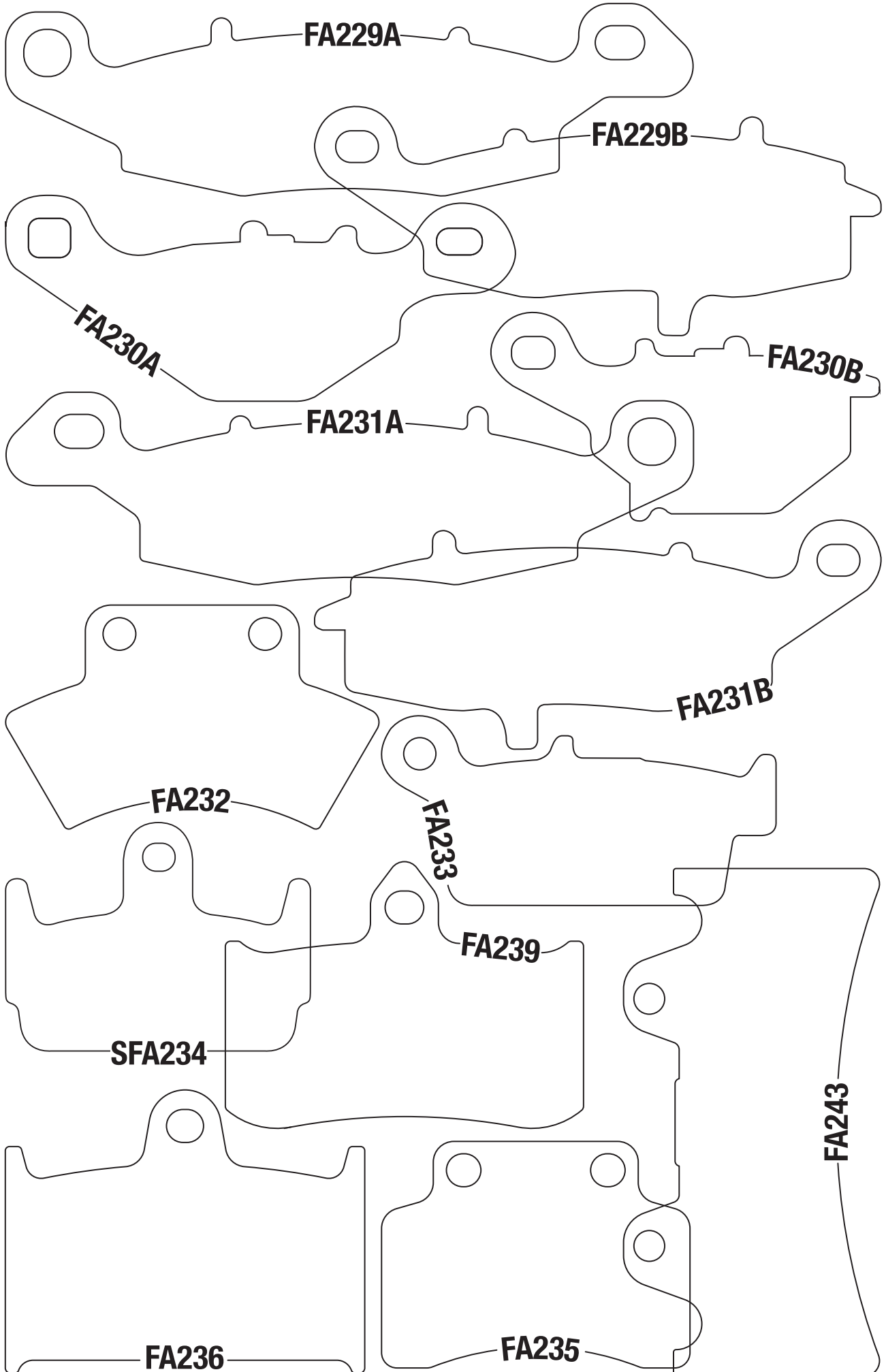
BRAKE PAD
BUYERS GUIDE

DO NOT REFIT ANY SHIMS/INSULATORS TO EBC PADS FROM ORIGINAL PADS UNLESS INSTRUCTED ON NOTE ON PAD PACKAGING AND ON FA DRAWING ASSOCIATED WITH THAT PAD.



EBC FULL SIZE BRAKE PAD ILLUSTRATION – FA229-FA243

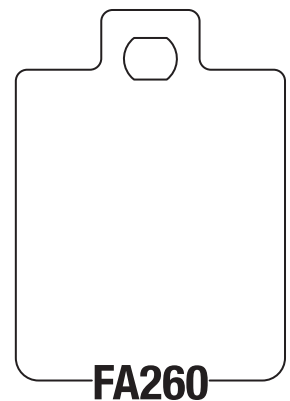
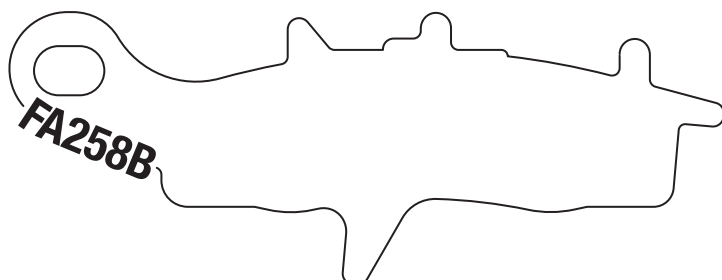
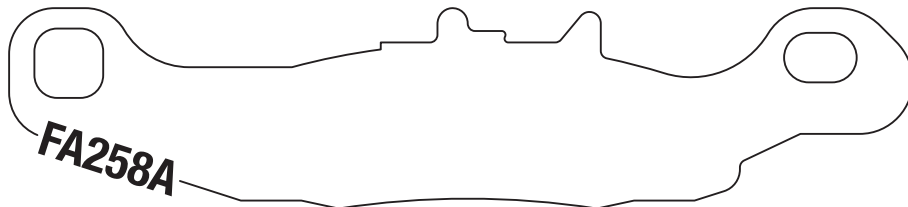
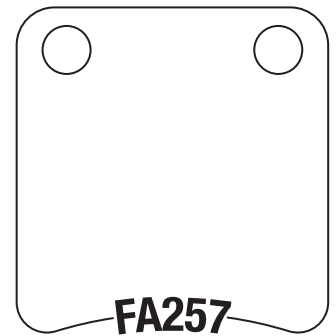
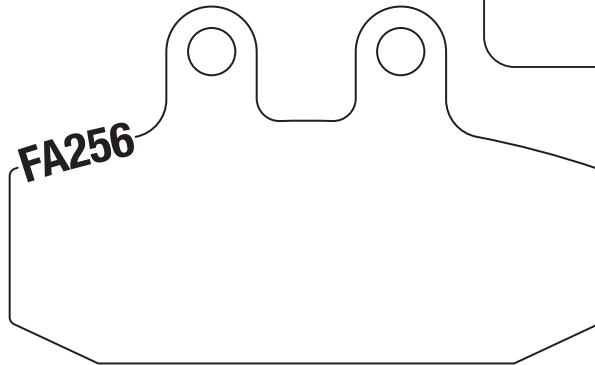
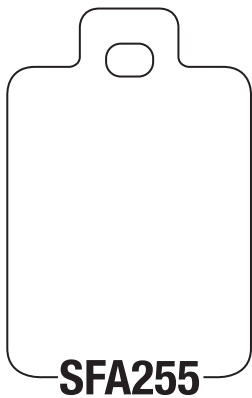
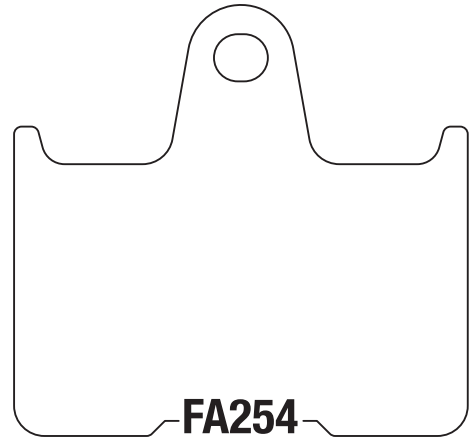
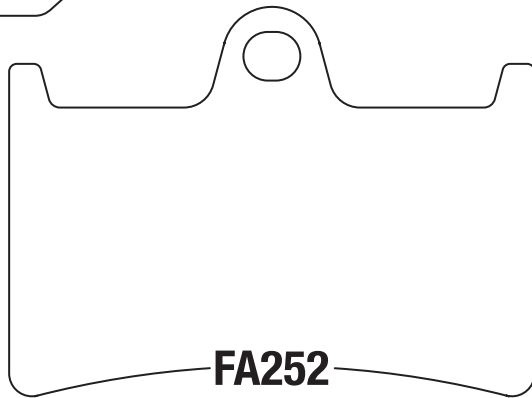
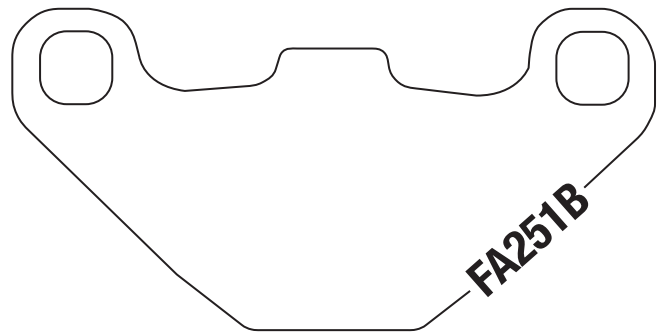
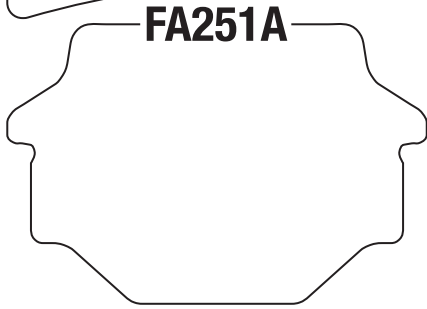
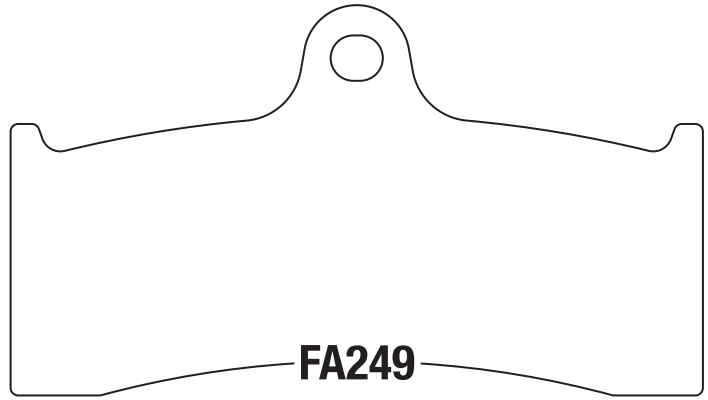
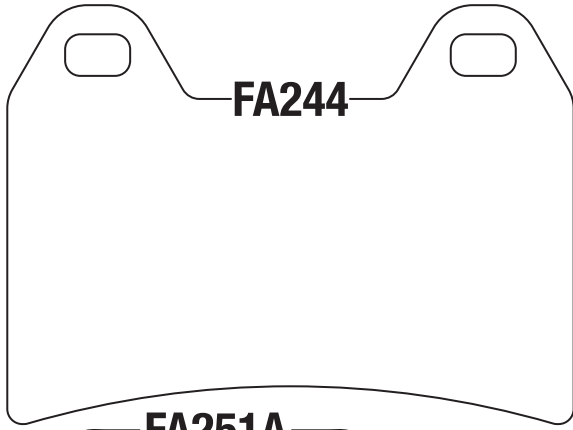
BRAKE PAD
BUYERS GUIDE



DO NOT REFIT ANY SHIMS/INSULATORS TO EBC PADS FROM ORIGINAL PADS UNLESS INSTRUCTED ON NOTE ON PAD PACKAGING AND ON FA DRAWING ASSOCIATED WITH THAT PAD.

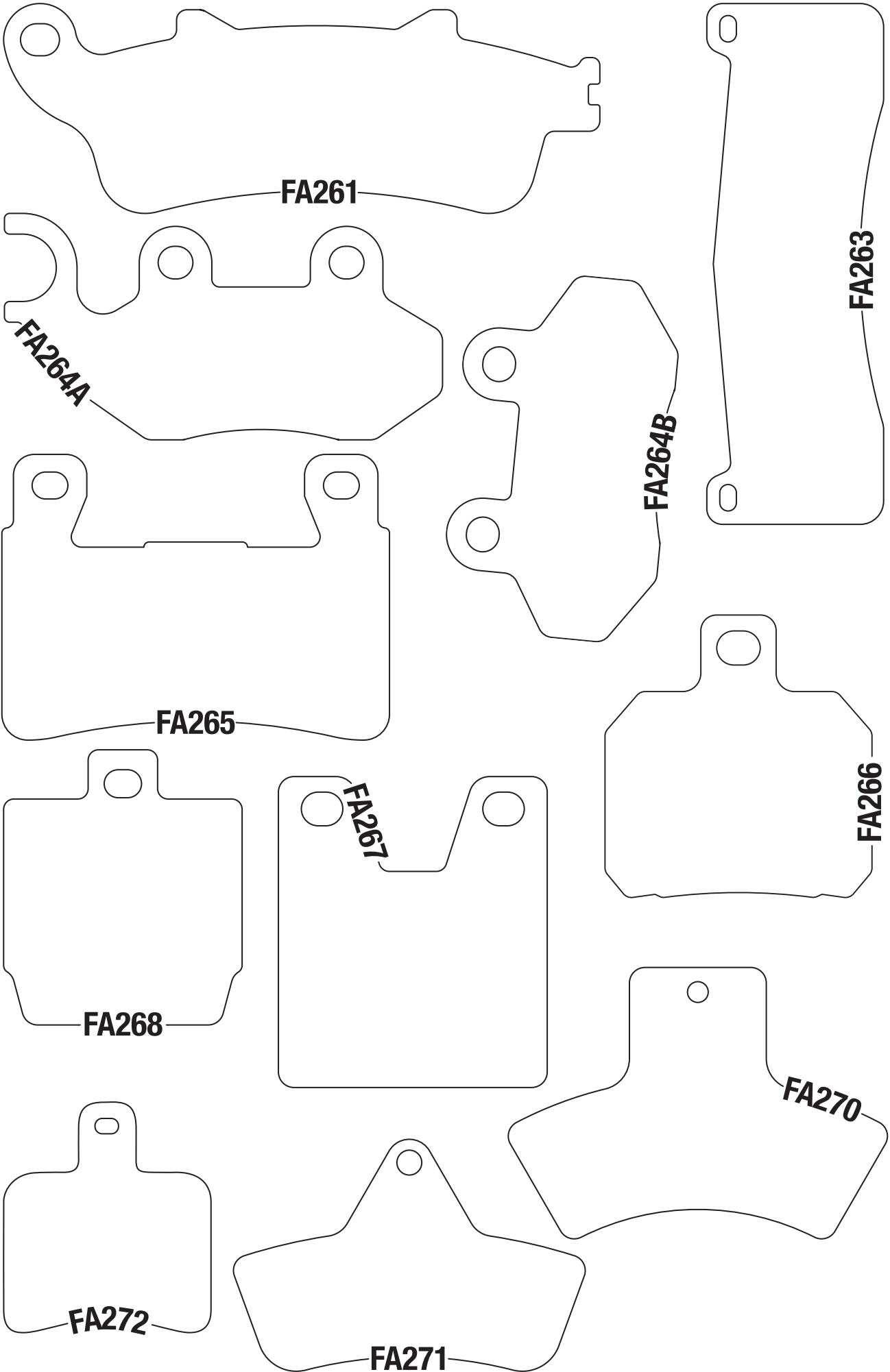
EBC FULL SIZE BRAKE PAD ILLUSTRATION – FA244-FA260

BRAKE PAD
BUYERS GUIDE



DO NOT REFIT ANY SHIMS/INSULATORS TO EBC PADS FROM ORIGINAL PADS UNLESS INSTRUCTED ON NOTE ON PAD PACKAGING AND ON FA DRAWING ASSOCIATED WITH THAT PAD.

EBC FULL SIZE BRAKE PAD ILLUSTRATION – FA261-FA272

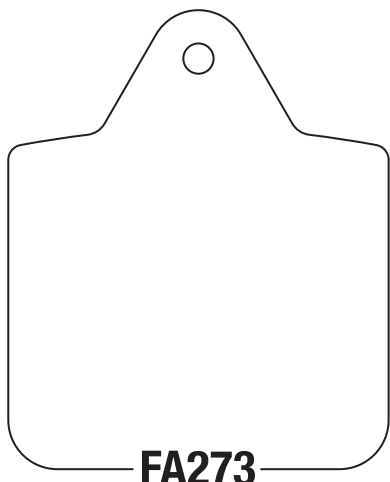


BRAKE PAD
BUYERS GUIDE

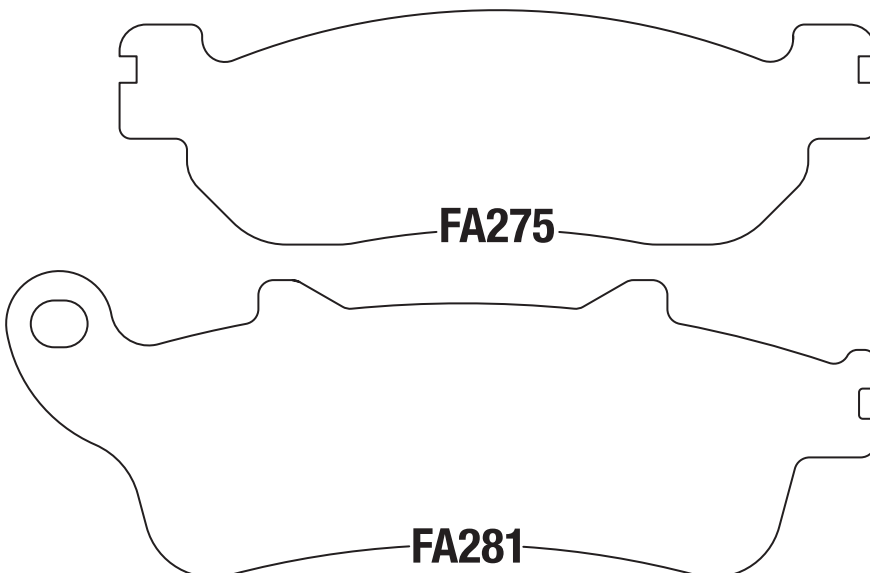
DO NOT REFIT ANY SHIMS/INSULATORS TO EBC PADS FROM ORIGINAL PADS UNLESS INSTRUCTED ON NOTE ON PAD PACKAGING AND ON FA DRAWING ASSOCIATED WITH THAT PAD.

EBC FULL SIZE BRAKE PAD ILLUSTRATION – FA273-FA297

BRAKE PAD
BUYERS GUIDE

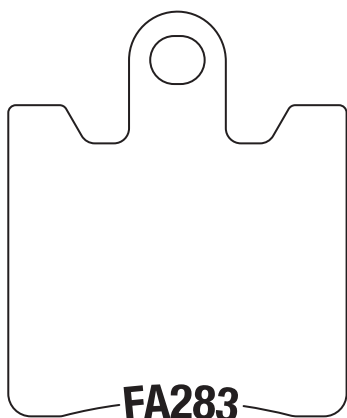


FA273

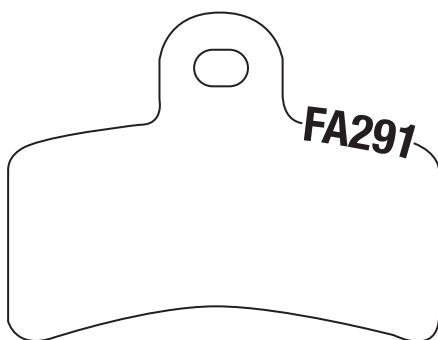


FA275

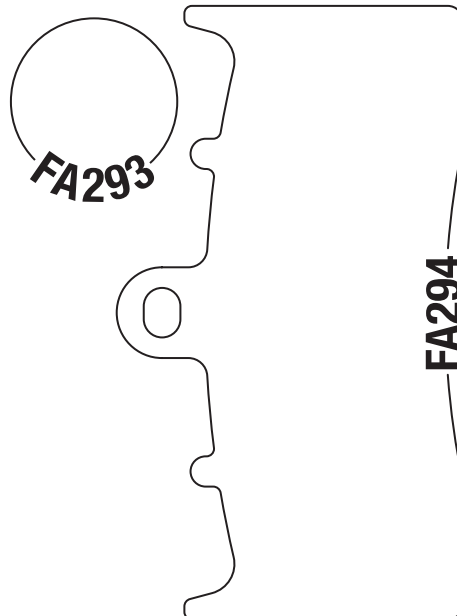
FA281



FA283



FA291

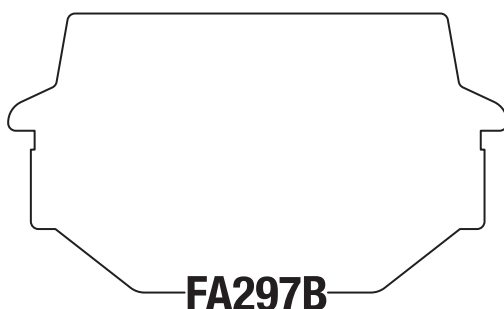


FA293

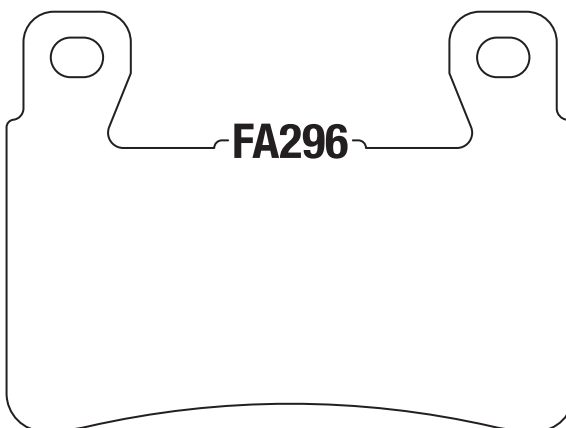
FA294



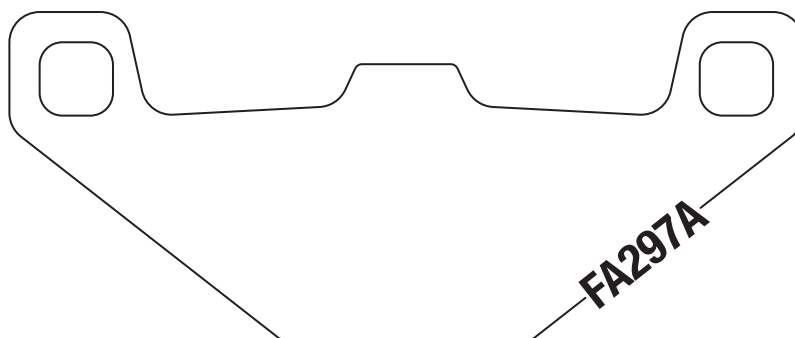
FA295



FA297B



FA296

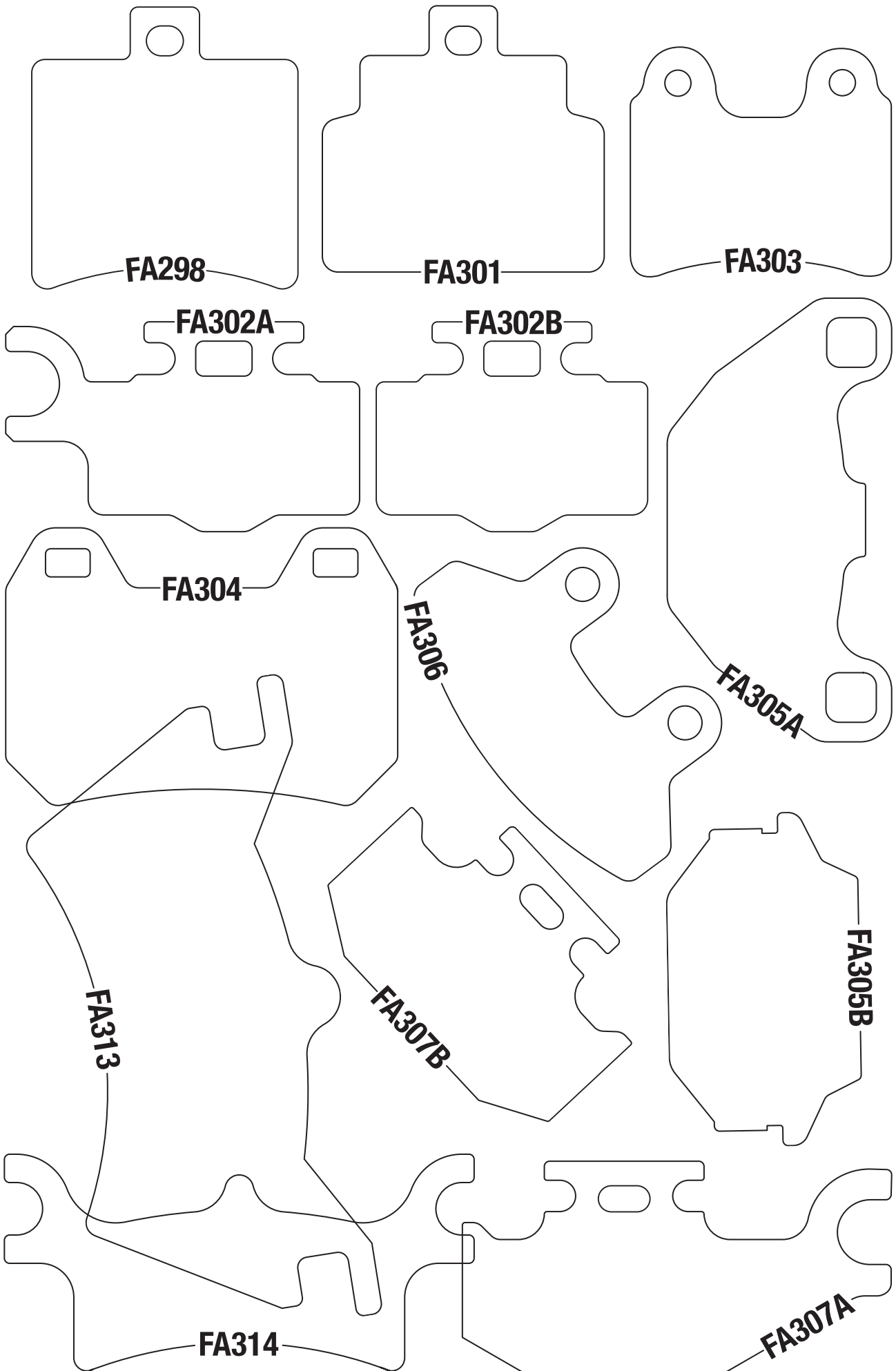


FA297A

DO NOT REFIT ANY SHIMS/INSULATORS TO EBC PADS FROM ORIGINAL PADS UNLESS INSTRUCTED ON NOTE ON PAD PACKAGING AND ON FA DRAWING ASSOCIATED WITH THAT PAD.

EBC FULL SIZE BRAKE PAD ILLUSTRATION – FA298-FA314

BRAKE PAD
BUYERS GUIDE

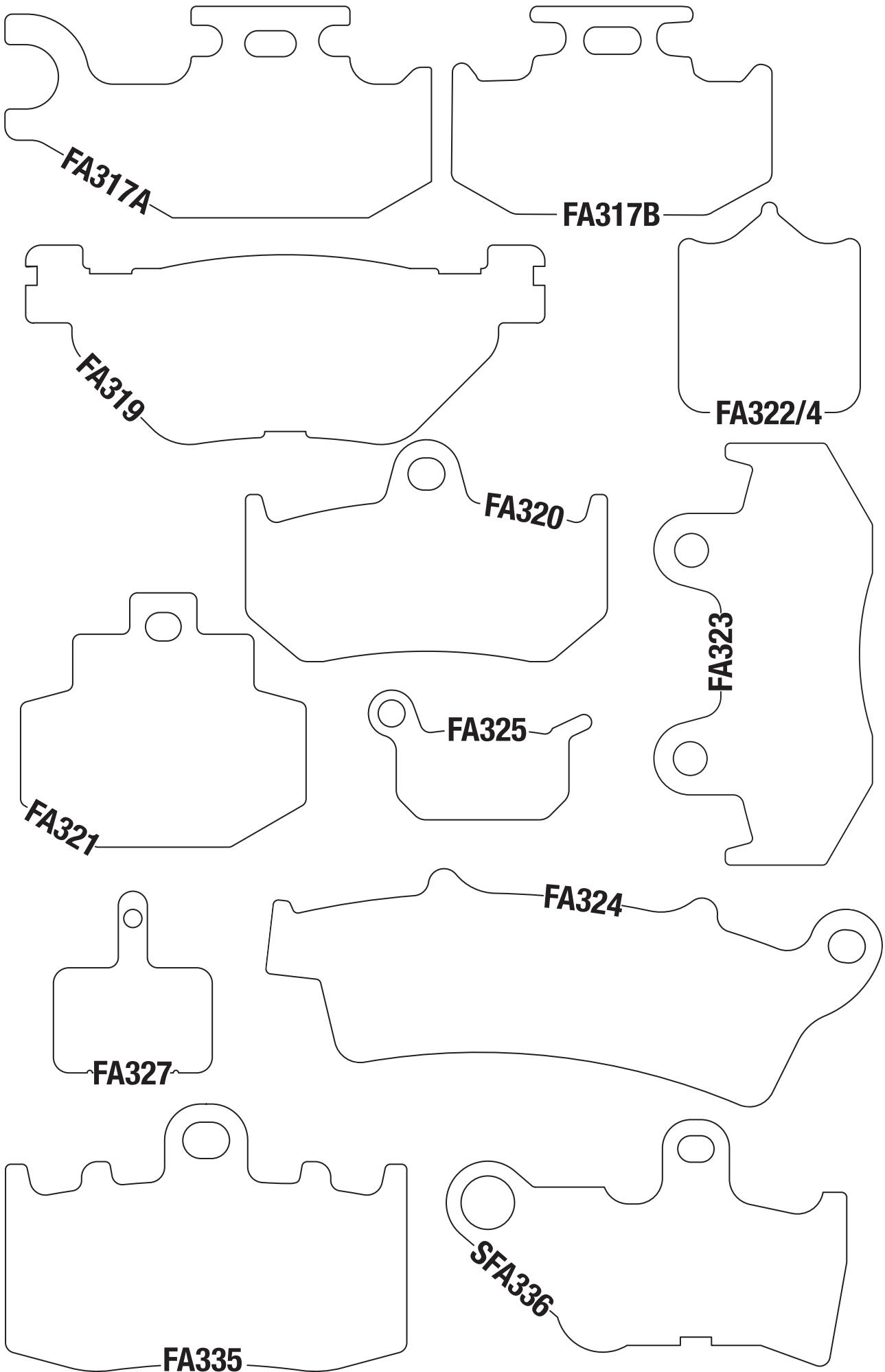


DO NOT REFIT ANY SHIMS/INSULATORS TO EBC PADS FROM ORIGINAL PADS UNLESS INSTRUCTED ON NOTE ON PAD PACKAGING AND ON FA DRAWING ASSOCIATED WITH THAT PAD.

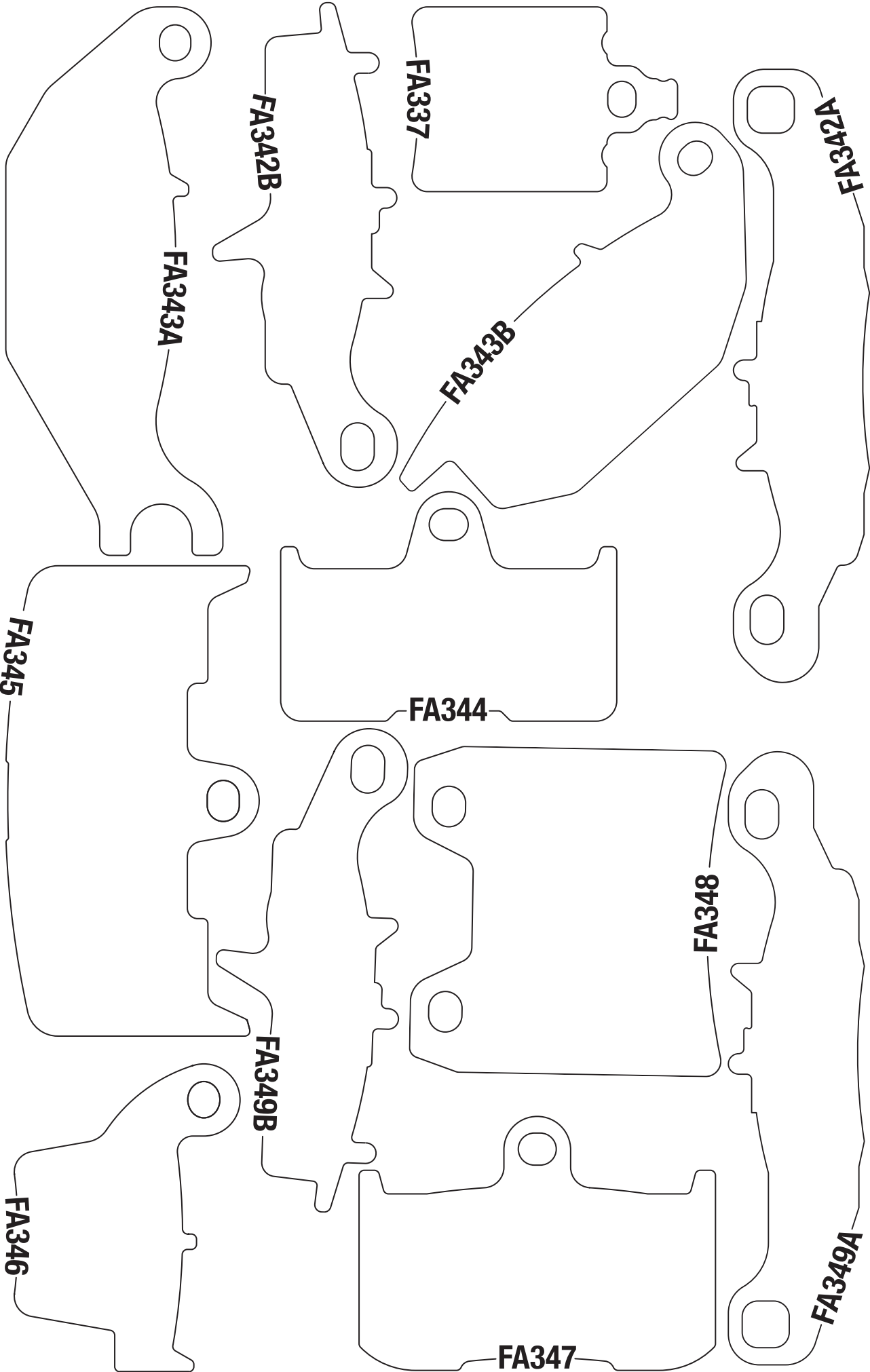
EBC FULL SIZE BRAKE PAD ILLUSTRATION – FA317-FA336

BRAKE PAD
BUYERS GUIDE

DO NOT REFIT ANY SHIMS/INSULATORS TO EBC PADS FROM ORIGINAL PADS UNLESS INSTRUCTED ON NOTE ON PAD PACKAGING AND ON FA DRAWING ASSOCIATED WITH THAT PAD.



EBC FULL SIZE BRAKE PAD ILLUSTRATION – FA337-FA349

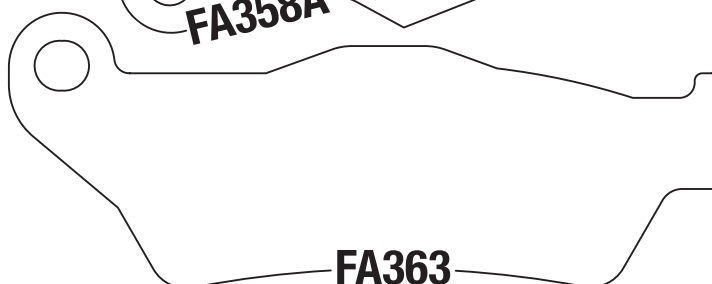
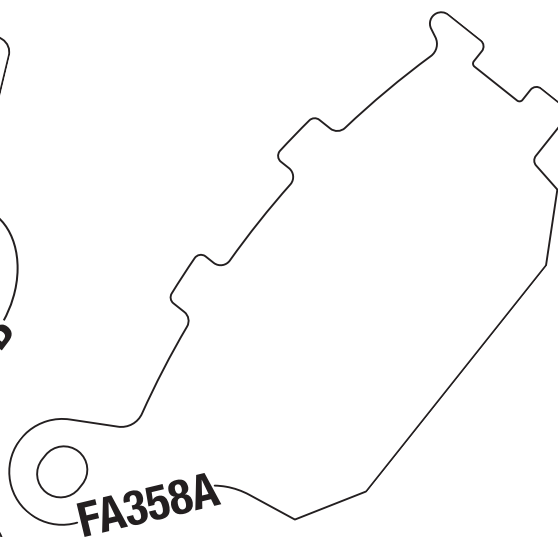
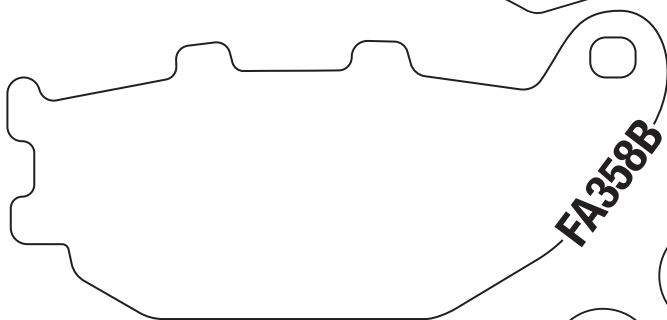
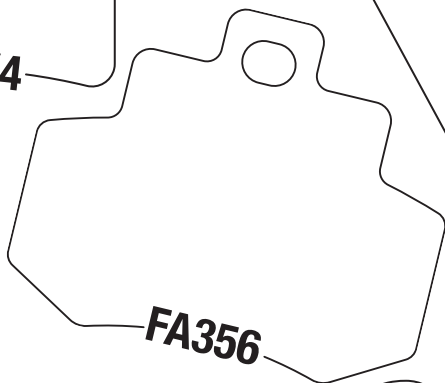
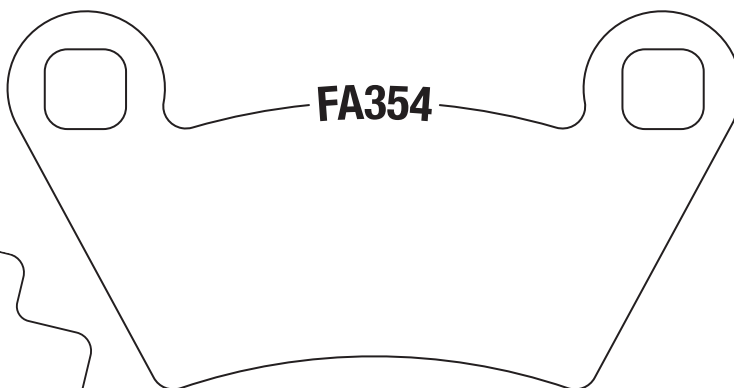
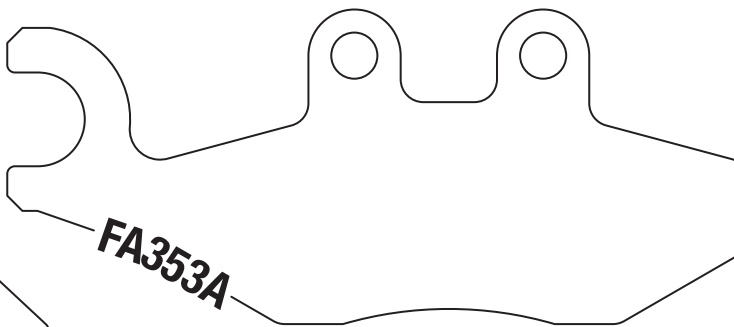
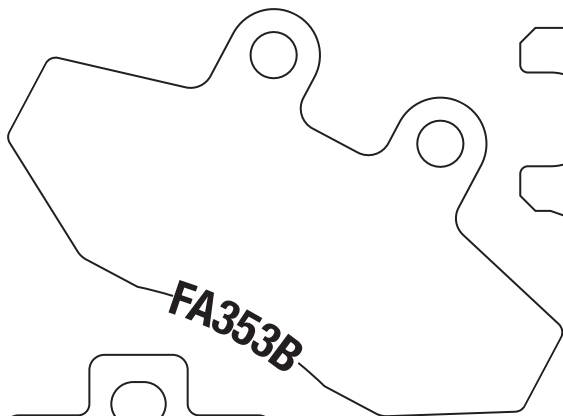
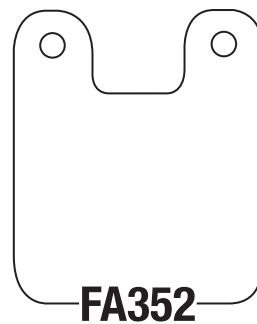
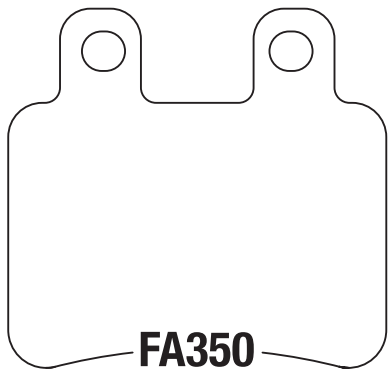


BRAKE PAD
BUYERS GUIDE

DO NOT REFIT ANY SHIMS/INSULATORS TO EBC PADS FROM ORIGINAL PADS UNLESS INSTRUCTED ON NOTE ON PAD PACKAGING AND ON FA DRAWING ASSOCIATED WITH THAT PAD.

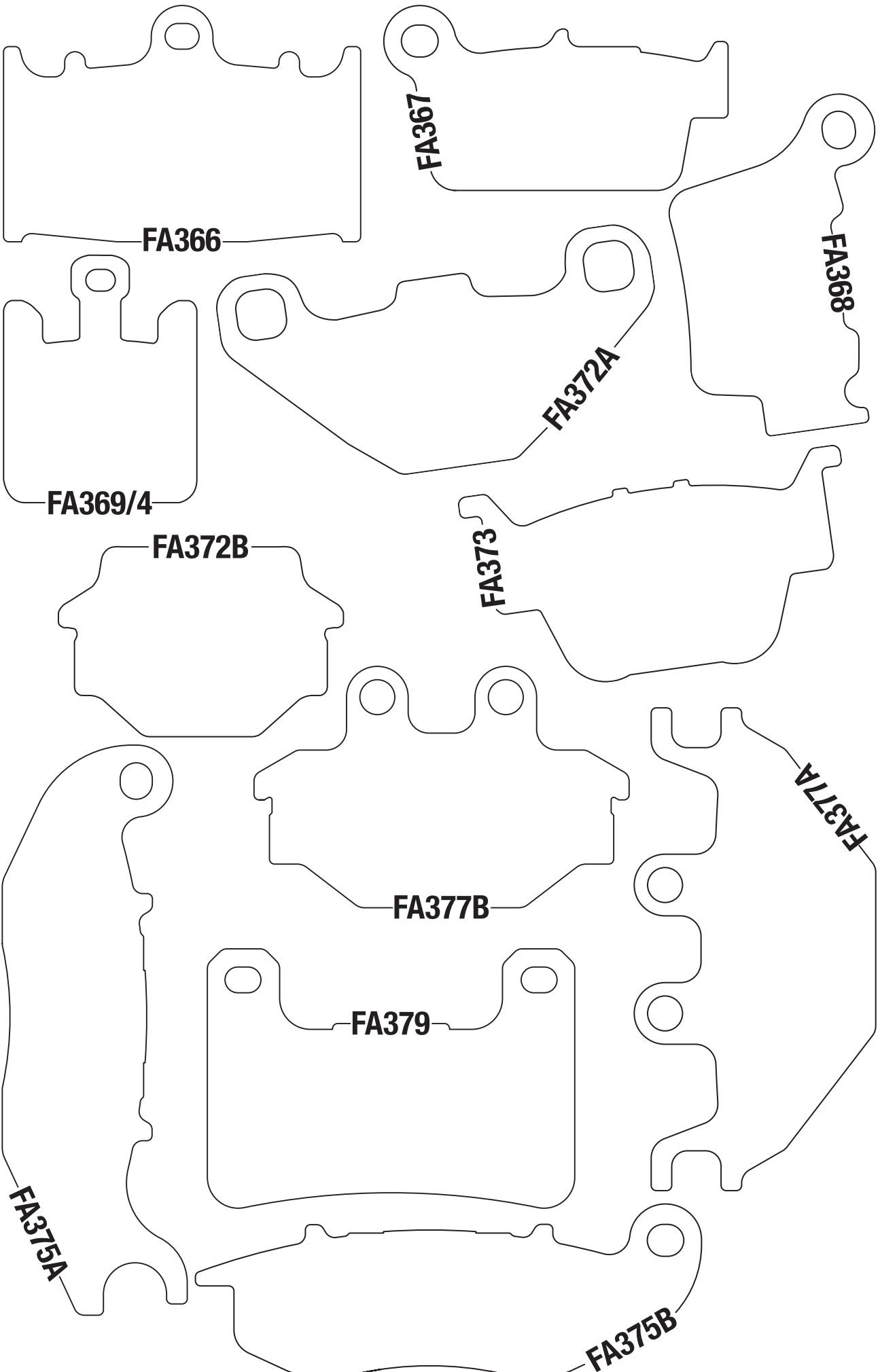
EBC FULL SIZE BRAKE PAD ILLUSTRATION – FA350-FA363

BRAKE PAD
BUYERS GUIDE



DO NOT REFIT ANY SHIMS/INSULATORS TO EBC PADS FROM ORIGINAL PADS UNLESS INSTRUCTED ON NOTE ON PAD PACKAGING AND ON FA DRAWING ASSOCIATED WITH THAT PAD.

EBC FULL SIZE BRAKE PAD ILLUSTRATION – FA366-FA379

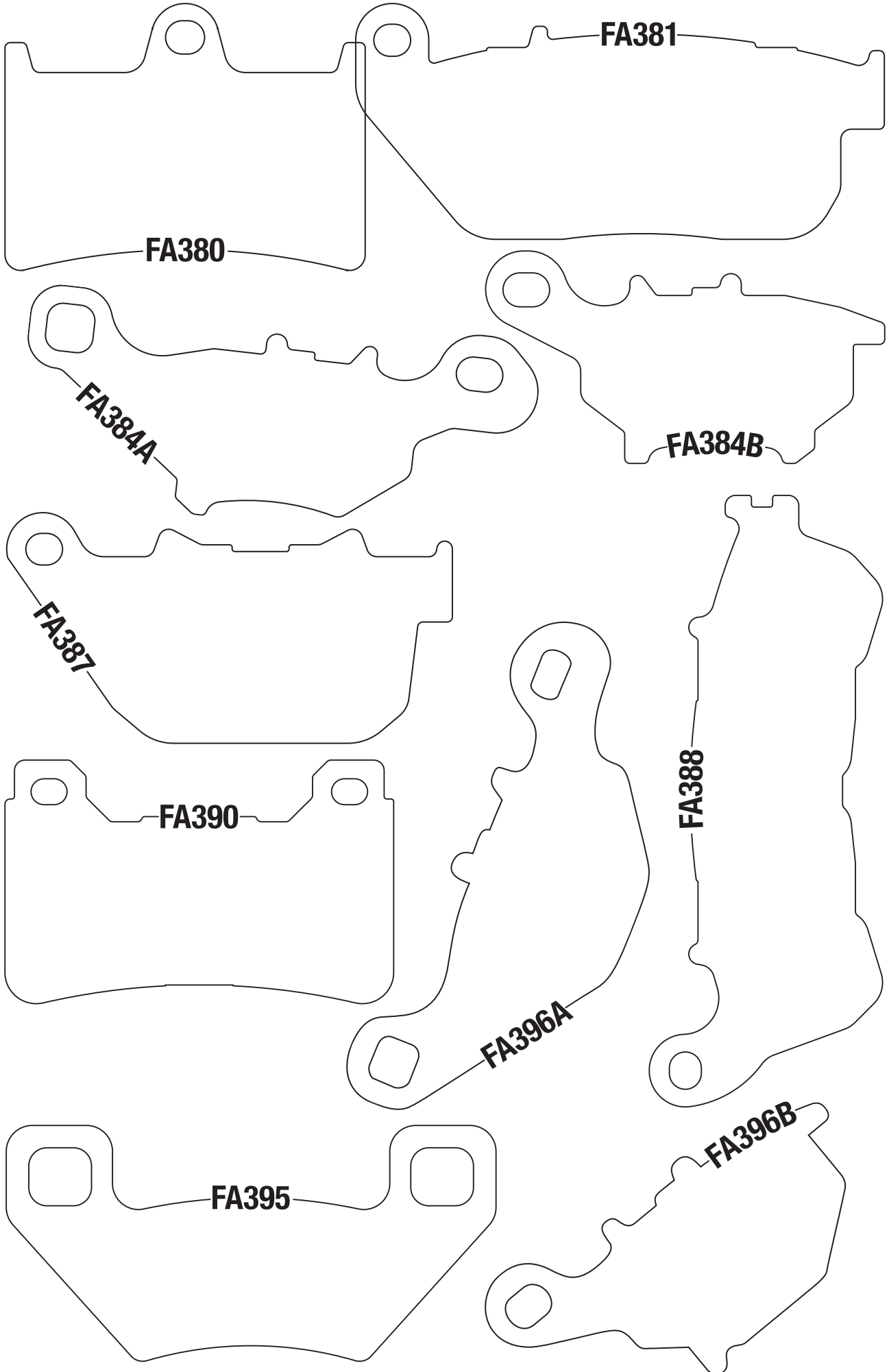


**BRAKE PAD
BUYERS GUIDE**

DO NOT REFIT ANY SHIMS/INSULATORS TO EBC PADS FROM ORIGINAL PADS UNLESS INSTRUCTED ON NOTE ON PAD PACKAGING AND ON FA DRAWING ASSOCIATED WITH THAT PAD.

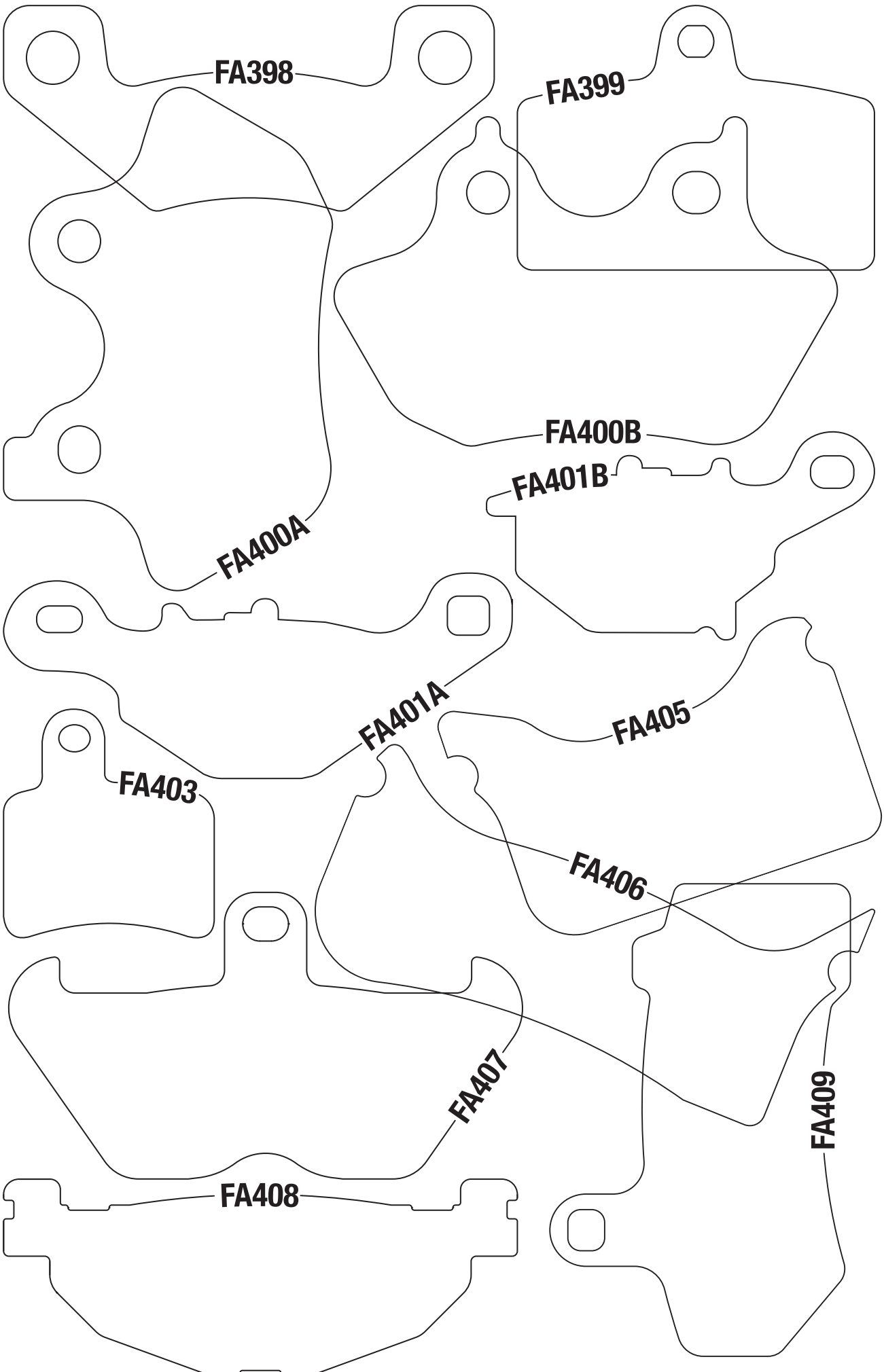
EBC FULL SIZE BRAKE PAD ILLUSTRATION – FA380-FA396

BRAKE PAD
BUYERS GUIDE



DO NOT REFIT ANY SHIMS/INSULATORS TO EBC PADS FROM ORIGINAL PADS UNLESS INSTRUCTED ON NOTE ON PAD PACKAGING AND ON FA DRAWING ASSOCIATED WITH THAT PAD.

EBC FULL SIZE BRAKE PAD ILLUSTRATION – FA398-FA409



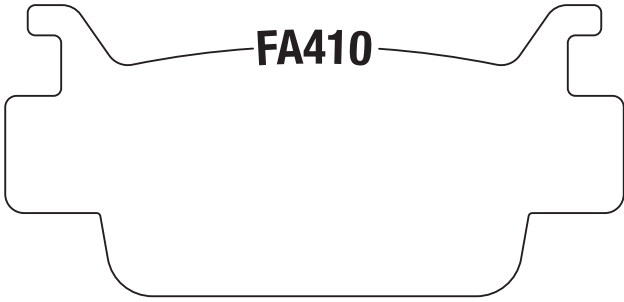
**BRAKE PAD
BUYERS GUIDE**

DO NOT REFIT ANY SHIMS/INSULATORS TO EBC PADS FROM ORIGINAL PADS UNLESS INSTRUCTED ON NOTE ON PAD PACKAGING AND ON FA DRAWING ASSOCIATED WITH THAT PAD.

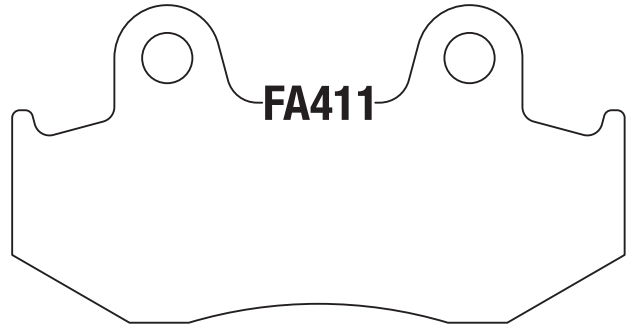
EBC FULL SIZE BRAKE PAD ILLUSTRATION – FA410-FA419

BRAKE PAD
BUYERS GUIDE

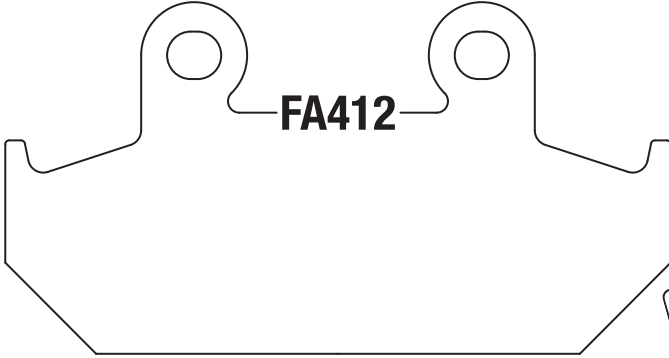
DO NOT REFIT ANY SHIMS/INSULATORS TO EBC PADS FROM ORIGINAL PADS UNLESS INSTRUCTED ON NOTE ON PAD PACKAGING AND ON FA DRAWING ASSOCIATED WITH THAT PAD.



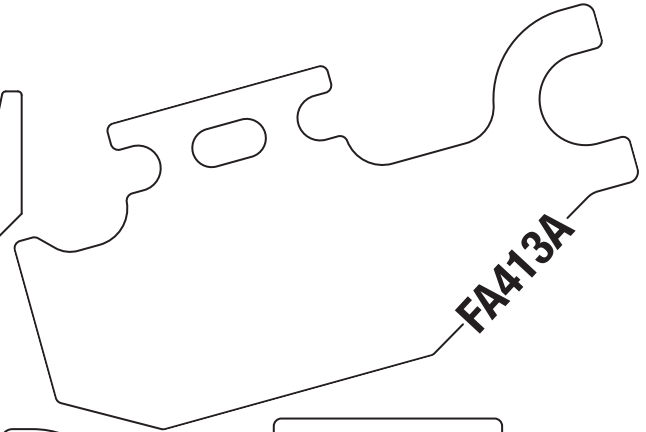
FA410



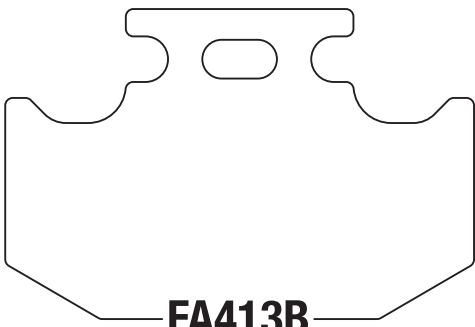
FA411



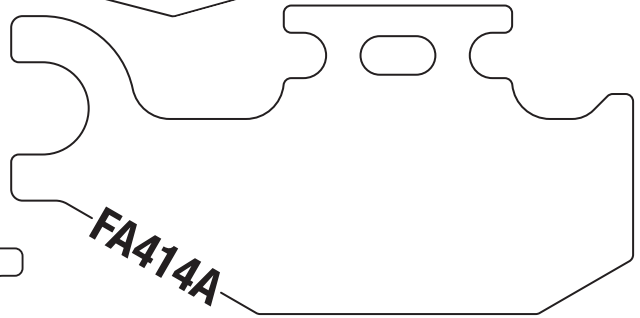
FA412



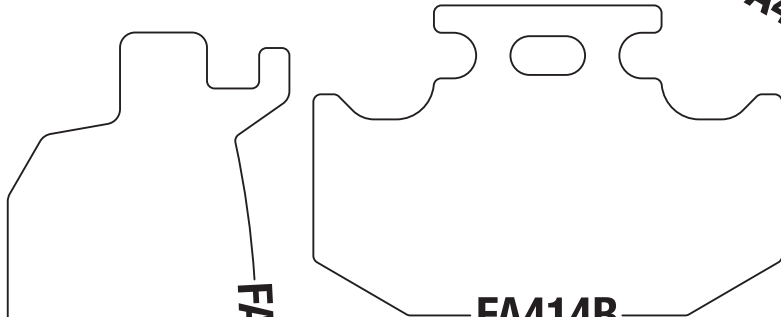
FA413A



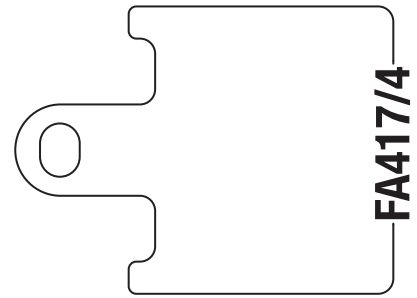
FA413B



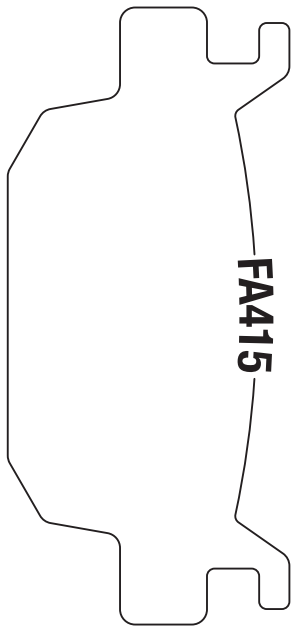
FA414A



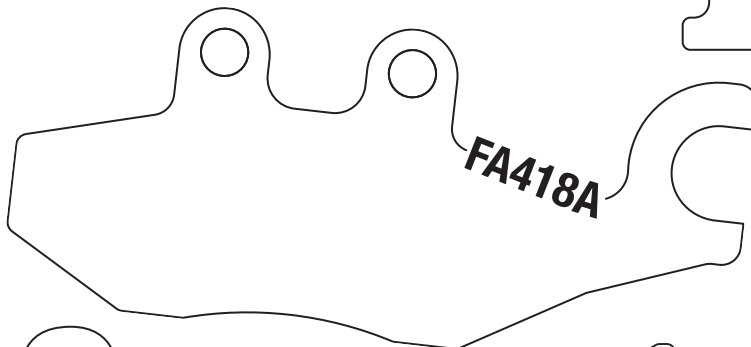
FA414B



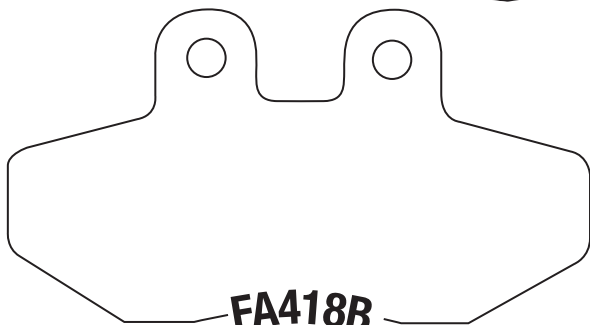
FA417/4



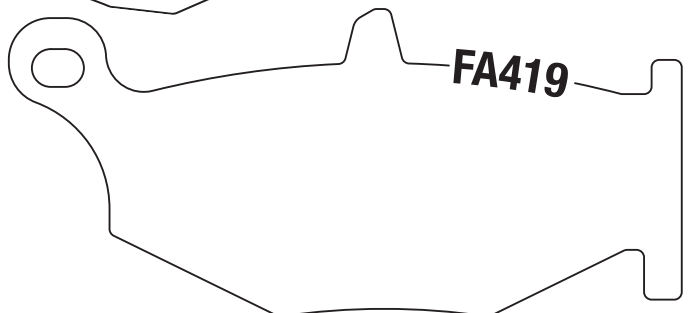
FA415



FA418A

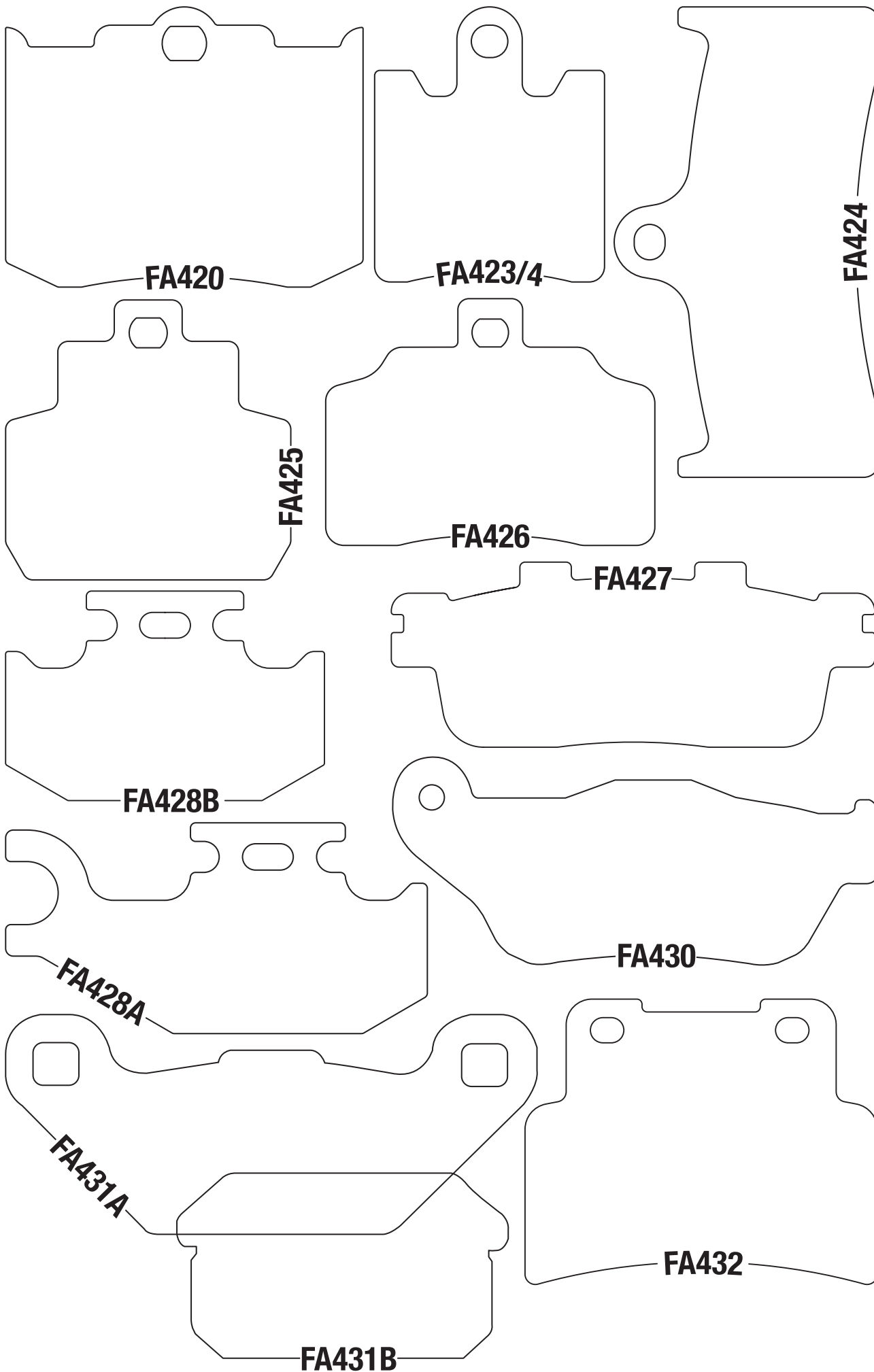


FA418B



FA419

EBC FULL SIZE BRAKE PAD ILLUSTRATION – FA420-FA432



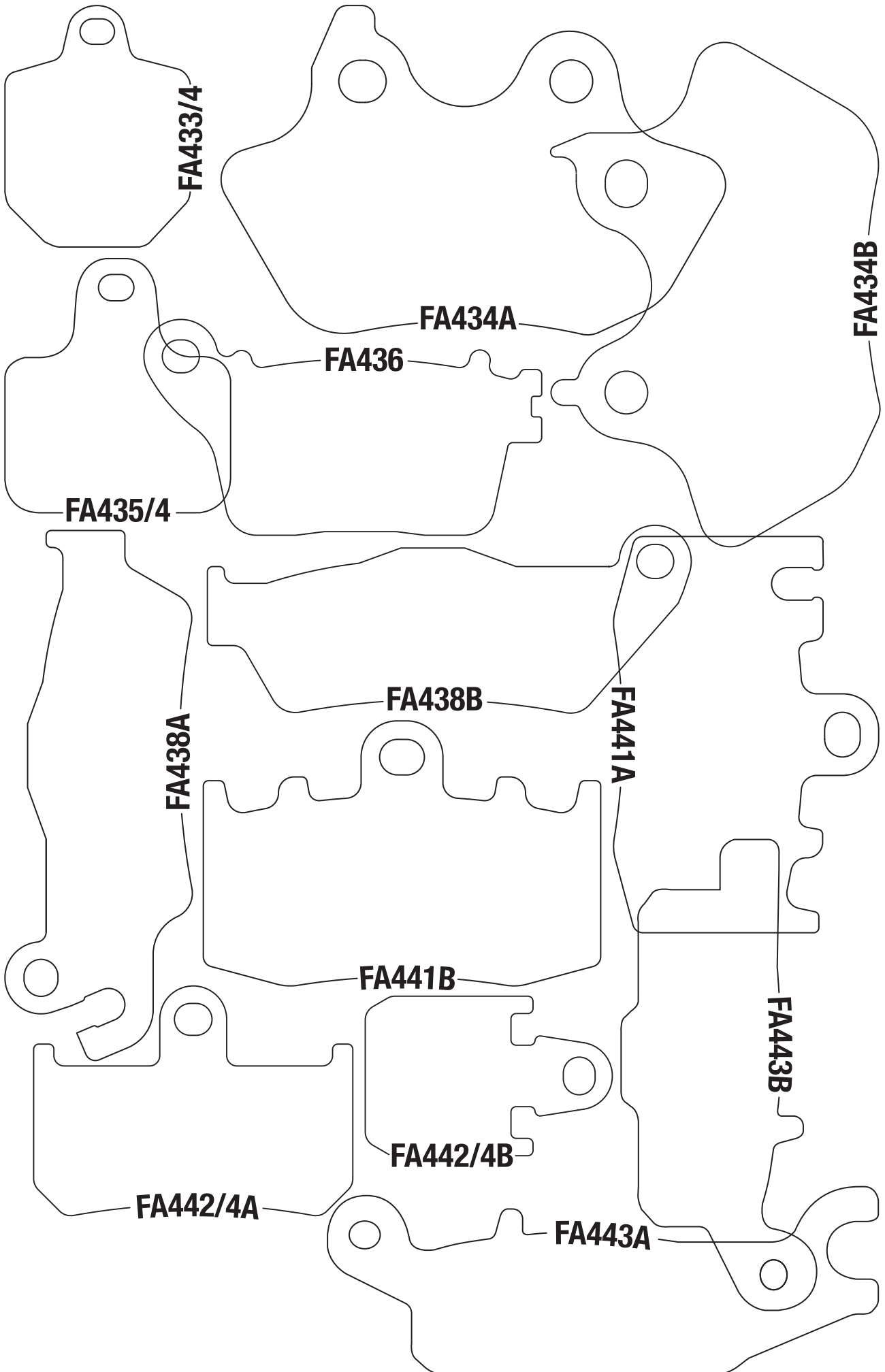
**BRAKE PAD
BUYERS GUIDE**

DO NOT REFIT ANY SHIMS/INSULATORS TO EBC PADS FROM ORIGINAL PADS UNLESS INSTRUCTED ON NOTE ON PAD PACKAGING AND ON FA DRAWING ASSOCIATED WITH THAT PAD.

EBC FULL SIZE BRAKE PAD ILLUSTRATION – FA433/4-FA443

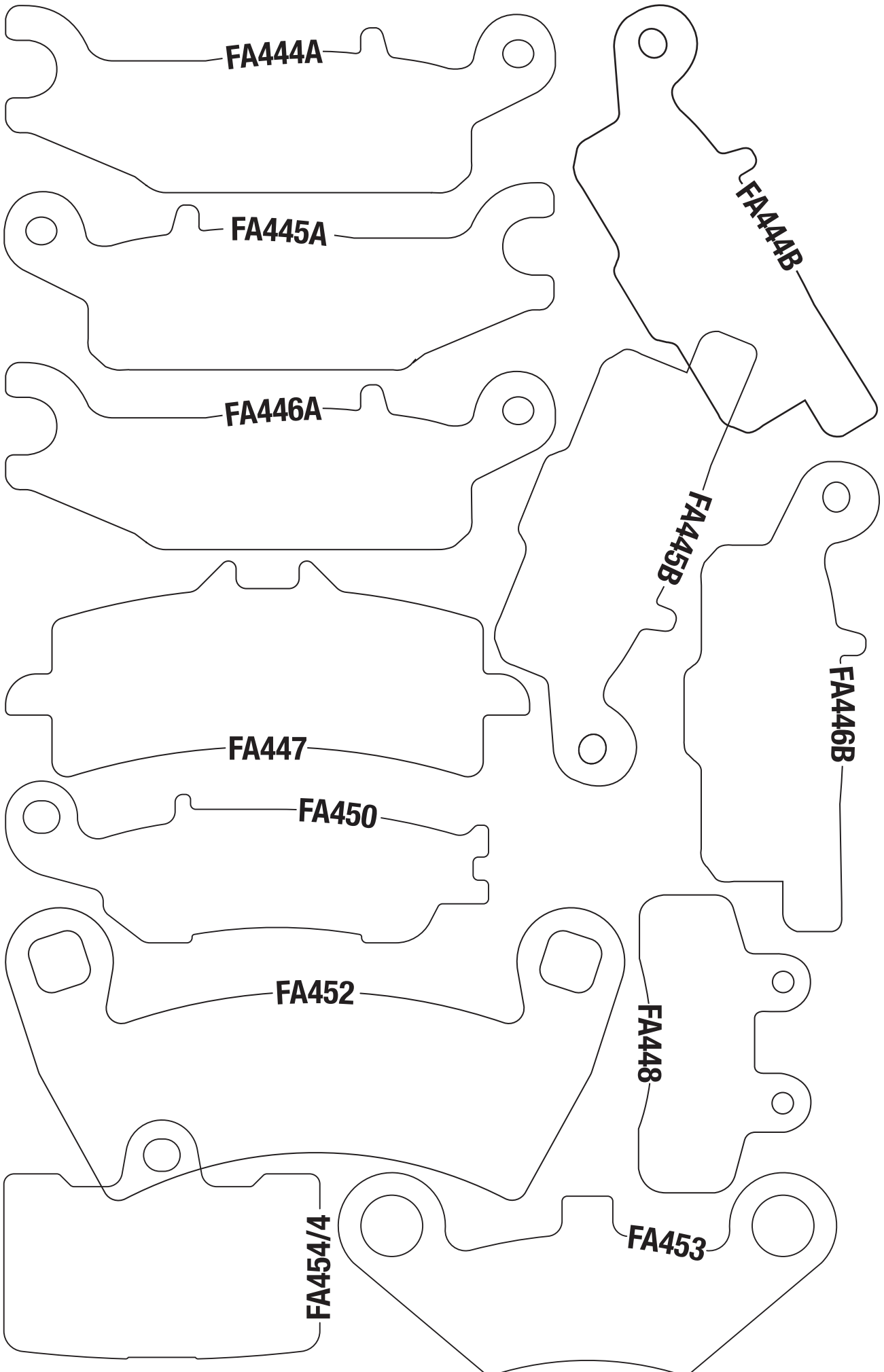
BRAKE PAD
BUYERS GUIDE

DO NOT REFIT ANY SHIMS/INSULATORS TO EBC PADS FROM ORIGINAL PADS UNLESS INSTRUCTED ON NOTE ON PAD PACKAGING AND ON FA DRAWING ASSOCIATED WITH THAT PAD.



EBC FULL SIZE BRAKE PAD ILLUSTRATION – FA444-FA454

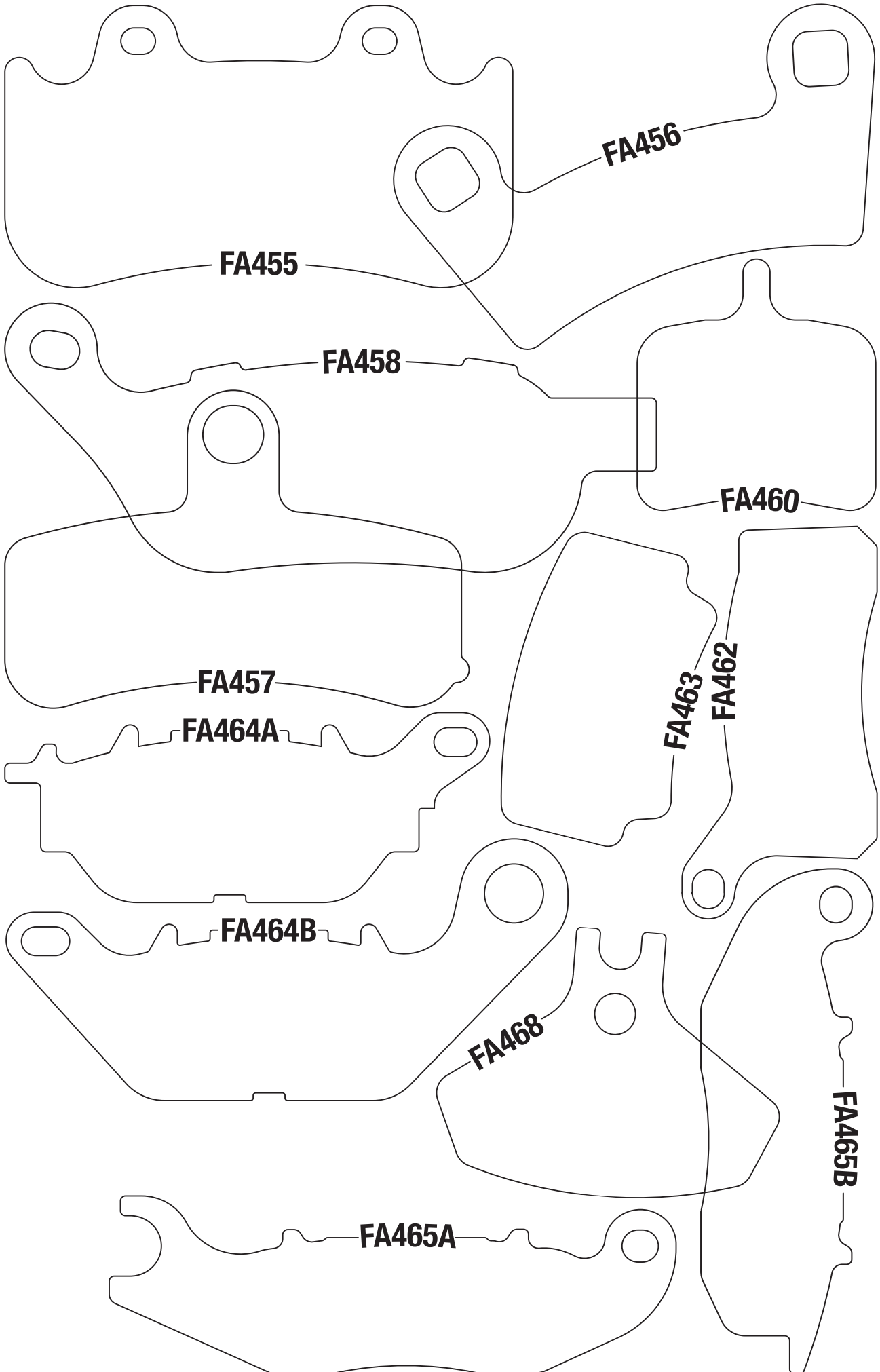
BRAKE PAD
BUYERS GUIDE



DO NOT REFIT ANY SHIMS/INSULATORS TO EBC PADS FROM ORIGINAL PADS UNLESS INSTRUCTED ON NOTE ON PAD PACKAGING AND ON FA DRAWING ASSOCIATED WITH THAT PAD.

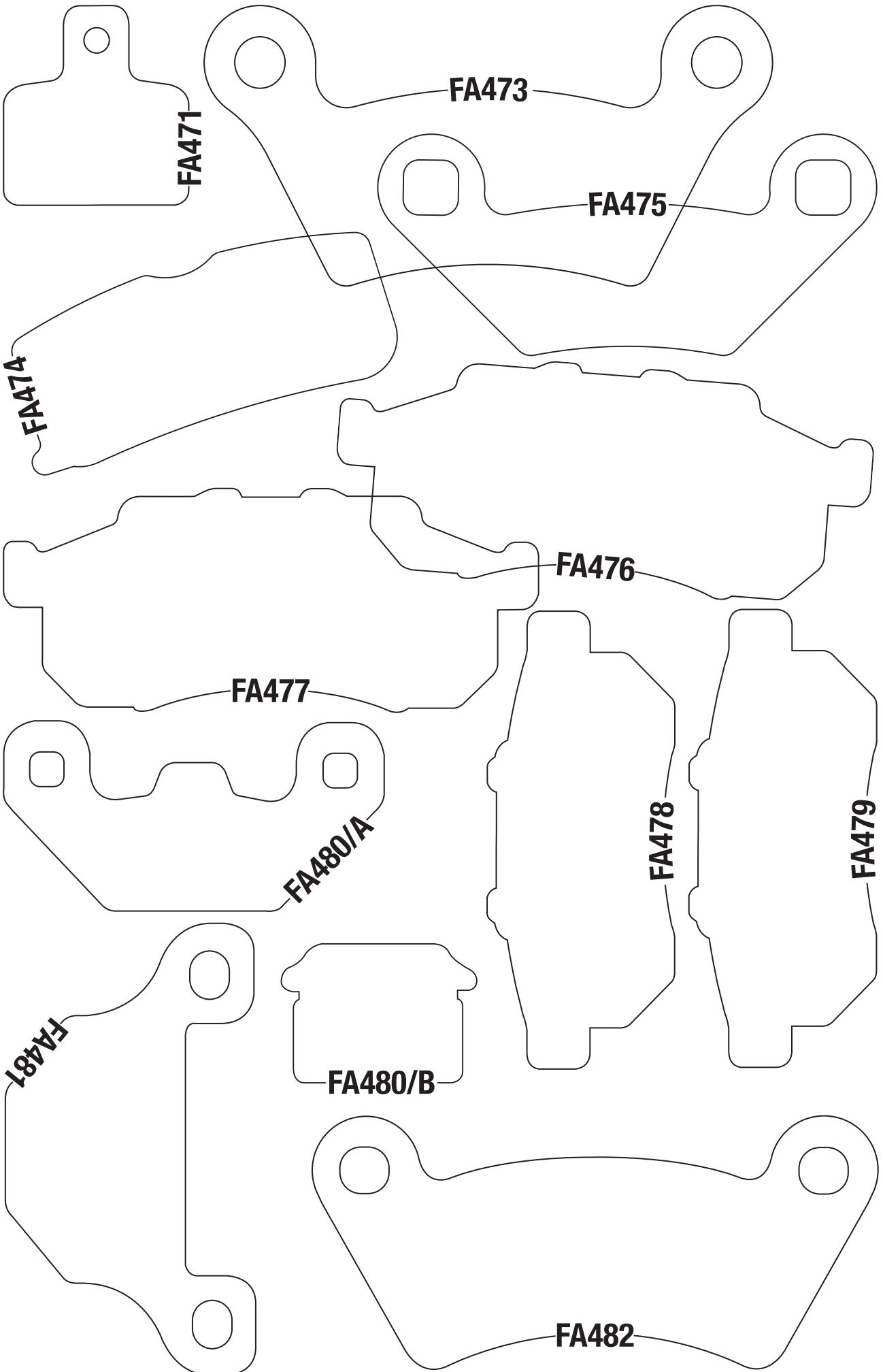
EBC FULL SIZE BRAKE PAD ILLUSTRATION – FA455-FA468

BRAKE PAD
BUYERS GUIDE



DO NOT REFIT ANY SHIMS/INSULATORS TO EBC PADS FROM ORIGINAL PADS UNLESS INSTRUCTED ON NOTE ON PAD PACKAGING AND ON FA DRAWING ASSOCIATED WITH THAT PAD.

EBC FULL SIZE BRAKE PAD ILLUSTRATION – FA471-FA482



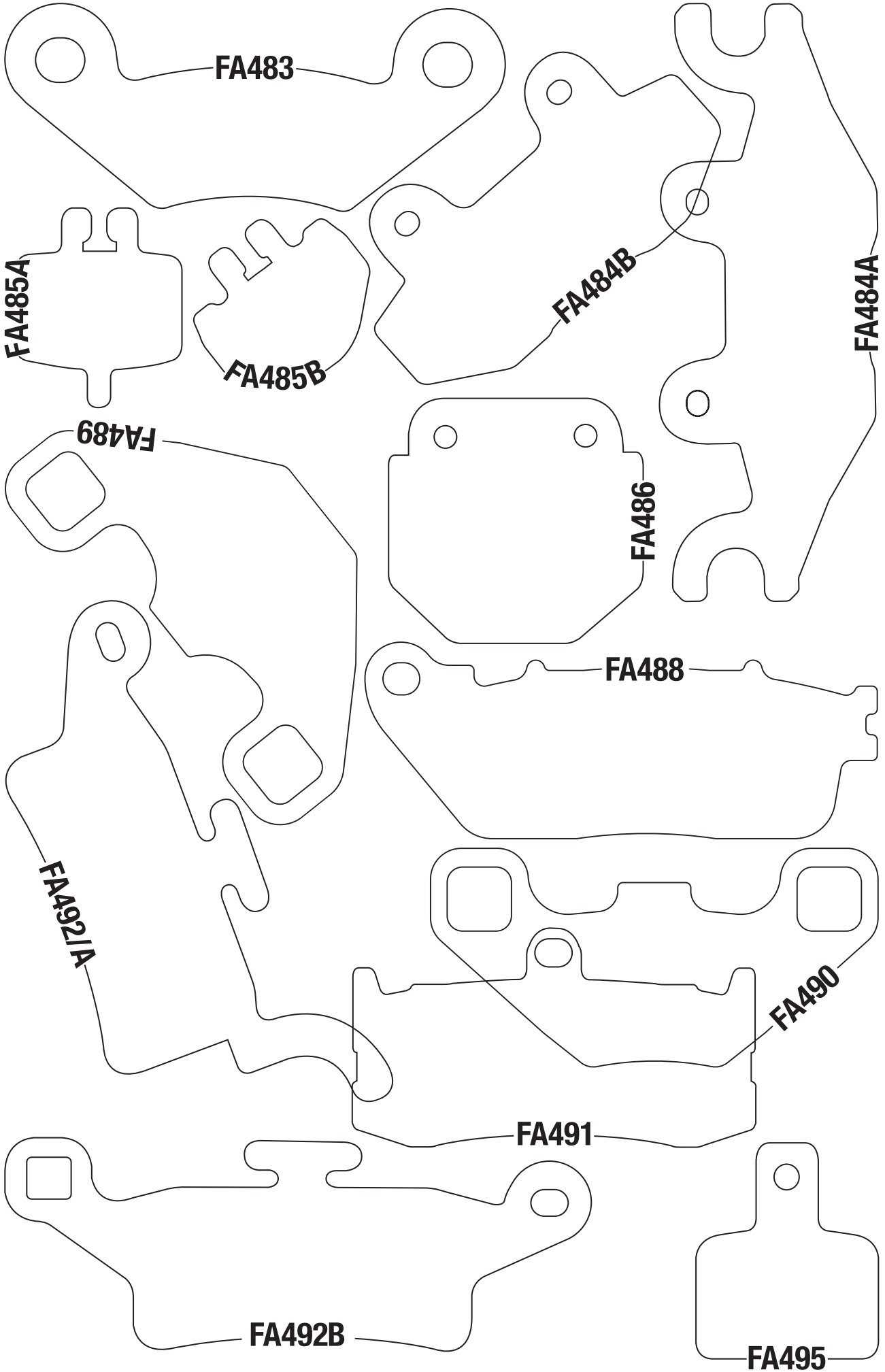
**BRAKE PAD
BUYERS GUIDE**

DO NOT REFIT ANY SHIMS/INSULATORS TO EBC PADS FROM ORIGINAL PADS UNLESS INSTRUCTED ON NOTE ON PAD PACKAGING AND ON FA DRAWING ASSOCIATED WITH THAT PAD.

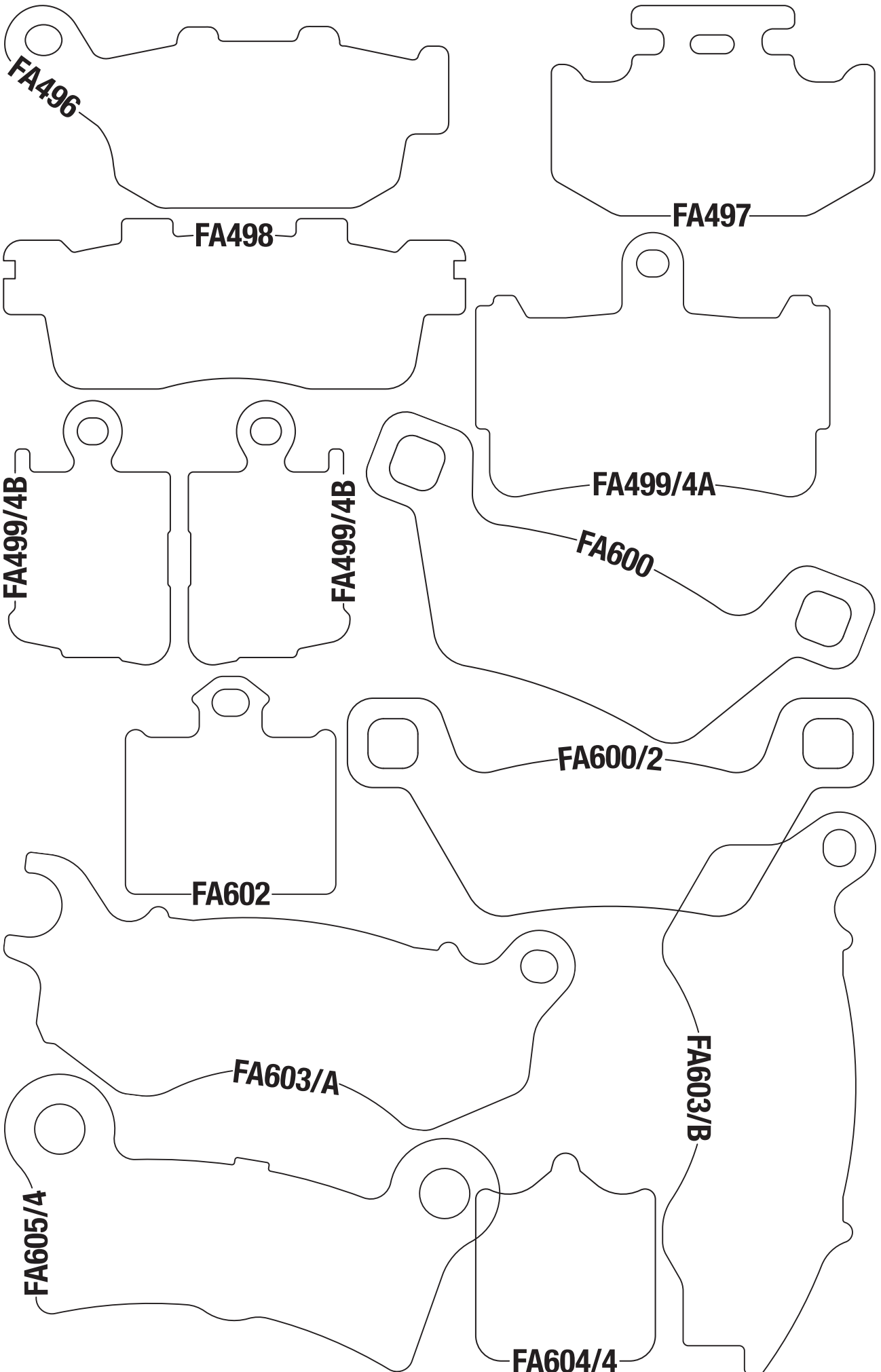
EBC FULL SIZE BRAKE PAD ILLUSTRATION – FA483-FA495

BRAKE PAD
BUYERS GUIDE

DO NOT REFIT ANY SHIMS/INSULATORS TO EBC PADS FROM ORIGINAL PADS UNLESS INSTRUCTED ON NOTE ON PAD PACKAGING AND ON FA DRAWING ASSOCIATED WITH THAT PAD.



EBC FULL SIZE BRAKE PAD ILLUSTRATION – FA496-FA605

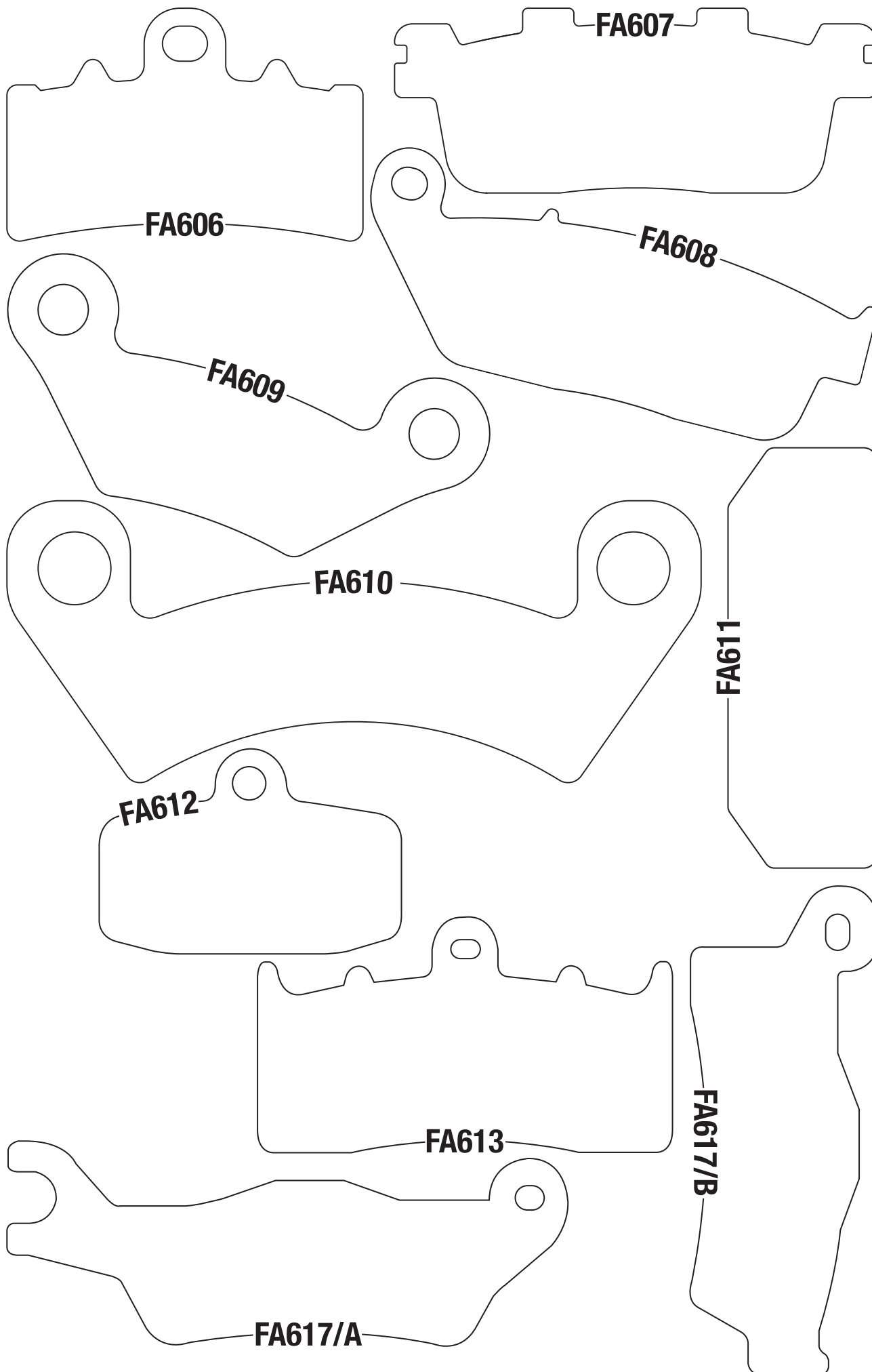


**BRAKE PAD
BUYERS GUIDE**

DO NOT REFIT ANY SHIMS/INSULATORS TO EBC PADS FROM ORIGINAL PADS UNLESS INSTRUCTED ON NOTE ON PAD PACKAGING AND ON FA DRAWING ASSOCIATED WITH THAT PAD.

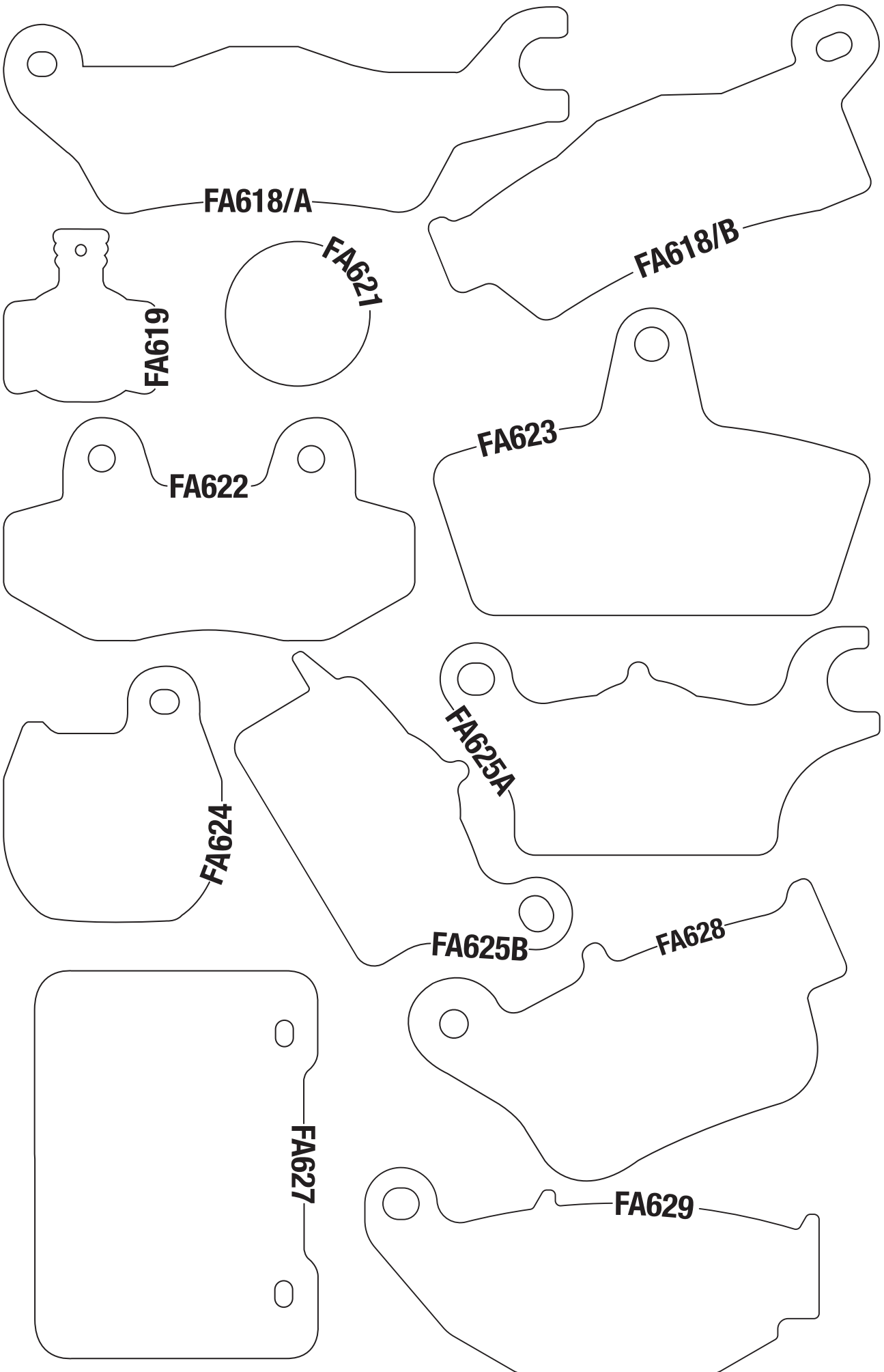
EBC FULL SIZE BRAKE PAD ILLUSTRATION – FA606-FA617

BRAKE PAD
BUYERS GUIDE



DO NOT REFIT ANY SHIMS/INSULATORS TO EBC PADS FROM ORIGINAL PADS UNLESS INSTRUCTED ON NOTE ON PAD PACKAGING AND ON FA DRAWING ASSOCIATED WITH THAT PAD.

EBC FULL SIZE BRAKE PAD ILLUSTRATION – FA618-FA629

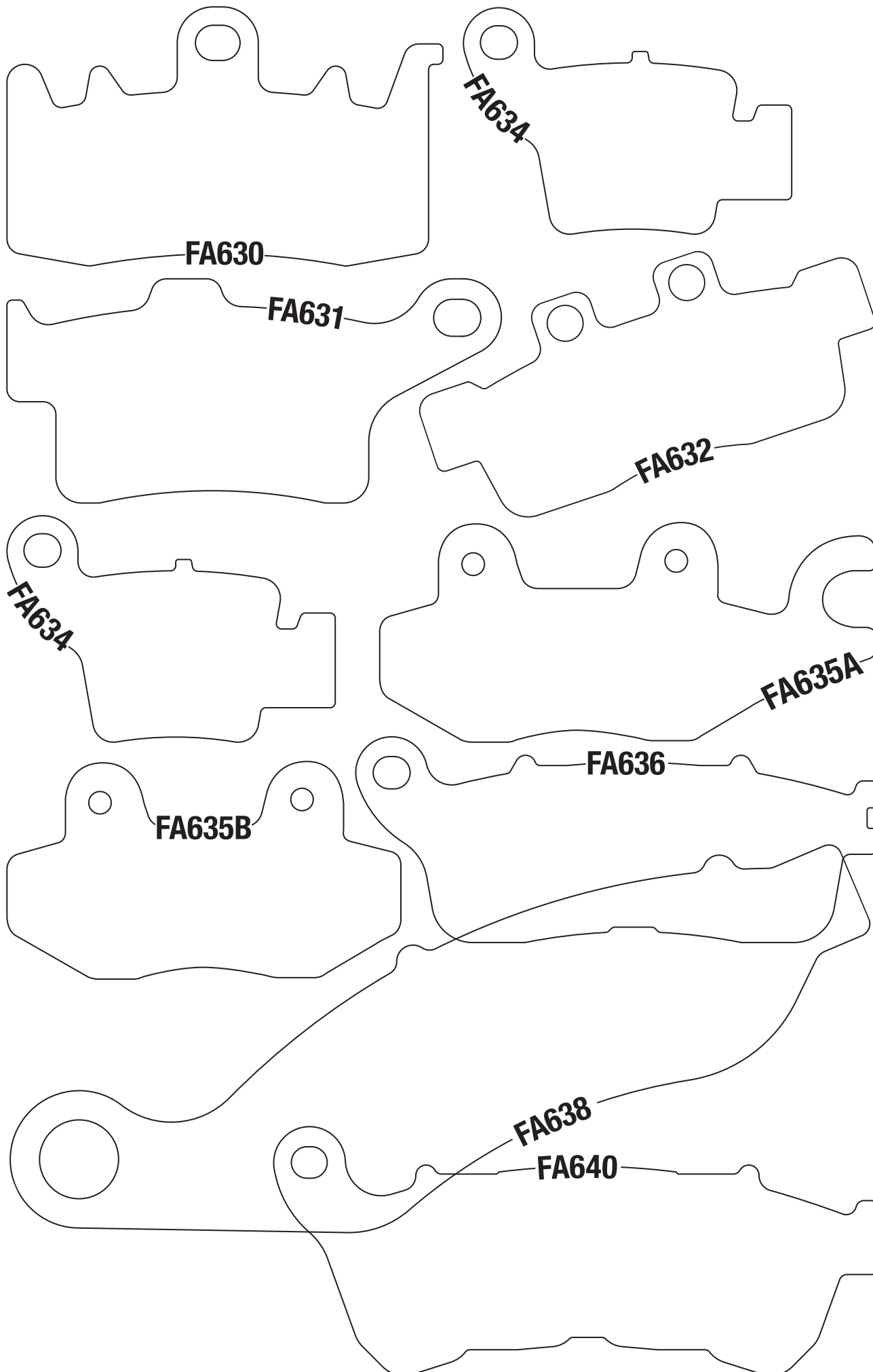


**BRAKE PAD
BUYERS GUIDE**

DO NOT REFIT ANY SHIMS/INSULATORS TO EBC PADS FROM ORIGINAL PADS UNLESS INSTRUCTED ON NOTE ON PAD PACKAGING AND ON FA DRAWING ASSOCIATED WITH THAT PAD.

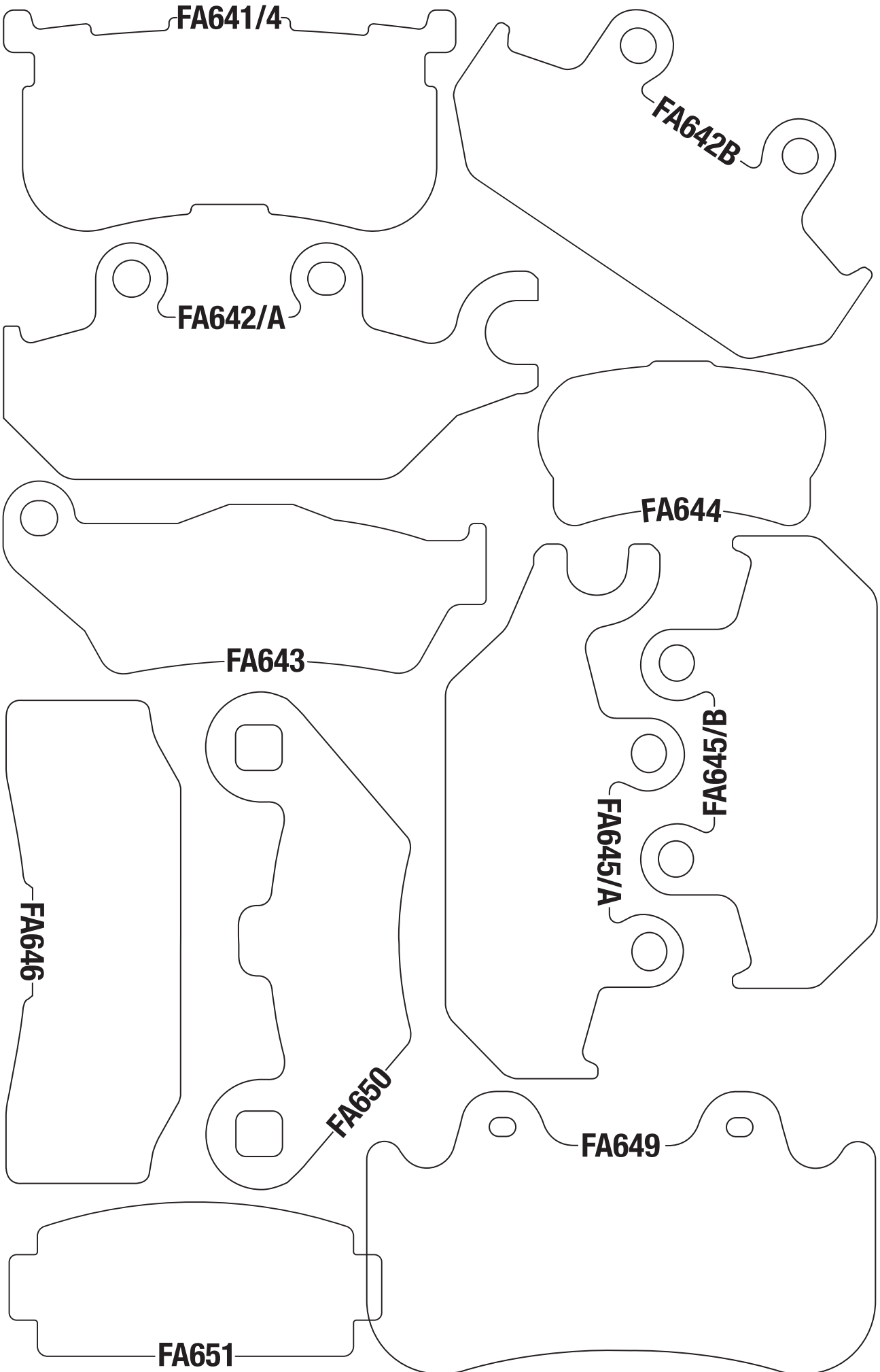
EBC FULL SIZE BRAKE PAD ILLUSTRATION – FA630-FA640

BRAKE PAD
BUYERS GUIDE



DO NOT REFIT ANY SHIMS/INSULATORS TO EBC PADS FROM ORIGINAL PADS UNLESS INSTRUCTED ON NOTE ON PAD PACKAGING AND ON FA DRAWING ASSOCIATED WITH THAT PAD.

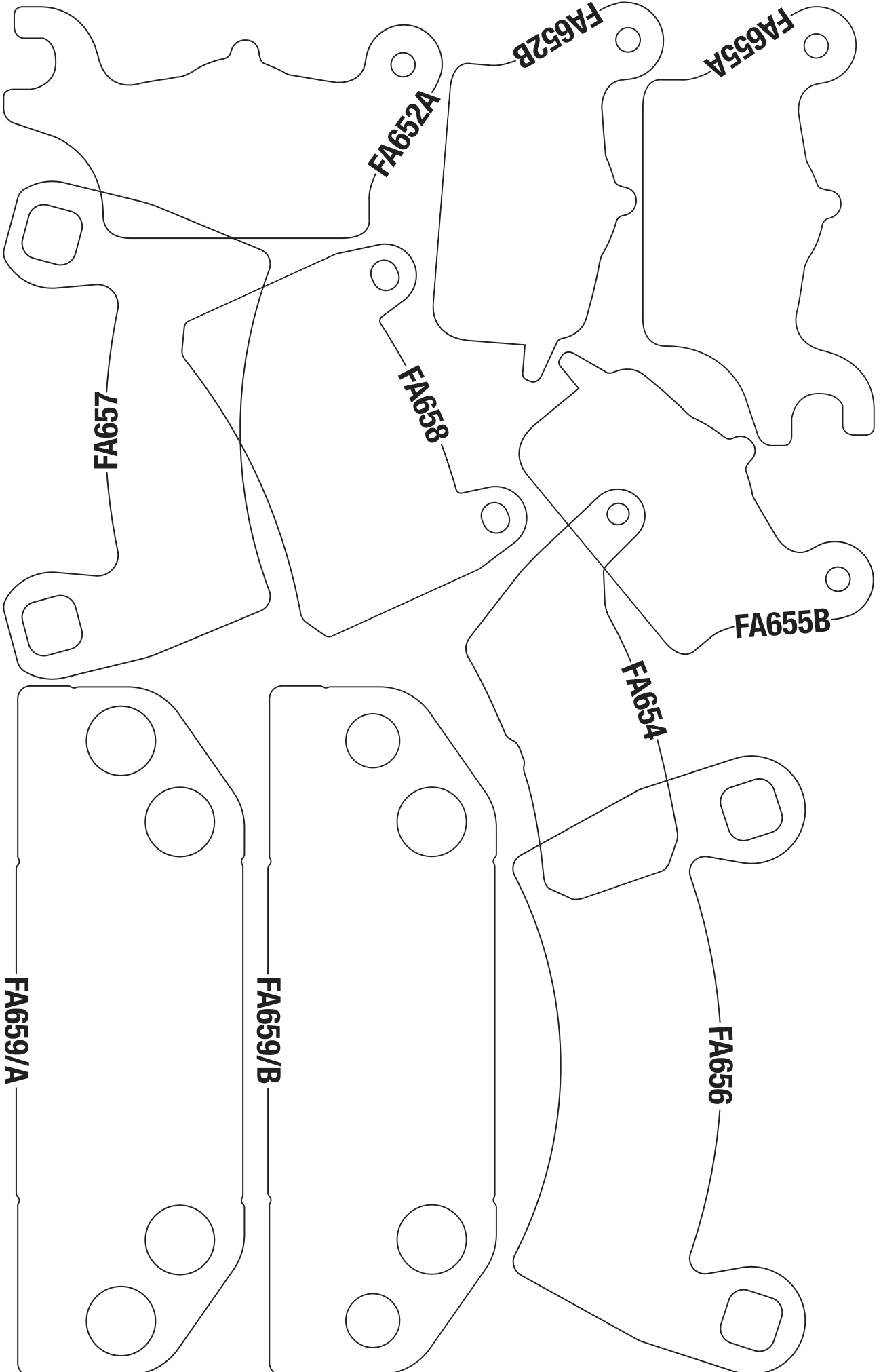
EBC FULL SIZE BRAKE PAD ILLUSTRATION – FA641-FA651



BRAKE PAD
BUYERS GUIDE

DO NOT REFIT ANY SHIMS/INSULATORS TO EBC PADS FROM ORIGINAL PADS UNLESS INSTRUCTED ON NOTE ON PAD PACKAGING AND ON FA DRAWING ASSOCIATED WITH THAT PAD.

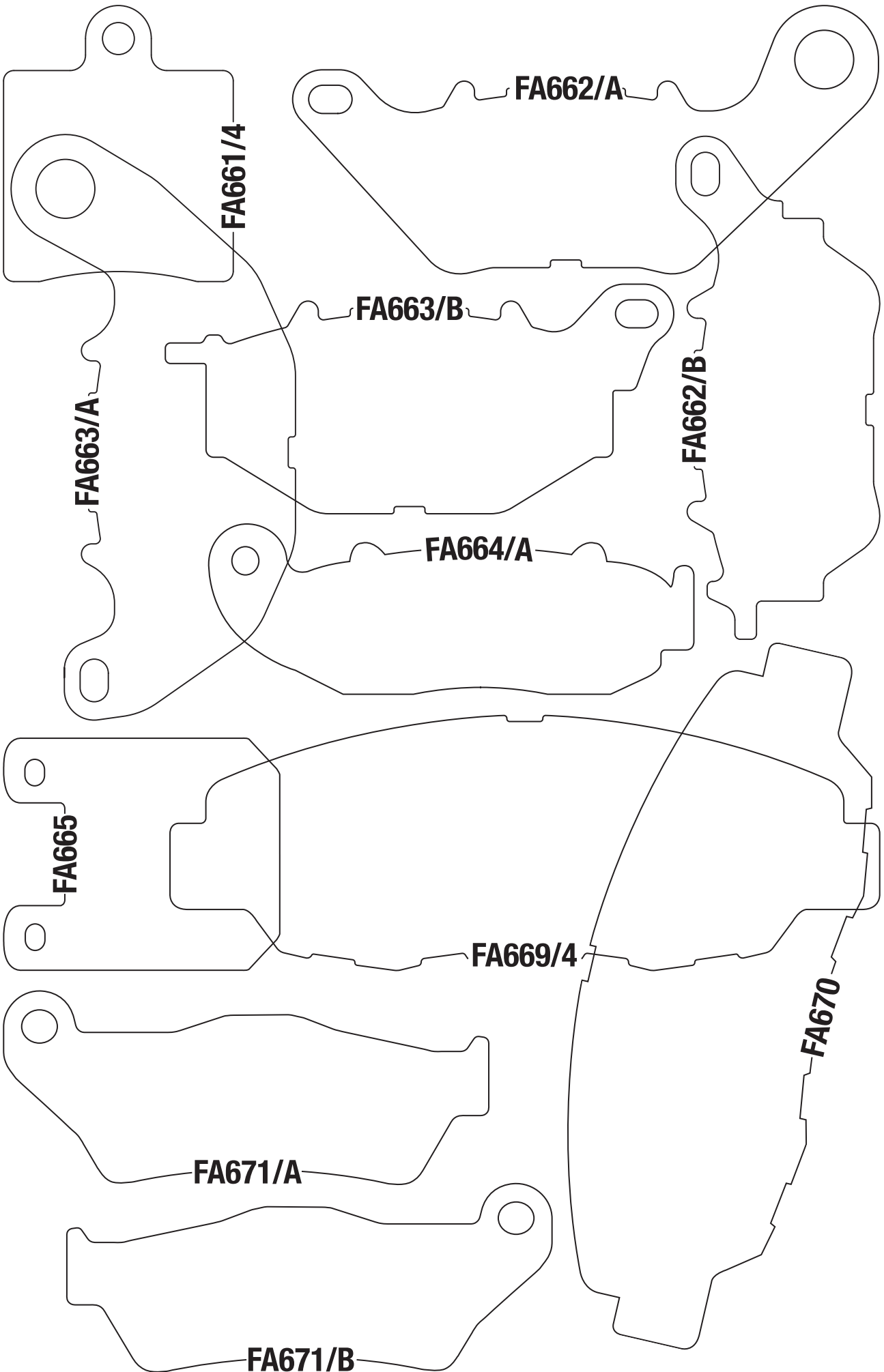
EBC FULL SIZE BRAKE PAD ILLUSTRATION – FA652-FA659



BRAKE PAD
BUYERS GUIDE

DO NOT REFIT ANY SHIMS/INSULATORS TO EBC PADS FROM ORIGINAL PADS UNLESS INSTRUCTED ON NOTE ON PAD PACKAGING AND ON FA DRAWING ASSOCIATED WITH THAT PAD.

EBC FULL SIZE BRAKE PAD ILLUSTRATION – FA661-FA671



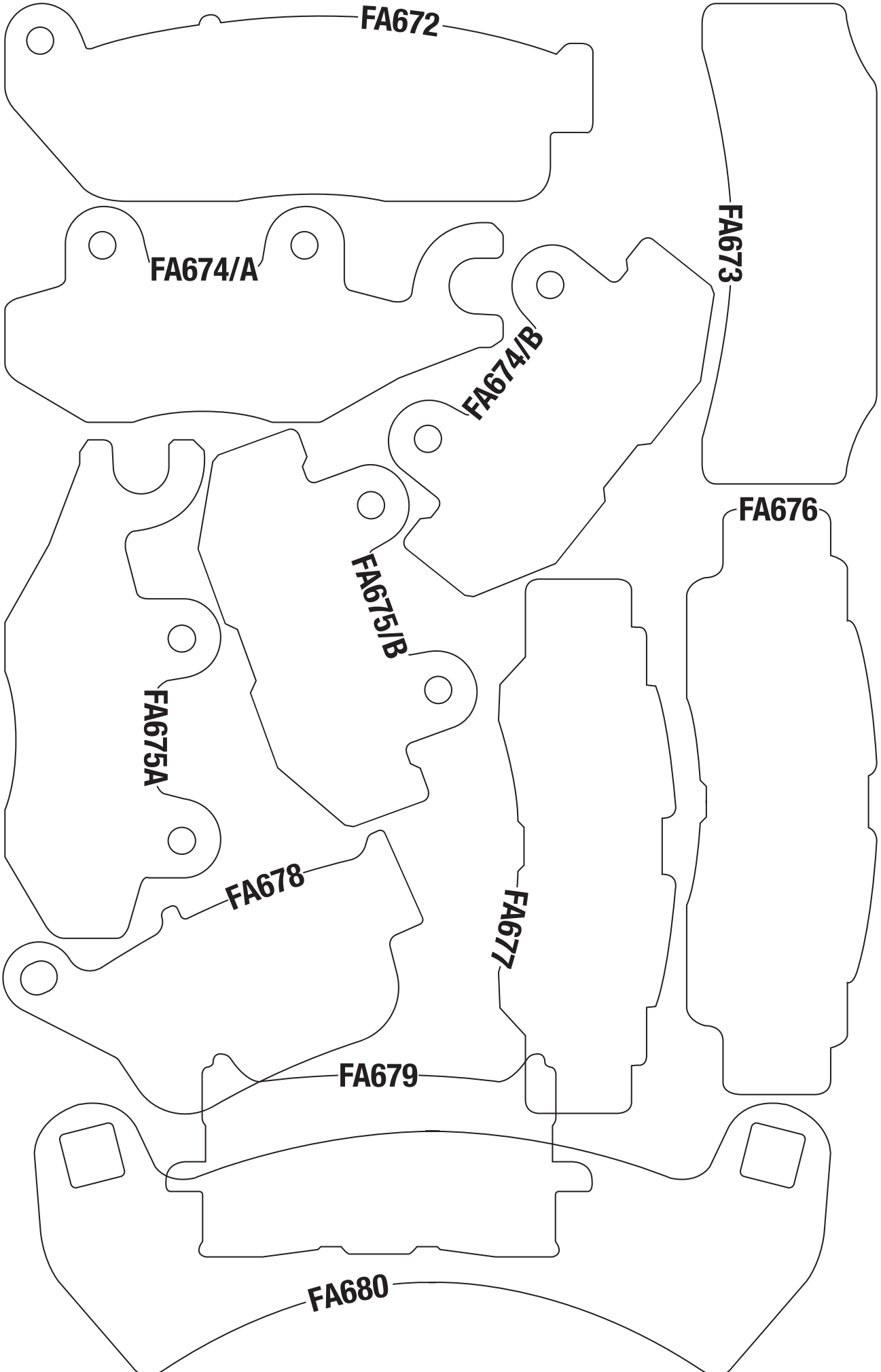
**BRAKE PAD
BUYERS GUIDE**

DO NOT REFIT ANY SHIMS/INSULATORS TO EBC PADS FROM ORIGINAL PADS UNLESS INSTRUCTED ON NOTE ON PAD PACKAGING AND ON FA DRAWING ASSOCIATED WITH THAT PAD.

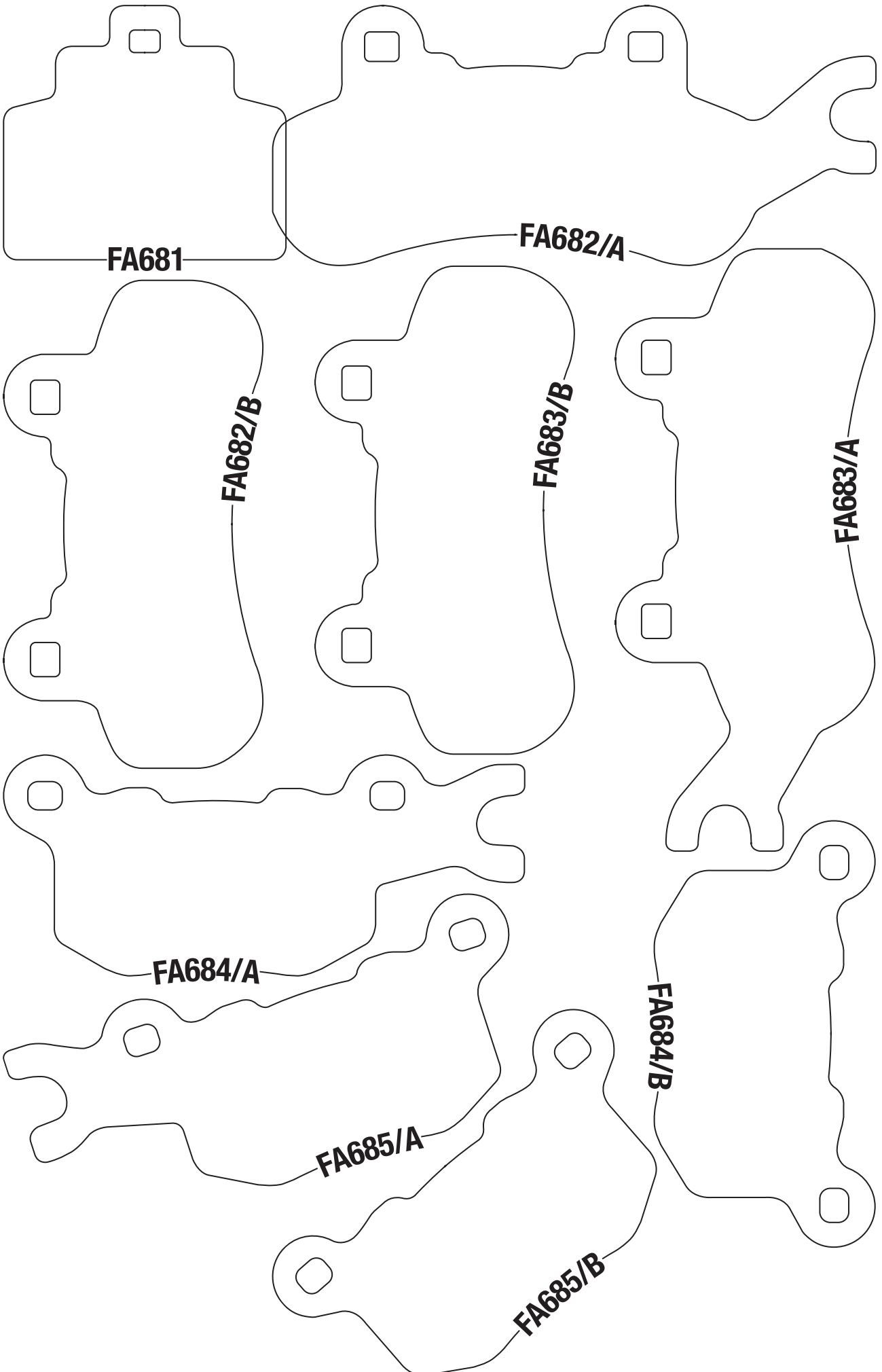
EBC FULL SIZE BRAKE PAD ILLUSTRATION – FA672-FA680

BRAKE PAD
BUYERS GUIDE

DO NOT REFIT ANY SHIMS/INSULATORS TO EBC PADS FROM ORIGINAL PADS UNLESS INSTRUCTED ON NOTE ON PAD PACKAGING AND ON FA DRAWING ASSOCIATED WITH THAT PAD.



EBC FULL SIZE BRAKE PAD ILLUSTRATION – FA681-FA685

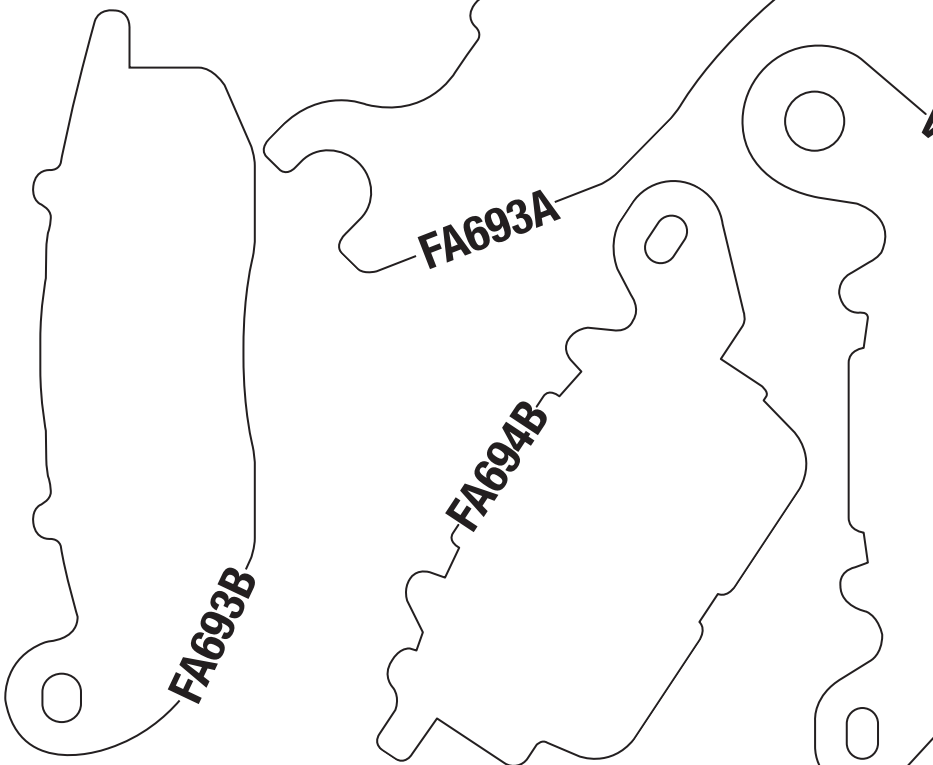
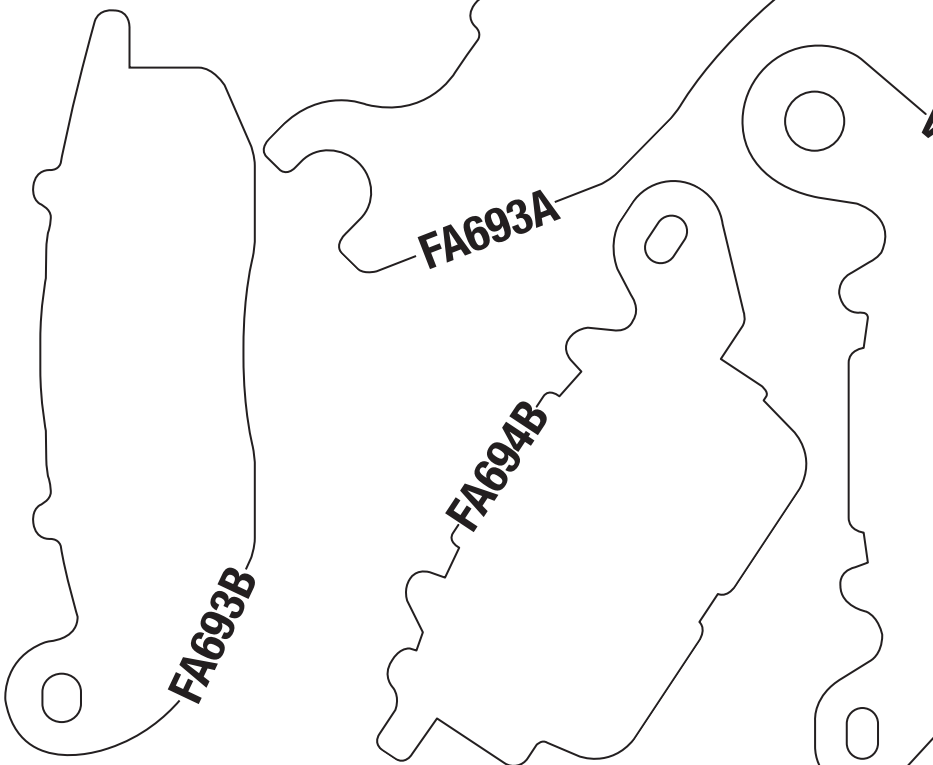
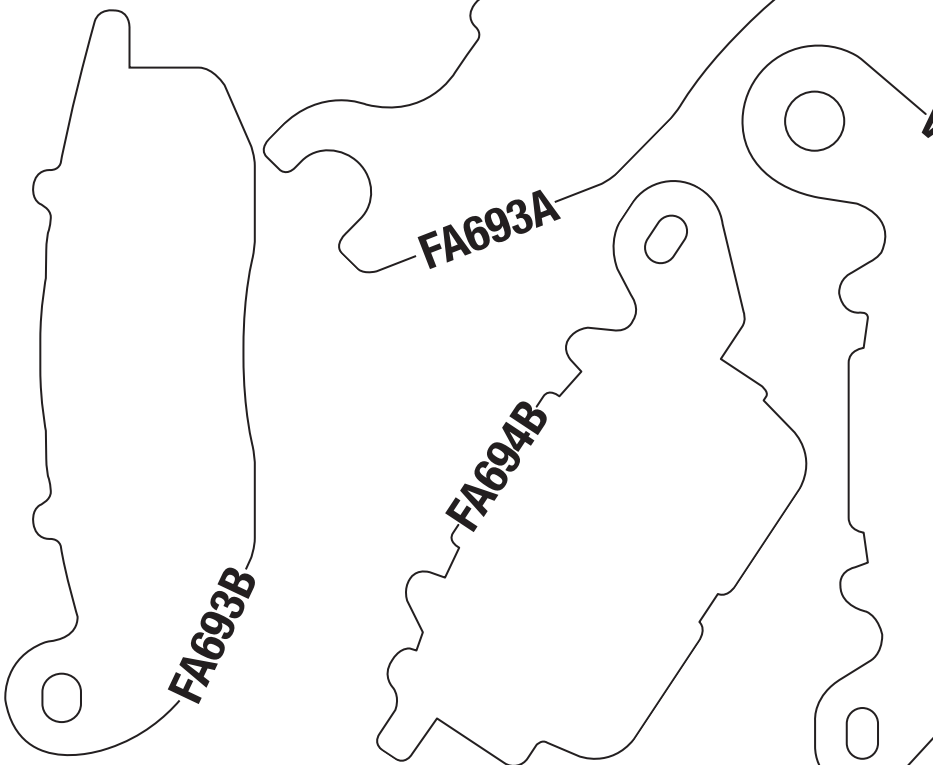
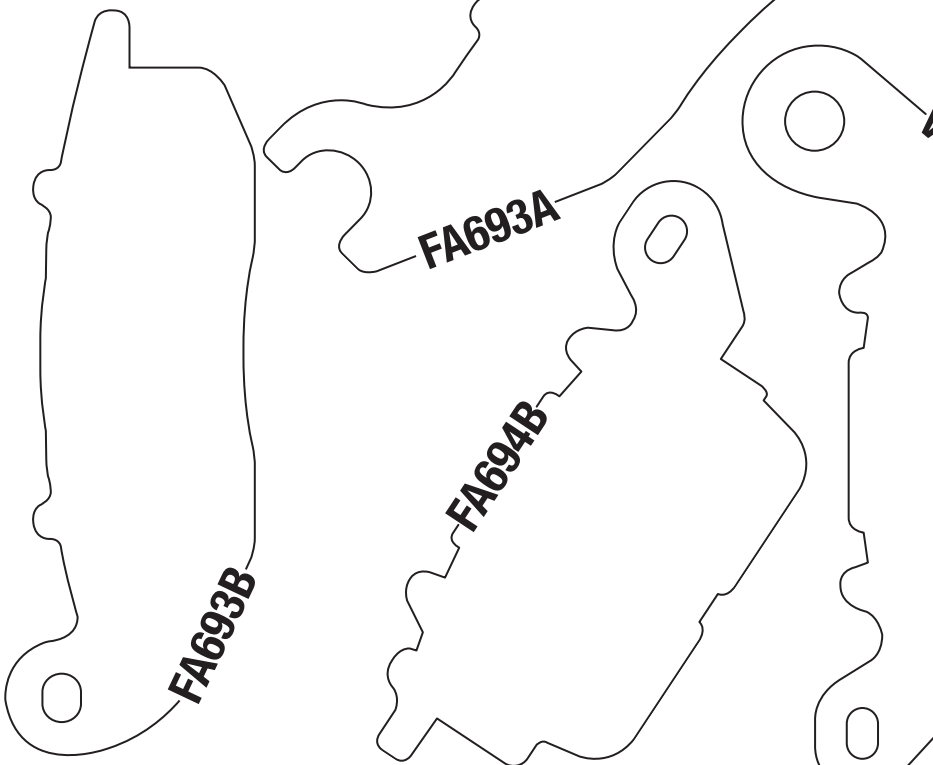
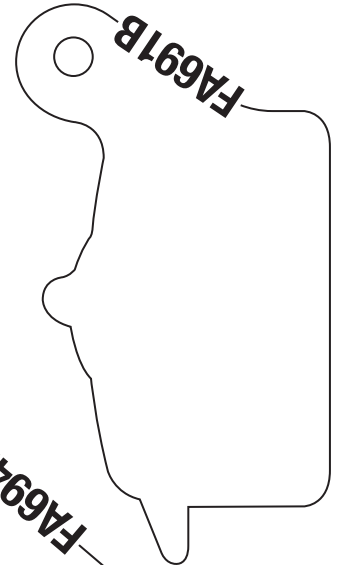
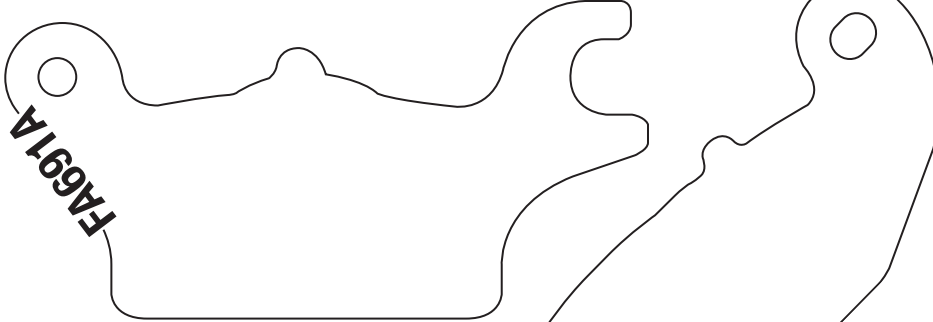
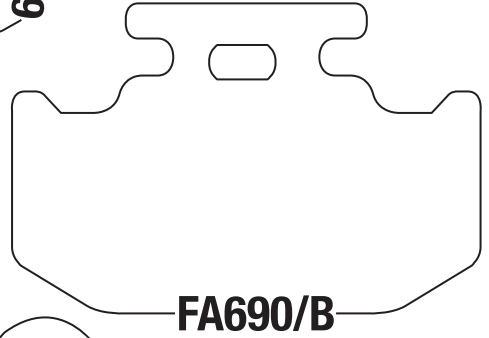
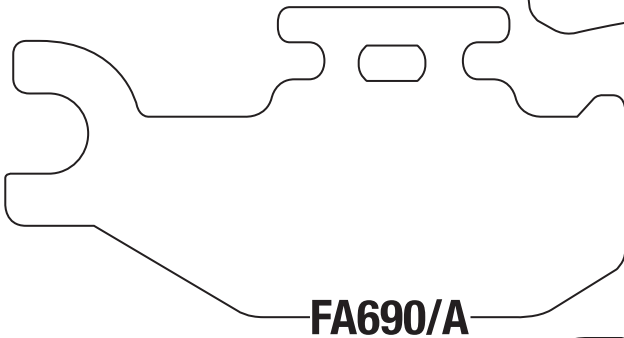
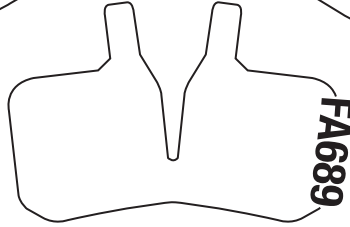
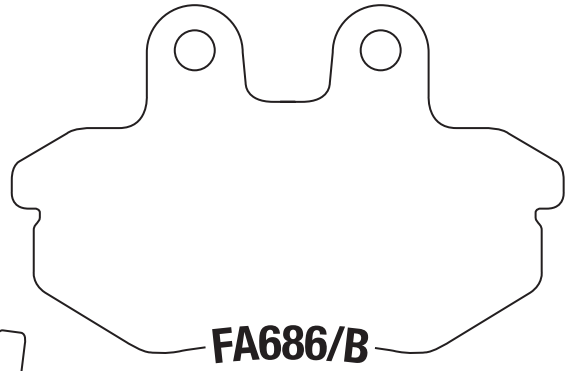
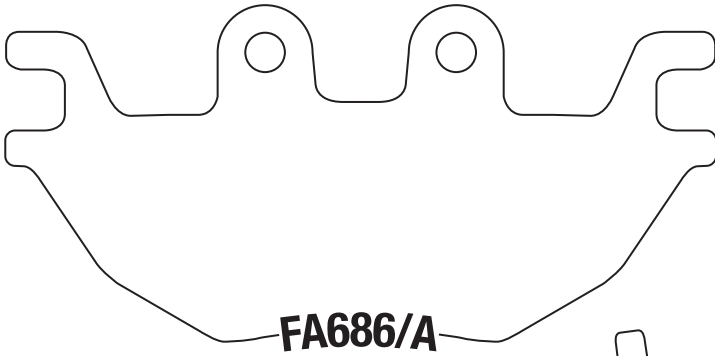


**BRAKE PAD
BUYERS GUIDE**

DO NOT REFIT ANY SHIMS/INSULATORS TO EBC PADS FROM ORIGINAL PADS UNLESS INSTRUCTED ON NOTE ON PAD PACKAGING AND ON FA DRAWING ASSOCIATED WITH THAT PAD.

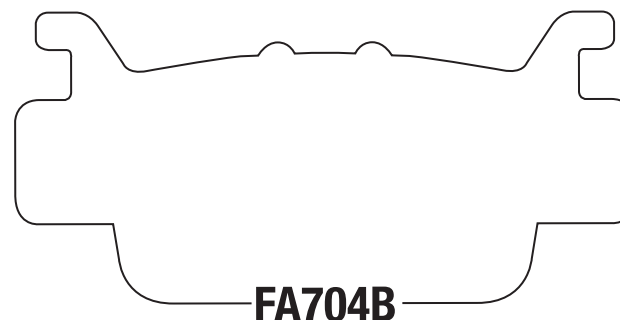
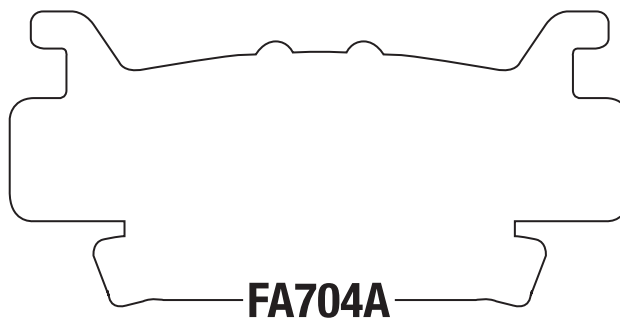
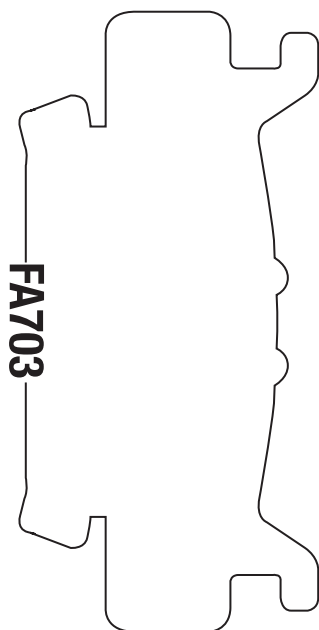
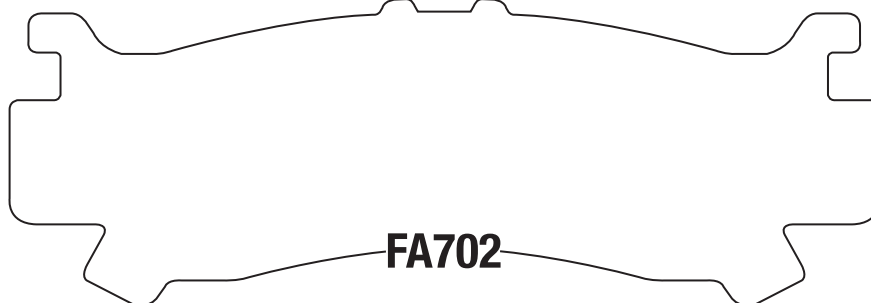
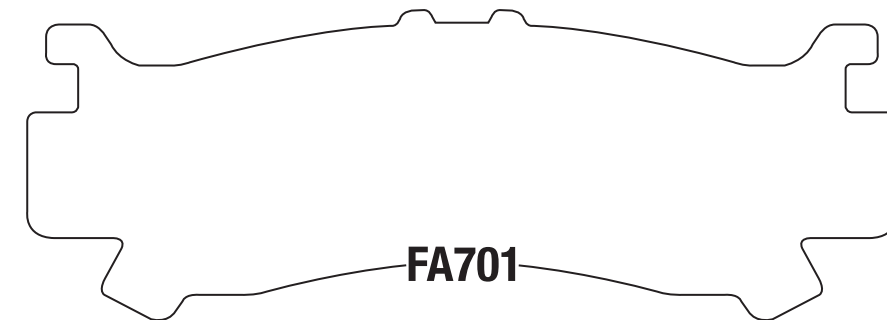
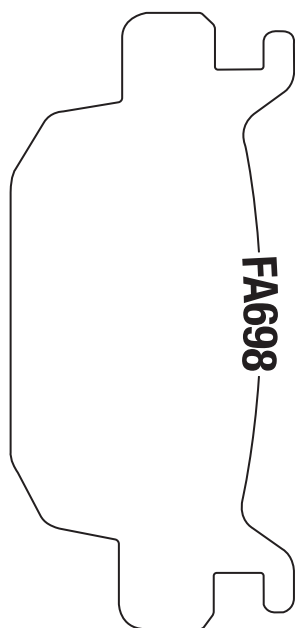
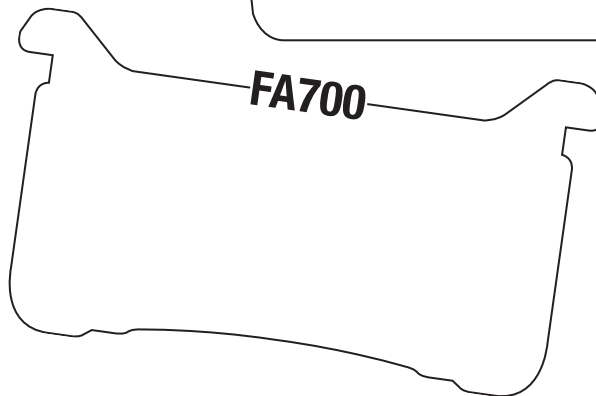
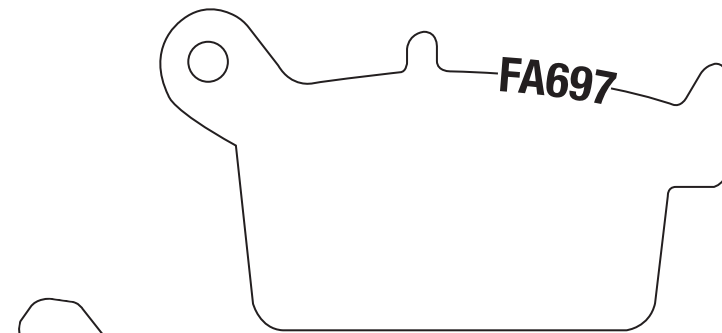
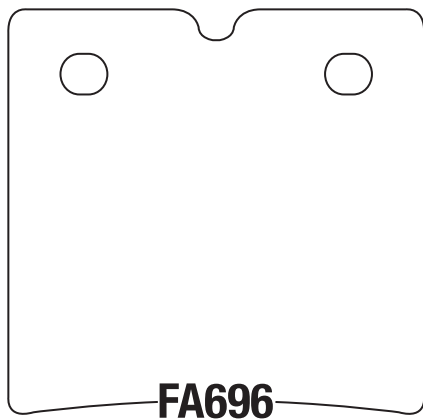
EBC FULL SIZE BRAKE PAD ILLUSTRATION – FA686-FA694

BRAKE PAD
BUYERS GUIDE



DO NOT REFIT ANY SHIMS/INSULATORS TO EBC PADS FROM ORIGINAL PADS UNLESS INSTRUCTED ON NOTE ON PAD PACKAGING AND ON FA DRAWING ASSOCIATED WITH THAT PAD.

EBC FULL SIZE BRAKE PAD ILLUSTRATION – FA696-FA704

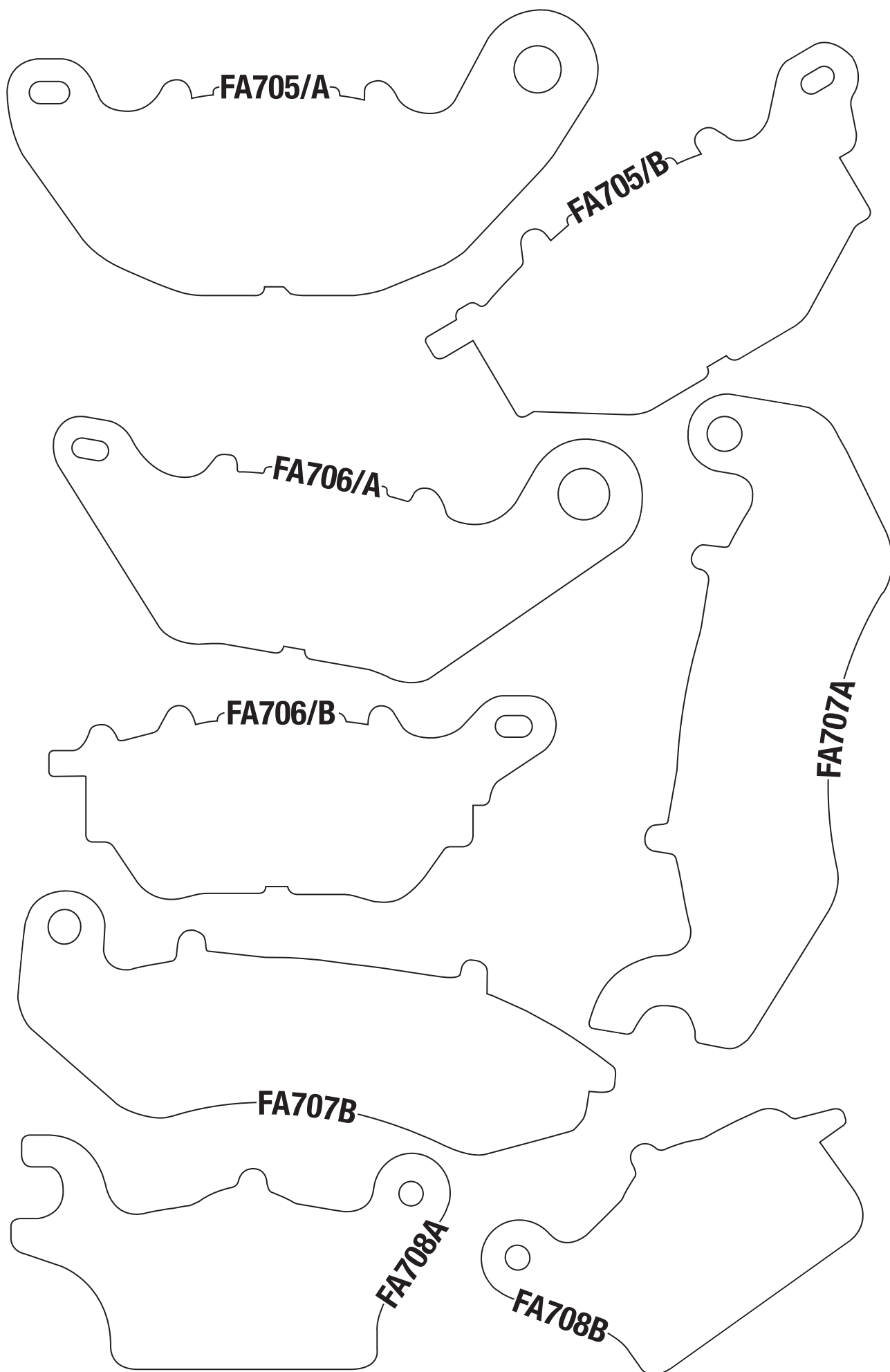


**BRAKE PAD
BUYERS GUIDE**

DO NOT REFIT ANY SHIMS/INSULATORS TO EBC PADS FROM ORIGINAL PADS UNLESS INSTRUCTED ON NOTE ON PAD PACKAGING AND ON FA DRAWING ASSOCIATED WITH THAT PAD.

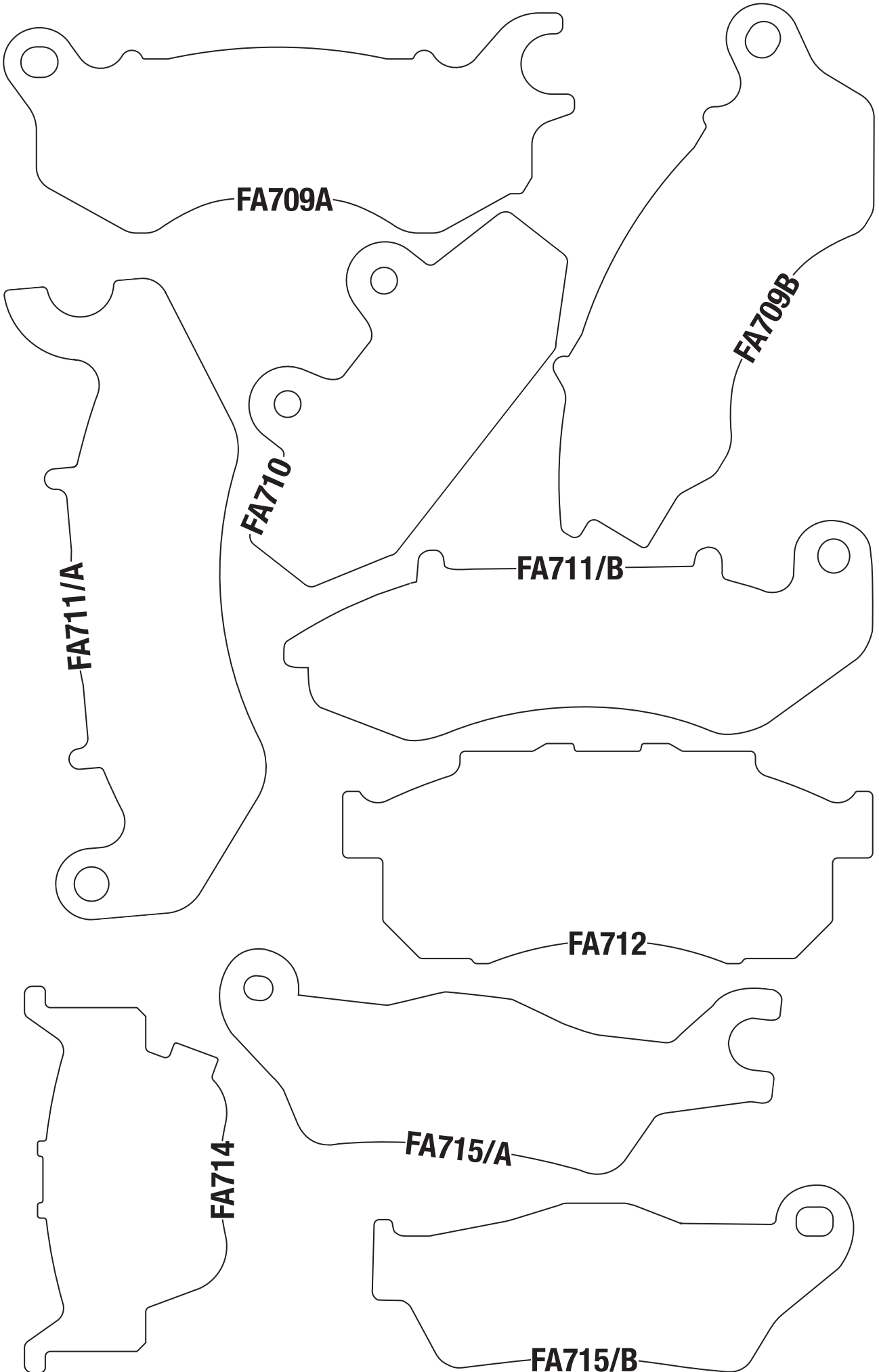
EBC FULL SIZE BRAKE PAD ILLUSTRATION – FA705-FA708

BRAKE PAD
BUYERS GUIDE



DO NOT REFIT ANY SHIMS/INSULATORS TO EBC PADS FROM ORIGINAL PADS UNLESS INSTRUCTED ON NOTE ON PAD PACKAGING AND ON FA DRAWING ASSOCIATED WITH THAT PAD.

EBC FULL SIZE BRAKE PAD ILLUSTRATION – FA709-FA715



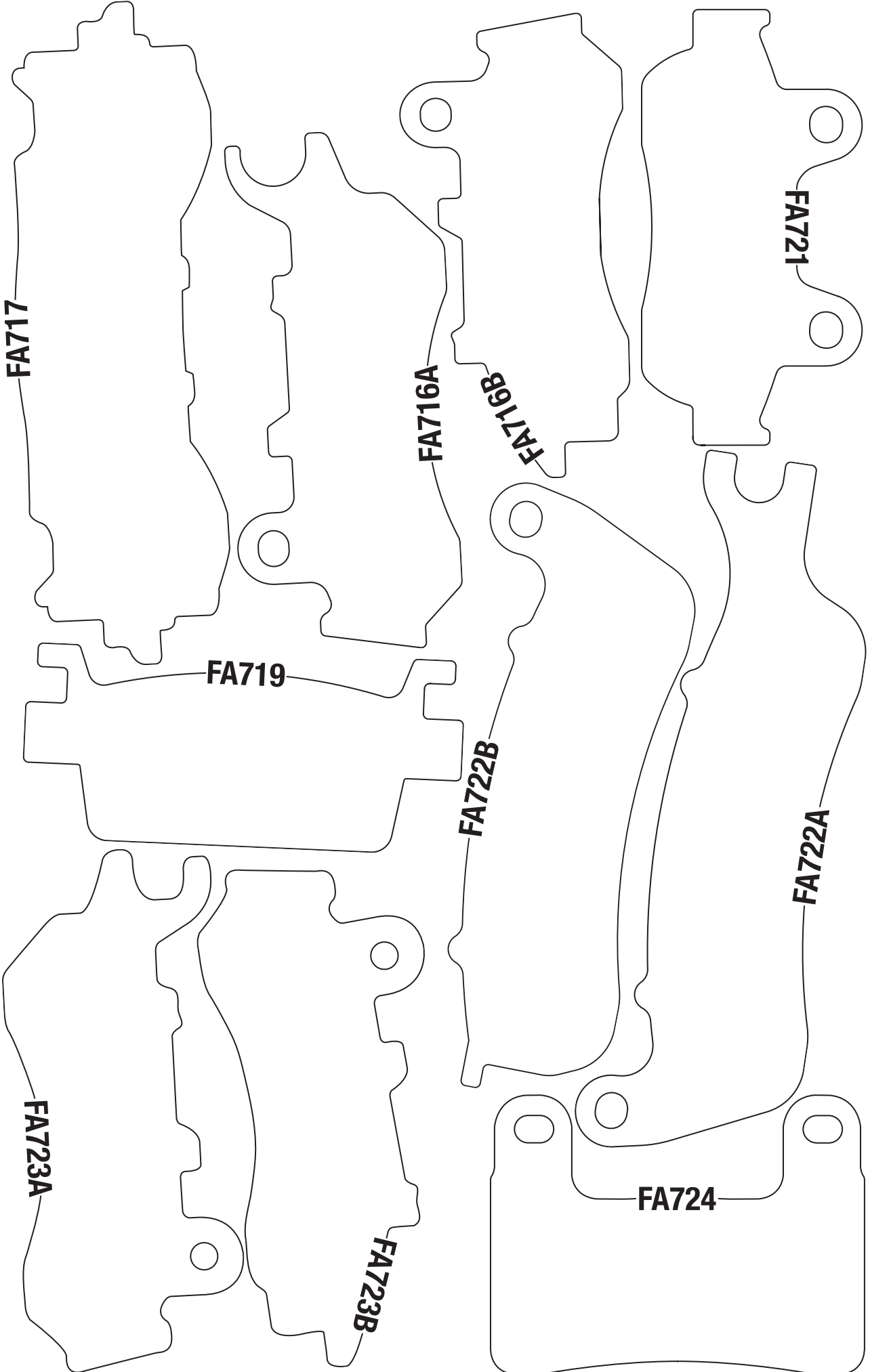
**BRAKE PAD
BUYERS GUIDE**

DO NOT REFIT ANY SHIMS/INSULATORS TO EBC PADS FROM ORIGINAL PADS UNLESS INSTRUCTED ON NOTE ON PAD PACKAGING AND ON FA DRAWING ASSOCIATED WITH THAT PAD.

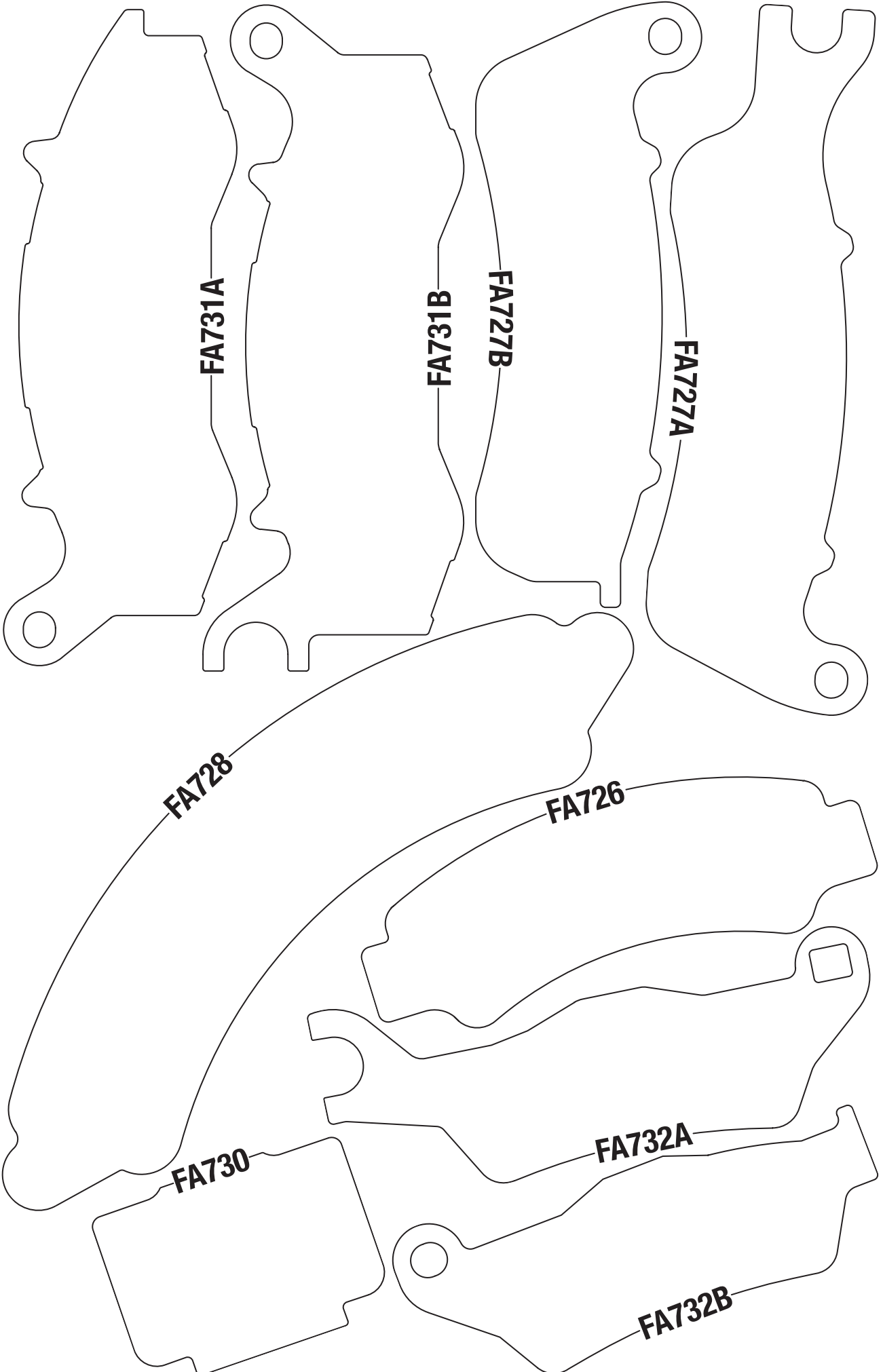
EBC FULL SIZE BRAKE PAD ILLUSTRATION – FA716-FA724

BRAKE PAD
BUYERS GUIDE

DO NOT REFIT ANY SHIMS/INSULATORS TO EBC PADS FROM ORIGINAL PADS UNLESS INSTRUCTED ON NOTE ON PAD PACKAGING AND ON FA DRAWING ASSOCIATED WITH THAT PAD.



EBC FULL SIZE BRAKE PAD ILLUSTRATION – FA726-FA732



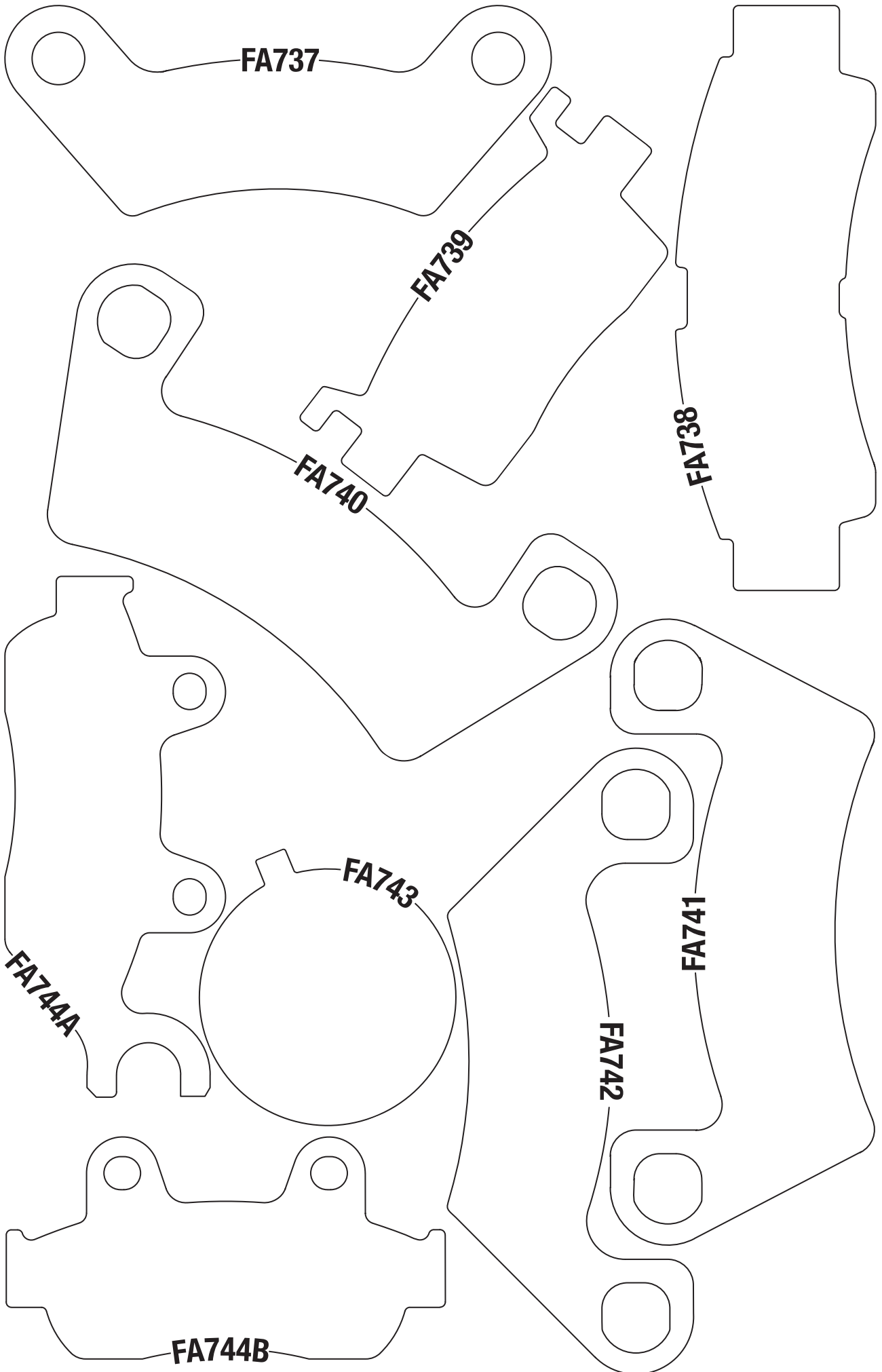
**BRAKE PAD
BUYERS GUIDE**

DO NOT REFIT ANY SHIMS/INSULATORS TO EBC PADS FROM ORIGINAL PADS UNLESS INSTRUCTED ON NOTE ON PAD PACKAGING AND ON FA DRAWING ASSOCIATED WITH THAT PAD.

EBC FULL SIZE BRAKE PAD ILLUSTRATION – FA737-FA744

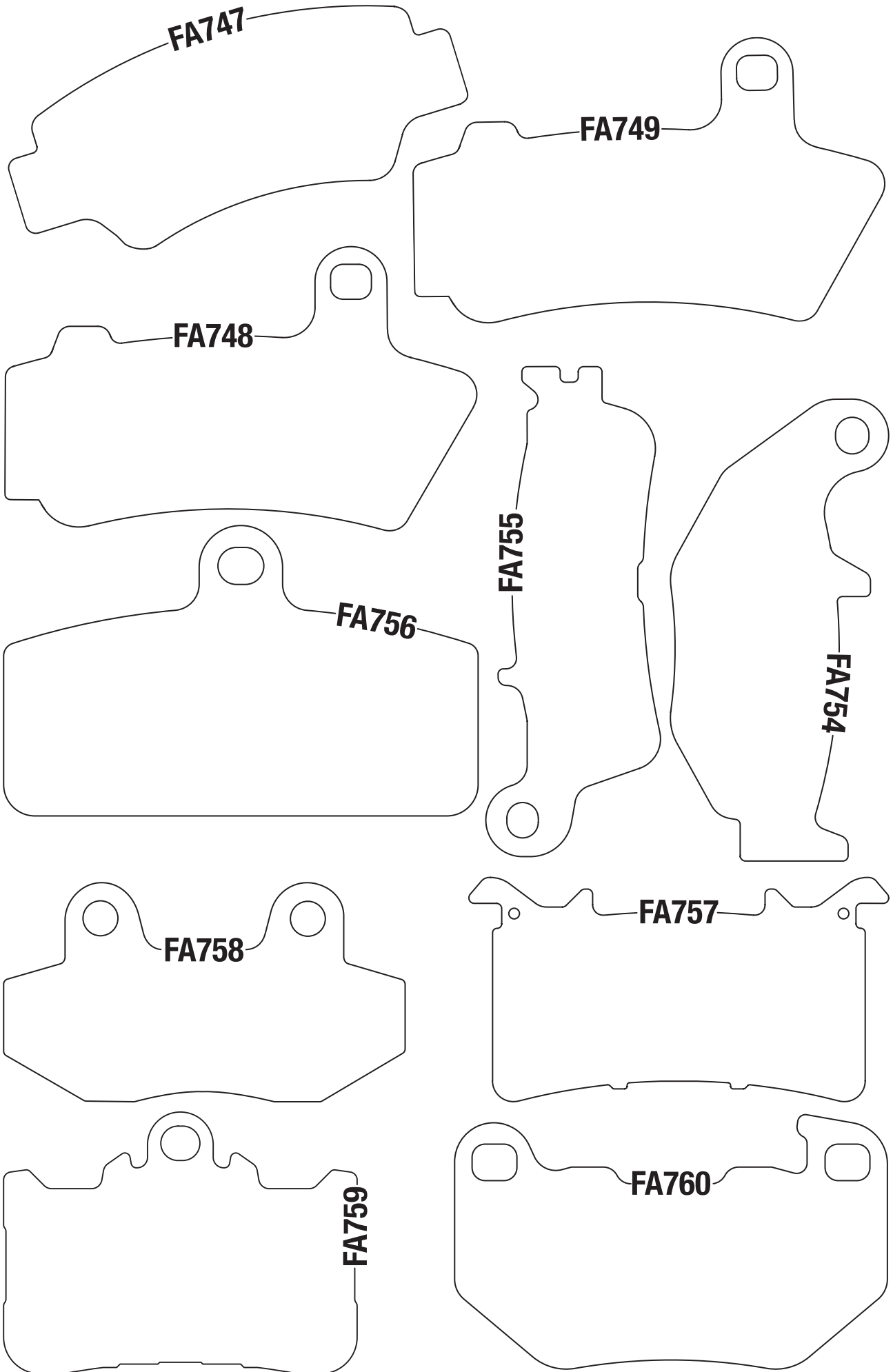
BRAKE PAD
BUYERS GUIDE

DO NOT REFIT ANY SHIMS/INSULATORS TO EBC PADS FROM ORIGINAL PADS UNLESS INSTRUCTED ON NOTE ON PAD PACKAGING AND ON FA DRAWING ASSOCIATED WITH THAT PAD.



EBC FULL SIZE BRAKE PAD ILLUSTRATION – FA747-FA760

BRAKE PAD
BUYERS GUIDE

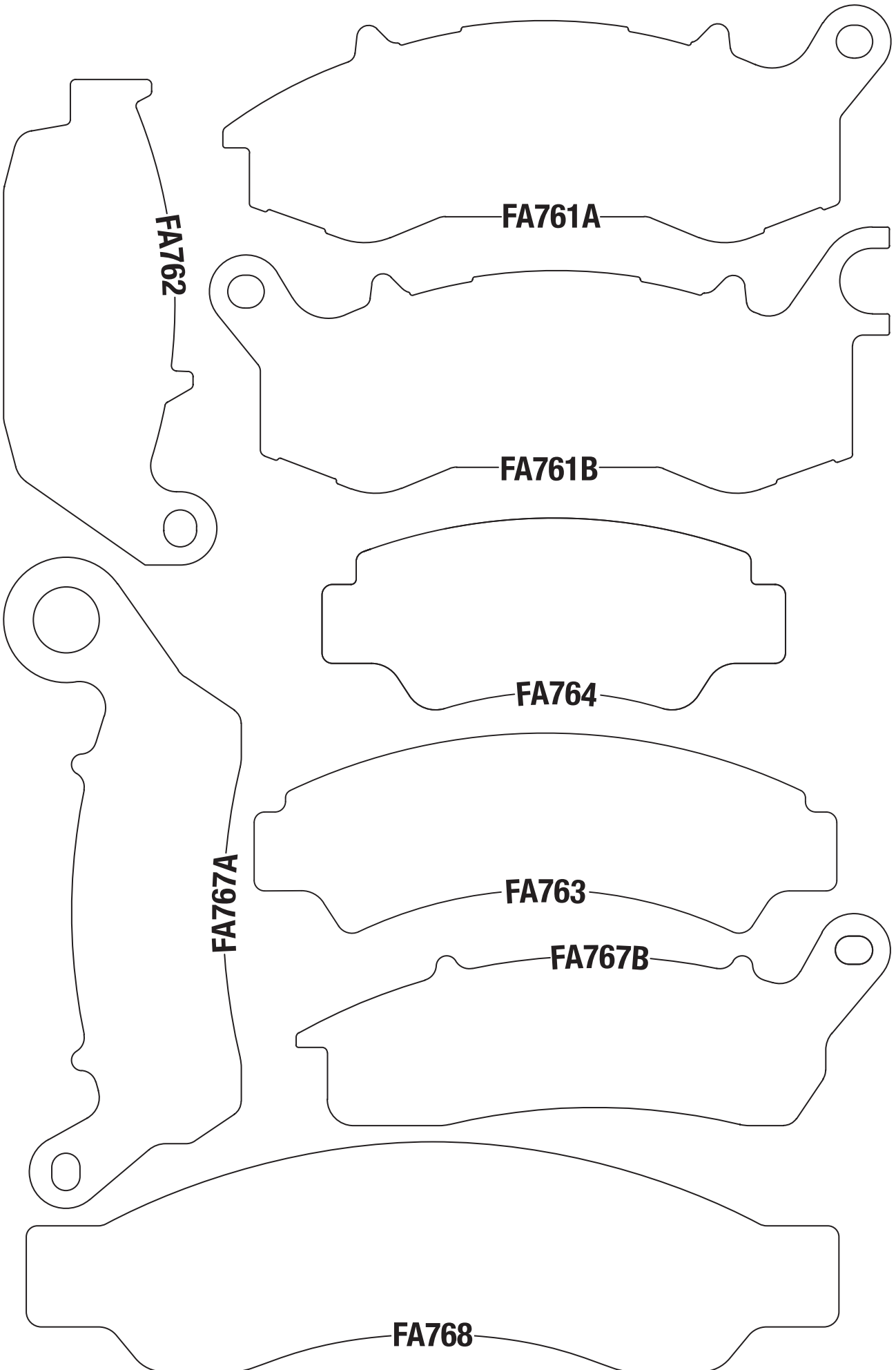


DO NOT REFIT ANY SHIMS/INSULATORS TO EBC PADS FROM ORIGINAL PADS UNLESS INSTRUCTED ON NOTE ON PAD PACKAGING AND ON FA DRAWING ASSOCIATED WITH THAT PAD.

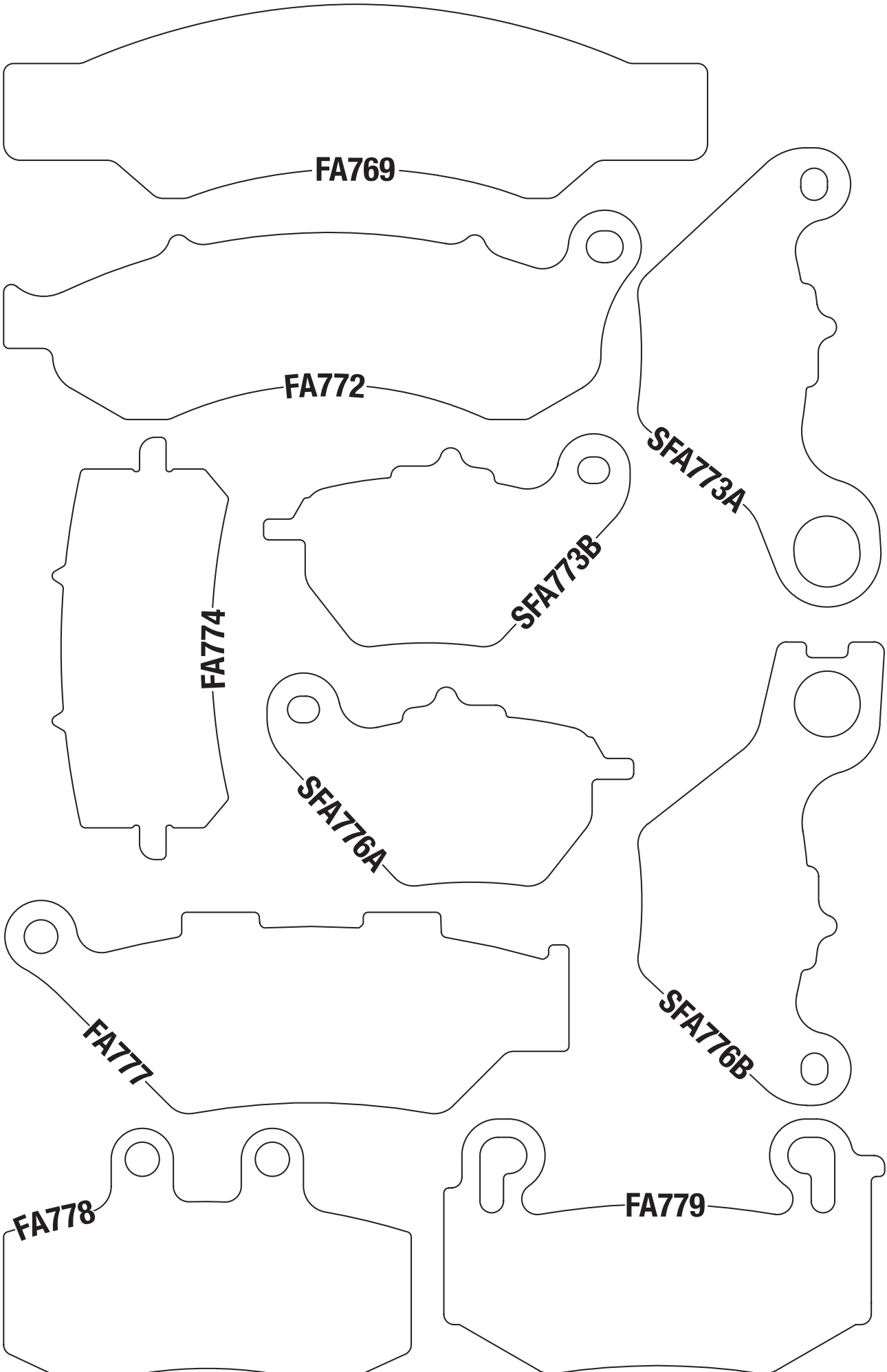
EBC FULL SIZE BRAKE PAD ILLUSTRATION – FA761-FA768

BRAKE PAD
BUYERS GUIDE

DO NOT REFIT ANY SHIMS/INSULATORS TO EBC PADS FROM ORIGINAL PADS UNLESS INSTRUCTED ON NOTE ON PAD PACKAGING AND ON FA DRAWING ASSOCIATED WITH THAT PAD.



EBC FULL SIZE BRAKE PAD ILLUSTRATION – FA769-FA779



**BRAKE PAD
BUYERS GUIDE**

DO NOT REFIT ANY SHIMS/INSULATORS TO EBC PADS FROM ORIGINAL PADS UNLESS INSTRUCTED ON NOTE ON PAD PACKAGING AND ON FA DRAWING ASSOCIATED WITH THAT PAD.

BRAKE SHOE BUYERS GUIDE

Part No.	Make/Model	Year	F/R	Part No.	Make/Model	Year	F/R	
H301	HONDA			H303 Contd. H303G	HONDA Contd.			
	CRF 50 F	2004-2023	F&R		NH 125 MD-D Lead	1983	F&R	
	NB 50 ME Aero	1984	F		SL 125 KIA	1976	F&R	
	NB 50 Vision	1986-1988	F		TRX 125 J	1988	F	
	NC 50Z Express	1979-1982	F&R		XL 125K3/K4	1979	F	
	NC 50C Express 2	1982	F		ATC 185A/SB	1980-1981	F	
	NC 50A/B Express 3 Delux	1982	F		ATC 200	1981-1984	F	
	NE 50 M Vision	1986-1987	F		PK 50 Wallaro	1990-2001	R	
	NP 50 D Melody Mini	1983	F		SFX 50	1995-2004	R	
	NS 50 Melody	1982	F		SGX 50 Sky/Sky Deluxe	1997-2003	R	
	NT 50 F Melody Mini	1985-1987	F&R		SH 50T Fifty/Scoopy	1997-2003	R	
	NX 50 A Caren	1980-1982	F		SJ 50 Bali	1993-1999	R	
	PC 50 K1	1979	F&R		SS 50 ZB2	1977-1980	R	
	QR 50D	1983-1987	F		SRX 50 Joker/Shadow	1997-1999	R	
	QR 50M	1993-2003	F		SXR 50	1998-1999	R	
	XR 50R	2001-2003	F&R		XR 75K4	1975-1978	R	
	Z 50 R All Models	1979-1986	F&R		NH 90 Yuppy	1991-1994	R	
	SUZUKI				SRX 90 Shadow	1997-1999	R	
	DR-Z 50	2018-2023	F&R		NF 100 Astrea Supra	1999	R	
	DR-Z 70	2008-2017	F&R		SH 100 Scoopy	1996-2001	R	
	YAMAHA				SJ 100 Bali Ex	1996-1999	R	
	TT-R 50 E	2006-2024	F&R		CG 125 BR	1985-1997	R	
	HUSQVARNA				NH 125 Lead	1986-1987	R	
	Husky Boy Racing S	2000	F&R		NS 125 F	1986-1987	R	
	Husky Boy R	2000-2002	F&R		NX 125 Transcity	1989-1997	R	
	Husky Boy Racing J	2000	F&R		XL 125 Paris-Dakar	1985	R	
					XL 200 L	1985	R	
					XL 200 R	1985	R	
					AEON			
					CO-IN ECO	2013	R	
					CO-IN 125	2013	R	
					OZ 125	2013	R	
					OZ 150	2013	R	
			AJS					
			Modena 50	2014-2015	R			
			Modena 125	2014-2015	R			
			Modena 125	2017-2019	R			
			ARCTIC CAT ATV					
			150 Utility 2 x 4	2009-2013	F			
			150 Utility 2 x 4	2015-2017	F			
			BAOTIAN					
			BT 49 QT-7	2006-2007	R			
			BT 49 QT-9 Speedy 50-4T	2010-2011	R			
			BT 50 QT-11 Retro 50-4T	2006-2011	R			
			BT 49 QT-12 Rebel-4T	2006-2011	R			
			BT 49 QT-12 Rocky-2T	2010-2011	R			
			BT 49 QT-9F3 Eagle 50 Eagle 50	2010-2011	R			
			BT 110-2	2006-2007	R			
			CAGIVA					
			Passing 125	1993-1997	R			
			DAELIM					
			A-Four 50cc	2006-2009	R			
			E-Five 50	2003-2006	R			
			S-Five 50	2001-2012	R			
			Delfino 100	2001-2004	R			
			Otello 125 NS 125 DLX	2000-2002	R			
			EASYSRIDER					
			M 50 Monkey/Monkey O.R.	1998	F&R			
			E-TON					
			CXL 150 Challenger	2002-2007	F			
			CXL 150 Challenger	2002-2007	F			
			RXL 150 Viper	2005-2006	F			
			RXL 150 Viper	2007	F			
			YXL 150 Yukon	2000-2002	F			
			RXL 150 Viper	2005	F			
			GOCCIA Electric Scooters					
			E-Gora Li/SI	2012-2015	R			
			Sunday	2012-2015	R			
			HONLEY					
			Classic 125	2016-2017	F&R			
			K.M. Keemotorbikes					
			Badboy 50 CX	2005	R			
			Badboy 100 CX	2005	R			
			KYMC0					
			Active 50	2005-2006	R			
			Agility 50Carry	2011-2021	R			
			Active 50SR	2008-2011	R			
			Agility 50	2005-2008	R			
			Agility 50 Basic	2007	F&R			
			Agility 50R10 CV 50 QT S	2006-2014	R			
			Agility 50R12 CK 50 QT S	2006-2021	R			
			Agility 50RS	2010-2015	R			
			Agility 50RS	2009-2017	R			
			Agility 50	2021-2023	R			
			Bet & Win/Dink Sports 50	2002-2006	R			
			Calypto 50/125	1999	R			
H302 H302G	HONDA							
	NV 50 MSD Stream	1984	F					
	NB 50 ME Aero	1984	R					
	NB 50 Vision	1986-1988	R					
	NC 50C Express 2	1982	R					
	NC 50A/B Express 3 Delux	1982	R					
	NE 50 M Vision	1986-1987	R					
	NH 50 Lead SS	1984	R					
	NH 50 Lead AF01/D716	1984-1985	R					
	NP 50 D Melody Mini	1983	R					
	NS 50 Melody	1982	R					
	NU 50 MC Runaway	1982	R					
	NV 50 MSD Stream	1984	R					
	NX 50 A Caren	1980-1982	R					
	PX 50	1982-1983	R					
	QR 50D	1983-1987	R					
	NH 80	1983-1986	R					
	NH 80 Lead	1985	R					
	BAROSSA							
	Mini 50/Python	2003-2005	R					
	PGO							
	I Bubu 125	2003-2022	R					
	I-Me 125	2010-2022	R					
	T-Rex 125	2008-2022	R					
	X-Hot 125	2010-2014	R					
	T-Rex 150	2015-2022	R					
	SYM							
	Fiddle 50	1999-2005	R					
	H303 H303G	HONDA						
		C 50 All Models	1975-1993	F&R				
		C 50N	1995	F				
		C 50	1996-2002	F				
		CF 50 Chaly	1979	F&R				
SH 50 City Express		1985-1996	F					
SS 50 ZK2		1975-1977	F&R					
ST 50 Dax		1978-1993	F&R					
TC 50 Gyro Canopy TA02		1996-2000	F					
C 70 All Models		1975-1985	F&R					
CF 70 C		1977-1978	F&R					
NF 75		1979	F&R					
SA 75 Vision		1989	F					
SH 75 Scoopy		1987-1995	F					
XR 75K5		1979	F&R					
NH 80		1983-1986	F					
NH 80 MDR		1994	F					
C 90 All Models		1975-1992	F&R					
EZ 90 Cub		1991-1995	F&R					
TRX 90 Fourtrax/Sportrax		1993-2006	F					
TRX 90 EX		2007-2008	F					
TRX 90 X		2009-2023	F					
H 100 A		1982-1992	F&R					
NF 100 Astrea Grand/Supra		1997-1998	F&R					
CT 110 Trail		1980-1988	F					
ATC 125 ME/MG		1984-1985	F					
CB 125S		1975-1979	F&R					
CG 125K1/B/C/E		1977-1984	F&R					
CH 125 D Spacy		1984-1986	F&R					
CH 125 J Spacy		1988-1996	F&R					

BRAKE SHOE BUYERS GUIDE

Part No.	Make/Model	Year	F/R	Part No.	Make/Model	Year	F/R
H303 Contd.	KYMCO Contd.			H303 Contd.	PEUGEOT Contd.		
H303G	Cobra 50 Cross	2000-2006	R	H303G	Ludix 50 Urban Track	2006-2007	R
	Cobra Racer SF10AG	2000-2006	R		Ludix 50 Red Zone	2006	R
	CX 50 PR50AE	1993	F		Ludix 50 Acid	2006	R
	Dink/Spacer/Yager 50 SH10	1998-2010	R		Ludix 50 Blaster	2005-2009	R
	Dink 50	2007-2014	R		Ludix 50 2 Trend	2007-2012	R
	Dink Dink Classic Euro 2	2003	R		Ludix 50 Pro	2011-2013	R
	DJ 50 S	2012-2015	R		Ludix 50 Pro	2011-2013	R
	DJW 50 World PR50AD	1995-1997	R		Ludix 50 2 Biposto	2007-2009	F&R
	DJX 50 KA50A	1991-1992	F		Ludix 50 2 One Biposto	2010-2012	F&R
	DJY 50 Refined PR50A	1993-2006	F		Ludix 50 2 One Monoposto	2010-2011	F&R
	Filly 50	1998-2000	F&R		Metal-X50 All Models	2004-2006	R
	Filly 50 LX	2000-2006	R		Vivacity 50	1992-2007	R
	Grand Dink 50	2004-2015	R		Vivacity 50	1992-2007	R
	Heroism 50 SE10BA	1995-1997	R		Vivacity 50 2	2008-2011	R
	KB 50 SE10CA	1995-2000	R		Vivacity 50 2	2008-2011	R
	K12 Sport 50 SE10CA	1995-2000	R		E-Vivacity Electric	2010	R
	Kymcosento 50 i	2013	R		Speedake 50	1995-2001	R
	Like 50	2009	R		Speedake 50	1995-2001	R
	Like 50	2010-2021	R		Speedake 50	1995-2001	R
	Like 50	2009	R		Speedake 50	1995-2001	R
	Like 50LX	2010-2021	R		Speedfight 1/250	1997-2008	R
	Looping 50	1998	R		Squab 50	1995-2001	R
	New Sento 50 i	2013	R		Squab 50	1995-2001	R
	Sento 50	2008-2015	R		Squab 50	1995-2001	R
	Sniper 50 PR50B	1993	R		Squab 50	1995-2001	R
	Super 9	2000-2007	R		SV Geo50/80/125	1991-1992	R
	Visa R 50	2011-2015	R		SV Geo50/80/125	1991-1992	R
	Visa R 110	2011-2015	R		SV Geo50/80/125	1993	R
	Visa R 125	2011-2015	R		SV Geo50/80/125	1993	R
	Vitality 50	2004-2009	R		SV J Geo 50	1991-1995	F&R
	Vitality 50 SF10FA	2004-2009	R		Trekker 50	1998-2000	R
	Yup 50	2002-2009	R		Trekker 50	1998-2000	R
	ZX 50 Super Fever/Scout SC10AS - ZX12	1999-2006	R		TRK 2WRC 50	1999-2008	R
	Top Boy 50SF10GG On Road & Off Road	1997-2006	R		TRK 2WRC 50	1999-2008	R
	Yager 50	2007	R		TRK 50	2009-2012	R
	Cobra 100 Racer	1999-2003	R		TRK50 12	2009-2012	R
	KB 100 Manboy	1997-2000	R		V-Clic 50	2008-2013	R
	Top Boy 100On Road & Off Road	1997	R		V-Clic 50	2008-2011	R
	Activ110/125	2004-2006	R		Vogue 50	2008-2009	F&R
	Agility 125 Carry	2011-2021	R		Zenith LS 50	1996-1999	R
	DJ 125S	2012-2013	R		Zenith LS 50	1996-1999	R
	Heroism 125 SE25BA	1995-1997	R		Zenith LS 50	1996-1999	R
	MXer 50 Quad	2000-2007	F		Zenith LS 50	1996-1999	R
	MXU 50	2005-2013	F		Zenith M/N 50	1996-2000	F&R
	MXer 125/150 Quad LA35AD/LA30AD	2002-2007	F		Elyseo100	1998-2002	R
	MXU 150	2005-2020	F		SV L100	1978	R
	LEXMOTO				Trekker 100	1998-2000	R
	Echo 50 LJ50QT-3L	2023-2024	R		VOX 110	2012-2013	R
	FMR 50 WY50QT-58R	2015-2018	R		Ludix Ambition 125	2004	R
	Milano 50 FT50QT-27	2016-2018	R		Ludix Ambition 125	2004	R
	Molly 50 DFE50QT-3	2015-2018	R		SINNIS		
	FMR 125 WY125T-74R	2014-2018	R		LJ 50 QT-H	2012-2014	R
	FMR 125 EFI WY125T-74R-E4	2014-2018	R		QM 50QT-2T Falcon	2008-2014	R
	Milano 125 FT125T-27	2016-2018	R		QM 50QT-6A Jet 50	2008-2010	R
	Tommy 125 ZN125T-E	2011-2017	R		WY 50 QT-39A Ghost	2006-2010	R
	MASH				ZN 50 QT-30A Strada 50	2012-2014	R
	Seventy 125	2014-2023	R		SYM		
	Scrambler 125	2014-2016	R		Cinderella 50/100	1999-2000	R
	PEUGEOT				City Hopper 50	1999-2002	R
	Fox/Fox L 50	1994-1998	R		Evie Electric Scooter	2010	F&R
	Buxy M/Buxy RM 50	1994-1997	R		E-Woo Electric	2011	R
	Buxy M/Buxy RM 50	1994-1997	R		Symmetry Electric	2011	F&R
	Buxy M/Buxy RM 50	1994-1997	R		E-Symmetry Electric	2012-2013	R
	Buxy M/Buxy RM 50	1994-1997	R		E-Virid	2012-2015	F&R
	Buxy M/Buxy RM 50	1994-1997	R		E-Virid Deluxe	2012-2015	R
	Buxy M/Buxy RM 50	1994-1997	R		Fiddle 50	1999-2005	F
	Django 50 Allure	2014-2018	R		Fiddle 50 II	2008-2019	R
	Django 50 Allure	2014-2018	R		Fiddle 50 III	2014-2021	R
	Django 50 Heritage	2014-2018	R		Jet Basix 50	2006-2009	R
	Django 50 Heritage	2014-2018	R		Jet 50/Euro X S	1999-2005	R
	Django 50 S	2014-2018	R		Jet Euro X 50	2006-2014	R
	Django 50 S	2014-2018	R		Jet Evo 50	2013-2015	R
	Elyseo 50	1998-2002	R		Jet Sport 50	2014-2015	R
	Elyseo 50	1998-2002	R		Jet Sport 50S	2014-2015	R
	Elyseo 50	1998-2002	R		Jet 450	2010-2015	R
	Jet H2i 50	2011-2012	R		Jet 450	2013-2015	R
	LooXoR 50	2001-2006	R		Jet 4R 50	2011-2018	R
	LooXoR 50	2001-2006	R		Jet 14 50cc E5	2018-2023	R
	E-Ludix Electric	2021-2022	R		Jet 1450 E5	2019	R
	Ludix 50 One	2004-2012	F&R		Jungle 50/100	1999-2002	R
	Ludix 50 Snake	2004-2009	R		Mask 50	2000-2005	R
	Ludix 50 Bullet	2004	R		Mask 50	2017-2019	R
	Ludix 50 Trend	2004-2007	R		Mio 50	2005-2021	R
	Ludix 50 Elegance	2004-2009	R		Orbit 50	2008-2009	R
	Ludix 50 Classic	2004-2005	F&R		Orbit 50 II	2012-2016	R

BRAKE SHOE BUYERS GUIDE

Part No.	Make/Model	Year	F/R	Part No.	Make/Model	Year	F/R	
H303 Contd. H303G	SYM Contd.			H304 H304G Contd.	HONDA Contd.			
	Orbit 50III	2018-2023	R		XR 350RD	1983	R	
	Orbit 50II Naked	2012-2015	R		XR 350RE	1984	R	
	Orbit 50II TS	2012-2015	R		XR 500R	1984-1985	R	
	Red Devil 50	1999-2009	R		XR 600R	1985-1987	R	
	RS 50	2004-2009	R		XR 600R	1988-1990	R	
	Super Fancy 50	1996-2006	R		HARTFORD/HRD			
	Symply 50	2007-2008	R		VR-125 Z Velo Sport	2000-2003	R	
	Symply II 50II	2009-2014	R		VR-125 X/H Velo Cross	2000-2003	R	
	Symply II 50	2017-2023	R		HERO HONDA			
	Tonik 50	2011-2015	R		Passion Plus 100	2008	R	
	Tonik 50	2020	R		Passion Plus 100	2008	R	
	Jet 100 G100P-6	1999-2000	R		Splendor NXG 100	2008	R	
	Mio 100	2005-2015	R		Splendor Plus 100	2008	R	
	Symba 100	2011-2012	F&R		Splendor Plus100	2008	R	
	Orbit ii/Symply 125	2009-2015	R		GlamourPGM Fi 125cc	2008	R	
	Orbit III125	2021	R		Glamour 125	2008	R	
	Super Duke 125/150	1999-2002	R		HONDA-HM ITALY			
	TAISHAN Project Quads				CRF 230F Easy Trial All models	2004-2007	R	
	Commuter 50	2003-2005	R					
Sport 50	2003-2005	R						
H304 H304G	HONDA			H306 H306G	HONDA			
	C 50N	1995	R		CB 175 All models	1967-1979	F	
	C 50	1996-2002	R		ATC 110All models	1979-1984	R	
	CB 50J	1981	R		ATC 125ME/MG	1984-1985	R	
	CD 50Benley S	1996-1999	F&R		ATC 185A/SB	1980-1981	F	
	CL 50 Benley	1997-1999	F&R		ATC 200	1981-1984	F	
	CRM 50R	1993-1996	R		ATC 250	1985-1988	F	
	MB 5 S	1980-1982	R		ATC 250RB	1981	F	
	MBX 50S	1983-1985	R		ATC 250RC	1982	F	
	MG 50 Magna AC13-	1995-2003	R		TRX 70 Fourtrax	1986-1987	R	
	MP 50 AC 17 Solo	2003	F&R		TRX 90Fourtrax/Sportrax	1993-2006	R	
	MRX 50	1988	R		TRX 90EX	2007-2008	R	
	MT 50 S	1980-1993	F&R		TRX 90X	2009-2023	R	
	MTX 50 SC	1983-1984	F&R		TRX 200	1990-1993	F	
	NSR 50F	1993-1995	R		TRX 200L/M	1990-1991	F	
	NSR 50S	1989-1995	R		TRX 200D	1991-1997	F	
	TC 50Gyro Canopy TA02	2000-2002	R		TRX 200SX	1986-1987	F	
	XZ 501/2 APE-AC16	2001-2002	F&R		POLARIS ATV			
	CRM 75R	1989-1994	R		Phoenix200 AA/AB Models	2004	F	
	XR 75K4	1975-1978	R		Phoenix200 AC/AD Models and Following	2006-2008	F	
	CR 80RA/RB	1980-1981	F&R		Phoenix200	2010-2013	F	
	CR 80RC	1982	R		Sawtooth200	2006-2007	F	
	CR 80R2F/R2G	1985-1986	F&R		SYM			
	MB 80 MB8	1980	R		Wolf 125/150 ScooterType	2000	F	
	MBX 80	1983-1986	R		125M/P125M/			
	MCX 80	1982	R					
	MTX 80	1983-1984	F&R		H307 H307G	HONDA		
	XR 80Z/A/B	1980-1981	F&R			CB 175 All models	1967-1979	R
	C 90All Models	1993-2003	F&R			YAMAHA		
	CB 100N	1978-1980	R			YZF 50 Quad	2017-2020	R
	XL 100All models	1978-1982	F&R			YFM 90Raptor	2016-2020	R
	XZ 100 2 APE-HC07	2002	F&R			APACHE		
	CT 110P	1989-2004	F&R			Mini Tomahawk 50	2008-2009	R
	CT 110X	2005-2009	R			ARCTIC CAT ATV		
	CB 125J	1979	R			50 All Models	2002-2008	R
	CBX 125Custom	1988	R			CAN AM ATV		
	CG 125T	1998-2003	R			90 All Models	2002-2006	R
	CLR 125 W City Fly	1999-2003	R			DS 702 x 4/4T Mini	2008-2021	R
	CR 125M2-M4 Elsinore	1976-1978	F&R			Renegade 70	2022-2023	R
	CT 125 C	1985	F&R			DS 902 x 4/4T	2007-2021	R
	MBX 125 FE	1984-1986	R			Renegade 110	2023-2024	R
	MTX 125RWD	1983-1984	F&R			KYMCO		
	MTX 125RWE	1985-1995	R			KXR 50 Mongoose	2004-2006	R
	SL 125KID	1976-1980	F&R			Maxxer 50	2005-2014	R
	TL 125	1976	F&R			PEUGEOT		
	XL 125K2	1978	F&R			Tweet 50	2010-2013	R
	XL 125S	1979-1982	F&R			New Tweet Evo 50	2014-2020	R
	XL 125RF	1985-1986	R			Kissbee100	2012-2015	R
	XLR 125 RW	1998-2001	R			Streetzone 100	2014-2015	R
	XR 125	2003-2008	R			POLARIS ATV		
	XRM 125 CFT125	2007-2011	R			Outlaw50	2008-2017	R
	XL 185 S	1980-1982	F&R			Predator50	2004-2006	R
	CTX 200A Bushlander	2004-2016	R			Scrambler50	2001-2002	R
	MTX 200	1983-1985	F&R			Outlaw90	2007-2015	R
	TL 200 Colin Seeley	1976-1978	F&R			Predator90	2003-2005	R
TLR 200G/H	1986-1987	R	Scrambler X90	2001-2003		R		
XR 200	1980-1984	F&R	Sportsman90	2001-2016		R		
XR 200R	1981-2002	F&R	Sportsman110	2016-2022		R		
TLM 220 R	1988-1992	R	Outlaw110	2016-2018		R		
CBX 250	1984-1998	R	ROXON					
RTL 250SG	1986	F&R	Fox 50 Quad	2004-2006		R		
TL 250 K1	1979	F&R	SYM					
TLR 250 F	1985	F&R	Symphony 50	2009		R		
TLM 250RJ	1989	F&R	Symphony 50 Cargo	2020-2024		R		
			X'Pro 50	2013-2015		R		
			X'Pro 50	2018-2020		R		

BRAKE SHOE BUYERS GUIDE

SHOE BUYERS GUIDE

Part No.	Make/Model	Year	F/R	Part No.	Make/Model	Year	F/R
H307 Contd. H307G	SYM Contd.			H315 H315G	HONDA Contd.		
	Tonik 110	2011-2013	R		ATC 250	1985-1988	R
	Attila 125	1999-2000	R		CB 250K	1973-1975	R
	Fiddle 125II	2008-2015	R		CB 250G5	1975	R
	Fiddle 125III	2008-2021	R		CJ 250T	1977	R
	JET 4 125cc/	2010-2015	R		TRX 300Fourtrax 2WD	1988-2000	R
	Jet 14 125 Euro 4	2017-2021	R		TRX 300Fourtrax 4WD	1988-2000	R
	JET V 125cc/	2012-2013	R		CB 350K4	1974	R
	Symphony 125	2009	R		SL 350K0	1969-1970	R
	Symply 125R	2007-2008	R		CB 360 G5	1975	R
	Symply 125II	2009-2014	R		CJ 360 T	1978	R
	Wolf 125/150 ScooterType	2000	R		CB 400F	1975-1979	R
	125M/P125M/P150M				CB 400 F/F1/F2	75-79	R
	X'Pro 125	2013-2015	R				
	Fiddle II 151	2008-2015	R				
Jet14 200 Euro 4	2017-2021	R					
H308	HONDA			H316	HONDA		
	CB 125 K1 to K5	1972-1976	F		CB 500T Twin	1975-1977	R
	CB 175 (All models)	1974-1976	F		CB 500F Four	1975-1977	R
	SL 350 K1/K2	1970-1973	F	CB 550F	1978-1980	R	
H309	HONDA			H318 H318G	HONDA		
	CB 175 All models	1974-1976	R		CA 125 Rebel	1995-1997	R
	CB 200 B	1976-1979	R		CA 125 Rebel	1998-2000	R
	CB 250RS	1981-1984	R		CBX 125F	1984	R
	CBR 250MC14	1986	R		VT 125 Shadow	1999-2008	R
	C 250SC	1981	R		CBX 250 RSE	1984	R
	VT 250FD	1983	R		CMX 250 CT Rebel	1996	R
	VTZ 250	1986-1988	R		CMX 250 Rebel	1997-2000	R
	SL 350K1/K2	1970-1973	R		XL 400 R	1982	R
	XL 500S	1981	R		XL 500S	1980	R
			XL 500R	1982	R		
			XR 500S	1979-1980	R		
			XR 500R	1981	R		
			XL 600R	1983-1987	R		
			XL 600LM	1985-1987	R		
			XL 600V Transalp	1987-1990	R		
			XL 600 LMF/RMG/LMH	85-87	R		
			XL 600 VH/VJ/VK 'Transalp'	87-90	R		
H310 H310G	HONDA			H319 H319G	HONDA		
	ATC 70All Models	1978-1985	R		CR 125 RC	1982	F
	CB 125K1-K5	1972-1976	R		CR 450 RB	1981	R
	CB 125K6/S2	1976	R				
	CB 125T	1978	R	H320	HONDA		
	CB 125T2	1979	R		CB 750K0-K5	1969-1975	R
	CB 125T	1983-1989	R		CB 750KZ	1980	R
	CB 125RS	1983	R	H321	HONDA		
	CBX 125TS Custom	1982	R		VT 250Magna	1995-1997	R
	CD 125 TC	1978	R		NV 400CJ/CK Steed	1992-1993	R
	CM 125 CC/CF	1982-1985	R		NV 400CS/CV Steed	1995-1997	R
	CD 185 T	1978	R		CB 500R/T Twin	1994-1996	R
	CD 200TA/TB	1979-1980	R		CX 500CA	1979-1981	R
	CD 200TA/TB	1979-1980	R		CX 500CC	1982	R
	CB 250Two Fifty	1992-2005	R		GL 500 DC	1982	R
CD 250 UJ	1988-1992	R	VT 600CN Shadow Custom		1993	R	
			VT 600Shadow Custom		1994-2000	R	
			GL 650 D2-E	1984	R		
			VF 750SC V45 Sabre	1982	R		
			KYMCO				
			Venox 250R20010/RA50AA	2000-2003	R		
			Venox 250RFB20011/RA500AD	2004-2006	R		
			Venox 250R20012	2000-2014	R		
H311	HONDA			H322	HONDA		
	XL 250K	1978-1979			PA 50 Camino	1979-1986	F
					PF 50 M Novio	1975	F&R
					PX 50	1982-1983	F
					PX 50	1984	F
					KTM		
					50 SX SXR Pro Junior/Senior/Adventure	1996-2003	F&R
					50 SX Mini Adventure	2004-2007	F&R
					50 SX Senior Adventure	2002-2007	R
					50 SX Pro Senior LC	2002-2005	R
H312 H312G	HONDA						
	CD 125 TC	1978	F	MOTOBECANE			
	CM 125 CC/CF	1982-1985	F	Atom Hub50 All Models	1988	F	
	CD 185 T	1978	F	Leleu Hub50 All Models	1988	F	
	CD 200TA/TB	1979-1980	F	PEUGEOT			
	C 250SC	1981	F	Fox L 50	1994-1998	F	
	XL 250S	1978-1981	F	103 Pro, SP 350	1971	F&R	
	XL 250S	1982	F	PUCH			
	XR 250S	1979-1980	F	Maxi 50N/NK	1973-1980	F&R	
	XL 500S	1980	F	Maxi 50SW/SKW	1973-1980	F&R	
			Maxi 50	1973-1980	F&R		
H313	HONDA						
	CB 250T	1978	R				
	CB 350SG/SJ	1986-1990	R				
	CB 400A Honda-Matic	1979	R				
	CB 400T	1978	R				
	CB 400N	1978-1981	R				
	CB 400NC	1982	R				
	CB 450SG/SJ	1986-1988	R				
CMX 450 Rebel	1987-1988	R					
VT 500	1983-1985	R					
H314	HONDA						
	CB 250 K3-K5	1973-1975	F				
	CB 350 K4	1974	F				
SL 350 K0	1969-1970	F					

BRAKE SHOE BUYERS GUIDE

Part No.	Make/Model	Year	F/R	Part No.	Make/Model	Year	F/R	
H352 Contd.	HONDA Contd.			H353	HONDA			
	NSC 110Vision	2011-2016	R		NCX 50 Dunk	2014-2017	R	
	NSC 110E Vision	2012-2014	R		AFS 110 Wave	2012-2016	R	
	NSC 110Vision	2017-2024	R		ANF 125 Innova	2003-2011	R	
	SCR 110 SpacySpacy	2008-2014	R		CG 125 Job	2005	F&R	
	SCV 110 LeadNHX 110-WH8	2008-2009	R		NXR 125 Bros ES/KS	2005	F&R	
	SCV 110 LeadNHX 110-WHA	2010-2012	R		SUZUKI			
	110 XZoomer	2019-2021	R		FL 125Address/Underbone	2007-2010	R	
	ACA 125Air Blade 125	2014-2016	R		HERO			
	ACE 1252DK CG	2020-2021	R		Splendor NXG 100	2011-2012	F&R	
	C 125 Super Cub	2018-2024	R		Splendor Pro 100	2011-2012	F&R	
	C 125 Super Cub 007	2018-2020	R		Pleasure 102102	2011-2012	F&R	
	CBF 1256 Stunner	2006	R		PEUGEOT			
	CBF 125M7 Stunner	2007	R		Kisbee50	2010-2018	R	
	CBF 125M9	2009-2015	R		Kisbee50	2010-2021	R	
	CBF 125MM	2023-2024	R		Kisbee50 RS	2010-2018	R	
	CB 125F - GLR 125 1WHF	2015-2016	R		Kisbee50 RS	2010-2021	R	
	CB 125F - GLR 125 1WHH	2017-2022	R		E-Vivacity Electric	2011-2015	R	
	SH 125 Mode FSH125M	2021-2024	R		New Vivacity 50	2008-2014	R	
	CG 125Cargo	2009-2010	F&R		New Vivacity 50	2008-2014	R	
	CG 125ES	2004-2008	R		New Vivacity 50 Sixties	2010-2013	R	
	SCV 100-3F5 Lead	2003-2008	F		Speedfight 350	2009-2015	R	
	CG 125Job	2005	F		Speedfight 350 Darkside	2013-2015	R	
	NXR 125 Bros ES/KS	2005	F		Speedfight 350 Iceblade	2013-2015	R	
	CT 125Trail	2020-2022	R		Speedfight 450 Classic	2015-2020	R	
	NES 125Scooter	2000-2006	R		Speedfight 450 Darkside	2015-2018	R	
	NSC 125New Elite	2018-2020	R		Speedfight 450 Iceblade	2015-2018	R	
	PCX 125WW	2012-2017	R		Speedfight 450 Pure	2015-2018	R	
	PCX 125S - WW AK	2018-2024	R		Speedfight 450 20th Anniversary Edition	2018	R	
	PCX 125 WW-J	2018-2021	F		Streetzone 1250	2014-2018	R	
	PES 125PS	2006-2009	R					
	PES 125PS	2008-2009	R		Y501	YAMAHA		
	SC 125Elite	2008-2014	R		CA 50 Salient	1983-1985	F	
	SES 125 Dylan	2002-2007	R		CG 50 Jog	1988-1992	F	
	SH 125 1/3	2001-2003	F		MA 50M QT 50	1980-1986	F&R	
	SH 125i	2004-2008	R		M Towny 50	1982	F&R	
	SH 125i	2009	R		MS 50	1985-1986	F	
	SH 125i	2008	R		PW 50	1980-2024	F&R	
	SH 125i	2007-2008	R		SA 50M/ME Passola	1980-1984	F	
	SH 125i Mode ANC 125	2014-2024	R					
	CBF 150 5	2005	R		Y502	SUZUKI		
	CBF 150 M5 Unicorn	2005	R		RM 80	1981-1989	R	
	CBF 150 6	2006	R		YAMAHA			
	CBF 150M Unicorn	2006-2007	R		YZ 50	1980-1983	F&R	
	CBF 150M Unicorn	2007-2010	R		TY 80	1977-1983	F	
	CG 150ESD Titan	2004-2005	R		YZ 80	1977-1979	F	
	CG 150KS/ES Titan	2004-2005	R		YZ 80	1980-1985	F&R	
	NES 150Scooter	2001-2006	R		YZ 80	1986-1989	R	
	PCX 150WW 150 EX2	2009-2015	R		PW 80	1983-1991	F	
	PCX 150	2018-2020	R		PW 80	1993-2013	F	
	PCX 150WW-J	2017-2021	R		TT-R 90	2000-2007	F	
	PCX 150Hybrid	2019-2020	R		TT-R 110 E	2008-2024	F	
	PES 150PS150	2006-2010	R					
	PES 150PS150	2008-2011	R		Y503	YAMAHA		
	SES 150Dylan	2002-2006	R		Y503G	Neo-sElectric scooter	2023	R
SH 1501/3	2001-2003	R	BWs	1999-2007	R			
SH 150i	2004-2008	R	BWs	1999-2002	R			
SH 150i	2009	R	BWs50 5WW1	2004	R			
SH 150i	2008	R	BWs50 1D11/2B71	2003-2004	R			
SH 150iS7/S8	2007-2008	R	BWs50 R 5SX1	2001	R			
CBX 200Strada	1997-2001	R	CR-Z 50 3WN	1991-1995	R			
FTR 223 MC34	2000-2002	R	CS 50Jog R	2002-2005	R			
XL 230MC36	2002	F&R	CS 50Z Jog RR	2003-2005	R			
CBF 2504/6	2004-2006	R	CT 50S 3NT6	1990-1995	F&R			
CB 250Twister	2016-2019	R	CT 50SS 3NTC	1992-1995	F&R			
XR 250Tornado	2005	R	CW 50RS	1996-1997	R			
CB 300R10	2010	R	CW 50RSP	1997-1998	R			
HERO			CW 50RS 4YA4/BWs NG	1998	R			
Glamour 125 PGM Fi	2011-2012	R	CW 50RS	1999	R			
Super Splendor125	2011-2012	R	CW 50RS	2000	R			
Hunk 150	2011-2012	R	CW 50RS	2001-2005	R			
HERO HONDA			CW 505MS2/4G54R	2002	R			
Pleasure 102	2008	F&R	DT 50LC	1998	R			
Super Splendor 125	2008	F&R	DT 50MX	1992-1995	F&R			
Achiever 150	2008	R	DT 50R	1997-2001	R			
CBZ X-treme	2008	R	EW 50 Slider	2000-2005	R			
Hunk 150	2008	R	CY 50RS Jog R	1996	R			
Karizma 223	2008	R	RZ 505FC1/2	2002	R			
CD Dawn 100	2008	F	YA 50R Axis 4PC	1995-1996	R			
CD Deluxe 100	2008	F	YA 50ZA Jog Z 4SC1	1995	R			
Passion Plus 100	2008	F	YFM 50Raptor	2004-2009	F			
Passion Plus 100	2008	F	YSR 50 T	1987	R			
Splendor NXG 100	2008	F	YJ 50 R 5AU1-3 Vino	1998	R			
Splendor Plus 100	2008	F	YH 50Why	1999-2009	R			
GlamourPGM Fi 125cc	2008	F	YM 50 Breeze 4KH	1994-1995	R			
Glamour 125	2008	F	YN 50 Neos	1997-2002	R			

BRAKE SHOE BUYERS GUIDE

Part No.	Make/Model	Year	F/R	Part No.	Make/Model	Year	F/R
Y503 Contd.	YAMAHA Contd.			Y503 Contd.	DAELIM		
Y503G	YN 50 Neos	2002-2006	R	Y503G	DX 50 D Camper	2003	R
	YV 50 5BM2 Jog Space Innovation	1997	R		M 50 D/MD Millenium	2003	R
	CV 80 Beluga	1981-1983	F&R		ST 90 Pro Monkey	2003	R
	PW 80	1993-2013	R		DERBI		
	TY 80	1983	R		DXR 200Quad	2004-2005	F
	YFM 80Badger	1992-2001	F		GARELLI		
	YFM 80Raptor	2002-2008	F		Queenie	1995	R
	YFM 80Grizzly	2005-2008	F		Grinta	1995	R
	TT-R 90	2000-2007	R		Tiesse 50	2008-2010	R
	FIZ	1997	R		Tiesse 50	2008-2010	R
	AG 100J 3HAA	1982	F		XO 50	2009	R
	AG 100E Farm Bike	1993	F		GENERIC / KSR		
	RT 100	1993-2003	F&R		Vionis Electric	2018	R
	YB 100	1982-1986	R		Classic 5050	2017-2018	R
	YB 100	1987-1992	F&R		Cracker 50	2009-2018	R
	YZ 100J/K	1982-1983	F		GT Race Explorer50	2009	R
	Alba 106	2008	F&R		Epico50	2010-2018	R
	Libero 106	2008	F&R		EpicoElectric	2012-2013	R
	Crux 106	2008	F&R		Ideo 5050	2005-2014	R
	SR 125SE	1982	R		Pandora 50	2013-2018	R
	SR 1253MW2 Type	1989-1991	R		Jump 50	2012-2018	R
	SR 125	1997-2003	R		Onyx 50	2010-2018	R
	TT-R 125	2000-2009	F&R		Race 2 50	2010-2014	R
	TT-R 125LW	2000-2024	R		Roc50	2008-2011	R
	TW 1255EK	1999-2002	R		Sirion50	2012-2020	R
	XC 125T Cygnus	1995-1998	R		Toxic 50 Sport	2012-2018	R
	XC 125TR Cygnus	1996-2003	R		Vendetta 50	2012-2013	R
	XT 125	1982	R		Vertigo 50	2012-2014	R
	YFA1Breeze 125	1989-1991	F		XOR50	2005-2014	R
	YFA1Breeze 125	1992-2003	F		Race 2 125	2010-2014	R
	YFM 125Grizzly	2004-2014	F		Sirion125	2012-2018	R
	AG 2003GX6	1993	F		Vertigo 125	2013-2018	R
	TW 200	1991-1998	R		JORDAN		
	TW 200	1998-2001	R		Easy 50/100	2003-2004	R
	YFM 200N	1985	F		KEEWAY		
	YFM 200	1989-1990	F		Agora 50	2010-2015	R
	YFS 200Blaster	1991-2002	F		ARN 50 25/45	2010-2011	R
	YTM 200 EL/DX	1989	F		Easy/Hurricane 50 25/45	2007-2012	R
	ST 2255BT Bronco	1997	R		Focus 50	2006-2007	R
	YFM 225S/T/U	1986-1989	F		F-Act 50	2007-2010	R
	YTM 225 DRN	1985	F		F-Act 50EVO City 2T	2009-2015	R
	XT 225Sorrow	1986-1987	R		F-Act 50NKD	2009-2011	R
	XT 225Sorrow	1989-1993	R		F-Act 50Racing 25/45	2010-2012	R
	XT 225Sorrow	1992	R		F-Act 50RS	2010-2011	R
	XT 225Sorrow	1992	R		Flash 50	2007-2009	R
	YFB 250 Timberwolf	1992-1994	F		Flash 50Electric	2009-2010	R
	ADLY				Goccia 50	2008-2015	R
	P50 Panther	2002-2009	R		Hacker 50	2008-2009	R
	Cosy 50/80	2002-2006	R		Hurricane 50	2007-2014	R
	Road Tracer 50/90/100	2004-2006	R		Hurricane 50Base	2007	R
	SF 50Silver Fox	2006-2009	R		Matrix 50	2006-2012	R
	SS 50SS 50 Supersonic	2004-2005	R		Matrix 50V4 25/45	2010-2011	R
	SS 100 Supersonic	2004-2005	R		Pixel 50	2008-2012	R
	Herchee Cat 125	1998-2002	R		RY650.56	2010-2015	R
	Herchee Herkules 125Mirage/Virtuality	2011-2012	R		RY8 50ccAll models	2007-2009	R
	BEELINE				RY8 50ccSP 25/45	2010-2011	R
	Veloce 50	2008-2010	R		Swan 50.56	2010-2011	R
	Veloce GT 50	2008-2010	R		50 Zahara	2013-2014	R
	BENELLI				F-Act 125	2007-2011	R
	Pepe 50Classic	2007-2014	R		125 Zahara	2013-2015	R
	Pepe 50LX	2003-2009	R		KREIDLER		
	Quattro Nove X 50cc	2008-2012	R		Florett2.1 RS 50cc/2T/A-C	2014-2015	R
	BAROSSA				MALAGUTI		
	100 Sport/Python	2003-2005	R		Malbo Line - DVD	2010-2011	R
	170 Cheetah	2003-2006	R		MBK		
	250 Cheetah	2003-2006	R		CR 50 Z Target	1991-1995	R
	CPI				CS 50 Mach G AC	2002-2005	R
	Aragon 50	2007-2009	R		CS 50 Mach G LC	2003-2005	R
	Aragon GP 50	2007-2012	R		CT 50 SorrisoS	1991-1992	F&R
	Aragon GPPaddock	2008-2012	R		CT 50 SorrisoSS	1993-1995	F&R
	Aragon Club 50	2007-2012	R		CV 50 Evolis	1997	R
	Aragon S-Line 50	2007-2012	R		CW 50 Fizz 50	1993-1997	R
	Baby J 50	2002	R		CW 50 Booster	1990-1991	F&R
	Bravo 50	2012	R		CW 50 Booster	1992-1994	F&R
	Formula 50 Basic	2007-2008	R		CW 50 Booster	2009-2010	R
	Formula 50 R	2007-2008	R		CW 50 BoosterR Road	1994-1995	R
	Freaky 50	2007	R		CW 50 BoosterRS NG	1995-1998	R
	50 Hussar	2001-2002	R		CW 50 BoosterRSX Track	1996-1998	R
	50 Hussar	2003-2005	R		CW 50 BoosterSpirit	1996-1998	R
	50 Mars	2001-2002	R		CW 50 BoosterRS Spirit	1999-2006	R
	Oliver 50All models	2003-2012	R		CW 50 RSP RocketR	1997-1998	R
	Popcorn 50	2002	R		CW 50 BoosterRS NG	2001-2006	R
	XT 50 Quad	2006-2009	F		CW 50 BoosterRS	2005-2006	R
	Aragon S-Line 125	2007-2012	R		CW 50 Booster	2006-2010	R
	Bravo 125	2012	R		CW 50 Power Rocket	2006	R

BRAKE SHOE BUYERS GUIDE

Part No.	Make/Model	Year	F/R	Part No.	Make/Model	Year	F/R
Y503	MBK Contd.			Y504	YAMAHA Contd.		
Y503G	CW 50 Booster	2006-2010	R	Y504G	YZ 100E/F/G/H	1978-1981	R
Contd.	CW 50 BoosterSpirit	2009	R	Contd.	IT 125	1980-1982	R
	CW 50 Booster	2009	R		TY 125	1982	R
	CY 50 Forte/Forte Mufa	1996-1997	R		TY 175	1977-1980	R
	EW 50 Stunt	2000-2006	R		TY 250D/E	1977-1978	R
	EW 50 Stunt	2005-2010	R		TY 250S/R	1984-1990	R
	YA 50 R Forte	1994-1995	R		TY 250R	1991-1992	R
	YA 50 TA Sorriso	1995-1996	F&R				
	YE 50 Evolis	1992-1995	R	Y506	YAMAHA		
	YH 50 Flipper	1998-2010	R	Y506G	DT 80LC 37A	1981-1984	R
	YM 50 Fizz	1994-1995	R		DT 80LC-2 53V	1985-1992	R
	YN 50 Ovetto	1998-2010	R		YFM 80S	1987	R
	YN 50 Ovetto	2009-2010	R		DT 100	1976-1980	R
	CV 80 Evolis	1997	R		YZ 100E/F/G/H	1978-1981	R
	XC 125 FlameT	1995-1996	R		YZ 100J/K	1982-1983	R
	XC 125 Flame	1996-2003	R		BL 125 Beluga	1985	R
	MOTOROMA				DT 125E/MX/LC	1974-1985	F&R
	Wasp 50	1999-2005	R		DT 125LC	1986-1987	R
	G10 50	2011-2012	R		IT 125	1980-1982	R
	Go-Go50	1997-2005	R		RD 125DX	1975-1977	R
	Stinger 50	1999-2005	R		RD 125LC	1982-1984	R
	Scrambler 50	2001	R		RD 125LC MK2/3	1985-1987	R
	Road Runner50/100	2001-2002	R		RS 125	1975	R
	Grand Prix 50/100	1999-2003	R		RS 125DX	1976-1980	R
	Lambros 125	2011-2012	R		RS 125DX	1981	R
	MZ/MUZ				RZ 125 1GV	1985	R
	Moskito 50 FB	1997-2003	R		SR 125 SE	1982	F
	Moskito50 SX JP	2000-2003	R		SR 125 3MW2 Type	1989-1991	F
	PGO				TY 125	1982	R
	My Bubu 50	2003	R		TZR 1252RK/3PC1	1987-1989	R
	POLARIS ATV				XC 125Beluga	1992	R
	Scrambler50	1985-1985	F		XT 125	1982	F
	Cyclone X250	1987	F		YBA 125 Enticer 3P01/3P41	2005-2006	R
	Trail Boss 250 2 x 4	1985-1986	F		YFA1Breeze 125	1989-1991	R
	QUADZILLA				YZ 125	1976-1982	R
	Black Max M100 SE	2006	F		YZ 125T	1987	R
	X100E XLC	2006-2007	F		RX 135 13X	1981	R
	R170Ram	2003-2005	F		DT 175 All models	1974-1983	F&R
	R170Ram E Stinger	2003-2005	F		IT 175	1980-1982	R
	R170Stinger E	2006	F		TY 175	1977-1980	R
	R200 E StingerE Stinger	2006-2007	F		DT 2002LR	1987	R
	ST 200 E	2006-2007	F		SR 250SE 3Y8	1981-1983	R
	Ram R250	2003-2005	F		TT 250R	1990	R
	Ram R250E Stinger	2003-2005	F		TY 250D/E	1977-1978	R
	WK BIKES				XT 250	1980	F&R
	Bellisima 50	2013-2015	R		YZ 250G	1980	R
	Mii 50	2013-2015	R		YZ 250H	1981-1984	R
	SP 50	2013	R		YZ 250N	1985	R
	WK Go 50	2011-2015	R		YZ 250S/T	1986-1987	R
	WK One 50	2010-2012	R		XT 350	1985-1990	R
	WK GP 2 /50cc	2010-2014	R		YZ 490K	1983	R
	Bellisima 125	2013-2015	R		TT 600L	1984	R
Y504	CPI			BAOTIAN			
Y504G	Popcorn 50	03-06	R	BT 125 T-7	2006-2007	R	
	YAMAHA			CPI			
	DT 50MX	1978-1986	F&R	Oliver 125	2006-2012	R	
	FS1E	1974-1976	F&R	KEEWAY			
	FS1E DX	1977-1979	R	110 Kee	2012-2014	R	
	FS1DX	1979-1980	R	110 Target	2013-2014	R	
	FS1SE	1981-1982	F&R	ARN 125	2006-2012	R	
	RD 50M	1978	R	Focus 125	2006-2007	R	
	RD 50M	1979-1980	R	Matrix 125	2006	R	
	RD 50MX	1981-1987	R	Matrix 125	2007-2010	R	
	TY 50M	1977-1980	F&R	RKS 125	2010-2011	R	
	V 50M/P	1974-1982	F&R	RKS 125	2012-2015	R	
	V 70 A	1976	F&R	125 New Strike	2013-2014	F&R	
	V 75 A	1977	F&R	125 Strike	2013-2014	R	
	DT 80MX	1981-1983	F&R	125 Target	2013-2015	R	
	LB2 80 Bop 2	1980	F&R	ARN 150	2006-2009	R	
	RD 80	1982	R	F-Act 150	2007-2010	R	
	RD 80	1982	R	Matrix 150	2007-2010	R	
	TY 80	1977	R	RKS 150	2012-2014	R	
	V 80	1979-1982	F&R	150 New Strike	2013-2014	F&R	
	YZ 80	1977-1979	R	150 Strike	2013-2014	R	
	V 90	1978	F&R	RKS 200	2012-2014	R	
	DT 100	1976-1980	F	200 New Strike	2013-2014	F&R	
	RS 100 478	1975-1976	F&R	PEUGEOT			
	RS 1001Y8/Europe	1977-1978	R	Tweet125	2010-2012	R	
	RS 100-1Y8/UK	1977-1978	F&R	Vivacity125	2010-2015	R	
	RS 100-1Y9/UK	1979-1981	F&R	Vivacity125 Sixties	2011-2012	R	
	RS 100 DX 1Y8 Europe	1979	R	Tweet150	2010-2012	R	
	RS 100 1Y8/Europe	1980-1982	R	SACHS HERCULES			
	YB 100	1978-1981	F&R	Bee 125	2008-2009	R	
	YB 100	1982-1986	R	Roadster 125 V2	2000-2004	R	

BRAKE SHOE BUYERS GUIDE

Part No.	Make/Model	Year	F/R	Part No.	Make/Model	Year	F/R
S602 S602G Contd.	PGO Contd.			S604 S604G Contd.	SUZUKI Contd.		
	i-Charge 125	2003-2005	R		LT-Z 90 Quadsport	2007-2023	F
	T-Rex125	1999-2007	R	DR-Z 125	2003-2015	F&R	
	T-Rex125	2008-2012	R	DR-Z 125L	2003-2023	R	
	SIAMOTO			TS 125ERZ	1982	R	
	Geco 250	2004	R				
	SINNIS			S605 S605G	KAWASAKI		
	QM 125GY Apache 125	2009-2014	R		KDX 250 B1	1979	R
S603 S603G	KAWASAKI			KL 250 A1/A2	1974	R	
	AE 50 A1/A2	1981-1982	F&R	KX 250	1975-1979	R	
	AR 50 C2-C10	1981-1997	R	KX 250	1980-1981	R	
	AE 80	1981-1982	F&R	KX 420 A1/A2	1980-1981	R	
	AR 80	1981-1991	R	SUZUKI			
	KC 100	1980-1983	F&R	LT 125E	1984	R	
	KE 100	1979-1998	F&R	LT 160	1989-1992	R	
	KH 100	1978-1983	R	LT-F 160	1990-2003	R	
	KM 100	1978-1981	F&R	LT 160Quadsport	2003-2004	R	
	KLF 110 Mojave	1987-1988	F	LT 185 E/F	1984-1985	R	
	KLX 110R	2002-2024	R	SX 200SH41A	1990-1991	R	
	KLX 110L	2010-2021	R	LT 230G	1985-1986	R	
	KE 125A	1976-1985	R	LT-F 230 G/H	1986-1987	R	
	KLT 200	1981-1984	F	PE 250B/C/N	1977-1979	F&R	
	KLT 250 Prairie	1983-1985	F	PE 250T/X/Z	1980-1982	F&R	
	Z 250C/G	1981-1983	R	RM 250A/B/C	1976-1978	R	
	KLR 600	1984-1994	R	RM 250N	1979	F&R	
	SUZUKI			TS 250ER	1974-1982	F&R	
	A 50	1971-1976	F&R	SP 370 C/N	1977-1980	F&R	
	AP 50	1975-1978	F&R	DR 400 ST/SX	1979-1981	F&R	
	F 50	1971-1973	F&R	PE 400 T/X	1979-1981	F&R	
	FR 50	1974-1981	F&R	RM 400C	1978	R	
	RM 50	1978-1980	F&R	RM 400N	1979	F	
	TS 50	1979	F&R	SP 400 T	1980	F&R	
	TS 50ER	1980-1983	F&R	DR 500	1981-1988	F&R	
	FR 70	1974-1976	F&R				
	FR 80	1976-1983	F&R	S606 S606G	KAWASAKI		
	RM 80	1977-1979	F&R		KL 250 A1/A2	1978-1979	R
	TS 90 Blazer	1971-1973	F	SUZUKI			
	A 100 All Models	1974-1980	F&R	GS 250 TT/TX	1973-1978	R	
	ASS 100	1969-1971	R	GSX 250	1992-1996	R	
	GP 100C/N/X/DED	1978-1987	R	GT 250X7	1989	R	
	GP 100U	1979-1992	R	SW-1 250cc NJ45A	1992	R	
	RM 100A/B/C	1976-1978	F	GN 400 TT	1980	R	
	RM 100N/T/X	1979-1981	F	GS 400LX	1981	R	
	TS 100K/L/M	1973-1975	F	GSX 400ET/EX/EZ	1981-1983	R	
	110cc Smash	2003	F&R	LT-A 400Eiger	2002-2007	R	
	DR-Z 110	2003-2005	R	LT-A 400Eiger	2002-2004	R	
	FX 110 Shogun	2001	F&R	LT-F 400Eiger	2002-2007	R	
	Shogun-R FD-112	2004	R	LT-F 400Eiger	2002-2007	R	
	CS 125 D	1983	F&R	ST 400Tempter	1997-2003	R	
	FX 125	2002	R	GS 425 EN	1979	R	
	RV 125K	1973	F	GS 450	1980-1988	R	
	RV 125 Van-Van	2002-2018	R	GR 650Tempter	1983	R	
	TS 125K	1972	F	LS 650Savage	1987-1999	R	
	TS 185K	1973	F	DR 750SJ SR41A	1988	R	
	RV 200K2/K3	2002-2003	R	ATK			
	RV 200 Van-Van	2016-2019	R	GT 250V-Twin Cruiser	2011		
	RL 250L/M	1974-1975	F	HYOSUNG			
	RL 250Beamish	1978-1982	F	GV 250 Aquilia	2004-2007	R	
	RL 325	1980	F	GV 250 Classic	2008-2015	R	
	RL 350Beamish	1978-1982	F				
HYOSUNG			S608	SUZUKI			
FX 110 Midas - ECO/STD	1999-2002	F&R		T 20Super Six	1966-1968	F	
FX 110 DLX Midas	1999-2004	R		T 250II/R/J	1970-1972	F	
KR 110Master	2004-2005	R		T 350I/2/R/J	1969-1972	F	
MODENAS			GT 380J	1972	F		
Kriss 110	2000-2002	F&R					
MOTOROMA			S609	SUZUKI			
Go-Go 110	2001-2002	R		GT 250	1989	R	
				T 20 Super Six	1966-1968	R	
				T 250	1970-1972	R	
				T 350	1969-1972	R	
				GT 380	1972-1977	R	
				GS 400 B/C	1977-1978	R	
				GS 400 TX	1981	R	
				T 500	1968-1975	R	
				GT 500 A/B	1972	R	
			GT 550	1973-1975	R		
S604 S604G	KAWASAKI			S611	SUZUKI		
	KFX 50KSF	2003-2005	R		GT 550 A/B	1976-1977	R
	KLX 125	2003-2006	F&R		GS 550 DB/DC	1977-1978	R
	KLX 125L	2003-2006	R				
	SUZUKI				S612	SUZUKI	
	GS 50 K5 NA41A	2005	F&R	T 500		1968-1975	F
	OR 50 ET	1980	R	KAWASAKI			
	LT-A 50 Quadmaster	2002-2005	R	BJ 250 Estrella-RS Custom		1996-2002	F
	LT-Z 50 Quadsport	2006-2018	R				
	RB 50 H GSXR 50	1987	R				
	RM 50X/Z	1981-1982	F&R				
	ZR 50SLKX	1981	R				
	ZR 50	1983-1987	R				
	DS 80	1980-2000	R				
	JR 80	2001-2007	F&R				
RM 80	1980-1985	F&R					

BRAKE SHOE BUYERS GUIDE

Part No.	Make/Model	Year	F/R	Part No.	Make/Model	Year	F/R	
S613 S613G	KAWASAKI KDX 50	2003-2005	F&R	S624 S624G S624G Contd.	SUZUKI Contd. UE 125 CTK1	2001-2003	R	
	SUZUKI LT 50	1986-2002	R		UH 125New Burgman	2022-2024	R	
	JR 50 All models	1978-2007	F&R		UK 125Address	2022-2024	R	
	CL 50 D 'Suzi/Love'	1983	R		UE 150 CTKI	2001	R	
	CS 50Z/D Roadie	1983-1984	F&R		LT 160	1989-1992	F	
S614 S614G	KAWASAKI KFX 50KSF	2003-2005	F&R	LT-F 160	1990-2003	F		
	KFX 80KSF	2003-2006	F&R	LT 160 Quadspport	2003-2004	F		
	SUZUKI CL 50 D Suzi/Love	1983	F	ATALA Hacker	1997	R		
	CX 50 DF CA15A	1985	F&R	Hacker LC	1997	R		
	FS 50T/X Snip	1981-1982	F&R	Hacker Racing	1997	R		
	LT-A 50 Quadmaster	2002-2005	F	AT10Byte	1997	R		
	LT-Z 50 Quadspport	2006-2018	F	CAGIVA Cucciolo 50	1998-1999	R		
	LT 80	1987-2006	F	Progress50	1997-1999	R		
	E-TON DXL 90Sierra	1999-2003	F	DERBI Atlantis 50	1999-2001	R		
	EXL 150 Yukon ST	2005-2007	F	Atlantis 50LC	1999-2001	R		
	QUADZILLA R50	2003-2006	F&R	Hunter	1996-1999	R		
	WK 50White Knuckle Pit Bike	2006-2011	F&R	Paddock 50	1998-1999	R		
	WK 70White Knuckle Pit Bike	2006-2009	F&R	Predator 50	1998-2001	R		
	R100	2006-2009	F	Red Bullet 50	2004-2005	R		
	S615	SUZUKI RM 80	1982-1985	F	Vamos 50	1993-1995	F&R	
S616 S616G		SUZUKI RM 125 RM 250	1981-1987	R	Vamos/Vamos FL	1996-1999	R	
	1981-1983		R	Atlantis 100	2000-2001	R		
S617 S617G	SUZUKI TS 50 All models RM 100 N/T/X RM 125 N/T	1984-2002	F	HUSQVARNA WRS 50 Scooter	1998-2000	R		
		1979-1981	R	ITALJET Formula 50Air	1999-2003	R		
		1979-1980	R	Velocifero 50	1998-2002	R		
S618 S618G	SUZUKI LT 80 LT-Z 90 Quadspport PE 175 Z RM 250 T RM 400 T KAWASAKI KFX 80 KSF	1987-2006	R	Torpedo 50 All models	1998-2003	R		
		2007-2023	R	Torpedo 125	2007-2008	R		
		1982	F	PGO Charge A/B125	2001-2002	R		
		1980	F	Ligero125	2006-2008	R		
		1980	F	Ligero125	2008-2012	R		
S619 S619G	SUZUKI PE 175	1980-1982	R	PIAGGIO Diesis 100	2001-2003	R		
		S620 S620G	SUZUKI RM 250 N/T RM 400 N/T	1979-1980	R	S625 S625G	1985-1986	F
1979-1980	R			LT 230 G	1986-1987		F	
S621 S621G	SUZUKI LT 125 RM 250 X/Z RM 465 X/Z	1983-1987	R	LT-F 230 G/H	1985-1986		F	
		1981-1982	F	LT 250 EFF/EFG	1988-1989		F	
		1981-1982	F	LT-F 300 J/K				
S622 S622G	SUZUKI RM 125E RM 250D RM 500 D/E	1984	F	S626	SUZUKI LT-A 400 King Quad LT-F 400 King Quad VS 400 Intruder VS 600 VS 700 VS 750 Intruder VR51A VL 800 Intruder Volusia VL 800 C 50 Boulevard VS 800 Intruder VS52A VZ 800 Marauder M 800 VZ Intruder M800 M 800Z VZ Intruder M800 M 800 VZ Intruder	2008-2023	R	
		1983-1984	F			2008-2018	R	
		1983-1984	F			1994	R	
S624 S624G	SUZUKI AH 50N Address AH 50 N Address CA1GA AJ 50 Z/RS Sepia AP 50 AY 50Katana AZ 50LETS II AZ 507/8 Let 4/G CA45A CP 50 CHF CA14C UF 50 Y Estilete UR 50CA1MA/B Verde UX 50 WX/WY Zillion AH 80 Address CP 80 CHF AH 100 Address AH 100 P Address CE12A UK 110Address UK 110Address AN 125 AN 125HKK5 Avensis125	1992-1995	F&R			VS 600	1995-1997	R
		1992-1995	R			VS 700	1986-1987	R
		1992	R	VS 750 Intruder VR51A	1985-1991	R		
		1996-2002	R	VL 800 Intruder Volusia	2001-2015	R		
		1997-2004	R	VL 800 C 50 Boulevard	2005-2021	R		
		1999	R	VS 800 Intruder VS52A	1992-1999	R		
		2007-2008	R	VZ 800 Marauder	1997-2003	R		
		1985	F&R	M 800 VZ Intruder M800	2005-2013	R		
		2000-2002	R	M 800Z VZ Intruder M800	2009-2010	R		
		1999-2003	R	M 800 VZ Intruder	2014-2015	R		
		1999-2002	R	SACHS HERCULES Roadster 800	2002-2005	R		
		1992-1994	R	B805	2003-2004	R		
		1985-1993	F&R	S627	SUZUKI TS 125 X TS 250 X	1984-1990	R	
		1992-1994	R			1985-1989	R	
		1995-1996	R			S628 S628G	SUZUKI LT-F 250 LT-F 250 LT-F 4WD KAWASAKI KAF 300 Mule 500 KAF 300 Mule 550	1988-2001
1999-2002	R	1999-2002	F					
1987-1998	F	1987-1998	F					
1999-2002	R	S629 S629G	SUZUKI LT-F 250 LT-F 250 LT-F 4WD	1995-1996	F			
1992-1994	R			1997-2004	F			
1988-2001	R			S631	SUZUKI CP 50 C	1988-2001	R	
1999-2002	R	1985	R					
1987-1998	R	S632	SUZUKI AD 50 T/Tune/V-Tune			1988	R	

BRAKE SHOE BUYERS GUIDE

SHOE
BUYERS GUIDE

Part No.	Make/Model	Year	F/R	Part No.	Make/Model	Year	F/R	
S632 Contd.	SUZUKI Contd.			K706 K706G Contd.	KAWASAKI Contd.			
	AE 50 Style	1990-1996	F&R		ZR 400Z F	1983-1984	R	
	AZ 50 LETS II	1999	F		Z 440 C	1980-1981	R	
	AZ 50 Let 4-G CA45A	2007-2008	F		Z 440D LTD	1979-1984	R	
	CR 50 DC	2013	R		Z 440H	1982-1983	R	
	UR 50 CA1M Verde	1999-2003	F		ER-550	1997-2007	R	
	X5 CZ41A Choinori	2003	F&R		GPZ 500 S EX	1987-1993	R	
	TAISHAN Project Quads				ZR 550Z 550 F	1983-1984	R	
	Commuter 50	2003-2005	F		W 650EJ 650	1999-2005	R	
	Sport 50	2003-2005	F		W 800 EJ All Models	2011-2019	R	
S633 S633G	SUZUKI			K708	KAWASAKI			
	LT-F 4WD 250	1987-1998	F		250 SIB	1975	R	
	LT-F 300 King Quad	1999-2001	F		S2-350cc 2T	1972-1973	R	
	LT-F 4WD	1987-1998	F	S2-A350cc 2T	1972-1973	R		
				KH 400 A	1976-1978	R		
				S3/S3A 400cc	1974-1975	R		
S634 S634G	SUZUKI			K709	KAWASAKI			
	LT-F 4WD250	1987-1998	R		KH 250B	1977-1982	R	
	LT 250EFF/EFB	1985-1986	R		S1250cc	1973-1975	R	
	LT-F 300J/K	1988-1989	R		Z 400	1980-1983	R	
	LT-F 300King Quad	1999-2001	R		ZL 400 Eliminator	1986-1987	R	
	LT-F 300FK2	2002	R		ZL 400 Eliminator SE	1988	R	
	LT-F 4WD	1987-1998	R		ZL 400 1/D2	1994-1995	R	
	LT-A 500FY/FK1	2000-2001	R		LTD 454 EN A	1986-1989	R	
	LT-F 500X	1998-2002	R		EN 500A	1990-2004	R	
	RE 5 M/A	1975-1977	R		GT 550G	1983-2001	R	
	GT 750	1972-1977	R	Z 550A	1980-1982	R		
				Z 550LTD	1982-1984	R		
S635	KAWASAKI				ZL 600 B Eliminator	1995-1997	R	
	SC 150 A1 Epsilon	2002	R		Z 650B	1977-1979	R	
	SUZUKI				Z 650F1	1980	R	
	UC 125 Epicuro	1999-2002	R		Z 650F	1981-1983	R	
					VN 700 A1 Vulcan	1985	R	
					VN 750A	1986-1994	R	
					Z 750Y1 LTD	1982	R	
					VN 800	1995-2006	R	
S636 S636G	SUZUKI			K710 K710G	KAWASAKI			
LT-F 250 Quark	2002-2014	R			KLF 300 Bayou	1989-2005	R	
LT-Z 250 QuadSport	2004-2012	R			KVF 300 Prairie 4 x 4	1999-2002	R	
					KVF 300 Prairie 2 x 4	1999-2002	R	
					KLF 400 Bayou	1993-1999	R	
					KVF 400 Prairie	1997-1998	R	
					KVF 400 Prairie 4 x 4	1999-2002	R	
					KVF 400 Prairie 2 x 4	1999-2001	R	
					H1500 Mach III	1969-1970	R	
					H1-A 500 S Mach III	1971	R	
				H1 B&C 500 Mach III	1972	R		
				H1-500cc	1973-1975	R		
				KH 500 A8	1976	R		
K701 K701G	KAWASAKI			K711	KAWASAKI			
KX 80	1979-1983	F&R			250 S1B	75	F	
					S1-A/B/C 250cc	73-75	F	
					S2 350cc	72-73	F	
					Z 250 B1/B2/C1/C2/G1/G2	80-83	F	
K702 K702G	KAWASAKI				K713	KAWASAKI		
KX 125 A	1983-1985	R				H2-Mach IV 750cc	1972-1973	R
KDX 200	1983-1988	R				H2-C Mach IV 750cc	1974-1975	R
						Z 900 Z1 A/B	1974-1976	R
						Z 900	1977	R
K703 K703G	KAWASAKI			K714 K714G		KAWASAKI		
KH 125	1977-1981	R				KX 80	1983	F
KE 175D	1979-1983	R		K715 K715G		KAWASAKI		
KDX 200	1983-1985	F				KX 60	1983-2003	F&R
KLR 250	1984-2005	R				KX 80	1983	R
					KX 80	1984-1987	R	
K704 K704G	KAWASAKI				KLX 110R	2002-2024	F	
KE 125A	1976-1985	F			KLX 110L	2010-2021	F	
KX 125	1974-1980	F			SUZUKI			
KDX 175 A	1980-1982	F			RM 60	2003	F&R	
KE 175	1976-1983	F			DR-Z 110	2003-2005	F	
KL 250A	1980-1984	F&R			K717 K717G	KAWASAKI		
KT 250 All models	1975-1980	F		KLF 300 Bayou		1986-1987	F	
				K718	KAWASAKI			
K705 K705G	KAWASAKI				KAF 300 Mule 500	1995-1996	R	
KLF 220 Bayou	1988-2002	F			KAF 300 Mule 550	1997-2004	R	
KDX 250B	1979	F			KAF 400 Mule 610 4 x 4	2006-2010	F	
KDX 250B	1980-1984	F			KAF 400 Mule 610 4 x 4	2011-2016	F	
KL 250 A1/A2	1978-1979	F						
KLF 250 Bayou	2003-2011	F						
KLT 250 Prairie	1983-1985	R						
KX 250A	1975-1979	F						
KX 250A	1980-1981	F						
KXT 250 A1 Tecate	1984	F						
KX 420A	1980-1981	F						
K706 K706G	KAWASAKI							
KLF 185 Bayou	1987	R						
KLT 200	1981-1984	R						
KLF 220Bayou	1988-2002	R						
ER 250T Scorpion	1983-1988	R						
EL 250Eliminator	1987-1989	R						
EL 250D	1990-1994	R						
EL 250 F Eliminator	1996-2003	R						
BJ 250Estrella Custom	1996-2002	R						
BJ 250Estrella RS Custom	1996-1999	R						
BJ 250TR	2002-2003	R						
KLF 250Bayou	2003-2011	R						
Z 250B	1980-1983	R						
KLF 300 Bayou	1986-2004	R						
GPZ 305 A/B	1983-1996	R						
Z 400	1978-1980	R						

BRAKE SHOE BUYERS GUIDE

Part No.	Make/Model	Year	F/R	Part No.	Make/Model	Year	F/R
812G	KTM			816 Contd.	Liberty 50 i-get	2015-2024	R
	MX 125	1983	R		Liberty 50 S	2007-2008	R
	125/175	1984	F&R		Liberty 50 S	2007-2008	R
	125 GS	1983	F		Liberty Elettrico	2011-2012	R
	420 GS	1985	F&R	New Fly 50 4V	2012-2013	R	
813G	KTM			Typhoon50	2010-2016	R	
	250	1982	R	Fly100	2007-2015	R	
	250 MX Leleu	1982	R	Free100	2002	R	
	250 XC/GS	1983	R	Fly125	2005-2011	R	
	350	1982	R	Fly 125i	2012-2015	R	
	350 Four Stroke	1983	R	Hexagon LX4 125	1998-1999	R	
	495	1982	R	Liberty125	1998-2008	R	
	495 MX Leleu	1982	R	Liberty125	2009-2012	R	
814G	KTM			Liberty125	2013-2015	R	
	80 MX	1986-1992	R	Liberty125	2013-2015	R	
	GSXC/GS 125	1985	R	Liberty125 i-get	2015-2024	R	
	MX 125	1984	F&R	Liberty125 IGET CORPORATE ABS	2022-2024	R	
	MX/MXC 125	1985	R	Liberty125 S	2007-2008	R	
	GSXC/GS 250	1985	R	Skipper LX 125/150	1998-1999	R	
	MX/MXC/GS 250	1984	F&R	Skipper 125/150 ST	2000-2004	R	
	MX/MXC 250	1985	R	Skipper 125/150 ST	2000-2004	R	
	GSXC/GS 300	1985	R	Typhoon 125	2010-2015	R	
	MX/MXC 300	1985	R	X8Street 125	2006-2007	R	
	MX/MXC/XC-GS 500	1985	R	Fly150	2005-2012	R	
	816	APRILIA			Liberty 150	2008	R
		Scarabeo 50 Street TH00/THE00	2005-2009	R	Liberty 150	2009-2012	R
Scarabeo 50TG000		2002-2006	R	Liberty 150	2013-2015	R	
Scarabeo 50TGA00/TGB00		2006-2009	R	Liberty 150	2013-2015	R	
Scarabeo 50		2014-2017	R	Liberty 150	2013-2015	R	
Sport CityOne 50		2008-2011	R	Liberty 150 i-get	2015-2021	R	
Sport CityOne 50		2008-2009	R	X8Street 150	2006-2008	R	
SR 50Motard		2012-2015	R	Hexagon180 LX	1998-1999	R	
SR 50Motard		2013-2015	R	Hexagon180 LXT	1998-1999	R	
SR 50Motard		2018	R	Liberty 200	1998-2007	R	
SXR 503V E5 HE 4T		2021-2024	R	Liberty 200 S	2007-2008	R	
Scarabeo 100SA000/VA000		2001-2009	R	SCARABEO			
Habana 125Habana Custom		2000-2002	R	50 /Street	2010-2015	R	
Mojito 125Mojito Custom		2003-2012	R	50 Net /4V	2010-2011	R	
Sport City One 125		2008-2011	R	50 /4V	2010-2015	R	
SR 125/150		1999-2002	R	50 YourZ /4V	2010-2011	R	
SR 125 Motard		2012-2015	R	100	2010-2015	R	
BENELLI				VESPA			
Mala 50		2013	R	Primavera 50	2013-2021	R	
Pepe 50		2010-2014	R	Primavera 50Touring	2015	R	
Pepe 50		2012-2016	R	Primavera 50	2013-2015	R	
Adiva 125		2000	R	Primavera 50Touring	2015	R	
Adiva 150		2000	R	Sprint 50	2014-2015	R	
CAGIVA				Sprint 50	2014-2020	R	
Nuvola125		2000	R	Sprint 50S	2015	R	
DERBI				Sprint 50S	2015	R	
Atlantis 50		2004-2006	R	Primavera 125	2013-2020	R	
Atlantis 50		2007-2009	R	Primavera 125	2013-2021	R	
Boulevard 50		2009-2012	R	Primavera 125Touring	2015	R	
Boulevard 50		2009	R	Primavera 125Touring	2015-2021	R	
Sonar 50		2010-2011	R	Sprint 125	2015-2020	R	
Variant Sport 50		2012	R	Sprint 125S	2015-2021	R	
Atlantis 100		2004-2006	R	Sprint 125S	2015-2020	R	
Boulevard 125		2003-2007	R	Primavera 150	2013-2020	R	
Boulevard 125		2008-2012	R	Primavera 150	2013-2015	R	
Sonar 125 R		2010-2011	R	Primavera 150Touring	2015	R	
Variant Sport 125		2012	R	Primavera 150Touring	2015	R	
Boulevard 150		2003-2007	R	S 150Sprint	2015-2020	R	
Sonar 150		2009-2010	R	Elettrica	2019-2020	R	
Boulevard 200		2005	R				
GILERA				817	APRILIA		
125/180 FX/FXR Runner		1997-2002	R		Habana 50 All models	1999-2002	R
ITALJET					Mojito Custom 50	1999-2003	R
Jet Set 50cc		2002-2003	R		Mojito Retro 50	1999-2003	R
Dragster 125/180 LC		1999	R		SR 50 H20 Ditech	2000-2003	R
Dragster 125/180 LC		2000-2012	R				
Torpedo 125Pro		1999-2009	R		818	KYMCO	
MALAGUTI				Agility 50 R16	2008-2021	R	
Centro 50/SL	2008-2011	R		Looker 50BA10AD JP	2007-2008	R	
Ciak 50Master	2004-2008	R		People S 50	2005-2015	R	
PIAGGIO				People S 50B91000	2006-2021	R	
Fly50	2005-2018	R		People 50BA10AD	1999-2011	R	
Fly50	2005-2018	R		Super 8 50	2007-2015	R	
Liberty 50	1997-2008	R		Super 8 50	2007-2023	R	
Liberty 50	1997-2008	R		Agility 125	2006-2014	R	
Liberty 50	2000-2008	R		Agility 125RS	2009-2015	R	
Liberty 50	2000-2008	R		Looker 125 SBA25BA JP	2007-2008	R	
Liberty 50	2009-2014	R		Movie 125 SL25AA	1999-2000	R	
Liberty 50	2009-2014	R		Movie XL 125/150 S510/500	2001-2009	R	
				People S 125 BA25BA	2005-2006	R	
				People 125 B20000/10/11	1999-2014	R	
				Vivio 125/150 SL25BA/30AC	2000-2003	R	
				People 150B200001/20	1999-2004	R	
				Super 8 150 X	2019-2021	R	

BRAKE SHOE BUYERS GUIDE

Part No.	Make/Model	Year	F/R	Part No.	Make/Model	Year	F/R				
818 Contd.	KYMCO Contd. People S 200 D11000	2005-2006	R	841G Contd.	GARELLI Trial 320	1985	R				
	MALAGUTI Ciak 125/150	2001-2008	R		MALANCA 125 Mark Enduro	1985	R				
	Ciak 200	2006-2008	R		SVM SWM 50/80 MK/GS/RBS Enduro	1983	R				
819	SYM CT 125	2003-2004	R	50/80 MK/MC Cross	1983	R					
	Huskey 125/150	1999-2005	R	125/240/320/350HM/MW/TL Trial	1983	R					
	Wolf Legend	2004-2005	R	125/250 S1/S2	1983	R					
820	BAROSSA XS 125 T-13	2007-2010	R	323 Trial	1985	R					
	PIZZA PEDS Pizza Delivery Scooter 125cc	2012-2015	R	350 XP Sahara	1983	R					
	SYM Allo 50	2011-2015	R	842G	CAGIVA SST 250/350	1980-1982	R				
Allo 50 GT	2013-2015	R	SX 250/350		1982	R					
Allo 50 GT	2018-2020	R	843G		ASPES CS 75 Navaho/125 Juma/Hopi	1975	R				
Crox 50	2015-2021	R		FANTIC 50 StradaSuper Six	1973	R					
Shark 50	1999-2003	R		50 StradaR	1982	R					
Allo 125	2011-2015	R	80 EnduroR	1980	R						
Com Biz 125	2011-2015	R	80 Cross CompetitionR	1981	R						
Crox 125	2015-2021	R	PUCH M 50 Sport	1973-1974	R						
Euro MX 125 HF12-W6 Euro 1	2002-2007	R	M 50 SDP	1975-1977	R						
HD 125/200	2004-2007	R	SVM SWM 125/175/250/347/440Enduro	1983	R						
HD 125 S Evo	2007	R	125/250/440 Cross	1983	R						
Megalo 125	2000-2007	R	XN 506 Enduro	1984	R						
Orbit 125	2008-2009	R	844	CAGIVA XSST 125	1980-1982	R					
Shark 125/150	1999-2002	R					844G	SST 250/350	1980	R	
Tonik 125	2011-2015	R									845
VS 125	2006-2015	R	GILERA 50 Rally	1987	R						
Allo 150	2011-2015	R	821G	GARELLI RSX 125	1981	F&R					
Crox 150	2015	R					MAICO All Models	1984	F		
Jet 4 150cc	2013-2015	R					MOTO MORINO 125 Monocilindro	1979	R		
VS 150	2006-2015	R	125 KJ/T/KT/Kanguro	1984	R						
TGB Delivery/Express 125	2004-2014	R	125/175 'Rambler'	1978	R						
303R Hawk/Laser125/150	2004-2008	R	125 KJ/T/KT/Kanguro	84-	R						
303R Hawk/Laser125/150	2009-2014	R	125/175 'Rambler'		R						
821G	GARELLI RSX 125	1981	F&R	851	NORTON Commando	68-70	R				
	MAICO All Models	1984	F	852	NORTON Commando	1968-1970	F				
	MOTO MORINO 125 Monocilindro	1979	R	853	TRIUMPH T 120 650cc Twin Leading	1966-1970	R				
125 KJ/T/KT/Kanguro	1984	R	854	TRIUMPH T 120 650cc Twin Leading	1966-1970	F					
NTV 125/175 'Rambler'	1978	R	856	PUCH M2 50cc Sport	1974	F&R					
125 KJ/T/KT/Kanguro	84-	R	M3 50cc Sport	1975	F&R						
NTV 125/175 'Rambler'		R	822G	MAICO All Models	1984-1985	R					
822G	MAICO All Models	1984-1985					R	841G	ACCOSSATO 50/80 Cross/Enduro	1983	F&R
841G	C 50 Cross/Enduro/Competition	1984					R		C 50 Cross/Enduro/Competition	1984	R
	CE 80/125Cross/Enduro H 20	1984	R	APRILIA 250	1986	R					
	APRILIA 250	1986	R	ARMSTRONG 250/320Trials bike	1984	R					
ARMSTRONG 250/320Trials bike	1984	R	BETA 124 TR	1980-1983	R						
BETA 124 TR	1980-1983	R	TR 125	1980-1983	R						
TR 125	1980-1983	R	TR 12532/33	1986-1987	R						
TR 12532/33	1986-1987	R	240 TR	1980-1983	R						
240 TR	1980-1983	R	240 TR32	1984-1985	R						
240 TR32	1984-1985	R	240 TR33	1986	R						
240 TR33	1986	R	CAGIVA SXT125	1982	R						
CAGIVA SXT125	1982	R	WMX125	1985	R						
WMX125	1985	R	WMX 250	1985	R						
WMX 250	1985	R	FANTIC 50 StradaR	1982	R						
FANTIC 50 StradaR	1982	R	50 Repl./Enduro Repl.R	1985	R						
50 Repl./Enduro Repl.R	1985	R	50 EnduroCompetition	1982	R						
50 EnduroCompetition	1982	R	50 Casa/CompetitionR	1975	R						
50 Casa/CompetitionR	1975	R	50 FastR	1988	R						
50 FastR	1988	R	80 Cross CompetitionR	1981	R						
80 Cross CompetitionR	1981	R	201 MonoshockR	1986	R						
201 MonoshockR	1986	R	301 MonoshockR	1986	R						
301 MonoshockR	1986	R	841G	PEUGEOT Kissbee 100	2017	R					
841G	Elyseo 125/150	1998-2001		R	857	PEUGEOT Kissbee 100	2017	R			
	BSA Bantam D7	1965		F&R	858	BSA Bantam D7	1965	F&R			
	TRIUMPH Cub 200	1969	F&R	TRIUMPH Cub 200	1969	F&R					
BMW R 80 RT	1988-1995	R	859	BMW R 80 RT	1988-1995	R					
R 80GS	1987-1995	R		R 80GS	1987-1995	R					
R 80 PD/CH	1990-1995	R		R 80 PD/CH	1990-1995	R					
R 80 Mystic	1994-1995	R	R 80 Mystic	1994-1995	R						
R 80R	1991-1994	R	R 80R	1991-1994	R						
R 850GS	1996	R	R 850GS	1996	R						
R 100GS	1986-1994	R	R 100GS	1986-1994	R						
R 100 PD	1989-1996	R	R 100 PD	1989-1996	R						
R 100RS	1990-1992	R	R 100RS	1990-1992	R						
R 100RT Sept. 1989-1995	1989-1995	R	R 100RT Sept. 1989-1995	1989-1995	R						
R 100 Mystic	1993-1996	R	R 100 Mystic	1993-1996	R						
R 100R	1991-1995	R	R 100R	1991-1995	R						
860	BMW R45 N	1978-1980	R	860	BMW R45 N	1978-1980	R				
	R50/5/60/5/60/6/75/5R	1969-1976	R		R50/5/60/5/60/6/75/5R	1969-1976	R				
	R 60 7R	1976-1980	R		R 60 7R	1976-1980	R				
R 60 TIC R	1978-1982	R	R 60 TIC R	1978-1982	R						
R 75/6 75/7R	1973-1979	R	R 75/6 75/7R	1973-1979	R						

BRAKE SHOE BUYERS GUIDE

Part No.	Make/Model	Year	F/R	Part No.	Make/Model	Year	F/R
860 Contd.	BMW			893 Contd.	APRILIA Contd.		
	R 80R	1977-1980	R		Sonic All models	1998-2008	R
	R 80 TIC	1978-1980	R		SR 50	1993-2001	R
	R 90 SS	1973-1976	R		SR 50 Stealth/Racing	1997-1999	R
	R 90/6R	1973-1976	R		BENELLI		
	R 100R	1976-1977	R		Naked 50	2002-2003	R
	R 100 7 T	1977-1980	R		Pepe 50	1999-2001	R
	R 100 S R	1976-1980	R		49150cc	1998-2004	R
R 100 RS	1976-1980	R	K2 50	1998-2001	R		
R 100 RT 1978-Sept 1980	1978-1980	R	Naked 100	2002	R		
861	BMW			Pepe 100LX	1999-2006	R	
	K75-2 1984-July 1990	1984-1990	R	BETA			
	K75-2 Sept. 1988-1996	1988-1996	R	ARK	1996-2014	R	
	K75 C 1985-August	1985-1988	R	Quadra 50	1997-2001	R	
	K75 C Sept. 1988	1988-1990	R	Tempo 16	1994-1997	R	
	R45 N	1980-1985	R	Tempo 50	1998-2002	R	
	R 45T	1980-1985	R	CAGIVA			
	R 65R	1988-1989	R	City 50	1991-1994	R	
	R 65GS	1987-1992	R	MALAGUTI			
	R 65T	1980-1985	R	50 America	1991	R	
	R 65RT	1985-1988	R	50 Raid	1991	R	
	R 100 7T	1980-1984	R	Centro SL/SL Cat 50	1994-2000	R	
862	BMW			Centro Base 50	1993-1994	R	
	R 65 LS	1981-1985	R	Ciak 50	2000-2004	R	
863	BMW			F10 Jetline 50	1991-1993	R	
	K 75	1984-1988	R	F10 Jetline 50	1994-2007	R	
864	BMW			F10 Tribal	2008-2010	R	
	R50/5/60/5/60/6/75/5R	1969-1976	F	F10 Jetline WAP	2006-2010	R	
873	MOTO BECANE			F10 WAP	2010-2011	R	
	Atom Hub 50 All Models	1988	R	Phantom F12	1994-1998	R	
	Leleu Hub 50 All Models	1988	R	F12 Phantom 50	1994-2003	R	
	KTM			F12 Phantom	2002-2008	R	
60 SX	1998-1999	R	Phantom F12R 50	2007-2011	R		
65 SX	1998-1999	R	F15 50 Firefox	1996-1998	R		
877	GARELLI			F15 Firefox	1999-2008	R	
	50 Team Matic	1988	F&R	F69 Phantom 70cc	1998	R	
881	PIAGGIO			Yesterday	1998-2003	R	
	Cosa CL/CLX 125/200	1988-1991	R	PEUGEOT			
	Cosa 2 125	1991-1997	R	Django 50 Evasion 2T	2014-2021	R	
	Cosa CL/CLX 150	1988-1991	R	Django 50 Evasion 4T	2014-2018	R	
	Cosa 2 150	1991-1997	R	Django 50 Sport 2T	2014-2021	R	
	Cosa CL/CLX 200	1988-1991	R	Django 50 Sport 4T	2014-2018	R	
882	PIAGGIO			896	PIAGGIO		
Cosa CL/CLX 125/200	1988-1991	F		Superbravo 50	1985-1990	F	
Cosa 2 125	1991-1997	F		Zip & Zip 50 Bimodale	1994-1997	F	
Cosa CL/CLX 150	1988-1991	F	897	SUZUKI			
Cosa 2 150	1991-1997	F		TR 50 SW/SX Street Magic	1998-2000	R	
Cosa CL/CLX 200	1988-1991	F		UG 110 Hokuto/Address	1998-2002	R	
Cosa 2 200	1991-1997	F		HYOSUNG			
883	GILERA				GPS 125Grand Prix/Hyper	1999-2004	R
Bullit 50	1990	R		PGO			
885	PIAGGIO				Big Max 50R	1994-2006	R
	Sfera 50 Base	1991-1993		F	Big Max 50S	2003-2004	R
	Sfera 50 Maquillage 2	1994		F	Big Max 50R	2007-2009	R
SKR 80 City	1999	F		Big Max 50	2007-2009	R	
886	PIAGGIO				EPS	1997	R
	Typhoon 50 All models	1993-1995		R	Galaxy 50	1994	R
Quartz 50	1992-1996	R	G-Max 50	2005-2007	R		
889	MONTESA			G-Max 50	2009	R	
	Old Models	1968-1976	R	G-Max 50	2008-2012	R	
890	PIAGGIO			Ligero 50	2008-2012	R	
	S1 Mix 50	1992-1993	F&R	Mega 50	1994	R	
893	APRILIA			PMX 50	2000-2022	R	
	Amico All models	1996-1998	R	Rodo Show50	2000-2009	R	
	Gulliver 50 All models	1995-1998	R	T-Rex 50	1999-2012	R	
	Rally All models	1995-2002	R	Tornado50/125	1997	R	
	Scarabeo 50 HS/HL	1993-1997	R	PMX110	2000-2022	R	
	Scarabeo 50H2/HL	1993-1997	R	T-Rex 110	1999-2006	R	
	Scarabeo 50 PF0100	1998-1999	R	SINNIS			
	Scarabeo 50 PFG00/TH000	2000-2005	R	QM 50T-10R Eagle 50	2010-2012	R	
	Scarabeo 50 Classic PF0100	1998-1999	R	QM 5010A B Hawk	2008-2010	R	
				TGB			
				Bullet 2 50	2011-2012	R	
				City 50	2007-2008	R	
				City 50	2007-2011	R	
				Delivery Scooter 50	2004-2006	R	
			Delivery Express 50	2006-2012	R		
			Akros Tec 50	2003-2004	R		
			High Wheel 50	2002-2003	R		
			Tapo RS 50	2010-2012	R		
			Tapo RR 50	2010-2012	R		
			Trigger 50	2002-2003	R		
			X Race 50	2011-2012	R		
			101 R 50	2004-2009	R		

BRAKE SHOE BUYERS GUIDE

Part No.	Make/Model	Year	F/R	Part No.	Make/Model	Year	F/R	
897 Contd.	TGB Contd.			V903 Contd.	PIAGGIO Contd.			
	202 Classic 50	2003-2014	R		Sprint Veloce VLB1150	1974	R	
	302 Sport 50	2003-2009	R		Rally 200 VSE1	1974	R	
	303R Hawk/Laser50	2004-2014	R		VESPA			
	303 Revolution 50/125	2002-2003	R		PK 50	1982-1985	R	
	304 Sport 125	2003-2009	R		PK 50S	1982-1985	R	
	F409 Cruise 50/125	2002-2005	R		PK 50SS	1983-1985	R	
309 RS 50 50	2002-2003	R	PK 50XL	1985-1988	R			
899	APRILIA			PK 50XL	1988-1989	F&R		
	Mojito Custom 50 Mk1	2004-2012	R	50 N	1989-1990	F&R		
	DERBI			FL 50	1990	F&R		
	Atlantis 50	2002	R	LX 60Special Anniversary Model	2006	R		
	Atlantis 50 Bullet	2003-2005	R	FL 125	1989-2000	F&R		
	Atlantis 50 City	2003-2006	R	PX 125E/EFL	1981-1997	F&R		
	Atlantis 50 Red Bullet	2003	R	PK 125	1982-1985	F&R		
	Atlantis 50 Two Chic	2005	R	PK 125S	1982-1985	F&R		
	Atlantis 50	2007-2011	R	PX 125T5	1985-2000	F&R		
	GILERA			PX 125	1998-2011	R		
	Ice 50cc	2001-2002	R	PX 125	2011-2016	R		
	Runner 50	1998	R	PX 125Touring	2015	R		
	Stalker 50	1997-2011	R	PX 150E/EFL	1981-1997	F&R		
	SKP 50	1998	R	PX 150	1998-2015	R		
	Typhoon 125	1995-1998	R	PX 150Touring	2015	R		
	Typhoon 125 X-XR	1999-2000	R	PX 200E/EFL	1981-1997	F&R		
	PIAGGIO			PX 200	1998-2007	R		
	Diesis 50	2001-2005	R	V904	VESPA			
	Free 50 Delivery	2000-2001	R	50 S	1975-1983	R		
	Free 50	2002	R	125 Primavera	1967-1983	R		
	NRG 50 RST DT/DD MC2	1998	R	125 ET3	1976-1983	R		
	NRG 50 Extreme	1999-2001	R	V905	PIAGGIO			
	NRG 50 DT MC3	2001-2005	R	Super VBC1150	1974	F		
	NRG 50 Power DT	2005-2013	R	VESPA				
	Typhoon 50 XR	2000	R	50 R	1970-1983	F		
	Typhoon 50	2000-2009	R	50 S	1975-1983	F		
	Velofax 50	1996-1999	F	50 Special Edition	1991	F		
	Zip 50 RST	1996-1999	R	50 S	1968	F		
	Zip 50	2000-2020	R	PK 50	1982-1985	F		
	Zip 50 SP	1996-2015	R	PK 50S	1982-1985	F		
	Zip 100	2006-2010	R	PK 50SS	1983-1985	F		
	Hexagon 125/150	1994-1997	R	PK 50S Automatica	1984-1989	F		
	Skipper 125/150	1994-1997	R	PK 50XL	1985-1988	F		
	Sfera 125	1995-1997	R	PK 100 XL	1978-1983	F		
	Typhoon 125	1999-2003	R	125 Primavera	1967-1983	F		
	Zip 125	2000-2004	R	125 ET3	1976-1983	F		
	VESPA			V906	VESPA			
	S 50	2007-2013	R	50 R	1970-1983	R		
	S 50 Sport	2011-2013	R	50 Special Revival	1991	R		
	LX 50	2005-2013	R	50 S	1968	R		
	LXV 50	2007-2009	R	PK 100 XL	1978-1983	R		
	ET2 50cc	1997-2005	R	V907	PIAGGIO			
	ET4 50cc	2000-2004	R	Boss50	1988-1989	R		
	ET4 50cc	2000-2004	R	Bravo50	1973-1981	R		
	LXV 125	2007-2012	R	Bravo50	1973-1981	R		
	S 125	2007-2013	R	CiaoAll models	1971-1999	R		
	S 125 Sport	2011-2013	R	CiaoMix Teen 50	1996-2001	R		
	ET4 125	1996-1999	R	Ciao50 Catalitico	1999-2005	R		
	ET4 125/150	1999-2005	R	Grillo 50	1989-1993	R		
	LX 125	2005-2013	R	Si50	1979-1988	R		
	LX 125 Serie Speciali	2012	R	Si50	1979-1988	R		
	LX 150	2005-2013	R	Si50	1991-1997	R		
	LX 150 Serie Speciali	2012	R	S1 Mix 50	1996-1999	R		
	S 150	2007-2012	R	Superbravo 50	1985-1990	R		
	V901	PIAGGIO (VESPA)			908	BENELLI		
	GTR VNL2125	1974	F		Motorella	1978	F&R	
	Sprint Veloce VLB1150	1974	F		MALAGUTI			
Rally 200 VSE1	1974	F		Chopper 25/40	1982	R		
V902	PIAGGIO (VESPA)			50 LX Sport	1982	R		
150 Super (VBC1)	1974	R		50 Ronco RCW	1982	R		
V903	LML			VA Olympique	1982	R		
Star Deluxe 125	2001-2003	F&R		Chopper 80	1982	R		
Star Deluxe 125	2001-2003	R		NVT				
Star Deluxe 150	2001-2003	F&R		Easyrider	1978	F&R		
Star Deluxe 150	2001-2003	R		PIAGGIO				
Star 125All models	2010-2014	R		Free	1992-2000	F		
Star 125iAll models	2010-2015	R		909	FANTIC			
Star 150All models	2010-2014	R		50 Sprinter/3V.R	1983	F&R		
Star 150All models	2010-2014	R		GILERA				
Star 150iAll models	2010-2015	R		50 Trend	1989	F&R		
Star 151iAll models	2010-2015	R		PIAGGIO (VESPA)				
Star 200iAll models	2010-2015	R		Boss50	1988-1989	F		
PIAGGIO								
FL 250 HP	1991-1997	F&R						
GTR VNL2125	1974	R						

BRAKE SHOE BUYERS GUIDE

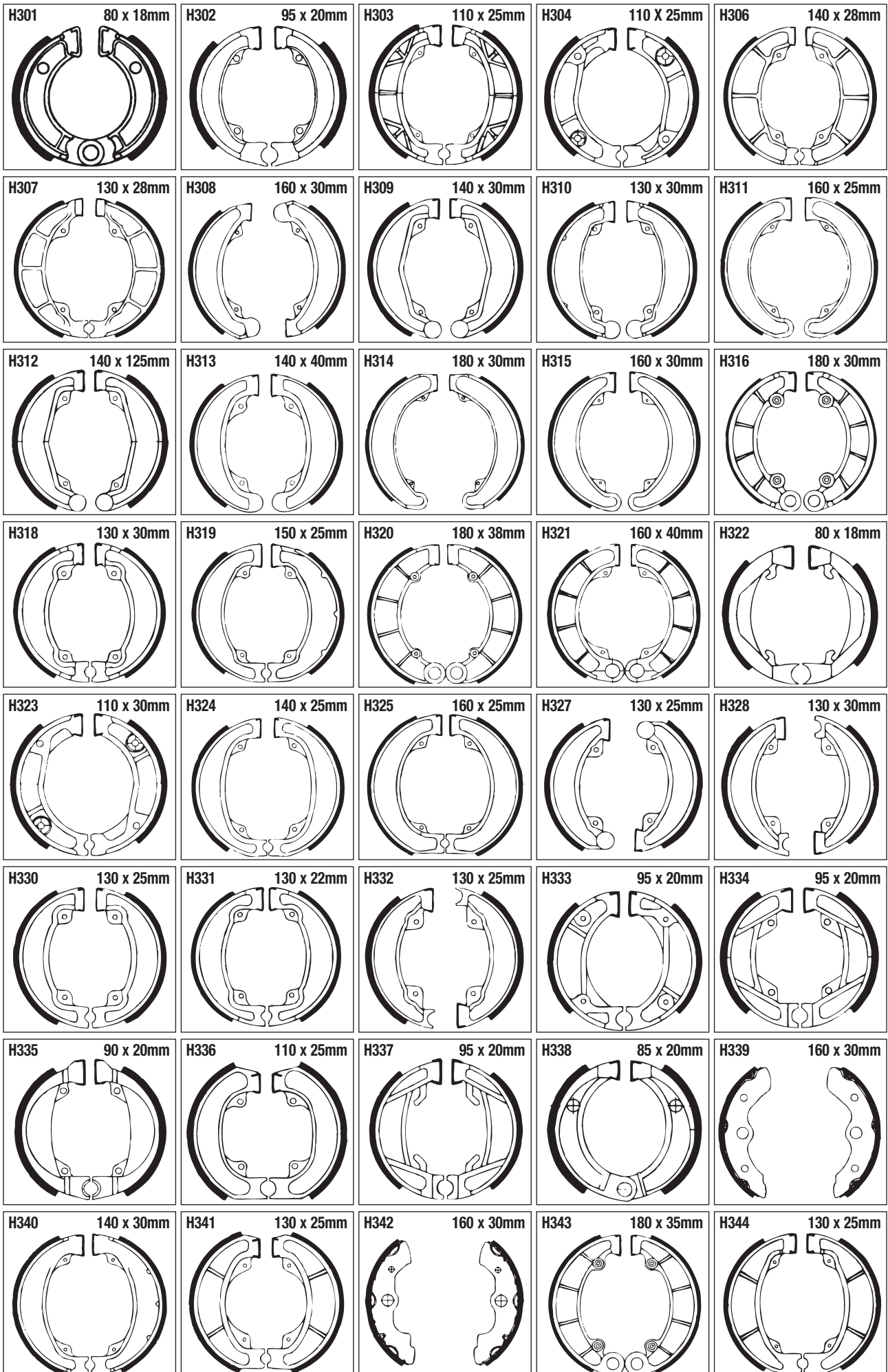
Part No.	Make/Model	Year	F/R	Part No.	Make/Model	Year	F/R	
909 Contd.	PIAGGIO (VESPA) Contd.			931 931G	BENELLI			
	Bravo50	1973-1981	F		50G2 Elle	1979	F&R	
	Bravo3	1987-1990	F		GARELLI			
	CiaoAll models	1971-1999	F		Formuno 50	1987	R	
	Ciao50 Catalitico	1999-2005	F		Formuno 50	1987	R	
	Grillo 50	1989-1993	F		50 Team Matic	1988	R	
	Si50	1979-1988	F		MALAGUTI			
	Si50	1991-1997	F		50 RGT Strada	1983	F&R	
Zip 50 Base	1992-1996	F	50 Custom Fox	1987	F&R			
921	APRILIA Classic 125			50 Dribbling	1987	F&R		
	Classic 125	1995-2001	R	50 Fifty RV	1990-2000	F&R		
	Red Rose 125	1988-1994	R	50 Grizzly RCX 10	1990-2000	F&R		
	DUCATI			50 Grizzly RCX 12	1990-2000	F&R		
	250/350/450 Desmo/Single	1974-1977	R	Grizzly RCW4	2001-2007	R		
	GARELLI			Grizzly 10 50	2001-2007	R		
	TSR 125	1983	R	Grizzly 10 50CE	2008-2009	R		
	TSR 125	1983	R	Grizzly 12	2008-2009	R		
	GILERA			Grizzly Quad	1987	R		
	RV 125	1988	R	50 Ranocchio 3 Wheels	1987	R		
	Coguar 125	1999-2002	R	PUCH				
	LAVERDA			Magnum 50ccAutomatic Kid's Bike	1978-1980	F&R		
	LB 125 Custom/Sabbia Strada/Sport	1985-1987	R	932	PUCH			
	LZ 125 Sport	1980-1982	R		M 50 Grand Prix	1974-1977	F&R	
	LZ 125 Sport	1980-1982	R	M 50 SDP	1975-1977	R		
	MOTO MORINI			933G	MONTESA/HONDA			
	All models250	1971	R		Cota 123/290/349	1983	F&R	
	Sport350	1980	R		348 Trial	1976-1980	R	
FT Turismo350	1980	R	934G	OSSA				
SACHS HERCULES				Cross125	1974	F		
Bee 50	2008-2010	R	250 Cross/Fuego/Super Pioneer250	1974	F			
922 922G	FANTIC			937G	MONTESA/HONDA			
	50 Trial	1983	F&R		Cota 123/200/242/349	1984	F	
	50 EnduroR	1983	F&R	940G	ACCOSSATO			
	50 CaballeroR	1983	F&R		CE 80/125Cross/Enduro H 20	1984	F	
	80 TrialR	1983	F&R	V942	PIAGGIO (VESPA)			
	MALAGUTI				PK 50S Automatica	1984-1989	R	
	50 EnduroGold MDX	1987	R		FL2 Automatica	1990-1991	R	
	50 EnduroMEX	1985-1986	R		PK 125S Automatica	1984-1989	R	
	50 EnduroMEX	1987	R		944G	CAGIVA		
	50 EnduroMGX	1987	F&R			WMX 125 (Rimoldi Hub)	1985	F
	50 EnduroMLX	1987	R		HRD			
	50 EnduroMSX	1985	R		RP 80 Cross	1983	F&R	
	50 RGT Sport	1985	R	945	BENELLI			
	50 Fifty HF/NL 4 gears	1987	F&R		S 50 Scooter	1981	F	
926 926G	ACCOSSATO			FANTIC				
	50 Cross Mini	1982	F&R	50 Joy	1992	F&R		
	ASPES			946	BENELLI			
	50 Navaho	1972	F&R		125 2C twin brake	1976	F	
	MALAGUTI			949	CZ / JAWA			
	50 Fifty HF	1982	R		125 Chopper	2003-2004	R	
50 Watercooled	1982	R	125/175/250/350		1974-1975	F&R		
50 Fifty Full/CX	1983	R	350 Chopper		2003-2004	R		
50 Fifty Top	1985	R	350 Tramp	2003-2004	R			
SWM (SWM)			350 Californian	2003-2010	R			
50/80 TR/TL Trial	1983	F&R	350 Classic	2003-2004	R			
927G	MOTO MORINI			350 New Classic	2013-2014	R		
	350 Kanguro	1983-1986	R	950	CZ / JAWA			
928	DUCATI				Scrambler Cross 125-380	1965-1976	F&R	
	250/350/450 Desmo/Single	1976	F	Jawa Cross 250/400	1965-1976	F&R		
929	BENELLI			250/380Models 513/514	1977-1979	R		
	62.5C/TS	1976	R	951	CZ / JAWA			
	124/125/1262C/2CSE	1976	R		125/175/250/350	1975	F	
	1252C Twin Brake	1976	R	953	CAGIVA			
	254	1983	R		125 Elefant RE	1987	R	
	304	1983	R	954	GILERA			
	500 4	1976	R		125 RX	1984	R	
	DUCATI				RC 125Rally	1987-1988	R	
250/350/450 Desmo/Single	1976	R	RV 125Arizona		1988	R		
930G	FANTIC				RX 200/Arizona/Enduro	1985	R	
	Trial 50 JuniorR	1987	R		200 Arizona Hawk	1985	R	
	50/50.1 RaiderR	1981	R	200 RTX	1985	R		
	50.1 OasisKS/Rally	1986	R	200 ER	1987	R		
	50.1 TrialR	1986	R					
	80 TrialR	1983	R					
	GARELLI							
Trial 323	1986	R						
MALAGUTI								
50 EnduroRCX-W/Sahib	1983	R						

BRAKE SHOE BUYERS GUIDE

Part No.	Make/Model	Year	F/R
965	BENELLI S 50 Scooter	1981	R
975	ZUNDAPP KS 50 Sport/Supersport KS 100	All years All years	R R
976	ZUNDAPP CS 25 Mofa Bj CS 25 Mofa BjType 448-140 CS 25 Mofa BjType 448-140 CX 25 Mofa BjType 448-141 CB 50 Mokick BjR CS 50 Mokick BjR CS 50 Mokick BjType 448-010 Hai 25 Mofa BjType 448-013 Hai 50 Mokick-Enduro BjType 448-150 Hai 50 Mokick-Enduro BjType 448-150	1980-1982 1982 1982 1983-1984 1980 1979-1980 1980-1982 1980-1982 1980 1980-1982	F&R F&R F&R F&R F&R F&R F&R F&R F&R F&R
978	MZ TS 125/150 TS 250 ETZ 250/300 251 Fun Saxon 'Tour' 251/301 Saxon 500 'All models'	1973 1973 1985-1992 1995-1996 1993-1998 1993-1998	F F&R R R R R
979	MZ Saxon 125 Saxon 150 TS 125/150 ETZ 125/150	1993-1997 1995 1973 1985-1992	R R R R
980 980V	MZ Special-3mm friction-2 holes no springs-EBC & Vee logo Simson	1980-1994	F&R
982G	CAGIVA WMX 500	1984-1986	R
984	HUSQVARNA Husky Boy J Husky Boy R Husky Boy S	2001-2002 2001 2001-2002	R R R
985	FB MINARELLI (SPAIN) Rieju Marathon	1974	F&R
987	GILERA 350 Dakota ER 350 500 Dakota ER 500	1985 1987 1987 1987	R R R R
990G	OSSA 125 Cross 250 Cross/Fuego/Super Pioneer	1974 1974	R R
995	APRILIA Classic 50 Mk1 FANTIC 50.1 OasisKick 50.1 TrialH20	1992-2001 1987 1987	R R R

BRAKE SHOE ILLUSTRATIONS

SHOE
BUYERS GUIDE

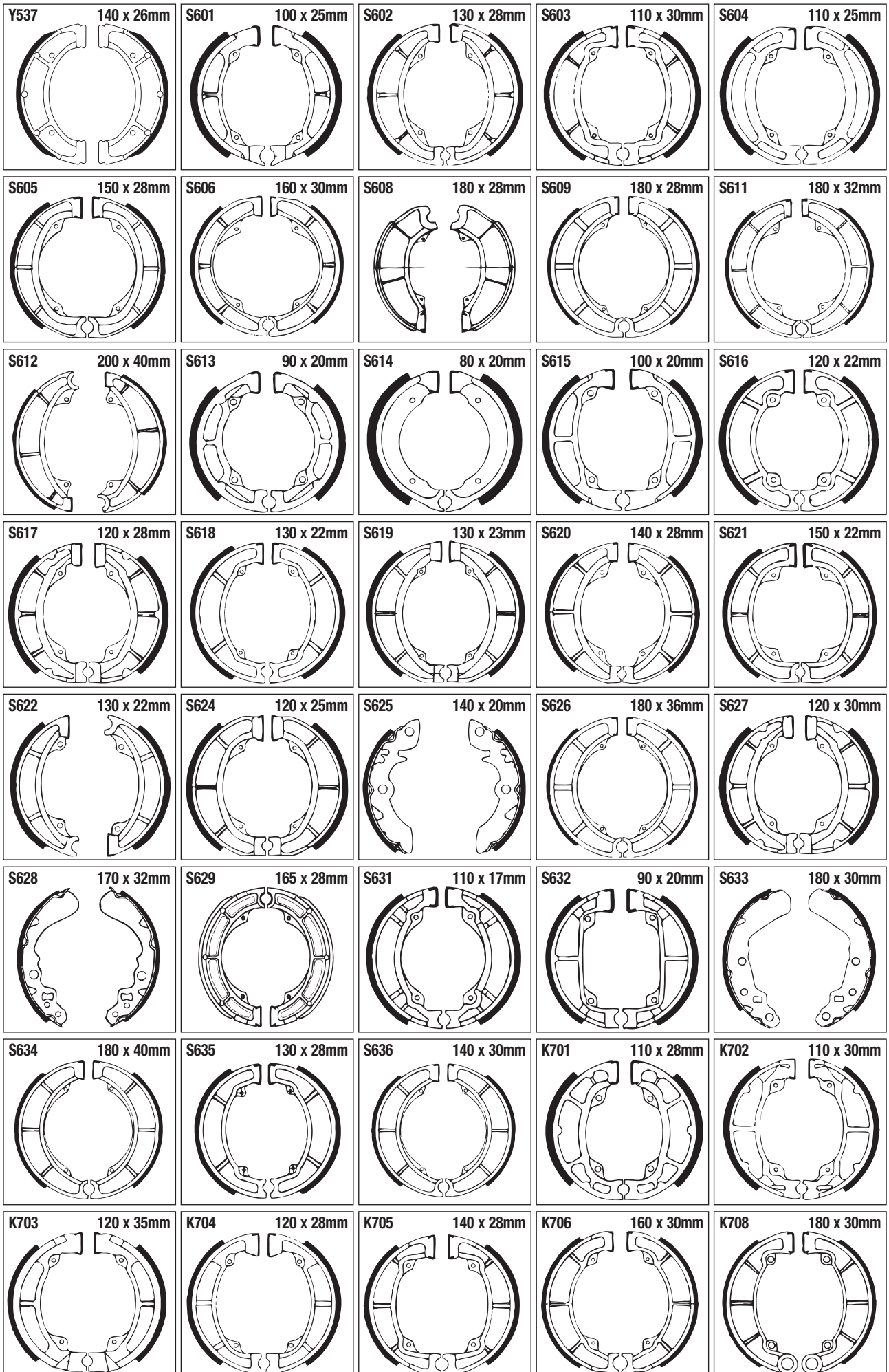


BRAKE SHOE ILLUSTRATIONS

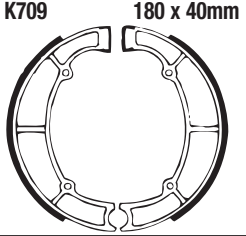
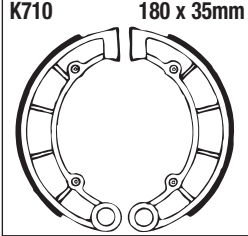
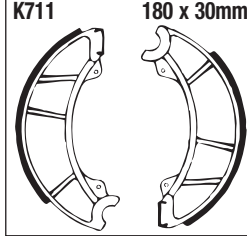
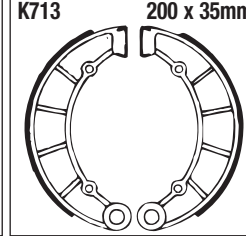
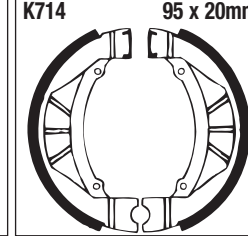
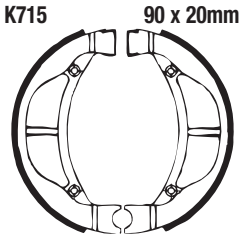
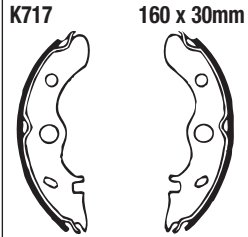
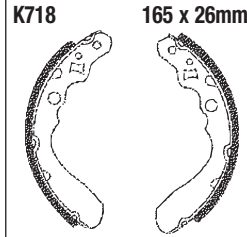
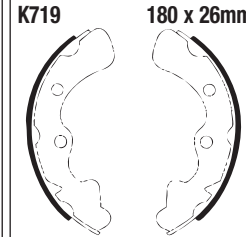
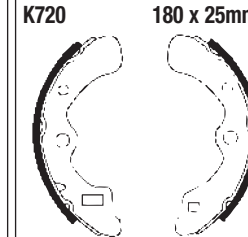
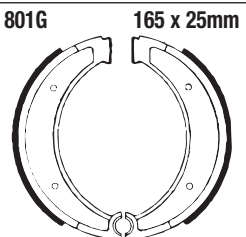
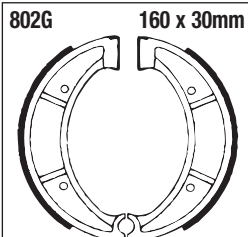
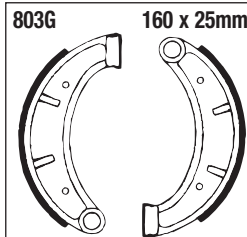
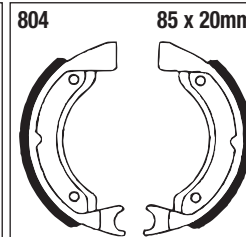
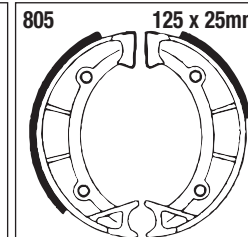
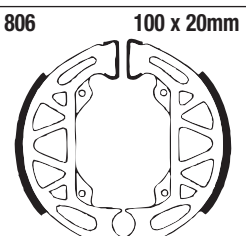
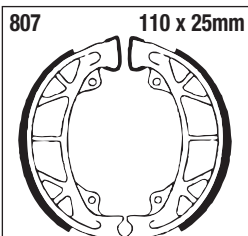
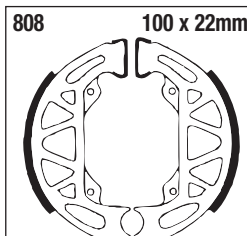
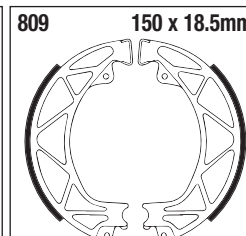
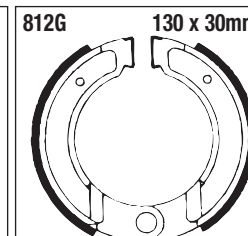
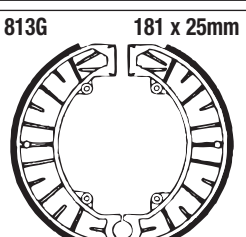
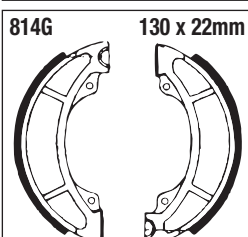
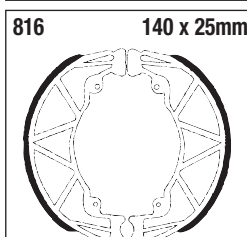
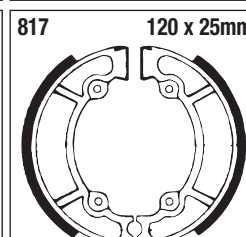
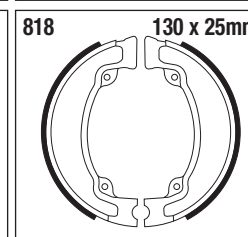
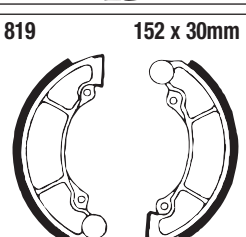
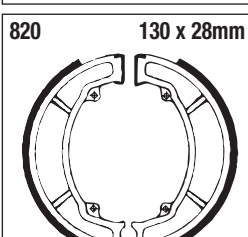
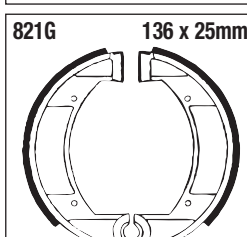
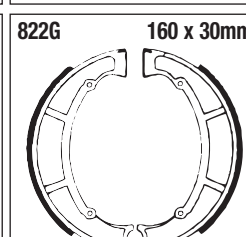
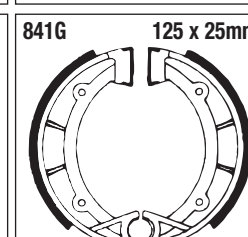
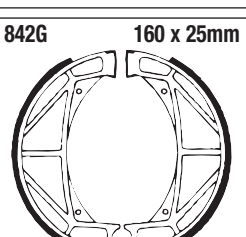
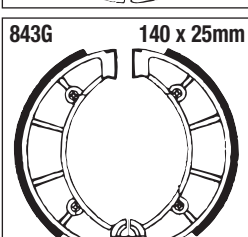
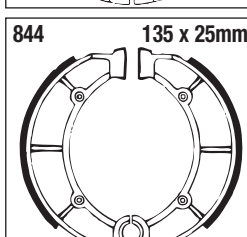
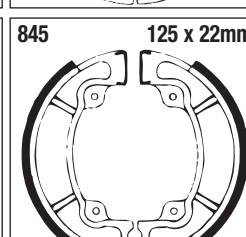
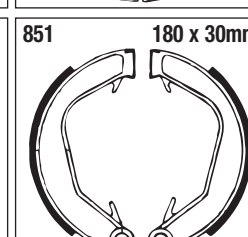
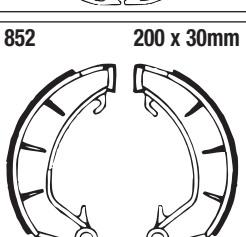
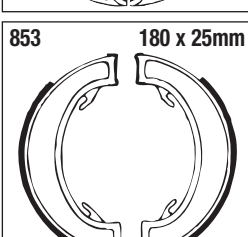
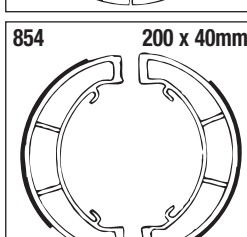
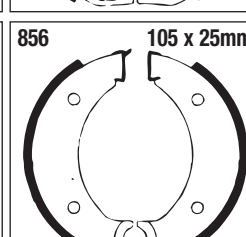
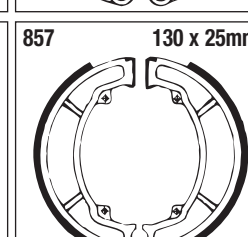
H345 130 x 25mm 	H346 87 x 20mm 	H347 160 x 20mm 	H347S 160 x 20mm 	H350 130 x 25mm
H351 160 x 30mm 	H352 130 x 25mm 	H353 110 x 25mm 	Y501 80 x 17mm 	Y502 95 x 20mm
Y503 110 x 25mm 	Y504 110 x 25mm 	Y506 130 x 28mm 	Y507 130 x 22mm 	Y508 130 x 22mm
Y510 150 x 25mm 	Y512 180 x 40mm 	Y513 180 x 30mm 	Y514 180 x 30mm 	Y515 200 x 40mm
Y516 160 x 30mm 	Y517 130 x 22mm 	Y518 110 x 25mm 	Y519 95 x 20mm 	Y520 165 x 30mm
Y521 130 x 28mm 	Y522 150 x 25mm 	Y523 165 x 27mm 	Y524 165 x 25mm 	Y525 100 x 20mm
Y526 200 x 35mm 	Y527 130 x 28mm 	Y528 159 x 25mm 	Y530 110 x 25mm 	Y531 130 x 28mm
Y532 160 x 30mm 	Y533 150 x 28mm 	Y534 160 x 32mm 	Y535 130 x 28mm 	Y536 100 x 20mm

BRAKE SHOE ILLUSTRATIONS

SHOE
BUYERS GUIDE

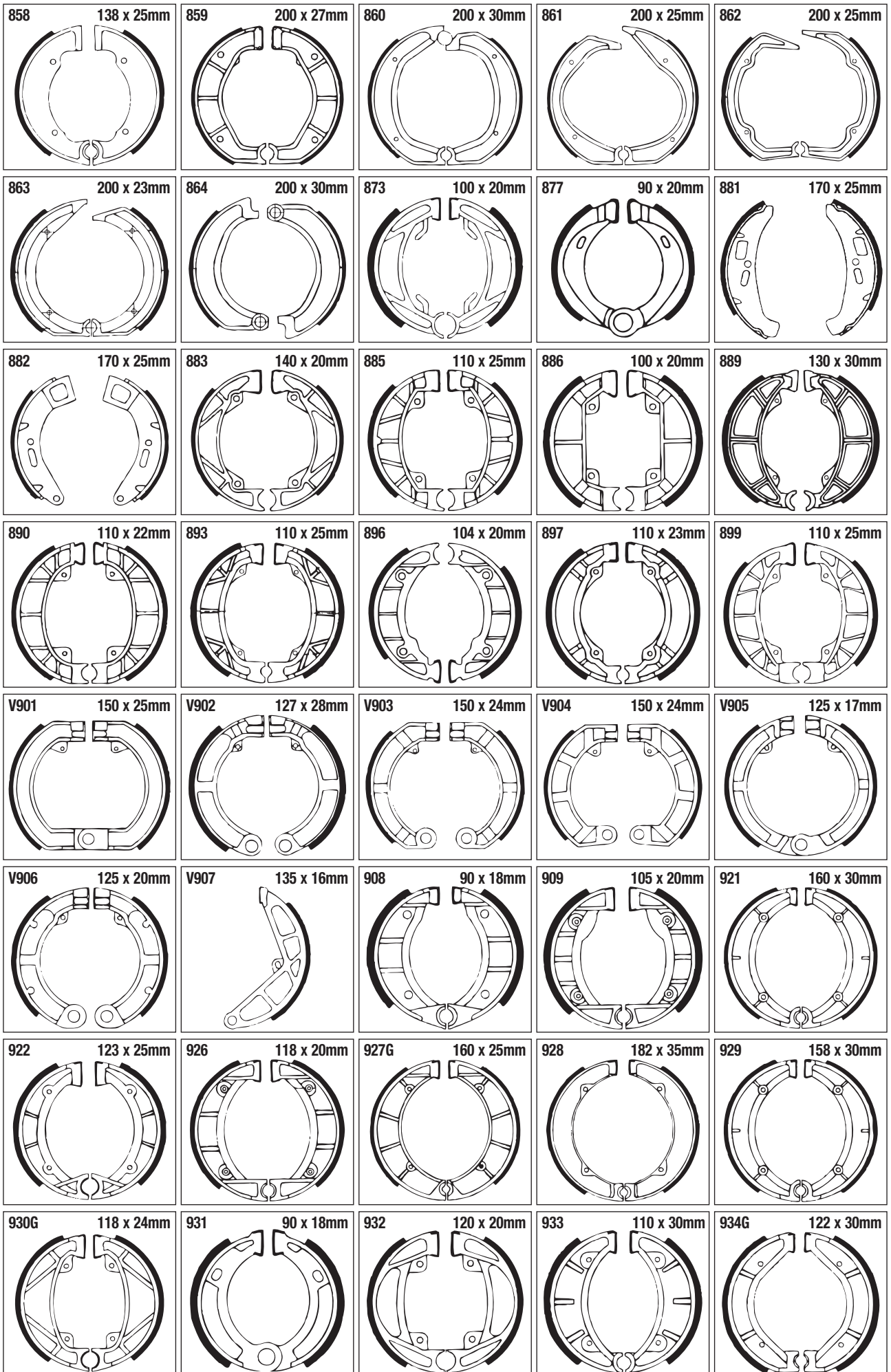


BRAKE SHOE ILLUSTRATIONS

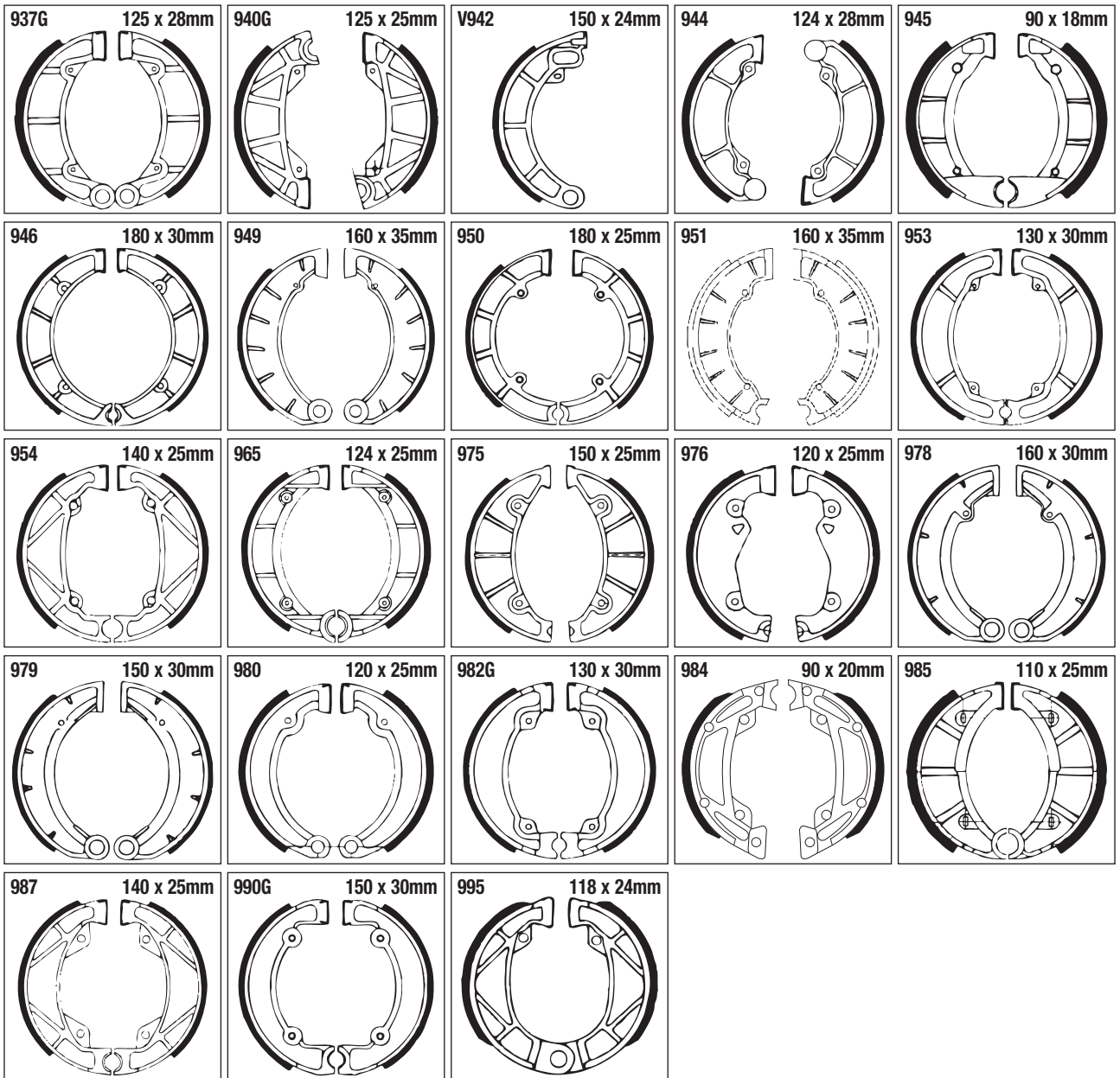
K709 180 x 40mm 	K710 180 x 35mm 	K711 180 x 30mm 	K713 200 x 35mm 	K714 95 x 20mm 
K715 90 x 20mm 	K717 160 x 30mm 	K718 165 x 26mm 	K719 180 x 26mm 	K720 180 x 25mm 
801G 165 x 25mm 	802G 160 x 30mm 	803G 160 x 25mm 	804 85 x 20mm 	805 125 x 25mm 
806 100 x 20mm 	807 110 x 25mm 	808 100 x 22mm 	809 150 x 18.5mm 	812G 130 x 30mm 
813G 181 x 25mm 	814G 130 x 22mm 	816 140 x 25mm 	817 120 x 25mm 	818 130 x 25mm 
819 152 x 30mm 	820 130 x 28mm 	821G 136 x 25mm 	822G 160 x 30mm 	841G 125 x 25mm 
842G 160 x 25mm 	843G 140 x 25mm 	844 135 x 25mm 	845 125 x 22mm 	851 180 x 30mm 
852 200 x 30mm 	853 180 x 25mm 	854 200 x 40mm 	856 105 x 25mm 	857 130 x 25mm 

BRAKE SHOE ILLUSTRATIONS

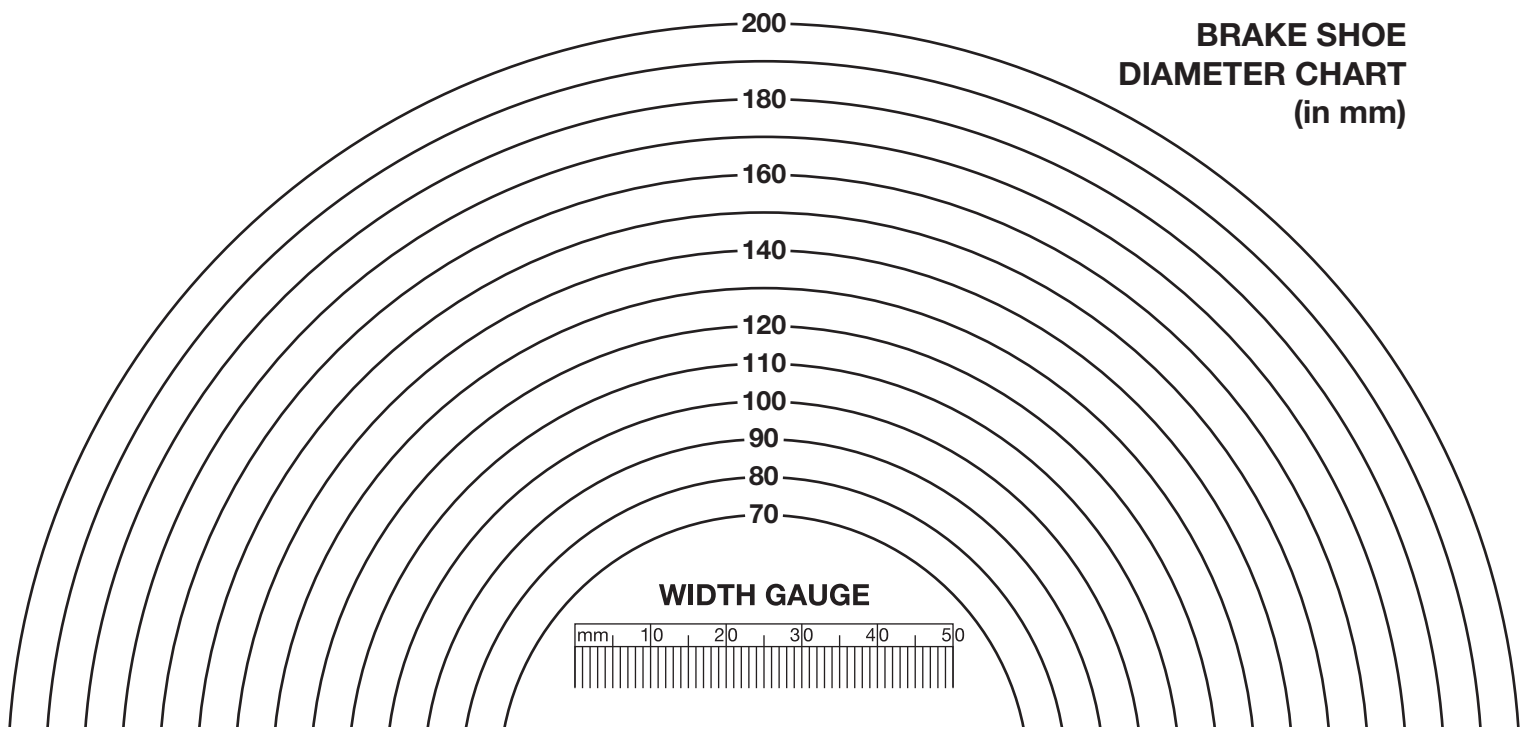
SHOE
BUYERS GUIDE



BRAKE SHOE ILLUSTRATIONS



SHOE
BUYERS GUIDE



STREETBIKE DISC BUYERS GUIDE

Disc No.	F/R	Type	Dia. mm	Hub Color	Profile	Bobbins	Left Bracket	Right Bracket	Model	Year
DISC GROUP 001 MD523 FSD523 FSD008 FSD010 FSD010BLK FSD012C FSD012CBLK FSD023 FSD023BLK FSD027C FSD027CBLK VR010BLK VR023BLK OSMD004-14BLK OSMD004-15BLK	Front Front Front Front Front Front Front Front Front Front Front Front Front Front Front Front	Solid Floating Solid Floating Floating Floating Floating Floating Floating Floating Floating Floating Floating Floating Floating Floating	290 290 290 290 290 290 290 290 290 290 290 290 290 290 355 381	 Polished Polished Polished Black Polished Black Polished Black Polished Black Black Black Black Black	Plain Plain Plain Plain Contour Contour Plain Plain Contour Contour Contour Vee Vee Plain Plain	 5 5 5 5 10 10 10 10 10 5 10 5 5	 BRK701 BRK709	 BRK702 BRK710	HARLEY DAVIDSON® All models, 00 onwards check main catalogue for model fitments.	2000-2024
DISC GROUP 002 FSD007 FSD009 FSD009BLK FSD011C FSD011CBLK FSD022 FSD022BLK FSD026C FSD026CBLK VR011BLK	Front Front Front Front Front Front Front Front Front Front	Solid Floating Floating Floating Floating Floating Floating Floating Floating Floating	290 290 290 290 290 290 290 290 290 290	 Chrome Black Chrome Black Chrome Black Chrome Black Black	Plain Plain Plain Contour Contour Plain Plain Contour Contour Vee	 5 5 5 10 10 10 10 10 5			HARLEY DAVIDSON® Sportsters & Big Twins with speedo notch. See main catalogue listing for full fitment info. 11 1/2" F Floating Disc Conversion.	
DISC GROUP 003 RSD008 RSD018C RSD018CBLK RSD020 RSD020BLK VR020BLK	Rear Rear Rear Rear Rear Rear	Solid Floating Floating Floating Floating Floating	290 290 290 290 290 290	 Chrome Black Chrome Black Black	Plain Contour Contour Plain Plain Vee	 10 10 10 10 10			HARLEY DAVIDSON® All models, 00 onwards Check main catalogue for model fitments	2000-2024
DISC GROUP 004 BILLET RSD007 RSD017CBLK RSD019 RSD019C VR019BLK RSD019BLK RSD007A	Rear Rear Rear Rear Rear Rear Rear	Solid Floating Floating Floating Floating Floating Solid	290 290 290 290 290 290 290	 Black Chrome Chrome Black Black Black	Plain Contour Plain Contour Vee Plain Plain	 10 10 10 10 10			HARLEY DAVIDSON® 11 1/2" F Floating Disc Conversion. Sportsters & Big Twins with speedo notch See main catalogue listing for full fitment info. INDIAN Chief/Deluxe/Springfield/Road Master/Vintage/Scout/Spirit	2002-2008
MD509SR BILLET	Rear	Solid	290		Plain				HARLEY DAVIDSON® FLT, FLHT, FLHTCI	1986-1999 1994-1999
MD511	Rear	Solid	240		Plain				BUELL All Models	1994-2002
DISC GROUP 006 MD514LS/RS VR514	Front Front	Solid Solid	292 292		Plain Vee				HARLEY DAVIDSON® V-Rod	2006-2007 2008-2010
MD515	Rear	Solid	292		Plain				HARLEY DAVIDSON® VRSCA V-Rod	2002-2005
DISC GROUP 007 MD516 MD516X OSMD516-14BLK OSMD516-15BLK	Front Front Front Front	Solid Floating Floating Floating	300 300 355 381	 Chrome Black Black	Plain Plain Plain Plain	 5 5 5			HARLEY DAVIDSON® V-Rod Models	2006-2017
DISC GROUP 008 MD517 MD525	Rear Rear	Solid Floating	300 300	 Polished	Plain Plain	 9			HARLEY DAVIDSON® V-Rod Models	2006-2017
DISC GROUP 009 MD542 MD521 MD521BLK VR521BLK	Rear Rear Rear Rear	Solid Floating Floating Floating	300 300 300 300	 Polished Black Black	Plain Plain Plain Vee	 10 10 10			HARLEY DAVIDSON® Touring Models 2008 onwards. See main catalogue listings for full fitment info.	2008-2024

STREETBIKE DISC BUYERS GUIDE

Disc No.	F/R	Type	Dia. mm	Hub Color	Profile	Bobbins	Left Bracket	Right Bracket	Model	Year
DISC GROUP 010 MD518 MD518BLK MD518CBLK MD520 MD520/10BLK VR520BLK MD526 MD530 MD530BLK MD541 OSMD518-14 OSMD518-14BLK	Front Front Front Front Front Front Front Front Front Front Front Front	Floating Floating Floating Floating Solid Solid Floating Floating Solid Solid Floating Floating	300 300 300 300 300 300 300 300 300 300 355 355	Polished Black Black Polished Black Polished Black Polished Black Polished Black	Plain Plain Contour Plain Vee Plain Plain Plain Plain Plain Plain Plain	10 10 10 5 5 5 5 5 5 5 5 5			HARLEY DAVIDSON® Sportster, Dyna, Softail, Touring, Trike and V-Rod 2006 onwards. See main catalogue listings for full fitment info.	2006-2024
MD522	Rear	Solid	240		Plain				BUELL XB12R Firebolt XB12 SS Lightning Firebolt XB9R XB9S Lightning XB12S Lightning XB9SX Lightning City/X XB12X Ulysses XB12XT Ulysses XB12SCG Lightning XB12SS Lightning Long XB12STT Lightning XB12STT Lightning XB12SCG Lightning XB9 SX Lightning	2004-2010 2009-2010 2002-2007 2003-2004 2004-2008 2005-2009 2006-2010 2008-2010 2006-2008 2006-2008 2006-2008 2008 2009-2010 2008-2010
DISC GROUP 011 MD524 RSD524	Rear Rear	Solid Floating	260 260	Polished	Plain Plain	10			HARLEY DAVIDSON® Sportster Range 2007 onwards. See main catalogue listings for full fitment info.	
DISC GROUP 017 MD529 VR529	Front Front	Solid Solid	300 300		Plain Vee				HARLEY DAVIDSON® Touring Models 2014 onwards.	
MD531	Front	Solid	292		Plain				HARLEY DAVIDSON® XG 500 Street XG 750 Street	2014-2015 2014-2015
MD532	Rear	Solid	260		Plain				HARLEY DAVIDSON® XG 500 Street XG 750 Street	2014-2015 2014-2015
DISC GROUP 019 MD533 MD533BSDF MD533BSDR	F/R Front Rear	Solid Solid Solid	299 299 299	Black Black Black	Plain Plain Plain				POLARIS Slingshot Slingshot S Slingshot SL Slingshot SL SE POLARIS Slingshot Slingshot S Slingshot SL Slingshot SL SE POLARIS Slingshot Slingshot S Slingshot SL Slingshot SL SE	2015-2017 2018 2015-2018 2015-2018 2015-2017 2018 2015-2018 2015-2018 2015-2017 2018 2015-2018 2015-2018
DISC GROUP 020 MD534 MD534X MD534XBLK	F/R F/R F/R	Solid Floating Floating	298 298 298	Gold Black	Plain Plain Vee	5 10			INDIAN Scout Cast Wheel/Toso Calipers Scout Sixty Cast Wheel/Toso Calipers Scout Scout Bobber Scout Sixty VICTORY Octane 1200cc	2015-2016 2016 2017-2021 2018-2021 2017-2021 2017
DISC GROUP 021 MD535 MD535BLK	F/R F/R	Floating Floating	292 292	Polished Black	Plain Plain	5 5			INDIAN Chief Blackhawk Brembo calipers Chief Blackhawk Dark Brembo calipers Chief Classic Brembo calipers	2011 2011 2011-2013

STREETBIKE DISC BUYERS GUIDE

Disc No.	F/R	Type	Dia. mm	Hub Color	Profile	Bobbins	Left Bracket	Right Bracket	Model	Year
DISC GROUP 021 Contd.									Chief Standard Brembo calipers Chief Deluxe Brembo calipers Chief Roadmaster Brembo calipers Chief Vintage Brembo calipers Bomber Brembo Calipers Dark Horse Brembo calipers	2009-2011 2009 2009-2011 2009-2013 2010-2011 2010-2013
DISC GROUP 022 MD536 MD536X MD536XBLK	Front Front Front	Solid Floating Floating	300 300 300		Plain Polished Black				HARLEY DAVIDSON® XG 500 Street 300mm Discs XG 750 Street 300mm Discs XG 750 Street Rod	2016-2021 2016-2021 2017-2021
MD537	Rear	Solid	300		Plain				HARLEY DAVIDSON® XG 500 Street XG 750 Street	2016-2020 2016-2020
MD538	Rear	Solid	270.5						HARLEY DAVIDSON® FLRT Freewheeler Trike FLHTCUTG Tri Glide Ultra Trike	2015-2020 2014-2020
MD540	Rear	Solid	233						HARLEY DAVIDSON® FLHTCUTGSE CVO Tri Glide FLHXXX Street Glide Trike	2009-2013 2010-2011
DISC GROUP 024 MD678 MD678BLK VR678BLK	F/R F/R F/R	Floating Floating Floating	300 300 300	Natural Black Black	Plain Plain Vee	9 9 9			VICTORY Cory Ness Victory Cross Country Cross Roads Arlen Ness Victory Vision Cory Ness Jackpot Victory Vegas/Victory King Pin King Pin King Pin Tour King Pin - 8 Ball King Pin Low Vegas Vegas - 8 Ball Ness Signature Series Vegas Jackpot Hammer Hammer 8 Ball Hammer S Jackpot Zach Ness Vegas Vegas Low Vision 8 Ball Vision Street Vision Tour Hard Ball Spoke Wheel Judge	2011-2012 2010-2013 2010-2012 2008-2010 2003-2007 2004-2012 2004-2009 2008-2011 2009 2003-2012 2005-2012 2005-2007 2006-2009 2005-2011 2010-2016 2007-2016 2010-2016 2011-2012 2008-2009 2010-2011 2008-2009 2008-2014 2012-2013 2012-2016
DISC GROUP 025 MD887BLK VR887BLK	Rear Rear	Floating Floating	299 299	Black Black	Plain Vee	9 9			INDIAN Chief Dark Horse Nissin calipers Chief Vintage Nissin calipers Chieftain Nissin Calipers/Cast Wheels Chieftain Dark Horse Nissin Calipers/Cast Wheels Chieftain Limited Nissin Calipers/Cast Wheels Chieftain Elite Nissin Calipers/Cast Wheels Roadmaster Nissin Calipers/Cast Wheels Roadmaster Dark Horse Nissin Calipers/Cast Wheels Roadmaster Limited Nissin Calipers/Cast Wheels Roadmaster Dark Horse Jack Daniel's Edition Nissin Calipers/Cast Wheels Roadmaster Elite Nissin Calipers/Cast Wheels Springfield Springfield Dark Horse	2016-2021 2014-2021 2014-2021 2014-2021 2014-2021 2014-2021 2015-2021 2015-2021 2015-2021 2021 2015-2021 2016-2021 2019-2021
DISC GROUP 026 MD727 VR727BLK	F/R F/R	Floating Floating	300 300	Gold Black	Plain Vee	9 9			VICTORY V92/SC	2098-2003
DISC GROUP 027 MD801 VR801	Front Front	Solid Solid	260 260		Plain Vee				CAN-AM Spyder RS SES/SMS 990cc Spyder RS Phantom Black Spyder RT-S/RT Spyder RS-S/RS Spyder RT Ltd	2008-2009 2009 2010-2012 2010-2012 2011-2012

STREETBIKE DISC BUYERS GUIDE

Disc No.	F/R	Type	Dia. mm	Hub Color	Profile	Bobbins	Left Bracket	Right Bracket	Model	Year
DISC GROUP 028 MD802 VR802	Rear Rear	Solid Solid	260 260		Plain Vee				CAN-AM Spyder RS SES/SMS 990cc Spyder RS Phantom Black Spyder RT-S/RT Spyder RS-S/RS Spyder RT Ltd	2008-2009 2009 2010-2012 2010-2012 2011-2012
DISC GROUP 029 MD853 VR853	Front Front	Solid Solid	270 270		Plain Vee				CAN AM Spyder F3 Spyder F3 LTD Spyder F3-S SE6/SM6 Spyder F3-S Special Series Spyder F3-S Daytona 500 Spyder F3-T Spyder RT 3 Cyl Eng/6 Speed Spyder RT-S 3 Cyl Eng/6 Speed Spyder RT-S Special Series Spyder RT Ltd 3 Cyl Eng/6 Speed Spyder ST Brembo Calipers Spyder ST-S Brembo Calipers Spyder ST LTD Brembo Calipers Spyder RS Brembo Calipers Spyder RS-S Brembo Calipers	2015-2022 2016-2022 2015-2022 2016-2021 2017 2016-2021 2013-2021 2013-2015 2016-2017 2013-2021 2013-2016 2013-2016 2013-2015 2013-2016 2013-2016 2013-2016
DISC GROUP 030 MD854 VR854	Rear Rear	Solid Solid	270 270		Plain Vee				CAN AM Spyder F3 Spyder F3 LTD Spyder F3-S SE6/SM6 Spyder F3-S Special Series Spyder F3-S Daytona 500 Spyder F3-T Spyder RT 3 Cyl Eng/ 6 Speed Spyder RT-S 3 Cyl Eng/ 6 Speed Spyder RT Ltd 3 Cyl Eng/ 6 Speed Spyder ST Brembo Calipers Spyder ST-S Brembo Calipers Spyder ST LTD Brembo Calipers Spyder RS Brembo Calipers Spyder RS-S Brembo Calipers	2015-2022 2016-2022 2015-2022 2016-2021 2017 2016-2021 2013-2021 2013-2015 2016-2017 2013-2021 2013-2016 2013-2016 2013-2016 2013-2015 2013-2016
DISC GROUP 031 MD737 VR737	Front Front	Solid Solid	320 320		Plain Vee				BUELL Blast	2000-2007
DISC GROUP 032 MD738 VR738	Front Front	Solid Solid	220 220		Plain Vee				BUELL Blast	2000-2007
MD601LS MD601RS Ⓢ OVERSIZE FLOATING CONVERSION	Front Front	Floating Floating	310 310	Silver Silver	Plain Plain	9 9			HONDA CBR 600 FM TRIUMPH HINCKLEY PRODUCED MACHINES Ⓢ Speedmaster 790cc/Carbs Ⓢ Speedmaster 865cc/Carbs Ⓢ Tiger 885i IE Ⓢ Thunderbird Sport 900 Ⓢ Tiger 955i WE	1991-1994 2003-2004 2005-2007 1998-1999 1998-2004 2000-2004
MD602LS MD602RS 35.8mm offset	F/R F/R	Floating Floating	260 260	Silver Silver	Plain Plain	9 9			BMW R60 TIC R R60/7 R R90/6 R R75/6 75/7 R R80 R R80 RT R80 TIC R90 S S R100 7 T R100 R R100 RS R100 RS 9E R100 RT 1978-Sept 1980 R100 RT Oct. 1980-1984 R100 S R	1978-1982 1976-1980 1973-1976 1973-1979 1977-1984 1982-1984 1978-1985 1973-1976 1977-1984 1976-1977 1976-1980 1980-1984 1978-1980 1980-1984 1976-1980

STREETBIKE DISC BUYERS GUIDE

Disc No.	F/R	Type	Dia. mm	Hub Color	Profile	Bobbins	Left Bracket	Right Bracket	Model	Year
MD603LS MD603RS	Front Front	Floating Floating	285 285	Silver Silver	Plain Plain	9 9			BMW K75 75-2 K75 RT K75 S K100 LT K100 RS K100 RT K100/2	1984-1996 1989-1996 1985-1995 1986-1991 1983-1989 1983-1989 1987-1990
MD604LS MD604RS 31.5mm offset	Front Front	Floating Floating	285 285	Silver Silver	Plain Plain	9 9			BMW K75 75-2 Sept. 1988-1996 K75 75-S 1984-Aug. 1988 K75 C K75 RT K75 S K100 LT K100 RS K100 RT K1 K100/2	1988-1996 1984-1988 1985-1990 1989-1996 1985-1995 1986-1991 1983-1989 1983-1989 1982-1988 1987-1990
MD605LS MD605RS 23.3mm offset	Front Front	Floating Floating	285 285	Silver Silver	Plain Plain	9 9			BMW R65 R R65 RT R850 GS R80 GS R80 Mystic R80 PD/CH R80 R R80 RT R100 GS R100 Mystic R100 PD R100 R R100 RS R100 RT	1988-1989 1985-1988 1996 1987-1995 1994-1995 1990-1995 1991-1994 1984-1995 1986-1994 1993-1996 1989-1996 1991-1995 1986-1992 1987-1995
MD606LS MD606RS 47.8mm offset	Front Front	Floating Floating	260 260	Silver Silver	Plain Plain	9 9			BMW R45 N R45 T R65 GS R65 LS R65 T R80 GS R80 ST R100 7 T	1978-1985 1980-1985 1987-1992 1981-1985 1980-1985 1980-1987 1982-1984 1980-1984
MD607LS MD607RS	Front Front	Floating Floating	305 305	Silver Silver	Plain Plain	12 12			BMW R850 R R850 RT K100 RS K1 K1100 LT R1100 R R1100 RS R1100 RT	1994-2002 1996-2001 1989-1992 1988-1993 1989-1999 1993-2001 1992-2001 1994-2001
MD609LS MD609RS 6 bolt fixing 27.2mm Offset	F/R F/R	Floating Floating	280 280	Gold Gold	Plain Plain	9 9			DUCATI 900 Hailwood Replica 900 SD Darmah 1000 R1 Hailwood Replica LAVERDA 750 SF All Models 1000 3C-C-CL Models 1000 3CL Jarama/Jota 1000 SFC 1200 Inc All TS - Mirage Models	1979 1978 1984 1974-1977 1974-1978 1979-1981 1985-1986 1978-1981
MD609ALS MD609ARS 6 bolt fixing 26mm off set	F/R F/R	Floating Floating	280 280	Gold Gold	Plain Plain	9 9			LAVERDA 1000 RGA - RGS - Corsa	1982-1984

STREETBIKE DISC BUYERS GUIDE

Disc No.	F/R	Type	Dia. mm	Hub Color	Profile	Bobbins	Left Bracket	Right Bracket	Model	Year
MD611	Rear	Floating	285	Silver	Plain	9			BMW K75 75-2 Aug. 1990 K75 RT K75 S K100 LT K100 RS K100 RT K1 K100/2 K1100 LT	1990-1996 1989-1996 1985-1995 1986-1991 1983-1992 1983-1988 1982-1993 1987-1990 1989-1993
MD612RS	Front	Floating	320	Gold	Plain	6			APRILIA AF 125	1990-1991
MD613 MD613C VR613	Rear Rear Rear	Solid Solid Solid	220 220 220		Plain Contour Vee				APRILIA RSV 1000 Factory R RSV 1000 Mille RSV 1000 Mille R RSV 1000 R Inc Racing & Factory Models RSV 1000 R SP RSV 1000 Tuono R RSV4 1000 RR RSV4 Factory RSV4 R SL 1000 Falco Tuono R 1000 Tuono R 1000 Factory LAVERDA 1000 SFC	2004-2008 1998-2003 2000-2003 2004-2008 1999-2000 2002-2008 2015-2018 2009-2010 2010 2000-2004 2002-2010 2006-2010 2003-2004
MD614X MD614XC VR614BLK VR614BLU VR614RED VR614GLD VR614ORG	Front Front Front Front Front Front Front	Floating Floating Floating Floating Floating Floating Floating	320 320 320 320 320 320 320	Gold Gold Black Blue Red Gold Orange	Plain Contour Vee Vee Vee Vee Vee	6 6 6 6 6 6 6			BENELLI 2UE 750 TNT 899 S Tornado Tre TRE-K 899 TRE-K 1130 BRAMMO ELECTRIC BIKES Empulse R CAGIVA Mito 125 All models N1 125 Planet 125 Raptor 125 Super City 125 Mito 500 River 600 DUCATI Monster 400 Monster 400 Dark ie Monster 400 Japan Monster 600 Monster 600 City/City Dark Monster 620 IE Sport 620 Monster 695 Monster 695 + 748 All Models 750 All Models Inc IE Monster 750 All Models Inc IE Monster 800 Sport 800 Supersport 800 900 MH Evoluzione Monster 900 IE Sport 900 Supersport 900 IE ST4 916cc ST2 944 Monster 1000 ie 992cc Paul Smart 1000 LE 992cc ST3 992 Supersport 1000 DS 992cc GT 1000 Inc Touring Models Monster 1000 Dark Sport 1000 S Sport Classic 1000 Monoposto - Japan/Biposto - Europe	2009-2010 2007-2016 2007-2016 2006-2017 2012-2013 1991-2010 1997 1999-2003 2003-2010 1992-2000 2007-2008 1995-1999 2000-2004 2005-2006 2000-2004 2000-2001 1999 2002-2005 2003 2008-2014 2009-2012 1999-2002 2000-2002 2002 2003-2004 2003 2003-2005 2000-2001 2000-2001 2002 2000-2001 2001-2002 2000-2003 2003-2005 2006 2004-2007 2003-2006 2007-2010 2003 2007-2009 2006-2008

DISC BUYERS GUIDE

STREETBIKE DISC BUYERS GUIDE

Disc No.	F/R	Type	Dia. mm	Hub Color	Profile	Bobbins	Left Bracket	Right Bracket	Model	Year
MD614X MD614XC VR614BLK VR614BLU VR614RED VR614GLD VR614ORG Contd.									KTM 690 Duke MOTO GUZZI Brevia 750 ie EE Nevada 750 Classic ie V7 750 All Models V7 850 III Special V7 Stone Corsa III V7 Stone III V7 Stone III Centenario V85 TT All Models V9 Bobber All Models V9 Roamer 940 Bellagio Centauro V10 GT & Sport California 1100 All Models Sport 1100 Carbs Sport 1100 EFI V11 1100 All Models Griso 1200 8V NORTON 961 Commando All Models 961 Dominator VOXAN Black Magic Roadster Street Scrambler Café Racer 1000 Cyclope 1000 Roadster 1000 Scrambler 1000 VB1 Evo	2008-2012 2003-2011 2004-2015 2008-2021 2021-2024 2024 2021-2024 2023 2018-2024 2016-2024 2016-2021 2007-2013 1997-1999 1994-2012 1994-1996 1996-1999 1999-2005 2007-2015 2010-2020 2015-2020 2004-2008 2002-2005 2003-2008 2006-2008 2002 2006-2008 2006 2003-2004
MD615 BILLET SILVER	Rear	Floating	285	Natural	Plain	9			BMW K1200 LT R1200 CL	1997-2009 2002-2004
MD616 Loose bobbins	Front	Solid	320		Plain				BMW R1100 S Dec. 2000-2006 R1150 R R1150 R Rockster R1150 R Rockster Edition 80 R1150 RS AE K1200 LT K1200 R Sport K43 K1200 R Tokico Caliper K1600 B Bagger K61 K1600 B Grand America K1600 GT K48 All Models K1600 GTL K48	2000-2006 2001-2006 2003-2006 2004 2001-2004 2000-2007 2007-2010 2005-2007 2017-2020 2018-2023 2011-2017 2011-2019
MD617	Rear	Solid	220		Plain				CAGIVA Raptor/V-Raptor/X-tra R V-Raptor/Raptor 650 Raptor X3 1000	2000-2005 2001-2007 2003-2004
MD618 MD618C VR618	Rear Rear Rear	Solid Solid Solid	240 240 240		Plain Contour Vee				DUCATI 749 All Models Desmosedici RR D16RR 999 All Models	2003-2006 2008 2003-2006
MD619RS SILVER	Front	Floating	315	Natural	Plain	9			MZ/MUZ Skorpion Sport/Cup Skorpion Tour/Traveller SACHS HERCULES XTC 125 N, Supersport	1995-2001 1995-2002 2000-2007
MD620 Loose bobbins	Front	Solid	320		Plain				BMW R850 RT R1150 RT AE K1200 GT 2 pin rear pad K41 K1200 RS K589 K1200 S K40	2006 2000-2006 2003-2006 2001-2004 2005-2008

STREETBIKE DISC BUYERS GUIDE

Disc No.	F/R	Type	Dia. mm	Hub Color	Profile	Bobbins	Left Bracket	Right Bracket	Model	Year
MD621X	Front	Floating	320	Gold	Plain	6			APRILIA	
MD621XC	Front	Floating	320	Gold	Contour	6			RS 125	2006-2012
VR621BLK	Front	Floating	320	Black	Vee	6			Pegaso 650 All Models	2005-2008
VR621BLU	Front	Floating	320	Blue	Vee	6			Shiver 750 GT	2009-2012
VR621RED	Front	Floating	320	Red	Vee	6			Shiver 750 RA000	2007-2010
VR621GLD	Front	Floating	320	Gold	Vee	6			NA 850 Mana	2008-2013
									NA 850 Mana GT	2009-2016
									RSV 1000 Factory R	2004-2008
									RSV 1000 Mille	2001-2003
									RSV 1000 Mille R	2001-2003
									RSV 1000 R	2004-2008
									RSV 1000 R Racing/Factory	2004-2008
									RSV 1000 R SP	1999-2000
									RSV 1000 Tuono R	2002-2008
									Tuono R 1000	2002-2010
									Tuono R 1000 Factory	2006-2010
									BENELLI	
									Tornado Tre Novecento/LE/RS	2003-2005
									TNT 1130 Café Racer	2005-2012
									TNT 1130 Sport/Sport Evo	2004-2009
									TNT 1130 Titanium	2005-2006
									TNT 1130 Tornado Naked Tre	2006-2007
									TRE 1130 Tornado	2006-2010
									BIMOTA	
									SB8K Santamonica	2004
									BMW	
									G 650 Xmoto	2007-2009
									LAVERDA	
									1000 SFC	2003-2004
									MONDIAL	
									Evo Evo	2004
									Piega 1000 Piega 1000	2003-2004
									MOTO GUZZI	
									Griso 850	2006-2007
									1000 MGS-01 Corsa	2003-2011
									California 1100 Vintage	2012
									Griso 1100	2005-2008
MD622X	Front	Floating	320	Gold	Plain	6			DUCATI	
MD622XC	Front	Floating	320	Gold	Contour	6			749 All Models	2003-2006
VR622BLK	Front	Floating	320	Black	Vee	6			999 All Models	2003-2006
VR622BLU	Front	Floating	320	Blue	Vee	6				
VR622RED	Front	Floating	320	Red	Vee	6				
VR622GLD	Front	Floating	320	Gold	Vee	6				
MD623RS	Front	Solid	280		Plain				MZ/MUZ	
									Saxon 125/150	1993-1997
									Fun 251	1995-1996
									Saxon Tour 251/301	1993-1998
									Saxon 500 All Models	1993-1998
MD624	Front	Floating	320	Gold	Plain	6			DUCATI	
VR624BLK	Front	Floating	320	Black	Vee	6			748 R	2000
VR624BLU	Front	Floating	320	Blue	Vee	6			Monster S4	2001-2002
VR624RED	Front	Floating	320	Red	Vee	6			Monster S4 916 Foggy Rep	2002
VR624GLD	Front	Floating	320	Gold	Vee	6			ST3 S 992	2006-2007
									996 All Models	1999-2001
									Monster S4R 996cc	2003-2006
									ST4S 996cc	2001-2005
									MOTO GUZZI	
									Breva 1100	2005-2007
									Breva 1200	2008-2009
									Norge 1200	2006-2007
									Norge 1200 GT	2008-2017
									Sport 1200	2006-2013
									Stelvio 1200 NTX	2009-2015
									Stevio 1200	2008-2011
MD625LS	Front	Solid	290		Plain				APRILIA	
									AF1 50 Futura Mk1	1990-1992
									Europa 50 Mk1	1990-1992

DISC BUYERS GUIDE

STREETBIKE DISC BUYERS GUIDE

Disc No.	F/R	Type	Dia. mm	Hub Color	Profile	Bobbins	Left Bracket	Right Bracket	Model	Year
MD626X MD626XC VR626BLK VR626BLU VR626RED VR626GLD	Front Front Front Front Front Front	Floating Floating Floating Floating Floating Floating	300 300 300 300 300 300	Gold Gold Black Blue Red Gold	Plain Contour Vee Vee Vee Vee	6 6 6 6 6 6			DUCATI Monster 400 ie Monster 620 Monster 620 IE Multistrada 620 Monster 695 Monster S2R 803cc Monster S2R Dark 803cc Monster 1000 S2R 992cc ROYAL ENFIELD Continental GT 535	2007-2008 2005-2006 2003-2005 2006 2007-2008 2005-2007 2005-2006 2006-2008
MD627 MD627C VR627	Rear Rear Rear	Solid Solid Solid	245 245 245		Plain Contour Vee				DUCATI Hypermotard 796 Monster 796 Monster 796 20th Anniversary Model Monster S2R 803cc Monster S2R Dark 803cc 848 All Models Monster 1000 S2R 992cc Multistrada 1000 DS 992cc Multistrada 1000 S DS 992cc Monster S4R 996cc Monster S4RS 998cc S4RS 998 Testastretta S4RS 998cc Tricolore Testastretta Multistrada 1100 1078cc Multistrada 1100 S 1078cc Hypermotard 1100 Hypermotard 1100 EVO Hypermotard 1100 EVO SP Hypermotard 1100 S Monster 1100 Monster 1100 S	2010-2013 2010-2013 2013 2005-2007 2005-2006 2008-2013 2006-2008 2003-2005 2005-2006 2003-2006 2006-2008 2007 2008 2007-2009 2007-2009 2007-2009 2010-2012 2010-2012 2007-2009 2009-2010 2009-2010
MD628RS	Front	Solid	260		Plain				APRILIA Classic 125 Red Rose 125	1995-2001 1988-1994
MD629X MD629XC MD629XBLK VR629BLK VR629BLU VR629RED VR629GLD	Front Front Front Front Front Front Front	Floating Floating Floating Floating Floating Floating Floating	320 320 320 320 320 320 320	Silver Silver Black Black Blue Red Gold	Plain Contour Plain Vee Vee Vee Vee	6 6 6 6 6 6 6			TRIUMPH HINCKLEY PRODUCED MACHINES Adventurer 900 Legend TT Thruxton 900 Thruxton Ace 900 Thunderbird 900	1996-2001 1998-2001 2004-2016 2015-2016 1995-2003
MD630LS MD630RS	Front Front	Solid Solid	280 280		Plain Plain				DUCATI 750 Paso 750 Sport	1987-1990 1988-1990
MD631	Rear	Solid	270		Plain				DUCATI 750 Paso 750 Sport 906 Paso	1987-1990 1988-1990 1988-1989
MD632 MD632C VR632	Rear Rear Rear	Solid Solid Solid	220 220 220		Plain Contour Vee				DUCATI 748 All Models 900 MH Evoluzione 916 All Models 996 All Models 998 All Models	1995-2002 2000-2001 1994-1998 1999-2001 2002-2004
MD633X MD633XC VR633ORG With Counterbore	Front Front Front	Floating Floating Floating	320 320 320	Gold Gold Orange	Plain Contour Vee	6 6 6			DUCATI Monster 400 Monster 600 Monster 600 Dark 748 SP & SPS 750 Supersport E & IE Monster 750 Monster Dark 851 Superbike Biposto 888 All Inc SP4 & SP5 Models Monster 900 All Models Supersport 900 All Models 907 IE	1995-1997 1993-1999 1998-1999 1998-1999 1991-1998 1999 1989-1992 1992-1995 1993-1999 1991-1999 1992-1993

STREETBIKE DISC BUYERS GUIDE

Disc No.	F/R	Type	Dia. mm	Hub Color	Profile	Bobbins	Left Bracket	Right Bracket	Model	Year
MD633X Contd.									916 All ST4 916cc ST2 944 998 All KTM Duke II 640 990 Superduke RC8 1190 RC8 R 1190 MOTO MORINI 9 1/2 1200 Corsaro 1200 Corsaro 1200 Veloce Corsaro Avio 1200 Sport 1200	1994-1998 1999-2000 1997-1999 2002-2004 2003-2007 2005-2013 2008-2011 2009-2016 2006-2010 2005-2010 2007-2009 2008-2009 2008-2010
MD634LS MD634RS 4 bolt fixing 32.4mm offset	F/R F/R	Floating Floating	280 280	Gold Gold	Plain Plain	9 9			DUCATI 250/350/450 Desmo/Single 750 Sport 750 SS 860 GT/GTS 900 GTS 900 SD Darmah 900 SS	1974-1977 1974 1975-1976 1975-1976 1975-1976 1977-1978 1975-1976
MD635RS	Front	Floating	320	Silver	Plain	9			APRILIA AF1 125	1987-1991
MD636X MD636XC	Front Front	Floating Floating	320 320	Gold Gold	Plain Contour	6 6			DUCATI 748 R 996 R	2001-2002 2001
MD637	Rear	Solid	240		Plain				MZ/MUZ Skorpion Replica Skorpion Sport/Cup Skorpion Tour/Traveller	1995-2001 1995-2001 1995-2002
MD638 6 bolt fixing	Rear	Solid	230		Plain				CAGIVA Mito 125 All models Mito 125 SP525 Planet 125 Raptor 125 Mito 50 River 60	1993-2007 2008-2010 1999-2003 2003-2010 2007-2008 1995-1999
MD639LS	Front	Solid	290		Plain				APRILIA RS 50	1993-1998
MD640 VR640BLK VR640BLU VR640RED VR640GLD	Front Front Front Front	Floating Floating Floating Floating	310 310 310 310	Silver Black Blue Red Gold	Plain Vee Vee Vee Vee	6 6 6 6 6			TRIUMPH HINCKLEY PRODUCED MACHINES Daytona 750 Speed Triple 750/900 Carb Models Daytona 900 Daytona Super III 3 cyl Sprint All carb models Trophy 900 Daytona 1000 Daytona 1200 Trophy 1200 From Vin 4902	1992 1994-1996 1993-1996 1994-1997 1994-1998 1994-2001 1992 1993-1998 1994-2001
MD641 VR641	Rear Rear	Solid Solid	255 255		Plain Vee				TRIUMPH HINCKLEY PRODUCED MACHINES Daytona 750 Speed Triple 750/900 Carb Models Trident 750 Daytona 900 Daytona Super III 3 cyl Sprint All carb models Sprint All carb models Trident 900 Trophy 900 Daytona 1000 Daytona 1200 Trophy 1200 From Vin 4902 Trophy 1200 Up to Vin 4901	1992 1994-1996 1992-1998 1993-1996 1994-1997 1993 1994-1998 1992-1998 1992-2001 1992 1993-1998 1994-2001 1992-1993

DISC BUYERS GUIDE

STREETBIKE DISC BUYERS GUIDE

Disc No.	F/R	Type	Dia. mm	Hub Color	Profile	Bobbins	Left Bracket	Right Bracket	Model	Year
MD642LS Note: Floating conversion available see MD629X	Front	Solid	320		Plain				TRIUMPH HINCKLEY PRODUCED MACHINES Adventurer 900 Legend TT Thunderbird 900	1996-2001 1998-2001 1995-2003
MD643 VR643	Rear Rear	Solid Solid	285 285		Plain Vee				TRIUMPH HINCKLEY PRODUCED MACHINES Speedmaster 790cc/Carbs America 865cc America America EE America LT - 865cc Bonneville America Speedmaster 865cc/Carbs Speedmaster 865cc/EFI Tiger 885i IE Adventurer 900 Legend TT Thunderbird 900 Thunderbird Sport 900 Tiger 955i WE	2003-2004 2010-2017 2007-2009 2014-2017 2002-2006 2005-2007 2008-2016 1998-1999 1996-2001 1998-2001 1995-2003 1998-2004 2000-2004
MD644	Front	Solid	276		Plain				AJS CR3-125 Regal Raptor HONDA CBR 125 R CBR 125 RW CBR 150 R TRIUMPH HINCKLEY PRODUCED MACHINES Tiger 885-E	2006 2004-2006 2007-2010 2000-2003 1992-1997
MD645	Rear	Solid	255		Plain				TRIUMPH HINCKLEY PRODUCED MACHINES Tiger 885-E	1992-1997
MD646LS MD646RS VR646BLK VR646BLU VR646RED VR646GLD	Front Front Front Front Front	Floating Floating Floating Floating Floating	296 296 296 296 296	Silver Silver Black Blue Red Gold	Plain Plain Vee Vee Vee Vee	6 6 6 6 6 6			TRIUMPH HINCKLEY PRODUCED MACHINES Trident 750 Sprint All carb models Trident 900 Trophy 900 Trophy 1200 Up to Vin 4901	1992-1998 1993 1992-1998 1992-1993 1992-1993
MD647X MD647XC VR647BLK VR647BLU VR647RED VR647GLD	Front Front Front Front Front	Floating Floating Floating Floating Floating	320 320 320 320 320	Gold Gold Black Blue Red Gold	Plain Contour Vee Vee Vee Vee	6 6 6 6 6 6			TRIUMPH HINCKLEY PRODUCED MACHINES T595 Daytona E Speed Triple T509 EFI 885cc Daytona 955i Speed Triple EFI 955cc Sprint RS Sprint ST 955i	1997 1997-1998 1998-2000 1999-2002 1999-2004 1999-2004
MD648 MD648C VR648	Rear Rear Rear	Solid Solid Solid	220 220 220		Plain Contour Vee				TRIUMPH HINCKLEY PRODUCED MACHINES T595 Daytona E Daytona 600 Speedfour 600 TT 600 Daytona 650 Daytona 675 Daytona 675 R Street Triple 675 Naked Street Triple R 675 Speed Triple T509 EFI 885cc Daytona 955i Speed Triple 955 EFI Speed Triple EFI 955cc Speed Triple 1050cc	1997 2003-2004 2002-2005 2000-2003 2005 2006-2012 2011-2012 2007-2012 2009-2012 1997-1998 1998-2006 2002-2004 1999-2002 2005-2011
MD649 MD649CX Note: Floating conversion available see MD601LS/RS	Front Front	Solid Solid	310 310		Plain Contour				TRIUMPH HINCKLEY PRODUCED MACHINES Speedmaster 790cc/Carbs Speedmaster 865cc/Carbs Tiger 885i IE Thunderbird Sport 900 Tiger 955i WE	2003-2004 2005-2007 1998-1999 1998-2004 2000-2004
MD650	Front	Solid	300		Plain				BMW F 650 E169/0161/Standard F 650 E169/0162/Funduro/High Screen F 650 ST E169/0163/0168/Strada/Low Screen	1993-1996 1997-2000 1997-2000

STREETBIKE DISC BUYERS GUIDE

Disc No.	F/R	Type	Dia. mm	Hub Color	Profile	Bobbins	Left Bracket	Right Bracket	Model	Year
MD651	Rear	Solid	240		Plain				BENELLI Tornado T 600 TNT 899 S Tornado Tre TNT 899 Tornado Tre TRE-K 899 Tornado 900 Tornado Tre Novecento/LE/RS TNT 1130 Café Racer TNT 1130 Sport/Sport Evo TNT 1130 Titanium TNT 1130 Tornado Naked Tre TRE 1130 Tornado TRE-K 1130 BMW F 650 CS/Scarver K14/0174/0184 F 650 CS/Scarver K14/0177/0187 F 650 E169/0161/Standard F 650 E169/0162/Funduro/High Screen F 650 GS Dakar R13/0173/0183 F 650 GS Dakar R13/0176/0186 F 650 GS R13/0172/0182 F 650 GS R13/0175/0185 F 650 ST E169/0163/0168/Strada/Low Screen G 650 GS R131 G 650 GS Sertao HUSQVARNA TR 650 Strada TR 650 Terra ROYAL ENFIELD Continental GT	2020-2023 2007-2011 2007-2016 2007-2016 2002 2003-2005 2005-2012 2004-2009 2005-2006 2006-2007 2006-2010 2006-2017 2000-2003 2004-2007 1993-1996 1997-2000 1999-2003 2004-2007 1999-2003 2004-2007 1997-2000 2009-2015 2012-2014 2012-2013 2012-2013 2013-2016
MD652 MD652C	Front Front	Solid Solid	305 305		Plain Contour				BMW R850 C R850 GS R850 R R850 RT K1100 RS R1100 GS R1100 R R1100 RT R1100 S 1996-Nov. 2000 R1150 GS Adventure Evo R21A 0441/0492 R1150 GS R21 Evo/0415/0495 K1200 LT R1200 C Classic R1200 C HE R1200 C Independent R1200 C Montauk R1200 C WE R1200 CL R1200 Independent	1997-2000 1996-2000 1994-1996 1996-2001 1996-2000 1993-1999 1993-1996 1994-2001 1996-2000 2001-2006 1998-2003 1997-2000 2003-2004 1996-2002 2003-2004 2004 1996-2002 2002-2004 2000-2002
MD653 MD653C	Rear Rear	Solid Solid	276 276		Plain Contour				BMW R850 GS R850 R R850 RT R1100 GS R1100 R R1100 RT R1100 S R1150 GS Adventure Evo R21A 0441/0492 R1150 GS R21 Evo/0415/0495 R1150 R R1150 R Rockster R1150 RS AE R1150 RT AE	1996-2000 1994-2006 1996-2006 1993-1999 1993-2001 1994-2001 1996-2006 2001-2006 1998-2003 2001-2006 2003-2006 2001-2004 2000-2006
MD656 VMD656 4 bolt fixing	F/R F/R	Floating Floating	250 250	Gold Black	Plain Plain	9 9			TRIUMPH MERIDEN PRODUCED MACHINES T140 E Bonneville T140 ES T140 Silver Jubilee Bonneville T140 V Bonneville TSS 750 TSX 750	1978-1983 1980-1981 1977 1973-1978 1983 1983

STREETBIKE DISC BUYERS GUIDE

Disc No.	F/R	Type	Dia. mm	Hub Color	Profile	Bobbins	Left Bracket	Right Bracket	Model	Year
MD657LS MD657RS	Front Front	Floating Floating	260 260	Gold Gold	Plain Plain	9 9			DUCATI 500 Pantah Pantah 600	1979 1981
MD658 Billet	Rear	Solid	240		Plain				APRILIA AF1 125	1987-1991
MD659 6 bolt fixing	Rear	Solid	220		Plain				APRILIA RS 125 SACHS HERCULES Roadster 650	1992-1998 2001-2005
MD660LS MD660RS	Front Front	Floating Floating	298 298	Silver Silver	Plain Plain	9 9			APRILIA RS 250 CAGIVA Raptor/V-Raptor/X-tra R V-Raptor/Raptor 650	1995-2002 2000-2005 2001-2007
MD661	Rear	Floating	285	Silver	Plain	9			BMW K75 RT K75 S K100 LT K100 RS K100 RT K1 K100/2 K1100 LT R1100 RS K1200 GT 2 pin rear pad K41 K1200 RS K589	1989-1996 1985-1995 1986-1991 1983-1992 1983-1989 1988-1993 1987-1990 1989-1999 1992-2001 2003-2006 2001-2004
MD662X MD662XC VR662BLK VR662BLU VR662RED VR662GLD GOLD	Front Front Front Front Front Front	Floating Floating Floating Floating Floating Floating	310 310 310 310 310 310	Gold Gold Black Blue Red Gold	Plain Contour Vee Vee Vee Vee	6 6 6 6 6 6			TRIUMPH HINCKLEY PRODUCED MACHINES Daytona 600 Speedfour 600 TT 600 Daytona 650	2003-2004 2002-2005 2000-2003 2005
MD663 MD663C VR663	Rear Rear Rear	Solid Solid Solid	255 255 255		Plain Contour Vee				TRIUMPH HINCKLEY PRODUCED MACHINES Bonneville 790cc Bonneville T100 790cc Tiger 800 Tiger 800 XC Bonneville 865cc Bonneville Bonneville Black 865cc Bonneville New Church 865cc Bonneville SE 865cc Bonneville Spirit 865cc Bonneville Steve McQueen SE 865cc Bonneville T100 865cc Bonneville T100 Black 865cc Bonneville T214 865cc Scrambler 865 Thruxton 900 Thruxton Ace 900 Sprint RS Sprint ST 955i Speed Triple 1050cc Speed Triple R 1050cc Sprint ST 1050 Sprint ST 1050i Tiger 1050 E Tiger 1050 SE	2001-2006 2002-2004 2011-2014 2011-2014 2009-2015 2007-2008 2015 2009-2011 2015 2012 2005-2016 2014-2016 2015 2006-2015 2004-2016 2015-2016 1999-2004 1999-2004 2011-2016 2012-2016 2005-2010 2011-2012 2007-2011 2010-2013
MD664 MD664C 6 bolt fixing	Rear Rear	Solid Solid	220 220		Plain Contour				APRILIA RS 50 Tuono 50 RS 125 Tuono 125	1999-2005 2004 1999-2012 2003-2004
MD665	Rear	Solid	220		Plain				APRILIA RS 250	1995-2002

STREETBIKE DISC BUYERS GUIDE

Disc No.	F/R	Type	Dia. mm	Hub Color	Profile	Bobbins	Left Bracket	Right Bracket	Model	Year
MD666X MD666XC GOLD	Front Front	Floating Floating	320 320	Gold Gold	Plain Contour	6 6			APRILIA RSV 1000 Mille RSV 1000 Mille R SL 1000 Falco CAGIVA Raptor X3 1000	1998-2000 2000 2000-2004 2003-2004
MD667 SILVER	Front	Floating	300	Silver	Plain	9			MOTO GUZZI 1000 Daytona	1992-1995
MD668LS MD668RS	Front Front	Floating Floating	299 299	Gold Gold	Plain Plain	9 9			LAVERDA 1000 SFC	1985-1986
MD669X MD669XC VR669BLK VR669BLU VR669RED VR669GLD	Front Front Front Front Front Front	Floating Floating Floating Floating Floating Floating	320 320 320 320 320 320	Gold Gold Black Blue Red Gold	Plain Contour Vee Vee Vee Vee	6 6 6 6 6 6			TRIUMPH HINCKLEY PRODUCED MACHINES Daytona 955i Speed Triple 955 EFi Sprint ST 1050 Rocket III 2300cc Rocket III Classic Rocket III Roadster Rocket X Touring ZERO ELECTRIC MOTORCYCLES Zero SR/F R Zero SR/S 14.4 kWh	2001-2006 2002-2004 2005-2010 2004-2009 2007-2009 2010-2018 2015-2016 2019-2021 2019-2021
MD671	Rear	Solid	265		Plain				BMW CE 04 Electric C 400 GT C 400 X F 650 GS 30 Years/798cc F 650 GS K72/0218/0228/798cc F 700 GS F 750 GS Edition 40 F 750 GS K80 F 800 GS All Models F 800 GT F 800 R All Models F 800 S Half Fairing F 800 ST Full Fairing F 800 ST Touring F 850 GS Adventure- Edition 40 F 850 GS Adventure K82 F 850 GS Edition 40 F 850 GS K81 F 900 GS F 900 GS Adventure S 1000 XR K49 R Nine T /5 K21/1170cc R Nine T Café Racer K32/1170cc R Nine T K21/1170cc R Nine T Pure K22/1170cc R Nine T Scrambler K21/1170cc R Nine T Urban GS K33/1170cc R12 Cruiser R12 Nine T HP2 Enduro HP2 Megamoto HP2 Sport K1200 R Sport K43 K1200 R Tokico Caliper K1200 S K40 R1200 GS 30 Years R1200 GS Adventure R1200 GS Adventure - 30 Years R1200 GS Adventure - Triple Black R1200 GS Adventure K25/0382 R1200 GS Adventure/M K25/0380/ R1200 GS HE R1200 GS K25/0307 R1200 GS M K25/0303 R1200 GS Rallye R1200 GS Triple Black R1200 R 06-K27 R1200 R 06-K27 R1200 R 11-K27	2021-2023 2018-2023 2018-2023 2011 2007-2012 2013-2018 2020-2022 2016-2023 2008-2024 2013-2020 2009-2015 2006-2017 2006-2012 2010-2017 2020-2022 2018-2023 2020-2022 2017-2023 2023-2024 2023-2024 2015-2018 2020-2021 2016-2020 2014-2022 2016-2023 2016-2023 2017-2023 2024 2024 2005-2009 2007-2010 2008-2011 2007-2010 2005-2007 2005-2008 2011 2010-2013 2011 2012 2005-2007 2006-2009 2010-2011 2002-2007 2006-2009 2012 2011-2013 2006-2007 2007-2014 2008-2014

STREETBIKE DISC BUYERS GUIDE

Disc No.	F/R	Type	Dia. mm	Hub Color	Profile	Bobbins	Left Bracket	Right Bracket	Model	Year
MD671 Contd.	Rear	Solid	265		Plain				R1200 R Classic R1200 R SE R1200 RT K26/0368 R1200 RT K52 R1200 RT SE K52 R1200 S K29/0366 R1200 ST K28/0328 K1300 R All K1300 S All HUSQVARNA Nuda 900 SE Nuda 900 R	2011-2013 2010-2011 2005-2009 2010-2013 2010-2013 2006-2008 2003-2008 2009-2015 2009-2015 2012-2013 2012-2013
MD672LS	Front	Solid	280		Plain				APRILIA RS 50 Tuono 50 MBK TZR 50 X Power YAMAHA TZR 50	1999-2005 2004 2003-2010 2003-2016
MD673LS GOLD	Front	Floating	298	Gold	Plain				APRILIA Moto 6.5	1995-2001
MD674 GOLD	Rear	Solid	220		Plain				APRILIA Moto 6.5	1995-2001
MD675 SILVER	Front	Floating	310	Silver	Plain	9			MV AGUSTA F4 750 S Mono Posto	1999-2004
MD676 BLACK HUB	Front	Floating	310	Gold	Plain	6			TRIUMPH HINCKLEY PRODUCED MACHINES Tiger 955i HE	2004-2006
MD677	Rear	Solid	285		Plain				TRIUMPH HINCKLEY PRODUCED MACHINES Tiger 955i HE	2004-2006
MD679X MD679XC VR679BLK VR679BLU VR679RED VR679GLD	Front Front Front Front Front Front	Floating Floating Floating Floating Floating Floating	320 320 320 320 320 320	Gold Gold Black Blue Red Gold	Plain Contour Vee Vee Vee Vee	6 6 6 6 6 6			TRIUMPH HINCKLEY PRODUCED MACHINES Speed Triple 1050cc Speed Triple R 1050cc Tiger 1050 E Tiger 1050 SE Tiger 1050 Sport	2005-2006 2012-2013 2007-2011 2010-2013 2013-2021
MD680 MD680C GOLD	Front Front	Floating Floating	305 305	Gold Gold	Plain Contour	9 9			KTM 950 Supermoto 990 SM-R 990 SM-R 990 SM-T	2005-2007 2008-2013 2010-2013 2009-2013
MD681 MD681C VR681	Rear Rear Rear	Solid Solid Solid	240 240 240		Plain Contour Vee				KTM 690 Duke 790 Duke 950 Supermoto 990 SM-R 990 SM-T 990 Superduke	2008-2012 2018-2024 2005-2007 2008-2013 2009-2013 2005-2013
MD682	Front	Solid	320		Plain				DUCATI Multistrada 1000 DS 992cc Multistrada 1000 S DS 992cc Multistrada 1100 1078cc Multistrada 1100 S 1078cc	2003-2005 2005-2006 2007-2009 2007-2009
MD683RS	Front	Floating	316	Silver	Plain	9			SACHS HERCULES Roadster 650	2001-2005
MD684	Front	Floating	320	Gold	Plain	9			NORTON F1 Rotary P55 Model F1 Rotary P55 B Model	1990 1990-1991

STREETBIKE DISC BUYERS GUIDE

Disc No.	F/R	Type	Dia. mm	Hub Color	Profile	Bobbins	Left Bracket	Right Bracket	Model	Year
MD685LS	Front	Solid	300		Plain				APRILIA RS 50 RS4 50 RS 125 Euro 5 RS 125 GP Replica RS4 125 Tuono 125 Euro 5 DERBI GPR 50 GPR 50 Nude GPR 50 Racing GPR 125 Nude GPR 125 R GPR 125 Racing Mulhacen 125 Café GILERA SC 125	2006-2011 2011-2020 2017-2024 2018-2024 2011-2020 2018-2024 2004-2011 2004-2009 2008-2010 2004-2008 2009-2014 2004-2007 2008-2011 2006-2007
MD686	Rear	Solid	180		Plain				APRILIA RS 50 DERBI GPR 50 GPR 50 Nude GPR 50 Racing GPR 125 Nude GPR 125 Racing GILERA SC 125	2006-2011 2004-2007 2004-2009 2008-2010 2004-2008 2004-2007 2006-2007
MD687	Front	Solid	305		Plain				BMW F 750 GS Edition 40 F 750 GS K80 F 850 GS Adventure- Edition 40 F 850 GS Adventure K82 F 850 GS Edition 40 F 850 GS K81 F 900 GS F 900 GS Adventure HP2 Enduro R1200 GS 30 Years R1200 GS Adventure R1200 GS Adventure - 30 Years R1200 GS Adventure - Triple Black R1200 GS Adventure K25/0382 R1200 GS Adventure K51 R1200 GS Adventure/M K25/0380/ R1200 GS HE R1200 GS K25/0307 R1200 GS K50 R1200 GS M K25/0303 R1200 GS Rallye R1200 GS Triple Black R 1250 GS Adventure Edition 40 R 1250 GS Adventure K51 R 1250 GS Edition 40 R 1250 GS Exclusive TE K50 R 1250 GS K50 R 1250 GS Rallye K50 R 1250 GS Rallye TE K50 R 1250 GS TE K50	2020-2022 2016-2023 2020-2022 2018-2023 2020-2022 2017-2023 2023-2024 2023-2024 2005-2009 2011 2010-2013 2011 2012 2005-2007 2014-2018 2006-2009 2010-2011 2002-2007 2013-2018 2006-2009 2012 2011-2013 2020-2022 2019-2024 2020-2022 2019-2020 2019-2023 2019-2020 2019-2020 2019-2020
MD688	Rear	Solid	294		Plain				BMW K1200 GT K44 K1300 GT K1300 GT SE	2006-2008 2009-2011 2010-2011

DISC BUYERS GUIDE

STREETBIKE DISC BUYERS GUIDE

Disc No.	F/R	Type	Dia. mm	Hub Color	Profile	Bobbins	Left Bracket	Right Bracket	Model	Year
MD689 MD689C	Rear Rear	Solid Solid	220 220		Plain Contour				HYOSUNG GT 125 GT 125 Comet GT 125 i Comet 250 GT GT 250 GT 250 Naked GT 250 R Carbs GT 650 GT 650 Comet GT 650 S GT 650 X SUPERBYKE R-SR 250	2003-2014 2004-2006 2013-2015 2004-2005 2008-2015 2006-2012 2005-2007 2007-2015 2004-2011 2005-2008 2007 2007-2008
MD690 MD690C	Front Front	Floating Floating	300 300	Gold Gold	Plain Contour	9 9			HYOSUNG GT 125 GT 125 Comet GT 125 i Comet 250 GT GT 250 GT 250 Naked GT 250 R Carbs GT 650 GT 650 Comet GT 650 S SUPERBYKE R-SR 250	2003-2014 2004-2006 2013-2015 2004-2005 2008-2015 2006-2012 2005-2007 2007-2015 2007-2011 2005-2008 2007-2008
MD691	Front	Floating	300	Gold	Plain	6			HYOSUNG GV 650 EFI GV 650 i Pro GV 700 C R ST7 ST 700 i Deluxe ST7 ST 700 i R	2007-2012 2012-2015 2006-2009 2012-2015 2010-2015
MD692 MD692C	Rear Rear	Solid Solid	282 282		Plain Contour				MOTO GUZZI 1000 Daytona RS Centaurio V10 GT Centaurio V10 Sport California 1100 All Models V11 1100 All Models	1997-1998 1997-1999 1997-1999 1994-2012 1999-2005
MD693LS MD693RS	Front Front	Floating Floating	272 272	Silver Silver	Plain Plain	6 6			MOTO GUZZI 750 SP SP KE Nevada 750 1000 III 1000 Le-Mans IV/V DE 1000 Le-Mans IV/V KE 1000 S E California 1000 III California 1000 III - EFI Strada 1000 California 1100 Carb	1990-1992 1991-2011 1984-1988 1984-1993 1984-1993 1984-1993 1987-1993 1990-1993 1993-1994 1994-1997
MD694X MD694XC VR694BLK VR694BLU VR694RED VR694GLD	Front Front Front Front Front	Floating Floating Floating Floating Floating	330 330 330 330 330	Gold Gold Black Blue Red Gold	Plain Contour Vee Vee Vee Vee	6 6 6 6 6 6			DUCATI Desmosedici RR D16RR Panigale V4 R 998cc Panigale V4 Superleggera 998cc 1098 All Streetfighter 1100 1099cc Streetfighter 1100 S 1099cc Panigale V4 1103cc Panigale V4 S 1103cc Panigale V4 SP 1103cc Panigale V4 SP2 1103cc Streetfighter V4 1103cc Streetfighter V4 Lamborghini Streetfighter V4 S 1103cc Streetfighter V4 SP 1103cc Streetfighter V4 SP2 1103cc 1198 All Panigale 1199 Panigale 1199 R Panigale 1199 R	2008 2021-2024 2021-2023 2007-2009 2009-2010 2009-2013 2018-2024 2018-2024 2021 2023-2024 2019-2024 2023 2019-2024 2021 2023-2024 2009-2011 2013-2016 2012-2013 2012-2015

STREETBIKE DISC BUYERS GUIDE

Disc No.	F/R	Type	Dia. mm	Hub Color	Profile	Bobbins	Left Bracket	Right Bracket	Model	Year
MD694X MD694XC VR694BLK VR694BLU VR694RED VR694GLD Contd.									Panigale 1199 S Panigale 1199 S Tricolore Panigale 1199 Superleggera Panigale 1299 Panigale 1299 R Panigale 1299 R Final Edition Panigale 1299 S Panigale 1299 Superleggera Panigale 1299 V4 Corse/Speciale Panigale 1299 V4 R	2012-2015 2012-2013 2014 2015-2018 2015-2017 2018 2015-2018 2017 2018-2020 2019-2020
MD695 MD695C VR695	Rear Rear Rear	Solid Solid Solid	245 245 245		Plain Contour Vee				DUCATI 1098 All Streetfighter 1100 1099cc Streetfighter 1100 S 1099cc 1198 R 1198 R Corse 1198 S 1198 S Corse 1198 SP	2007-2009 2009-2010 2009-2013 2009-2011 2010 2009-2010 2010 2011
MD696	Rear	Solid	210		Plain				MV AGUSTA Brutale 750 Oro F4 Brutale 750 S F4 F4 750 S 1+1 Bi Posto F4 750 S Mono Posto F4 750 SPR F4 750 SPR Senna Brutale 910 R Brutale 910 S Brutale 998 Nurburgring Brutale 998 RR Brutale 998 RS Frecce Tricolori 998 Rush 998 1000 F4 1000 R 312 1+1 Brutale 1090 F4 1000 Ago F4 1000 R 312 F4 1000 R Senna F4 1000 S Mono Posto F4 1000 Ss 1+1 Bi Posto F4 1000 Tamburini F4 998 F4 998 RR F4 998 RR Corsa Corta Brutale RR 1078 RR F4 1078 100 CC Claudio Castiglioni F4 1078 RR 312 Brutale 1090 RR	2003-2005 2003-2005 2001-2004 1999-2004 2001-2004 2001-2003 2006-2012 2006-2008 2021-2022 2021-2022 2021-2022 2010 2021-2022 2007-2008 2012-2015 2005 2007-2009 2006-2008 2004-2006 2004-2006 2005 2010-2015 2010-2015 2012 2008-2009 2007-2008 2009 2010-2015
MD697 MD697C	Rear Rear	Solid Solid	255 255		Plain Contour				APRILIA RST Futura 1000	2001-2004
MD698LS	Front	Solid	300		Plain				DERBI Senda 125 Baja SM Senda 125 R Senda 125 SM	2006-2012 2004 2004-2007
MD699 Billet	Rear	Solid	316		Plain				TRIUMPH HINCKLEY PRODUCED MACHINES Rocket III 2300cc Rocket III Classic Rocket III Roadster Rocket III Touring Rocket X Touring	2004-2009 2007-2009 2010-2018 2008-2017 2015-2016
MD711LD MD711RD	Front Front	Floating Floating	282 282	Gold Gold	Plain Plain	10 10			YAHAMA RACING CALIPER TZ 125 TZ 250	1994-1997 1989-1996
MD713	Rear	Solid	185		Plain				HONDA RACING CALIPER RS 125	1988-2007

STREETBIKE DISC BUYERS GUIDE

Disc No.	F/R	Type	Dia. mm	Hub Color	Profile	Bobbins	Left Bracket	Right Bracket	Model	Year
MD714X MD714XC	Front Front	Floating Floating	280 280	Gold Gold	Plain Contour	6 6			KAWASAKI GPZ 500 S EX	1987-2001
MD719RS GOLD	Front	Floating	340	Natural	Plain	9			BUELL S1 Lightning S1 White Lightning AE X1 Lightning AE M2 Cyclone S2 Thunderbolt S3 Thunderbolt AE	1994-2000 1998-2000 1998-2000 1994-2000 1994-1997 1998-2000
MD724	Rear	Solid	198		Plain				HONDA RACING CALIPER RS 250 RS 250 RS 250	1988-1989 1990-1994 1995-2002
MD727 VR727BLK	Rear Rear	Floating Floating	300 300	Gold Black	Plain Vee	9 9			VICTORY V92C Standard Cruiser V92SC Special Edition V92SC Sport Cruiser	1998-1999 2000 2000
MD732	Rear	Solid	185		Plain				YAHAMA RACING CALIPER TZ 125 TZ 250 TZ 350	1994-1997 1989-2010 1980-1990
MD734RS	Front	Floating	340	Silver	Plain	9			BUELL X1 Lightning AE M2 Cyclone AE	2000-2005 2000-2005
MD735RS	Front	Solid	375		Plain				BUELL Firebolt XB9R 1125CR R 1125R R XB12 R Firebolt XB12 R Firebolt XB12 S Ulysses XB12 SCG Lightning XB12 Ss Lightning XB12 Ss Lightning Long XB12 STT Lightning XB12 XT Ulysses XB9S Lightning XB9SX Lightning XB9SX Lightning City X EBR 1190 RS Sport 1190 RX Sport 1190 SX	2002-2006 2009-2009 2008-2009 2004-2007 2009-2009 2006-2009 2006-2008 2009-2009 2006-2008 2009-2009 2008-2009 2003-2003 2004-2009 2005-2008 2014-2015 2014-2015 2014-2015
MD737 VR737	Front Front	Solid Solid	320 320		Plain Vee				BUELL Blast	2000-2007
MD738	Front	Solid	220		Plain				BUELL Blast	2000-2007
MD800X MD800XC VR800BLK VR800BLU VR800RED VR800GLD	Front Front Front Front Front Front	Floating Floating Floating Floating Floating Floating	308 308 308 308 308 308	Gold Gold Black Blue Red Gold	Plain Contour Vee Vee Vee Vee	6 6 6 6 6 6			TRIUMPH HINCKLEY PRODUCED MACHINES Daytona 675 Daytona 675 R Street Triple 675 Naked Street Triple R 675	2006-2017 2013-2017 2007-2012 2009-2012
MD801 VR801	Front Front	Solid Solid	250 250		Plain Vee				CAN AM Spyder RS Spyder RS SE5 Spyder RS SM5 Spyder RS-S Spyder RT Spyder RT LTD Spyder RT-S	2010-2012 2008-2009 2008-2009 2010-2012 2010-2012 2010-2012 2010-2012

STREETBIKE DISC BUYERS GUIDE

Disc No.	F/R	Type	Dia. mm	Hub Color	Profile	Bobbins	Left Bracket	Right Bracket	Model	Year
MD802 VR802	Rear Rear	Solid Solid	250 250		Plain Vee				CAN AM Spyder RS Spyder RS SE5 Spyder RS SM5 Spyder RS-S Spyder RT Spyder RT LTD Spyder RT-S	2010-2012 2008-2009 2008-2009 2010-2012 2010-2012 2010-2012 2010-2012
MD803	Front	Solid	320		Plain				BMW F 800 S Half Fairing F 800 ST Full Fairing R1100 S Dec. 2000-2003 R1200 RT K26/0368 R1200 S K29/0366 R1200 ST K28/0328 INDIAN FTR 1200 R FTR 1200 Rally FTR 1200 S FTR 1200 S Race Replica	2006-2008 2006-2008 2000-2003 2005-2007 2006-2007 2003-2007 2019-2022 2019-2022 2019-2022 2019-2022
MD804	Front	Solid	320		Plain				BMW F 800 R F 800 R Chris Pfeiffer Edition F 800 R K73 F 800 R Sport K73 F 800 S Half Fairing F 800 ST Full Fairing F 800 ST Touring F 900 R R K83 F 900 XR XR K84 S 1000 R S 1000 R K47 S 1000 RR K46 S 1000 XR K49 S 1000 XR K69 R Nine T /5 K21/1170cc R Nine T Café Racer K32/1170cc R Nine T K21/1170cc R Nine T Pure K22/1170cc R Nine T Scrambler K21/1170cc R Nine T Urban GS K33/1170cc R12 Cruiser R12 Nine T HP2 Megamoto HP2 Sport K1200 GT K44 R1200 R 06-K27 R1200 R 06-K27 R1200 R 11-K27 R1200 R Classic R1200 R K53 R1200 R SE R1200 R Sport K53 R1200 RS K54 R1200 RS Sport K54 R1200 RT K26/0368 R1200 RT K52 R1200 RT K52 R1200 RT SE K52 R1200 S K29/0366 R1200 ST K28/0328 R 1250 R K53 R 1250 RS K54 R 1250 RT K52 K1300 GT K1300 GT SE K1300 R All Models K1300 S K43 All	2009-2013 2009-2011 2014-2020 2015 2008-2017 2008-2012 2010-2017 2020-2023 2020-2023 2020-2023 2014-2018 2010-2018 2015-2018 2019-2024 2020-2021 2016-2020 2014-2022 2016-2023 2016-2023 2017-2023 2024 2024 2007-2010 2008-2011 2006-2008 2006-2007 2007-2014 2008-2014 2011-2013 2014-2018 2010-2011 2015-2018 2015-2018 2015-2018 2007-2009 2010-2013 2014-2018 2010-2013 2007-2008 2007-2008 2019-2023 2019-2023 2019-2023 2009-2011 2010-2011 2009-2015 2012-2015

DISC BUYERS GUIDE

STREETBIKE DISC BUYERS GUIDE

Disc No.	F/R	Type	Dia. mm	Hub Color	Profile	Bobbins	Left Bracket	Right Bracket	Model	Year
MD805 MD805C	Rear Rear	Solid Solid	220 220		Plain Contour				CAGIVA Mito 50 Prima 50 Super City 50/80 DERBI GPR 50 GPR 50 Replica Racing Senda DRD Racing 50 Senda DRD Racing 50 SM Senda DRD SM Racing LTD SR2A2B Model	1998-1999 1992-1994 1993-1995 1997-2001 1999-2003 2011-2012 2011-2012 2005-2007
MD806LS	Front	Solid	260		Plain				CAGIVA Mito 50 DERBI GPR 50 GPR 50 Replica Racing SACHS HERCULES Madass 50 Madass 125	1998-1999 1997-2001 1999-2003 2004-2009 2005-2009
MD807LS	Front	Floating	280	Silver	Plain	6			DERBI Cross City 125 Mulhacen 125 R Terra 125 Adventure Terra 125 Euro	2007-2014 2007-2010 2007-2014 2007-2011
MD808	Rear	Solid	218		Plain				DERBI Senda DRD Pro 50 SM Senda DRD Racing 50 Senda DRD Racing 50 SM Cross City 125 Mulhacen 125 R Senda 125 Baja R Senda 125 Baja SM Senda 125 R Senda 125 SM Terra 125 Adventure Terra 125 E3 Terra 125 Euro	2005-2014 2004-2010 2004-2010 2007-2014 2007-2010 2006-2012 2006-2012 2004 2004-2007 2007-2014 2008-2010 2007-2011
MD809 MD809C	Front Front	Solid Solid	300 300		Plain Contour				BMW G 650 Xchallenge G 650 Xcountry	2007-2009 2007-2009
MD810 MD810C	Rear Rear	Solid Solid	240 240		Plain Contour				BMW G 650 Xchallenge G 650 Xcountry	2007-2009 2007-2009
MD811	Front	Floating	300						APRILIA RX 50 Factory SX 50 SX 50 Factory SX 50 Limited Edition SXR 50 3V E5 HE 4T DERBI Senda DRD Pro 50 SM Senda DRD Racing 50 Senda DRD Racing 50 SM	2006-2020 2006-2020 2019-2020 2014-2016 2021-2024 2005-2014 2004-2012 2004-2012
MD812	Rear	Solid	220		Plain				KTM RC8 1190 RC8 R 1190	2008-2011 2009-2016
MD813	Front	Floating	300	Gold	Plain				BETA Jonathan 125 Euro 350 CCM CR 40 Café Racer	2000-2005 2000-2006 2007-2008
MD814	Rear	Solid	220		Plain				DAELIM History 125	2001-2006
MD815	Rear	Solid	220		Plain				SACHS HERCULES XTC 125 N XTC 125 Supersport	2000-2007 2000-2007

STREETBIKE DISC BUYERS GUIDE

Disc No.	F/R	Type	Dia. mm	Hub Color	Profile	Bobbins	Left Bracket	Right Bracket	Model	Year
MD816	Rear	Solid	230		Plain				NORTON F1 Rotary P55 Model F1 Rotary P55 B Model	1990 1990-1991
MD817X MD817XC VR817BLK VR817BLU VR817RED VR817GLD	Front Front Front Front Front Front	Floating Floating Floating Floating Floating Floating	320 320 320 320 320 320	Gold Gold Black Blue Red Gold	Plain Contour Vee Vee Vee Vee	6 6 6 6 6 6			TRIUMPH HINCKLEY PRODUCED MACHINES Speed Triple 1050cc Speed Triple R 1050cc Speed Triple S 1050cc Vin 735438-867684 Sprint GT 1050/SE Sprint ST 1050i Trophy 1215 Trophy 1215 SE	2007-2016 2014-2016 2017-2018 2010-2020 2011-2012 2012-2016 2012-2017
MD819	Front	Floating	320	Silver	Plain	6			SACHS HERCULES Roadster 800 B805	2002-2005 2003-2004
MD820 MD820C VR820	Rear Rear Rear	Solid Solid Solid	255 255 255		Plain Contour Vee				TRIUMPH HINCKLEY PRODUCED MACHINES Tiger 800 Tiger 800 XC Tiger 800 XCa Tiger 800 XCx Tiger 800 XCx Tiger 800 XR Tiger 800 XRt Tiger 800 XRx Tiger 850 Sport Tiger 900 Tiger 900 GT Tiger 900 GT Low Tiger 900 GT Pro Tiger 900 Rally Tiger 900 Rally Pro Speed Triple 1050cc Speed Triple R 1050cc Sprint GT 1050/SE Sprint ST 1050 Sprint ST 1050i Tiger 1050 Sport	2011-2014 2011-2020 2015-2020 2015-2018 2018-2020 2015-2018 2015-2020 2015-2020 2021-2024 2020-2023 2024 2020-2023 2020-2024 2020-2024 2020-2023 2020-2024 2020-2024 2011-2016 2012-2016 2010-2020 2005-2010 2011-2012 2013-2021
MD821 MD821X* MD821XC* *Floating conversion with stainless steel centre	Front Front Front	Solid Floating Floating	310 310 310		Plain Plain Contour	5 5			TRIUMPH HINCKLEY PRODUCED MACHINES Bonneville 865cc Bonneville New Church 865cc Bonneville SE 865cc Speedmaster 865cc/EFI	2009-2015 2015 2009-2011 2010-2016
MD822 MD822X* MD822XC* *Floating conversion with stainless steel centre	Front Front Front	Solid Floating Floating	310 310 310		Plain Plain Contour	5 5			TRIUMPH HINCKLEY PRODUCED MACHINES Bonneville 790cc Bonneville T100 790cc America 865cc America America EE America LT - 865cc Bonneville America Bonneville Bonneville Black 865cc Bonneville Spirit 865cc Bonneville Steve McQueen SE 865cc Bonneville T100 865cc Bonneville T100 Black 865cc Bonneville T214 865cc Scrambler 865 Speedmaster 865cc/EFI	2001-2006 2002-2004 2010-2017 2007-2009 2014-2017 2002-2006 2007-2008 2015 2012 2005-2016 2014-2016 2015 2006-2015 2008-2009
MD825	Front	Floating	310	Gold	Plain	6			TRIUMPH HINCKLEY PRODUCED MACHINES Thunderbird 1597cc Thunderbird Commander 1699cc Thunderbird LT 1699cc Thunderbird Nightstorm 1699cc Thunderbird Storm 1699cc	2009-2018 2014-2018 2014-2018 2015-2018 2011-2018
MD827	Rear	Solid	240		Plain				SINNIS QM 125 2D Stealth 125	2008-2014

STREETBIKE DISC BUYERS GUIDE

Disc No.	F/R	Type	Dia. mm	Hub Color	Profile	Bobbins	Left Bracket	Right Bracket	Model	Year
MD828	Front	Solid	276		Plain				SINNIS QM 125 2C Vista 125	2008-2014
MD829	Front	Solid	276		Plain				SINNIS QM 125 2V Max 125 QM 125 2V2 Max 11 125	2008-2010 2012-2014
MD831	Rear	Solid	310		Plain				TRIUMPH HINCKLEY PRODUCED MACHINES Thunderbird 1597cc Thunderbird Commander 1699cc Thunderbird LT 1699cc Thunderbird Nightstorm 1699cc Thunderbird Storm 1699cc	2009-2018 2014-2018 2014-2018 2015-2018 2011-2018
MD832	Rear	Solid	220		Plain				BMW HP4 HP4 Carbon M 1000 R M 1000 RR S 1000 R S 1000 R K47 S 1000 R/RR S 1000 RR / RR Sport K67 S 1000 RR K46	2013-2014 2013-2014 2023-2024 2021-2024 2018-2020 2014-2018 2010-2018 2018-2024 2010-2018
MD833	Rear	Solid	218		Plain				APRILIA RS4 50 SX 50 Factory SX 50 Limited Edition RS 125 Euro 5 RS 125 GP Replica RS4 125 Tuono 125 Euro 5 DERBI GPR 50 GPR 125 R Mulhacen 125 Café	2011-2020 2019-2020 2014-2016 2017-2024 2018-2024 2011-2020 2018-2024 2009-2011 2009-2014 2008-2011
MD834 MD834X	Front Front	Solid Floating	300 300		Plain Plain	6			BMW F 650 CS/Scarver K14/0174/0184 F 650 CS/Scarver K14/0177/0187 F 650 GS 30 Years/798cc F 650 GS Dakar R13/0173/0183 F 650 GS Dakar R13/0176/0186 F 650 GS K72/0218/0228/798cc F 650 GS R13/0172/0182 F 650 GS R13/0175/0185 G 650 GS R131 G 650 GS Sertao F 700 GS F 800 GS F 800 GS F 800 GS 30 Years F 800 GS Adventure F 800 GS Triple Black F 800 GS Trophy HUSQVARNA TR 650 Strada TR 650 Terra	2000-2003 2004-2007 2011 1999-2003 2004-2007 2007-2012 1999-2003 2004-2007 2009-2015 2012-2014 2013-2018 2008-2018 2023-2024 2011 2012-2018 2012 2012-2018 2012-2013 2012-2013
MD835 billet	Front	Floating	300	Gold	Plain	6			MOTO GUZZI California 1000 III California 1000 III - EFI California 1100 Carb	1987-1993 1990-1993 1994-1997
MD836C	Front	Solid	240		Contour				DERBI Senda DRD SM Racing LTD SR2A2B Model	2005-2007
MD837	Front	Solid	300		Plain				BENELLI 750 SEi 900 SEi	1975 1983
MD838	F/R	Floating	250	Gold	Plain	6			TRIUMPH MERIDEN PRODUCED MACHINES T140 D Bonneville	1979-1981

STREETBIKE DISC BUYERS GUIDE

Disc No.	F/R	Type	Dia. mm	Hub Color	Profile	Bobbins	Left Bracket	Right Bracket	Model	Year
MD840 MD840C	Rear Rear	Solid Solid	282 282		Plain Contour				MOTO GUZZI Brevia 850 ie Griso 850 Norge 850 940 Bellagio Brevia 1100 Griso 1100 Brevia 1200 Griso 1200 8V Norge 1200 Norge 1200 GT Sport 1200 Stelvio 1200 Stevio 1200 Stevio 1200 NTX Audace 1400 Audace 1400 Carbon California 1400 Touring California 1400 Touring SE Eldorado 1400 MGX 21 1400	2006-2007 2006-2007 2007 2007-2013 2005-2007 2005-2008 2008-2009 2007-2015 2006-2007 2008-2017 2006-2013 2011-2015 2008-2011 2009-2015 2015-2016 2016-2017 2013-2021 2015-2017 2015-2017 2016-2021
MD841X MD841XC VR841BLK VR841BLU VR841RED VR841GLD	Front Front Front Front Front Front	Floating Floating Floating Floating Floating Floating	320 320 320 320 320 320	Gold Gold Black Blue Red Gold	Plain Contour Vee Vee Vee Vee	6 6 6 6 6 6			DUCATI Monster 796 Monster 796 + Monster 796 20th Anniversary Model Hypermotard 821 Hypermotard 821 SP Hyperstrada 821 Monster 821 Dark Monster 821 R Monster 821 Stealth Monster 821 Stripe Desert X 937 Desert X Rally 937 Hypermotard 950 Hypermotard 950 RVE Monster Plus 937cc Monster R 937cc Multistrada 950 R Multistrada 950 S Multistrada 950 V2 Multistrada 950 V2 S Supersport 950 Supersport 950 S Hypermotard 939 SP Hyperstrada 939 Monster 1100 Monster 1100 Diesel Monster 1100 EVO Monster 1100 EVO 20th Anniversary Model Scrambler 1100 All Diavel Diesel Monster 1200 R Multistada 1200 All Models Diavel 1262 Diesel Diavel AMG Diavel Carbon Diavel Chromo Diavel Dark Diavel R Diavel S Diavel Strada X Diavel All Models	2010-2021 2018-2020 2013 2013-2016 2013-2016 2013-2016 2015-2020 2015-2022 2021-2022 2015-2020 2021-2023 2024 2017-2024 2017-2024 2021-2024 2021-2024 2017-2022 2017-2022 2021-2024 2021-2024 2017-2024 2017-2024 2017-2024 2016-2020 2016-2017 2009-2010 2013 2011-2013 2013 2018-2023 2017-2018 2016-2018 2010-2019 2017-2018 2011-2012 2011-2019 2012 2013-2014 2011-2023 2020-2023 2013-2014 2016-2023
MD842X MD842XC VR842BLK VR842BLU VR842RED VR842GLD	Front Front Front Front Front Front	Floating Floating Floating Floating Floating Floating	305 305 305 305 305 305	Gold Gold Black Blue Red Gold	Plain Contour Vee Vee Vee Vee	6 6 6 6 6 6			TRIUMPH Tiger 800 Tiger 800 XC Tiger 800 XCa Tiger 800 XCx Tiger 800 XR Tiger 800 XRt Tiger 800 XRx Speed Twin 1200cc LC Tiger 1200 Explorer XC	2011-2014 2011-2020 2015-2020 2015-2020 2015-2018 2015-2020 2015-2020 2019-2020 2019-2021

DISC BUYERS GUIDE

STREETBIKE DISC BUYERS GUIDE

Disc No.	F/R	Type	Dia. mm	Hub Color	Profile	Bobbins	Left Bracket	Right Bracket	Model	Year
MD842X MD842XC VR842BLK VR842BLU VR842RED VR842GLD Contd.									Tiger 1200 Explorer Xca Tiger 1200 Explorer XCx Tiger 1200 Explorer XRt Tiger 1200 Explorer XRx Tiger 1200 XC Tiger 1200 XCA Tiger 1200 CX Tiger 1200 XR Tiger 1200 XRT Tiger 1200 XRX Tiger Explorer 1200 Tiger Explorer XC 1200	2019-2021 2019-2021 2019-2021 2019-2021 2016-2018 2016-2018 2016-2018 2016-2018 2016-2018 2016-2018 2012-2015 2013-2015
MD843X MD843XC MD843XBLK VR843BLK VR843BLU VR843RED VR843GLD	Front Front Front Front Front Front Front	Floating Floating Floating Floating Floating Floating Floating	320 320 320 320 320 320 320	Gold Gold Black Black Blue Red Gold	Plain Contour Plain Vee Vee Vee Vee	6 6 6 6 6 6 6			DUCATI 848 all Models 899 Panigale Panigale 955 Bayliss 1ST Champion Panigale 955 V2 Streetfighter 955 V2 Panigale 959 Panigale 959 Corse Monster S4RS 998cc S4RS 998cc Tricolore Testastretta Monster 1100 S	2008-2015 2014-2015 2022-2023 2019-2023 2022-2023 2016-2019 2018-2019 2006-2008 2007-2008 2009-2010
MD844X MD844XC MD844X MD844XC	Front Front	Floating Floating	300 300	Gold Gold	Plain Contour	6 6			GAS-GAS PIERER MOB ES 700 HUSQVARNA 701 Enduro ABS KTM 690 Enduro R 990 Adventure 990 Adventure Dakar Edition	2022-2023 2019-2024 2014-2024 2007-2012 2011
MD845	Rear	Solid	240		Plain				APRILIA Dorsodura 750 Dorsodura Factory 750 Shiver 750 GT Shiver 750 RA000 Shiver 750 RAE00 Caponord 1200 Caponord Rally 1200 BMW G 650 Xmoto	2008-2016 2010-2013 2009-2012 2007-2010 2010-2016 2013-2016 2015-2020 2007-2009
MD846X	Front	Floating	296		Plain	6			MOTO GUZZI Quota EFI 1000	1992-1997
MD847	Front	Solid	280		Plain				ROYAL ENFIELD Bullet 350 EFI/Dual Seat/2 Pin pad Bullet 500 EFI/Dual Seat Bullet Electra X All disc models/Dual Seat Classic 500 Battle Green EFI/Single Seat Classic 500 Chrome EFI/Single Seat Classic 500 Desert Storm FI/Single Seat Classic 500 EFI/Single Seat Clubman 500 EFI Electra 500 EFI Fury 500 EFI Trials 500 EFI Woodman 500 EFI	2009-2015 2009-2015 2005-2015 2009-2015 2009-2015 2012-2015 2015-2021 2009-2012 2009-2014 2011-2012 2009-2012 2009-2012
MD848X MD848XC	Front Front	Floating Floating	300 300	Gold Gold	Plain Contour	6 6			KTM 990 Adventure 990 Adventure Dakar Edition	2007-2012 2011
MD849	Front	Solid	280		Plain				KTM 125 Duke 200 Duke	2011-2012 2012

STREETBIKE DISC BUYERS GUIDE

Disc No.	F/R	Type	Dia. mm	Hub Color	Profile	Bobbins	Left Bracket	Right Bracket	Model	Year
MD850	Rear	Solid	230		Plain	6			HUSQVARNA Svartpilen 125 Vitpilen 125 Svartpilen 401 Vitpilen 401 KTM 125 Duke 125 Duke 300 Front disc 125 Duke 320 Front disc RC 125 200 Duke RC 200 250 Duke 390 Adventure 390 Duke RC 390	2021-2024 2024 2018-2024 2018-2024 2011-2021 2017-2020 2021-2024 2014-2023 2012-2021 2014-2015 2015-2020 2019-2024 2013-2024 2014-2023
MD851 MD851C	Rear Rear	Solid Solid	220 220		Plain Contour				TRIUMPH HINCKLEY PRODUCED MACHINES Street Triple S 660 Daytona 675 Daytona 675 R Street Triple 675 Street Triple 675RX Street Triple R 675 Street Triple 765 R Street Triple 765 RS Speed Twin 1200cc Speed Twin 1200cc LC Thruxton 1200 Thruxton 1200RS Thruxton R 1200 Thruxton TFC 1200	2017-2020 2013-2017 2013-2017 2013-2016 2015-2016 2013-2020 2018-2024 2018-2024 2021-2024 2019-2020 2016-2020 2021-2024 2016-2022 2019-2020
MD852X MD852XC	Front Front	Floating Floating	310 310	Gold Gold	Plain Contour	6 6			TRIUMPH HINCKLEY PRODUCED MACHINES Street Triple S 660 Daytona 675 R Street Triple 675 Street Triple 675RX Street Triple R 675 Street Triple 765 R Street Triple 765 S Street Triple 765R Street Triple 765RS	2017-2020 2011-2012 2013-2016 2015-2016 2013-2020 2020-2024 2017-2020 2018-2019 2018-2024
MD853 VR853	Front Front	Solid Solid	270 270		Plain Vee				CAN AM Spyder F3 LTD Spyder F3 LTD Special Series Spyder F3 SE6/SM6 Spyder F3-S SE6/SM6 Spyder F3-S Special Series Spyder F3-T Spyder RS E Spyder RS-S SE Spyder RT Spyder RT LTD Spyder RT Sea to Sky Spyder RT-S Spyder RT-S Special Series Spyder ST Spyder ST LTD Spyder ST-S	2016-2024 2024 2015-2022 2015-2017 2016-2024 2016-2017 2013-2016 2013-2016 2013-2017 2013-2024 2024 2013-2015 2016-2021 2013-2016 2013-2015 2013-2016
MD854 VR854	Rear Rear	Solid Solid	270 270		Plain Vee				CAN AM Spyder F3 LTD Spyder F3 LTD Special Series Spyder F3 SE6/SM6 Spyder F3-S SE6/SM6 Spyder F3-S Special Series Spyder F3-T Spyder RS E Spyder RS-S SE Spyder RT Spyder RT LTD Spyder RT Sea to Sky Spyder RT-S	2016-2024 2024 2015-2022 2015-2017 2016-2024 2016-2017 2013-2016 2013-2016 2013-2017 2013-2024 2024 2013-2015

STREETBIKE DISC BUYERS GUIDE

Disc No.	F/R	Type	Dia. mm	Hub Color	Profile	Bobbins	Left Bracket	Right Bracket	Model	Year
MD854 VR854 Contd.									Spyder RT-S Special Series Spyder ST Spyder ST LTD Spyder ST-S	2016-2021 2013-2016 2013-2015 2013-2016
MD855X MD855XC	Front Front	Floating Floating	320 320	Gold Gold	Plain Contour	6 6			MZ/MUZ 1000 All Models	2003-2007
MD856X MD856XC VR856ORG	Front Front Front	Floating Floating Floating	320 320 320	Gold Gold Orange	Plain Contour Vee	6 6 6			KTM 690 Duke 890 Duke 890 Duke GP 890 Duke R 890 SMT 990 Duke	2013-2020 2020-2023 2022-2023 2020-2023 2024 2024
MD857 MD857C	Rear Rear	Solid Solid	240 240		Plain Contour				KTM 690 Duke	2013-2020
MD858 MD858C VR858	Rear Rear Rear	Solid Solid Solid	260 260 260		Plain Contour Vee				APRILIA NA 850 Mana	2008-2011
MD859	Front	Floating	320	Gold	Plain	5			MOTO GUZZI Brevia 850 ie Norge 850 Brevia 1100	2006-2007 2007 2005-2007
MD860	Rear	Solid	220		Plain				SACHS HERCULES X Road 125	2006-2007
MD861	Rear	Solid	220		Plain				CAGIVA Tamanaco 125 Elefant	1988-1989 1988-1990
MD862X	Front	Floating	320	Gold	Plain	6			BMW HP4 HP4 Carbon M 1000 XR S 1000 R/RR K1600 B Bagger K61 K1600 B Grand America K1600 GT K48 K1600 GTL K48 KTM 690 SM Supermoto 690 SMC MOTO GUZZI Audace 1400 Audace 1400 Carbon California 1400 Touring Eldorado 1400 MGX 21 1400	2013-2014 2013-2014 2024 2010-2018 2018-2023 2018-2023 2018-2023 2017-2023 2007-2009 2008-2010 2015-2016 2016-2017 2013-2021 2015-2017 2016-2021
MD863	Rear	Solid	282		Plain				TRIUMPH HINCKLEY PRODUCED MACHINES Tiger 1200 Explorer XC Tiger 1200 Explorer Xca Tiger 1200 Explorer XCx Tiger 1200 Explorer XRt Tiger 1200 Explorer XRx Tiger 1200 GT Tiger 1200 GT Explorer Tiger 1200 GT Pro Tiger 1200 Rally Pro Tiger 1200 Rally Pro Explorer Tiger 1200 XC Tiger 1200 XCA Tiger 1200 XCX Tiger 1200 XR Tiger 1200 XRT Tiger 1200 XRX Tiger Explorer 1200 Tiger Explorer XC 1200 Trophy 1215 Trophy 1215 SE	2019-2021 2019-2021 2019-2021 2019-2021 2019-2021 2021-2024 2021-2024 2021-2024 2021-2024 2021-2024 2016-2018 2016-2018 2016-2018 2016-2018 2016-2018 2016-2018 2012-2015 2013-2015 2012-2016 2012-2017

STREETBIKE DISC BUYERS GUIDE

Disc No.	F/R	Type	Dia. mm	Hub Color	Profile	Bobbins	Left Bracket	Right Bracket	Model	Year
MD864 MD864X MD864XC	Front Front Front	Solid Floating Floating	300 300 300	 Gold Gold	Plain Plain Contour	 6 6			KTM 125 Duke RC 125 200 Duke RC 200 250 Duke 390 Duke	 2013-2021 2014-2023 2013-2015 2014-2015 2015-2020 2013-2017
MD865X MD865XC	Front Front	Floating Floating	305 305	Gold Gold	Plain Contour	6 6			DUCATI Hypermotard 796 Hypermotard 1100 Hypermotard 1100 EVO Hypermotard 1100 EVO SP Hypermotard 1100 S	 2010-2013 2007-2009 2010-2012 2010-2012 2007-2009
MD868	Front	Solid	190		Plain				DUCATI Scrambler Café Racer Scrambler Classic Scrambler Desert Sled Scrambler Flat Track Pro Scrambler Full Throttle Scrambler Icon Scrambler Icon Dark Scrambler Mach 2 Scrambler Nightshift Scrambler Street Classic Scrambler Urban Enduro Scrambler Urban Motard	 2017-2021 2015-2020 2017-2023 2016 2015-2024 2015-2024 2015-2023 2018-2020 2020-2024 2018-2020 2015-2016 2021-2023
MD869	Front	Solid	270		Plain				GILERA Nordwest 600	 1990
MD870XC MD871	Front Rear	Floating Solid	320 260	Gold 	Contour Plain	6 			APRILIA Dorsodura 750 Dorsodura Factory 750 Shiver 750 RAE00 MOTO GUZZI Brevia 750 ie EE Nevada 750 Nevada 750 Classic ie Nevada 750 Club V7 750 Cafe Classic V7 750 Classic V7 Racer V9 Bobber All Models V9 Roamer	 2008-2016 2010-2013 2010-2016 2003-2011 2002-2011 2004-2011 1998-2001 2009-2012 2008-2012 2010-2011 2016-2024 2016-2021
MD872 MD872C VR872	Rear Rear Rear	Solid Solid Solid	256 256 256		Plain Contour Vee				APRILIA NA 850 Mana NA 850 Mana GT	 2008-2013 2009-2016
MD873 MD873X	Front Front	Solid Floating	310 310	 Black	Plain Plain	 6			TRIUMPH HINCKLEY PRODUCED MACHINES New Scrambler 900 Chrome Edition Scrambler 900cc Speed Twin 900cc Street Scrambler 900cc Street Twin 900cc Street Twin 900cc Bonneville Bobber 1200cc Bonneville Bobber Black 1200cc Bonneville Bobber Chrome Edition 1200cc Bonneville Speedmaster 1200cc Bonneville T120 1200cc Bonneville T120 Black DGR Limited Edition Bonneville T120 Black Gold Line 1200cc Bonneville T120 Black 1200cc Bonneville T120 Chrome Edition 1200cc Bonneville T120 Gold Line 1200cc Thruxton 1200	 2023 2021-2024 2022-2024 2016-2020 2016-2018 2019-2022 2017-2024 2018-2021 2023 2018-2024 2016-2024 2023 2023 2016-2023 2023 2023 2016-2020

STREETBIKE DISC BUYERS GUIDE

Disc No.	F/R	Type	Dia. mm	Hub Color	Profile	Bobbins	Left Bracket	Right Bracket	Model	Year
MD874	Rear	Solid	255		Plain				TRIUMPH HINCKLEY PRODUCED MACHINES Bonneville T100 900cc Bonneville T100 900cc Bonneville T100 Black 900cc Bonneville T100 Black 900cc New Scrambler 900 Chrome Edition Scrambler 900cc Speed Twin 900cc Street Cup 900cc Street Scrambler 900cc Street Twin 900cc Speed Triple R 1050cc Speed Triple RS 1050cc Speed Triple S 1050cc From Vin 867685 Speed Triple S 1050cc Vin 735438-867684 Bonneville Bobber 1200cc Bonneville Bobber Black 1200cc Bonneville Bobber Chrome Edition 1200cc Bonneville Speedmaster 1200cc Scrambler X 1200 Twin Scrambler XC 1200 Twin Scrambler XC 1200 Twin Gold Line Scrambler XE 1200 Twin Scrambler XE 1200 Twin Chrome Edition Scrambler XE 1200 Twin Gold Line	2016-2018 2019-2024 2016-2018 2019-2022 2023 2021-2024 2022-2024 2016-2020 2016-2020 2016-2022 2017-2021 2018-2021 2019-2021 2017-2018 2017-2024 2018-2021 2023 2018-2024 2024 2019-2023 2023 2019-2024 2023 2023
MD876	Front	Floating	270	Gold	Plain	6			MOTO GUZZI 1000 Le-Mans IV/V DE	1984-1993
MD877	Rear	Solid	240		Plain				ROYAL ENFIELD Continental GT 650	2017-2023
MD878 MD878C VR878	Rear Rear Rear	Solid Solid Solid	245 245 245		Plain Contour Vee				DUCATI Monster 796 Hypermotard 821 Hypermotard 821 SP Hyperstrada 821 848 Streetfighter Hypermotard 939 SP Hyperstrada 939 Monster 1100 All Streetfighter V4 1103cc Streetfighter V4 Lamborghini Streetfighter V4 S 1103cc Streetfighter V4 SP 1103cc Streetfighter V4 SP2 1103cc	2010-2014 2013-2016 2013-2016 2013-2016 2011-2015 2016-2020 2016-2017 2009-2013 2019-2024 2023 2019-2024 2021 2023-2024
MD879	Rear	Solid	265		Plain				DUCATI Multistada 1200 All Diavel 1262 Diesel Diavel Carbon Diavel R Diavel S Multistrada 1260 All X Diavel All	2015-2018 2017-2018 2011-2019 2011-2023 2020-2023 2018-2021 2016-2023
MD880 MD880C VR880	Rear Rear Rear	Solid Solid Solid	245 245 245		Plain Contour Vee				DUCATI Hypermotard 950 All Panigale 955 Bayliss 1ST Champion Panigale 955 V2 Panigale 955 V2 Bomber Streetfighter 955 V2 Panigale 959 Panigale 959 Corse Panigale V4 R 998cc Panigale V4 Superleggera 998cc Panigale V4 1103cc Panigale V4 S 1103cc Panigale V4 SP 1103cc Panigale V4 SP2 1103cc Monster 1200 Monster 1200 R Monster 1200 S Multistada 1200 S Pikes Peak Multistada 1200 S Sports Edition	2017-2024 2022-2023 2019-2023 2019-2021 2022-2023 2016-2019 2018-2019 2021-2024 2021-2023 2018-2024 2018-2024 2021 2023-2024 2014-2021 2016-2018 2014-2021 2011-2014 2010-2012

STREETBIKE DISC BUYERS GUIDE

Disc No.	F/R	Type	Dia. mm	Hub Color	Profile	Bobbins	Left Bracket	Right Bracket	Model	Year
MD880 MD880C VR880 Contd.									Multistada 1200 S Touring Edition Multistada 1200 Touring Panigale 1299 Panigale 1299 R Panigale 1299 R Final Edition Panigale 1299 S Panigale 1299 Superleggera Panigale 1299 V4 Corse/Speciale Panigale 1299 V4 R	2010-2014 2015-2017 2015-2018 2015-2017 2018 2015-2018 2017 2018-2020 2019-2020
MD881	Front	Solid	300		Plain				BMW G 310 GS G 310 GS Edition 40 G 310 R	2017-2024 2020-2021 2017-2024
MD882	Rear	Solid	240		Plain				BMW G 310 GS G 310 GS Edition 40 G 310 R	2017-2024 2020-2021 2017-2024
MD883X MD883XC	Front Front	Floating Floating	310 310	Gold Gold	Plain Contour	6 6			TRIUMPH HINCKLEY PRODUCED MACHINES Thruxton 1200RS Thruxton R 1200 Thruxton TFC 1200	2021-2024 2016-2022 2019-2020
MD884X MD884XC	Front Front	Floating Floating	320 320	Gold Gold	Plain Contour	6 6			MV Brutale 675 F3 675 F3 675 RC F3 675 Serie Oro Brutale 800 All Models Dragster 800 RC SCS All Models F3 800 All Models Rivale 800 Stradale 800 Super Veloce 800 SuperVeloce 800 Alpine SuperVeloce 800 S Turismo Veloce 800 All Models 1000 F4 1000 R 312 1+1 Brutale 1090 F4 1000 All Models F4 1078 100 CC Claudio Castiglioni F4 1078 RR 312	2012-2017 2012-2021 2015-2018 2012-2013 2012-2021 2017-2021 2013-2022 2014-2018 2015 2019-2022 2019-2022 2019-2022 2015-2021 2007-2008 2012-2015 2005-2009 2007-2008 2009
MD885 MD885C	Rear Rear	Solid Solid	220 220		Plain Contour				MV Brutale 675 F3 675 F3 675 Serie Oro F3 675 RC Brutale 800 All Models Brutale 800 Dragster Dragster 800 All Models F3 800 All Models Rivale 800 Stradale 800 Super Veloce 800 All Models Turismo Veloce 800 All Models	2012-2017 2012-2021 2012-2013 2015-2018 2012-2023 2014-2015 2015-2023 2014-2023 2014-2018 2015 2019-2023 2014-2023
MD886X	Front	Floating	310	Gold	Plain	6			TRIUMPH HINCKLEY PRODUCED MACHINES Bonneville T100 900cc Bonneville T100 Black 900cc Street Cup 900cc	2016-2024 2016-2022 2016-2020
MD887BLK VR887BLK	Rear Rear	Floating Floating	299 299	Black Black	Plain Vee	9 9			INDIAN Chief Classic Chief Dark Horse Chief Vintage Chieftain Chieftain Elite Chieftain Chieftain Limited Chieftain R Roadmaster R Roadmaster Roadmaster Classic Roadmaster Roadmaster Elite Springfield	2014-2017 2016-2020 2014-2021 2017-2022 2017-2021 2014-2021 2015-2022 2017-2018 2017-2022 2016-2022

STREETBIKE DISC BUYERS GUIDE

Disc No.	F/R	Type	Dia. mm	Hub Color	Profile	Bobbins	Left Bracket	Right Bracket	Model	Year
MD887BLK VR887BLK									Springfield Dark Horse Chieftain Chieftain Dark Horse Roadmaster Roadmaster Dark Horse VICTORY Broadwalk E Cross Country Cross Country 8-Ball Cross Country Cory Ness Victory Cross Country Touring Cross Roads Cross Roads 8-Ball Cross Roads Classic Hard Ball Magnum Magnum X-1 Vision 8-Ball Vision Low Vision Street Vision Tour - All models	2018-2022 2016-2022 2017-2022 2013-2014 2010-2016 2015-2016 2011-2011 2013-2016 2010-2011 2014-2014 2013-2013 2012-2013 2015-2017 2015-2017 2008-2009 2010-2010 2008-2015 2010-2011
MD890BLK VR890BLK	Front Front	Floating Floating	299 299	Black Black	Plain Vee	10 10			INDIAN Chief Classic Chief Dark Horse Chief Vintage Chieftain Chieftain Elite Chieftain Chieftain Limited Chieftain R Roadmaster R Roadmaster Roadmaster Classic Roadmaster Roadmaster Elite Springfield Springfield Dark Horse Chieftain Chieftain Dark Horse Roadmaster Roadmaster Dark Horse VICTORY King Pin 8-Ball King Pin Pin King Pin Tour Jackpot Jackpot Cory Ness Broadwalk E Cross Country Cross Country 8-Ball Cross Country Cory Ness Victory Cross Country Touring Cross Roads Cross Roads 8-Ball Cross Roads Classic Gunner Hammer Hammer 8-Ball Hammer S High Ball Judge Magnum Magnum X-1 Vision 8-Ball Vision Low Vision Street Vision Tour - All models	2014-2017 2016-2020 2014-2021 2017-2022 2017-2021 2014-2021 2015-2022 2017-2018 2017-2022 2016-2022 2018-2022 2016-2022 2017-2022 2008-2011 2008-2011 2008-2009 2011-2015 2008-2009 2013-2014 2010-2016 2015-2016 2011-2011 2013-2016 2010-2011 2014-2014 2013-2013 2015-2016 2008-2010 2010-2014 2008-2016 2012-2017 2013-2016 2015-2017 2015-2017 2008-2009 2010-2010 2008-2015 2010-2011
MD891	Front	Floating	300	Silver	Plain	9			MOTO GUZZI G5 V1000	1978-1983
MD893	Front	Solid	300		Plain				ROYAL ENFIELD Himalayan 410cc Scram 411 410cc	2016-2023 2022-2024
MD894 MD894C	Rear Rear	Solid Solid	240 240		Plain Contour				ROYAL ENFIELD Himalayan 410cc Scram 411 410cc Trials 500 EFI Woodsman 500 EFI Continental GT 650 Twin Interceptor 650 Twin	2016-2023 2022-2024 2009-2012 2009-2012 2018-2023 2018-2023

STREETBIKE DISC BUYERS GUIDE

Disc No.	F/R	Type	Dia. mm	Hub Color	Profile	Bobbins	Left Bracket	Right Bracket	Model	Year
MD894 MD894C Contd.									ShotGun 650 Twin Super Meteor 650 Twin	2024 2022-2024
MD896X	Front	Floating	320	Black	Plain	6			HUSQVARNA 901 Norden 901 Norden Expedition KTM 790 Adventure 790 Adventure R 790 Adventure R Rally 890 Adventure Inc L 890 Adventure R 890 Adventure R Rally 1050 Adventure 1090 Adventure 1190 Adventure 1290 Super Adventure R 1290 Super Adventure S 1290 Super Adventure T	2022-2024 2023-2024 2018-2024 2018-2021 2018-2021 2021-2023 2021-2024 2021-2024 2015-2016 2017-2020 2013-2016 2015-2024 2017-2024 2017-2021
MD898X MD898XC	Front Front	Floating Floating	320 320	Gold Gold	Plain Contour	6 6			ROYAL ENFIELD Continental GT 650 Twin Interceptor 650 Twin	2018-2023 2018-2023
MD899	Rear	Solid	245		Plain				DUCATI Monster 400 Scrambler 400 Sixty 2 Supersport 400 Supersport 400 Monster 600 Monster 600 City/City Dark Monster 600 Dark Supersport 600 Monster 620 Monster 620 IE Multistrada 620 Multistrada 620 Dark Sport 620 Monster 695 Monster 695 + 748 Biposta 748 SP 750 750 IE 750 Supersport E 750 Supersport IE Monster 750 Monster 750 City/City Dark Monster 750 E Monster 750 IE Monster 750 Monster Dark Monster 796 Monster 796 + Monster 800 Sport 800 Supersport 800 Scrambler All Models Monster 821 Dark Monster 821 R Monster 821 Stealth Monster 821 Stripe 851 Superbike Biposto 888 SP4/SP5 888 Superbike Strada 899 Panigale Monster 900 Monster 900 City/City Dark Monster 900 Cromo/Special Monster 900 IE Sport 900 Supersport 900 All Models 907 IE Monster S4 Monster S4 916 Foggy Rep ST4 916cc	1995-2008 2016-2021 1993-1997 1993-1997 1993-2001 1999 1998-1999 1991-1997 2005-2006 2002-2005 2006 2006 2003 2007-2014 2009-2012 1999-2002 1999-2002 1999-2002 2000-2002 1991-1998 1991-1998 2000-2001 1999 1996-1997 1996-2001 1999 2017-2021 2018-2020 2003-2004 2003 2003-2005 2015-2024 2015-2020 2015-2022 2021-2022 2015-2020 1989-1992 1992-1993 1994-1995 2014-2015 1993-1999 1999 1998 2000-2001 2002 1989-2001 1990-1993 2001-2002 2002 1999-2000

STREETBIKE DISC BUYERS GUIDE

Disc No.	F/R	Type	Dia. mm	Hub Color	Profile	Bobbins	Left Bracket	Right Bracket	Model	Year
MD899 Contd.									ST4 916cc Monster 30 Anniversario 937cc Monster Plus 937cc Monster R 937cc Monster SP 937cc Monster SP 937cc ST2 944 Monster 1000 ie 992cc Monster 1000 S ie 992cc Paul Smart 1000 LE 992cc ST3 992 ST3 S 992 Supersport 1000 DS 992cc ST4S 996cc GT 1000 GT 1000 Touring Monster 1000 Dark Sport 1000 S Sport Classic 1000 Monoposto - Japan/Biposto - Europe Scrambler 1100 All Models	2001-2002 2024 2021-2024 2021-2024 2023 2023-2024 1997-2003 2004-2005 2003-2005 2006 2004-2007 2006-2007 2003-2006 2001-2005 2007-2010 2009 2003 2007-2009 2006-2008 2018-2024
MD8001	Rear	Solid	275		Plain				BMW R1200 GS Adventure K51 R1200 GS K50 R1200 R K53 R1200 R Sport K53 R1200 RS K54 R1200 RS Sport K54 R1200 RT K52 R 1250 GS Adventure Edition 40 R 1250 GS Adventure K51 R 1250 GS Edition 40 R 1250 GS Exclusive TE K50 R 1250 GS K50 R 1250 GS Rallye K50 R 1250 GS Rallye TE K50 R 1250 GS TE K50 R 1250 R K53 R 1250 RS K54 R 1250 RT K52 R 1300 GS R 1300 GS Trophy	2014-2018 2013-2018 2014-2018 2015-2018 2015-2018 2015-2018 2014-2018 2020-2022 2019-2024 2020-2022 2019-2020 2019-2023 2019-2020 2019-2020 2019-2020 2019-2023 2019-2023 2019-2023 2019-2023 2023-2024 2023-2024
MD8002	Front	Solid	300		Plain				APRILIA RX 50 Racing SX 50 Senda DRD 50 Evo SM Terra 125 E3	2003-2006 2006-2010 2008-2011 2008-2010
MD8003X ABS sensor disc	Front	Floating	305	Gold	Plain	6			KTM 990 SM-R 990 SM-T	2010-2013 2009-2013
MD8004X	Front	Floating	330	Gold	Plain	6			APRILIA RSV4 1100 Factory RSV4 1100 RR Tuono 1100 V4 Factory Tuono 1100 V4 Factory 1100 Tuono 1100 V4 RR 1100	2019-2024 2019-2024 2017-2018 2019-2024 2017-2024
MD8005	Front	Solid	230		Plain				BOOM TRIKE Various Models	2010-2018
MD8006 MD8006C	Rear Rear	Solid Solid	265 265		Plain Contour				DUCATI Desert X 937 Desert X Rally 937 Multistrada 950 S Multistrada 950 V2 Multistrada 950 V2 S Multistrada V4 1158cc Multistrada V4 Pikes Peak 1158cc Multistrada V4 Rally 1158cc Multistrada V4 RS 1158cc Multistrada V4 S 1158cc Multistrada V4 S Grand Tour 1158cc	2021-2023 2024 2017-2022 2021-2024 2021-2024 2021-2024 2021-2022 2023-2024 2024 2021-2024 2024

STREETBIKE DISC BUYERS GUIDE

Disc No.	F/R	Type	Dia. mm	Hub Color	Profile	Bobbins	Left Bracket	Right Bracket	Model	Year
MD8006 MD8006C Contd.									Multistrada V4 Sport 1158cc Multistada 1200 Enduro Multistada 1200 Enduro Multistada 1200 Enduro Pro	2021-2022 2016 2017-2018 2018-2019
MD8007	Rear	Solid	260		Plain				INDIAN FTR 1200 R FTR 1200 Rally FTR 1200 S FTR 1200 S Race Replica	2019-2022 2019-2022 2019-2022 2019-2022
MD8009	Front	Solid	300		Plain				KTM 125 Duke 300 Front disc RC125 200 Duke RC 390	2017-2020 2017-2022 2017-2021 2014-2016
MD8010	Front	Solid	320		Plain				KTM 125 Duke 320 Front disc 390 Duke	2021-2024 2018-2024
MD8011X	Front	Floating	330	Gold	Plain	6			DUCATI Multistrada V4 1158cc Multistrada V4 Pikes Peak 1158cc Multistrada V4 Rally 1158cc Multistrada V4 RS 1158cc Multistrada V4 S 1158cc Multistrada V4 S Grand Tour 1158cc Multistrada V4 Sport 1158cc Monster 1200 Monster 1200 S Multistada 1200 Multistada 1200 S D air Multistada 1200 S D air DVT Multistada 1200 S DVT Multistada 1200 S Pikes Peak Multistada 1200 S Pikes Peak Multistada 1200 S Touring Multistrada 1260 Enduro Multistrada 1260 R Multistrada 1260 S D air Multistrada 1260 S Grand Tour Multistrada 1260 S Pikes Peak Multistrada 1260 S R Multistrada 1260 Touring	2021-2024 2021-2022 2023-2024 2024 2021-2024 2024 2021-2022 2014-2021 2014-2021 2015-2018 2015-2017 2015-2017 2015-2017 2011-2014 2016-2017 2015-2018 2018-2021 2018-2021 2018-2020 2019-2021 2018-2020 2018-2019 2018
MD8014X MD8014XC	Front Front	Floating Floating	320 320	Gold Gold	Plain Contour	6 6			TRIUMPH HINCKLEY PRODUCED MACHINES Tiger 850 Sport Tiger 900 Tiger 900 GT Tiger 900 GT Low Tiger 900 GT Pro Tiger 900 Rally Tiger 900 Rally Pro Speed Triple R 1050cc Speed Triple RS 1050cc Speed Triple S 1050cc From Vin 867685 Scrambler XC 1200 Twin Scrambler XC 1200 Twin Gold Line Scrambler XE 1200 Twin Chrome Edition Scrambler XE 1200 Twin Gold Line Speed Triple RR 1200cc Speed Triple RS 1200cc Speed Twin 1200cc Tiger 1200 GT Tiger 1200 GT Explorer Tiger 1200 GT Pro Tiger 1200 Rally Pro Tiger 1200 Rally Pro Explorer Rocket 3 GT Rocket 3 R	2021-2024 2020-2023 2024 2020-2023 2020-2024 2020-2023 2020-2024 2017-2021 2018-2021 2019-2021 2019-2023 2023 2023 2023 2021-2024 2021-2024 2021-2024 2021-2024 2021-2024 2021-2024 2019-2024 2019-2024
MD8015X	Front	Floating	320	Gold	Plain	6			TRIUMPH HINCKLEY PRODUCED MACHINES Rocket III Touring	2008-2017

STREETBIKE DISC BUYERS GUIDE

Disc No.	F/R	Type	Dia. mm	Hub Color	Profile	Bobbins	Left Bracket	Right Bracket	Model	Year
MD8016X	Front	Floating	310	Gold	Plain	5.5			TRIUMPH HINCKLEY PRODUCED MACHINES Street Triple 765 RS	2023-2024
MD8017X 6/7mm Finish-in waiting	Front	Floating	330	Gold	Plain	6			BMW M 1000 R M 1000 RR S 1000 RR / RR Sport K67	2023-2024 2021-2024 2021-2024
MD8018X MD8018XBLK	Front Front	Floating Floating	320 320	Polished Black	Plain Plain	6 6			HARLEY DAVIDSON® Touring RA 1250 S Pan America Adventure Special Touring FLHXSE CVO Street Glide 121 Touring FLTRXSE CVO Road Glide 121	2020-2024 2023-2024 2023-2024
MD8019	Rear	Solid	280		Plain				HARLEY DAVIDSON® Touring RA 1250 Pan America Adventure Touring RA 1250 S Pan America Adventure Special	2020-2024 2020-2024
MD8020	Front	Solid	320		Plain				HARLEY DAVIDSON® Touring RA 1250 Pan America Adventure	2020-2024
MD8022	Rear	Solid	265		Plain				BMW M 1000 XR S 1000 XR K69	2024 2019-2024
MD8024X	Front	Floating	320	Black	Plain	6			ZERO SR-S SR-F	2019-2022 2019-2022
MD8025	Rear	Solid	270		Plain				ROYAL ENFIELD Bullet 350 Classic Bullet 350 Meteor	2021-2024 2021-2024
MD8026	Front	Solid	300		Plain				ROYAL ENFIELD 350 Meteor Classic Reborn	2023-2024 2023-2024
MD8027	Front	Solid	320		Plain				ROYAL ENFIELD Shot Gun 650 Twin Super Meteor 650 Twin	2024 2022-2024
MD8028XBLK MD8028X	Front Front	Floating Floating	300 300	Black Gold	Plain Plain	6 6			KTM 790 Duke	2018-2023
MD8029X	Rear	Solid	260		Plain				KTM 790 Adventure R 890 Adventure R	2019-2020 2021-2024
MD8030	Front	Solid	320		Plain				HARLEY DAVIDSON® RH 1250 Sportster S	2021-2023
MD8031	Rear	Solid	260		Plain				HARLEY DAVIDSON® RH 1250 Sportster S	2021-2023
MD8033X	Rear	Solid	260		Plain				HARLEY DAVIDSON® RH 975 Nightster	2022-2024
MD901D VR901 With counter sunk bolt holes	F/R F/R	Solid Solid	190 190		Plain Vee				ATALA Hacker Hacker LC Hacker Racing BENELLI 491 50cc Naked 50 K2 100 Naked 100 K2 50 BETA ARK Eickon 50 Quadra 50 Tempo 50 GILERA Typhoon 50 Typhoon 50 All models	1997 1997 1997 1998-2004 2002-2003 1999-2001 2002 1998-2001 1996-2014 1999-2006 1997-2001 1998-2002 1996 1993-1995

STREETBIKE DISC BUYERS GUIDE

Disc No.	F/R	Type	Dia. mm	Hub Color	Profile	Bobbins	Left Bracket	Right Bracket	Model	Year
MD901D VR901 Contd.									GOVECS ELECTRIC SCOOTERS	
									GO S 2.4	2011-2014
									GO S 3.4	2011-2014
									GO T 2.4	2011-2014
									GO T 3.4	2011-2014
									GO S 1.2	2011-2014
									GO T 1.2	2011-2014
									GO S 1.4	2011-2014
									GO T 1.4	2013-2014
									MALAGUTI	
									Ciak 50 Twin Disc	2000-2003
									Crosser CR1	1995-1998
									Crosser CR1	1995-1998
									F12 Phantom	2000-2008
									F12 Phantom 50	1998
									F12 Phantom 50	1999-2003
									F15 50 Firefox	1996-1998
									F15 50 Firefox	1998-2000
									F15 Firefox	2001-2008
									Phantom F12	1994-1998
									Ciak 100	1999-2003
									Phantom 100 F12	1999-2003
									PEUGEOT	
									E-Ludix Electric	2021-2022
									Buxy M/Buxy RM 50	1994-1997
									Buxy M/Buxy RM 50	1994-1997
									Buxy M/Buxy RM 50	1994-1997
									Elyseo 50	1998-2002
									Elyseo 50	1998-2002
									Elyseo 50	1998-2002
									Elyseo 50	2003
									LooXoR 50 TSDI	2006
									Ludix 50 Pro	2011-2013
									Ludix 50 Pro	2011-2013
									Speedake 50	1995-2001
									Speedake 50	1995-2001
									Squab 50	1995-2001
									Squab 50	1995-2001
									SV Geo 50/80/125	1993
									SV Geo 50/80/125	1993
									Trekker 50	1998-2000
									Trekker 50	1998-2000
									TRK 2WRC 50	1999-2008
									TRK 2WRC 50	1999-2008
									TRK 50	2009-2012
									TRK 50 12	2009-2012
									Vivacity 50	1992-2007
									Vivacity 50 2	2008-2011
									LooXoR 100 All Models	2001-2004
									SV L 100	1978
Trekker 100	1998-2000									
Ludix Ambition 125	2004									
MD902D VR902	Front Front	Solid Solid	200 200		Plain Vee				MALAGUTI Centro SL/SL Cat 50	1994-2000
									PIAGGIO Quartz 50 Skipper 125/150	1992-1996 1994-1997
MD903D VR903	Front Front	Solid Solid	245 245		Plain Vee				MBK YP 250 Skyliner	1996-2002
									YAMAHA YP 250 Majesty	1996-2003
MD904D VR904	Front Front	Solid Solid	155 155		Plain Vee				ADLY NB 50 Noble SF 50 Silver Fox Road Tracer 50/90/100	2008-2010 2006-2009 2004-2006
									APRILIA Amico All models	1996-1998
									DAELIM DX 50 D Camper	2003
									M 50 D/MD Millenium	2003
									ST 90 Pro Monkey	2003

STREETBIKE DISC BUYERS GUIDE

Disc No.	F/R	Type	Dia. mm	Hub Color	Profile	Bobbins	Left Bracket	Right Bracket	Model	Year
MD904D VR904 Contd.									GARELLI Grinta Queenie GILERA Easy Moving 50 HYOSUNG 50 Newtee Up R JORDAN Easy 50/100 LEXMOTO Molly 50 DFE50QT-3 MALAGUTI Malbo Line - DVD MBK CR 50 Z Target CV 50 Evolis CW 50 Booster R Road CY 50 Forte/Forte Mufa YA 50 R Forte YE 50 Evolis YM 50 Fizz CV 80 Evolis MOTOROMA Go-Go 50 Road Runner 50/100 Scrambler 50 Stinger 50 MZ/MUZ Mosquito 50 FB Mosquito 50 SX JP OHVALE GP-0 110A1104S160 4S PEUGEOT V-Clic 50 Zenith LS 50 Zenith LS 50 PGO EPS Big Max 50 R My Bubu 50 Tornado 50/125 PIAGGIO Zip Elettrico Zip 50 50 Base Zip 50 RST Zip Fast Rider 50 SINNIS QM 50 QT-2T Falcon QM 50 QT-6A Jet 50 YAMAHA CR-Z 50 3WN CY 50 RS Jog R YA 50 R Axis 4PC YE 50 Zest YM 50 Breeze 4KH	1995 1995 1995-1996 2014-2015 2003-2004 2015-2018 2010-2011 1991-1995 1997 1994-1995 1996-1997 1994-1995 1992-1995 1994-1995 1997 1997-2005 2001-2002 2001 1999-2005 1997-2003 2000-2003 2019-2020 2008-2013 1996-1999 1996-1999 1997 1994-2006 2003 1997 2002 1995-1996 1996-1999 1993-1997 2008-2014 2008-2010 1991-1995 1996 1995-1996 1993-1995 1994-1995
MD905D	Front	Solid	175		Plain				PIAGGIO Hexagon 125/150	1994-1997
MD906D VR906	Front Front	Solid Solid	160 220		Plain Vee				HONDA SFX 50 SXR 50	1995-2004 1998-1999
MD907D VR907	Front Front	Solid Solid	220 220		Plain Vee				MBK YP 125 D Skyliner XN 125/150 Doodo YAMAHA XN 125 N Teos YP 125 Majesty	1998-2010 2000-2005 2000-2003 1998-2009
MD908D VR908	Front Front	Solid Solid	186 186		Plain Vee				HONDA CN 250 MF02 Fusion CN 250 Spazio & Helix	2003 1987-1998

STREETBIKE DISC BUYERS GUIDE

Disc No.	F/R	Type	Dia. mm	Hub Color	Profile	Bobbins	Left Bracket	Right Bracket	Model	Year
MD909D With counterbored holes	Rear	Solid	190		Plain				BETA Eikon 125/150 PEUGEOT Buxy M/Buxy RM 50 Speedake 50 Squab 50 SV Geo 50/80/125 Ludix Ambition 125	2000-2006 1994-1997 1995-2001 1995-2001 1991-1992 2004
MD910D VR910	F/R F/R	Solid Solid	200 200		Plain Vee				DERBI Atlantis 50 Boulevard 50 Boulevard 125 GILERA DNA 50 Ice 50cc 125 VX/180 VXR Runner LML Star 125 All models Star 125i All models Star Deluxe 125 Star 150 All models Star Deluxe 150 Star 151i All models Star 200i All models PIAGGIO Fly 50 Free 50 Free 50 Delivery Sfera 50 RST Zip 50 SP Fly 100 Free 100 Fly 125 Hexagon LX4 125 Sfera 125 Super Hexagon GTX 125/180 Zip 125 Fly 150 Hexagon 180 LX Hexagon 180 LXT Hexagon GT 250 Super Hexagon GTX 250 VESPA LX 50 Primavera 50 Primavera 50 Touring S50 S50 Sport Sprint 50 Sprint 50 S LX 60 Special Anniversary Model ET4 125 LX 125 LX 125 Serie Speciali Primavera 125 Primavera 125 Touring PX 125 PX 125 Touring S 125 S 125 Sport Sprint 125 S ET4 125/150 LX 150 LX 150 Serie Speciali Primavera 150 Primavera 150 Touring PX 150 PX 150 Touring S 150 S 150 Sport S 150 Sprint PX 200 ET2 50cc ET4 50cc	2007-2011 2009-2012 2008-2012 2001-2006 2001-2002 2001-2004 2010-2014 2010-2015 2001-2003 2010-2014 2001-2003 2010-2015 2010-2015 2005-2018 1995-2002 2000-2001 1995-1997 1996-2012 2007-2015 2002 2005-2011 1998-1999 1995-1997 2000 2000-2001 2005-2012 1998-1999 1998-1999 1998-1999 2000-2002 2005-2013 2013-2021 2015 2007-2013 2011-2013 2014-2020 2015 2006 1996-1999 2005-2013 2012 2013-2021 2015-2021 1998-2016 2015 2007-2013 2011-2013 2015-2021 1999-2005 2005-2013 2012 2013-2015 2015 1998-2015 2015 2007-2012 2011-2012 2015-2020 1998-2007 1997-2005 2000-2004

DISC BUYERS GUIDE

STREETBIKE DISC BUYERS GUIDE

Disc No.	F/R	Type	Dia. mm	Hub Color	Profile	Bobbins	Left Bracket	Right Bracket	Model	Year
MD911D VR911	Front Front	Solid Solid	180 180		Plain Vee				SUZUKI TR 50 SW/SX Street Magic UG 110 Hokuto/Address AN 125 AN 125 HKK5 UE 125 CTK1	1998-2000 1998-2002 1995-2000 2006-2008 2001-2003
MD912D	Front	Solid	161		Plain				SUZUKI AH 100 P Address CE12A	1995-1996
MD913D	Front	Solid	170		Plain				HONDA CH 250 F/G Spacy	1985-1986
MD914D	Front	Solid	155		Plain				PEUGEOT Zenith LS 50	1996-1999
MD915D VR915	Front Front	Solid Solid	155 155		Plain Vee				MALAGUTI F10 Jetline 50 F10 Jetline WAP F10 Tribal Yesterday	1991-2007 2006-2010 2008-2010 1998-2003
MD916D	Front	Solid	180		Plain				MBK CW 50 Booster CW 50 Booster RS CW 50 Booster RS NG CW 50 Booster RS Spirit CW 50 Booster RSX Track CW 50 Booster Spirit CW 50 Booster Spirit CW 50 Fizz 50 CW 50 Power Rocket CW 50 RSP Rocket R YAMAHA BWs BWs 50 1D11/2B71 BWs 50 2B7B/D/F/H BWs 50 5WW1 BWs 50 5WW1 BWs 50 R 5SX1 CW 50 5WW4/BWs CW 50 RS CW 50 RS 4YA4/BWs NG CW 50 RSP	2006-2010 2005-2006 1995-1998 1999-2006 1996-1998 1996-1998 2009 1993-1997 2006 1997-1998 1999-2002 2003-2004 2009-2015 2004 2005-2015 2001 2004-2007 1996-1997 1998 1997-1998
MD917D	Front	Solid	220		Plain				APRILIA Scarabeo 50 H2/HL	1993-1997
MD918D	Front	Solid	220		Plain				HONDA SH 50 T Fifty/Scoopy SH 100 Scoopy	1997-2003 1996-2001
MD920D VR920	Front Front	Solid Solid	220 220		Plain Vee				HONDA X8R-S SZX 50 Supersport Scooter	1998-2004
MD921D VR921	Rear Rear	Solid Solid	190 190		Plain Vee				HONDA X8R-S SZX 50 Supersport Scooter	1998-2004
MD922D VR922	F/R F/R	Solid Solid	240 240		Plain Vee				HONDA FES 125 Pantheon FES 125 S-Wing SH 125i FES 150 Pantheon FES 150 S-Wing SH 150i SH 150i Mode ADL SH 150i RA FES 250 Foresight FES 250 W/X Foresight NSS 250 Forza NSS 250 Forza EX NSS 250 Forza Z NSS 250 Forza Z NSS 250 Jazz MF04 NSS 250 Reflex MF06	1998-2006 2007-2015 2009-2024 1998-2006 2007-2013 2009-2012 2014-2021 2010-2014 2000-2005 1998-1999 2000-2004 2005-2008 2005-2013 2005-2006 2000-2004 2000-2004

STREETBIKE DISC BUYERS GUIDE

Disc No.	F/R	Type	Dia. mm	Hub Color	Profile	Bobbins	Left Bracket	Right Bracket	Model	Year
MD922D VR922 Contd.									PS 250 Big Ruckus	2005-2006
									PEUGEOT SV 250	2001-2002
MD923D VR923	F/R F/R	Solid Solid	190 190		Plain Vee				ADLY	
									SS 50 SS 50 Supersonic	2004-2005
									SS 100 Supersonic	2004-2005
									SS 125 B/D Supersonic	2004-2005
									BRANSON	
									BS 50 Cuba	2008
									BS 50 Sting	2008
									BM 125	2008
									BM 125 Retro	2008
									BULTACO	
									Astro SM 50	2002
									CAGIVA	
									City 50	1991-1994
									CPI	
									50 Hussar	2001-2005
									50 Mars	2001-2002
									Baby J 50	2002
									Oliver 50 All models	2003-2012
									Popcorn 50	2002-2006
									GENERIC / KSR	
									Cracker 50	2009-2018
									Ideo 50 50	2005-2014
									Roc 50	2008-2011
									Sirion 50	2012-2020
									XOR 50	2005-2014
									Sirion 125	2012-2018
									XOR 125	2005-2011
									HONDA	
									NCX 50 Dunk	2014-2017
									SJ 50 Bali	1993-1999
									SJ 100 Bali Ex	1996-1999
									SCV 110 Lead NHX 110-WH8	2008-2009
									MASH	
									Bibop 50	2014-2016
									Bibop Racing 50	2014-2016
									Sixty Five 125	2013-2015
									MBK	
									CW 50 Booster RS NG	2001-2006
									EW 50 Stunt	2000-2010
									YQ 50 Nitro	1997-2010
									YQ 100 Nitro	2001-2003
									MOTOROMA	
									Grand Prix 50/100	1999-2003
									Grand Prix 125	2002
									PGO	
									PMX 50	2000-2022
									T-Rex 50	1999-2012
PMX 110	2000-2022									
T-Rex 110	1999-2006									
Bubu 100/125	2003-2008									
Charge A/B 125	2001-2002									
Ligero 125	2006-2008									
T-Rex 125	1999-2007									
SINNIS										
LJ 50 QT-H	2012-2014									
WY 50 QT-39A Ghost	2006-2010									
SYM										
Fiddle Electric	2023-2024									
Fiddle 50 II	2008-2024									
Fiddle 50 III	2014-2021									
Orbit 50	2008-2009									
Symply 50	2007-2008									
Symply II 50	2017-2021									
Allo 125	2011-2015									
Fiddle 125 II	2008-2015									
Orbit ii/Symply 125	2009-2015									
Symply 125 II	2009-2014									
Symply 125 R	2007-2008									
TGB										
309 RS 50	2002-2003									
Akros Tec 50	2003-2004									

STREETBIKE DISC BUYERS GUIDE

Disc No.	F/R	Type	Dia. mm	Hub Color	Profile	Bobbins	Left Bracket	Right Bracket	Model	Year
MD923D VR923 Contd.									City 50 Delivery Scooter 50 Delivery/Express 50 High Wheel 50 Trigger 50 101R 50 202 Classic 50 303 Revolution 50/125 303R Hawk/Laser 50 F409 Cruise 50/125 YAMAHA Aerox 4 Aerox 50 All Models 2T BWs CW 50 5MS2/4G54R CW 50 RS EW 50 Slider NS 50 Aerox NS 50 N Aerox Naked YQ 50 Aerox/Aerox-R YN 100 Neos	2007-2011 2004-2006 2006-2012 2002-2003 2002-2003 2004-2009 2003-2014 2002-2003 2004-2014 2002-2005 2014-2020 1997-2016 1999-2007 2002 1999-2005 2000-2005 2013-2016 2013-2016 1997-2012 2000-2004
MD924D VR924	Front Front	Solid Solid	220 220		Plain Vee				APRILIA Sport City One 50 SR 50 Motard 2T SR 50 Motard 4T 4V Sport City One 125 SR 125 Motard BENELLI Adiva 125 Adiva 150 BETA Eikon 125/150 DERBI Variant Sport 50 Boulevard 125 Variant Sport 125 Boulevard 150 Boulevard 200 GILERA Runner 50 Runner/Purejet 50 DD/SP 125 VX/180 VXR Runner 125/180 FX/FXR Runner 125/180 FX/FXR/SP Runner VXR 200 Runner PIAGGIO NRG 50 DT MC3 NRG 50 Extreme NRG 50 MC3 DD Skipper 125/150 ST Skipper LX 125/150	2008-2011 2012-2015 2013-2018 2008-2011 2012-2015 2000 2000 2000-2006 2012 2003-2007 2012 2003-2007 2005 1998 1999-2005 2001-2004 1997-2002 1999-2002 2002-2004 2001-2005 1999-2001 2001-2005 2000-2004 1998-1999
MD925D MD925C VR925	F/R F/R F/R	Solid Solid Solid	180 180 180		Plain Contour Vee				LEXMOTO FMR 50 WY50QT-58R FMR 125 EFI WY125T-74R-E4 FMR 125 WY125T-74R Matador 125 ZS125T-40 PEUGEOT Elyseo 50 Elystar 50 Advantage Speedfight 1/2 50 Elyseo 100 Speedfight 100	2015-2018 2014-2018 2014-2018 2013-2017 2003 2002-2007 1997-2008 2003 1997-2007
MD926D	Rear	Solid	160		Plain				KYMCO Sniper 50 DD PR50BB Heroism 150 150 SE30AD	1994-1996 1995-1997
MD927D VR927	Rear Rear	Solid Solid	230 230		Plain Vee				MBK YP 250 Skyliner YAMAHA YP 250 Majesty DX/A	1998-1999 1998-1999

STREETBIKE DISC BUYERS GUIDE

Disc No.	F/R	Type	Dia. mm	Hub Color	Profile	Bobbins	Left Bracket	Right Bracket	Model	Year
MD928D	Front	Solid	220		Plain				MBK YH 50 Flipper YAMAHA YH 50 Why	1998-2010 1999-2009
MD929D VR929	Front Front	Solid Solid	260 260		Plain Vee				KAWASAKI SC 250 Epsilon SUZUKI AN 250 Burgman/Skywave AN 400 Burgman	2002 1998-2002 1999-2002
MD930D VR930	Rear Rear	Solid Solid	210 210		Plain Vee				KAWASAKI SC 250 Epsilon SUZUKI AN 250 Burgman/Skywave AN 400 Burgman	2002 1998-2002 1999-2002
MD931D VR931	Front Front	Solid Solid	190 190		Plain Vee				HONDA SGX 50 Sky/Sky Deluxe SRX 50 Joker/Shadow SRX 90 Shadow	1997-2003 1997-1999 1997-1999
MD932D VR932	F/R F/R	Solid Solid	175 175		Plain Vee				DERBI GP1 50 GP1 50 Open GILERA Runner 50 PJ/SP Runner/Purejet 50 DD/SP SKP 50 Stalker 50 PIAGGIO NRG 50 Extreme NRG 50 MC3 DD NRG 50 Power DD NRG 50 Power Pure Jet NRG 50 RST DT/DD MC2 NRG 50 Silver Bullet Zip 50 Zip 50 SP Zip 100 Zip 125	2001-2003 2006-2011 2006-2014 1999-2005 1999-2001 1997-2006 1999-2001 2001-2005 2005-2021 2004-2010 1998 2010 2000-2020 2013-2015 2006-2010 2002-2004
MD933D VR933	Front Front	Solid Solid	160 160		Plain Vee				KYMCO CX 50 Super PR50AC DJW 50 World PR50AD Heroism 50 SE10BA K12 Sport 50 SE10CA KB 50 SE10CA Sniper 50 DD PR50BB Sniper 50 PR50B KB 100 Manboy Heroism 125 SE25BA Heroism 150 150 SE30AD SYM E-Symmetry Electric E-Virid Deluxe E-Woo Electric Mio Electric City Hopper 50 Mio 50 Super Fancy 50 Cinderella 50/100 Mio 100 Attila 125 Megalo 125 Super Duke 125/150	1994-1997 1995-1997 1995-1997 1995-2000 1995-2000 1994-1996 1993 1997-2000 1995-1997 1995-1997 2012-2013 2012-2015 2011 2023-2024 1999-2002 2005-2024 1996-2006 1999-2000 2005-2015 1999-2000 2000-2007 1999-2002
MD934D	Front	Solid	220		Plain				KAWASAKI SC 150 A1 Epsilon SUZUKI UC 125 Epicuro	2002 1999-2002
MD935D	Front	Solid	155		Plain				APRILIA Sonic All models	1998-2008

STREETBIKE DISC BUYERS GUIDE

Disc No.	F/R	Type	Dia. mm	Hub Color	Profile	Bobbins	Left Bracket	Right Bracket	Model	Year
MD936D VR936	Front Front	Solid Solid	190		Plain Vee				APRILIA Area 51 Mk1 F69 Phantom 70cc	1998-2002 1998
MD937D	Front	Solid	180		Plain				SUZUKI AP 50	1996-2002
MD938D VR938	Front Front	Solid Solid	180 180		Plain Vee				SUZUKI AY 50 AY 50 Katana AY 50 Katana UF 50 Y Estilete UX 50 WX/WY Zillion	2001-2005 1997-2004 1999-2004 2000-2002 1999-2002
MD939D	Front	Solid	146		Plain				PGO Galaxy 50 SUZUKI AH 80 Address AH 100 Address	1994 1992-1994 1992-1994
MD940D VR940	Rear Rear	Solid Solid	190 190		Plain Vee				SUZUKI AY 50 AY 50 Katana	2001-2005 1999-2004
MD941D VR941	Front Front	Solid Solid	175 175		Plain Vee				ITALJET Dragster 50 LC Formula 50 Air Formula 50 LC Formula 125 Torpedo 125 Dragster 125/180 LC Dragster 250	1998-2012 1999-2003 1996-2003 1996-2003 2007-2008 1999-2012 2007-2009
MD942D VR942	F/R F/R	Solid Solid	220 220		Plain Vee				APRILIA Leonardo 125 Sport City 125 Sport City Cube 125 Leonardo 125/150 Leonardo 125/150 ST/SP Scarabeo 125-150 Scarabeo 125-150 GT Sport City 200 Sport City Cube 200 Leonardo 250 ST/SP Sport City 250 Cube Sport City 250 ie Leonardo 300 Sport City Cube 300 Sport City Cube 300 Blackline	2005-2006 2004-2008 2008-2012 1996-1998 1999-2004 1999-2003 2004-2006 2004-2008 2008-2009 2000-2004 2008-2009 2006-2008 2005-2006 2008-2012 2011
MD943D MD943C VR943	F/R F/R F/R	Solid Solid Solid	190 190 190		Plain Contour Vee				APRILIA Area 51 Mk1 Gulliver All models Habana 50/Habana Custom Mk1 Mojito Custom 50 Mk1 Mojito Custom 50 MkII Mojito Retro 50 Mk1 Rally 50 All models Rally All models Scarabeo 50 Classic PF0100 Scarabeo 50 Ditech SCA00 Scarabeo 50 PF0100 Scarabeo 50 PFG00/TH000 SR 50 SR 50 Ditech RLD 100 SR 50 H20 Ditech SR 50 R Factory SR 50 R SBK/SBK Alitalia Replica SR 50 Stealth/Racing SR 50 Street SR 50 WWW - LYH00	1998-2002 1995-1998 1999-2002 1999-2003 2004-2012 1999-2003 1996-2000 1995-2002 1998-1999 2002-2006 1998-1999 2000-2005 1993-1996 2002-2003 2000-2003 2004-2018 2010-2011 1997-1999 2003-2015 1997-2001

STREETBIKE DISC BUYERS GUIDE

Disc No.	F/R	Type	Dia. mm	Hub Color	Profile	Bobbins	Left Bracket	Right Bracket	Model	Year
MD943D MD943C VR943 Contd.									Habana 125 Custom Mojito 125 Custom Leonardo 125/150 SR 125/150 BENELLI 491 50cc GILERA SKP 50 Storm 50 KREIDLER Florett 2.1 RS 50cc/2T/A-C Florett City 50cc/2T/A-C MBK CS 50 Mach G LC YN 50 Ovetto YN 100 Ovetto PIAGGIO Diesis 50 NRG 50 NRG 50 RST DT/DD MC2 NTT 50 Diesis 100 YAMAHA Neo-s Electric Scooter CS 50 Jog R CS 50 Z Jog RR YN 50 Neos YN 50 Neos F YN 100 Neos	2000-2002 2003-2012 1996-2004 1999-2002 1999-2004 1998-2001 1994-1995 2014-2015 2014-2015 2002-2010 1998-2010 1999-2002 2001-2005 1994-1996 1996-1998 1995-1996 2001-2003 2023-2024 2002-2015 2003-2012 1997-2016 2009-2020 1999-2003
MD944D VR944	F/R F/R	Solid Solid	240 240		Plain Vee				DERBI GP1 125 Scooter GP1 250 Scooter GILERA DNA 50 125/180 FX/FXR/SP Runner DNA 125/180	2006 2006-2007 2001-2006 1999-2002 2001-2003
MD945D VR945	Front Front	Solid Solid	220 220		Plain Vee				APRILIA Scarabeo 50 Scarabeo 50 Ditech SCA00 Scarabeo 50 PF0100 Scarabeo 50 PFG00/TH000 Scarabeo 50 Street TH00/THE00 Scarabeo 50 TG000 Scarabeo 50 TGA00/TGB00 Scarabeo 100 Minarelli Engine - REA0 Scarabeo 100 SA000/VA000 Scarabeo 100 Yamaha Engine - RE00 SCARABEO 50 /Street 100 50 /4V 50 Net /4V 50 YourZ /4V	2014-2017 2002-2006 1998-1999 2000-2005 2005-2009 2002-2006 2006-2009 2000 2001-2009 2000 2010-2015 2010-2015 2010-2015 2010-2011 2010-2011
MD946D	Front	Solid	200		Plain				MALAGUTI Ciak F12 Phantom F12 Phantom 50 F15 Firefox Phantom 100 F12 F18 Warrior 125/150	2000-2005 2000-2008 1999-2003 1999-2008 1999-2003 2000-2003
MD947D VR947	Front Front	Solid Solid	226 226		Plain Vee				PEUGEOT Elystar 50 Advantage Elystar 50 TSDi Elyseo 100 Elyseo 125/150	2002-2007 2002-2007 1998-2003 1998-2001
MD948D	Rear	Solid	190		Plain				ITALJET Dragster 50 LC	1998-2012

DISC
BUYERS GUIDE

STREETBIKE DISC BUYERS GUIDE

Disc No.	F/R	Type	Dia. mm	Hub Color	Profile	Bobbins	Left Bracket	Right Bracket	Model	Year
MD949D	Rear	Solid	240		Plain				ITALJET Dragster 125/180 LC Dragster 250	2000-2012 2007-2009
MD950D	Rear	Solid	175		Plain				ITALJET Formula 50 LC Formula 125	1996-2003 1996-2003
MD951D	Front	Solid	220		Plain				ITALJET Torpedo 50 All models Torpedo 125 Pro	1998-2003 1999-2009
MD952D VR952	Front Front	Solid Solid	260 260		Plain Vee				APRILIA Scarabeo 125 Sport City 125 Sport City Cube 125 Scarabeo 125-150 Scarabeo 125-150 GT Scarabeo 200 Sport City 200 Sport City Cube 200 Scarabeo 250 Scarabeo 250 ie Sport City 250 Cube Sport City 250 ie Scarabeo 300 S Sport City Cube 300 Sport City Cube 300 Blackline Scarabeo 400 ie Atlantic 500 Scarabeo 500 Scarabeo 500 ie Scarabeo 500 Light DERBI Boulevard 125 Rambla 125 R Rambla 250 i Rambla 300 i SCARABEO 300S ie 500ie	2007-2010 2004-2008 2008-2012 1999-2003 2004-2006 2007-2009 2004-2008 2008-2009 2006 2007-2010 2008-2009 2006-2008 2009-2010 2008-2012 2011 2007-2008 2002-2004 2003-2006 2007-2009 2006 2007 2008-2012 2008-2009 2010-2012 2009-2012 2010-2012
MD953D VR953	Rear Rear	Solid Solid	230 230		Plain Vee				ITALJET Jupiter 125/150 Jupiter 250 MBK YP 250 Skyliner YAMAHA YP 250 Majesty	2002 2002-2003 2000-2002 2000-2003
MD954D VR954	Front Front	Solid Solid	226 226		Plain Vee				PEUGEOT LooXoR 50 LooXoR 50 TSDI LooXoR 100 All Models LooXoR 125/150	2001-2006 2006 2001-2004 2003-2006
MD955D	Front	Solid	230		Plain				MALAGUTI Ciak 50 Ciak 50 Master Ciak 50 Twin Disc Ciak 100 Ciak 125/150 Ciak 200	2000-2004 2004-2008 2000-2003 1999-2003 2001-2008 2006-2008
MD956D VR956	F/R F/R	Solid Solid	220 220		Plain Vee				BENELLI Pepe 50 Pepe 50 Classic Pepe 50 LX DERBI GP1 50 Open GP1 125 Racing GP1 250 icc Racing GILERA Runner 50 PJ/SP VX 125 Runner/ST	1999-2016 2007-2014 2003-2009 2006-2011 2007-2009 2007-2009 2006-2014 2005-2014

STREETBIKE DISC BUYERS GUIDE

Disc No.	F/R	Type	Dia. mm	Hub Color	Profile	Bobbins	Left Bracket	Right Bracket	Model	Year
MD956D VR956 Contd.									VX 200 Runner VXR 200 Runner PIAGGIO Liberty Elettrico Liberty 50 Liberty 50 S NRG 50 Power DD NRG 50 Power DT NRG 50 Power Pure Jet NRG 50 Silver Bullet Fly 125 - 3V Liberty 125 Liberty 125 S Liberty MyMoover 125 New Fly 125ie 3V Super Hexagon GTX 125/180 Liberty 150 Liberty 200 Liberty 200 S VESPA LXV 50 GT 60 Special Anniversary Model - GTV 250 GT 125 Granturismo GTS 125 GTS 125 Super ie GTS 125 Supersport ie GTV 125 LXV 125 GT 200 Granturismo GTS 250 ie GTS 300 HPE IE GTS 300 ie GTS 300 ie Super GTS 300 ie Super Sport GTS 300 ie Touring GTS 300 Super ie GTV 300 GTV 300 Sei Giorni IE E4	2005-2011 2002-2004 2011-2012 1997-2008 2007-2008 2005-2021 2005-2013 2004-2010 2010 2012-2015 1998-2008 2007-2008 2021 2012-2013 2001-2003 2008 1998-2007 2007-2008 2007-2009 2006 2003-2006 2007-2011 2010-2021 2013-2021 2007-2009 2007-2012 2003-2006 2005-2011 2020-2021 2008-2020 2008-2015 2008-2018 2011-2021 2008-2021 2010-2013 2020-2021
MD957D VR957	Front Front	Solid Solid	245 245		Plain Vee				MBK XQ 125/150 Thunder YAMAHA XQ 125/150 N Maxster	2001-2003 2001-2003
MD958D VR958	Rear Rear	Solid Solid	220 220		Plain Vee				MBK XQ 125/150 Thunder YAMAHA XQ 125/150 N Maxster	2001-2003 2001-2003
MD959D VR959	F/R F/R	Solid Solid	240 240		Plain Vee				PIAGGIO Liberty 50 X10 125 4V//EFI/All Models X9 125 X9 125 Evolution X9 Amalfi 180 X9 200 X9 200 Evolution X9 250ie Beverly 400ie Tourer Xevo 400ie	2009-2014 2012-2015 2000-2002 2003-2007 2000-2003 2002-2003 2003-2004 2000-2006 2008-2009 2007-2010
MD960D VR960	F/R F/R	Solid Solid	240 240		Plain Vee				APRILIA SR 125 Max SR 300 Max GILERA Nexus 125 Nexus 250 ie Nexus 300i Fuoco 500 LT 4V/ Fuoco 500 RC/ie Nexus 500 Nexus 500 SP PIAGGIO MP3 125 MP3 125	2011-2015 2011-2015 2007-2012 2007 2008-2012 2013-2015 2007-2013 2003-2012 2006-2007 2006-2008 2009-2012

STREETBIKE DISC BUYERS GUIDE

Disc No.	F/R	Type	Dia. mm	Hub Color	Profile	Bobbins	Left Bracket	Right Bracket	Model	Year
MD960D VR960 Contd.									MP3 125ie	2008-2011
									MP3 Yourban 125ie	2011-2012
									Super Hexagon GTX 125/180	2001-2003
									X7 125	2008-2009
									X7 Evo 125 ie EFI	2009-2012
									X8 125	2004-2007
									Xevo 125	2007-2016
									X8 200	2004-2005
									MP3 250 EFI	2006-2008
									MP3 250 LT ie	2009
									MP3 250 MIC/EFI	2008-2009
									X7 250ie	2008-2009
									X8 250ie	2005-2007
									X9 250ie	2004
									Xevo 250ie	2007-2010
									MP3 300 HPE	2022-2023
									MP3 Business LT 300ie	2013-2018
									MP3 Hybrid 300ie	2011-2015
									MP3 Hybrid 300ie LT	2011-2012
									MP3 LT 300ie	2010
									MP3 Sport 300ie LT	2013-2018
									MP3 Touring 300ie	2011-2012
									MP3 Touring 300ie LT	2011-2012
									MP3 Yourban 300 LT RL	2017-2018
									MP3 Yourban 300ie	2011-2016
									MP3 Yourban Sport 300ie	2011-2016
									X7 Evo 300ie	2010-2012
									MP3 Maxi Sport-Business 350 E4	2018-2019
									Beverly 400ie	2007
									MP3 400 HPE RST	2022-2023
									MP3 400ie	2007-2010
									MP3 400ie LT	2009-2010
									MP3 400ie Touring	2011-2012
									MP3 400ie Touring LT	2011-2012
									X8 400ie	2006-2008
									Xevo 400ie	2007-2010
									Beverly 500	2002-2006
									Beverly 500ie	2012
									Beverly 500ie Cruiser	2007-2011
									MP3 500 EFI	2009-2010
									MP3 500 LT Business	2011-2020
									MP3 500 LT Sport	2011-2020
									MP3 500 Sport Advanced E5	2021-2022
									MP3 500ie Touring Business	2011-2012
									MP3 500ie Touring Sport	2011-2012
									X9 500 Evolution	2003-2006
									X9 500 SL	2000-2002
									X9 500ie	2007
									MP3 530 HPE Exclusive RST	2022-2023
									SCARABEO	
									125 Net	2010-2011
									125ie	2010-2015
								200 Net	2010-2011	
								200ie	2010-2015	
MD961D VR961	F/R F/R	Solid Solid	260 260		Plain Vee				GILERA	
									Nexus 250 ie	2007
									PIAGGIO	
									Beverly 125	2007
									Beverly 125 S	2007
									Beverly 125 Tourer	2008-2009
									Carnaby 125	2007-2009
									X8 125	2007
									X8 Street 125	2006-2007
									X8 Street 150	2006-2008
									Beverly B 125/200	2002-2006
									Carnaby 200	2007-2009
									Beverly 250	2004-2007
									Beverly 250 Cruiser ie	2007-2008
									Beverly 250 ie	2006-2007
									Beverly 250 S ie	2007
									Beverly 250 Tourer ie	2008-2009
									Carnaby 250 ie	2008-2009
									X8 250ie	2007
									Carnaby 300ie	2012

STREETBIKE DISC BUYERS GUIDE

Disc No.	F/R	Type	Dia. mm	Hub Color	Profile	Bobbins	Left Bracket	Right Bracket	Model	Year
MD961D VR961 Contd.									Carnaby Cruiser 300 Beverly 400ie Beverly 400ie Tourer X8 400ie Beverly 500 Beverly 500ie Beverly 500ie Cruiser X9 500 SL X9 500ie	2008-2011 2007 2008-2009 2006-2008 2002-2006 2012 2007-2011 2000-2002 2007
MD962D VR962	Rear Rear	Solid Solid	190 190		Plain Vee				MBK YP 125 D Skyliner YAMAHA YP 125 Majesty YP 125 Majesty	2001-2010 2001-2006 2004-2009
MD963D	Front	Solid	220		Plain				YAMAHA T 105 E Crypton-R T 105 SE Crypton SER3 V 110 Sporty AT 115 Neo Brasil AT 115 Neo CVT Brasil T135 HC/S 2S61 Crypton X/Jupiter MX 135 T135 HC/S 2S61 Spark 135/Exciter/135LC Sniper T135 SE 1S71 Crypton X/Jupiter MX Auto clutch T135 SE 1S71 Spark Exciter/LC Sniper Auto clutch	1999 2002 1996 2005-2007 2008 2006-2008 2006-2008 2006-2008 2006-2008
MD964D	F/R	Solid	190		Plain				DERBI Atlantis 50 Atlantis 50 Bullet Atlantis 50 City Atlantis 50 LC Atlantis 50 Red Bullet Atlantis 50 Two Chic Hunter Paddock 50 Predator 50 Red Bullet 50 Atlantis 100 HUSQVARNA WRS 50 Scooter	1999-2007 2003-2005 2003-2006 1999-2001 2003 2005 1996-1999 1998-1999 1998-2003 2004-2005 2000-2001 1998-2000
MD965D	Front	Solid	155		Plain				YAMAHA CV 50 Jog 5KN1/2 Coolstyle CV 50 Jog 5SU2/1/SA/EJ CV 50 ZR Evolution 5PT1	2000-2002 2003-2008 2001-2002
MD966D VR966	F/R F/R	Solid Solid	220 220		Plain Vee				BENELLI Velvet 125 Velvet 125 Touring Velvet 150 Velvet 150 Touring Velvet 250 MALAGUTI R 125 Madison Madison T 125/150/180 Madison S 200 Phantom Max 125/200 Madison S 250 Phantom Max 250 RS 250 Madison	1999-2007 2008-2012 1999-2007 2008-2012 1999-2012 2003-2007 1999-2003 2004 2004-2008 1999-2003 2004-2008 2004-2007
MD967D	F/R	Solid	240		Plain				MALAGUTI Madison S 250 Madison K 400	1999-2003 2002-2006
MD968D VR968	F/R F/R	Solid Solid	220 220		Plain Vee				BMW C1 125 C1 200	1999-2003 2001-2003
MD969D	Front	Solid	270		Plain				MALAGUTI Madison K 400 Spider Max GT 500 Spider Max RS 500	2002-2006 2004-2010 2004-2011

STREETBIKE DISC BUYERS GUIDE

Disc No.	F/R	Type	Dia. mm	Hub Color	Profile	Bobbins	Left Bracket	Right Bracket	Model	Year
MD970D VR970	Front Front	Solid Solid	220 220		Plain Vee				HONDA NES 125 Scooter PES 125 PS SES 125 Dylan SH 125 1/3 SH 125i NES 150 Scooter PES 150 PS150 SES 150 Dylan SH 150 1/3 SH 150i SH 150i S7/S8	2000-2006 2006-2009 2002-2007 2001-2003 2004-2008 2001-2006 2006-2011 2002-2006 2001-2003 2004-2008 2007-2008
MD971D VR971	F/R F/R	Solid Solid	180 180		Plain Vee				GENERIC / KSR GT Race Explorer 50 KYMC0 Cobra Racer SF10AG Agility 50 Agility 50 Agility 50 City+ Agility 50 R10 CV 50 QT S Agility 50 R12 CK 50 QT S Agility 50 RS Cobra 50 Cross Dink/Spacer/Yager 50 SH10 Super 9 50 SH10DA Top Boy 50 SF10GG On Road & Off Road Vitality 50 Vitality 50 SF10FA Yager 50 Yup 50 ZX 50 Super Fever/Scout SC10AS - ZX12 Agility 125 Dink Classic 125/150 SH25BB/30B Dink LX 125/150 SH25BA/30B Spike 125 R Yager 125 R SINNIS WY 125 T-56A Nitro 125	2009 2000-2006 2005-2008 2021-2023 2018-2020 2006-2014 2006-2021 2010-2015 2000-2006 1998-2010 2000-2007 1997-2006 2004-2009 2004-2009 2007 2002-2009 1999-2006 2006-2014 1997-2004 1998-2000 2004-2006 2000 2009-2010
MD972D	Front	Solid	200		Plain				KYMC0 Agility 50 RS Movie 125 SL25AA Super 8 150 X Vivio 125/150 SL25BA/30AC	2009-2017 1999-2000 2019-2021 2000-2003
MD973D VR973	Front Front	Solid Solid	220 220		Plain Vee				KYMC0 Dink Classic Euro 2 Bet & Win/Dink Sports 50 Grand Dink 50 Bet & Win 125/150 SH25CA/30C Dink Classic 125/150 SH25BB/30B Grand Dink/Miler 125/150 S40000-00 Movie XL 125/150 S510/500 Bet & Win 250 S7000 Grand Dink 250 S 400 Yup 250 W2000 Grand Dink 300i	2003 2002-2006 2004-2015 2000-2006 2002 2001-2007 2001-2009 2000-2006 2001-2006 2003-2006 2012-2020
MD974D VR974	Rear Rear	Solid Solid	200 200		Plain Vee				KYMC0 Bet & Win 125/150 SH25CA/30C Dink 125i T90000 Yager 125 GT Grand Dink/Miler 125/150 S40000-00 Dink 200i T91000 Yager 200i R Bet & Win 250 S7000 Grand Dink 250 S 400 Yup 250 W2000	2000-2006 2006-2015 2007-2013 2001-2007 2006-2015 2007-2013 2000-2006 2001-2006 2003-2006
MD975D VR975	Rear Rear	Solid Solid	220 220		Plain Vee				SUZUKI UH 125 Burgman	2002-2006
MD976D VR976	Front Front	Solid Solid	220 220		Plain Vee				SUZUKI UH 125 Burgman	2002-2006

STREETBIKE DISC BUYERS GUIDE

Disc No.	F/R	Type	Dia. mm	Hub Color	Profile	Bobbins	Left Bracket	Right Bracket	Model	Year
MD977D	Front	Solid	226		Plain				PEUGEOT Elyseo 125/150	2002-2005
MD978D VR978	Rear Rear	Solid Solid	210 210		Plain Vee				PEUGEOT Elystar 50 TSDi Elyseo 125/150 Jet Force 125 All Models Satelis 125 4V Executive/Premium/City Satelis 125 Avenue Satelis 125 Blacksat Satelis 125 Compressor Satelis 125 RS Satelis 125 Urban Satelis 125 Whitesat	2002-2007 2002-2007 2003-2007 2006-2009 2008-2009 2010-2011 2006-2011 2007-2013 2007-2011 2010-2011
MD979D	Front	Solid	245		Plain				YAMAHA YP 125 Majesty FA SCA9 Taiwan Prod	2002
MD980D	Front	Solid	226		Plain				PEUGEOT Elyseo 125/150 Jet Force 125 All Models	2006-2007 2003-2007
MD981D VR981	Front Front	Solid Solid	210 210		Plain Vee				KYMCO Super 9 Super 9 50 SH10DA	2000-2007 2000-2007
MD982D	Rear	Solid	165		Plain				ADLY GK 125 Buggie 150 Crusader Grand Prix 125	2003-2007 2006 2002
MD983D VR983	F/R F/R	Solid Solid	260 260		Plain Vee				APRILIA SR 125 Max SR 300 Max GILERA Coguar 125 Nexus 125 Nexus 300i Nexus 500 Nexus 500 SP PIAGGIO X7 125 X7 Evo 125 ie EFI X8 125 Xevo 125 X8 200 X7 250ie X8 250ie X9 250ie Xevo 250ie X7 Evo 300ie X9 500 Evolution	2011-2015 2011-2015 1999-2002 2007-2012 2008-2012 2003-2012 2006-2007 2008-2009 2009-2012 2004-2006 2007-2016 2004-2005 2008-2009 2005-2006 2004 2007-2010 2010-2012 2003-2006
MD984D VR984	Rear Rear	Solid Solid	190 190		Plain Vee				PEUGEOT Jet C-Tech 50 Jet Darkside 50 Jet Force/Jet-C 50 All Models Jet Iceblade 50 Metal-X 50 All Models	2011-2012 2011-2013 2003-2010 2011-2013 2004-2006
MD985D VR985	Front Front	Solid Solid	226 226		Plain Vee				PEUGEOT Jet C-Tech 50 Jet Darkside 50 Jet Force/Jet-C 50 All Models Jet Iceblade 50	2011-2012 2011-2013 2003-2010 2011-2013
MD986D VR986	Front Front	Solid Solid	220 220		Plain Vee				MBK NXC 125 Flame X YW 125 Z X-Over YAMAHA XC 125 Cygnus X 5 ML YW 125 BWs 125/1CE1	2004-2006 2010 2004-2007 2010-2013
MD987D VR987	Front Front	Solid Solid	260 260		Plain Vee				SUZUKI AN 650 K3 Burgman	2003

STREETBIKE DISC BUYERS GUIDE

Disc No.	F/R	Type	Dia. mm	Hub Color	Profile	Bobbins	Left Bracket	Right Bracket	Model	Year
MD988D VR988	Rear Rear	Solid Solid	250 250		Plain Vee				SUZUKI AN 650 Burgman AN 650 Burgman Executive AN 650 Burgman/Skywave AN 650 K3 Burgman	2013-2016 2013-2018 2004-2012 2003
MD989D	Front	Solid	226		Plain				KYMCO Looker 50 BA10AD JP People 50 BA10AD Looker 125 S BA25BA JP People 125 B20000/10/11 People 150 B200001/20	2007-2008 1999-2011 2007-2008 1999-2014 1999-2004
MD990D VR990	Rear Rear	Solid Solid	220 220		Plain Vee				APRILIA Scarabeo 50 Classic PF0100 Leonardo 125 Leonardo 250 ST/SP Leonardo 300 Atlantic Sprint 400 Atlantic 500 Atlantic Sprint 500 Scarabeo 500	1998-1999 2005-2006 2000-2004 2005-2006 2005-2008 2002-2004 2005-2008 2003-2006
MD991D	Front	Solid	190		Plain				DERBI Atlantis 50 Predator 50 Atlantis 100 GP1 50	2004-2006 1998-2003 2004-2006 2001-2003
MD992D VR992	Front Front	Solid Solid	155 155		Plain Vee				PEUGEOT Ludix 50 Acid Ludix 50 Bullet Ludix 50 Red Zone Ludix 50 Snake Ludix 50 Trend Ludix 50 Urban Track	2006 2004 2006 2004-2009 2004-2007 2006-2007
MD993D	Front	Solid	190		Plain				PEUGEOT Ludix 50 Elegance	2004-2009
MD994D VR994	Front Front	Solid Solid	260 260		Plain Vee				SUZUKI AN 250 8 Skywave SS AN 250 Burgman CJ43A AN 250 Skywave Type M BA-CJ45A AN 400 Burgman AN 400 Burgman K3 AN 400 Burgman/Skywave AN 650 Burgman/Skywave AN 650 Burgman/Skywave	2008 2003-2006 2007-2008 2023-2024 2003-2006 2007-2022 2004-2011 2004-2012
MD995D VR995	Front Front	Solid Solid	270 270		Plain Vee				MBK VP 300 R Kilibre VECTRIX VX-1 Li/NiMh YAMAHA VP 300 Versity VP 300 Versity	2003-2004 2007-2014 2003-2005 2006
MD996D VR996	Rear Rear	Solid Solid	190 190		Plain Vee				APRILIA SR 50 R Factory SR 50 Street Atlantic 125 Atlantic 200 Atlantic 250 Atlantic 250 ie Atlantic 300	2004-2018 2003-2015 2003-2010 2003-2005 2003-2005 2006-2008 2010-2011
MD997D VR997	Front Front	Solid Solid	240 240		Plain Vee				APRILIA Atlantic 125 Atlantic 200 Atlantic 250 Atlantic 250 ie Atlantic 300 BENELLI Velvet 250	2003-2010 2003-2005 2003-2005 2006-2008 2010-2011 1999-2012

STREETBIKE DISC BUYERS GUIDE

Disc No.	F/R	Type	Dia. mm	Hub Color	Profile	Bobbins	Left Bracket	Right Bracket	Model	Year
MD998D VR998	Rear Rear	Solid Solid	250 250		Plain Vee				SUZUKI AN 650 Burgman AN 650 Burgman Executive AN 650 Burgman/Skywave	2013-2016 2013-2018 2004-2012
MD999D	Front	Solid	250		Plain				ITALJET Jupiter 125/150 Jupiter 250	2002 2002-2003
MD9100D VR9100	F/R F/R	Solid Solid	260 260		Plain Vee				KYMCO Agility 50 FAT Agility 50 R16 People S 50 People S 50 B91000 Agility 125 Agility 125 City Agility 125 City+ Agility 125 R 16 + People GT 125i People One 125i People One 125i CBS People S 125 People S 125 BA25BA People S 125 DD D1000 Agility 150 R16 R16 C30000 Agility 200i R 16 People GT 200i People S 200 D11000 People S 200i DD D12000 People 250 BC50AA People 250 Si DD People S 300i Euro 4 People S 300i R	2019-2021 2008-2021 2005-2015 2006-2021 2008-2015 2018-2023 2018-2024 2018-2021 2010-2020 2013-2021 2021-2022 2018-2021 2005-2006 2007-2018 2008-2012 2010-2021 2010-2015 2005-2006 2007-2015 2003-2006 2007-2008 2019-2021 2008-2010
MD9101D	Front	Solid	220		Plain				BENELLI Adiva 125 Velvet 125 Velvet 125 Touring Adiva 150 Velvet 150 Velvet 150 Touring	2001-2004 1999-2007 2008-2012 2001-2004 1999-2007 2008-2012
MD9102D VR9102	Front Front	Solid Solid	267 267		Plain Vee				MBK YP 125 Skycruiser YP 400 Skyliner YAMAHA X-Max 125 X-Max 125 2DM X-Max 125 Momo Design X-Max 125 R X-Max 125 R Business X-Max 125 R Sport XP 125 RA X-Max Iron-Max X-Max 250 Momo Design XP 250 RA X-Max Iron-Max YP 250 R X-Max YP 250 R X-Max 1C0 YP 250 R X-Max 2PL1 YP 250 R X-Max 2PL1 YP 250 R X-Max 37P1 YP 250 R X-Max Sport	2006-2010 2004 2010-2017 2014-2016 2015 2006-2009 2011 2011-2012 2016 2015 2016 2011-2016 2005-2009 2014-2015 2014-2016 2010-2013 2011-2012
MD9103D VR9103	Rear Rear	Solid Solid	267 267		Plain Vee				MBK YP 400 Skyliner YAMAHA YP 400 Majesty YP 400 X-Max Momo Design YP 400 X-Max R YP 400 X-Max R Tech Max YP 400 X-Max RA SH12	2004 2004-2013 2015 2013-2017 2018-2021 2018-2021

STREETBIKE DISC BUYERS GUIDE

Disc No.	F/R	Type	Dia. mm	Hub Color	Profile	Bobbins	Left Bracket	Right Bracket	Model	Year
MD9104D VR9104	Rear Rear	Solid Solid	240 240		Plain Vee				MBK VP 125 Cityliner YP 125 Skycruiser VP 300 R Kilibre YAMAHA VP 125 X-City 16P X-Max 125 X-Max 125 R X-Max 125 R Sport VP 250 X-City 5B2 YP 250 R X-Max 1C0 YP 250 R X-Max 37P1 YP 250 R X-Max Sport VP 300 Versity	2008-2010 2006-2010 2003-2004 2008-2015 2010-2015 2006-2009 2011-2012 2007-2016 2005-2009 2010-2013 2011-2012 2003-2006
VR9105	Front	Solid	170		Vee				PEUGEOT Blaster Iceblade 50 Blaster RS 12 50 Ludix 50 2 Trend Ludix 50 Blaster	2010-2012 2010-2011 2007-2012 2005-2009
MD9106D	Rear	Solid	220		Plain				BENELLI Adiva 125 Adiva 150	2001-2004 2001-2004
MD9107D	Front	Solid	245		Plain				YAMAHA CP 250 Maxam/Morphus	2005-2008
MD9108D	Rear	Solid	245		Plain				YAMAHA X-Max 125 X-Max 125 Momo Design X-Max 125 R Business XP 125 RA X-Max Iron-Max CP 250 Maxam/Morphus XP 250 RA X-Max Iron-Max YP 250 R X-Max	2011-2017 2015 2011 2016 2005-2008 2016 2011-2016
MD9109D VR9109	Rear Rear	Solid Solid	210 210		Plain Vee				SUZUKI AN 250 8 Skywave SS AN 250 Skywave Type M BA-CJ45A AN 400 Burgman AN 400 Burgman/Skywave	2008 2007-2008 2023-2024 2007-2022
MD9110D VR9110	Front Front	Solid Solid	240 240		Plain Vee				CAGIVA Cucciolo 125	2000
MD9111D VR9111	Front Front	Solid Solid	263 263		Plain Vee				PEUGEOT Geo 125 RS Geopolis 125 Geopolis 125 Executive Geopolis 125 Premium Satelis 125 4V Executive/Premium/City Satelis 125 Compressor Geo 250 Geopolis 250 Executive Geopolis 250 Premium Geopolis 250 Urban Geo RS 300 Geo RS 400 Geopolis 300 Geopolis 300 Geopolis 400 Premium Geopolis 400 Urban Geopolis 500	2007-2012 2007-2012 2007-2012 2007-2012 2006-2009 2006-2011 2007-2011 2007-2011 2007-2011 2010-2012 2008-2012 2010-2015 2010-2012 2007-2012 2007-2012 2008-2011
MD9112D VR9112 MD9175D VR9175	Front Front Front Front	Solid Solid Solid Solid	240 240 250 250		Plain Vee Plain Vee				GILERA VX 125 Runner/ST VX 200 Runner Fuoco 500 LT 4V/ Fuoco 500 RC/ie PIAGGIO MP3 125 MP3 125 MP3 125ie MP3 Yourban 125ie	2005-2014 2005-2011 2013-2015 2007-2013 2006-2008 2009-2012 2008-2011 2011-2012

STREETBIKE DISC BUYERS GUIDE

Disc No.	F/R	Type	Dia. mm	Hub Color	Profile	Bobbins	Left Bracket	Right Bracket	Model	Year
MD9112D VR9112 MD9175D VR9175 Contd.									MP3 250 EFI MP3 250 LT ie MP3 250 MIC/EFI MP3 Business LT 300ie MP3 Hybrid 300ie MP3 Hybrid 300ie LT MP3 LT 300ie MP3 Sport 300ie LT MP3 Touring 300ie MP3 Touring 300ie LT MP3 Yourban 300ie MP3 Yourban Sport 300ie MP3 400ie MP3 400ie LT MP3 400ie Touring MP3 400ie Touring LT MP3 500 EFI MP3 500 LT Business MP3 500 LT Sport MP3 500ie Touring Business MP3 500ie Touring Sport	2006-2008 2009 2008-2009 2013 2011-2015 2011-2012 2010 2013 2011-2012 2011-2012 2011-2016 2011-2016 2007-2010 2009-2010 2011-2012 2011-2012 2009-2010 2011-2015 2011-2015 2011-2012 2011-2012
MD9113D	Front	Solid	245		Plain				DERBI GP1 50 Euro 2 GP1 50 Race GP1 125 Scooter GP1 250 Scooter	2005 2005-2007 2006 2006-2007
MD9114D	Front	Solid	218		Plain				ITALJET Millennium M 100/125/150 LC Millennium M 100/125/150 LC	2000-2001 2002-2004
MD9115D	F/R	Solid	220		Plain				TGB R50 X Bullet Delivery/Express 125 R1 25 X Bullet 302 Sport 50 303R Hawk/Laser 125/150 304 Sport 125	2006-2010 2004-2014 2008-2009 2003-2009 2004-2008 2003-2009
MD9116D VR9116	Front Front	Solid Solid	190 190		Plain Vee				SYM Jet 50/Euro X S Jet Basix 50 Jet Euro X 50 Mask 50 Mask 50 Red Devil 50 Jet 100 G100P-6 Jungle 50/100	1999-2005 2006-2009 2006-2014 2000-2005 2017-2019 1999-2009 1999-2000 1999-2002
MD9117D VR9117	F/R F/R	Solid Solid	240 240		Plain Vee				SUZUKI UH 125 Burgman UE 150 CTKI UH 200 Burgman	2007-2013 2001 2007-2013
MD9118D VR9118	Front Front	Solid Solid	256 256		Plain Vee				HONDA NSS 125 Forza SH 300i SH 300i SH 300i SH 300i A SH 300i AR SH 300i R SH 350i	2015-2024 2007-2012 2014 2016-2022 2007-2013 2008-2010 2008-2010 2020-2024
MD9119D VR9119	Rear Rear	Solid Solid	256 256		Plain Vee				HONDA NSS 300 AD Forza NSS 300 D Forza NSS 300 D Forza SH 300i SH 300i SH 300i A SH 300i AR SH 300i R ADV 350	2013-2017 2013-2015 2018-2021 2007-2012 2016-2022 2007-2013 2008-2010 2008-2010 2021-2024

STREETBIKE DISC BUYERS GUIDE

Disc No.	F/R	Type	Dia. mm	Hub Color	Profile	Bobbins	Left Bracket	Right Bracket	Model	Year
MD9119D VR9119 Contd.									NSS 350 D Forza SH 350i	2021-2024 2020-2024
MD9120D	Front	Solid	220		Plain				SUZUKI FL 125 Address/Underbone	2007-2010
MD9121D	Rear	Solid	198		Plain				PEUGEOT LooXoR 125/150	2003-2006
MD9122D	Front	Solid	245		Plain				DERBI GP1 125 Racing GP1 250 icc Racing	2007-2009 2007-2009
MD9123D	Rear	Solid	180		Plain				DERBI GP1 50 Euro 2 GP1 50 Race	2005 2005-2007
MD9124D	Rear	Solid	280		Plain				APRILIA SRV 850 GILERA GP 800	2012-2014 2008-2014
MD9125D	Front	Solid	300		Plain				APRILIA SRV 850 GILERA GP 800	2012-2014 2008-2014
MD9126D	Front	Solid	190		Plain				GILERA Stalker 50 Stalker 50 Stalker 50 Stalker 50 Typhoon 125 Typhoon 125 X-XR PIAGGIO Typhoon 50 Typhoon 50 Typhoon 50 Typhoon 50 X Typhoon 50 XR Typhoon 125	1997-2006 1997-2006 2003-2006 2003-2011 1995-1998 1999-2000 1994-1997 2000-2004 2001-2009 1998-1999 2000 1999-2003
MD9127D VR9127	Front Front	Solid Solid	180 180		Plain Vee				MBK XC 125 WAAP YAMAHA XC 125E E Vity 4P72	2008-2010 2008-2013
VR9128	Front	Floating	260	Black	Vee				KAWASAKI J 125 SC J 125 SE - SC J300 J300 J300 Special Edition J300 Special Edition KYMCO Downtown 125 i/Super Dink V21000 K-XCT 125i New Downtown 125i Super 8 125 X Town 125i X Town City 125 i Downtown 200i Downtown 300i Downtown 300i/Super Dink V20000 K-XCT 300i Downtown 350i	2016-2018 2016-2021 2014-2016 2014-2020 2014-2016 2014-2020 2009-2015 2012-2015 2015-2019 2008-2015 2016-2021 2020-2024 2010-2015 2010-2015 2009-2012 2012-2015 2015-2020
MD9129D VR9129	Rear Rear	Solid Solid	240 240		Plain Vee				KAWASAKI J 125 SC J 125 SE - SC J300 J300 J300 Special Edition J300 Special Edition	2016-2018 2016-2021 2014-2016 2014-2020 2014-2016 2014-2020

STREETBIKE DISC BUYERS GUIDE

Disc No.	F/R	Type	Dia. mm	Hub Color	Profile	Bobbins	Left Bracket	Right Bracket	Model	Year
MD9129D VR9129 Contd.									KYMCO Agility 125 Downtown 125 i/Super Dink V21000 DTX 360 125cc New Downtown 125i X Town 125i X Town City 125 i Agility 150 R16 R16 C30000 Agility 200i R 16 Downtown 200i Downtown 300i Downtown 300i/Super Dink V20000 Grand Dink 300i X Town 300i X Town City 300i DTX 360 320cc Downtown 350 I TCS Downtown 350i	2008-2015 2009-2015 2021-2024 2015-2019 2016-2021 2020-2024 2008-2012 2010-2021 2010-2015 2010-2015 2009-2012 2012-2020 2017-2021 2020-2022 2021-2024 2019-2022 2015-2020
MD9130D	Front	Solid	270		Plain				MBK VP 125 Cityliner YAMAHA VP 125 X-City 16P VP 250 X-City 5B2	2008-2010 2008-2015 2007-2016
MD9131D	Front	Solid	186		Plain				SINNIS QM 50 10A B Hawk	2008-2010
MD9132D	Rear	Solid	195		Plain				SINNIS QM 125 T-8G Ecocity 125	2007-2014
MD9133D VR9133 VR9133BLK	F/R F/R F/R	Solid Solid Floating	245 245 245	Black	Plain Vee Vee				MBK NXC 125 Flame X YAMAHA NCX 125 K Cygnus X NCX 125 L Cygnus X Inj XC 125 Cygnus X 4P91 XC 125 R Majesty S YW 125 G Zuma YW 125 X 1DN1/2 XC 155 S-MAX	2007-2012 2007-2010 2007-2010 2007-2013 2014-2015 2016-2021 2010-2013 2015-2016
MD9134D VR9134	F/R F/R	Solid Solid	220 220		Plain Vee				HONDA NSC 50 M Vision NSC 50 R NSC 50 W Vision ACB 110 Vario 110 ACC 110 ANC 110 Icon ACD 110 Scoopy 110 Fi AFS 110 Wave NSC 110 Dio NSC 110 E Vision NSC 110 Spacy NSC 110 Vision NSC 110 Vision ACA 125 Air Blade 125 PCX 125 WW SH 125 Mode ANC 125 E PCX 150 Hybrid PCX 150 WW 150 EX2	2012-2018 2012-2016 2012-2016 2010 2011-2012 2011-2016 2012-2016 2015-2021 2012-2014 2012-2014 2011-2016 2017-2024 2014-2016 2012-2017 2014-2020 2019-2020 2009-2015
MD9135D VR9135	Rear Rear	Solid Solid	220 220		Plain Vee				HONDA FES 125 Pantheon FES 125 S-Wing FES 125 S-Wing NSS 125 Forza FES 150 Pantheon FES 150 S-Wing FES 150 S-Wing	2003-2006 2007-2013 2007-2015 2015-2024 2003-2006 2007-2013 2007-2013
MD9136D VR9136	Front Front	Solid Solid	267 267		Plain Vee				YAMAHA YP 400 Majesty YP 400 Majesty	2005-2013 2005-2013

STREETBIKE DISC BUYERS GUIDE

Disc No.	F/R	Type	Dia. mm	Hub Color	Profile	Bobbins	Left Bracket	Right Bracket	Model	Year
MD9137D VR9137	Front Front	Solid Solid	225 225		Plain Vee				PEUGEOT Tweet 125 Tweet 150 SYM Jet 14 50 E5 Jet 4 R 50 Symphony 50 Symphony 50 Cargo Symphony 50 S Symphony 50 ST JET 4 125cc/ JET V 125cc/ Jet X 125 Euro 5 Jet14 125 Euro 4 Symphony 125 Symphony 125 S Symphony 151 S	2010-2012 2010-2012 2018-2021 2011-2018 2009 2020-2024 2010-2024 2016-2019 2010-2015 2012-2013 2021-2024 2017-2021 2009 2010-2021 2010-2015
MD9138D VR9138	Front Front	Solid Solid	160 160		Plain Vee				SYM DD 50	2002-2012
MD9139D VR9139	Rear Rear	Solid Solid	240 240		Plain Vee				HONDA SH 125i SH 125i SH 125i ADL SH 125i RA SH 150i SH 150i Mode ADL SH 150i RA NSS 300 AD Forza NSS 300 D Forza VECTRIX VX-1 Li/NiMh	2009-2012 2014-2016 2014-2024 2010-2014 2009-2012 2014-2021 2010-2014 2013-2017 2013-2015 2007-2014
MD9140D VR9140	Front Front	Solid Solid	190 190		Plain Vee				HONDA SCV 110 Lead NHX 110-WHA	2010-2012
MD9141D VR9141	Front Front	Solid Solid	200 200		Plain Vee				PEUGEOT E-Vivacity Electric Django 50 Allure Django 50 Allure Django 50 Evasion Django 50 Evasion Django 50 Heritage Django 50 Heritage Django 50 S Django 50 S Django 50 Sport Django 50 Sport New Vivacity 50 New Vivacity 50 New Vivacity 50 Sixties Django 125 Allure Django 125 Allure SBC Django 125 Evasion Django 125 Evasion SBC Django 125 Heritage Django 125 Heritage SBC Django 125 S Django 125 Sport Django 125 Sport SBC Vivacity 125 Vivacity 125 Sixties Django 150 Allure Django 150 Evasion Django 150 Heritage Django 150 S Django 150 Sport	2011-2015 2014-2018 2014-2018 2014-2021 2014-2018 2014-2018 2014-2018 2014-2018 2014-2018 2014-2018 2014-2021 2014-2018 2014-2018 2008-2014 2008-2014 2010-2013 2014-2021 2014-2021 2014-2021 2014-2021 2014-2021 2014-2021 2014-2021 2014-2021 2014-2021 2014-2021 2010-2015 2011-2012 2014-2021 2014-2021 2014-2021 2014-2021 2014-2021
MD9142D	F/R	Solid	220		Plain				SUZUKI UX 125 SIXteen UX 150 SIXteen	2008-2014 2008-2014

STREETBIKE DISC BUYERS GUIDE

Disc No.	F/R	Type	Dia. mm	Hub Color	Profile	Bobbins	Left Bracket	Right Bracket	Model	Year
MD9143D VR9143	Rear Rear	Solid Solid	282 282		Plain Vee				YAMAHA XP 500 A T-Max - Lux Max XP 500 A T-Max 530cc XP 500 Black & Bronze Max XP 500 T-Max 530cc XP 530 A - Iron Max XP 530 A T-Max SX XP 530 D-A T-Max DX XP 530 E-A T-Max T-Max 560 T-Max 560 Tech Max	2016 2012-2016 2013-2015 2012-2016 2015-2016 2017-2020 2017-2020 2017-2020 2019-2024 2019-2024
MD9144D VR9144BLK	Front Front	Floating Floating	260 260	Silver Black	Plain Vee	5 5			SUZUKI AN 650 Burgman AN 650 Burgman Executive	2013-2016 2013-2018
MD9145D VR9145BLK VR9145	Front Front Front	Floating Floating Solid	267 267 267	Black Black	Plain Vee Vee	5 5			YAMAHA XC 125 R Majesty S XC 155 S-MAX	2014-2015 2015-2016
MD9146D	Front	Solid	220		Plain				PIAGGIO Medley 125 YAMAHA Tricity 125 Tricity 150 Tricity 155 Tricity 300 ABS	2016-2019 2014-2023 2016 2018-2024 2020-2024
MD9147D	Rear	Solid	230		Plain				YAMAHA Tricity 125	2014-2023
MD9148D VR9148	Front Front	Solid Solid	226 226		Plain Vee				PEUGEOT New Tweet Evo 50 Tweet 50 New Tweet Evo 125 Tweet 125 New Tweet Evo 150	2014-2020 2010-2013 2014-2020 2012-2013 2014-2019
MD9149D VR9149	Rear Rear	Solid Solid	226 226		Plain Vee				PEUGEOT New Tweet Evo 125 Tweet 125 New Tweet Evo 150 SYM Symphony 50 SR Symphony 125 Cargo Symphony 125 SR Symphony 125 SR Symphony 125 ST Symphony 151 SR	2014-2020 2012-2013 2014-2019 2010-2015 2021-2024 2010-2015 2021-2024 2017-2021 2010-2015
MD9150D VR9150	Rear Rear	Solid Solid	200 200		Plain Vee				YAMAHA YW 125 G Zuma	2016-2021
MD9151D VR9151	Front Front	Solid Solid	220 220		Plain Vee				PIAGGIO New Fly 50 4V Typhoon 50 Fly 125 - 3V Fly 125i New Fly 125ie 3V Typhoon 125	2012-2013 2010-2016 2012-2015 2012-2015 2012-2013 2010-2015
MD9152D	Front	Solid	240		Plain				HYOSUNG MS3 125cc MS3 250i	2007-2009 2007-2009
MD9153D	Rear	Solid	240		Plain				YAMAHA X-Max 125 2DM X-Max 125 2DM YP 250 R X-Max 2PL1	2014-2016 2014 2014-2016
MD9154D	Front	Solid	267		Plain				YAMAHA Xenter 125 Xenter 150 HW	2012-2020 2012-2016

STREETBIKE DISC BUYERS GUIDE

Disc No.	F/R	Type	Dia. mm	Hub Color	Profile	Bobbins	Left Bracket	Right Bracket	Model	Year
MD9155D VR9155	Rear Rear	Solid Solid	240 240		Plain Vee				PIAGGIO Beverly 125 Beverly 125 ie S Beverly 300 Beverly 300ie S	2011-2014 2014-2015 2010-2018 2014-2021
MD9156D	Rear	Solid	230		Plain				YAMAHA N-Max 125 GPD 125-A N-Max 150 N-Max GDP 155-A	2015-2024 2015-2017 2019-2024
MD9157D	Rear	Solid	230		Plain				YAMAHA N-Max 125 GPD 125-A N-Max 150 Tricity 150 N-Max GDP 155-A Tricity 155	2015-2024 2015-2017 2016 2019-2024 2018-2024
MD9158D	Front	Solid	258		Plain				PIAGGIO MP3 300 HPE MP3 Business LT 300ie MP3 Sport 300ie LT MP3 Yourban 300 LT RL MP3 Maxi Sport-Business 350 E4 MP3 400 HPE RST MP3 500 LT Business MP3 500 LT Sport MP3 500 Sport Advanced E5 MP3 530 HPE Exclusive RST	2022-2023 2014-2018 2014-2018 2017-2018 2018-2019 2022-2023 2014-2020 2014-2020 2021-2022 2022-2023
VR9160	Front	Solid	245		Vee				PGO Tigra 125	2012
MD9161D VR9161	Rear Rear	Solid Solid	220 220		Plain Vee				PGO Tigra 125	2012
MD9162D VR9162	Front Front	Solid Solid	205		Plain Vee				GOGORO E SCOOTER Smartscooter	2015-2017
MD9163D VR9163	Rear Rear	Solid Solid	162 162		Plain Vee				GOGORO E SCOOTER Smartscooter	2015-2017
MD9164D VR9164	Rear Rear	Solid Solid	240 240		Plain Vee				PIAGGIO Medley 125 Medley 125 S Medley 150 Medley 150 S Beverly Sport Touring 300ie	2016-2020 2016-2021 2016-2019 2016-2021 2011-2021
MD9165D	Front	Solid	240		Plain				PIAGGIO Liberty 50 i-get Liberty 125 i-get Liberty 150 i-get	2015-2021 2015-2021 2015-2021
VR9166	Front	Solid	240		Plain				SYM Symphony 125 ST	2017-2021
MD9167D VR9167	Rear Rear	Solid Solid	190 190		Plain Vee				PEUGEOT Django 125 Allure Django 125 Allure SBC Django 125 Evasion Django 125 Evasion SBC Django 125 Heritage SBC Django 125 S Django 125 Sport Django 125 Sport SBC Speedfight 125 Darkside Django 150 Allure Django 150 Evasion Django 150 S Django 150 Sport	2014-2021 2014-2021 2014-2021 2014-2021 2014-2021 2014-2021 2014-2021 2014-2021 2014-2021 2014-2015 2014-2021 2014-2021 2014-2021 2014-2021

STREETBIKE DISC BUYERS GUIDE

Disc No.	F/R	Type	Dia. mm	Hub Color	Profile	Bobbins	Left Bracket	Right Bracket	Model	Year
MD9168D	Rear	Solid	245		Plain				YAMAHA X-Max 125 X-Max 125 Tech Max X-Max 250 Tricity 300 ABS X-Max 300 ABS X-Max 300 Tech Max ABS	2018-2024 2019-2024 2018-2019 2020-2024 2017-2024 2018-2024
MD9169D	Front	Solid	267		Plain				YAMAHA X-Max 125 X-Max 125 Tech Max X-Max 250 X-Max 300 ABS X-Max 300 Tech Max ABS	2018-2024 2019-2024 2018-2019 2017-2024 2018-2024
MD9170D VR9170	Rear Rear	Solid Solid	196 196		Plain Vee				PEUGEOT Django 125 Heritage Speedfight 125 Darkside Speedfight 125 Iceblade Django 150 Heritage	2014-2021 2014-2015 2014-2015 2014-2021
MD9172D VR9172	Front Front	Solid Solid	300 300		Plain Vee				PIAGGIO Beverly 125 Beverly 125 ie S Beverly 300 Beverly 300ie S Beverly Sport Touring 300ie	2011-2014 2014-2015 2010-2018 2014-2021 2011-2021
MD9173D	Rear	Solid	260		Plain				KYMCO AK 550 CV 3 550cc Euro 5	2017-2024 2021-2024
MD9174D	Front	Floating	270	Silver	Plain	6			KYMCO Xciting 400i Xciting 400i S AK 550 CV 3 550cc Euro 5	2012-2020 2017-2021 2017-2024 2021-2024
MD9175D VR9175	Front Front	Solid Solid	250 250		Plain Vee				PIAGGIO MP3 125 MP3 125ie MP3 Yourban 125ie MP3 250 EFI MP3 250 LT ie MP3 250 MIC/EFI MP3 Business LT 300ie MP3 Hybrid 300ie MP3 Hybrid 300ie LT MP3 LT 300ie MP3 Sport 300ie LT MP3 Touring 300ie MP3 Touring 300ie LT MP3 Yourban 300ie MP3 Yourban Sport 300ie MP3 400ie MP3 400ie LT MP3 400ie Touring MP3 400ie Touring LT MP3 500 EFI MP3 500 LT Business MP3 500 LT Sport MP3 500ie Touring Business MP3 500ie Touring Sport	2006-2012 2008-2011 2011-2012 2006-2008 2009 2008-2009 2013 2011-2015 2011-2012 2010 2013 2011-2012 2011-2012 2011-2016 2011-2016 2007-2010 2009-2010 2011-2012 2011-2012 2009-2010 2011-2015 2011-2015 2011-2012 2011-2012
MD9176D	Front	Solid	240		Plain				SUZUKI UH 125 Burgman UH 200 Burgman	2014-2021 2014-2023
MD9177D	Front	Solid	220		Plain				HONDA PCX 125 S - WW AK PCX 125 WW-J SH 125 Mode FSH125M PCX 150 PCX 150 WW-J	2018-2023 2018-2021 2021-2024 2018-2020 2017-2021

STREETBIKE DISC BUYERS GUIDE

Disc No.	F/R	Type	Dia. mm	Hub Color	Profile	Bobbins	Left Bracket	Right Bracket	Model	Year
MD9178D	Rear	Solid	240		Plain				PIAGGIO Medley 125 Medley 150 S	2020 2020-2021
MD9179D	Front	Solid	260		Plain				PIAGGIO Medley 125 Medley 125 S Medley 150 S	2020 2016-2021 2020-2021
MD9180C VR9180	Front	Solid	215		Vee				PEUGEOT Speedfight 3 50 Iceblade Speedfight 4 50 20th Anniversary Edition Speedfight 4 50 Classic Speedfight 4 50 Darkside Speedfight 4 50 Iceblade Speedfight 4 50 Pure Speedfight 4 50 Pure Speedfight 4 50 R-Cup Speedfight 50 Air Speedfight 50 Darkside Air Speedfight 50 R-Cup Speedfight 50 Sportline Speedfight 4 125 Speedfight 4 125 I R-Cup SBC Speedfight 4 125 SBC	2013-2015 2018 2015-2020 2015-2018 2015-2018 2015-2018 2015-2018 2018-2020 2020-2021 2020-2021 2020-2021 2020-2021 2017-2021 2018-2021 2018-2021
MD9182D	F/R	Solid	270		Plain				BMW C Evolution Electric Scooter C 600 Sport Highline Scooter C 600 Sport Scooter C 650 GT Highline Scooter C 650 GT Scooter C 650 Sport Scooter	2018-2020 2013-2015 2012-2015 2013-2018 2012-2020 2016-2020
MD9183D	Front	Solid	180		Plain				OHVALE GP-0 110A1104S160 4S	2019-2020
MD1001	F/R	Solid	276		Plain				HONDA CBR 400 RG NC23 100 CBR 400 RH-YA NC23 101 VFR 400 R NC24 CBR 500 Four XBR 500 CBR 600 F CBR 600 FM CBR 750 FH Superaero RC27 CBX 750 FE VF 750 SC V45 Sabre VFR 750 FG/FH PC 800 Pacific Coast CBR 1000 FH/FJ VF 1000 F CB 1300 X4 SC38 MASH Roadstar 400 Five Hundred	1986 1986 1987-1988 1987-1990 1985-1989 1987-1990 1991-1994 1987 1984 1982 1986-1987 1989-1997 1987-1988 1984-1986 1997-2000 2013-2020
MD1002	Rear	Solid	220		Plain				HONDA CBR 250 R MC17 CBR 250 R MC19 NS 250 FE/RE MCII-100 NS 250 RG MCII-102 NSR 250 R MC18-100 NSR 250 R MC18-110 NSR 250 R MC18-110 NSR 250 R MC21 NSR 250 R MC21-106 NSR 250 R9N MC21 NSR 250 RG MC16-100 VT 250 Spada/Castel CBR 400 RG NC23 100 CBR 400 RH-YA NC23 101 CBR 400 RR NC23 Tri-Arm NS 400 RF/RG VFR 400 NC21 CBR 500 Four	1987 1988-1989 1984 1986 1988 1989 1989 1990-1992 1990 1992 1986 1988-1990 1986 1986 1987-1989 1985-1987 1985-1987 1987-1990

STREETBIKE DISC BUYERS GUIDE

Disc No.	F/R	Type	Dia. mm	Hub Color	Profile	Bobbins	Left Bracket	Right Bracket	Model	Year
MD1002 Contd.									CBR 600 F	1987-1990
MD1003X MD1003XC VR1003BLK VR1003BLU VR1003RED	Front Front Front Front Front	Floating Floating Floating Floating Floating	296 296 296 296 296	Gold Gold Black Blue Red	Plain Contour Vee Vee Vee	6 6 6 6 6			HONDA NSF 250 R CBR 400 RR NC23 Tri-Arm CBR 400 RR NC29 Gull Arm RVF 400 RR NC35 VFR 400 R NC30 VFR 400 R NC30 CBR 600 FS VFR 750 FR/FS/FT/FV CBR 900 RR Fireblade 893cc CBR 900 RRT/RRV Fireblade 918cc VTR 1000 F Firestorm HONDA RACING CALIPER RS 125 RS 125 RS 125 RS 125 NF4 RS 250 RS 250 RS 250	2018-2020 1987-1989 1990-1994 1994-1996 1989-1992 1990-1991 1995-1998 1994-1997 1994-1995 1996-1997 1997-2006 1990-1994 1995-2003 2004-2007 1987-1994 1988-1989 1990-1994 1995-2002
MD1004 MD1004C VR1004	Rear Rear Rear	Solid Solid Solid	220 220 220		Plain Contour Vee				HONDA CB 250 F Hornet CBR 250 R CBR 250 RR MC22 FES 250 Foresight NSS 250 Forza NSS 250 Jazz MF04 NSS 250 Reflex MF06 VTR 250 W MC33 CBR 400 RR NC29 Gull Arm NX 4 Falcon VF 500 F CB 600 F Hornet CB 600 F Hornet CB 600 F2 Hornet S CBR 600 F Sport CBR 600 F3/F4/F5/F6 CBR 600 FM CBR 600 FS CBR 600 FX/FY CBR 600 RR CBR 600 RR CBR 600 RR CBR 600 RR Hannspree CBR 600 RR3/RR4 CBR 600 RR5/RR6 CBR 900 RR Fireblade 893cc CBR 900 RR Fireblade 893cc CBR 900 RR2/RR3 Fireblade 954cc CBR 900 RRT/RRV Fireblade 918cc CBR 900 RRW/RRX Fireblade 918cc CBR 900 RRY/RR1 Fireblade 929cc CBR 1000 RR Fireblade CBR 1000 RR Fireblade VTR 1000 F Firestorm VTR 1000 SP1 VTR 1000 SP2 PEUGEOT SV 250	1996-2001 2011-2013 1990-1994 2000-2005 2000-2004 2000-2004 2000-2004 1998-2007 1990-1994 2002-2005 1984-1985 1998-1999 2000-2006 2000-2004 2001-2002 2003-2006 1991-1994 1995-1998 1999-2000 2007-2016 2017-2024 2017-2020 2008 2003-2004 2005-2006 1992-1993 1994-1995 2002-2003 1996-1997 1998-1999 2000-2001 2004-2005 2006-2007 1997-2006 2000-2001 2002-2007 2001-2002
MD1005LS MD1005RS	Front Front	Solid Solid	256 256		Plain Plain				HONDA CB 350 SG/SJ CB 450 SG/SJ	1986-1990 1986-1988
MD1006 MD1006C VR1006	Front Front Front	Solid Solid Solid	256 256 256		Plain Contour Vee				HONDA CBR 250 MC14 CBR 250 R MC17 NS 250 FE/RE MCII-100 NS 250 RG MCII-102 FJS 400 Silverwing NS 400 RF/RG VFR 400 NC21	1986 1987 1984 1986 2006-2008 1985-1987 1985-1987

STREETBIKE DISC BUYERS GUIDE

Disc No.	F/R	Type	Dia. mm	Hub Color	Profile	Bobbins	Left Bracket	Right Bracket	Model	Year
MD1006 MD1006C VR1006	Rear Rear Rear	Solid Solid Solid	256 256 256		Plain Contour Vee				VF 500 F FJS 600 Silverwing VF 500 F CBR 750 FH Superaero RC27 CBR 750 FJ Superaero RC27 VFR 750 FG/FH VFR 750 FJ/FK CBR 1000 F XL 1000 VA Varadero XL 1000 Varadero XL 1000 Varadero CB 1100 S X11 CBR 1100 XX Blackbird CBR 1100 XXX Blackbird CB 1300 Superfour	1984-1985 2001-2006 1984-1985 1987 1988 1986-1987 1988-1989 1993-1999 2004-2011 2003-2006 2007-2011 2000-2003 1997-1998 1999-2008 2003-2004
MD1007 MD1007C	Rear Rear	Solid Solid	256 256		Plain Contour				HONDA VFR 750 FL/FM/FN/FP VFR 750 FR/FS/FT/FV	1990-1993 1994-1997
MD1008	Front	Solid	296		Plain				HONDA CB 500 R/T Twin CB 500 Twin CBF 600 N CBF 600 NA CBF 600 S CBF 600 SA NT 650 Deauville NT 650 Deauville NT 700 Deauville NT 700 Deauville CB 750 F2 Seven Fifty VFR 750 FJ/FK VFR 750 FL/FM/FN/FP CBR 1000 F CBR 1000 FH/FJ CBR 1000 FK/FL/FM/FN ST 1100 Pan European	1994-1996 1997-2003 2004-2006 2004-2006 2004-2005 2004-2008 1998-2001 2002-2005 2006-2013 2007-2013 1992-2002 1988-1989 1990-1993 1993-1999 1987-1988 1989-1992 1996-2002
MD1010LS MD1010RS	Front Front	Floating Floating	310 310	Silver Silver	Plain Plain	6 6			HONDA VFR 750 R RC30	1988-1990
MD1011 Billet	Rear	Solid	220		Plain				HONDA VFR 750 R RC30	1988-1990
MD1012LS MD1012RS	Front Front	Floating Floating	310 310	Silver Silver	Plain Plain	6 6			HONDA RVF 750 RR RC45	1994-1998
MD1013 Billet	Rear	Solid	220		Plain				HONDA RVF 750 RR RC45	1994-1998
MD1014X MD1014XC MD1014CC VR1014BLK VR1014BLU VR1014RED	Front Front Front Front Front	Floating Floating Floating Floating Floating	296 296 296 296 296	Gold Gold Chrome Black Blue Red	Plain Contour Contour Vee Vee Vee	6 6 6 6 6 6			HONDA CBR 600 FX/FY VFR 800 FIW/FIX VFR 800 FIY/FI CBR 900 RR Fireblade 893cc XL 1000 Varadero XL 1000 Varadero XL 1000 Varadero GL 1500 F6C GL 1500 F6C GL 1800 Goldwing GL 1800 Goldwing	1999-2000 1998-1999 2000-2005 1992-1993 1999-2002 2003-2006 2007-2011 1997-1999 2000-2003 2001-2005 2006-2017
MD1016	Rear	Solid	276		Plain				HONDA NT 650 Deauville NT 650 Deauville NT 700 Deauville NT 700 Deauville CB 1000 F CBR 1000 FK/FL/FM/FN VT 1100 C2 VT 1100 C2	1998-2001 2002-2005 2006-2013 2007-2013 1993-1997 1989-1992 1995-1997 1998-2005

STREETBIKE DISC BUYERS GUIDE

Disc No.	F/R	Type	Dia. mm	Hub Color	Profile	Bobbins	Left Bracket	Right Bracket	Model	Year
MD1016 Contd.									VT 1100 C3 CB 1300 F1 SC40 CB 1300 SC40	1998-2000 2001 1998-2000
MD1020 MD1020C VR1020	Rear Rear Rear	Solid Solid Solid	240 240 240		Plain Contour Vee				CAGIVA Elefant E 750 E 900 C Elefant E 900 C ie Lucky Explorer HONDA NSS 250 Forza EX NSS 250 Forza Z NSS 250 Forza Z CB 400 F CB 1 CB 400 Four NC36 CB 400 SF Superfour NC31 CB 400 SF2 Superfour NC31 CB 400 SF3V Superfour NC31 CB 500 Twin CB 750 F2 Seven Fifty CB 900 F Hornet	1993-1995 1993-1997 1995-1997 2005-2008 2005-2013 2005-2006 1989-1990 1997-1998 1992-1995 1996-1997 1997 1997-2003 1992-2002 2002-2007
MD1021LS MD1021RS	Front Front	Floating Floating	316 316	Silver Silver	Plain Plain	6 6			HONDA VT 250 Magna NTV 600 Revere NTV 650 VF 750 C VT 1100 C2	1995-1997 1988-1992 1988-1997 1993-1999 1995-1997
MD1022	Rear	Solid	240		Plain				HONDA VFR 400 R NC24 NT 650 Bros	1987-1988 1988-1992
MD1025	Rear	Solid	276		Plain				HONDA NTV 600 Revere NTV 650	1988-1992 1988-1997
MD1030	Front	Solid	240		Plain				HERO Glamour 125 PGM Fi Super Splendor 125 Hunk 150 HONDA CA 125 Rebel CA 125 V Rebel CB 125 F - GLR 125 1WHF CB 125 F - GLR 125 1WHH CBF 125 6 Stunner CBF 125 M7 Stunner CBF 125 M9 VT 125 Shadow CBF 150 6 CBF 150 M Unicorn CBF 150 M Unicorn CBF 150 MB Unicorn CBF 150 SH TA 200 TA Shadow CBX 250 CMX 250 CT Rebel CMX 250 Rebel	2011-2012 2011-2012 2011-2012 1995-1997 1998-2000 2015-2016 2017-2022 2006 2007 2009-2015 1999-2008 2006 2006-2007 2007-2010 2011-2012 2007-2010 2002-2005 1984-1998 1996 1997-2000
MD1036LS MD1036RS VMD1036	Front Front Front	Floating Floating Floating	276 276 276	Silver Silver Black	Plain Plain Plain	6 6 9			HONDA CB 250 N CM 250 TB CX 500 EC CB 650 SCC Nighthawk CX 650 ED CB 750 F CB 750 F CB 750 KZ CB 900 F CB 900 FB/F2B CB 900 FZ/FA CBX 1000 Z GL 1000 Z Goldwing GL 1100 C/DC Goldwing GL 1100 SC02	1978-1982 1981 1982 1982 1983 1978-1982 1983-1984 1980 1984-1985 1982-1983 1980-1981 1979-1980 1979 1982 1980-1982

DISC BUYERS GUIDE

STREETBIKE DISC BUYERS GUIDE

Disc No.	F/R	Type	Dia. mm	Hub Color	Profile	Bobbins	Left Bracket	Right Bracket	Model	Year
MD1038RS	Front	Floating	310	Gold	Plain	6			HONDA CB 400 F CB 1	1989-1990
MD1040LS MD1040RS	Front Front	Solid Solid	276 276		Plain Plain				HONDA GL 650 D2-E	1984
MD1041LS	Front	Solid	276		Plain				HONDA CMX 450 Rebel	1987-1988
VMD1042	Front	Floating	276	Black	Plain	9			HONDA CB 500 F Four CB 550 F	1975-1977 1978-1980
MD1047LS	Front	Solid	296		Plain				HONDA VT 600 CN Shadow Custom VT 600 Shadow Custom VF 750 C Shadow	1993 1994-2000 1983
MD1048 SILVER	Rear	Floating	276	Silver	Plain	9			HONDA FT 500 C	1982
MD1056	Front	Floating	310	Silver	Plain	9			HONDA CB 1000 F	1993-1997
MD1059LS	Front	Solid	316		Plain				HONDA VF 750 CH	1987
MD1062LS VMD1062	Front Front	Floating Floating	296 296	Silver Black	Plain Plain	9 9			HONDA CB 750 K6 CB 750 K7	1976 1978
MD1064	Rear	Floating	296	Silver	Plain	9			HONDA CB 750 F/F1 CB 750 F2 GL 1000 Goldwing GL 1000 Goldwing GL 1000 Z Goldwing	1976-1977 1978 1975-1977 1978 1979
MD1068	Rear	Solid	296		Plain				HONDA VF 750 FD/FE	1983-1984
MD1071 VMD1071	Rear Rear	Floating Floating	296 296	Silver Black	Plain Plain	9 9			HONDA CB 750 F CB 900 FZ/FA CBX 1000 B/C CBX 1000 Z GL 1100 C/DC Goldwing GL 1100 SC02	1978-1982 1980-1981 1981-1982 1979-1980 1982 1980-1982
MD1074LS MD1074RS	Front Front	Floating Floating	276 276	Silver Silver	Plain Plain	9 9			HONDA GL 1000 Goldwing	1975-1977
MD1077 Billet	Rear	Solid	316		Plain				HONDA ST 1100 Pan European ST 1100 Pan European GL 1500 F6C GL 1500 Goldwing	1990-2002 1992-1995 1997-1999 1990-2000
MD1079	Rear	Solid	276		Plain				HONDA CBX 750 FE PVT 1000 RS Pursuer VF 1000 F	1984 2017-2018 1984-1986
MD1080RS 1080	Front	Floating	336	Silver	Plain	9			HONDA VT 1100 Shadow	1987-1993
MD1082	Rear	Floating	296	Silver	Plain	9			HONDA CB 750 F CB 900 F CB 900 FB/F2B GL 1100 AD Goldwing Aspencade GL 1200 Goldwing GL 1200 Goldwing	1983-1984 1984-1985 1982-1983 1983 1984-1986 1984-1986

STREETBIKE DISC BUYERS GUIDE

Disc No.	F/R	Type	Dia. mm	Hub Color	Profile	Bobbins	Left Bracket	Right Bracket	Model	Year
MD1083LS MD1083RS	Front Front	Floating Floating	276 276	Silver Silver	Plain Plain	9 9			HONDA VF 750 FD/FE GL 1200 Goldwing	1983-1984 1984-1986
MD1084LS	Front	Solid	240		Plain				HONDA NS 125 F	1986-1987
MD1088LS	Front	Floating	316	Silver	Plain	9			HONDA NSR 125 F NSR 125 R	1988-1992 1989-1992
MD1089LS 1089	Front	Solid	240		Plain				HONDA CB 250 Two Fifty	1992-2005
MD1090LS	Front	Solid	240		Plain				HONDA CBX 250 RSE CD 250 UJ	1984 1988-1992
MD1101	Front	Solid	316		Plain				HONDA ST 1100 Pan European ST 1100 Pan European KYMCO Venox 250 R20010/RA50AA Venox 250 R20012 Venox 250 RFBR20011/RA500AD	1990-2002 1992-1995 2000-2003 2000-2014 2004-2006
MD1109LS SILVER	Front	Floating	316	Silver	Plain	9			HONDA NSR 125 RR	1993-2001
MD1111	Rear	Solid	220		Plain				HONDA NSR 250 R MC28-110 NSR 250 RR MC28 RVF 400 RR NC35 VFR 400 R NC30 VFR 400 R NC30	1994 1994 1994-1996 1989-1992 1990-1991
MD1116 SILVER	Rear	Floating	296	Silver	Plain	9			HONDA CB 1100 R	1980-1983
MD1117LS MD1117RS	Front Front	Floating Floating	276 276	Silver Silver	Plain Plain	9 9			HONDA NSR 250 R MC18-100 NSR 250 R MC18-110 NSR 250 R MC21 NSR 250 R MC28-110 NSR 250 RR MC28	1988 1989 1990-1992 1994 1994
MD1120X MD1120XC VR1120BLK VR1120BLU VR1120RED	Front Front Front Front Front	Floating Floating Floating Floating Floating	310 310 310 310 310	Silver Silver Black Blue Red	Plain Contour Vee Vee Vee	6 6 6 6 6			HONDA CBR 1100 XX Blackbird	1997-1998
MD1124LS	Front	Floating	320	Gold	Plain	9			HONDA NT 650 Bros	1988-1992
MD1125 Billet	Front	Floating	276	Silver	Plain	9			HONDA GL 1200 Goldwing	1984-1986
MD1126 Billet	Front	Solid	296		Plain				HONDA GL 1500 Goldwing GL 1500 J/K Goldwing	1990-2000 1988-1989
MD1127 Billet	Rear	Solid	296		Plain				HONDA GL 1500 J/K Goldwing	1988-1989
MD1129LS MD1129RS	Front Front	Floating Floating	256 256	Silver Silver	Plain Plain	6 6			HONDA NSR 250 RG MC16-100	1986
MD1131LS	Front	Floating	296	Silver	Plain	9			HONDA FT 500 C	1982
MD1132 MD1132C	Front Front	Floating Floating	296 296	Silver Silver	Plain Contour	9 9			HONDA CB 400 SF Superfour NC31 CB 600 F Hornet	1992-1997 1998-1999

STREETBIKE DISC BUYERS GUIDE

Disc No.	F/R	Type	Dia. mm	Hub Color	Profile	Bobbins	Left Bracket	Right Bracket	Model	Year
MD1133 Billet	Front	Floating	296	Silver	Plain	9			HONDA GL 1100 AD Goldwing Aspencade	1983
MD1134X MD1134XC MD1134CC VR1134BLK VR1134BLU VR1134RED	Front Front Front Front Front	Floating Floating Floating Floating Floating	310 310 310 310 310	Gold Gold Chrome Black Blue Red	Plain Contour Contour Vee Vee Vee	6 6 6 6 6 6			HONDA CBR 900 RR Fireblade 918cc	1998-1999
MD1135	Rear	Solid	296		Plain				HONDA ST 1100 Pan European	1996-2002
MD1136X MD1136XC VR1136BLK VR1136BLU VR1136RED	Front Front Front Front Front	Floating Floating Floating Floating Floating	310 310 310 310 310	Gold Gold Black Blue Red	Plain Contour Vee Vee Vee	6 6 6 6 6			HONDA CB 1100 S X11 CBR 1100 XX Blackbird CB 1300 SC40	2000-2003 1999-2008 1998-2000
MD1137X MD1137XC MD1137CC VR1137BLK VR1137BLU VR1137RED	Front Front Front Front Front Front	Floating Floating Floating Floating Floating Floating	330 330 330 330 330 330	Gold Gold Chrome Black Blue Red	Plain Contour Contour Vee Vee Vee	6 6 6 6 6 6			HONDA CBR 900 RR2/RR3 Fireblade 954cc CBR 900 RRY/RR1 Fireblade 929cc	2002-2003 2000-2001
MD1139 MD1139C	Front Front	Floating Floating	296 296	Silver Silver	Plain Contour	9 9			HONDA CB 600 F Hornet CB 600 F2 Hornet S	2000-2006 2000-2004
MD1140RS	Front	Floating	310	Gold	Plain	9			HONDA CBR 250 R MC19	1988-1989
MD1141X MD1141XC MD1141CC VR1141BLK VR1141BLU VR1141RED VR1141CHRD	Front Front Front Front Front Front Front	Floating Floating Floating Floating Floating Floating Floating	296 296 296 296 296 296 296	Gold Gold Chrome Black Blue Red Red Camo	Plain Contour Contour Vee Vee Vee Vee	6 6 6 6 6 6 6			HONDA CBR 600 F Sport CBR 600 F3/F4/F5/F6 CB 900 F Hornet VTX 1800 C	2001-2002 2003-2006 2002-2007 2002-2008
MD1142RS	Front	Solid	256		Plain				HONDA NSR 50 R NSR 75 NS-1	1997-2000 1992-2000
MD1143	Rear	Solid	220		Plain				HONDA NSR 50 R NSR 75 NS-1	1997-2000 1992-2000
MD1144RS	Front	Floating	296	Gold	Plain	9			HONDA CB 250 F Hornet VTR 250 W MC33	1996-2001 1998-2007
MD1145LS MD1145RS	Front Front	Floating Floating	276 276	Gold Gold	Plain Plain	9 9			HONDA CBR 250 RR MC22	1990-1994
MD1146	Front	Solid	276		Plain				HONDA VF 1000 R	1984-1986
MD1147LS	Front	Solid	240		Plain				HONDA CLR 125 W City Fly CRM 125 R NX 125 Transcity	1999-2003 1990-1999 1989-1997
MD1148	Rear	Solid	316		Plain				HONDA GL 1500 F6C VTX 1800 C	2000-2003 2002-2008
MD1149 MD1149C	Rear Rear	Solid Solid	240 240		Plain Contour				HONDA NSS 300 D Forza ADV 350 NSS 350 D Forza FJS 400 Silverwing SW-T 400 FJS 400 FJS 600 AB SW-T 600 Silverwing FJS 600 Silverwing	2018-2021 2021-2024 2021-2024 2006-2008 2009-2016 2011-2016 2001-2006

STREETBIKE DISC BUYERS GUIDE

Disc No.	F/R	Type	Dia. mm	Hub Color	Profile	Bobbins	Left Bracket	Right Bracket	Model	Year
MD1149 MD1149C Contd.									FJS 600 Silverwing	2003-2009
MD1150RS	Front	Solid	276		Plain				HONDA XL 125 Varadero	2001-2016
MD1151	Rear	Solid	220		Plain				HONDA CBR 125 R CBR 125 RW XL 125 Varadero CBF 150 MB Unicorn CBF 150 SH CBR 150 R	2004-2006 2007-2016 2001-2016 2011-2012 2007-2010 2000-2003
MD1152X MD1152XC VR1152BLK VR1152BLU VR1152RED VR1152CHRD	Front Front Front Front Front	Floating Floating Floating Floating Floating	310 310 310 310 310	Gold Gold Black Blue Red Red Camo	Plain Contour Vee Vee Vee Vee	6 6 6 6 6 6			HONDA CBR 600 RR CB 1000 R CB 1000 RA ABS CB 1300 S CB 1300 SA CB 1300 Superfour CB 1300 Superfour CTX 1300 AE	2003-2024 2009-2015 2009-2016 2005-2009 2010-2011 2005-2009 2005-2009 2014-2019
MD1153X MD1153XC VR1153BLK VR1153BLU VR1153RED	Front Front Front Front	Floating Floating Floating Floating	310 310 310 310	Gold Gold Black Blue Red	Plain Contour Vee Vee Vee	6 6 6 6 6			HONDA CBR 1000 RR Fireblade	2004-2005
MD1154X MD1154XC	Front Front	Floating Floating	310 310	Gold Gold	Plain Contour	6 6			HONDA ST 1300 Pan European	2002-2017
MD1155RS	Front	Solid	296		Plain				HONDA CBF 500 CBF 500 A	2004 2004-2007
MD1156	Rear	Solid	240		Plain				HONDA CMX 300 Rebel CB 500 F CB 500 FA CB 500 X CBF 500 CBR 500 R CMX 500 Rebel NX 500 CB 600 F CB 600 FA Hornet CBF 600 N CBF 600 NA CBF 600 S CBR 600 F CB 650 FA CB 650 RAK CBR 650 F CBR 650 R CB 750 A Hornet R NNS 750 Forza X-ADV 750 DCT X-ADV 750 N CBF 1000 CBF 1000 F FA PEUGEOT Metropolis 400 All	2018-2021 2013-2020 2013-2021 2013-2023 2004-2007 2013-2021 2018-2024 2024 2007-2013 2007-2013 2004-2011 2004-2011 2004-2012 2011-2013 2014-2018 2019-2024 2014-2018 2019-2024 2022-2024 2021-2024 2017-2022 2018-2024 2006-2011 2010-2015 2017-2021
MD1157X MD1157XC	Front Front	Floating Floating	296 296	Gold Gold	Plain Contour	6 6			HONDA VFR 800 VFR 800 X Crossrunner XL 1000 VA Varadero	2002-2013 2011-2014 2004-2011
MD1158RS	Front	Solid	336	Gold	Plain				HONDA VTX 1300 S	2003-2008

DISC BUYERS GUIDE

STREETBIKE DISC BUYERS GUIDE

Disc No.	F/R	Type	Dia. mm	Hub Color	Profile	Bobbins	Left Bracket	Right Bracket	Model	Year
MD1159	Front	Solid	296		Plain				HONDA NV 400 NC40 Shadow Slasher VT 750 Black Widow VT 750 Black Widow VT 750 C Shadow VT 750 C2 Shadow Black Spirit VT 750 S VTX 1300 C/T VTX 1300 S	2000-2002 2001-2004 2007-2009 1997-2009 2010-2016 2010-2012 2003-2008 2003-2008
MD1159	Rear	Solid	296		Plain					
MD1160	Front	Floating	296	Silver	Plain	9			HONDA CBF 600 N CBF 600 S CBF 1000 CBF 1000 F FA CBF 1000 F CBF 1000	2008-2011 2008-2012 2006-2011 2010-2015 2010-2011 2007-2016
MD1161X MD1161XC MD1161CC VR1161BLK VR1161BLU VR1161RED	Front Front Front Front Front	Floating Floating Floating Floating Floating	320 320 320 320 320	Gold Gold Chrome Black Blue Red	Plain Contour Contour Vee Vee Vee	6 6 6 6 6 6			HONDA CBR 1000 RR Fireblade VTR 1000 SP1 VTR 1000 SP2	2006-2007 2000-2001 2002-2007
MD1162LS MD1162RS	Front Front	Floating Floating	296 296	Gold Gold	Plain Plain	9 9			HONDA CBR 750 FJ Superaero RC27	1988
MD1163 Billet	Rear	Solid	316		Plain				HONDA CTX 1300 AE ST 1300 Pan European	2014-2019 2002-2017
MD1164 MD1164C	Rear Rear	Solid Solid	256 256		Plain Contour				HONDA VFR 800 A	2002-2013
MD1165 MD1165C	Rear Rear	Solid Solid	256 256		Plain Contour				HONDA VFR 800	1998-2009
MD1166RS	Front	Solid	276		Plain				HONDA CBR 125 RW CBF 250 4/6 CB 300 R10	2011-2016 2004-2006 2010
MD1167RS	Front	Solid	336		Plain				HONDA VT 1100 Shadow	1994-1998
MD1168X MD1168XC	Front Front	Floating Floating	296 296	Gold Gold	Plain Contour	6 6			HONDA CB 600 F Hornet CBR 600 F	2007-2013 2011-2013
MD1169C MD1169CF	Front Front	Solid Floating	220 220	Gold	Contour Contour	6			HONDA NSR 50 V/X AC10-180/90 NSR 80	1997-1999 1988-1999
MD1170C	Rear	Solid	160		Contour				HONDA NSR 50 V/X AC10-180/90 NSR 80	1997-1999 1988-1999
MD1171X MD1171XC VR1171BLK VR1171BLU VR1171RED	Front Front Front Front Front	Floating Floating Floating Floating Floating	320 320 320 320 320	Gold Gold Black Blue Red	Plain Contour Vee Vee Vee	5 5 5 5 5			HONDA CBR 1000 RA Fireblade CBR 1000 RR Fireblade CBR 1000 RR-SP Fireblade	2009-2016 2008-2020 2014-2016
MD1172LS	Front	Solid	276		Plain				HONDA SW-T 400 FJS 400 FJS 600 Silverwing	2009-2016 2003-2016
MD1173 MD1173C VR1173	Rear Rear Rear	Solid Solid Solid	220 220 220		Plain Contour Vee				HONDA CBR 600 RR RA CBR 1000 Fireblade 8 Ball CBR 1000 RA Fireblade CBR 1000 RR Fireblade CBR 1000 RR-R Fireblade CBR 1000 RR-SP Fireblade	2009-2016 2020 2009-2016 2008-2020 2017-2020 2014-2016

STREETBIKE DISC BUYERS GUIDE

Disc No.	F/R	Type	Dia. mm	Hub Color	Profile	Bobbins	Left Bracket	Right Bracket	Model	Year
MD1173 MD1173C VR1173 Contd.									CBR 1000 RR-SP TT Edition CBR 1000 RR-SP1	2016 2017-2020
MD1174 MD1174C	Rear Rear	Solid Solid	256 256		Plain Contour				HONDA CB 1100 RS CB 1300 S CB 1300 Superfour	2017-2021 2005-2011 2005-2009
MD1175	Rear	Solid	276		Plain				HONDA VFR 1200 F VFR 1200 F DCT VFR 1200 X Crosstourer VFR 1200 X Crosstourer DCT	2010-2016 2010-2017 2012-2018 2012-2018
MD1176X	Front	Floating	320	Gold	Plain	6			HONDA CBR 1000 RR Fireblade VFR 1200 F VFR 1200 F DCT	2017-2020 2010-2016 2010-2017
MD1177 MD1177C	Rear Rear	Solid Solid	256 256		Plain Contour				HONDA CB 1000 R ABS	2009-2016
MD1178	Rear	Solid	240		Plain				HONDA CBF 1000	2006-2016
MD1179	Front	Solid	316		Plain				HONDA VT 1100 C2/3	1998-2005
MD1180X MD1180XC	Front Front	Floating Floating	296 296	Gold Gold	Plain Contour	6 6			HONDA CBR 250 R CB 300 F CB 300 R CBR 300 RA NSA 700 DN-01 680cc	2011-2013 2015-2020 2018-2023 2014-2022 2008-2011
MD1181 MD1181C	Rear Rear	Solid Solid	220 220		Plain Contour				HONDA CB 125 R - CBF125N CBR 250 R CB 300 F CBR 300 R	2018-2024 2011-2013 2015-2017 2014-2022
MD1182RS	Front	Solid	336		Plain				HONDA VTX 1300 C/T	2003-2008
MD1183 MD1183C VR1183 OSX1183	Front Front Front Front	Solid Solid Solid Floating	220 220 220 250		Plain Contour Vee Contour			6	HONDA MSX 125 Grom	2013-2021
MD1184 VR1184	Rear Rear	Solid Solid	190 190		Plain Vee				HONDA Monkey 125 M AC MSX 125 Grom ST 125 Dax	2018-2024 2013-2024 2022-2024
MD1185C	Rear	Solid	240		Contour				HONDA CTX 700 DE-DCT CTX 700 N-DCT NC 700 DC-700 Integra Scooter NC 700 S NC 700 SD NC 700 X NC 700 XD NC 750 D Integra Scooter DCT NC 750 S NC 750 X	2014-2021 2014-2021 2012-2014 2012-2013 2012-2014 2012-2013 2012-2014 2012-2014 2013-2021 2014-2018 2014-2023
MD1186C	Front	Solid	320		Contour				HONDA CTX 700 N-DCT NC 700 S NC 700 X NC 750 S NC 750 X	2014-2021 2012-2014 2012-2014 2014-2015 2014-2015

STREETBIKE DISC BUYERS GUIDE

Disc No.	F/R	Type	Dia. mm	Hub Color	Profile	Bobbins	Left Bracket	Right Bracket	Model	Year
MD1187C	Front	Solid	320		Contour				HONDA CTX 700 DE-DCT NC 700 DC-700 Integra Scooter NC 700 S NC 700 X NC 750 D Integra Scooter DCT NC 750 S NC 750 X ZERO ELECTRIC MOTORCYCLES Zero DS Zero DS II ZF14.4 Zero DS II ZF8.5/ZF11.4 Zero DS ZF13.0 Zero DSR ZF13.0 Zero DSR ZF14.4.0 Zero DSR ZF7.2 Zero FXS ZF3.3/ZF6.5 Zero S R Zero S ZF14.4 Zero S ZF6.0 Zero S ZF7.2 Zero S ZF8.5/ZF11.4 Zero SR ZF11.4 Zero SR ZF9.8/ZF13.0	2014-2021 2012-2014 2012-2014 2012-2014 2013-2021 2014-2018 2014-2023 2016-2018 2019-2021 2019-2021 2010-2011 2019-2021 2019-2021 2017-2018 2017-2020 2019-2020 2010-2011 2019-2020 2013-2014 2015-2018 2016-2018 2014-2015
MD1188X	Front	Floating	310	Gold	Plain	6			HONDA VFR 800 F VFR 800 X Crossrunner	2014-2019 2015-2019
MD1189	Rear	Solid	256		Plain				VFR 800 X Crossrunner	2011-2014
MD1190	Rear	Solid	256		Plain				HONDA VFR 800 F VFR 800 X Crossrunner	2014-2019 2015-2019
MD1191 MD1191C VR1191 OSX1191	Front Front Front Front	Solid Solid Solid Floating	220 220 220 250		Plain Contour Vee Contour	5			HONDA C 125 Super Cub MSX 125 Grom ABS Monkey 125 M AC ST 125 Dax	2019-2024 2018-2024 2018-2024 2022-2024
MD1193X	Front	Floating	310	Gold	Plain	6			HONDA NSS 750 Forza CB 1000 R NT 1100 DCT NT 1100 Sport Tourer	2021-2024 2017-2023 2022-2024 2022-2024
MD1194X MD1194XC	Front Front	Floating Floating	310 310	Gold Gold	Plain Contour	6 6			HONDA CB 650 R CBR 650 R	2019-2024 2019-2024
MD1195	Rear	Solid	190		Plain				HONDA TRX 500 Foreman Fourtrax	2012-2021
MD1196	Rear	Solid	256		Plain				HONDA XL 750 Transalp CRF 1000 Africa Twin	2022-2024 2016-2019
MD1197 Fitting Kit Required	Front	Solid	310		Plain				HONDA VFR 1200 Crosstourer Highlander T/DCT VFR 1200 X Crosstourer Inc DCT	2015-2016 2012-2018
MD1198X MD1198XC	Front Front	Floating Floating	310 310	Gold Gold	Plain Contour	6 6			HONDA XL 750 Transalp CRF 1000 Africa Twin	2022-2024 2016-2019
MD1199X	Front	Floating	320	Gold	Plain	6			HONDA CBR 1000 RR-R Fireblade CBR 1000 RR-SP TT Edition	2017-2020 2016
MD1200C	Front	Solid	320		Contour				HONDA CB 300 R CB 500 F CB 500 FA	2018-2023 2013-2020 2013-2021

STREETBIKE DISC BUYERS GUIDE

Disc No.	F/R	Type	Dia. mm	Hub Color	Profile	Bobbins	Left Bracket	Right Bracket	Model	Year
MD1200C Contd.									CB 500 X CB 500 XA CBR 500 R CBR 500 RA CB 650 F CB 650 FA CBR 650 F CBR 650 FA	2013-2018 2013-2018 2013-2020 2013-2021 2014-2016 2014-2018 2014-2016 2014-2018
MD1201C Left hand side	Front	Solid	320		Contour				HONDA CB 650 F CB 650 FA CBR 650 F CBR 650 FA	2014-2016 2014-2018 2014-2016 2014-2018
MD1202X	Front	Floating	330	Gold	Plain	6			HONDA CBR 1000 Fireblade 8 Ball CBR 1000 RR-R-SP	2020 2017-2024
MD1203	Rear	Solid	256		Plain				HONDA CB 1100 AD/E CB 1100 EX	2013-2014 2014-2021
MD1205	REAR	Solid	220		Plain		5mm		HONDA CBR 1000 RR-R SP Fireblade 30th Ann CBR 1000 RR-SP Fireblade	2022-2023 2020-2024
MD1206X MD1206XC	Front Front	Floating Floating	310 310	Gold Gold	Plain Contour	6 6			HONDA CRF 1100 Africa Twin Inc DCT CRF 1100 Africa Twin Adventure Sport ES	2019-2024 2019-2024
MD1210	Front	Solid	296		Contour				HONDA CB 125 R - CBF125N CB 300 R CB 500 F CB 500 Hornet CBR 500 R	2018-2024 2018-2023 2021-2023 2024 2021-2024
MD2001X MD2001XC MD2001CC VR2001BLK VR2001BLU VR2001RED GOLD	Front Front Front Front Front Front	Floating Floating Floating Floating Floating Floating	299 299 299 299 299 299	Gold Gold Chrome Black Blue Red	Plain Contour Contour Vee Vee Vee	6 6 6 6 6 6			APRILIA RST Futura 1000 DUCATI Supersport 900 907 IE YAMAHA TZR 250 3MA1 FZ 400 4YR1 FZR 400 R 3EN2 FZR 400 RR FZR 400 RR-SP XJR 400 FZR 600 FZR 600 R FZS 600 Fazer FZ 750 TDM 850 TRX 850 FJ 1200 3CV/3XW Type	2001-2004 1989-1990 1990-1991 1989 1996 1989 1992-1994 1994 1993-1999 1989-1993 1994-1995 1998-2003 1989-1991 1991-2001 1996-1999 1988-1995
MD2002 MD2002C VR2002	Rear Rear Rear	Solid Solid Solid	245 245 245	Gold Gold Gold	Plain Contour Vee				LAVERDA 650 All models 668 All models 750 All models VOXAN Black Magic Roadster Street Scrambler Café Racer 1000 Roadster 1000 VB1 Evo YAMAHA FZ 400 4YR1 FZ 400 N IKF/46K/33M SRX 400 SRX 400 1JL XJR 400	1994-1995 1996-1998 1998-2001 2004-2008 2002-2005 2003-2008 2006-2008 2006-2008 2003-2004 1996 1985 1990-1996 1985 1993-1999

STREETBIKE DISC BUYERS GUIDE

Disc No.	F/R	Type	Dia. mm	Hub Color	Profile	Bobbins	Left Bracket	Right Bracket	Model	Year
MD2002 MD2002C VR2002 Contd.									FZ 600 FZR 600 FZR 600 R FZS 600 Fazer SRX 600 XJ 600 N XJ 600 S Diversion YZF 600 R Thundercat FZR 750 R OW01 YZF 750 R/SP TDM 850 TRX 850 TDM 900 YZF 1000 R Thunderace	1987-1988 1989-1993 1994-1995 1998-2003 1985-1990 1995-2003 1992-2003 1996-2003 1989-1990 1993-1997 1991-2001 1996-1999 2002-2014 1996-2001
MD2003X MD2003XC VR2003BLK VR2003BLU VR2003RED	Front Front Front Front Front	Floating Floating Floating Floating Floating	320 320 320 320 320	Gold Gold Black Blue Red	Plain Contour Vee Vee Vee	6 6 6 6 6			APRILIA MX 125 RS 125 Tuono 125 RS 660 8V ABS RS 660 8V Tuono ABS Dorsoduro 900 Shiver 900 RSV4 1000 RR RSV4 Factory RSV4 Factory APRC RSV4 R Tuono 1100 V4 Factory Tuono 1100 V4 RR Tuono 1100 V4R Caponord 1200 Dorsoduro 1200 Dorsoduro 1200 ATC BENELLI TNT 300 Tornado T 302 R 302 S BN302 Leoncino 500 Leoncino 500 Trail TRK 502 X BN600 GT Tornado T 600 TRK 702 X Leoncino 800 TRK 800 R 1130 Tornado Tre TNT 1130 R Tornado Naked Tre TRE-K 1130 Amazonas BIMOTA DB5 All Models DB6 Delirio SB8K Gobert DB6R Delirio 1100cc DUCATI Supersport 400 Supersport 600 Multistrada 620 Dark 748 Biposta 748 SP 750 Monster 750 City/City Dark Monster 750 E Monster 750 IE 916 SPS 996cc LAVERDA 650 All models 668 All models 750 All models MOTO GUZZI Griso 1200 8V Norge 1200 GT Sport 1200 Stelvio 1200 Stelvio 1200 NTX	2004-2006 1992-2005 2003-2004 2020-2024 2020-2024 2017-2021 2015-2021 2015-2018 2009-2010 2011-2014 2010-2014 2015-2016 2015-2016 2011-2014 2013-2016 2011-2012 2011-2014 2016-2018 2017-2020 2018-2020 2015-2018 2017-2024 2017-2024 2017-2024 2014-2017 2020-2023 2022-2024 2020-2024 2021-2023 2009-2012 2013-2016 2007-2015 2006-2007 2007 2006 2008 1993-1997 1991-1997 2006 1995-1998 1995-1997 1999 1999 1996-1997 1996-1998 1997-1998 1994-1995 1996-1998 1998-2001 2007-2012 2008-2017 2008-2013 2011-2015 2011-2015

STREETBIKE DISC BUYERS GUIDE

Disc No.	F/R	Type	Dia. mm	Hub Color	Profile	Bobbins	Left Bracket	Right Bracket	Model	Year
MD2003X MD2003XC VR2003BLK VR2003BLU VR2003RED Contd.									California 1400 Custom California 1400 Touring SE YAMAHA TDR 125 3HS1/3XD0/3SH3/3XD1 TDR 125 R Lightburner TZR 125 R 4DL1/4DL2 TZR 125 RR 4DL3 FZR 250 TDR 250 TZR 250 1KT/2AW Japan TZR 250 TZR 250 R V-Twin TZR 250 RS V-Twin TZR 250 SP SRX 400 SRX 600 3SX SZR 660 FZR 750 Genesis YZF 750 R/SP FZR 1000 EX UP FZR 1000 Genesis XJR 1200 XJR 1300	2013-2015 2015-2017 1989-1993 1993-1994 1991-1993 1994-1995 1987 1988-1992 1987 1987-1992 1991-1993 1992-1994 1990 1990-1996 1990 1996-1997 1987 1993-1997 1989-1995 1987-1988 1995-1998 1998-1999
MD2008	Rear	Solid	210		Plain				YAMAHA FZR 750 R OW01	1989-1990
MD2009LS MD2009RS	Front Front	Floating Floating	320 320	Silver Silver	Plain Plain	9 9			YAMAHA FZR 750 R OW01	1989-1990
MD2011 MD2011C VR2011	F/R F/R F/R	Solid Solid Solid	267 267 267		Plain Contour Vee				NORTON Commander Rotary YAMAHA RZ 250 R RZ 250 RR 5IL RD 350 F/F2 & N models RD 350 R RD 350 YPVS FZ 400 N IKF/46K/33M SRX 400 1JL XS 400 XP 500 T-Max All Models XZ 550 FZ 600 SRX 600 XJ 600 YX 600 Radian XJ 650 LK Seca XJ 650 Turbo FZX 700 Fazer FZ 750 FZR 750 Genesis FZX 750 XV 750 Virago XJ 900 F XJ 900 S Diversion FZR 1000 EX UP FZR 1000 Genesis FZS 1000 Fazer MT-01 1670cc XV 1000 SE Virago XV 1000 Virago BT 1100 Bulldog XV 1100 Virago XJR 1200 XJR 1300 All Models	1990 1983-1984 1984 1985-1992 1992-1995 1983-1984 1985 1985 1982 2001-2011 1982-1984 1987-1988 1985-1987 1984-1991 1986-1990 1983 1982 1986-1987 1987-1991 1987 1987 1992-1993 1987-1994 1995-2003 1989-1995 1987-1988 2001-2005 2005-2009 1988 1986 2002-2006 1989-1999 1995-1998 1998-2016
MD2012	Front	Solid	320		Plain				YAMAHA XJ 900 S Diversion	1995-2003
MD2019LS MD2019RS	F/R F/R	Floating Floating	266 266	Silver Silver	Plain Plain	9 9			YAMAHA RD 250 LC RZ 250 4L3 SR 250 Classic/21L XS 250	1980-1983 1982 1996-2000 1978-1981

DISC BUYERS GUIDE

STREETBIKE DISC BUYERS GUIDE

Disc No.	F/R	Type	Dia. mm	Hub Color	Profile	Bobbins	Left Bracket	Right Bracket	Model	Year
MD2019LS MD2019RS Contd.									XV 250 Virago RD 350 LC XS 360 C XS 400 XJ 550 XJ 650 XJ 650 RJ Seca XV 1000 TR1	1989-1994 1980-1982 1976 1979-1981 1981-1984 1980-1984 1982 1981
MD2020LS MD2020RS	Front Front	Floating Floating	282 282	Silver Silver	Plain Plain	9 9			YAMAHA FZR 400 Genesis 1WG	1986
MD2021 MD2021C VR2021	Rear Rear Rear	Solid Solid Solid	210 210 210		Plain Contour Vee				YAHAMA RACING CALIPER TZ 250 TDR 125 R Lightburner TZR 125 TZR 125 R 4DL1/4DL2 TZR 125 RR 4DL3 TZR 150 R SDR 200 2TV FZR 250 FZR 250 R FZX 250 3YX Zeal RI-Z 250cc/3XC TDR 250 TZR 250 1KT/2AW Japan TZR 250 2MA/2XW1 Europe TZR 250 3MA1 TZR 250 R V-Twin TZR 250 RS V-Twin TZR 250 SP TZR 250 SPR V-Twin FZR 400 3EN1 FZR 400 Genesis 1WG FZR 400 R 3EN2 FZR 400 RR 3TJ1 FZR 400 RR 4DX FZR 400 RRSP 3TJ2/6/7 ITJ FZR 400 RSP 2TK-EXUP SZR 660	1991 1993-1994 1990-1995 1991-1993 1994-1995 2000 1987-1989 1987 1990 1991-1992 1990-1992 1988-1992 1987 1987-1992 1989-1990 1991-1993 1992-1994 1990 1995 1988 1986 1989 1994 1992 1994 1987 1996-1997
MD2022LS MD2022RS	Front Front	Floating Floating	282 282	Gold Gold	Plain Plain	9 9			YAMAHA TZR 125 FZR 250 R RI-Z 250cc/3XC FZR 400 3EN1 FZR 400 RSP 2TK-EXUP	1993-1995 1990 1990-1992 1988 1987
MD2023LS MD2023RS VMD2023	Front Front Front	Floating Floating Floating	299 299 299	Silver Silver Black	Plain Plain Plain	9 9 9			YAMAHA SR 500 XV 535 Virago XJ 550 Maxim XJ 550 Seca XJ 650 LH Midnight XJ 650 Maxim XJ 750 XJ 750 Seca	1978-1982 1988-1994 1981-1983 1981-1983 1981 1980-1983 1982-1984 1981-1983
MD2024 VMD2024	Front Front	Floating Floating	299 299	Silver Black	Plain Plain	9 9			YAMAHA XS 500 C/D XS 650 SE XV 750 SE XS 850 XS 1100 XS 1100 S	1978-1979 1979-1981 1981 1980 1978-1980 1980-1981
MD2025LS MD2025RS VMD2025 SILVER	Front F/R F/R	Floating Floating Floating	266 266 266	Silver Silver Black	Plain Plain Plain	9 9 9			YAMAHA RD 250 E/F RD 400 E/F XS 500 C/D XS 650 XS 650 SE XS 750 XS 750 SE	1978-1979 1978-1979 1978-1979 1977-1981 1979-1980 1977-1979 1979-1980

STREETBIKE DISC BUYERS GUIDE

Disc No.	F/R	Type	Dia. mm	Hub Color	Profile	Bobbins	Left Bracket	Right Bracket	Model	Year
MD2031LS	Front	Solid	320		Plain				YAMAHA XJ 600 N XJ 600 S Diversion	1995-1997 1992-1997
MD2046	Front	Floating	299	Silver	Plain	9			YAMAHA FJ 1200 A	1991-1995
MD2053RS	Front	Solid	245		Plain				YAMAHA RD 125 LC MK2/3 RZ 125 1GV TZR 125 2RK/3PC1	1985-1987 1985 1987-1989
MD2056RS	Front	Solid	267		Plain				YAMAHA TZR 125 3PC2/3PC3 SDR 200 2TV SRX 250 51Y/52E/1JA	1990-1992 1987-1989 1985
MD2067	Front	Solid	280		Plain				MBK TZR 50 X-Power YAMAHA TZR 50 Thunderkid XV 125 Virago XVS 125 Dragstar SRV 250 Soulfultwin/Renaissa 4DN1-6 XV 250 S Virago XVS 250 Dragstar XV 750 Virago XV 1100 Virago	2000 1997-2000 1997-2000 2000-2004 1992-1997 1995-2000 2001-2004 1994-1997 1994-1999
MD2068 Billet	F/R	Solid	282		Plain				YAMAHA FJ 1100 FJ 1200 FJ 1200 A FJ 1200 ITX Type V-Max 12	1984-1985 1988-1995 1991-1995 1986-1987 1991-2003
MD2069 Billet MD2069 Billet	Rear Front	Solid Solid	267 267		Plain Plain				NORTON Commander Rotary YAMAHA RD 500 LC RVZ 500 R 51X FZX 700 Fazer FZ 750 FZX 750 XJ 900 F	1990 1984-1986 1985 1986-1987 1985-1986 1987 1983-1994
MD2070 Billet	Rear	Solid	245		Plain				YAMAHA RD 500 LC RVZ 500 R 51X	1984-1986 1985
MD2074X MD2074XC MD2074CC VR2074BLK VR2074BLU VR2074RED VR2074CHBL	Front Front Front Front Front Front Front	Floating Floating Floating Floating Floating Floating Floating	299 299 299 299 299 299 299	Gold Gold Chrome Black Blue Red Dark Blue Camo	Plain Contour Contour Vee Vee Vee Vee	6 6 6 6 6 6 6			YAMAHA XJ 600 N XJ 600 S Diversion YZF 600 R Thundercat YZF-R6 TDM 900 XV 950 R - 2DE FZS 1000 Fazer YZF 1000 R Thunderace YZF-R1 BT 1100 Bulldog FJR 1300 5JW XJR 1300 All Models XVS 1300 Midnight Star XV 1700 PCR Road Star Warrior XV 1900 A Midnight Star	1998-2003 1998-2003 1996-2003 1999-2002 2002-2014 2014-2020 2001-2005 1996-2001 1998-2003 2002-2006 2001-2004 1999-2016 2007-2016 2003-2005 2006-2008
MD2075 Billet	Rear	Solid	280		Plain				YAMAHA GTS 1000	1993-1999

DISC BUYERS GUIDE

STREETBIKE DISC BUYERS GUIDE

Disc No.	F/R	Type	Dia. mm	Hub Color	Profile	Bobbins	Left Bracket	Right Bracket	Model	Year
MD2076	Front	Solid	298		Plain				YAMAHA SR 400 2RD XVS 400 XV 535 S Virago XVS 650 A Dragstar Classic XVS 650 Dragstar XVS 1100 A Dragstar Classic XVS 1100 Dragstar XVZ 13 Royal Star Inc Tour Classic XVZ 1300 TF Venture Star XV 1600 A Wildstar	2014-2017 1996 1995-2003 1998-2007 1997-2004 2000-2006 1999-2004 1996-2001 1999-2001 1999-2004
MD2077	Rear	Solid	203		Plain				MBK TZR 50 X-Power YAMAHA TZR 50 Thunderkid	2000 1997-2000
MD2078 Billet	Rear	Solid	320		Plain				YAMAHA XVZ 13 Royal Star Inc Tour Classic XVZ 1300 TF Venture Star	1996-2001 1999-2001
MD2081 BILLET	F/R	Solid	298		Plain				YAMAHA XVZ 12 TD	1985
MD2082X MD2082XC MD2082CC VR2082BLK VR2082BLU VR2082RED	Front Front Front Front Front Front	Floating Floating Floating Floating Floating Floating	299 299 299 299 299 299	Gold Gold Chrome Black Blue Red	Plain Contour Contour Vee Vee Vee	6 6 6 6 6 6			YAMAHA FZ6 FZ6 Fazer - Half Fairing FZ6 Fazer S2 - Half Fairing FZ6 NS FZ6 S2 XJ6-F Diversion 600cc Faired XJ6-N Diversion 600cc XJ6-S Diversion 600cc Top Fairing XJ6-SP Diversion 600cc YZF-R6 MT-03 Tracer 900 GT Tracer 900 GT+ XSR 900GP MTM 850	2004-2007 2004-2007 2007-2009 2005-2006 2007-2009 2010-2015 2013-2015 2009-2015 2013 2003-2004 2006-2012 2018-2023 2023-2024 2024
MD2083	Front	Floating	320	Gold	Plain	9			YAMAHA YZF-R7 750 OW02	1999-2001
MD2084 MD2084C VR2084 MD2085LS	Rear Rear Rear Front	Solid Solid Solid Solid	220 220 220 267		Plain Contour Vee Plain				YAMAHA YZF-R6 YZF-R1 YAMAHA SR 125	1999-2002 2002-2003 1997-2003
MD2086 MD2086C VR2086	Rear Rear Rear	Solid Solid Solid	245 245 245		Plain Contour Vee				YAMAHA YZF-R7 750 OW02 YZF-R1	1999-2001 1998-2001
MD2087LS	Front	Solid	282		Plain				YAMAHA XP 500 T-Max	2001-2003
MD2088 Billet	Rear	Solid	320		Plain				YAMAHA XV 1600 A Wildstar	1999-2004
MD2089X MD2089XC MD2089CC VR2089BLK VR2089BLU VR2089RED	Front Front Front Front Front Front	Floating Floating Floating Floating Floating Floating	320 320 320 320 320 320	Gold Gold Chrome Black Blue Red	Plain Contour Contour Vee Vee Vee	6 6 6 6 6 6			YAMAHA XVS 950 A Midnight Star FJR 1300 A FJR 1300 AE/ES FJR 1300 AS	2009-2013 2003-2020 2014-2021 2006-2020
MD2091 MD2091C VR2091	Rear Rear Rear	Solid Solid Solid	220 220 220		Plain Contour Vee				YAMAHA YZF-R6 MT-10 MTN1000 MT-10 SP MTN 1000D MT-10 Tourer Edition YZF-R1	2003-2022 2016-2024 2017-2024 2018-2020 2004-2014

STREETBIKE DISC BUYERS GUIDE

Disc No.	F/R	Type	Dia. mm	Hub Color	Profile	Bobbins	Left Bracket	Right Bracket	Model	Year
MD2092 MD2092C VR2092	Rear Rear Rear	Solid Solid Solid	282 282 282		Plain Contour Vee				YAMAHA YZF-R1 XVS 1100 A Dragstar Classic XVS 1100 Dragstar FJR 1300 5JW FJR 1300 A XV 1700 PCR Road Star Warrior	2004-2006 2000-2006 1999-2004 2001-2004 2003-2005 2003-2005
MD2093 MD2093C VR2093	F/R F/R F/R	Solid Solid Solid	245 245 245		Plain Contour Vee				YAMAHA FZ6 FZ6 Fazer - Half Fairing FZ6 Fazer S2 - Half Fairing FZ6 NS FZ6 S2 MT-03 660cc FZ1 2D1 1000cc FZ1 Fazer FZ1 N/NA	2004-2007 2004-2007 2007-2009 2005-2006 2007-2009 2006-2012 2006-2009 2006-2015 2010-2015
MD2094X MD2094XC MD2094CC VR2094BLK VR2094BLU VR2094RED	Front Front Front Front Front Front	Floating Floating Floating Floating Floating Floating	320 320 320 320 320 320	Gold Gold Chrome Black Blue Red	Plain Contour Contour Vee Vee Vee	6 6 6 6 6 6			YAMAHA YZF-R1	2004-2006
MD2095X MD2095XC MD2095CC VR2095BLK VR2095BLU VR2095RED	Front Front Front Front Front Front	Floating Floating Floating Floating Floating Floating	310 310 310 310 310 310	Gold Gold Chrome Black Blue Red	Plain Contour Contour Vee Vee Vee	6 6 6 6 6 6			YAMAHA YZF-R6 Fazer 8 S-800cc Fazer 8 SA-800cc FZ 8 N-800cc FZ 8 NA-800cc XT 1200 Z Super Tenere XT 1200 ZE Super Tenere	2005-2007 2011-2015 2011-2015 2011-2015 2011-2015 2010-2018 2014-2018
MD2097RS	Front	Solid	245		Plain				YAMAHA YBR 125 ED 3D91	2005-2006
MD2098 MD2098C 5 Bolt Fixing	Front	Floating	267	Gold	Plain	5			YAMAHA YP 400 X-Max All Models XP 500 T-Max All Models XP 530 A T-Max All Models T-Max 560 Inc Tech Max	2013-2021 2004-2016 2015-2020 2019-2024
MD2099	Rear	Solid	320		Plain				YAMAHA XV 1900 A Midnight Star	2006-2016
MD2100 MD2100C VR2100	Rear Rear Rear	Solid Solid Solid	282 282 282		Plain Contour Vee				YAMAHA FJR 1300 A, AE, AS ES	2006-2021
MD2101X MD2101XC VR2101BLK VR2101BLU VR2101RED	Front Front Front Front Front	Floating Floating Floating Floating Floating	320 320 320 320 320	Gold Gold Black Blue Red	Plain Contour Vee Vee Vee	6 6 6 6 6			YAMAHA FZ1 2D1 1000cc FZ1 Fazer FZ1 N/NA	2006-2009 2006-2015 2010-2015
MD2102X MD2102XC MD2102CC VR2102BLK VR2102BLU VR2102RED	Front Front Front Front Front Front	Floating Floating Floating Floating Floating Floating	310 310 310 310 310 310	Gold Gold Chrome Black Blue Red	Plain Contour Contour Vee Vee Vee	6 6 6 6 6 6			YAMAHA YZF-R1	2007-2014
MD2103 MD2103C VR2103	Rear Rear Rear	Solid Solid Solid	298 298 298		Plain Contour Vee				YAMAHA XVS 950 A Midnight Star XVS 1300 Midnight Star XVS 1300 CU Custom	2009-2013 2007-2019 2014-2017
MD2104RS	Front	Solid	245		Plain				HONLEY HD2 125 HD3 125 HD3 SE 125 HD1 125	2016-2017 2016-2017 2016-2017 2014-2015

STREETBIKE DISC BUYERS GUIDE

Disc No.	F/R	Type	Dia. mm	Hub Color	Profile	Bobbins	Left Bracket	Right Bracket	Model	Year
MD2104RS Contd.									LEXMOTO Aspire 125 TD125-43 YAMAHA YBR 125 YBR 125 Custom YS 125	2012-2016 2007-2016 2008-2016 2017-2021
MD2105X MD2105XC VR2105BLK VR2105BLU VR2105RED	Front Front Front Front Front	Floating Floating Floating Floating Floating	310 310 310 310 310	Gold Gold Black Blue Red	Plain Contour Vee Vee Vee	6 6 6 6 6			YAMAHA YZF-R6	2008-2016
MD2106RS	Front	Solid	280		Plain				YAMAHA YBR 250 5D11	2007-2011
MD2107 MD2107C	Front Front	Floating Floating	267 267	Black Black	Plain Contour	6 6			YAMAHA XP 500 T-Max	2008-2011
MD2108C	Rear	Floating	298	Gold	Contour	6			YAMAHA XV 1700 V-Max	2009-2021
MD2109XC	Front	Floating	320	Gold	Contour	6			YAMAHA XV 1700 V-Max	2009-2021
MD2110LS	Front	Solid	290		Plain				YAMAHA YZF-R 125	2008-2013
MD2111	Rear	Solid	230		Plain				YAMAHA YZF-R 125	2008-2013
MD2112X MD2112XBLK	Front Front	Floating Floating	320 320	Black Black	Plain Plain	6 6			KTM 1290 Super Duke 1290 Super Duke GT 1290 Super Duke R 1290 Super Duke R Evo 1290 Super Duke R SE 1290 Super Duke RR Brabus 1300R 1390 Super Duke R 1390 Super Duke R Evo YAMAHA YZF-R1 SP 4B1	2014-2023 2016-2024 2020-2023 2022-2023 2016-2017 2021-2022 2022-2023 2024 2024 2006
MD2113	Rear	Solid	220		Plain				MBK TZR 50 X Power YAMAHA TZR 50	2003-2010 2003-2016
MD2115C	Rear	Solid	280		Contour				YAMAHA XT 1200 Z Super Tenere XT 1200 ZE Super Tenere XT 1200 ZE Super Tenere Raid Edition	2010-2018 2014-2018 2018
MD2116 MD2116C VR2116	Rear Rear Rear	Solid Solid Solid	267 267 267		Plain Contour Vee				YAMAHA Fazer 8 S-800cc Fazer 8 SA-800cc FZ 8 N-800cc FZ 8 NA-800cc	2011-2015 2011-2015 2011-2015 2011-2015
MD2117 VR2117	Rear Rear	Solid Solid	245 245		Plain Vee				YAMAHA XJ6-F Diversion 600cc Faired XJ6-N Diversion 600cc XJ6-S Diversion 600cc Top Fairing XJ6-SP Diversion 600cc	2010-2015 2013-2015 2009-2015 2013
MD2118	Rear	Solid	220		Plain				YAMAHA YZF-R1 SP 4B1	2006

STREETBIKE DISC BUYERS GUIDE

Disc No.	F/R	Type	Dia. mm	Hub Color	Profile	Bobbins	Left Bracket	Right Bracket	Model	Year
MD2119X MD2119XC VR2119BLK VR2119BLU VR2119RED	Front Front Front Front Front	Floating Floating Floating Floating Floating	298 298 298 298 298	Black Black Black Blue Red	Plain Contour Vee Vee Vee	6 6 6 6 6			YAMAHA MT-03 ABS YZF-R3 YZF-R7 MT-09 All Models Tracer 900 XSR 900 Abarth MTM 850 XSR 900 MTM 850	2016-2024 2015-2024 2022-2024 2014-2024 2015-2023 2017-2018 2016-2024
MD2120 MD2120C VR2120	Rear Rear Rear	Solid Solid Solid	245 245 245		Plain Contour Vee				YAMAHA MT-07 MT-07 A Moto Cage MT-07 A Moto Cage Tenere 700 Explore XTZ Tenere 700 Extreme XTZ Tenere 700 Rally Edition XTZ Tenere 700 World Raid XTZ Tenere 700 World Rally XTZ Tenere 700 XTZ Tracer 700 Tracer 700 GT XSR 700 XSR 700 Legacy XSR 700 X Tribute YZF-R7 MT-09 All Models Tracer 900 Tracer 900 GT XSR 900 Abarth MTM 850 XSR 900 MTM 850 XSR 900GP MTM 850	2014-2024 2014-2016 2015-2017 2024 2024 2018-2024 2023-2024 2024 2018-2023 2016-2024 2019-2024 2016-2024 2022-2024 2019-2022 2022-2024 2014-2024 2015-2023 2018-2023 2017-2018 2016-2024 2024
MD2121X	Front	Floating	290	Gold	Plain	6			YAMAHA MT 125 YZF-R 125 YZF-R 125 A YZF-R 125 Monster Energy MotoGP Edition	2014-2022 2014-2022 2014-2018 2019-2020
MD2122	Rear	Solid	230		Plain				YAMAHA MT 125 YZF-R 125 YZF-R 125 A YZF-R 125 Monster Energy MotoGP Edition	2014-2019 2014-2016 2014-2018 2019-2020
MD2123 MD2123C VR2123	Rear Rear Rear	Solid Solid Solid	220 220 220		Plain Contour Vee				YAMAHA MT 125 XSR 125 YZF-R 125 MT-03 ABS YZF-R3	2020-2022 2021-2022 2019-2022 2016-2024 2015-2024
MD2124X MD2124XC VR2124BLK VR2124BLU VR2124RED VR2124CHRD	Front Front Front Front Front Front	Floating Floating Floating Floating Floating Floating	320 320 320 320 320 320	Gold Gold Black Blue Red Red Camo	Plain Contour Vee Vee Vee Vee	6 6 6 6 6 6			YAMAHA YZF-R6 MT-10 All Models YZF-R1 Inc 60th Anniversary Edition YZF-R1 M	2017-2022 2016-2024 2015-2024 2015-2024
MD2125 MD2125C VR2125	Rear Rear Rear	Solid Solid Solid	220 220 220		Plain Contour Vee				YAMAHA YZF-R1 Inc 60th Anniversary Edition YZF-R1 M	2015-2024 2015-2024
MD2126X MD2126XC VR2126BLK VR2126BLU VR2126RED	Front Front Front Front Front	Floating Floating Floating Floating Floating	320 320 320 320 320	Gold Gold Black Blue Red	Plain Contour Vee Vee Vee	6 6 6 6 6			YAMAHA MT-01 1670cc	2005-2006

STREETBIKE DISC BUYERS GUIDE

Disc No.	F/R	Type	Dia. mm	Hub Color	Profile	Bobbins	Left Bracket	Right Bracket	Model	Year
MD2127X MD2127XC VR2127BLK VR2127BLU VR2127RED	Front Front Front Front Front	Floating Floating Floating Floating Floating	282 282 282 282 282	Gold Gold Black Blue Red	Plain Contour Vee Vee Vee	6 6 6 6 6			YAMAHA MT-07 MT-07 A Moto Cage Tenere 700 Explore XTZ Tenere 700 Extreme XTZ Tenere 700 Rally Edition XTZ Tenere 700 World Raid XTZ Tenere 700 World Rally XTZ Tenere 700 XTZ Tracer 700 Tracer 700 GT XSR 700 XSR 700 Legacy XSR 700 X Tribute	2014-2024 2014-2017 2024 2024 2018-2024 2023-2024 2024 2018-2023 2016-2024 2019-2024 2016-2024 2022-2024 2019-2022
MD2128X MD2128XC VR2128BLK VR2128BLU VR2128RED	Front Front Front Front Front	Floating Floating Floating Floating Floating	282 282 282 282 282	Gold Gold Black Blue Red	Plain Contour Vee Vee Vee	6 6 6 6 6			YAMAHA MT-01 1670cc MT-01 S 1670cc	2007-2009 2009
MD2129X MD2129XC	Front Front	Floating Floating	298 298	Gold Gold	Plain Contour	6 6			YAMAHA V-Max 12	1993-2003
MD2130C	Rear	Solid	298		Contour				YAMAHA SCR 950 XVS 950XR-A XV 950 CU - 1XC1 XV 950 R - 2DE XV 950 Racer XV 950 XVS 950	2017-2021 2014-2016 2014-2020 2015-2016 2014
MD2133	Front	Floating	260	Silver	Plain	9			YAMAHA RACING CALIPER TZ 250	1997-2001
MD3001	Front	Solid	290		Plain				SUZUKI GSXR 400 H GSX 600 FJ GN72A	1987 1988
MD3002 MD3002C VR3002	Rear Rear Rear	Solid Solid Solid	250 250 250		Plain Contour Vee				SUZUKI GSF 250 Bandit GJ74A GSX 250 Across GSX 250 SSM Katana GJ76A GSF 400 Bandit GSR 400 K6 GSX 400 GK74A GSX 400 GK77A Katana GSX 400 GK79A Impulse Type S GSX 400 X GK79A Impulse GS 500 GSX 600 FJ GN72A GSX 600 GN72A GSX 750 GR78A	1978-1981 1995-2000 1990-1998 1989-1995 2006 1988-1990 1992 1994-1996 1999 1989-2008 1988 1989-1997 1989-1997
MD3003X MD3003XC VR3003BLK VR3003BLU VR3003RED	Front Front Front Front Front	Floating Floating Floating Floating Floating	290 290 290 290 290	Gold Gold Black Blue Red	Plain Contour Vee Vee Vee	6 6 6 6 6			SUZUKI GSX 250 R RK GJ73A RGV 250 J RGV 250 K/L VJ21A GSF 400 Bandit GSX 400 FS Inazuma GSX 400 GK74A GSX 400 GK77A Katana GSX 400 GK79A Impulse Type S GSX 400 X GK79A Impulse GSXR 400 GK73A RF 400 GK78A SV 400 GSF 600 Bandit GSF 600 Faired Bandit GSX 600 GSX 600 GN72A RF 600 GN76A SV 650 SV 650 Faired GSX 750	1988 1988 1989-1990 1989-1997 2000 1988-1990 1992 1994-1996 1999 1988-1990 1993-1997 1999-2002 1995-2004 1996-2004 1998-2002 1989-1997 1993-1997 1999-2002 1999-2002 1989-2002

STREETBIKE DISC BUYERS GUIDE

Disc No.	F/R	Type	Dia. mm	Hub Color	Profile	Bobbins	Left Bracket	Right Bracket	Model	Year
MD3004	Front	Floating	310	Silver	Plain	6			SUZUKI GSXR 1100 GV74B	1986-1988
MD3005	Front	Floating	300	Silver	Plain	6			SUZUKI GSXR 750 F/G/H GR75A GSXR 750 RG	1985-1987 1986
MD3006X MD3006XC VR3006BLK VR3006BLU VR3006RED	Front Front Front Front Front	Floating Floating Floating Floating Floating	310 310 310 310 310	Gold Gold Black Blue Red	Plain Contour Vee Vee Vee	6 6 6 6 6			SUZUKI GSF 250 Bandit GSX 250 Across GSX 250 SSM Katana GJ76A GSF 400 M/N/P Bandit SV 400 VK53A GS 500 RF 900 R GS 1200 GV78A GSF 1200 Bandit GSF 1200 Faired Bandit GSX 1200 Inazuma	1978-1981 1995-2000 1990-1998 1991-1995 1998 1996-2008 1994-1999 2001 1996-2005 1996-2005 1998-2001
MD3007X MD3007XC VR3007BLK VR3007BLU VR3007RED	Front Front Front Front Front	Floating Floating Floating Floating Floating	310 310 310 310 310	Gold Gold Black Blue Red	Plain Contour Vee Vee Vee	6 6 6 6 6			SUZUKI TV 250 VJ21A Wolf GSXR 750 GSXR 750 WR/WS GSXR 1100	1988-1990 1988-1993 1994-1995 1989-1996
MD3008 MD3008C VR3008	Rear Rear Rear	Solid Solid Solid	240 240 240		Plain Contour Vee				SUZUKI GSX 400 FSV/FSK1 GK7B Inazuma RF 400 GK78A SV 400 SV 400 VK53A GSF 600 Bandit GSF 600 Faired Bandit GSX 600 RF 600 GN76A GSF 650 Faired Bandit GSF 650 Bandit SV 650 SV 650 Faired GSX 750 GSX 750 W/X/Y/K1 GSXR 750 GSXR 750 WR/WS RF 900 R GSXR 1100 GU75A GSXR 1100 GV73B GS 1200 GV78A GSF 1200 Bandit GSF 1200 Faired Bandit GSX 1200 Inazuma GSX 1300 Hayabusa	2000 1993-1997 1999-2002 1998 1995-2004 1996-2004 1998-2004 1993-1997 2005-2006 2005-2006 1999-2002 1999-2002 1998-2006 1998-2003 1988-1993 1994-1995 1994-1999 1993-1996 1989-1992 2001 1996-2005 1996-2005 1998-2001 1999-2007
MD3009	Rear	Solid	220		Plain				SUZUKI GSXR 750 F/G/H GR75A GSXR 750 RG GSXR 1100 GV74B	1985-1987 1986 1986-1988
MD3010LS	Front	Solid	162		Plain				SUZUKI RB 50 H GSXR 50	1987
MD3014LS MD3014RS VMD3014	F/R F/R F/R	Floating Floating Floating	276 276 276	Silver Silver Black	Plain Plain Plain	6 6 9			SUZUKI GN 250 NJ41A GS 250 TT/TX GSX 250 GT 250 RG 250 WD Gamma RG 250 WE GT 380 GN 400 TT GS 400 B/C GS 400 LX & TX GSX 400 ET/EX/EZ GS 425 EN GS 450 GS 550	1985-1997 1973-1978 1992-1996 1989 1983 1984 1973-1977 1980 1977-1978 1981 1981-1983 1979 1980-1988 1977-1979

STREETBIKE DISC BUYERS GUIDE

Disc No.	F/R	Type	Dia. mm	Hub Color	Profile	Bobbins	Left Bracket	Right Bracket	Model	Year
MD3014LS MD3014RS VMD3014 Contd.									GS 550 ET GR 650 Tempter GS 650 XN 85 Turbo GS 750 GSX 750 E GSX 750 Katana FS75X-114747- GSX 750 S/SS GS75X-106815- GSX 750 SE Katana GR72A GS 850 DL 900 Migrator GS 1000 GS 1000 ET GS 1000 GT/GX GSX 1000 SZ Katana GS 1100 GZ GSX 1100 ESD GSX 1100 ET/EX/EZ GSX 1100 SZ/SD Katana	1980-1984 1983 1981-1983 1983 1977-1980 1980-1981 1984 1984 1985 1979-1985 2014-2017 1978-1980 1981 1981-1982 1982 1982 1983 1980-1982 1982-1983
MD3017LS	Front	Solid	260		Plain				SUZUKI LS 650 Savage	1987-1999
MD3019LS MD3019RS VMD3019 Billet	Front Front Front	Floating Floating Floating	296 296 296	Silver Silver Black	Plain Plain Plain	6 6 9			SUZUKI GT 500 A/B RE 5 M/A GT 550 GT 750	1976-1977 1975-1977 1973-1977 1973-1977
MD3024LS MD3024RS	Front Front	Floating Floating	260 260	Silver Silver	Plain Plain	6 6			SUZUKI GSX 550 GN71D	1984-1987
MD3025	Rear	Solid	250		Plain				SUZUKI GSX 400 FX/FZ/FD GSX 550 GN71D	1981-1983 1984-1987
MD3027	Rear	Solid	276		Plain				SUZUKI GS 650 GS 850 GS 1100 GZ	1981-1983 1982-1985 1982
MD3028LS MD3028RS	Front Front	Floating Floating	260 260	Silver Silver	Plain Plain	6 6			SUZUKI XN 85 Turbo GS 700 EF/ESF GSX 750 E GSX 750 Katana FS75X-114747- GSX 750 S/SS GS75X-106815-	1983 1985 1982-1986 1984 1984
MD3029	Rear	Floating	260	Silver	Plain	6			SUZUKI GS 700 EF/ESF GSX 750 E GSX 750 SE Katana GR72A	1985 1982-1986 1985
MD3030LS MD3030RS	Front Front	Solid Solid	276 276		Plain Plain				SUZUKI GV 1200 Madura	1985-1986
MD3031LS	Front	Solid	296		Plain				SUZUKI VS 700 VS 750 Intruder VR51A	1986 1985-1990
MD3032LS MD3032RS	Front Front	Floating Floating	296 296	Silver Silver	Plain Plain	6 6			SUZUKI VS 400 Intruder VS 600 VS 700 VS 750 Intruder VR51A VS 800 Intruder VS52A VS 1400 Intruder VX51L	1994 1995-1997 1987 1987-1991 1992-1999 1987-2003
MD3033LS	Front	Solid	310		Plain				SUZUKI VX 800 VX 800 T	1990-1995 1996
MD3036 Billet MD3037LS	Rear Front	Solid Solid	275 310		Plain Plain				SUZUKI GSX 1100 F GV72A SUZUKI	1988-1994

STREETBIKE DISC BUYERS GUIDE

Disc No.	F/R	Type	Dia. mm	Hub Color	Profile	Bobbins	Left Bracket	Right Bracket	Model	Year
MD3037RS	Front	Solid	310		Plain				GSX 1100 G	1991-1996
MD3038	Rear	Solid	295		Plain				SUZUKI GSX 1100 G	1991-1996
MD3039LS MD3039RS MD3039	Front Front Rear	Floating Floating Floating	276 276 276	Silver Silver Silver	Plain Plain Plain	6 6 6			SUZUKI GSX 1100 GSX 1100 F GV72A	1984-1986 1988-1994
MD3041 Billet	Rear	Floating	275	Gold	Plain	6			SUZUKI GV 1200 Madura	1985-1986
MD3042	Front	Solid	275		Plain				SUZUKI GV 1400 Cavalcade GV 1400 Cavalcade	1986 1986-1988
MD3043	Rear	Solid	296		Plain				SUZUKI GV 1400 Cavalcade GV 1400 Cavalcade	1986 1986-1988
MD3044	Rear	Solid	275		Plain				SUZUKI VS 1400 Intruder VX51L	1987-2003
MD3045	Front	Floating	300	Silver	Plain	9			SUZUKI RG 125 Gamma NF13A & B RG 125 UN Wolf NF13E RGV 250 VJ22A GSXR 400 GK76A GSX 750 W/X/Y/K1 VZ 800 Marauder	1992-1994 1992-1994 1991-1995 1990-1995 1998-2003 1997-2003
MD3048LS	Front	Solid	260		Plain				SUZUKI RG 125 Gamma NF12A RG 125 Gamma NF12A	1986-1990 1986-1990
MD3058X MD3058XC VR3058BLK VR3058BLU VR3058RED	Front Front Front Front Front	Floating Floating Floating Floating Floating	320 320 320 320 320	Gold Gold Black Blue Red	Plain Contour Vee Vee Vee	6 6 6 6 6			SUZUKI GSXR 600 K1 GSXR 600 SRAD GSXR 750 SRAD GSXR 750 Y/K GSXR 1000 K1/K2 TL 1000 R TL 1000 S GSX 1300 Hayabusa GSX 1400 K2-K7	2001-2003 1997-2000 1996-1999 2000-2003 2001-2002 1998-2002 1997-2001 1999-2007 2001-2007
MD3059	Rear	Solid	210		Plain				SUZUKI RG 125 Gamma NF13A & B RG 125 UN Wolf NF13E RGV 250 VJ22A RGVR 250 T SP VJ23A	1992-1994 1992-1994 1991-1995 1996
MD3060 MD3060C VR3060	Rear Rear Rear	Solid Solid Solid	220 220 220		Plain Contour Vee				SUZUKI SV 400 GSXR 600 GSXR 600 K GSXR 600 SRAD SV 650 SV 650 Faired GSX-R 750 GSXR 750 GSXR 750 SRAD GSXR 750 GSX-S 750 GSXR 1000 GSXR 1000 K & L SV 1000 SV 1000 Faired TL 1000 R TL 1000 S	2003-2005 2011-2023 2001-2010 1997-2000 2003-2010 2003-2015 2011-2022 2004-2010 1996-1999 2000-2003 2017-2022 2012-2017 2001-2011 2003-2007 2003-2007 1998-2002 1997-2001
MD3061	Rear	Solid	250		Plain				SUZUKI VX 800 VX 800 T	1990-1995 1996

STREETBIKE DISC BUYERS GUIDE

Disc No.	F/R	Type	Dia. mm	Hub Color	Profile	Bobbins	Left Bracket	Right Bracket	Model	Year
MD3064	Rear	Solid	210		Plain				SUZUKI GSX 250 GJ72A RG 250 Gamma GJ21B RG 250 WD Gamma RG 250 WE GSXR 400 H RG 400 Walter Wolf Type 1 & 2 RG 500 G/CH	1980-1982 1985-1988 1983 1984 1987 1985-1987 1985-1987
MD3066LS MD3066RS	Front Front	Floating Floating	276 276	Silver Silver	Plain Plain	9 9			SUZUKI GSX 400 FX/FZ/FD	1981-1983
MD3070LS MD3070RS	Front Front	Floating Floating	260 260	Silver Silver	Plain Plain	9 9			SUZUKI RG 400 Walter Wolf Type 1 & 2 RG 500 G/CH	1985-1987 1985-1987
MD3073LS	Front	Floating	296	Gold	Plain	6			SUZUKI VS 700 VS 750 Intruder VR51A	1986-1987 1987
MD3074	Front	Solid	275		Plain				SUZUKI GSX 250 GJ72A GSX 250 R CJ GJ72A	1980-1982 2002-2005
MD3075LS MD3075RS	Front Front	Floating Floating	310 310	Silver Silver	Plain Plain	6 6			SUZUKI GSF 1200 SAV Faired Bandit	1997
MD3076	Rear	Solid	276		Plain				SUZUKI GSF 1200 SAV Faired Bandit	1997
MD3078RS	Front	Solid	300		Plain				SUZUKI VL 1500 Intruder Legendary Classic VL 1500 Intruder Legendary Classic	1998-1999 2000-2001
MD3079 Billet	Rear	Floating	276	Gold	Plain	6			SUZUKI VL 1500 Intruder Legendary Classic	1998-1999
MD3080RS SILVER	Front	Floating	299	Silver	Plain	9			SUZUKI SG 350 N Goose	1992
MD3081	Rear	Solid	210		Plain				SUZUKI GSX 250 R CJ GJ72A RGV 250 J RGV 250 K/L VJ21A TV 250 VJ21A Wolf SG 350 N Goose GSXR 400 GK73A/76A	2002-2005 1988 1989-1990 1988-1990 1992 1988-1995
MD3082LS MD3082RS	Front Front	Floating Floating	290 290	Silver Silver	Plain Plain	9 9			SUZUKI RGVR 250 T SP VJ23A	1996
MD3083 MD3083C	Rear Rear	Solid Solid	260 260		Plain Contour				SUZUKI GSX 1400 K2-K7	2001-2007
MD3084	Rear	Solid	240		Plain				SUZUKI GSF 250 Bandit GJ77A GSF 400 Bandit GK7AA	1980-1981 1995-1997
MD3086 Billet	Rear	Floating	276	Gold	Plain	6			SUZUKI VL 1500 C Intruder VL 1500 Intruder Legendary Classic VL 1500 Intruder Legendary Classic	2005-2009 2000-2001 2002-2003
MD3087LS MD3087RS	Front Front	Solid Solid	290 290		Plain Plain				SUZUKI VL 1500 C Intruder VL 1500 Intruder Legendary Classic	2005-2009 2002-2003
MD3088X MD3088XC VR3088BLK VR3088BLU VR3088RED	Front Front Front Front Front	Floating Floating Floating Floating Floating	310 310 310 310 310	Gold Gold Black Blue Red	Plain Contour Vee Vee Vee	6 6 6 6 6			KAWASAKI KLV 1000 SUZUKI DL 650 V-Strom DL 1000 V-Strom SV 1000 SV 1000 Faired	2004-2005 2004-2006 2002-2010 2003-2007 2003-2007

STREETBIKE DISC BUYERS GUIDE

Disc No.	F/R	Type	Dia. mm	Hub Color	Profile	Bobbins	Left Bracket	Right Bracket	Model	Year
MD3089X MD3089XC VR3089BLK VR3089BLU VR3089RED	Front Front Front Front Front	Floating Floating Floating Floating Floating	300 300 300 300 300	Gold Gold Black Blue Red	Plain Contour Vee Vee Vee	6 6 6 6 6			SUZUKI GSXR 1000 K3	2003
MD3090X MD3090XC VR3090BLK VR3090BLU VR3090RED	Front Front Front Front Front	Floating Floating Floating Floating Floating	290 290 290 290 290	Gold Gold Black Blue Red	Plain Contour Vee Vee Vee	6 6 6 6 6			SUZUKI SV 400 GSX 600 GSF 650 Faired Bandit GSF 650 Bandit SV 650 SV 650 Faired GSX 750 M 1500 VZ M Intruder VLR 1800 C R Intruder VLR 1800 RT Intruder	2003-2005 2003-2004 2005-2006 2005-2006 2003-2010 2003-2015 2003-2006 2009-2013 2008-2013 2008-2009
MD3091X MD3091XC VR3091BLK VR3091BLU VR3091RED VR3091CHBR	Front Front Front Front Front Front	Floating Floating Floating Floating Floating Floating	310 310 310 310 310 310	Gold Gold Black Blue Red Light Blue Camo	Plain Contour Vee Vee Vee Vee Vee	6 6 6 6 6 6 6			SUZUKI GSXR 600 K6/K7 GSXR 750 K GSXR 1000 K VZR 1800 M BZ VZR 1800 M R Intruder VZR 1800 M RZ	2006-2007 2006-2007 2005-2008 2014-2020 2006-2009 2007-2013
MD3092X MD3092XC VR3092BLK VR3092BLU VR3092RED	Front Front Front Front Front	Floating Floating Floating Floating Floating	310 310 310 310 310	Gold Gold Black Blue Red	Plain Contour Vee Vee Vee	6 6 6 6 6			SUZUKI GSR 400 K6 GSR 600 DL 650 V-Strom DL 650 V-Strom Traveller DL 650 V-Strom X DL 650 XT V-Strom DL 650 XT V-Strom Touring GSF 650 Bandit GSF 650 Faired Bandit GSX 650 GSR 750 GSX-S 750 L8 E21 GSX-S 750 Z DL 1000 V-Strom DL 1000 XT V-Strom DL 1050 V-Strom DL 1050 V-Strom XT DL 1050 V-Strom XT Tour DL 1050DE Tour V-Strom DL 1050DE V-Strom GSF 1200 Bandit GSF 1250 Bandit GSF 1250 Faired Bandit GSX 1250 GSX 1250 Sports Touring	2006 2006-2008 2007-2023 2007-2011 2007-2011 2015-2024 2018-2022 2007-2011 2007-2015 2008-2015 2011-2016 2018-2022 2018-2022 2014-2020 2018-2020 2018-2024 2018-2023 2018-2023 2023-2024 2023-2024 2006 2007-2011 2007-2016 2010-2016 2010-2014
MD3093 MD3093C VR3093	Rear Rear Rear	Solid Solid Solid	240 240 240		Plain Contour Vee				SUZUKI GW 250 FL5 Inazuma GW 250 Inazuma GSR 400 K6 GSR 600 GSF 650 Bandit GSF 650 Faired Bandit GSX 650 SFV 650 Gladius SV 650 SV 650 Faired SV 650 X GSR 750 GSX-S 750 GSX-S 750 L8 E21 GSX-S 750 Z GSX-S 750 ZL GSF 1200 Bandit GSF 1250 Bandit GSF 1250 Faired Bandit GSX 1250 GSX 1250 Sports Touring	2015 2013-2015 2006 2006-2008 2005-2011 2005-2011 2008-2015 2009-2015 2007-2023 2007-2015 2018-2023 2011-2016 2017-2022 2018-2022 2018-2022 2018-2021 2006 2007-2011 2007-2016 2010-2016 2010-2014

DISC BUYERS GUIDE

STREETBIKE DISC BUYERS GUIDE

Disc No.	F/R	Type	Dia. mm	Hub Color	Profile	Bobbins	Left Bracket	Right Bracket	Model	Year
MD3095RS	Front	Solid	300		Plain				SUZUKI VL 800 C 50 Boulevard VL 800 C Intruder VL 800 Intruder Volusia	2005-2021 2005-2015 2001-2014
MD3096RS	Front	Solid	300		Plain				SUZUKI M 800 VZ Intruder M 800 VZ Intruder M800 M 800 Z VZ Intruder M800	2014-2015 2005-2013 2009-2010
MD3097	Rear	Floating	275	Silver	Plain	6			SUZUKI M 1500 VZ M Intruder VLR 1800 C R Intruder VLR 1800 RT Intruder VZR 1800 M BZ VZR 1800 M R Intruder VZR 1800 M R Intruder VZR 1800 M RZ	2009-2013 2008-2013 2008-2009 2014-2020 2006-2009 2008-2009 2007-2013
MD3098X MD3098XC VR3098BLK VR3098BLU VR3098RED	Front Front Front Front Front	Floating Floating Floating Floating Floating	310 310 310 310 310	Gold Gold Black Blue Red	Plain Contour Vee Vee Vee	6 6 6 6 6			SUZUKI GSX 1300 B-King GSX 1300 Hayabusa GSX 1300 R Hayabusa	2008-2012 2008-2012 2013-2020
MD3099 MD3099C VR3099	Rear Rear Rear	Solid Solid Solid	260 260 260		Plain Contour Vee				SUZUKI GSX 1300 B-King GSX 1300 Hayabusa GSX 1300 R Hayabusa GSX 1300 R New Hayabusa GSX 1300 R New Hayabusa 25th Ann	2008-2012 2008-2012 2013-2020 2021-2024 2024
MD3100X MD3100XC VR3100BLK VR3100BLU VR3100RED	Front Front Front Front Front	Floating Floating Floating Floating Floating	310 310 310 310 310	Gold Gold Black Blue Red	Plain Contour Vee Vee Vee	6 6 6 6 6			SUZUKI GSXR 600 GSXR 600 K GSX-R 750 GSXR 750 K/L GSX-S 750	2011-2023 2008-2010 2011-2022 2008-2010 2017-2022
MD3101X MD3101XC	Front Front	Floating Floating	290 290	Gold Gold	Plain Contour	6 6			SUZUKI GSF 650 Bandit GSF 650 Faired Bandit	2005-2006 2005-2006
MD3102X MD3102XC VR3102BLK VR3102BLU VR3102RED	Front Front Front Front Front	Floating Floating Floating Floating Floating	310 310 310 310 310	Gold Gold Black Blue Red	Plain Contour Vee Vee Vee	6 6 6 6 6			SUZUKI GSXR 1000 GSXR 1000 K9/L0/L1	2012-2017 2009-2011
MD3103X MD3103XC	Front Front	Floating Floating	290 290	Gold Gold	Plain Contour	6 6			SUZUKI SFV 650 Gladius SV 650 SV 650 Faired SV 650 X	2009-2015 2007-2023 2007-2015 2018-2023
MD3104X MD3104XC VR3104BLK VR3104BLU VR3104RED	Front Front Front Front Front	Floating Floating Floating Floating Floating	300 300 300 300 300	Gold Gold Black Blue Red	Plain Contour Vee Vee Vee	6 6 6 6 6			SUZUKI GSXR 600 K GSXR 750 K GSXR 1000 K	2004-2005 2004-2005 2004
MD3105LS	Front	Solid	290		Plain				SUZUKI GW 250 FL5 Inazuma GW 250 Inazuma	2015 2013-2015
MD3106 MD3106C VR3106	Rear Rear Rear	Solid Solid Solid	220 220 220		Plain Contour Vee				SUZUKI GSXR 1000 GSXR 1000 R	2015-2023 2017-2022
MD3107X MD3107XC VR3107BLK VR3107RED VR3107BLU	Front Front Front Front Front	Floating Floating Floating Floating Floating	320 320 320 320 320	Gold Gold Black Red Blue	Plain Contour Vee Vee Vee	6 6 6 6 6			SUZUKI GSXR 1000 GSXR 1000 R	2017-2023 2017-2022

STREETBIKE DISC BUYERS GUIDE

Disc No.	F/R	Type	Dia. mm	Hub Color	Profile	Bobbins	Left Bracket	Right Bracket	Model	Year
MD3108 MD3108C VR3108	Rear Rear Rear	Solid Solid Solid	250 250 250		Plain Contour Vee				SUZUKI GSX-S 950 999cc GSX 1000 Katana GSX-S 1000 GSX-S 1000 F Faired GSX-S 1000 L	2021-2023 2019-2023 2021-2024 2016-2021 2016-2020
MD3109X MD3109XC VR3109BLK VR3109BLU VR3109RED	Front Front Front Front Front	Floating Floating Floating Floating Floating	310 310 310 310 310	Black Black Black Blue Red	Plain Contour Vee Vee Vee	6 6 6 6 6			SUZUKI GSX 1000 Katana GSX-S 1000 GSX-S 1000 F Faired GSX-S 1000 GT GSX-S 1000 GT+ GSX-S 1000 L	2019-2023 2021-2024 2016-2021 2021-2024 2023-2024 2016-2020
MD3110C	Front	Solid	290		Contour				SUZUKI GSX-S 125 GSX-R 150	2017-2024 2016-2020
MD3111 MD3111C	Rear Rear	Solid Solid	190 190		Plain Contour				SUZUKI GSX-R 125 GSX-S 125 GSX-R 150 GSX-S 150	2017-2024 2017-2024 2016-2020 2016-2020
MD3112C	Front	Solid	290		Contour				SUZUKI DL 250 V-Strom GSX 250 R P21 GSX 250 RL7/RL8	2018-2021 2018-2023 1991
MD3113C	Rear	Solid	240		Contour				SUZUKI DL 250 V-Strom GSX 250 R P21 GSX 250 RL7/RL8	2018-2021 2018-2023 1991
MD3115X	Front	Floating	320	Gold	Plain	6			SUZUKI GSX 1300 R New Hayabusa GSX 1300 R New Hayabusa 25th Ann	2021-2024 2024
MD4001 MD4002LS MD4002RS	Rear Front Front	Solid Solid Solid	260 260 260		Plain Plain Plain				KAWASAKI Z 400 Z F2 GPZ 550 ZX A KAWASAKI EL 250 D EL 250 Eliminator EL 250 F Eliminator GPX 250 R ZX F GPZ 550 ZX A	1985-1987 1984-1987 1990-1994 1987-1989 1996-2003 1986 1984-1987
MD4005	Front	Floating	310	Silver	Plain	9			KAWASAKI ZXR 400 L ZXR 400 R M	1991-2003 1991-1994
MD4006LS MD4006RS	Front Front	Solid Solid	270 270		Plain Plain				KAWASAKI LTD 454 EN A EN 500 A GT 550 G Z 1000 J1/J2 Z 1000 LTD GPZ 1100 B1 Z 1100 A Z 1100 D Spectre	1986-1989 1990-1993 1983-2001 1981-1982 1981-1983 1982 1981-1983 1982-1983
MD4007 MD4007C VR4007	Rear Rear Rear	Solid Solid Solid	230 230 230		Plain Contour Vee				KAWASAKI ZZ-R 400 ZX ZZR 600 ZX GPX 750 ZX ZR 750 Zephyr	1990-1992 1990-1993 1987-1989 1991-1998
MD4008X MD4008XC VR4008BLK VR4008GRN	Front Front Front Front	Floating Floating Floating Floating	300 300 300 300	Gold Gold Black Green	Plain Contour Contour Vee	6 6 6 6			KAWASAKI KR-1S C ZR 250 B6 Balius-II ZR 250 Balius ZXR 250 ZXR 250 R	1990-1992 2002 1991-1995 1989-1990 1989-1990

STREETBIKE DISC BUYERS GUIDE

Disc No.	F/R	Type	Dia. mm	Hub Color	Profile	Bobbins	Left Bracket	Right Bracket	Model	Year
MD4008X MD4008XC VR4008BLK VR4008GRN Contd.									ZZR 250 EX 250 H ZL 400 D1/D2 ZRX 400 ZR & ZX ZXR 400 H & R ZZ-R 400 ZX ZR 550 Zephyr ZL 600 B Eliminator ZX-6R ZX W 650 EJ 650 ZR 750 Zephyr W 800 EJ GPZ 900 R GTR 1000 ZG GPZ 1100 SUZUKI GSX 250 ZR	1990-2001 1994-1995 1994-2001 1989-1990 1990-1999 1991-1999 1995-1997 1995-1997 1999-2005 1991-1998 2011-2021 1990-1998 1994-2003 1995-1998 1987
MD4009 MD4009C VR4009	Rear Rear Rear	Solid Solid Solid	240 240 240		Plain Contour Vee				KAWASAKI ZR 400 Zephyr ZX-4 ZX ZXR 400 H & R ZZ-R 400 ZX ZR 550 Zephyr ZZR 600 ZX	1997-2001 1988 1989-2003 1993-1999 1991-1999 1993-2007
MD4010LS MD4010RS	Front Front	Solid Solid	260 260		Plain Plain				KAWASAKI Z 250 A3 Z 400 J2/J3 Z 440 GPZ 550 D Z 550 A Z 550 LTD Z 650 F VN 700 A1 Vulcan Z 700 A1 LTD GPZ 750 R GT 750 VN 750 A Z 750 Z 750 LTD Z 750 N Spectre	1981 1981-1983 1981-1984 1982 1981-1982 1982-1984 1981-1983 1985 1984 1982 1982-1996 1986-1994 1980-1984 1980-1981 1982-1983
MD4012X MD4012XC VR4012BLK VR4012GRN	Front Front Front Front	Floating Floating Floating Floating	310 310 310 310	Gold Gold Black Green	Plain Contour Vee Vee	6 6 6 6			KAWASAKI ZXR 750 H ZX 9 R ZX ZR 1100 Zephyr ZR 1100 Zephyr RS ZRX 1100 ZR ZZR 1100 ZX C ZRX 1200 ZR	1989-1990 2000-2001 1992-1997 2002 1997-2000 1990-1992 2001-2008
MD4013 MD4013C VR4013	Rear Rear Rear	Solid Solid Solid	230 230 230		Plain Contour Vee				KAWASAKI ZX7-R ZX 750 ZX7-RR ZX 750 ZXR 750 ZX 9 R ZX	1996-2003 1996-1999 1989-1995 1994-1997
MD4014 MD4014C VR4014	Rear Rear Rear	Solid Solid Solid	250 250 250		Plain Contour Vee				KAWASAKI ZZR 1100 ZX D	1993-2001
MD4015 MD4015C VR4015	Rear Rear Rear	Solid Solid Solid	250 250 250		Plain Contour Vee				KAWASAKI FX 400 R ZX GPZ 400 R ZX GPZ 600 R GPZ 900 R Ninja ZX 10 ZX ZX-10 ZX ZZR 1100 ZX SUZUKI GSX 250 ZR 250 C	1986-1988 1985-1987 1985-1989 1990-2002 1988-1990 1988-1990 1990-2001 1987

DISC BUYERS GUIDE

STREETBIKE DISC BUYERS GUIDE

Disc No.	F/R	Type	Dia. mm	Hub Color	Profile	Bobbins	Left Bracket	Right Bracket	Model	Year
MD4016 Floating disc available, see MD714	Front	Solid	280		Plain				KAWASAKI ZL 400 A Eliminator ER-5 500 A GPZ 750 R G2/G3 GPZ 750 Turbo GPZ 900 R A1 ZL 900 Eliminator GPZ 1000 RX ZX ZL 1000 GPZ 1100 A	1986-1987 1997-2007 1985-1986 1984-1987 1984-1989 1985-1986 1986-1988 1987 1983-1985
MD4017 Billet	Rear	Solid	270		Plain				KAWASAKI GPZ 750 R G2/G3 GPZ 750 Turbo GPZ 900 R A1 ZL 900 Eliminator ZL 1000 GPZ 1100 A	1985-1986 1984-1987 1984-1989 1985-1986 1987 1983-1985
MD4019 Billet	Rear	Solid	260		Plain				KAWASAKI GPZ 750 A GPZ 1000 RX ZX	1983-1987 1986-1988
MD4021	Front	Solid	300		Plain				KAWASAKI Ninja ZX 10 ZX-10	1988-1990 1988-1990
MD4022X MD4022XBLK MD4022XC VR4022BLK VR4022GRN	Front Front Front Front Front	Floating Floating Floating Floating Floating	320 320 320 320 320	Gold Black Gold Black Green	Plain Plain Contour Vee Vee	6 6 6 6 6			KAWASAKI ZX7-R 750cc ZXR 750 ZX 9 R 900cc ZZR 1100 ZX ZX 12 R ZX ZZR 1200 C VN 1500 Mean Streak VN 1600 Mean Streak SUZUKI M 1600 VZ Marauder	1991-2003 1991-1995 1994-2004 1993-2001 2000-2003 2002-2004 2002-2004 2004-2008 2004-2005
MD4023 MD4023C VR4023	Rear Rear Rear	Solid Solid Solid	230 230 230		Plain Contour Vee				KAWASAKI ZX-6R ZX ZX 12 R ZX	1995-1997 2000-2006
MD4024 MD4026LS MD4026RS	Rear Front Front	Solid Solid Solid	260 260 260		Plain Plain Plain				KAWASAKI GPZ 550 H KAWASAKI GPX 600 R ZX	1982-1983 1988-1996
MD4027 MD4027C VR4027	Rear Rear Rear	Solid Solid Solid	240 240 240		Plain Contour Vee				KAWASAKI GPX 400 R ZX F1 GPX 600 R ZX 600 ZR 1100 Zephyr ZR 1100 Zephyr RS	1987 1988-1996 1992-1997 2002
MD4028	Rear	Solid	270		Plain				KAWASAKI Z 400 Z F2 GPZ 600 R GPZ 750 A GTR 1000 ZG	1985-1987 1985-1989 1983-1987 1986-1993
MD4032 MD4038	Rear Front	Solid Solid	240 280		Plain Plain				KAWASAKI GPX 250 R ZX F KAWASAKI Z 1000 J3 Z 1000 R2 GPZ 1100 B2 Z 1100 R1 Lawson Replica	1986 1983 1983 1983 1984
MD4040LS	Front	Solid	210		Plain				KAWASAKI AR 50 C2-C10 AR 80	1981-1997 1981-1991
MD4041RS	Front	Solid	260		Plain				KAWASAKI GPX 250 R ZX F	1987-1995

STREETBIKE DISC BUYERS GUIDE

Disc No.	F/R	Type	Dia. mm	Hub Color	Profile	Bobbins	Left Bracket	Right Bracket	Model	Year
MD4042	Rear	Solid	230		Plain				KAWASAKI GPX 250 R II EX G GPX 250 R ZX F	1988 1987-1995
MD4043LS MD4043RS	Front Front	Floating Floating	260 260	Gold Gold	Plain Plain	6 6			KAWASAKI Z 750 Y1 LTD	1982
MD4047LS MD4047RS	Front Front	Floating Floating	276 276	Natural Natural	Plain Plain	9 9			KAWASAKI Z 400 J1 Z 440 A2 LTD Z 440 D4 LTD Z 500 B Z 550 A1	1980 1979 1982 1979-1980 1980
MD4051 MD4051C	Rear Rear	Solid Solid	230 230		Plain Contour				KAWASAKI ZR 250 B6 Balius-II ZR 250 Balius ZXR 250 ZXR 250 R GPZ 500 S EX GSX 250 ZR	2002 1991-1995 1989-1995 1989-1990 1994-2004 1987
MD4052LS MD4052RS VMD4052	Front Front Front	Floating Floating Floating	295 295 295	Gold Gold Black	Plain Plain Plain	6 6 9			KAWASAKI KH 500 A8 Z 650 Z 900 A4	1976 1977-1980 1977
MD4054 Billet	Rear	Solid	270		Plain				KAWASAKI Z 1000 Z 1000 LTD Z 1000 R2 GPZ 1100 Z 1100 A Z 1100 D Spectre Z 1100 R1 Lawson Replica VN 1500 VN 15 SE VN 1500 VN15	1981-1983 1981-1983 1983 1982-1983 1981-1983 1982-1983 1984 1988-1992 1992
MD4059LS MD4059RS VMD4059	Front Front Front	Floating Floating Floating	278 278 278	Silver Silver Black	Plain Plain Plain	6 6 9			KAWASAKI Z 650 C Z 650 SR KAWASAKI Z 650 C	1977-1979 1979-1980 1977-1978
MD4063 VMD4063	Rear Rear	Floating Floating	295 295	Silver Black	Plain Plain	6 9			KAWASAKI Z 650 SR	1979-1980
MD4064LS MD4064RS VMD4064	Front Front Front	Floating Floating Floating	295 295 295	Silver Silver Black	Plain Plain Plain	6 6 9			KAWASAKI Z 1000 Z 1000 H1	1977-1980 1980
MD4067LS MD4067RS	Front Front	Solid Solid	270 270		Plain Plain				KAWASAKI ZN 700 LTD	1984-1985
MD4068	Rear	Solid	260		Plain				KAWASAKI ZN 700 LTD	1984-1985
MD4069LS MD4069RS VMD4069 Billet	Front Front Front	Floating Floating Floating	296 296 296	Silver Silver Black	Plain Plain Plain	6 6 9			KAWASAKI H1 500cc H2 C Mach IV 750cc H2 Mach IV 750cc Z 900 Z1 A/B	1973-1975 1974-1975 1972-1973 1974-1976
MD4071LS MD4071RS	Front Front	Solid Solid	270 270		Plain Plain				KAWASAKI GPX 750 ZX	1987-1989
MD4076LS MD4076RS VMD4076	Front Front Front	Floating Floating Floating	296 296 296	Silver Silver Black	Plain Plain Plain	6 6 9			KAWASAKI Z 1000 ZIR	1978-1979
MD4077 VMD4077	Rear Rear	Floating Floating	290 290	Silver Black	Plain Plain	6 9			KAWASAKI Z 1000 Z 1000 H1 Z 1000 ST Shaft Z 1000 ZIR	1977-1980 1980 1979-1982 1978-1979

STREETBIKE DISC BUYERS GUIDE

Disc No.	F/R	Type	Dia. mm	Hub Color	Profile	Bobbins	Left Bracket	Right Bracket	Model	Year
MD4078LS MD4078RS VMD4078	Front Front Front	Floating Floating Floating	286 286 286	Gold Gold Black	Plain Plain Plain	6 6 9			KAWASAKI Z 1000 ST Shaft	1979-1982
MD4082	Rear	Solid	280		Plain				KAWASAKI GTR 1000 ZG	1986-2003
MD4085	Rear	Solid	270		Plain				KAWASAKI V 900 D Vulcan Classic LT V 900C Custom VN 900 B Vulcan Classic Vulcan 900 Classic-LT-Custom	2007-2010 2007-2014 2006-2014 2007-2021
MD4089LS MD4089RS VMD4089	Front Front Front	Floating Floating Floating	299 299 299	Silver Silver Black	Plain Plain Plain	6 6 9			KAWASAKI Z 1300 A	1979-1986
MD4090	Rear	Solid	290		Plain				KAWASAKI Z 1000 ST Shaft Z 1300 A1-A5 ZG 1300 A1-A3	1979-1982 1979-1983 1984-1986
MD4094LS SILVER	Front	Floating	300	Silver	Plain	6			KAWASAKI VN 1500 VN 15 SE	1988-1992
MD4095X GOLD	Front	Floating	280	Gold	Plain	6			KAWASAKI KR-1 B2	1989
MD4096	Rear	Solid	210		Plain				KAWASAKI KR-1 KR-1S C	1989 1990-1992
MD4099	Front	Solid	260		Plain				KAWASAKI AR 125 ER 250 T Scorpion GPZ 550 H	1982-1994 1983-1988 1982-1983
MD4105LS MD4105RS	Front Front	Solid Solid	240 240		Plain Plain				KAWASAKI KH 100 EX KH 125 L1 EX GPZ 305 A/B	1984-1987 1984 1983-1996
MD4108LS MD4108RS	Front Front	Solid Solid	270 270		Plain Plain				KAWASAKI ZR 400 Z F ZR 550 Z	1983-1984 1983-1984
MD4117	Rear	Solid	220		Plain				KAWASAKI ZZR 250 EX	1990-2001
VMD4123	Front	Floating	278	Black	Plain	9			KAWASAKI KH 400 A	1976-1978
MD4124LS	Front	Floating	300	Silver	Plain	6			KAWASAKI EN 500 B VN 800 VN 1500 VN15	1994-2004 1995-1999 1992-1995
MD4125LS	Front	Solid	300		Plain				KAWASAKI VN 800 Classic VN 800 Drifter VN 1500 Classic Fi VN 1500 Drifter	1996-2006 1999-2004 2000-2004 1999-2004
MD4128 Billet	Rear	Solid	270		Plain				KAWASAKI VN 1500 Classic VN 1500 VN15	1996-1999 1994-1995
MD4130 MD4130C VR4130	Rear Rear Rear	Solid Solid Solid	250 250 250		Plain Contour Vee				KAWASAKI GPZ 1100 E GPZ 1100 F	1995-1997 1996-1998
MD4131LS	Front	Floating	299	Silver	Plain	9			KAWASAKI VN 1500 Classic	1996-1999

STREETBIKE DISC BUYERS GUIDE

Disc No.	F/R	Type	Dia. mm	Hub Color	Profile	Bobbins	Left Bracket	Right Bracket	Model	Year
SILVER MD4132X MD4132XC VR4132BLK VR4132GRN	Front Front Front Front	Floating Floating Floating Floating	300 300 300 300	Gold Gold Black Green	Plain Contour Vee Vee	6 6 6 6			KAWASAKI GPZ 1100 F1	1996-1998
MD4133 MD4133C VR4133	Rear Rear Rear	Solid Solid Solid	250 250 250		Plain Contour Vee				KAWASAKI ZRX 1100 ZR 1100 ZRX 1200 R ZR ZRX 1200 S ZR ZZR 1200 C	1997-2000 2001-2008 2001-2007 2002-2004
MD4134 SILVER	Front	Floating	300	Silver	Plain	9			KAWASAKI ZX-4 ZX	1988
MD4135LS MD4135RS	Front Front	Solid Solid	270 270		Plain Plain				KAWASAKI FX 400 R ZX GPZ 400 R ZX ZL 400 B Eliminator SE	1986-1988 1985-1987 1988
MD4136X MD4136XC VR4136BLK VR4136GRN	Front Front Front Front	Floating Floating Floating Floating	300 300 300 300	Gold Gold Black Green	Plain Contour Vee Vee	6 6 6 6			KAWASAKI ZX-6R ZX 600cc ZX-6R ZX 636cc	1998-2001 2002
MD4137RS	Front	Solid	260		Plain				KAWASAKI BN 125 Eliminator	1998-2007
MD4138 MD4138C VR4138	Rear Rear Rear	Solid Solid Solid	220 220 220		Plain Contour Vee				KAWASAKI ER-6F ER-6N ZX-6R 600 R ZX-6R ZX 600cc ZX-6RR ZX 600cc ZX-6RR ZX 600cc ZX-6R ZX 636cc KLE 650 Versys Z 650 ER Z 750 S ZR Z 750 ZR ZX 9 R ZX 900cc Ninja ZX-10R ZX 1000cc Z 1000 ZR	2006-2016 2006-2016 2009-2016 1998-2008 2003-2004 2003-2006 2002-2006 2007-2014 2017-2020 2005-2007 2004-2006 1998-2004 2004-2010 2003-2006
MD4140LS MD4140RS	Front Front	Solid Solid	270 270		Plain Plain				KAWASAKI GPX 400 R ZX F1	1987
MD4141X MD4141XC	Front Front	Floating Floating	300 300	Silver Silver	Plain Contour	6 6			KAWASAKI ZZR 600 ZX Z 750 S ZR Z 750 ZR ZR 750 ZR-7	1990-1993 2005-2007 2004-2006 1999-2004
MD4142 MD4142C	Rear Rear	Solid Solid	240 240		Plain Contour				KAWASAKI ZR 750 ZR-7	1999-2004
MD4143LS MD4143RS	Front Front	Solid Solid	280 280		Plain Plain				KAWASAKI GPZ 400 R D4	1988
MD4144	Front	Solid	270		Plain				KAWASAKI GPZ 500 S EX	1988-2004
MD4146	Rear	Solid	300		Plain				KAWASAKI VN 1500 Mean Streak VN 1600 Classic VN 1600 Classic Tourer VN 1600 Mean Streak SUZUKI M 1600 VZ Marauder	2002-2004 2003-2008 2005-2008 2004-2008 2004-2005
MD4147	Rear	Solid	320		Plain				KAWASAKI VN 1500 Classic Tourer VN 1500 Classic Tourer Fi	1998-1999 2000-2003

STREETBIKE DISC BUYERS GUIDE

Disc No.	F/R	Type	Dia. mm	Hub Color	Profile	Bobbins	Left Bracket	Right Bracket	Model	Year
MD4148	Rear	Solid	270		Plain				KAWASAKI VN 800 Drifter VN 1500 Classic Fi VN 1500 Drifter	1999-2004 2000-2004 1999-2004
MD4149LS MD4149RS	Front Front	Floating Floating	300 300	Silver Silver	Plain Plain	9 9			KAWASAKI ZXR 250 C ZXR 250 R	1991-1995 1991
MD4150	Front	Solid	280		Plain				KAWASAKI VN 1500 Classic Tourer VN 1500 Classic Tourer Fi	1998-1999 2000-2003
MD4151X MD4151XC	Front Front	Floating Floating	280 280	Gold Gold	Plain Contour	6 6			KAWASAKI ZX-6RR ZX 600cc ZX-6R ZX 636cc	2003-2004 2003-2004
MD4152XC VR4152BLK VR4152GRN	Front Front Front	Floating Floating Floating	300 300 300	Gold Black Green	Contour Vee Vee	6 6 6			CF MOTO 650 7B NK 650 GT 650 NK 650 TK 650 TR KAWASAKI ZX-6R 600 R ZX-6R ZX 600cc ZX-6RR ZX 600cc ZX-6R ZX 636cc Z 750 R Black Ed ZR Z 750 R ZR Z 750 ZR Ninja ZX-10R ZX 1000cc Z 1000 Z 1000 Special Ed ZR 1000 Z 1000 SX MEF Z 1000 ZR	2017-2023 2020-2023 2012-2016 2013-2015 2013-2014 2009-2016 2007-2008 2005-2006 2005-2006 2012 2011-2012 2011-2012 2004-2007 2010-2013 2014 2011-2020 2007-2015
MD4153X MD4153XC VR4153BLK VR4153GRN	Front Front Front Front	Floating Floating Floating Floating	300 300 300 300	Gold Gold Black Green	Plain Contour Vee Vee	6 6 6 6			KAWASAKI ZZR 600 ZX	1993-2007
MD4154X MD4154XC VR4154BLK VR4154GRN	Front Front Front Front	Floating Floating Floating Floating	300 300 300 300	Gold Gold Black Green	Plain Contour Vee Vee	6 6 6 6			KAWASAKI Z 1000 ZR ZX 12 R ZX	2003-2006 2004-2006
MD4155X MD4155XC VR4155BLK VR4155GRN	Front Front Front Front	Floating Floating Floating Floating	310 310 310 310	Gold Gold Black Green	Plain Contour Vee Vee	6 6 6 6			KAWASAKI Ninja ZX-6R 636cc Ninja ZX-6R KRT 636cc ZX-6R 30th Ann ZX 636cc ST 700 Stallion Z 800 Z 800 E KLZ 1000 Versys KLZ 1000 Versys S Grand Tourer KLZ 1000 Versys S Tourer KLZ 1000 Versys SE KLZ 1000 Versys SE LT & LT+ Z 1000 GTR 1400 ZG ZZR 1400 ZZR 1400 Performance ZZR 1400 Performance Sport ZZR 1400 ZG	2013-2024 2016-2024 2015 2014-2018 2013-2016 2013-2016 2015-2024 2020-2024 2020-2024 2022-2024 2018-2023 2014-2021 2008-2018 2008-2020 2012-2020 2014-2020 2006-2007
MD4156XC	Front	Floating	300	Gold	Contour	6			KAWASAKI ER-6F ABS ER-6N ABS KLE 650 Versys KLE 650 Versys Grand Tourer KLE 650 Versys Tourer Z 750 ZR KLZ 1000 Versys	2006-2016 2006-2016 2007-2024 2022-2024 2022-2024 2007-2011 2012-2014

DISC BUYERS GUIDE

STREETBIKE DISC BUYERS GUIDE

Disc No.	F/R	Type	Dia. mm	Hub Color	Profile	Bobbins	Left Bracket	Right Bracket	Model	Year
MD4156XC Contd.									Ninja SX Performance Tourer ZX 1002cc Ninja SX Performance ZX 1002cc Ninja SX Tourer ZX 1002cc Ninja SX ZX 1002cc	2022-2023 2022-2023 2022-2023 2021-2023
MD4157C VR4157	Rear Rear	Solid Solid	250 250		Contour Vee				KAWASAKI Z 750 R Black Ed ZR Z 750 R ZR Z 750 ZR Z 800 Z 800 E Z 900 Performance Z 900 RS Z 900 RS Café Z 900 RS Performance Z 900 RS SE Z 900 SE Performance KLZ 1000 Versys KLZ 1000 Versys S Grand Tourer KLZ 1000 Versys S Tourer KLZ 1000 Versys SE KLZ 1000 Versys SE LT & LT+ Ninja SX Performance Tourer ZX 1002 Ninja SX Performance ZX 1002 Ninja SX Tourer ZX 1002 Ninja SX ZX 1002 Z 1000 Z 1000 Special Ed ZR 1000 Z 1000 SX Z 1000 ZR Z H2 Performance ZR1000 Z H2 SE Performance ZR1000 Z H2 ZR1000 ZZR 1400 ZZR 1400 Performance ZZR 1400 Performance Sport ZZR 1400 ZG	2012 2011-2012 2007-2012 2013-2016 2013-2016 2017-2023 2018-2024 2018-2020 2018-2021 2022-2024 2017-2023 2012-2024 2020-2024 2020-2024 2022-2024 2018-2023 2022-2023 2022-2023 2022-2023 2021-2023 2010-2021 2014 2011-2020 2007-2015 2021-2023 2021-2024 2024 2008-2020 2012-2020 2014-2020 2006-2007
MD4158	Front	Solid	300		Plain				KAWASAKI W 800 EJ V 900 D Vulcan Classic LT V 900C Custom VN 900 B Vulcan Classic Vulcan 900 Classic-LT-Custom VN 1600 Classic VN 1600 Classic Tourer VN 1700 Classic VN 1700 Classic Tourer VN 1700 Voyager VN 1700 Voyager Custom VN 2000 VN 2000 Classic	2011-2012 2007-2010 2007-2014 2006-2014 2007-2021 2003-2008 2005-2008 2009-2014 2009-2014 2009-2020 2011-2014 2004-2007 2008-2009
MD4159X MD4159XC VR4159BLK VR4159GRN	Front Front Front Front	Floating Floating Floating Floating	300 300 300 300	Gold Gold Black Green	Plain Contour Vee Vee	6 6 6 6			KAWASAKI ER-6F ER-6N KLE 650 Versys Z 750 ZR	2006-2016 2006-2016 2007-2014 2007-2011
MD4160C VR4160	Rear Rear	Solid Solid	270 270		Contour Vee				KAWASAKI GTR 1400 ZG	2008-2018
MD4161X MD4161XC VR4161BLK VR4161GRN	Front Front Front Front	Floating Floating Floating Floating	310 310 310 310	Gold Gold Black Green	Plain Contour Vee Vee	6 6 6 6			KAWASAKI Ninja ZX-10R ZX 1000cc ZX 10 R Ninja 30th Ann Ed ZX 1000	2008-2015 2015
MD4162C MD4162XC	Front Front	Solid Floating	290 290	Gold	Contour Contour	6			KAWASAKI EX 250 Ninja R	2008-2012

STREETBIKE DISC BUYERS GUIDE

Disc No.	F/R	Type	Dia. mm	Hub Color	Profile	Bobbins	Left Bracket	Right Bracket	Model	Year
MD4163C VR4163	Rear Rear	Solid Solid	220 220		Contour Vee				KAWASAKI EX 250 Ninja R Z 250 SL BR Ninja 300 ER Ninja 300 EX Ninja 300 EX	2008-2012 2015-2017 2015-2016 2013-2015 2014-2016
MD4164AC With ABS Ring	Rear	Solid	220		Contour				KAWASAKI ER-6F ABS ER-6N ABS KLE 650 Versys Ninja 650 EX 650 Ninja 650 EX 650 40th Ann Ed Ninja 650 EX 650 KRT Edition Z 650 ER 650 Z 650 ER 650 Performance	2006-2016 2006-2016 2007-2014 2017-2024 2024 2018-2020 2024 2017-2023
MD4165 MD4165C VR4165	Rear Rear Rear	Solid Solid Solid	220 220 220		Plain Contour Vee				KAWASAKI Ninja ZX-6R 636cc Ninja ZX-6R KRT 636cc ZX-6R 30th Ann ZX 636 Ninja ZX-10R ZX 1000cc ZX 10 R Ninja 30th Ann Ed ZX 1000 ZX 10 R Ninja KRT Edition ZX 10 R Ninja SE Model ZX-1002 ZX 10 R Ninja Winter Test Ed ZX 1000 ZX 10 R Ninja ZX 1000cc ZX 10 R Ninja ZX 1002cc ZX 10 R Ninja ZX 1002 40th Ann Ed ZX 10 RR Ninja ZX 1000cc	2013-2024 2016-2024 2015 2011-2015 2015 2016-2022 2018-2020 2016 2016-2018 2019-2024 2024 2017-2024
MD4166C MD4166X MD4166XC VR4166BLK VR4166GRN	Front Front Front Front	Solid Floating Floating Floating	290 290 290 290		Contour Plain Contour Vee Vee		6 6 6 6		KAWASAKI Ninja 125 Z 125 Performance Ninja 250 SL BX Ninja 250 SL BX KRT Edition Z 250 SL BR KLE 300 Versys-X Ninja 300 ER Ninja 300 EX Ninja 300 EX ZX-4RR Ninja	2019-2024 2016-2023 2015-2016 2015-2016 2015-2017 2017-2020 2015-2016 2013-2016 2014-2018 2023-2024
MD4167X MD4167XC	Front Front	Floating Floating	296 296	Gold Gold	Plain Contour	6 6			KAWASAKI ZX 9 R ZX 900 C	1998-1999
MD4169 7mm Thickness	Rear	Solid	260		Plain				KAWASAKI GPZ 550 D ST 700 Stallion Z 700 A1 LTD GPZ 750 R GT 750 Z 750 E1 Z 750 L1-L4 Z 750 LTD Z 750 N Spectre	1982 2014-2018 1984 1982 1982-1996 1980 1981-1984 1980-1981 1982-1983
MD4170X	Front	Floating	330	Gold	Plain	6			KAWASAKI ZX 10 R Ninja KRT Edition ZX 10 R Ninja SE Model ZX-1002cc ZX 10 R Ninja Winter Test Ed ZX 1000cc ZX 10 R Ninja ZX 1000cc ZX 10 R Ninja ZX 1002cc ZX 10 R Ninja ZX 1002cc 40th Ann Edition	2016-2022 2018-2020 2016 2016-2018 2019-2024 2024
MD4171C OSX4171	Front Front	Solid Floating	200 250	Black	Contour Contour	6			KAWASAKI Z 125 Pro Z 125 Pro SE	2016-2020 2018-2020
MD4172C	Rear	Solid	184		Contour				KAWASAKI Z 125 Pro Z 125 Pro SE	2016-2020 2018-2020

STREETBIKE DISC BUYERS GUIDE

Disc No.	F/R	Type	Dia. mm	Hub Color	Profile	Bobbins	Left Bracket	Right Bracket	Model	Year
MD4174X MD4174XC VR4174GRN VR4174BLK	Front Front Front Front	Floating Floating Floating Floating	310 310 310 310	Gold Gold Green Black	Plain Contour Vee Vee	6 6 6 6			KAWASAKI Ninja 400 EX Ninja 400 EX KRT Z 400 Performance Ninja 7 Hybrid Z 7 Hybrid Ninja 500 Z 500	2017-2023 2018-2021 2018-2023 2024 2024 2024 2024
MD4175X 11.5mm offset, 90mm PCD	Front	Floating	330	Gold	Plain	6			KAWASAKI ZX 10 RR Ninja ZX 1000	2017-2024
MD4178AC	Rear	Solid	250		Contour				KAWASAKI EN 650 Vulcan S EN 650 Vulcan S Café EN 650 Vulcan S Performance EN 650 Vulcan S Touring EN 650 Vulcan SE KLE 650 Versys KLE 650 Versys Grand Tourer KLE 650 Versys Tourer	2015-2024 2018-2020 2024 2024 2018-2020 2016-2024 2022-2024 2022-2024
MD4179AC WITH ABS RING	Rear	Solid	220		Contour				KAWASAKI Ninja 125 Z 125 Performance Ninja 250 SL BX Ninja 250 SL BX KRT Edition KLE 300 Versys-X Ninja 300 ER Ninja 300 EX Ninja 400 EX Ninja 400 EX KRT Z 400 Performance Ninja 7 Hybrid Z 7 Hybrid Ninja 500 Z 500	2019-2024 2016-2023 2015-2016 2015-2016 2017-2020 2015-2016 2013-2018 2017-2023 2018-2021 2018-2023 2024 2024 2024 2024
MD4180A MD4181XC	Front Front	Solid Floating	300 300	Black Black	Plain Contour	 6			KAWASAKI EN 650 Vulcan S EN 650 Vulcan S Café EN 650 Vulcan S Performance EN 650 Vulcan S Touring EN 650 Vulcan SE KAWASAKI Ninja 650 EX 650 Ninja 650 EX 650 40th Ann Ed Ninja 650 EX 650 KRT Edition Z 650 ER Z 650 ER 650 Performance Z 900 Z 900 Performance Z 900 RS Z 900 RS Café Z 900 RS Performance Z 900 RS SE Z 900 SE Performance	2015-2024 2018-2020 2024 2024 2018-2020 2017-2024 2024 2017-2024 2017-2018 2017-2023 2018-2024 2018-2020 2018-2021 2022-2024 2017-2023
MD4182	Rear	Solid	250		Plain				KAWASAKI Ninja H2 Carbon ZX 1002cc Ninja H2 R ZX 1000cc Ninja H2 ZX 1000cc	2019-2024 2015-2024 2015-2024
MD4184X	Front	Floating	320	Gold	Plain	6			KAWASAKI Z H2 Performance ZR1000cc Z H2 SE Performance ZR1000cc Z H2 ZR1000cc	2021-2023 2021-2024 2024

DISC BUYERS GUIDE

OFF ROAD DISC BUYERS GUIDE

Disc No.	F/R	Type	Dia. mm	Hub Color	Profile	Bobbins	Left Bracket	Right Bracket	Model	Year
MD6001D MD6001CX OSX6001 OSX6001E SMX6001	Front Front Front Front	Solid Solid Floating Floating	240 240 280 280 320		Plain Contour Contour Contour Contour				HONDA CRM 50 R CRM 75 R CR 125 R XLR 125 RW CTX 200 A Bushlander CRF 230 F AC CRF 230 L CRF 230 M Supermoto SL 230 Free Landsports MD33 AX-1 NX 250 CR 250 R CRM 250 AR MD32 CRM 250 MD24 140 MK3 RR CRM 250 R MK2 MD24 CRM 250 R MK2/2 MD24 NX 250 MD25 XL 250 RL XLR 250 R XR 250 3/5 MD30 Motard XR 250 III Y/3 Baja XR 250 R XR 250 RE XR 250 Y/3 MD30 XR 400 R CR 500 R XR 500 R XR 600 R XR 650 R HONDA DALL-ARA XR 250 R XR 650 R HONDA-HM ITALY CRE 260	1993-1996 1989-1994 1992-1994 1998-2001 2004-2016 2004-2020 2008-2010 2009-2010 1997-2001 1989-1994 1992-1994 1997-1998 1994-1996 1991-1992 1993 1990-1993 1990 1991 2003-2005 2000-2003 1991-2004 1984-1985 2000-2003 1996-2004 1990-1994 1984-1985 1991-2000 2000-2007
MD6002D MD6002CX	Rear Rear	Solid Solid	220 220		Plain Contour				HONDA CR 125 R CR 250 R CR 500 R HONDA-HM ITALY CRE 125 CRE 260	1989-1997 1989-1996 1989-2001 1995-1997 1995-1996
MD6003D	Front	Solid	240		Plain				HONDA CR 125 R CR 250 RL CR 500 RL	1990-1991 1990-1991 1990-1991
MD6004D	Front	Solid	215		Plain				HONDA CR 80 R	1986-1995
MD6005D MD6005CX	Rear Rear	Solid Solid	190 190		Plain Contour				HONDA CR 80 R CR 80 RB Expert CR 85 R HONDA-HM ITALY CRE 80 R CR 85 R	1992-1995 1996-2002 2003-2007 1998-2002 2003-2007
MD6006D	Front	Solid	174		Plain				HONDA TRX 250 EX TRX 250 R Fourtrax TRX 300 EX Fourtrax TRX 300 X TRX 400 EX Fourtrax TRX 400 X TRX 450 TRX 700 X	2001-2011 1988-1989 1993-2008 2009 1999-2008 2009 2004-2009 2008-2012
MD6007D	Rear	Solid	186		Plain				HONDA ATC 250 R TRX 250 R Fourtrax HONDA RACING CALIPER RS 125 NF4	1985-1986 1986-1989 1987-1994

DISC BUYERS GUIDE

OFF ROAD DISC BUYERS GUIDE

Disc No.	F/R	Type	Dia. mm	Hub Color	Profile	Bobbins	Left Bracket	Right Bracket	Model	Year
MD6008D	Front	Solid	240		Plain				HONDA CR 125 R CR 250 R NX 250 MD21 CR 500 R	1989 1989 1987-1990 1989
MD6009D	Rear	Solid	220		Plain				HONDA CR 125 RH/RJ CR 250 RH CR 500 RH	1987-1988 1987-1988 1987-1988
MD6010D MD6010CX SMX6010	Front Front Front	Solid Solid Floating	256 256 320	Black	Plain Vee Contour	6			HONDA XR 300 R10 NX 500 Dominator XL 600 Transalp NX 650 Dominator XR 650 L	2010 1988-1999 1997-1999 1988-2002 1993-2024
MD6011D	Rear	Solid	220		Plain				YAMAHA GT 125 Hammerhead YZ 125 WR 250 2T YZ 250 WR 400 FK YZ 400 FK WR 500 ZD	2012-2018 1988-1997 1991-1997 1988-1997 1998 1998 1992
MD6012D	Front	Solid	245		Plain				YAMAHA WR 250 ZB YZ 250	1991 1990-1991
MD6013D MD6013CX	Rear Rear	Solid Solid	220 220		Plain Contour				HONDA CRF 230 L CRF 230 M Supermoto SL 230 Free Landsports MD33 CRM 250 AR MD32 CRM 250 MD24 140 MK3 RR CRM 250 R MK2 MD24 CRM 250 R MK2/2 MD24 XL 250 RL XLR 250 R XR 250 3/5 MD30 Motard XR 250 III Y/3 Baja XR 250 R XR 250 Y/3 MD30 XR 300 R10 XR 400 R NX 500 Dominator XR 600 R NX 650 Dominator HONDA DALL-ARA XR 250 R XR 250 SM XR 400/440 R XR 400/440 SM	2008-2010 2009-2010 1997-2001 1997-1998 1994-1996 1991-1992 1993 1990 1988-1991 2003-2005 2000-2003 1990-2004 2000-2003 2010 1996-2004 1988-1991 1991-2000 1988-1991 2004 2004 2004 2004
MD6014D MD6014CX	Rear Rear	Solid Solid	220 220		Plain Vee				KAWASAKI KLX 400 R SUZUKI DR 125 RM 125 RM 250 RMX 250 DR-Z 400 E DR-Z 400 S	2003-2004 2008-2012 1988-1998 1987-1998 1989-1999 2000-2007 2011-2023
MD6015D MD6015CX OSX6015 SMX6015	Front Front Front Front	Solid Solid Floating Floating	250 250 280 320	Silver Black	Plain Vee Contour Contour	6 6	BRK023 BRK024		KAWASAKI KX 125 M KDX 200 E KLX 250 R KX 250 K KLX 300 A KX 500 E	1989-2008 1993-1994 1993-1994 1989-2002 1997-2007 1989-2004

OFF ROAD DISC BUYERS GUIDE

Disc No.	F/R	Type	Dia. mm	Hub Color	Profile	Bobbins	Left Bracket	Right Bracket	Model	Year
MD6016D	Front	Solid	230		Plain				YAMAHA YZ 125 W YZ 250 W WR 500 ZD	1989 1989 1992
MD6017D MD6017CX OSX6017 OSX6017E SMX6017 SMX6017/1	Front Front Front Front Front Front	Solid Solid Floating Floating Floating Floating	250 250 280 280 320 320		Plain Vee Contour Contour Contour Contour				KAWASAKI KLX 400 R SUZUKI DR 125 RM 125 RM 125 X DR 250 Djebel 250 XC/GPS SJ45A DR 250 SJ45A/DOHC DR-Z 250 SJ 44 A RM 250 RM 250 RM 250 XCK8 RMX 250 DR 350 SE DR-Z 400 E DR-Z 400 S	2003-2004 2008-2012 1989-2012 1999-2009 1996-1998 1995-2000 2001-2007 1999-2012 1989-1998 2009 1989-1998 1998-1999 2000-2007 2011-2023
MD6018D MD6018C OSX6018	Front Front Front	Solid Solid Floating	200 200 250		Plain Contour Vee			BRK001	SUZUKI RM 80 RC12A	1986-2004
MD6020D	Front	Solid	160		Plain				SUZUKI LT 250	1987-1990
MD6021D	Rear	Solid	220		Plain				CAN AM ATV DS 450 Xxc/Xmx SUZUKI LT 250	2008-2015 1987-1990
MD6022D	Front	Solid	170		Plain				SUZUKI LT 500 RL	1990
MD6023D	Rear	Solid	240		Plain				SUZUKI LT 500 RL	1990
MD6024D MD6024CX	Rear Rear	Solid Solid	220 220		Plain Contour				KAWASAKI KX 125 KDX 200 E KX 250 KX 500 E	1989-2002 1989-1994 1989-2002 1989-2004
MD6025D MD6025C	Rear Rear	Solid Solid	185 185		Plain Contour				KAWASAKI KX 80 KX 100 SUZUKI RM 80 RC12A	1988-2000 1989-2000 1990-2004
MD6026D	Front	Solid	220		Plain				KAWASAKI KX 80 KX 100	1992-2000 1992-2000
MD6027D	Front	Solid	200		Plain				KAWASAKI KX 80 KX 100	1984-1991 1989-1991
MD6028D MD6028CX OSX6028 OSX6028E SMX6028	Front Front Front Front Front	Solid Solid Floating Floating Floating	245 245 280 280 320		Plain Vee Contour Contour Contour			BRK035	YAMAHA YZ 125 WR 250 2T WR 250 F 4T WR 250 F 4T Reverse Cyl YZ 250 2T YZ 250 F WR 400 F YZ 400 F WR 426 F YZ 426 FM WR 450 F YZ 450 F	1992-2007 1992-1998 2003-2013 2015-2016 1992-2007 2001-2006 1998-2001 1998-1999 2001-2002 2000-2002 2003-2015 2003-2007

OFF ROAD DISC BUYERS GUIDE

Disc No.	F/R	Type	Dia. mm	Hub Color	Profile	Bobbins	Left Bracket	Right Bracket	Model	Year
MD6029D	Front	Solid	190		Plain				YAMAHA YZ 80	1986-1989
MD6030D	Front	Solid	220		Plain				SUZUKI RM 85	2005-2023
MD6030C	Front	Solid	220		Contour				YAMAHA YZ 80	1993-2001
MD6030CX	Front	Solid	220		Vee				YAMAHA YZ 80	1993-2001
OSXY6030	Front	Floating	250	Silver	Contour	6	BRK036		YZ 80	1993-2001
OSXS6030	Front	Floating	250	Silver	Contour	6	BRK029		YZ 85	2002-2024
MD6031D	Rear	Solid	190		Plain				YAMAHA YZ 80	1993-2001
MD6031CX	Rear	Solid	190		Contour				YZ 85	2002-2024
MD6032D	Front	Solid	260		Plain				BETA RR Enduro 125 2T	2018-2024
MD6032CX	Front	Solid	260		Contour				RR Racing 125 2T	2019-2024
OSX6032	Front	Floating	280	Silver	Contour	6	BRK011		200 RR Enduro	2019-2024
OSX6032E	Front	Floating	280	Silver	Contour	6	BRK015		200 RR Racing	2021-2024
SMX6032	Front	Floating	320	Black	Contour	6	BRK012		250 RR Enduro	2013-2024
SMX6932	Front	Floating	320	Black	Contour	6	BRK014		250 RR Racing	2021-2024
SMX6032E	Front	Floating	320	Black	Contour	6	BRK016		250 X-Trainer	2019-2022
									300 RR Enduro	2013-2024
									300 RR Racing	2021-2024
									300 RX	2021-2024
									300 X-Trainer	2019-2024
									350 RR Enduro	2012-2024
									350 RR Racing	2019-2024
									350 RR-S Enduro	2013-2022
									390 RR Enduro	2015-2024
									390 RR Racing	2015-2024
									400 RR Enduro	2012-2014
									430 RR Enduro	2015-2024
									430 RR Racing	2015-2024
									430 RR-S Enduro	2015-2022
									450 RR Cross Country	2012
									450 RR Enduro	2012-2014
									450 RR Racing	2013-2020
									450 RX	2024
									480 RR Enduro	2015-2024
									480 RR Racing	2015-2024
									RR 498 Enduro	2012-2020
									RR 498 Enduro Racing	2013-2014
									500 RR-S Enduro	2020-2022
									GAS-GAS PIERER MOB MC 125	2021-2024
									EC 250 Enduro	2021-2024
									EC 250F Enduro	2021-2024
									EX 250 Cross Country	2021-2023
									EX 250 F Cross Country	2021-2023
									MC 250 2T	2021-2024
									MC 250F 4T	2021-2024
									EC 300 Enduro	2021-2024
									EX 300 Cross Country	2021-2023
									EC 350F Enduro	2021-2024
									EX 350F Cross Country	2021-2023
									MC 350F	2021-2024
									EC 450F Enduro	2023-2024
									EX 450F Cross Country	2021-2023
									MC 450F	2021-2024
									MC 450F Factory Edition	2023-2024
									MC 450F Troy Lee Designs Bam Bam styler	2022-2023
									MC 500F	2024
									HUSABERG TE 125	2012-2014
									FE 250	2013-2014
									TE 250	2011-2014
									TE 300	2011-2014
									FE 350	2013-2014
									FE 390	2010-2012
									All models	2000-2005
									FE 450	2009-2013
									FE 450 E	2006-2008
									FX 450	2010-2011
									FE 501	2013-2014
									FE 550 E	2006-2008

OFF ROAD DISC BUYERS GUIDE

Disc No.	F/R	Type	Dia. mm	Hub Color	Profile	Bobbins	Left Bracket	Right Bracket	Model	Year
MD6032D									FE 570	2009-2012
MD6032CX									FE 650 E	2006-2008
OSX6032									HUSQVARNA	
OSX6032E									TC 125	2014-2024
SMX6032									TE 125	2014-2019
SMX6932									TE 150 Tpi	2018-2024
SMX6032E									FC 250 T	2014-2024
Contd.									FE 250 T	2014-2024
									TC 250	2014-2024
									TE 250	2014-2018
									TE 250 Tpi	2019-2024
									TE 300	2014-2020
									TE 300 Tpi	2019-2024
									TE 300 Tpi Jarvis Edition	2019-2021
									TX 300 Tpi	2018-2021
									FC 350 FC 350	2014-2024
									FE 350	2014-2024
									FX 350	2014-2021
									FC 450	2014-2024
									FC 450 Rockstar Edition	2019-2022
									FE 450	2014-2024
									FX 450	2017-2021
									FE 501 inc S Model	2014-2024
									KTM	
									EXC 125	1995-2017
									EXC 125 Six Days	2011-2017
									EXC/EGS 125	1994
									EXE 125	2000
									LC2 125	1996-1998
									MX 125	1992-1993
									SX 125	1994-2024
									XC-W 125	2017-2019
									150 EXC Tpi	2021-2024
									SX 150	2008-2022
									XC 150	2011-2013
									XC-W 150 Tpi	2017-2021
									EXC 200	2004-2008
									EXC 200 Inc Six Days	2009-2016
									EXC/EGS 200	1998-2003
									D-XC/E-XC/T-XC/E-GS 250	1992-1993
									EXC 250	1995-2023
									EXC 250 Racing	2006
									EXC 250 Tpi	2018-2024
									EXC/EGS 250	1994
									EXC-F 250	2006-2024
									MX 250	1992-1993
									SX 250	1994-2024
									SX-F 250	2006-2024
									SX-F 250 Ken Roczen Edition	2012
									SX-F 250 Prado	2020
									XC 250	2011-2017
									XC 250 Tpi	2019-2022
									XC-F 250	2011-2020
									EXC 300	2000-2019
									EXC 300 Six Days	2011-2020
									EXC 300 Tpi	2019-2024
									EXC-E 300	2008-2009
									SX 300	2023-2024
									XC 300	2011-2023
									EXC 350	1996-1997
									EXC 350 LC4	1994-1995
									EXC-F 350	2011-2024
									SX-F 350	2011-2024
									SX-F 350 Tony Cairoli Edition	2012
									XC-F 350 Inc XCF-W	2012-2021
									EXC 360	1996-1997
									SX 360	1996-1997
									EXC 380	1998-2003
									SX 380	1998-2003
									EXC 400 Racing	2000
									EXC 400 Racing	2004-2007
									EXC/EGS 400 EGS 400	2000-2003
									SC 400 Supercompetition LC4	1996-1999
									SX 400	2000-2002
									EXC 440	1994-1995

OFF ROAD DISC BUYERS GUIDE

Disc No.	F/R	Type	Dia. mm	Hub Color	Profile	Bobbins	Left Bracket	Right Bracket	Model	Year
MD6032D MD6032CX OSX6032 OSX6032E OSX6032ORG OSX6032EORG OSX6932ORG SMX6032 SMX6932 SMX6032E SMX6032ORG SMX6032EORG Contd.									SX 440 EXC 450 EXC 450 Racing EXC-F 450 EXC-R 450 SX 450 SX-F 450 SX-F 450 Cairoli Edition 500 XCF-W EXC-F 500 SX-F 505 EXC 520 SX 520 EXC 525 MXC 525 Desert Racing SX 525 XC 525 EXC 530 EXC 530 Six Days EXC-R 530 MXC 550 EGS-E 620 Adventure/Rallye SC 620 Supercompetition SX 620 SX 620 EXC/EGS LC4 625 SC Supercompetition SXC 625	1994-1995 2003-2008 2006-2007 2009-2024 2008 2003-2006 2007-2024 2021-2022 2021 2012-2024 2007-2009 2001-2003 2001-2003 2003-2006 2003-2004 2003-2006 2006-2007 2009-2010 2011 2008 1996 1999 1996-2000 1996-1999 1994-1995 2002 2003-2006
MD6034D	Front	Solid	220		Plain				KTM D-XC/E-XC/E-GS 125 EXC 125 DXC/EXC 250 D-XC/E-XC/E-GS 250 EXC/EGS 250 DXC/EXC/EGS 350 EXC 350 LC-4 EXC 500 LC-4 MX/EXC 500 LC4 EXC 600 LC4 MX/EXC 600	1990-1993 1989 1990 1991 1989 1990-1991 1989 1990-1991 1989 1990-1993 1989
MD6035D MD6035CE MD6035CX	Rear Rear Rear	Solid Solid Solid	220 220 220		Plain Contour Contour				GAS-GAS PIERER MOB EC 250 Enduro EC 250F Enduro EX 250 Cross Country EX 250 F Cross Country MC 250 2T MC 250F 4T EC 300 Enduro EX 300 Cross Country EC 350F Enduro EX 350F Cross Country MC 350F EC 450F Enduro EX 450F Cross Country MC 450F MC 450F Factory Edition MC 450F Troy Lee Designs Bam Bam styler RX 450F Rally Replica MC 500F HUSABERG TE 125 FE 250 TE 250 TE 300 FE 350 FE 390 All models FE 450 FE 450 E FS 450 C FS 450 E FX 450 FE 501 FE 550 E	2021-2024 2021-2024 2021-2023 2021-2023 2021-2024 2021-2024 2021-2024 2021-2023 2021-2024 2021-2023 2021-2023 2021-2024 2023-2024 2021-2023 2021-2024 2022-2023 2023-2024 2024 2012-2014 2013-2014 2011-2014 2011-2014 2013-2014 2010-2012 2000-2005 2009-2013 2006-2008 2006 2006-2008 2010-2011 2013-2014 2006-2008

DISC BUYERS GUIDE

OFF ROAD DISC BUYERS GUIDE

Disc No.	F/R	Type	Dia. mm	Hub Color	Profile	Bobbins	Left Bracket	Right Bracket	Model	Year
MD6035D MD6035CE MD6035CX Contd.									FS 550 E Supermoto Supermoto	2005-2007
									All Supermotard models	2000-2003
									FE 570	2009-2012
									FS 570 Supermoto	2010-2011
									FE 650 E	2006-2008
									FS 650 C Supermoto	2006-2008
									FS 650 E Supermoto	2005-2008
									FS Supermotard Models	2004
									FS Supermotard Models	2005
									HUSQVARNA	
									TC 125	2014-2024
									TE 125	2014-2019
									TE 150 TPI	2018-2024
									FC 250 T	2014-2024
									FE 250 T	2014-2024
									TC 250	2014-2024
									TE 250	2014-2018
									TE 250 TPI	2019-2024
									TE 300	2014-2020
									TE 300 TPI	2019-2024
									TE 300 TPI Jarvis Edition	2019-2021
									TE 300 TPI RockStar Edition	2022
									TX 300 Tpi	2018-2021
									FC 350 FC 350	2014-2024
									FE 350	2022
									FE 350	2014-2024
									FX 350	2014-2021
									FC 450	2014-2024
									FC 450 Rockstar Edition	2019-2022
									FE 450	2014-2024
									FS 450	2015-2024
									FX 450	2017-2021
									FE 501 inc S Model	2014-2024
									KTM	
									EXC 125	1995-2017
									EXC 125 Six Days	2011-2017
									EXC/EGS 125	1994
									EXE 125	2000
									LC2 125	1996-1998
									SM 125 Supermoto	2000
									SX 125	1994-2024
									XC-W 125	2017-2019
									150 EXC TPI	2021-2024
									SX 150	2008-2022
									XC 150	2011-2013
									XC-W 150 Tpi	2017-2021
									EXC 200	2004-2008
									EXC 200 Inc Six Days	2009-2016
									EXC/EGS 200	1998-2003
									EXC 250	1995-2023
									EXC 250 Racing	2006
									EXC 250 Six Days	2011-2024
									EXC 250 Tpi	2018-2024
								EXC/EGS 250	1994	
								EXC-F 250	2006-2024	
								EXC-F 250 Six Days	2011-2024	
								SX 250	1994-2024	
								SX-F 250	2006-2024	
								SX-F 250 Ken Roczen Edition	2012	
								SX-F 250 Prado	2020	
								XC 250	2011-2017	
								XC 250 Tpi	2019-2022	
								XC-F 250	2011-2020	
								EXC 300	2000-2019	
								EXC 300 Six Days	2011-2020	
								EXC 300 Tpi	2019-2024	
								EXC 300 Tpi Six Days	2020-2024	
								EXC-E 300	2008-2009	
								SX 300	2023-2024	
								XC 300	2011-2023	
								EXC 350	1996-1997	
								EXC-F 350	2011-2024	
								EXC-F 350 Factory Edition	2022	
								EXC-F 350 Six Days	2012-2024	
								EXC-F 350 WESS Edition	2021-2022	

OFF ROAD DISC BUYERS GUIDE

Disc No.	F/R	Type	Dia. mm	Hub Color	Profile	Bobbins	Left Bracket	Right Bracket	Model	Year
MD6035D MD6035CE MD6035CX Contd.									SX-F 350 SX-F 350 Tony Cairoli Edition XC-F 350 Inc XCF-W EXC 360 SX 360 EXC 380 SX 380 EXC 400 Racing LC4-E 400 Enduro SX 400 EXC 450 EXC 450 Racing EXC-F 450 EXC-F 450 Six Days EXC-R 450 SMR 450 SX 450 SX-F 450 SX-F 450 Cairoli Edition 500 XCF-W EXC 500 Six Days EXC-F 500 LC-4 EXC 500 LC-4 MX 500 SX-F 505 EXC 520 SX 520 EXC 525 MXC 525 Desert Racing SMR 525 SX 525 XC 525 EXC 530 EXC 530 Six Days EXC-R 530 MXC 550 SMR 560	2011-2024 2012 2012-2021 1996-1997 1996-1997 1998-2003 1998-2003 2000-2007 2000-2001 2000-2002 2003-2008 2006-2007 2009-2024 2011-2024 2008 2004-2022 2003-2006 2007-2024 2021-2022 2021 2012-2024 2012-2024 1990-1991 1990-1991 2007-2009 2001-2003 2001-2003 2003-2006 2003-2004 2004-2005 2003-2006 2006-2007 2009-2010 2011 2008 1996 2006-2007
MD6036D	Front	Solid	250		Plain				KAWASAKI KX 125 KDX 200 C KDX 200 E KDX 200 SR KX 250 D1 KX 250 D2 KX 250 E KX 500	1985-1988 1986-1988 1989-1992 1989-1992 1985 1986 1987-1988 1985-1988
MD6037D MD6037CX OS6037C OSX6037 SMX6037 OSX6437 SMX6437	Front Front Front Front Front Front	Solid Solid Solid Floating Floating Floating	240 240 280 280 320 280 320		Plain Contour Contour Contour contour Contour			6 6 6 6 6	HONDA CR 125 R CR 250 R CR 250 RS CRF 250 F CRF 250 R CRF 250 X CRF 250 XRL CRF 450 R CRF 450 X CRF 450 XRL CR 500 R HONDA DALL-ARA XR 400/440 R XR 400/440 SM HONDA-HM ITALY CRE 125 CRE 125 R Enduro CRE 125 R Supermotard CRF 230 Easy Enduro CRF 230 Easy Motard CRF 230 F Easy Trial All models CR 250 R Moto CRE 250 F CRE 250 FX CRE 250 R CRE 250 R Enduro	1995-2007 1997-2007 1995-1996 2019-2023 2004-2016 2004-2020 2014-2020 2002-2014 2005-2016 2014-2016 1995-2001 2004 2004 1995-2001 2002-2007 2002-2006 2004-2007 2004-2007 2004-2007 2004 2004-2009 2008-2011 1997-2002 2002-2007

DISC BUYERS GUIDE

OFF ROAD DISC BUYERS GUIDE

Disc No.	F/R	Type	Dia. mm	Hub Color	Profile	Bobbins	Left Bracket	Right Bracket	Model	Year
MD6037D MD6037CX OS6037C OSX6037 SMX6037 OSX6437 SMX6437 Contd.									CRE 250 R Supermotard CRF 250 CRF 250 F CRF 250 Motard CRE 290 FC CRE 300 FX CRE 450 F CRE 450 F Supermoto CRE 450 R Enduro CRE F 450 R Enduro CRE F 450 XR CRF 450 Motard R CRF 450 RR CRE F 490 X CRE F 500 X	2002-2003 2008-2009 2004-2008 2004-2006 2007 2008-2009 2002 2002-2003 2002-2007 2004-2008 2004-2009 2004-2006 2004-2009 2007 2008-2009
MD6038D MD6038CX	Rear Rear	Solid Solid	220 220		Plain Contour				SUZUKI TS 125 SF15A TS 200 R DR 250 SJ 44A DR 350 S DR 350 SE	1990-1996 1989-1994 1990-1995 1990-1993 1994-1995
MD6039D	Front	Solid	230		Plain				YAMAHA DT 125 R DT 125 RE YZ 125 U DT 200 R TT 250 R YZ 250 U TT 350 1TJ TT 350 A 3GJ YZ 490 U TT 600 N 59X TT 600 W 2JT/3SW1	1988-2003 2004-2007 1988 1993 1990 1988 1985-1989 1990-1995 1988 1985-1988 1989-1992
MD6040D MD6040CX OSX6040	Front Front Front	Solid Solid Floating	250 250 280	Silver	Plain Contour Plain	6			SUZUKI DR 250 SJ 44A DR 350 S DR 350 SE	1990-1995 1990-1993 1994-1999
MD6042D MD6042CX SMX6042	Front Front Front	Solid Solid Floating	260 260 320	Black	Plain Contour Contour	6	BRK017		KAWASAKI KLR 650 A	1987-1989
MD6044D	Front	Solid	276		Plain				HONDA XL 600 V Transalp FX 650 Vigor SLR 650 XLV 750 R	1987-1996 1999-2003 1997-1998 1983-1988
MD6045D MD6045CX	Rear Rear	Solid Solid	220 220		Plain Contour				HONDA XR 650 L	1993-2021
MD6046D	Front	Solid	166		Plain				HONDA TRX 250 R Fourtrax	1986-1987
MD6047D	Front	Solid	203		Plain				YAMAHA YTZ 250 TR1-Z	1985-1986
MD6050D	Rear	Solid	220		Plain				YAMAHA YFS 200 Blaster	1991-2002
MD6051D	Front	Solid	161		Plain				YAMAHA YFZ 350 Banshee	1987-1989
MD6053D	Rear	Solid	220		Plain				DERBI DXR 200 Quad YAMAHA YFM 350 Wolverine YFZ 350 Banshee	2004-2007 1995-2004 1987-1989

OFF ROAD DISC BUYERS GUIDE

Disc No.	F/R	Type	Dia. mm	Hub Color	Profile	Bobbins	Left Bracket	Right Bracket	Model	Year
MD6054D	Front	Solid	161		Plain				DERBI DXR 200 Quad YAMAHA YFS 200 Blaster YFM 250 Bear Tracker YFM 250 Big Bear YFM 250 Bruin YFM 250 R 1BT YFM 250 R 33B YFM 250 Raptor YFM 350 Raptor YFM 350 Warrior YFZ 350 Banshee YFM 400 FGW/FGX Grizzly YFZ 450 YFM 660 Raptor YFM 700 Raptor YFM 700 RSE	2004-2007 2003-2006 2001-2004 2007-2010 2005-2006 2012-2013 2009-2011 2008-2009 2004-2009 1992-2004 1990-2009 2007-2008 2004-2014 2001-2005 2006-2014 2013-2022
MD6055D	Rear	Solid	245		Plain				YAMAHA YFM 350 Warrior	1992-2004
MD6057D	Front	Solid	240		Plain				KAWASAKI KMX 200 KLR 250 D	1988-1992 1984-2005
MD6058D MD6058CX OSX6058	Front Front Front	Solid Solid Floating	220 220 280	Silver	Plain Contour Contour	6	BRK026		HONDA CR 80 RB Expert CRE 80 R CR 85 R HONDA-HM ITALY CRE 80 CRE 80 CR 85 R/R2	1996-2002 1998 2003-2007 1998-2002 2003-2007
MD6059D	F/R	Solid	206		Plain				HONDA ATC 200 ATC 250 R	1983 1983-1986
MD6060D	Front	Solid	156		Plain				HONDA ATC 250 R	1981-1982
MD6064D	Rear	Solid	220		Plain				HONDA TRX 300 EX Fourtrax	1993-2009
MD6066D	Front	Solid	245		Plain				YAMAHA DT 200 WR 3XP WR 200 D/E/F DT 230 Lanza TT-R 230 TT 250 R TT 250 R Raid TT 250 RL	1992-1993 1992-1994 1997-1998 2023-2024 1993-1997 1994-1996 1999-2000
MD6067D	Front	Solid	220		Plain				YAMAHA DT 125 LC TW 125 5EK/5RS XTZ 125 5RM YZ 125 S/T DT 200 2LR TW 200 ST 225 5BT Bronco TW 225 E 5VC1/2 XT 225 Serrow XT 225 Serrow Brasil XG 250 Tricker 5XT1 YZ 250 S/T YZ 490 S/T	1986-1987 1999-2004 2003-2010 1986-1987 1987 1991-2001 1997 2002-2003 1986-1998 1997-2006 2004-2006 1986-1987 1986-1987
MD6068D	Front	Solid	245		Plain				YAMAHA XT 250 Serrow 3C51/2 XT 350	2005-2008 1985-1995
MD6070D	Front	Solid	267		Plain				YAMAHA XT 600 XT 600 600 Z Tenere	1984-1987 1988-1990

OFF ROAD DISC BUYERS GUIDE

Disc No.	F/R	Type	Dia. mm	Hub Color	Profile	Bobbins	Left Bracket	Right Bracket	Model	Year
MD6070D Contd.									XT 600 E XT 600 Z Tenere	1992-1994 1984-1990
MD6072D	Rear	Solid	220		Plain				YAMAHA XT 600 XT 600 E XTZ 660 Tenere	1987 1992-2003 1991-1998
MD6073D	Front	Solid	230		Plain				SUZUKI DR 125 TS 125 XU DF 200 SH42A DR 200 G/H/J DR 200 SE Trojan DR 200 SH42A Djebel SX 200 SH41A	1985-2001 1986-1990 1998-2000 1986-1989 1996-2013 1993-2000 1990-1991
MD6075D	Front	Solid	240		Plain				SUZUKI TS 250 X DR 600 SN41A	1985-1989 1985-1989
MD6076D	Front	Solid	280		Plain				SUZUKI DR 650 DR 750 SJ SR41A DR 800 SL SR43A	1990-1991 1988-1989 1990
MD6077D	Rear	Solid	250		Plain				SUZUKI DR 600 SN41A DR 650 DR 750 SK SR41A DR 800 SL SR43A DR 800 SR43B	1989 1990-1995 1989 1990 1991-1997
MD6078D	Front	Solid	300		Plain				SUZUKI DR 650	1991-1995
MD6080D	Front	Solid	250		Plain				KAWASAKI KLR 600	1984-1994
MD6081D	Front	Solid	280		Plain				KAWASAKI KL 650 Tengai KLR 650 C	1989-1992 1995-2004
MD6082D MD6082CX	Rear Rear	Solid Solid	230 230		Plain Contour				KAWASAKI KLE 500 A/B KL 650 Tengai KLR 650	1991-2007 1989-1992 1987-2004
MD6083D MD6083CX	Front Front	Solid Solid	250 250		Plain Contour				KAWASAKI KDX 125 KDX 200 H KDX 220 R KDX 220 SR KDX 250 D KDX 250 SR F1	1990-1994 1995-1999 1997-2006 1989-1991 1991-1993 1991
MD6085D	Rear	Solid	230		Plain				KAWASAKI KLX 250 ES KLX 250 G1 KLX 250 R KLX 650 C	1994-1997 1994 1993-1994 1993-1997
MD6086D	Front	Floating	290	Gold	Plain	9			KAWASAKI KLX 650 C	1993-1997
MD6087D	Front	Floating	240		Plain	9			HONDA CR 125 R MTX 125 RWE XL 125 RF MTX 200 CR 250 R CRM 250 R MK1 MD24 XLR 250 R MD22 XR 250 R XR 350 RE	1984-1988 1985-1995 1985-1986 1985 1984-1988 1989-1990 1988-1990 1986-1990 1984

OFF ROAD DISC BUYERS GUIDE

Disc No.	F/R	Type	Dia. mm	Hub Color	Profile	Bobbins	Left Bracket	Right Bracket	Model	Year
MD6087D Contd.									CR 500 R XL 600 R XR 600 R	1984-1988 1983-1987 1985-1990
MD6091D	Front	Solid	250		Plain				KAWASAKI KLX 250 ES KLX 250 G1	1994-1997 1994
MD6093D	Front	Solid	300		Plain				KAWASAKI KLE 500	1991-2007
MD6094D MD6094CX SMX6094	Front Front Front	Floating Floating Floating	290 290 320	Black	Plain Contour Contour	6	BRK003		SUZUKI DR 650 S-SE	1996-2023
MD6095D MD6095CX	Rear Rear	Solid Solid	240 240		Plain Contour				SUZUKI DR 650 S-SE XF 650 Freewind	1996-2023 1997-2002
MD6096D	Front	Solid	255		Plain				HONDA XL 600 LM	1985-1987
MD6097D	Rear	Solid	240		Plain				HONDA XL 600 Transalp XL 650 Transalp XRV 650 Africa Twin	1994-1999 2000-2007 1988-1989
MD6099D	Rear	Solid	220		Plain				HONDA NX 500 Dominator FMX 650 FX 650 Vigor NX 650 Dominator SLR 650	1992-1999 2005-2008 1999-2003 1992-2002 1997-1998
MD6102	Front	Solid	276		Plain				HONDA XRV 750 Africa Twin	1990-2003
MD6103D	Rear	Solid	256		Plain				HONDA XRV 750 Africa Twin XL 1000 Varadero	1990-2003 1999-2002
MD6105D MD6105CX	Rear Rear	Solid Solid	220 220		Plain Contour				KAWASAKI KDX 125 KDX 200 H KDX 200 SR KDX 220 R KDX 220 SR KDX 250 D KDX 250 SR F1 KLX 250 D-Tracker KLX 250 S KLX 300 A SUZUKI 250 SBK 2 LX 250 L	1990-1994 1995-1999 1989-1992 1997-2006 1989-1991 1991-1993 1991 1998-2003 2006-2007 1997-2007 2002
MD6106D	Front	Solid	230		Plain				KAWASAKI KMX 125	1986-2003
MD6107D	Rear	Solid	210		Plain				KAWASAKI KMX 125 KL 250 Stockman KL 250 Super Sherpa KLX 250 H1 Super Sherpa	1986-2003 2012-2018 1997-2000 1998
MD6108D	Rear	Solid	210		Plain				KAWASAKI KMX 200	1988-1992
MD6109D	Front	Solid	240		Plain				SUZUKI TS 125 SF15A TS 200 R	1990-1996 1989-1994

OFF ROAD DISC BUYERS GUIDE

Disc No.	F/R	Type	Dia. mm	Hub Color	Profile	Bobbins	Left Bracket	Right Bracket	Model	Year
MD6110D MD6110CX	Rear Rear	Solid Solid	220 220		Plain Contour				SUZUKI DR 250 Djebel 250 XC/GPS SJ45A DR 250 SJ45A/DOHC DR-Z 250 SJ 44 A DR 350 SE	1996-1998 1995-2000 2001-2007 1996-1999
MD6113D	Front	Floating	300	Gold	Plain	6			SUZUKI XF 650 Freewind DR 800 SR43B DR 800 ST/SV SR43B	1997-2002 1991-1995 1996-1997
MD6115D	Rear	Solid	220		Plain				YAMAHA DT 125 R DT 125 RE TDR 125 4GW/GX DT 200 R	1988-2003 2004 1993-2003 1993
MD6116D	Front	Solid	280		Plain				YAMAHA TDR 125 4GW/GX XT 600 E XTZ 660 Tenere	1993-2003 1995-2003 1991-1998
MD6118D	Front	Solid	245		Plain				YAMAHA XTZ 750 Super Tenere	1989-1995
MD6119D	Rear	Solid	245		Plain				YAMAHA XTZ 750 Super Tenere	1989-1995
MD6121D MD6121C	Rear Rear	Solid Solid	220 220		Plain Contour				YAMAHA DT 125 RE DT 125 X WR 125 R WR 125 X Supermoto DT 200 WR 3XP WR 200 D/E/F DT 230 Lanza TT 250 R TT 250 R Raid TT 250 R	2005-2007 2005-2006 2009-2015 2009-2018 1992-1993 1992-1994 1997-1998 1993-1997 1994-1996 1999-2000
MD6123D	Front	Solid	180		Plain				YAMAHA YFM 350 L Big Bear YFM 350 Wolverine YFM 400 Big Bear YFM 400 FAM/FAN YFM 400 FWP Big Bear 4 x 4	1999 1995-2004 2003-2004 2000-2001 2002
MD6124D MD6124CX	Rear Rear	Solid Solid	240 240		Plain Contour				HONDA CR 125 R CR 250 R HONDA-HM ITALY CRE 125 CRE 250 R CRE 260 LEXMOTO LSM 50 STR50 Adrenaline 125 XFLM125GY-2B LSM 125 STR125YB	1998-2001 1997-2001 1998-2001 1997-2001 1997-1998 2012-2016 2013-2018 2012-2018
MD6125D OSX6125 SMX6125	Front Front Front	Solid Floating Floating	260 280 320	Silver Black	Plain Contour Contour	6 6		BRK007	HUSABERG All models HUSQVARNA CR 125 SM 125 WR 125 R WRE 125 R CR 250 WR 250 TE 350 CR 360 WR 360 TE 410 TC 610 TC 610 E TE 610	1993-1999 1992-1999 1998-1999 1993-1999 1993-1999 1992-1999 1992-1999 1992-1997 1992-1994 1992-1999 1995-1999 1992-1994 1995-1999 1992-2004

OFF ROAD DISC BUYERS GUIDE

Disc No.	F/R	Type	Dia. mm	Hub Color	Profile	Bobbins	Left Bracket	Right Bracket	Model	Year
MD6125D OSX6125 SMX6125 Contd.									MALAGUTI Spider Max GT 500 Spider Max RS 500	2004-2010 2004-2011
MD6126D	F/R	Solid	220		Plain				HUSABERG All models HUSQVARNA CR 125 SM 125 WR 125 R WRE 125 R WR 240 CR 250 WR 250 WR 260 TE 350 CR 360 WR 360 TE 410 TE 410 E TC 510 TE 510 SM 610 TC 610 TC 610 E TC 610 R TE 610	1993-1999 1991-1999 1998-1999 1991-1999 1993-1999 1990-1991 1991-1999 1990-1999 1990-1991 1990-1997 1992-1994 1992-1999 1995-1999 2000 1990 1990 1998-1999 1992-1994 1995-1999 1991 1991-2000
MD6128D	Rear	Solid	220		Plain				APRILIA Pegaso 650	1991-2000
MD6129D	Front	Solid	300		Plain				APRILIA Pegaso 650 Pegaso 650 ie Pegaso 650 Trial	1991-2000 2001-2004 2006-2008
MD6130D MD6130CF MD6130DF MD6130CX	Front Front Front Front	Solid Floating Floating Solid	300 300 300 300	Silver Silver	Plain Contour Plain Contour	9 9			GAS-GAS PIERER MOB RX 450F Rally Replica HUSQVARNA FR 450 Rally KTM EGS 400/EGS-E/LSE LC4 Enduro LC4-E 400 Enduro 450 Rally EGS 620 Enduro/EGS-E/LSE LC4-E 640 Enduro	2023-2024 2016-2024 1996-1999 2000-2001 2017-2024 1996-1999 2000-2004
MD6131D	Front	Solid	200		Plain				KAWASAKI KLF 300 Bayou KVF 300 Prairie 2 x 4/4 x 4 KLF 400 Bayou KVF 400 Prairie	1989-2005 1999-2002 1993-1999 1997-2002
MD6132D	Rear	Solid	220		Plain				KAWASAKI KSF 250 Mojave KEF 300 Lakota Sport	1987-2004 2001-2003
MD6133D	Front	Solid	170		Plain				KAWASAKI KSF 250 Mojave KXF 250 Tecate 4 KEF 300 Lakota Sport KLF 300 Bayou	1987-2004 1987-1988 2001-2003 1988-2004
MD6134D	Rear	Solid	220		Plain				KAWASAKI KXT 250 B2 Tecate	1987
MD6135D MD6135C MD6135CE MD6135CX	Rear Rear Rear Rear	Solid Solid Solid Solid	240 240 240 240		Plain Contour Contour Contour				YAMAHA YZ 125 YZ 125 YZ 125 Monster Energy WR 250 FN WR 250 ZK 5EN1 YZ 250 YZ 250	1998-2000 2021-2023 2022 2001 1998 1998-2000 2021-2024

OFF ROAD DISC BUYERS GUIDE

Disc No.	F/R	Type	Dia. mm	Hub Color	Profile	Bobbins	Left Bracket	Right Bracket	Model	Year
MD6135D MD6135C MD6135CE MD6135CX Contd.									YZ 250 F YZ 250 FN YZ 250 Monster Energy YZ 250 N WR 400 F YZ 400 FL WR 426 FN YZ 426 F YZ 450 F YZ 450 F MME YZ 450 FX YZ-F 450 Inc Monster Racing Ed	2020-2023 2001 2021-2022 2001 1999-2001 1999 2001 2000-2001 2020-2021 2021-2023 2022-2023 2019-2022
MD6136D	Rear	Solid	230		Plain				KAWASAKI KXF 250 Tecate 4	1987-1988
MD6137D	Front	Solid	163		Plain				KAWASAKI KFX 450 R Quad KSV 700 KFX 700 V-Force	2008-2014 2004-2011
MD6138D	F/R	Solid	206		Plain				KAWASAKI KXT 250 B1/B2 Tecate	1986-1987
MD6140D	Front	Solid	220		Plain				YAMAHA YFM 600 Grizzly	1998-2001
MD6141D	Front	Solid	260		Plain				HUSABERG Enforcer Four	2000-2003
MD6142D	Rear	Solid	220		Plain				HUSABERG Enforcer Four	2000-2003
MD6144D Billet	Rear	Solid	256		Plain				HONDA FL 400 R Pilot	1989-1993
MD6145D	Front	Solid	206		Plain				SUZUKI LT-A 500 FY/FK1 LT-F 500 X	2000-2001 1998-2002
MD6147D	Front	Solid	165		Plain				POLARIS ATV Big Boss 250 4 x 6 Trail Blazer 250 Trail Boss 250	1989-1989 1989 1986-1989
MD6149D	Front	Solid	228		Plain				POLARIS ATV 250 2 x 4/4 x 4 Big Boss 250 4 x 6 Big Boss 300 6 x 6 Sportsman 335 Worker 4 x 4 Sportsman 350 4 x 4 Magnum 330 2 x 4/HDS 350 L 4 x 4 Big Boss 350 L Trail Boss 350 L 4 x 4 400 L 4 x 4 Big Boss 400 L 6 x 6 Sportsman 400 Sportsman 400 L 4 x 4 Xplorer 400 Xplorer 400 L 4 x 4 Magnum 425 Xpedition 425 4 x 4 Diesel 455 Big Boss 500 6 x 6 Magnum 500 Sportsman 500 Xplorer 500 4 x 4 POLARIS SIDE X SIDE 500 1999 Models PPS LUH 6 x 6 R PPS/PTV Series 10 6 x 6	1990 1989-1992 1994 1999-2000 1993 2003-2006 1990 1993 1990 1993 1994-1997 2001-2004 1994-1996 2001-2002 1995-1999 1995-1998 2000 1999-2000 1998 1999-2002 1996-2007 1997 1998 2001 2006

OFF ROAD DISC BUYERS GUIDE

Disc No.	F/R	Type	Dia. mm	Hub Color	Profile	Bobbins	Left Bracket	Right Bracket	Model	Year
MD6150D	Front	Solid	175		Plain				POLARIS ATV 250 2 x 4/4 x 4 Big Boss 250 4 x 6 Trail Blazer 250 Trail Boss 250 300 2 x 4/4 x 4 Big Boss 300 6 x 6 Sportsman 335 4 x 4 Xplorer 300 4 x 4 Xpress 300 350 L Trail Boss 350 L 2 x 4 400 L 2 x 4 Scrambler 400 L 4 x 4 Sport 400 Xpress 400 L Magnum 425 2 x 4 Scrambler 500 4 x 4	1993 1991-1992 1991-1997 1991-1998 1994-1994 1994 1999-2000 1996-2000 1996-1999 1990-1993 1991-1992 1994-1994 1995-1996 1994-1999 1996-1996 1995-1998 1996
MD6153D	Front	Solid	254		Plain				POLARIS ATV Big Boss 400 L 6 x 6 Magnum 425 6 x 6	1996 1996
MD6154D	Rear	Solid	150		Plain				POLARIS ATV Sportsman 500 4 x 4	1997
MD6155D	Front	Solid	182		Plain				POLARIS ATV Trail Blazer 250 Xplorer 250 4 x 4 Magnum 325 Trail Boss 325 Xpedition 325 Trail Boss 330 Scrambler 400 Trail Blazer 400 Xplorer 400 4 x 4 Scrambler 500 4 x 4	1999-2003 1999 2000-2002 2000-2002 2000-2001 2003-2004 1998-2001 2002 2001-2002 1998-2008
MD6156D	Rear	Solid	178		Plain				POLARIS ATV Trail Blazer 250 Magnum 325 Trail Boss 325 Xpedition 325 Trail Boss 330 Scrambler 400 Sport 400 R Trail Blazer 400 Xplorer 400 4 x 4 Xpedition 425 4 x 4 Magnum 500 Scrambler 500	1999-2003 2000-2001 2000-2002 2000-2001 2003-2004 1998-2001 1999-1999 2002 2001-2002 2000 1999-2001 1998-2003
MD6157D	Rear	Solid	240		Plain				SUZUKI RM 125 X RM 250 DR-Z 400 SM	1999-2005 1999-2005 2005-2023
MD6158D MD6158C	Front Front	Solid Solid	220 220		Plain Contour				YAMAHA DT 50 LC GT 125 Hammerhead TT-R 125 LW	1998 2012-2018 2000-2024
MD6160D	Rear	Solid	220		Plain				CAGIVA Canyon 600 Canyon/Gran Canyon 900 IE E 900 Elefant Dakar Rep E 900 ie GT E 900 ie Lucky Explorer Navigator 1000	1996-1999 1998-2000 1990 1991-1992 1991-1992 2000-2005
MD6161D	Rear	Solid	220		Plain				KAWASAKI KX 125 KX 250 KX 500	1986-1988 1986-1988 1986-1988

OFF ROAD DISC BUYERS GUIDE

Disc No.	F/R	Type	Dia. mm	Hub Color	Profile	Bobbins	Left Bracket	Right Bracket	Model	Year
MD6163D	Front	Solid	240		Plain				SUZUKI RM 125 RM 250	1985-1988 1985-1988
MD6164D	Rear	Solid	220		Plain				HONDA TRX 400 EX Fourtrax	1999-2009
MD6165D	Rear	Solid	220		Plain				HONDA CRM 250 R MK1 MD24	1989-1990
MD6166D MD6166CX	F/R F/R	Solid Solid	180 180		Plain Contour				KAWASAKI KX 65 SUZUKI RM 65	2000-2024 2003-2005
MD6168D	Front	Solid	296		Plain				CAGIVA Canyon 500 Canyon 600 Elefant E 750 Canyon/Gran Canyon 900 IE E 900 ie GT E 900 ie Lucky Explorer Navigator 1000 HONDA XRV 650 Africa Twin	1996-2000 1996-1999 1993-1995 1998-2000 1991-1992 1991-1992 2000-2005 1988-1989
MD6169D	Rear	Solid	203		Plain				POLARIS ATV Xplorer 400	1999-2002
MD6170D	Rear	Solid	228		Plain				POLARIS ATV Sportsman 500 6 x 6 POLARIS SIDE X SIDE PPS LUH 6 x 6 R	2000-2007 2001
MD6171D	Front	Solid	166		Plain				BOMBARDIER/BRP DS 650 Baja/X DS 650 DS 650 TE CAN AM ATV DS 650 X 3B7A/B	2001-2005 2000-2004 2006
MD6172D	Rear	Solid	196		Plain				BOMBARDIER/BRP DS 650 Baja/X DS 650 DS 650 TE CAN AM ATV DS 650 X 3B7A/B	2001-2005 2000-2004 2006
MD6173D UTVX6173	F/R F/R	Solid Solid	202 202		Plain Vee				ARCTIC CAT ATV 250 2 x 4 Utility 250 4 x 4 Utility 300 4 x 4 300 ATV 350 ATV 366 4 x 4 Auto Utility 366 SE 400 4 x 4 Utility 400 TRV 425i 450 H1 EFI 450 TRV 450i 450i Alterra 450i GT/TRV/XC 454 Bearcat 500 4 x 4 Auto Utility 550 GT TRV 550 H1 EFI 550 S 550 S LTD 550 TRV EFI 550i All Models 650 H1 All Models 650 TBX 650 V2 4 x 4 Auto Utility 700 Diesel Utility	1999-2009 2001-2006 1998-2005 2010-2012 2012 2008-2009 2010 2000-2008 2009-2010 2012 2010 2011-2012 2011-2012 2016-2023 2011-2017 1996-1998 1998-2008 2010-2012 2009-2010 2010 2010 2009-2011 2011-2012 2003-2011 2009 2004-2006 2007-2008

OFF ROAD DISC BUYERS GUIDE

Disc No.	F/R	Type	Dia. mm	Hub Color	Profile	Bobbins	Left Bracket	Right Bracket	Model	Year
MD6173D UTVX6173 Contd.									700 EFI 4 x 4 Utility 700 H1 EFI All Models 700 Mudpro 700 S 700 Super Duty Diesel 700 TBX LTD 700 TRV 700i All Models 1000 GT 1000 H2 Mudpro EFI 1000 Mudpro LTD 1000 Thundercat H2 1000 Thundercat H2 LE 1000 TRV 700 HDX Prowler 1000 Wildcat 1000 XTZ KYMCO Maxxer 400 MXU 400 A40000 Maxxer 450i MXU 450i IRS MXU 500i MXU 550i UXV 700i Turf LAVERDA Quasar 4 x 4 400 Quasar 4 x 4 500 Quasar 4 x 4 500C MASSEY-FERGUSON ATV MF 250 MF 300 MF 400 MF 500 MF 650 MF 700 Diesel PIAGGIO Trackmaster 400 Quad	2007-2011 2009-2011 2010-2011 2010 2010-2011 2011 2009-2012 2011-2012 2011-2012 2011-2012 2012-2013 2008-2010 2010 2009-2011 2011-2014 2011-2016 2008-2015 2009-2010 2008-2011 2010-2018 2011-2018 2009-2014 2012-2015 2014-2021 2004 2004 2004 2004 2004 2004-2009 2004-2009 2005-2009 2005-2008 2006
MD6174D	Rear	Solid	220		Plain				YAMAHA YFM 400 FAM/FAN YFM 450 Kodiak 5ND3/4 YFM 450 Wolverine	2000-2001 2003-2004 2006-2010
MD6175D	Front	Solid	218		Plain				DERBI Senda R 50	1996-1999
MD6180D	Front	Solid	260		Plain				APRILIA Tuareg Wind 600	1989
MD6181D MD6181C MD6181CX	Rear Rear Rear	Solid Solid Solid	240 240 240		Plain Contour Contour				HONDA XR 650 R HONDA DALL-ARA XR 650 R	2000-2007 2004
MD6182D	Front	Solid	267		Plain				YAMAHA TT 600 E TT 600 K TT 600 R TT 600 RE 5CH5	1994-2001 1993-1996 1997-2002 2004
MD6183D	Rear	Solid	220		Plain				YAMAHA TT 600 E TT 600 K TT 600 R TT 600 RE 5CH5	1994-2001 1993-1996 1997-2002 2004

OFF ROAD DISC BUYERS GUIDE

Disc No.	F/R	Type	Dia. mm	Hub Color	Profile	Bobbins	Left Bracket	Right Bracket	Model	Year
MD6184D MD6184C OSX6184 OSX6184K OSX6184K9 SMX6184K SMX6184H SMX6184K9 MD6184CX	Front Front Front Front Front Front Front Front	Solid Solid Floating Floating Floating Floating Floating Floating	260 260 280 280 280 320 320 320		Plain Contour Contour Contour Contour Contour Contour Contour				HUSQVARNA CR 125 SM 125 SM 125 S SMS4 125 TE 125 WR 125 R WRE 125 R CR 250 TC 250 TE 250 TE 250 Meo Replica WR 250 WR 300 TE 310 WR 360 TE 400 TE 410 TE 410 TE 410 E TC 449 TE 449 TC 450 TE 450 TC 510 TE 510 TE 511 TC 570 TE 570 SM 610 TC 610 TE 610 TE 630 SWM RS 125 R FT 300 R Flat Track RS 300 R RS 500 R RS 650 R	2000-2013 2000 2002-2013 2011 2011-2013 2000-2013 2000-2013 2000-2007 2002-2013 2002-2013 2011 2000-2013 2009-2013 2010-2013 2000-2002 2002 2000 2006 2000 2011-2013 2011-2013 2003-2010 2003-2010 2004-2008 2004-2010 2011-2012 2002-2003 2001-2004 2000 2000 2006-2009 2010-2012 2016-2017 2017 2015-2023 2015-2023 2016-2018
MD6186D MD6186C MD6186CX OSX6186	Front Front Front Front	Solid Solid Solid Floating	220 220 220 280		Plain Contour Contour Contour			BRK025	KAWASAKI KX 85 SUZUKI RM 100 K3	2001-2024 2003
MD6187D MD6187CX	Rear Rear	Solid Solid	185 185		Plain Contour				KAWASAKI KX 85 SUZUKI RM 100 K3	2001-2024 2003
MD6188D UTVX6188	Front Front	Solid Solid	200 200		Plain Vee				KAWASAKI KVF 360 KVF 360 Prairie All models KVF 650 KVF 650 Brute Force KVF 650 Prairie KVF 700 Praire KVF 750 Brute Force KVF 750 D All Models SUZUKI LT-V 700 Twin Peaks	2003-2013 2003-2008 2012-2014 2005-2013 2002-2003 2004-2008 2012-2022 2008-2011 2004-2005
MD6189D	Front	Solid	220		Plain				YAMAHA YFM 660 Grizzly	2002-2008
MD6190D MD6190CE MD6190CX	Rear Rear Rear	Solid Solid Solid	245 245 245		Plain Contour Contour				YAMAHA YZ 125 YZ 125 X WR 250 F 4T WR 250 F 4T Reverse Cyl WR 250 FP YZ 250 2T YZ 250 F YZ 250 F 60th Ann Ed YZ 250 FX	2002-2021 2021-2023 2003-2013 2015-2024 2002 2003-2016 2002-2019 2016 2021-2023

DISC BUYERS GUIDE

OFF ROAD DISC BUYERS GUIDE

Disc No.	F/R	Type	Dia. mm	Hub Color	Profile	Bobbins	Left Bracket	Right Bracket	Model	Year
MD6190D MD6190CE MD6190CX Contd.									YZ 250 X WR 426 FP YZ 426 FP WR 450 F YZ 450 F YZ 450 FGY 60th Ann Ed	2017-2023 2002 2002 2003-2024 2003-2024 2016
MD6191D MD6191C MD6191CE MD6191CX	Rear Rear Rear Rear	Solid Solid Solid Solid	240 240 240 240		Plain Contour Contour Contour				HONDA CR 125 R CR 250 R CRF 250 R CRF 250 R AC CRF 250 RX CRF 250 X CRF 250 XRL CRF 450 L CRF 450 R CRF 450 RL CRF 450 R-S CRF 450 RWE CRF 450 RX CRF 450 X CRF 450 X CRF 450 XRL HONDA-HM ITALY CR 125 Motard CRE 125 R Enduro CRE 125 R Supermotard CRM 125 R Supermoto CRF 230 Easy Enduro CRF 230 Easy Motard CRF 230 Easy Trail CR 250 R Moto CRE 250 F CRE 250 FX CRE 250 R CRE 250 R Enduro CRE 250 R Supermotard CRF 250 CRF 250 F CRF 250 Motard CRM 250 Supermoto CRE 290 FC CRE 300 FX CRE 450 F CRE 450 F Supermoto CRE 450 R Enduro CRE F 450 R Enduro CRE F 450 X R CRF 450 Motard R CRF 450 RR CRM F 450 R Supermoto CRM F 450 X Supermoto CRE F 490 X CRM F 490 X Supermoto CRE F 500 X	2002-2007 2002-2007 2004-2016 2015-2024 2019-2024 2004-2020 2014-2020 2018-2020 2002-2024 2020-2024 2022-2024 2019-2024 2019-2024 2005-2016 2017-2020 2014-2016 2004-2006 2002-2007 2002-2006 2007 2004-2007 2004-2007 2004-2007 2004 2004-2009 2008-2011 2002 2002-2007 2002-2003 2008-2009 2004-2008 2004-2006 2007 2007 2008-2009 2002 2002-2003 2002-2007 2004-2008 2004-2009 2004-2006 2004-2009 2007-2008 2007-2009 2007 2007 2008-2009
MD6192D MD6192C	Front Front	Solid Solid	198 198		Plain Contour				KTM 60 SX 65 SX	1998-2000 1998-2003
MD6195D	Front	Solid	190		Plain				KYMCO MXU 500 L70000/Carb Model/4 x 4 SUZUKI LT-A 400 Eiger LT-A 400 King Quad LT-F 400 Eiger LT-F 400 King Quad LT-A 500 Vinson Quadrunner LT-A 500 Vinson Quadrunner	2005-2009 2002-2007 2008-2023 2002-2007 2008-2018 2002-2007 2002-2007
MD6196D	Rear	Solid	216		Plain				SUZUKI LT-A 500 Vinson Quadrunner	2002-2007

OFF ROAD DISC BUYERS GUIDE

Disc No.	F/R	Type	Dia. mm	Hub Color	Profile	Bobbins	Left Bracket	Right Bracket	Model	Year
MD6197D Billet	Rear	Solid	150		Plain				YAMAHA YFM 660 Grizzly	2002-2008
MD6198D	Rear	Solid	220		Plain				HONDA AX-1 NX 250	1989-1994
MD6199D MD6199C	Front Front	Floating Floating	320 320	Gold Gold	Plain Contour	9 9			KTM Duke 400 LC4 Duke 620 LC4 LC4 620 SC Supermoto LC4 625 SC Supermoto SMC 625 Duke II 640 Duke-E 640 LC4 640 Adventure LC4-E 640 Supermoto 690 SM LE Limited Edition 690 SMC	1994-1998 1994-1998 2000 2002 2004-2006 1999-2002 1998 1999-2003 1999-2006 2010-2011 2012-2013
MD6200D	Rear	Solid	206		Plain				POLARIS ATV Magnum 325 ATP 330 4 x 4 Magnum 330 ATP HO 500 4 x 4 ATP Pro 500 4 x 4 PPS Magnum 500 POLARIS SIDE X SIDE PPS/PTV Series 10 4 x 4	2002 2004-2004 2003-2006 2004 2001 2002 2005-2006
MD6201D	Rear	Solid	218		Plain				POLARIS ATV Sportsman 450 Sportsman 500 Sportsman 600 4 x 4 Sportsman 700 Sportsman 800 EFI POLARIS SIDE X SIDE PPS/UTV Series 10 Ranger PPS/Series 11 2 x 4/4 x 4/6 x 6 PPS/11 1500 2 x 4	2006 1996-2005 2003-2004 2002-2005 2005-2005 2008 2003-2005 2015 2003
MD6202D UTVX6202 MD6202D UTVX6202	Front Front Front Front	Solid Solid Solid Solid	228 228 228 228		Plain Vee Plain Vee				POLARIS ATV Hawkeye 325 2 x 4/4 x 4 Magnum 325 4 x 4 HDS Sportsman 325 Ace ATP 330 4 x 4 Magnum 330 4 x 4/HDS Trail Blazer 330 Trail Boss 330 Hawkeye 400 HO 2 x 4 Sportsman 400 HO 4 x 4 Sportsman 450 Sportsman 450 HO ATP HO 500 4 x 4 ATP Pro 500 4 x 4 PPS Magnum 500 4 x 4 HDS Scrambler 500 4 x 4 Sportsman 500 Forest Tractor 570 EFI/EPS Sportsman 570 Sportsman 600 Sportsman 700 Sportsman 800 EFI POLARIS SIDE X SIDE Ranger EV Electric 325 Ranger ETX 400 Ranger 500 Ranger PPS/PTV Series 10 4 x 4 PPS/UTV Series 10 570 Ranger Crew 700 Ranger 900 Ranger PPS/Series 11 2 x 4/4 x 4/6 x 6 PPS/UTV Series 11 1500 2 x 4	2015 2002 2014-2015 2004-2004 2003-2004 2010-2012 2010-2012 2011-2013 2011-2013 2006 2021-2023 2004-2004 2001 2002-2002 2010-2011 2004-2012 2014 2011-2023 2003-2004 2002-2008 2005-2012 2011-2019 2015-2015 2010-2013 2006-2012 2005 2008 2014-2014 2006-2009 2003-2006 2015 2003

OFF ROAD DISC BUYERS GUIDE

Disc No.	F/R	Type	Dia. mm	Hub Color	Profile	Bobbins	Left Bracket	Right Bracket	Model	Year
MD6206D	Front	Solid	168		Plain				SUZUKI LT-F 300 FK2	2002
MD6207D	Front	Solid	160		Plain				SUZUKI LT-F 250 Ozark	2002-2014
MD6208D MD6208C MD6208CE MD6208CX	Rear Rear Rear Rear	Solid Solid Solid Solid	240 240 240 240		Plain Contour Contour Contour				KAWASAKI KX 125 KX 250 F KX 250 F 40th Anniversary Edition KX 250 F X Enduro 4T KX 250 M KX 250 R KLX 450 R KX 450 F KX 450 F X Enduro SUZUKI RM-Z 250	2003-2008 2004-2024 2024 2021-2023 2003-2005 2006-2008 2008-2018 2006-2024 2021-2023 2004-2006
MD6209D	Front	Floating	320	Gold	Plain	9			CCM 404 DS Supermoto 604 E Supermoto 604 RS Roadster 644 DS 644 DS Supermoto R 30 604/644 GAS-GAS SM 125 Supermotard SM 400 FSE R SM 450 FSR Supermotard SM 515 FSR Supermotard	2003-2004 1999-2003 2000-2003 2004 2004 2002-2004 GAS-GAS 2003-2006 2001-2002 2007-2009 2007-2009
MD6210D	Front	Solid	170		Plain				ARCTIC CAT ATV 400 DVX Sport KAWASAKI KSF 400 KFX SUZUKI LT-Z 250 QuadSport LT-Z 400 Eiger	2004-2008 2003-2006 2004-2012 2003-2015
MD6211D	Rear	Solid	220		Plain				ARCTIC CAT ATV 400 DVX Sport KAWASAKI KSF 400 KFX SUZUKI LT-Z 400 Eiger	2004-2008 2003-2006 2003-2015
MD6212D	Front	Solid	220		Plain				KAWASAKI KLX 125 L SUZUKI DR-Z 125 L	2003-2006 2003-2023
MD6213D MD6213C MD6213CX OSX6213 SMX6213	Front Front Front Front Front	Solid Solid Solid Floating Floating	250 250 250 280 320	Silver Black	Plain Contour Contour Plain Plain				KAWASAKI KX 125 KX 250 F KX 250 SUZUKI RM-Z 250	2003-2005 2004-2005 2003-2005 2004-2006
MD6214D	Front	Solid	230		Plain				APRILIA MX 50 Mk1 Pegaso 50 RX 3-5 Marce 50cc RX 50 C/CD YAMAHA DT 50 R DT 50 R-L SM-5VB1/VG55BK	2003-2005 1992-1994 1991-1994 1995-2004 1997-2001 2002-2003

OFF ROAD DISC BUYERS GUIDE

Disc No.	F/R	Type	Dia. mm	Hub Color	Profile	Bobbins	Left Bracket	Right Bracket	Model	Year
MD6215D	Front	Solid	200		Plain				YAMAHA YFM 350 Bruin 4 x 4 YFM 350 Grizzly YFM 350 Wolverine YFM 400 F Big Bear YFM 400 Kodiak YFM 450 Grizzly IRS YFM 450 Kodiak YFM 450 Wolverine	2004-2006 2004-2014 2006-2009 2005-2006 2003-2004 2011-2016 2003-2006 2006-2010
MD6216D	Rear	Solid	160		Plain				KTM 60 SX 65 SX	2000 2000-2003
MD6217D	Rear	Floating	170	Silver	Plain				HONDA TRX 420 Fourtrax SXS 500 M2 Pioneer TRX 520 Foreman Rubicon All Models TRX 650 FA Rincon TRX 680 FA Fourtrax Rincon SXS 700 M2 Pioneer SXS 700 M4 Pioneer	2009-2011 2015-2017 2020-2023 2003-2005 2006-2023 2016-2023 2016-2023
MD6218D	Rear	Solid	196		Plain				POLARIS ATV Outlaw 450 S Predator 500 TLD Outlaw 525 S	2008 2003-2006 2008-2010
MD6219D	Front	Solid	178		Plain				POLARIS ATV Phoenix 200 AA/AB Models Phoenix Quadricycle 200 EC/ED Models Outlaw 450 Outlaw 500 Predator 500 TLD Outlaw 525	2004 2004-2008 2008-2009 2006-2006 2003-2006 2008-2011
MD6220D	Front	Solid	155		Plain				BOMBARDIER/BRP Rally 200 CAN AM ATV Rally 200 4A7A/B/C/D/E/F	2003-2006 2006
MD6221D	Rear	Solid	155		Plain				BOMBARDIER/BRP Rally 200	2003-2004
MD6222D UTVX6222	Front Front	Solid Solid	205 205		Plain Vee				BOMBARDIER/BRP Outlander 330 HO Outlander 400 Max HO Outlander 400 Outlander Outlander 650 HO EFI 4 x 4 Outlander Max 650 HO EFI 4 x 4 Outlander 800 All models CAN AM ATV Outlander 400 XT 4 x 4 2E7 Outlander Max 400 STD 4 x 4 2F7B Outlander 500 STD/XT 4 x 4 Outlander Max 500 STD/XT 4 x 4 Outlander 650 4 x 4 STD/XT Outlander Max 650 STD/XT 4 x 4 Outlander Max 650 X-TP Outlander 800 R Outlander 800 STD/XT 4 x 4 Outlander Max 800 All Models Renegade 800 R Commander Electric 9KW R	2004-2005 2003-2006 2003-2004 2006 2006 2006 2007-2014 2007-2015 2007-2011 2007-2012 2007-2012 2007-2012 2011 2008-2011 2007-2008 2007-2012 2009-2010 2013-2015
MD6223D UTVX6223	Rear Rear	Solid Solid	180 180		Plain Vee				BOMBARDIER/BRP Outlander 330 HO Outlander 400 Max HO Outlander 400 Outlander Outlander 650 HO EFI 4 x 4 Outlander Max 650 HO EFI 4 x 4 Outlander 800 All models CAN AM ATV Outlander 400 XT 4 x 4 2E7 Outlander Max 400 STD/XT 4 x 4 2F7B	2004-2005 2003-2006 2003-2004 2006 2006 2006 2007-2014 2007-2015

OFF ROAD DISC BUYERS GUIDE

Disc No.	F/R	Type	Dia. mm	Hub Color	Profile	Bobbins	Left Bracket	Right Bracket	Model	Year
MD6223D UTVX6223 Contd.									Outlander 500 STD/XT 4 x 4 2T7A Outlander Max 500 STD/XT 4 x 4 Renegade 500 4 x 4/EFI Outlander 650 4 x 4 STD/XT Outlander Max 650 STD/XT 4 x 4 Outlander Max 650 X-TP Outlander 800 R All Models Outlander Max 800 All Models Renegade 800 All Models	2007-2011 2007-2012 2007-2014 2007-2012 2007-2012 2011 2008-2011 2007-2012 2007-2010
MD6224D	F/R	Solid	203		Plain				BOMBARDIER/BRP Quest 500 2 x 4/4 x 4 Traxter Autoshift TE Quest 650 2 x 4/4 x 4 Quest 650 Max Quest 650 XT 4X4	2002-2003 2001-2004 2002-2003 2003 2001
MD6225D	F/R	Solid	218		Plain				BOMBARDIER/BRP Quest 500 2 x 4/4 x 4 500 Traxter All Models Quest Max STD/XT Quest 650 2 x 4/4 x 4 Quest 650 Max Quest 650 XT 4X4 Traxter Max CVT 650 JOHN DEERE ATV AND SIDE X SIDE MODELS Buck 500/650 EX/EXT Trail Buck 500/650 EX/EXT	2002-2003 2001-2005 2004 2002-2003 2003-2004 2001 2004 2004-2008 2004-2005
MD6226D	Front	Floating	320	Gold	Plain	9			YAMAHA XT 660 X Supermoto	2004-2016
MD6227D	Rear	Solid	220		Plain				KTM EXC 125 MX 125 MX/MXC/GS 125 EXC/EGS 250 GS 250 MX 250 MX/MXC 250 MX/MXC/GS 300 EXC 350 MX 350 MX/EXC/EGS 350	1988-1989 1988-1989 1986 1988-1989 1986 1988-1989 1986 1986 1989 1989 1986-1988
MD6229D	Front	Solid	205		Plain				BOMBARDIER/BRP Traxter 4 x 4 Traxter Autoshift TE Traxter Footshift TE Traxter XL 4 x 4	1999-2001 2001 2001 2000-2003
MD6230D	Rear	Solid	220		Plain				BOMBARDIER/BRP Traxter 4 x 4 Traxter Autoshift TE Traxter Footshift TE Traxter XL 4 x 4	1999-2001 2001 2001 2000-2003
MD6232D MD6232CX	Rear Rear	Solid Solid	260 260		Plain Contour				KAWASAKI KLV 1000 LV 1000 SUZUKI DL 650 V-Strom DL 650 V-Strom Traveller DL 650 V-Strom X DL 650 V-Strom Xpedition DL 650 XT V-Strom DL 650 XT V-Strom Touring DL 900 Migrator DL 1000 V-Strom DL 1000 XT V-Strom DL 1050 V-Strom DL 1050 V-Strom XT DL 1050 V-Strom XT Tour DL 1050DE Tour V-Strom DL 1050DE V-Strom	2004-2005 2004-2023 2007-2011 2007-2011 2011 2015-2024 2018-2022 2014-2017 2002-2020 2018-2020 2018-2024 2018-2023 2018-2023 2023-2024 2023-2024

OFF ROAD DISC BUYERS GUIDE

Disc No.	F/R	Type	Dia. mm	Hub Color	Profile	Bobbins	Left Bracket	Right Bracket	Model	Year
MD6233D	Rear	Solid	190		Plain				HONDA TRX 450	2004-2009
MD6234D	Rear	Solid	245		Plain				YAMAHA XT 660 R XT 660 X Supermoto XT 660 Z Tenere	2004-2016 2004-2016 2008-2016
MD6235D	Front	Floating	298	Gold	Plain	9			YAMAHA DT 125 X WR 125 X Supermoto XT 660 R XT 660 Z Tenere	2005-2006 2009-2018 2004-2016 2008-2016
MD6236D	Rear	Solid	200		Plain				YAMAHA YFM 250 Raptor YFM 350 Raptor YFZ 450 Quad	2008-2013 2004-2009 2004-2005
MD6237D	Rear	Solid	220		Plain				YAMAHA YFS 200 Blaster YFZ 350 Banshee YFM 660 Raptor	2003-2006 1990-2009 2001-2005
MD6239D	Front	Solid	240		Plain				KAWASAKI KL 250 Stockman KL 250 Super Sherpa	2012-2018 1997-2000
MD6240D MD6240C OSX6240 SMX6240	Front Front Front Front	Solid Solid Floating Floating	250 250 280 320		Plain Contour Contour Contour				KAWASAKI KLX 250 D-Tracker SUZUKI 250 SBK 2 LX 250 L	1998-2003 2002
MD6241D UTVX6241	Front Front	Solid Solid	200 200		Plain Vee				YAMAHA YXR 450 F Rhino 4WD Side x Side YXR 660 Rhino 4 x 4 Side x Side YXR 700 Rhino	2004-2009 2004-2006 2009-2013
MD6242									YAMAHA YXR 450 F Rhino 4WD Side x Side YXR 660 Rhino 4 x 4 Side x Side	2004-2009 2004-2006
MD6243D MD6243CX	Front Front	Solid Solid	198 198		Plain Contour				GAS-GAS PIERER MOB MC 65 HUSQVARNA TC 65 KTM 65 SX	2021-2024 2023 2004-2023
MD6244D	Rear	Solid	203		Plain				YAMAHA XT 225 Sorrow XG 250 Tricker 5XT1 XT 250 Sorrow 3C51/2 XTZ 250 4B41/2/3 Lander Brasil	1993-1998 2004-2006 2005-2008 2007-2009
MD6245D	Front	Solid	203		Plain				BOMBARDIER/BRP 500 Traxter All Models Quest Max STD/XT Quest 650 Max Traxter Max CVT 650 JOHN DEERE ATV AND SIDE X SIDE MODELS Buck 500/650 EX/EXT Trail Buck 500/650 EX/EXT	2003-2005 2004 2004-2004 2004 2004-2008 2004-2005
MD6246D MD6246CX	Rear Rear	Solid Solid	200 200		Plain Contour				SUZUKI RM 85	2005-2023
MD6247D MD6247C	Front Front	Floating Floating	310 310		Plain Contour	6 6			SUZUKI DR-Z 400 SM	2005-2023
MD6248D	Rear	Solid	180		Plain				APRILIA RX 50 Factory SX 50 DERBI Senda DRD SM 50 Senda R 50	2006-2020 2006-2020 2002-2005 2000-2002

OFF ROAD DISC BUYERS GUIDE

Disc No.	F/R	Type	Dia. mm	Hub Color	Profile	Bobbins	Left Bracket	Right Bracket	Model	Year
MD6248D Contd.									Senda X Race 50 R Senda X Race 50 SM Senda X-treme 50 R Senda X-treme 50 SM GILERA RCR 50 Enduro SMT 50 Supermotard	2005-2011 2006-2011 2003-2011 2003-2011 2003-2006 2003-2007
MD6249C MD6249CX	Rear Rear	Solid Solid	160 160		Contour Contour				KTM 65 SX	2004-2023
MD6250D	Front	Solid	240		Plain				DERBI Senda R 50 Senda X Race 50 R Senda X-treme 50 R	2000-2002 2005-2011 2003-2011
MD6251D	Front	Solid	180		Plain				HONDA TRX 500 Fourtrax Foreman TRX 680 FA Fourtrax Rincon	2005-2011 2006-2023
MD6252D	Rear	Solid	220		Plain				YAMAHA YFM 400 Big Bear YFM 400 Grizzly YFM 450 Kodiak	2005-2006 2007-2008 2005-2006
MD6253D MD6253C	Rear Rear	Solid Solid	220 220		Plain Contour				GAS-GAS EC 125/200/250/300 MX 125/250 SM 125 Supermotard MX 200/250/300 SM 400 FSE R SM 450 FSR Supermotard SM 515 FSR Supermotard	1997-2015 2001-2011 2003-2006 1999-2000 2001-2002 2007-2009 2007-2009
MD6254D MD6254CX OSX6254 SMX6254	Front Front Front Front	Solid Solid Solid Floating	250 250 280 320		Plain Contour Contour Contour			6 6	SUZUKI RM-Z 250 RM-Z 450	2007-2024 2005-2017
MD6255D MD6255CE MD6255CX	Rear Rear Rear	Solid Solid Solid	240 240 240		Plain Contour Contour				SUZUKI RM-Z 250 RM-Z 450	2007-2024 2005-2024
MD6256D UTVX6256	Rear Rear	Solid Solid	203 203		Plain Contour				POLARIS ATV Trail Blazer 250 Trail Blazer 330 Trail Boss 330 Scrambler 500	2005-2005 2008-2012 2005-2012 2007-2011
MD6257C	Rear	Solid	200		Contour				KTM 85 SX	2003-2010
MD6258C OSX6258	Front Front	Solid Floating	220 250	Silver	Contour Contour		6	BRK028	HUSQVARNA TC 85 KTM 85 SX SX 1E	2014-2016 2003-2011
MD6259D	Rear	Solid	240		Plain				CAGIVA Elefant 650 Elefant 750	1988-1989 1990-1992
MD6260D	Front	Solid	260		Plain				CCM 404 DS 404 E 604 E DS Dual Sport/Trail	2003-2004 2003-2004 1998-2003
MD6261D	Front	Solid	200		Plain				SUZUKI LT-A 450 LT-A 700 King Quad LT-A 750 King Quad	2007-2010 2005-2007 2008-2010
MD6262D	Front	Solid	182		Plain				POLARIS ATV Trail Blazer 250 Trail Blazer 330 Trail Boss 330	2005-2005 2008-2008 2005-2008

OFF ROAD DISC BUYERS GUIDE

Disc No.	F/R	Type	Dia. mm	Hub Color	Profile	Bobbins	Left Bracket	Right Bracket	Model	Year
MD6262D Contd.									Scrambler 500 2 x 4	2007-2007
MD6263D MD6263C	Rear Rear	Solid Solid	200 200		Plain Contour				YAMAHA YFZ 450 YFM 700 Raptor	2006-2014 2006-2022
MD6264D MD6264C MD6264CX OSX6264 SMX6264	Front Front Front Front Front	Floating Floating Floating Floating Floating	250 250 250 250 250	Silver Silver Silver Silver Black	Plain Contour Contour Contour Contour	6 6 6 6 6			KAWASAKI KX 125M KX 250R KX 250F KLX 450 R KX 450F	2006-2008 2006-2008 2006-2008 2008-2018 2006-2014
MD6265D	Front	Floating	260	Silver	Plain	6			CAGIVA Elefant 650 Elefant 750	1985-1989 1990-1992
MD6266D	Front	Solid	300		Plain				KTM LC4 640 Adventure 950 Adventure 950 Adventure S	2004-2007 2002-2006 2003-2006
MD6267D	F/R	Solid	180		Plain				ARCTIC CAT ATV 50 All models 90 Alterra 90 DVX 90 Reverse Gear Model 150 Utility 2 x 4 250 DVX Sport 300 2 x 4 Utility Mid Size 300 Alterra 300 DVX ARCTIC CAT SIDE X SIDE 500 Prowler KAWASAKI KFX 50 KFX 90 KVF 300 Brute Force KYMCO MXer 50 Quad MXU 50 Maxxer 90 Mongoose KXR 90 S Quad MXer 125/150 Quad LA35AD/LA30AD MXU 150 Maxxer 250 Mongoose KXR 250 Quad MXU 250 Maxxer 300 MXU 300	2004-2008 2017-2023 2006-2015 2010-2014 2009-2018 2006-2008 2010-2016 2017-2023 2009-2014 2018-2022 2007-2017 2007-2024 2012-2017 2000-2007 2005-2013 2005-2006 2004-2020 2002-2007 2005-2020 2012-2013 2004-2007 2004-2013 2006-2013 2006-2021
MD6268D	Rear	Solid	220		Plain				ARCTIC CAT ATV 250 DVX Sport 300 DVX KYMCO Like 50 LX Like 125 Like 150 i Like 150 i Noodoe Like 200i Maxxer 250 Mongoose KXR 250 Quad MXU 250 Maxxer 300	2006-2008 2009-2014 2009-2021 2009 2020-2021 2020-2021 2009 2012-2013 2004-2007 2004-2013 2006-2013
MD6269D MD6269C MD6269CX MD6269CE	Rear Rear Rear Rear	Solid Solid Solid Solid	240 240 240 240		Plain Contour Contour Contour				BETA RR Enduro 125 2T RR Racing 125 2T 200 RR Enduro 200 RR Racing 250 RR Enduro 250 RR Racing 250 X-Trainer 300 RR Enduro 300 RR Racing	2018-2024 2019-2024 2019-2024 2021-2024 2013-2024 2021-2024 2019-2022 2013-2024 2021-2024

OFF ROAD DISC BUYERS GUIDE

Disc No.	F/R	Type	Dia. mm	Hub Color	Profile	Bobbins	Left Bracket	Right Bracket	Model	Year
MD6269 Contd.									300 RX 300 X-Trainer 350 RR Enduro 350 RR Racing 350 RR-S Enduro 390 RR Enduro 390 RR Racing 400 RR Enduro 430 RR Enduro 430 RR Racing 430 RR-S Enduro 450 RR Cross Country 450 RR Enduro 450 RR Racing 450 RX 480 RR Enduro 480 RR Racing RR 498 Enduro RR 498 Enduro Racing 500 RR-S Enduro HUSQVARNA FR 450 Rally KTM 450 Rally 690 Enduro 690 Rally Factory Replica 690 SM LE Limited Edition 690 SM Supermoto 950 Adventure 950 Adventure S	2021-2024 2019-2024 2012-2024 2019-2024 2013-2022 2015-2024 2015-2024 2012-2014 2015-2024 2015-2024 2015-2022 2012 2012-2014 2013-2020 2024 2015-2024 2015-2024 2012-2020 2013-2014 2020-2022 2016-2023
MD6270D MD6270C	Front Front	Floating Floating	310 310	Gold Gold	Plain Contour	9 9			HUSABERG FS 550 E Supermoto FS 650 C Supermoto FS 650 Supermoto Models HUSQVARNA FS 450 KTM SMR 450 SMR 525	2005-2007 2006-2008 2004-2008 2015-2024 2004-2022 2004-2005
MD6271D UTVX6271	Front Front	Solid Solid	252 252		Plain Vee				ARCTIC CAT SIDE X SIDE 500 HDX Prowler 550 H1 EFI Prowler 550 XT 650 Prowler 650 XT H1 Prowler 700 HDX Prowler 700 XTX 1000 Wildcat 1000 Wildcat X 1000 XTZ	2014-2018 2009 2010-2015 2007-2008 2006-2008 2011-2014 2008-2017 2011-2015 2012-2016 2008-2015
MD6272D	Front	Solid	198		Plain				POLARIS ATV Hawkeye 300 Sportsman 300 4 x 4 Sportsman 400 HO 4 x 4	2006-2008 2008-2009 2008-2009
MD6273D	Rear	Solid	202		Plain				Hawkeye 300 2 x 4 Sportsman 300 4 x 4 Sportsman 400 HO 4 x 4	2006-2008 2008-2009 2008-2009
MD6274D MD6274D	Front Rear	Solid	173		Plain				AEON Cobra 220 Overland 300 AT20 Cobra 350 Cobra 400 POLARIS ATV Phoenix 200 Phoenix Quadricycle 200 Sawtooth 200 Hawkeye 400 HO 2 x 4	2006-2011 2006-2007 2010-2011 2010-2015 2006-2013 2009-2010 2006-2007 2011-2013

OFF ROAD DISC BUYERS GUIDE

Disc No.	F/R	Type	Dia. mm	Hub Color	Profile	Bobbins	Left Bracket	Right Bracket	Model	Year
MD6275D UTVX6275	Rear Rear	Solid Solid	218 218		Plain Vee				POLARIS ATV Hawkeye 325 2 x 4/4 x 4 Sportsman 325 Ace Sportsman 400 HO 4 x 4 Sportsman 450 HO Sportsman 500 Forest Tractor 570 EFI/EPS Sportsman 570 Sportsman 700 Efi Sportsman 800 EFI Forest 850 Forest 1000 POLARIS COMMERCIAL Brutus POLARIS SIDE X SIDE Ranger EV Electric 325 Ranger ETX 400 Ranger 500 Ranger 570 Ranger RZR 570 700 Ranger EFI 800 Ranger RZR 800 Ranger RZR-4 800 EFI 900 Ranger TM 900 D Ranger Diesel 900 Ranger XP 1000 Rangr Diesel	2015 2014-2015 2011-2013 2021-2023 2006-2013 2014 2011-2023 2007-2008 2007-2013 2014 2015 2013-2016 2011-2019 2015-2015 2010-2013 2006-2012 2014-2019 2012-2020 2006-2009 2010-2014 2008-2013 2010-2013 2006 2011-2013 2015 2015
MD6276D	Rear	Solid	220		Plain				CCM CR 40 Café Racer 404 DS 404 DS Supermoto 404 E R 45 S 604 E DS Dual Sport/Trail 604 E Supermoto 604 RS Roadster 644 DS 644 DS Supermoto R 30 604/644 FT 650	2007-2008 2003-2004 2003-2004 2003-2004 2007-2009 1998-2003 1999-2003 2000-2003 2004 2004 2002-2004 2008
MD6277D	Front	Solid	160		Plain				SUZUKI LT-R 450	2006-2012
MD6278D 6278	Rear	Solid	190		Plain				SUZUKI LT-R 450	2006-2012
MD6279D	Front	Solid	260		Plain				MALAGUTI XSM 50 Super Motard YAMAHA DT 50 X Supermotard XT 125 X	2003-2011 2004-2008 2005-2011
MD6280D	Rear	Solid	220		Plain				MBK X Limit 50cc Enduro X Limit 50cc Supermoto YAMAHA DT 50 R DT 50 X Supermotard XT 125 R XT 125 X	2003-2010 2003-2010 2002-2008 2004-2008 2005-2011 2005-2011
MD6281D	Front	Solid	220		Plain				SUZUKI RV 125 Van-Van RV 200 RV 200 Van-Van	2002-2018 2002-2003 2016-2019

OFF ROAD DISC BUYERS GUIDE

Disc No.	F/R	Type	Dia. mm	Hub Color	Profile	Bobbins	Left Bracket	Right Bracket	Model	Year
MD6282D	Rear	Solid	190		Plain				BOMBARDIER/BRP DS 250 CAN AM ATV DS 250 YAMAHA YFM 90 Raptor	2005 2007-2024 2009-2013
MD6283D	Front	Solid	175		Plain				BOMBARDIER/BRP DS 250 CAN AM ATV DS 250 YAMAHA YFM 300 Grizzly	2005 2007-2024 2012-2013
MD6284D	Rear	Solid	245		Plain				MZ/MUZ Baghira Baghira Black Panther Baghira Forest/Forest HR Baghira Street Moto Mastiff	1999-2005 1996-2003 1996-2005 1996-2005 1996-2005
MD6285D	Rear	Solid	200		Plain				BOMBARDIER/BRP Rally 200 CAN AM ATV Rally 200 4A7A/B/C/D/E/F	2005-2006 2006
MD6286D	Rear	Solid	220		Plain				APRILIA MX 50 Mk1 Pegaso 50 RX 3-5 Marce 50cc RX 50 C/CD RX 50 Racing YAMAHA DT 50 R-L SM-5VB1/VG55BK	2003-2005 1992-1994 1991-1994 1995-2004 2003-2006 2002-2003
MD6287D	Rear	Solid	220		Plain				HUSQVARNA CR 125 CR 125 SM 125 SM 125 S SMS4 125 TE 125 WR 125 R WRE 125 R CR 250 WR 250 WR 360 TE 410 SM 570 R TE 570 SM 610 SM 610 S TC 610 TE 610 SMR 630 TE 630	2000-2001 2000-2001 2000 2002-2013 2011 2011-2013 2000-2001 2000-2013 2000-2001 2000-2001 2000-2001 2000 2001 2001-2004 2000 2002-2006 2000 2000-2004 2010-2012 2010-2012
MD6288D MD6288C	Rear Rear	Solid Solid	240 240		Plain Contour				HUSQVARNA CR 125 WR 125 R TC 250 TE 250 TE 250 TE 310 TE 410 SM 450 SMR 450 RR TC 450 TE 450 SM 510 R TC 510 TE 510 SM 610 S	2006-2008 2006-2008 2005-2008 2006-2008 2009-2010 2010 2006 2007-2010 2006-2007 2005-2010 2006-2010 2006-2010 2006-2010 2005-2008 2006-2008 2006

OFF ROAD DISC BUYERS GUIDE

Disc No.	F/R	Type	Dia. mm	Hub Color	Profile	Bobbins	Left Bracket	Right Bracket	Model	Year
MD6289D MD6289C	Front Front	Solid Solid	260 260		Plain Contour				GAS-GAS EC 125/200/250/300 MX 125/250 EC 450 FSR/FSE Enduro 4T Pampera 450 4T EC 515 FSR/FSE Enduro	2000-2015 2001-2011 2005-2009 2007-2008 2005-2009
MD6290D	Rear	Solid	228		Plain				POLARIS ATV Outlaw 450 MXR Outlaw 500 Outlaw 525 IRS	2009-2009 2006-2006 2008-2011
MD6291D	Front	Solid	220		Plain				YAMAHA YFM 550 Grizzly YFM 700 Grizzly EPS YFM 700 Kodiak	2011-2014 2007-2022 2018-2022
MD6292D	Rear	Solid	205		Plain				YAMAHA YFM 550 Grizzly YFM 700 Grizzly	2011-2014 2007-2022
MD6293D	Front	Floating	240	Gold	Plain	9			HUSQVARNA SM 400 R SM 450 SMR 450 RR SM 510 R SM 530 RR SM 570 R SM 610 IE SM 610 S SMR 630 SMR 630 STR 650 CRC	2002 2003-2010 2006-2007 2005-2010 2008-2010 2001-2004 2007-2009 2002-2006 2006 2010-2012 2007
MD6294D	Front	Floating	320	Gold	Plain	9			HUSQVARNA LT 610 SM 610	2000 1998-1999
MD6295D	Rear	Solid	220		Plain				HUSQVARNA CR 125 WR 125 R CR 250 TC 250 TE 250 WR 250 WR 250 WR 300 WR 360 SM 400 R TE 400 SM 450 TC 450 TE 450 SM 510 R TC 510 TE 510 SM 570 R TC 570 LT 610 SM 610 IE TE 610 SMR 630 STR 650 CRC	2002-2005 2002-2005 2002-2007 2002-2003 2002-2005 2002-2005 2002-2013 2009-2013 2002 2002 2002 2003-2006 2003-2004 2003-2005 2005 2004 2004-2005 2002-2004 2002-2003 2000 2007-2009 2006-2009 2006 2007
MD6296D	Front	Solid	240		Plain				BETA RK6	1993-1996
MD6297D	Front	Solid	240		Plain				MBK X Limit 50cc Enduro X Limit 50cc Supermoto YAMAHA DT 50 R XT 125 R	2003-2010 2003-2010 2002-2008 2005-2011

OFF ROAD DISC BUYERS GUIDE

Disc No.	F/R	Type	Dia. mm	Hub Color	Profile	Bobbins	Left Bracket	Right Bracket	Model	Year
MD6298D	Rear	Floating	240	Gold	Plain	9			KTM 690 SMC 950 R Super Enduro 990 Adventure 990 Adventure Dakar Edition 990 Adventure S	2008-2013 2006-2008 2007-2012 2011 2006-2008
MD6299D MD6299C	Front Front	Floating Floating	300 300	Gold Gold	Plain Contour	9 9			KTM 690 Enduro 690 Rally Factory Replica 950 R Super Enduro 990 Adventure 990 Adventure S	2009-2020 2007-2009 2006-2008 2009-2012 2006-2008
MD6300D	Front	Solid	296		Plain				HONDA FMX 650	2005-2008
MD6302D	Front	Solid	185		Plain				HONDA TRX 420 Fourtrax TRX 420 Fourtrax ES TRX 420 Fourtrax Rancher TRX 500 Foreman Fourtrax	2009-2011 2007-2009 2007-2023 2012-2021
MD6303D	Front	Solid	282		Plain				CAGIVA E 900 C Elefant E 900 C ie Lucky Explorer	1993-1997 1995-1997
MD6304C	Rear	Solid	200		Contour				KAWASAKI KFX 450 R Quad	2008-2014
MD6305D MD6305C MD6305CX	Rear Rear Rear	Solid Solid Solid	240 240 240		Plain Contour Contour				SUZUKI RM 125 K RM 125 XCK8 RM 250 RM 250 XCK8	2006-2012 2009 2006-2012 2009
MD6306D	Front	Floating	320	Silver	Plain	9			CCM R 30 604/644	2002-2004
MD6307D	Front	Solid	300		Plain				APRILIA ETV 1000 Caponord	2001-2003
MD6308D	Rear	Solid	270		Plain				APRILIA ETV 1000 Capnord Rally ETV 1000 Caponord	2003 2001-2007
MD6309CX SMX6309	Front Front	Solid Floating	280 320	Black	Contour Contour	6			KAWASAKI KLR 650	2008-2009
MD6310C MD6310CX	Rear Rear	Solid Solid	240 240		Contour Contour				KAWASAKI KLR 650	2008-2009
MD6311D	Rear	Solid	220		Plain				POLARIS ATV Phoenix Quadricycle 200	2004-2010
MD6312D UTVX6312	Front Front	Solid Solid	235 235		Plain Vee				POLARIS SIDE X SIDE RZR 570 RZR 800 Ranger	2012-2012 2008-2013
MD6313C	Front	Solid	310		Contour				KTM SMR 450	2007-2013
MD6314D MD6314C MD6314CX OSX6314	Front Front Front Front	Solid Solid Solid Floating	220 220 220 280		Contour Contour Contour Contour				HONDA CRF 150 R CRF 150 RB Expert HONDA-HM ITALY CRF 150 R/R2	2003-2022 2003-2022 2007-2009
MD6315D	Rear	Solid	220		Plain				APRILIA MX 125 RX 125 Tuareg Rally 125	2004-2006 1992-2001 1989-1991

OFF ROAD DISC BUYERS GUIDE

Disc No.	F/R	Type	Dia. mm	Hub Color	Profile	Bobbins	Left Bracket	Right Bracket	Model	Year
MD6316D MD6316C MD6316CX	Rear Rear Rear	Solid Solid Solid	190 190 190		Plain Contour Contour				HONDA CRF 150 R CRF 150 RB Expert HONDA-HM ITALY CRF 150 R/R2	2003-2022 2003-2022 2007-2009
MD6317D MD6317CX OSX6317	Front Front Front	Solid Solid Floating	240 240 280	Silver	Plain Contour Contour	6	BRK008		HONDA CRF 150 F	2003-2020
MD6318D	Front	Solid	260		Plain				MH/MOTORHISPANIA RX 50 Super Racing R RYZ 50 Urban Bike PEUGEOT XR 6 50	2006-2007 2006-2010 2003-2007
MD6319C	Rear	Solid	230		Contour				YAMAHA WR 250 R WR 250 X Supermoto	2008-2018 2008-2015
MD6320C	Front	Floating	250	Gold	Contour	6			YAMAHA WR 250 R	2008-2018
MD6321C	Rear	Solid	198		Contour				CAN AM ATV DS 450 EFI	2008-2015
MD6322C	Front	Solid	225.5		Contour				CAN AM ATV DS 450 EFI DS 450 Xxc/Xmx	2008-2015 2008-2015
MD6323C	Front	Floating	298	Gold	Contour	6			YAMAHA WR 250 X Supermoto	2008-2015
MD6324D	Front	Solid	240		Plain				YAMAHA YZ 125 N YZ 250 N YZ 490 N	1985 1985 1985
MD6325D UTVX6325	Front Front	Solid Solid	220 220		Plain Vee				KAWASAKI KRF 750 Teryx 4 x 4 All models	2008-2013
MD6326C	Rear	Solid	240		Contour				KAWASAKI KLX 250 SF	2009-2020
MD6327C	Rear	Solid	186		Contour				KAWASAKI KLX 140 KLX 140 L	2008-2020 2008-2024
MD6328C	Front	Solid	220		Contour				KAWASAKI KLX 140 KLX 140 F KLX 140 L	2008-2020 2024 2008-2024
MD6330D MD6330C MD6330CX OSX6330 SMX6330	Front Front Front Front Front	Floating Floating Floating Floating Floating	250 250 250 280 320	Silver Silver Silver Silver Black	Plain Contour Contour Contour Contour	6 6 6 6 6	BRK021 BRK022		KAWASAKI KLX 250 S KLX 250 SF	2006-2007 2009-2020
MD6331D	Rear	Solid	200		Plain				HONDA TRX 700 X	2008-2012
MD6332D UTVX6332	Rear Rear	Solid Solid	185 185		Plain Vee				YAMAHA YXR 700 Rhino	2009-2013
MD6333D	Rear	Solid	165		Plain				YAMAHA YXR 700 Rhino All models Parking Brake	2009-2013
MD6334D	Rear	Solid	180		Plain				CAN AM ATV DS 90 X 2 x 4/4T Renegade 110	2008-2023 2023-2024
MD6335D	Front	Solid	165		Plain				CAN AM ATV DS 90 X 2 x 4/4T Renegade 110	2008-2023 2023-2024

OFF ROAD DISC BUYERS GUIDE

Disc No.	F/R	Type	Dia. mm	Hub Color	Profile	Bobbins	Left Bracket	Right Bracket	Model	Year
MD6336C	Front	Floating	180	Gold	Contour	6			KTM 450 SX-F Quad XC 450 Quad 505 SX-F Quad XC 525 Quad	2009 2008-2010 2009-2012 2008-2012
MD6337D	Rear	Solid	200		Plain				KTM 450 SX-F Quad XC 450 Quad 505 SX-F Quad XC 525 Quad	2009 2008-2010 2009-2012 2008-2012
MD6338D UTVX6338	Front Front	Solid Solid	227 227		Plain Vee				POLARIS ATV Sportsman 1000 XP POLARIS COMMERCIAL Brutus POLARIS SIDE X SIDE 500 Ranger EFI 4 x 4 HO 570 Ranger Crew 570 Ranger Full Size R12 RZR 570 700 Ranger 4 x 4 EFI 800 Ranger RZR-4 800 EFI 900 D Ranger Diesel 900 Ranger XP RZR 900 HE RZR-4 XP 900 inc MRZR RZR-S 900 HE 1000 Ranger Diesel RZR 1000 60 Inch	2015-2021 2013-2016 2009-2010 2017-2019 2017-2019 2014-2020 2009 2010-2014 2010-2013 2011-2013 2013-2015 2015-2019 2012-2013 2015-2019 2016-2019
MD6339D	F/R	Solid	246		Plain				POLARIS ATV Sportsman 500 XP Sportsman 550 XP Sportsman 800 EFI Intl HO Forest 850 Scrambler 850 Sportsman 850 Sportsman 850 XP Forest 1000 Scrambler 1000 Scrambler 1000 XP Sportsman 1000 Touring Sportsman 1000 XP POLARIS SIDE X SIDE 550 Sportsman X2	2009 2009-2014 2012-2013 2014 2013-2017 2010-2023 2009-2014 2015 2014-2018 2014-2021 2015-2021 2016-2020 2009
MD6341D Billet	F/R	Solid	200		Plain				HONDA SXS 500 M2 Pioneer MUV 700-9 Big Red SXS 700 M2 Pioneer SXS 700 M4 Pioneer	2015-2017 2009 2016-2023 2016-2023
MD6342D MD6342C	Rear Rear	Solid Solid	220 220		Plain Contour				BMW G 450 X	2008-2011
MD6343C OSX6343 SMX6343	Front Front Front	Solid Floating Floating	260 280 320		Contour Contour Contour		6 6		BMW G 450 X	2008-2011
MD6344D UTVX6344	Rear Rear	Solid Solid	220 220		Plain Vee				POLARIS SIDE X SIDE RZR 170 Ranger	2009-2013
MD6345D	Rear	Solid	240		Plain				HONDA XL 700 Transalp	2008-2011
MD6346D	Front	Solid	256		Plain				HONDA XL 650 Transalp XL 700 Transalp	2000-2007 2008-2011
MD6347C	Front	Solid	240		Contour				YAMAHA WR 125 R	2009-2015

OFF ROAD DISC BUYERS GUIDE

Disc No.	F/R	Type	Dia. mm	Hub Color	Profile	Bobbins	Left Bracket	Right Bracket	Model	Year
MD6348D	Rear	Solid	220		Plain				DINLI DL 450 RS DL901 QUADZILLA QZ 450 RS & Sport	2006-2009 2006-2009
MD6349C	Front	Floating	270	Silver	Contour	6			T.M. MX 85 MX 85 JR EN 125 Enduro MX 125 EN 144 MX 144 EN 250 Enduro EN 250 F Enduro MX 250 EN 300 Enduro MX 300 EN 450 F EN 450 Fi MX 450 F MX 450 Fi EN 530 F MX 530 F	2005-2009 2002-2009 2001-2009 2001-2009 2008-2009 2008-2009 2001-2009 2004-2009 2001-2009 2001-2009 2001-2009 2001-2009 2004 2005-2009 2004 2005-2009 2004-2009 2005-2009
MD6350C	Rear	Solid	240		Contour				T.M. MX 85 MX 85 JR EN 125 Enduro MX 125 EN 144 MX 144 EN 250 Enduro EN 250 F Enduro MX 250 EN 300 Enduro MX 300 EN 450 F EN 450 Fi MX 450 F MX 450 Fi EN 530 F MX 530 F	2005-2009 2002-2009 2001-2009 2001-2009 2008-2009 2008-2009 2001-2009 2004-2009 2001-2009 2001-2009 2001-2009 2004 2005-2009 2004 2005-2009 2004-2009 2005-2009 2005-2009
MD6352C	Rear	Solid	240		Contour				KAWASAKI KLX 250 SF	2009-2020
MD6353D UTVX6353	Front Front	Solid Solid	125 125		Plain Vee				POLARIS SIDE X SIDE RZR 170 Ranger	2009-2013
MD6354D	Rear	Solid	200		Plain				ADLY NB 125 B Noble MOTOROMA Lazer Buggie 125	2008-2009 2003-2007
MD6355D	Front	Solid	190		Plain				SUZUKI LT-A 500 X LT-A 750 King Quad	2009-2023 2010-2023
MD6356D MD6356C MD6356CX OSX6356 SMX6356 OSX6728 SMX6728	Front Front Front Front Front Front Front	Floating Floating Floating Floating Floating Floating Floating	250 250 250 280 320 280 320	Gold Gold Gold Black Black Black Black	Plain Contour Contour Contour Contour Contour Contour	6 6 6 6 6 6 6		BRK002 BRK002	YAMAHA YZ 125 WR 250 F 4T WR 250 F 4T Reverse Cyl YZ 250 YZ 250 F WR 400 FN WR 426 FN WR 426 FN WR 450 F YZ 450 F	2001-2016 2001-2013 2015-2016 2001-2016 2001-2015 2001 2001-2002 2001-2002 2003-2015 2003-2015

DISC BUYERS GUIDE

OFF ROAD DISC BUYERS GUIDE

Disc No.	F/R	Type	Dia. mm	Hub Color	Profile	Bobbins	Left Bracket	Right Bracket	Model	Year
MD6357C	Front	Solid	240		Contour				SINNIS Apache 125 SM Apache 125 SMR Blade X 125 R QM 125 GY-2B A Apache 125 QM 125 GY-2B Blade 125	2015-2020 2017-2020 2015-2020 2009-2014 2009-2014
MD6358C	Rear	Solid	210		Contour				SINNIS Apache 125 SM Apache 125 SMR QM 125 GY-2B A Apache 125	2015-2020 2017-2020 2009-2014
MD6359D	Front	Solid	240		Plain				GILERA RC 125 Rally	1987-1988
MD6360C MD6360COS	Rear	Solid	210		Contour				GAS-GAS PIERER MOB MC 125 HUSQVARNA TC 85 All Models KTM 85 SX All Models 250 R Freeride 350 Freeride	2021-2024 2014-2020 2003-2020 2014-2019 2012-2017
MD6361D	Front	Solid	240		Plain				DERBI Senda DRD SM 50 Senda DRD SM 50 Black Edition	2002-2005 2005
MD6362C	Rear	Solid	190		Contour				KAWASAKI KLX 125 KLX 125 D-Tracker	2010-2016 2010-2014
MD6363C	Front	Solid	240		Contour				KAWASAKI KLX 125 KLX 125 D-Tracker	2010-2016 2010-2014
MD6364D	Rear	Solid	220		Plain				QUADZILLA 250e Stinger R250 E	2006-2011 2006
MD6366D UTVX6366	F/R F/R	Solid Solid	215 215		Plain Vee				CAN AM SIDE X SIDE Commander 800 R STD EFI Commander 800 XT Commander 1000 DPS Commander 1000 LTD Commander 1000 STD Commander 1000 X Commander 1000 XT	2011-2019 2011-2015 2013-2014 2012-2014 2011-2014 2011-2013 2011-2015
MD6367C	Front	Floating	260	Gold	Contour	6			BETA 250 RR Enduro 350 RR Enduro 400 RR Enduro 450 RR Enduro RR 520 Enduro RR 525 Enduro HUSQVARNA TE 511	2005-2007 2011 2005-2011 2005-2011 2010-2011 2005-2009 2011-2012
MD6368C	Rear	Solid	240		Contour				BETA 250 RR Enduro 350 RR Enduro 400 RR Enduro 450 RR Enduro RR 520 Enduro RR 525 Enduro	2005-2007 2011 2005-2011 2005-2011 2010-2011 2005-2009
MD6369D	Rear	Solid	220		Plain				YAMAHA YFM 300 Grizzly	2012-2013

OFF ROAD DISC BUYERS GUIDE

Disc No.	F/R	Type	Dia. mm	Hub Color	Profile	Bobbins	Left Bracket	Right Bracket	Model	Year
MD6370D UTVX6370	F/R F/R	Solid Solid	215 215		Plain Vee				CAN AM ATV Outlander 450 All Models Outlander Max 450 All Models Outlander 500 Outlander Max 500 Renegade 500 STD Outlander 570 All Models Outlander Max 570 All Models Renegade 570 EFI All Models Outlander 650 All Models Outlander Max 650 All Models Renegade 650 All Models Outlander 800 R XT Outlander Max 800 R 4 x 4 STD/DPS/XT-P Renegade 800 R Outlander 850 EFI Renegade 850 EFI All Models Outlander 1000 All Models Outlander Max 1000 All Models Renegade 1000 All Models Renegade 1000 All Models CAN AM SIDE X SIDE Commander 1000 Max XT/DPS Maverick 1000 R All Models Maverick Max 1000	2018-2023 2018-2023 2013-2014 2013-2015 2012-2014 2018-2023 2018-2022 2019-2023 2013-2023 2013-2024 2019-2024 2008-2015 2013-2015 2012-2015 2018-2021 2019-2023 2012-2023 2012-2023 2012-2014 2017-2024 2014-2017 2014-2019 2014-2016
MD6371D MD6371C	Rear Rear	Solid Solid	220 220		Plain Contour				KTM EXC 350 LC4 Duke 400 LC4 EGS 400/EGS-E/EXC/LSE LC4 Enduro SC 400 Supercompetition LC4 EXC 440 SX 440 LC4 EXC 600 Duke 620 LC4 EGS 620 Enduro/EGS-E/LSE EGS-E 620 Adventure/Rallye LC4 620 SC Supermoto SC 620 Supercompetition SX 620 SX 620 EXC/EGS LC4 625 SC Supercompetition LC4 625 SC Supermoto SMC 625 SXC 625 Duke II 640 Duke-E 640 LC4 640 Adventure All Models LC4-E 640 Enduro LC4-E 640 Supermoto SMC 640 LC4 SMC 660 Supermoto	1994-1995 1994-1998 1996-2003 1996-1999 1994-1995 1994-1995 1990-1993 1994-1998 1996-1999 1999 2000 1996-2000 1996-1999 1994-1995 2002 2002 2004-2006 2003-2006 1999-2007 1998 1999-2007 2000-2004 1999-2006 2005 2003-2006
MD6372CX	Front	Solid	256		Contour				HONDA CRF 250 LA CRF 300 L	2017-2021 2020-2024
MD6373CX	Rear	Solid	220		Contour				HONDA CRF 250 LA CRF 300 L	2017-2021 2020-2024
MD6374D UTVX6374	Rear Rear	Solid Solid	218 218		Plain Vee				POLARIS SIDE X SIDE 900 Ranger XP	2013-2013
MD6376D UTVX6376	Rear Rear	Solid Solid	200 200		Plain Vee				KYMCO UXV 500 Side x Side UXV 700i Turf	2008-2021 2014-2021
MD6377C	Rear	Solid	240		Contour				HUSQVARNA TE 250 TE 250 Meo Replica TE 310 TE 511	2011-2013 2011 2011-2013 2011-2012

OFF ROAD DISC BUYERS GUIDE

Disc No.	F/R	Type	Dia. mm	Hub Color	Profile	Bobbins	Left Bracket	Right Bracket	Model	Year
MD6378D	Front	Solid	249		Plain				GILERA RC 125 Top Rally	1989-1992
MD6379C MD6379CX	Front Front	Solid Solid	240 240		Contour Contour				GAS-GAS PIERER MOB MC 85 HUSQVARNA TC 85 All Models KTM 85 SX All Models	2021-2024 2017-2024 2013-2024
MD6380D UTVX6380 UTVX6380UKR	F/R F/R F/R	Solid Solid Solid	247 247 233		Plain Vee Vee				POLARIS SIDE X SIDE 1000 General 4 EPS 4 Seat 1000 General EPS 2 Seat RZR 1000 XP	2017-2020 2016-2020 2014-2021
MD6381D	Rear	Solid	200		Plain				YAMAHA YXC 700 E Viking VI EP YXM 700 E Wolverine R YXM 700 ES Viking YXR 700 Rhino Wolverine X2 EPS YXE85W Wolverine X2 R-Spec Alu EPS R S YXE85 Wolverine X4 EPS YXF85 YAMAHA SIDE X SIDE YXE 1000 Wolverine RMAX 2 YXE 1000 Wolverine RMAX 4 YXZ 1000 EPS R - YXZ10PXG YXZ 1000 EPS R SE YXZ 1000 EPS R SS	2015-2018 2016 2014-2022 2009-2013 2021-2022 2021-2022 2021-2022 2021-2022 2021-2022 2016-2022 2016-2022 2017-2021
MD6382D UTVX6382	F/R F/R	Solid Solid	207 207		Plain Vee				YAMAHA YXC 700 E Viking VI EP YXM 700 E Viking EPS Como YXM 700 E Wolverine R YXM 700 ES Viking EPS SE Wolverine X2 EPS YXE85W Wolverine X2 R-Spec Alu EPS R S YXE85 Wolverine X4 EPS YXF85	2015-2018 2016 2016 2014-2022 2021-2022 2021-2022 2021-2022
MD6383D UTVX6383	F/R F/R	Solid Solid	203 203		Plain Vee				ARCTIC CAT ATV 400 Alterra 400 ATV Mid Size 500 ATV Mid Size 500 ATV XT Mid Size 500 TRV Core/2 Up 500 Alterra 550 ATV LTD Mid Size 550 ATV Mid Size 550 ATV XT Mid Size 550 Alterra TRV XT 550 TRV LTD/2 Up 570 Alterra 600 Alterra 700 Alterra 700 ATV Diesel 700 ATV LTD 700 TRV XT 1000 Alterra TRV XT EPS 1000 Mudpro SE EPS	2016-2018 2013-2014 2013-2014 2013-2014 2013-2014 2016-2019 2013-2014 2013-2014 2013-2014 2013-2014 2016-2019 2013-2014 2019-2020 2020-2024 2016-2023 2012-2014 2012-2014 2013-2015 2017 2016-2017
MD6384D UTVX6384	F/R F/R	Solid Solid	252 252		Plain Vee				ARCTIC CAT SIDE X SIDE 700 Wildcat Trail XT inc LTD 1000 Wildcat 4 and 4X	2015-2019 2013-2016
MD6385C	Front	Solid	260		Plain				SHERCO SE 250i SE 300i SE-R 300	2012-2015 2012-2015 2012-2015
MD6386C	Rear	Solid	220		Plain				BETA RE 125 Enduro RR 125 Enduro SHERCO 250 SEF-R 300 SCF-Factory	2010-2014 2009-2014 2019-2021 2019-2022

OFF ROAD DISC BUYERS GUIDE

Disc No.	F/R	Type	Dia. mm	Hub Color	Profile	Bobbins	Left Bracket	Right Bracket	Model	Year
MD6387D	Front	Solid	190		Plain				HONDA TRX 520 FE2 Foreman TRX 520 FM1/2 Foreman TRX 520 Foreman Rubicon All Models	2020-2022 2020-2023 2020-2023
MD6388C MD6388CX SMX6264	Front Front Front	Floating Floating Floating	270 270 320	Gold Gold Black	Contour Contour Contour	6 6 6			KAWASAKI KX 250 F KX 250 F 40th Anniversary Edition KX 250 F X Enduro 4T KX 450 F KX 450 F Tomac 4T KX 450 F X Enduro	2015-2024 2024 2021-2023 2015-2024 2019 2021-2023
MD6389CX OSX6389 SMX6389	Front Front Front	Solid Solid Floating	260 280 320		Contour Contour Contour	6 6 6		BRK042 BRK041	HONDA CRF 250 R AC CRF 250 RX CRF 450 L CRF 450 R CRF 450 RL CRF 450 R-S CRF 450 RWE CRF 450 RX CRF 450 X	2015-2024 2019-2024 2018-2020 2015-2024 2020-2024 2022-2024 2019-2024 2019-2024 2017-2020
MD6390D MD6390C	Front Front	Solid Solid	220 220		Plain Contour				HONDA CRF 125 F CRF 125 FB	2014-2023 2014-2023
MD6392C MD6392CX OSX6392 SMX6358	Front Front Front Front Front Front Front Front	Floating Floating Floating Floating Floating Floating Floating Floating	270 270 280 320 270 270 280 320	Silver Silver Silver Black Silver Silver Silver Black	Contour Contour Contour Contour Contour Contour Contour Contour	6 6 6 6 6 6 6 6		BRK002 BRK034 BRK002 BRK034	FANTIC XE 125 125cc 2T XX 125 125cc 2T XEF 250 250 4T XEF 250 Trail 250 4T XEX 250 250 4T XX 250 250 2T XE 300 2T XEF 450 450 4T XXF 450 450 4T YAMAHA YZ 125 YZ 125 Monster Energy YZ 125 X WR 250 F 4T Reverse Cyl YZ 250 YZ 250 F YZ 250 F 60th Ann Ed YZ 250 FX YZ 250 Monster Energy YZ 250 X WR 450 F YZ 450 F YZ 450 F MME YZ 450 FGY 60th Ann Ed YZ 450 FX YZ-F 450 Inc Monster Racing Ed	2021-2024 2021-2024 2021-2023 2021-2022 2021-2024 2021-2024 2023-2024 2021-2022 2021-2024 2017-2023 2022 2021-2023 2017-2024 2021-2024 2016-2023 2016 2021-2023 2021-2022 2017-2023 2016-2024 2016-2024 2021-2023 2016 2022-2023 2019-2022
MD6393D	Front	Solid	220		Plain				KYMCO UXV 500 Side x Side	2008-2021
MD6394D	Rear	Solid	184		Plain				GILERA GSM 50 RK 50 Cannibal Zulu 50	1999-2001 1996-1998 2001-2002
MD6395D UTVX6395	F/R F/R	Solid Solid	245 245		Plain Vee				YAMAHA SIDE X SIDE YZX 1000 EPS R SE & SS	2016-2018
MD6396D UTVX6396	F/R F/R	Solid Solid	220 220		Plain Vee				CAN AM SIDE X SIDE Defender HD5 500cc Traxter HD5 Traxter T HD5 Defender HD7 All Models Defender Max HD7 All Models Commander 700 All Models Defender HD8 799cc	2017-2019 2017-2019 2018-2019 2022-2023 2022-2023 2022-2023 2016-2019

OFF ROAD DISC BUYERS GUIDE

Disc No.	F/R	Type	Dia. mm	Hub Color	Profile	Bobbins	Left Bracket	Right Bracket	Model	Year
MD6396D UTVX6396 Contd.									Defender Max HD8 799cc Defender XT Maverick Trail 800R EFI Traxter HD8 Traxter T HD8 Defender 976cc Defender 976cc DPS Defender HD10 976cc Defender HD9 All Models Defender Max HD10 976cc Defender Max HD9 All Models Defender Pro HD10 Commander 1000R All Models Commander Max 1000R All Models Maverick Trail 1000 EFI Traxter HD10 Traxter HD10 Max Traxter T HD10	2018-2021 2016 2018 2017-2019 2018-2019 2016 2016 2017-2023 2022-2023 2018-2023 2022-2023 2020-2023 2021-2023 2021-2023 2018 2017-2019 2018-2021 2018-2021
MD6397D UTVX6397 OSUTVX6397	F/R F/R F/R	Solid Solid Solid	248 248 270		Plain Contour Contour				POLARIS SIDE X SIDE RZR 1000 XP 4 Turbo RZR 1000 XP Turbo RZR 1000 XP Turbo Pro	2016-2020 2016-2020 2020-2022
MD6398D UTVX6398	F/R F/R	Solid Solid	212 212		Plain Contour				KAWASAKI KAF 820 Mule Pro All Models KAF 1000 Mule Pro DX/DXT Diesel All Models	2015-2018 2016-2024
MD6399D UTVX6399	F/R F/R	Solid Solid	200 200		Plain Vee				KAWASAKI KRT 750 Teryx 4 4 x 4 All Models KRF 800 Teryx All Models	2012-2013 2014-2018
MD6400D	Front	Solid	260		Plain				AJP PR3 125 Enduro PR3 125 Enduro Pro PR3 125 Extreme PR3 125 Supermoto SPR 125 PR3 200 Enduro PR3 200 Enduro Pro PR3 200 M/X Pro PR3 200 Supermoto SPR 240 SPR 240 X SPR 250 R SPR 250 R	2013-2015 2013-2015 2013-2015 2013-2015 2022-2024 2012-2014 2012-2014 2012-2014 2012-2014 2022-2024 2022-2024 2022-2024 2022-2024
MD6401D	Rear	Solid	220		Plain				AJP PR3 125 Enduro PR3 125 Enduro Pro PR3 125 Extreme PR3 125 Supermoto SPR 125 PR3 200 Enduro PR3 200 Enduro Pro PR3 200 M/X Pro PR3 200 Supermoto SPR 240 SPR 240 X SPR 250 R SPR 250 R SPR 310 R SPR 510 R HONDA-HM ITALY CRE 50 Baja/Six/Derapage	2013-2015 2013-2015 2013-2015 2013-2015 2022-2024 2012-2014 2012-2014 2012-2014 2012-2014 2022-2024 2022-2024 2022-2024 2022-2024 2022-2024 2022-2024 2022-2024 2003-2009
MD6402C	Front	Solid	260		Contour				AJP PR4 200 Enduro PR4 200 Enduro Pro PR4 200 Supermoto PR4 200 Supermoto Pro PR4 240 Extreme	2004-2014 2010-2014 2004-2014 2010-2011 2013-2015

OFF ROAD DISC BUYERS GUIDE

Disc No.	F/R	Type	Dia. mm	Hub Color	Profile	Bobbins	Left Bracket	Right Bracket	Model	Year
MD6403C	Rear	Solid	220		Contour				AJP PR4 200 Enduro PR4 200 Enduro Pro PR4 200 Supermoto PR4 200 Supermoto Pro PR5 250 Enduro PR5 250 Supermoto	2004-2014 2010-2014 2004-2014 2010-2011 2009-2015 2009-2015
MD6404C	Front	Solid	270		Contour				AJP PR4 200 Extreme PR5 250 Extreme	2012-2014 2012-2015
MD6405C	Rear	Solid	219		Contour				AJP PR4 200 Extreme PR4 240 Extreme PR5 250 Extreme	2012-2014 2013-2015 2012-2015
MD6406D	Front	Solid	300		Plain				APRILIA ETV 1000 Capnord Rally ETV 1000 Caponord	2003 2004-2007
MD6407C MD6407CX	F/R Rear	Solid Solid	220 220		Contour Contour				GAS-GAS PIERER MOB MC 85 HUSQVARNA TC 85 KTM 85 SX	2021-2024 2014-2024 2012-2024
MD6409C	Front	Floating	296	Black	Contour	6			HONDA CRF 250 RL Rally CRF 250 RLA Rally CRF 300 Rally	2017-2021 2017-2021 2020-2024
MD6410D UTVX6410	F/R F/R	Solid Solid	210 210		Plain Contour				HONDA SXS 1000 M3 Pioneer SXS 1000 M5 Pioneer	2016-2020 2016-2020
MD6411D UTVX6411 OSUTVX6411 OSUTVXKIT6411 (Replacement Oversize Discs) (Same OS Discs used front and rear)	Front Front	Solid Solid	260 260		Plain Vee				CAN AM SIDE X SIDE Maverick X3 All Models Maverick X3 Max Turbo R & RR Maverick X3 Turbo R Commander 1000 Max XT/DPS Commander 1000 STD Commander 1000 XT Maverick 1000 R Maverick Max 1000	2017-2021 2017-2021 2018-2021 2014-2017 2011-2014 2011-2015 2014-2019 2014-2016
MD6412D UTVX6412 OSKIT6411 (Oversize Disc & Bracket Kit) OSUTVX6411 (Same OS Discs used front and rear)	Rear Rear	Solid Solid	247.5 247.5		Plain Vee				CAN AM SIDE X SIDE Maverick X3 All Models	2017-2021
MD6414D MD6414C	Front Front	Floating Floating	320 320	Gold Gold	Plain Contour	6 6			GAS-GAS PIERER MOB SM 700 HUSQVARNA 701 Supermoto KTM 690 SMC	2022-2024 2016-2024 2014-2024
MD6415D MD6415C	Rear Rear	Floating Floating	240 240	Silver Silver	Plain Contour	6 6			HUSQVARNA 701 Supermoto KTM 690 Enduro R 690 SMC	2016-2024 2014-2024 2014-2024
MD6417C	Rear	Floating	240	Gold	Contour	6			GAS-GAS PIERER MOB ES 700 HUSQVARNA 701 Enduro ABS	2022-2023 2019-2024

OFF ROAD DISC BUYERS GUIDE

Disc No.	F/R	Type	Dia. mm	Hub Color	Profile	Bobbins	Left Bracket	Right Bracket	Model	Year
MD6418D MD6418C MD6418CX	Front Front Front	Solid Solid Solid	197 197 197		Plain Contour Contour				YAMAHA YZ 65 YZ 65 J	2018-2024 2018-2023
MD6419D MD6419C MD6419CX	Rear Rear Rear	Solid Solid Solid	190 190 190		Plain Contour Contour				YAMAHA YZ 65 YZ 65 J	2018-2024 2018-2023
MD6421D MD6421C MD6421CE MD6421CX	Rear Rear Rear Rear	Solid Solid solid Solid	250 250 250 250		Plain Contour Contour Contour				KAWASAKI KX 450 F KX 450 F Tomac 4T	2019-2020 2019
MD6422C MD6422CX	Front Front	Solid Solid	270 270		Contour Contour				SUZUKI RM-Z 250 RM-Z 450	2019-2024 2018-2024
MD6423D	Rear	Solid	240		Plain				KTM 1290 Super Duke 1290 Super Duke GT 1290 Super Duke R 1290 Super Duke R Evo 1290 Super Duke R SE 1290 Super Duke RR Brabus 1300R 1390 Super Duke R 1390 Super Duke R Evo	2014-2023 2016-2024 2020-2023 2022-2023 2016-2017 2021-2022 2022-2023 2024 2024
MD6424D MD6424C	Rear Rear	Floating Floating	267 267		Plain Contour	6 6			KTM 1050 Adventure 1090 Adventure 1190 Adventure 1290 Super Adventure R	2015-2016 2017-2019 2013-2016 2015-2024
MD6425D MD6426C	F/R Front	Solid Solid	250 260		Plain Plain				HONDA SXS 1000 S2R Talon KTM 250 R Freeride 350 Freeride	2019-2021 2014-2019 2012-2017
MD6427C	Front	Floating	280	Silver	Contour	6			METRAKIT XL 80 Mini GP	2009
MD6428C	Rear	Solid	165		Plain				METRAKIT XL 80 Mini GP	2009
MD6429D MD6429C MD6429CX	Front Front Front	Solid Solid Solid	260 260 260		Plain Contour Contour				SHERCO 125 SC-Factory 125 SE-Factory 125 SE-R 125 X-Ride 250 SC-Factory 250 SCF-Factory 250 SE-Factory 2T 250 SEF-Factory 4T 250 SEF-R 250 SE-R 250 SE-Racing 300 SCF-Factory 300 SEF-Factory 4T 300 SEF-R 300 SEF-Racing 300 SE-Racing 450 SCF-Factory 450 SEF-Factory 450 SE-R 500 SCF-Factory 500 SEF-Factory 500 SEF-R	2019-2023 2019-2024 2019-2023 2019-2021 2019-2021 2019-2021 2019-2024 2019-2024 2019-2021 2019-2021 2021-2023 2019-2022 2019-2024 2019-2023 2019-2023 2019-2023 2019-2022 2019-2024 2019-2023 2019-2023 2019-2022 2019-2024 2019-2021 2019-2022 2019-2024 2019-2021

OFF ROAD DISC BUYERS GUIDE

Disc No.	F/R	Type	Dia. mm	Hub Color	Profile	Bobbins	Left Bracket	Right Bracket	Model	Year
OSX69320RG	Front	Floating	280	Orange	Contour	6	BRK013		HUSABERG	
									TE 125	2012-2014
									FE 250	2013-2014
									TE 250	2011-2014
									TE 300	2011-2014
									FE 350	2013-2014
									FE 390	2010-2012
									FE 450	2009-2013
									FX 450	2010-2011
									FE 501	2013-2014
									FE 570	2009-2012
									HUSQVARNA	
									TC 125	2014-2024
									TE 125	2014-2019
									TE 150 TPI	2018-2024
									FC 250 T	2014-2024
									FE 250 T	2014-2024
									TC 250	2009-2024
									TE 250	2009-2018
									TE 250 Meo Replica	2011
									TE 250 TPI	2019-2024
									TE 300	2014-2020
									TE 300 TPI	2019-2024
									TE 300 TPI Jarvis Edition	2019-2021
									TE 300 TPI RockStar Edition	2022
									TE 310	2010-2013
									FC 350 FC 350	2014-2024
									FE 350	2014-2024
									TC 449	2011-2013
									TE 449	2011-2013
									FC 450	2014-2024
									FC 450 Rockstar Edition	2019-2022
									FE 450	2014-2024
									FR 450 Rally	2016-2023
									FS 450	2015-2024
									FX 450	2017-2021
									FE 501 inc S Model	2014-2024
									TE 511	2011-2012
									KTM	
									EXC 125	2009-2017
									EXC 125 Six Days	2011-2017
									SX 125	2009-2024
									XC-W 125	2017-2019
									150 EXC TPI	2021-2024
									SX 150	2009-2022
									XC 150	2011-2013
									XC-W 150 Tpi	2017-2021
									EXC 200 Inc Six Days	2009-2016
									EXC 250	2009-2023
									EXC 250 Six Days	2011-2024
									EXC 250 Tpi	2018-2024
									EXC-F 250	2009-2024
									EXC-F 250 Six Days	2011-2024
									SX 250	2009-2024
									SX-F 250	2009-2024
									SX-F 250 Ken Roczen Edition	2012
									SX-F 250 Prado	2020
									XC 250	2011-2017
									XC 250 Tpi	2019-2022
									XC-F 250	2011-2020
EXC 300	2009-2019									
EXC 300 Six Days	2011-2020									
EXC 300 Tpi	2019-2024									
EXC 300 Tpi Six Days	2020-2024									
SX 300	2023-2024									
XC 300	2011-2023									
EXC-F 350	2011-2024									
EXC-F 350 Factory Edition	2022									
EXC-F 350 Six Days	2012-2024									
EXC-F 350 WESS Edition	2021-2022									
SX-F 350	2011-2024									
SX-F 350 Tony Cairoli Edition	2012									
XC-F 350 Inc XCF-W	2012-2021									
EXC-F 450	2009-2024									
EXC-F 450 Six Days	2011-2024									

OFF ROAD DISC BUYERS GUIDE

Disc No.	F/R	Type	Dia. mm	Hub Color	Profile	Bobbins	Left Bracket	Right Bracket	Model	Year
OSX69320RG Contd.									SX-F 450 SX-F 450 Cairoli Edition EXC 500 Six Days EXC-F 500 SX-F 505 EXC 530 Six Days	2009-2024 2021-2022 2012-2024 2012-2024 2009 2011

EBC CLUTCH KITS

Heavy Duty Clutches & Springs

MAKE & MODEL	MODEL YEAR	CK Series #	CKF Series #	Spring Kit #	DRC Series #	DRCF Series #	SRC Series #	SRK Series #	CT Tool #
HONDA									
C 50 M/C 50	78	CK1107		CSK044					
C 50 Z	78-81	CK1148		CSK044					
C 50 All models	82-93	CK1148							
C 50 Single seat model	95	CK1148							
C 50	96-02	CK1148							
CB 50 J	81	CK1150		CSK003					CT012SP
CB 50 V/W Dream 50	97-98	CK1150		CSK048					CT012SP
CD 50 Benley 50 S	96-99	CK1105							
CF 50/CF 50 K2	77-78	CK1148		CSK044					
CL 50 V/X Benley	97-99	CK1105							
CR 50 RE-RF	84-85	CK1151	CKF1151	CSK003					CT012SP
CRF 50 F	04-21	CK1148					SRC090		
CRM 50 R	93-96	CK1150		CSK003					CT012SP
MB 50	80-82	CK1150		CSK003					CT012SP
MTX 50 SC	83-87	CK1150		CSK003					CT012SP
MBX 50 SD/SF	83-85	CK1150		CSK003					CT012SP
MP 50 3/DX3 AC17 Solo	03	CK1148							
MT 50 S	80-93	CK1150		CSK003					CT012SP
NSR 50 F	93-95	CK1150		CSK003					CT012SP
NSR 50 R	97-00	CK1150		CSK003					CT012SP
NSR 50 SK/SP/SR/SS	89-95	CK1150		CSK003					CT012SP
NSR 50 V AC10-180	97	CK1151	CKF1151	CSK003					CT012SP
NSR 50 X AC10-190	99	CK1151	CKF1151	CSK003					CT012SP
SS 50 ZK2/ZB2	75-80	CK1105							
ST 50 J/K Dax	78-93	CK1148							
TLM 50 F	85	CK1150		CSK031					CT012SP
XR 50 R1/R2/R3	01-03	CK1148							
XR 50 M5 AD14 Motard	06	CK1150		CSK048					CT012
XZ 50 39844 APE-AC16	01-02	CK1150		CSK048					CT012
Z 50 RZ/RA-RD	79-86	CK1107		CSK044					
CR 60 RF/RG	85-86	CK1151	CKF1151	CSK003					CT012
ATC 70 All Models	78-85	CK1148		CSK018					
C 70/C 70 M	-78	CK1107							
C 70 Z	78-85	CK1148		CSK018					
CF 70 C	77-78	CK1148		CSK018					
CRF 70 F	04-13	CK1148		CSK018					
XR 70 R	97-03	CK1148		CSK018					
CRM 75 R	89-94	CK1151	CKF1151	CSK003					CT012SP
NSR 75 NS-1	92-00	CK1151	CKF1151	CSK003					CT012SP
XR 75 K4/K5	78-79	CK1150		CSK022					CT012
CR 80 RA/RB/RC	80-82	CK1151	CKF1151	CSK003					CT012
CR 80 RD	83	CK1151	CKF1151	CSK023					CT012
CR 80 RE	84	CK1119		CSK023					CT012SP
CR 80 RF/R2F	85	CK1119		CSK173	DRC001				CT012SP
CR 80 RG/R2G	86	CK1119		CSK173	DRC001				CT012SP
CR 80	87-02	CK1119		CSK173	DRC001				CT012SP
CRF 80	04-12	CK1150		CSK048					CT012
MBX 80 F	83-86	CK1151	CKF1151	CSK003					CT012SP
MTX 80 R	83-84	CK1151	CKF1151	CSK003					CT012SP
NSR 80 J-HC06	88	CK1151	CKF1151	CSK003					CT012SP
NSR 80 J-HC06	97	CK1151	CKF1151	CSK003					CT012SP
NSR 80 J-HC06	99	CK1151	CKF1151	CSK003					CT012SP
XR 80 Z/A/B	80-81	CK1150		CSK022					CT012
XR 80 R	87-88	CK1150		CSK008					CT012
CR 85 R	03-07	CK1119		CSK173	DRC001				CT012SP
C 90 from frame no A073285/Z2/ZZ	75-81	CK1156							
C 90 Cub	82-03	CK1148							
TRX 90	93-06	CK1151	CKF1151						CT012SP
TRX 90 EX	07-08	CK1151	CKF1151						CT012SP
TRX 90 X	09-14	CK1151	CKF1151						CT012SP
Astrea Supra NF100	99	CK1151	CKF1151						CT012SP
Astrea Grand/Supra Drum model	97-98	CK1151	CKF1151						CT012SP
CB 100 N	78-80	CK1119		CSK004					CT012SP
CRF 100 F	04-12	CK1151	CKF1151	CSK023	DRC049	DRCF049			CT012
H 100	84-92	CK1151	CKF1151	CSK048					CT012SP
XL 100 SZ/SA	78-80	CK1151	CKF1151	CSK048					CT012
XL 100 SB	81-82	CK1151	CKF1151	CSK022					CT012
XR 100 R	93-03	CK1151	CKF1151	CSK023	DRC049	DRCF049			CT012
XR 100 M5 HD13 Motard	06	CK1151	CKF1151	TBC					CT012
XZ 100 2 APE-HC07	02	CK1151	CKF1151						CT012
ATC 110 All models	79-84	CK1156		CSK018					

CLUTCH APPLICATIONS

EBC CLUTCH KITS

MAKE & MODEL	MODEL YEAR	CK Series #	CKF Series #	Spring Kit #	DRC Series #	DRCF Series #	SRC Series #	SRK Series #	CT Tool #
HONDA Contd.									
CRF 110 F	13-17	TBC							
CT 110 A/B/C/D/K/M	80-88	CK1156							
CT 110 P	89-04	CK1156							
CT 110 X	05-09	CK1156							
ANF 125 Innova	03-11	CK1307		CSK197					
ATC 125 ME	84	CK1156		CSK021					
ATC 125 MG	86	CK1151	CKF1151	CSK048					CT012SP
CA 125 S/T	95-96	CK1252		CSK167					CT012SP
CA 125 Rebel V/W/X	98-00	CK1119		CSK167					CT012SP
CB 125 F GLR 125 1WHF	15-16	CK1151		TBC					
CB 125 F GLR 125 1WHH	17-18	CK1151		TBC					
CB 125 S/J	75-79	CK1119		CSK041					CT012
CB 125 T/T2	78-80	CK1119		CSK167					CT012
CB 125 TDC/TDE	83-86	CK1119		CSK167					CT012SP
CB 125 TDJ	87-89	CK1252		CSK167					CT012SP
CB 125 RS	83	CK1119		CSK041					CT012SP
CBF 125 6 Stunner	06	CK1151		CSK006					CT012SP
CBF 125 M7 Stunner	07	CK1151		CSK006					CT012SP
CBF 125	09-15	CK1119		CSK166					CT012SP
CBR 125 R	04-06	CK1252		CSK193					CT012SP
CBR 125 R	07-16	CK1119		CSK193			SRC119	SRK119	CT012SP
CD 125 TC	78	CK1119		CSK167					CT012SP
CG 125 Cargo	10	TBC		TBC					
CG 125	77-00	CK1119		CSK041					CT012
CG 125 M1/1	01-03	CK1252		CSK041					CT012
CG 125 ES4-ES8	04-08	CK1252		CSK041					CT012
CG 125 Job	05	TBC		TBC					
CLR 125 W City Fly	98-03	CK1119		CSK167					CT012SP
CM 125 CC/CF	82-85	CK1119		CSK009					CT012SP
CT 125 C	85	CK1119		CSK041					CT012
CR 125 M2-M4	76-78	CK1144		CSK036					CT002
CR 125 RZ/RA	79-80	CK1199		CSK031					
CR 125 RB	81	CK1191	CKF1191	CSK031					CT002
CR 125 RC	82	CK1186		CSK031					CT002
CR 125 RD/RE	83-84	CK1190	CKF1190	CSK024	DRC067				CT013
CR 125 RF	85	CK1200		CSK024	DRC068				CT001
CR 125 R	86-99	CK1222		CSK024	DRC002				CT001
CR 125 R	00-03	CK1293	CKF1293	CSK176	DRC262	DRCF262			CT001
CR 125 R	04-07	CK1293	CKF1293	CSK077	DRC101	DRCF101			CT001
CRF 125 F	14-15	CK1325		TBC					
CRF 125 FB	14-16	CK1325		TBC					
CRM 125 R	90-99	CK1160		CSK004					CT013SP
LS 125 R	00-	CK1252		CSK105					CT012SP
MBX 125 FE	84-86	CK1180		CSK009					CT013SP
Monkey	19-21	CK1315		CSK197			SRC122	SRK122	CT084SP
MSX 125 Grom	13-21	CK1315		CSK197			SRC122	SRK122	CT084SP
MSX 125 Grom ABS	17-21	CK1315		CSK197			SRC122	SRK122	CT084SP
MTX 125 R	83-95	CK1180		CSK004					CT013SP
NS 125 F 5 Plate Clutch	86-87	CK1153		CSK159					CT013SP
NSR 125 F 6 Plate Clutch	88-92	CK1160		CSK004					CT013SP
NSR 125 R 6 Plate Clutch	89-92	CK1160		CSK004					CT013SP
NSR 125 R 6 Plate Clutch	93-01	CK1160		CSK004					CT013SP
NX 125 Transcity	89-97	CK1119		CSK167					CT012SP
NXR 125 Bros	05	TBC		TBC					
TL 125 S	76	CK1119		CSK004					CT012SP
TRX 125 J	88	CK1151	CKF1151	CSK048					CT012SP
VT 125 Shadow	99-08	CK1292		CSK120					
XL 125 K2-K4/SZ/SA	78-79	CK1119		CSK004					CT012SP
XL 125 SB/SC/SZ/SA	79-82	CK1119		CSK031					CT012SP
XL 125 RC/RF/RH	83-86	CK1119		CSK009					CT012SP
XL 125 Varadero	01-11	CK1292		CSK120					
XLR 125 RW	98-99	CK1119		CSK166					CT012SP
XR 125 L	03-08	CK1119		CSK167					CT012SP
CBF 150 5	2005	CK1151		CSK006					CT012SP
CBF 150 M5 Unicorn	2005	CK1151		CSK006					CT012SP
CBF 150	2006	CK1151		CSK006					CT012SP
CBF 150 M6/M7 Unicorn	06-07	CK1151		CSK006					CT012SP
CBF 150 M Unicorn	07-10	CK1151		CSK006					CT012SP
CBF 150 M Unicorn	11-12	CK1151		CSK006					CT012SP
CBR 150 R	00-03	CK1252							CT012SP
CRF 150 F	03-05	CK1304		CSK077	DRC180				CT012SP
CRF 150 F	06-19	CK1119		CSK006	DRC181				CT012SP
CRF 150 R	07-21	CK1191	CKF1191	CSK134	DRC182	DRCF182			CT002
CRF 150 RB	07-21	CK1191	CKF1191	CSK134	DRC182	DRCF182			CT002
CD 175	67-68	CK1123		CSK008					
CD 175	69-79	CK1134		CSK008					

CLUTCH APPLICATIONS

EBC CLUTCH KITS

MAKE & MODEL	MODEL YEAR	CK Series #	CKF Series #	Spring Kit #	DRC Series #	DRCF Series #	SRC Series #	SRK Series #	CT Tool #
HONDA Contd.									
CD 185 T	78	CK1119		CSK009					CT012SP
ATC 185	80-83	CK1151	CKF1151	CSK022					CT012SP
XL 185 SZ/SA/SB	80-81	CK1119		CSK041					CT012SP
XL 185 SB	82	CK1119		CSK065					CT012SP
ATC 200	81-84	CK1151	CKF1151	CSK022					CT012SP
ATC 200 XD	84	CK1119		CSK024					CT012SP
CB 200/CB 200 B	76-78	CK1134		CSK008					
CBX 200 Strada	97-01	TBC		TBC					
CD 200 TA	79-80	CK1119		CSK024					CT012SP
CM 200 TA/TB	79-80	CK1119		CSK024					CT012SP
CTX 200/CTX 200 A Bushlander	04-05	CK1119		CSK105	DRC091				CT012SP
MTX 200 RWD	83-84	CK1217		CSK004					CT013SP
MTX 200 RWF	85	CK1180		CSK106					CT013SP
TA 200 TA Shadow	02-05	CK1252		TBC					CT012SP
TL 200 J/Y	76-78	CK1119		CSK004					CT012SP
TLR 200 D/E/G/H	83-87	CK1119		CSK009					CT012SP
TRX 200 L/M	90-91	CK1119		CSK172	DRC004				CT012SP
TRX 200 D	91-97	CK1119		CSK172	DRC004				CT012SP
TRX 200 SX	86-87	CK1119		CSK172	DRC004				CT012SP
XR 200 R	81-83	CK1119		CSK105	DRC091				CT012SP
XR 200 R	84-85	CK1180		CSK004	DRC060				CT013SP
XR 200 R	86-02	CK1119		CSK105	DRC091				CT012SP
XR 200	80-84	CK1119		CSK105	DRC091				CT012SP
FTR 223 MCS4	00-02	CK1252		TBC					CT012SP
CRF 230 F	04-09	CK1304		CSK024	DRC136				CT012SP
CRF 230 L	08-10	CK1252		CSK009	DRC249				CT012SP
CRF 230 M Supermoto	09-10	CK1252		CSK009	DRC249				CT012SP
SL 230 V/W/X/1	97-01	CK1252		TBC					CT012SP
XL 230 2 MC36	02	CK1252		TBC					CT012SP
ATC 250 RB/RC/RD	81-83	CK1163		CSK031					
ATC 250 RF	85	CK1193	CKF1193	CSK015					CT013SP
ATC 250 RG	86	CK1193	CKF1193	CSK032					CT013SP
ATC 250	85-88	CK1194		CSK004					CT013SP
AX-1 NX 250	89-94	CK1190	CKF1190	CSK030	DRC051				CT013SP
CB 250 K3-K5	73-75	CK1132		CSK004					CT009
CB 250 G5	75-76	CK1132		CSK004					CT009
CB 250 T	78-82	CK1140		CSK006					CT013SP
CB 250 RSA/RSD	81-84	CK1153		CSK009					CT013SP
CB 250 Two Fifty	93-05	CK1191	CKF1191	CSK024					CT012SP
CB 250 F MC31 Hornet	96-01	CK1235		CSK172			SRC047	SRK047	CT012SP
CBF 250 4 / 6	04-06	CK1190	CKF1190	CSK168					CT013SP
CBR 250 F MC14/17/19	86-89	CK1235		CSK172			SRC047	SRK047	CT012SP
CBR 250 RR MC22	90-94	CK1235		CSK172			SRC047	SRK047	CT012SP
CBR 250 RB/RC	11-13	CK1313	CKF1313	CSK188					
CBR 250 RAB/RAC	11-13	CK1313	CKF1313	CSK188					
CBX 250 RSE	84	CK1217		CSK007					CT013SP
CBX 250	84-98	TBC		CSK106					
CD 250 UJ/UK	88-92	CK1191	CKF1191	CSK024					CT012SP
CJ 250 T/T2	77	CK1132		CSK031					CT009
CL 250 SC	81	CK1153		CSK009					CT013SP
CM 250 TB	81	CK1140		CSK016					CT013SP
CMX 250 CT/CV/CW/CX	96-00	CK1191	CKF1191	CSK024					CT012SP
CR 250 R/RZ/RA	78-80	CK1163		CSK031					
CR 250 RB/RC	81-82	CK1131		CSK041					CT009
CR 250 R	83-89	CK1170	CKF1170	CSK028	DRC003				CT009
CR 250 RL/RM/RN/RP	90-93	CK1247	CKF1247	CSK028	DRC075				CT009
CR 250 R	94-07	CK1247	CKF1247	CSK178	DRC079	DRCF079			CT009
CRF 250 F	19-21	CK1217			DRC335				
CRF 250 LD/LF	13-16	CK1314	CKF1314	CSK188	DRC277	DRCF277			CT081SP
CRF 250 L / LA	13-21	CK1314	CKF1314	CSK188	DRC277	DRCF277			CT081SP
CRF 250 RL/RLA Rally	17-21	CK1314	CKF1314	CSK188	DRC277	DRCF277			CT081SP
CRF 250 ME Supermoto	14-15	CK1314	CKF1314	CSK188	DRC277	DRCF277			CT081SP
CRF 250 R4/R5/R6/R7	04-07	CK1293	CKF1293	CSK176	DRC129	DRCF129			CT001
CRF 250 R8-R9	08-09	CK1305	CKF1305	CSK176	DRC208	DRCF208			CT001
CRF 250 RA	10	CK1293	CKF1293	CSK164	DRC256	DRCF256			CT001
CRF 250 R	11-21	CK1305	CKF1305	CSK215	DRC261	DRCF261			CT001
CRF 250 R	22-24	TBC			TBC	TBC			CT001
CRF 250 RE	16	CK1305	CKF1305	CSK215	DRC261	DRCF261			CT001
CRF 250 X	04-17	CK1305	CKF1305	CSK176	DRC208	DRCF208			CT001
CRF 250 RX	19-24	TBC			TBC	TBC			CT001
CRF 250 XRL Road Legal	14-16	CK1305	CKF1305	CSK176	DRC208	DRCF208			CT001
CRM 250 R MD24	89-90	CK1193	CKF1193	CSK028	DRC093				CT013
CRM 250 R RM MK2 MD24	91-92	CK1193	CKF1193	CSK028	DRC093				CT013
CRM 250 R MK2 MD24	93	CK1193	CKF1193	CSK028	DRC093				CT013
CRM 250 MK3 MD24-10	94-96	CK1181		CSK028					CT013
CRM 250 Active Radial ARV/ARW MD32	97-98	CK1181		TBC					CT013

CLUTCH APPLICATIONS

EBC CLUTCH KITS

MAKE & MODEL	MODEL YEAR	CK Series #	CKF Series #	Spring Kit #	DRC Series #	DRCF Series #	SRC Series #	SRK Series #	CT Tool #
HONDA Contd.									
GB 250 Custom	84-97	CK1217		CSK007					CT013SP
MXV 250 F MC92	83-88								
NS 250 FE/RE MC11-100	84	CK1218	CKF1218	CSK020					CT013
NS 250 RG MC11-102	86	CK1218	CKF1218	CSK020					CT013
NSR 250 MC16-100 Wet Clutch	86	CK1181		CSK024					CT013
NSR 250 MC18-100 Wet Clutch	88	CK1181		CSK024					CT013
NSR 250 R5K/R5K-2 MC18-110 Wet Clutch	89	CK1181		CSK024					CT013
NSR 250 R6K/R6K-2 MC18-110 Dry Clutch	89	CK1288		CSK009					CT071SP
NSR 250 MC21-100 Wet Clutch	90	CK1181		CSK024					CT013
NSR 250 R8L-3 MC21-106	90-92	CK1288		CSK167					CT071SP
NSR 250 R9N MC21-106 Dry Clutch	92	CK1288		CSK167					CT071SP
NSR 250 RR MC28-100 Wet Clutch	94	CK1181		CSK024					CT013
NSR 250 R MC28-120 Dry Clutch	94	CK1288		CSK167					CT071SP
NX 250 J/K/L MD21	87-90	CK1190	CKF1190	CSK065					CT013SP
NX 250 2L/M/P/2P	90-93	CK1190	CKF1190	CSK065					CT013SP
TL 250/TL 250 K1	78-79	CK1131		CSK004					CT009
TLR 250 F	85	CK1119		CSK105	DRC091				CT012SP
TRX 250 F/G/H	85-87	CK1194		CSK004					CT013SP
TRX 250 RG/RH	86-87	CK1193	CKF1193	CSK032	DRC005				CT013
TRX 250 R/J/RK	88-89	CK1193	CKF1193	CSK045	DRC081				CT013
TRX 250 Re Con Manual Shift	97-14	CK1119		CSK172	DRC004				CT012SP
TRX 250 TE2 Re Con ES Electric Shift	02-14	CK1119		CSK172	DRC004				CT012SP
TRX 250 X9/XA/XB	09-11	CK1119		CSK172	DRC004				CT012SP
TRX 250 EX1/2/3/4/5/6/7/8	01-08	CK1119		CSK172	DRC004				CT012SP
VT 250 FD	83	CK1191	CKF1191	CSK023					CT002
VT 250 FL Spada/Castec	88-90	CK1235		CSK172					CT012SP
VTZ 250 H/J/K	86-88	CK1235		CSK172			SRC047	SRK047	CT012SP
VTR 250 W/Y MC33/1-7	98-07	CK1235		CSK172			SRC047	SRK047	CT012SP
VTR 250 9	09-10	CK1235		CSK004					CT012SP
XL 250 K3/K4	78-79	CK1131		CSK004					CT009
XL 250 S/SZ/SA	78-80	CK1152		CSK009					CT013SP
XL 250 SB/RC	81-82	CK1153		CSK009					CT013SP
XL 250 RE/RF	84-85	CK1180		CSK004	DRC060				CT013SP
XR 250 SZ/SA	79-80	CK1152		CSK009					CT013SP
XR 250 RB/RC/RD	81-83	CK1153		CSK009					CT013SP
XR 250 RE/RF	84-85	CK1180		CSK004	DRC060				CT013SP
XR 250 R	86-95	CK1190	CKF1190	CSK004	DRC044	DRCF044			CT013SP
XR 250 R	96-04	CK1190	CKF1190	CSK065	DRC084				CT013SP
XR 250 Tornado	05	TBC		TBC					
XR 250 Y/3 MD30	00-03	CK1190	CKF1190	CSK065					CT013SP
XR 250 3 / 5 MD30 Motard	03-05	CK1190	CKF1190	CSK065					CT013SP
XR 250 III Y/3 Baja	00-03	CK1190	CKF1190	CSK065					CT013SP
CB 300 F	15	CK1314		CSK188					CT081SP
CBF 300 NA	18-21	CK1314		CSK188	DRC277				CT081SP
CBR 300 RA	14-21	CK1314		CSK188	DRC277				CT081SP
CRF 300 L Inc Rally	21-24	TBC			TBC	TBC			
TRX 300	88-00	CK1196		CSK023	DRC006				CT013SP
TRX 300 EX	93-08	CK1190	CKF1190	CSK004	DRC044	DRCF044			CT013SP
TRX 300 X9	09	CK1190	CKF1190	CSK004	DRC044	DRCF044			CT013SP
XR 300 R10	10	TBC		TBC					
TRX 350	86-93	CK1196		CSK012	DRC006				CT013SP
TRX 350 FMY/1-5 Fourtrax Rancher/4 x 4	00-05	CK1196		CSK048	DRC126				CT013SP
TRX 350 TE/FE Fourtrax Rancher ES/ES 4 x 4 FEY/1-5	00-05	CK1160		CSK048	DRC127				CT013SP
CB 350 SG/SJ	86-88	CK1140		CSK015					CT013SP
XR 350 RD/RE	83-84	CK1190	CKF1190	CSK004	DRC044	DRCF044			CT013SP
SL 350 KO/K1/K2	69-73	CK1134		CSK082					
CB 400 F/F1/F2	75-79	CK1140		CSK082					CT013SP
CB 400 T	78-82	CK1140		CSK047					CT013SP
CB-1 CB 400 F	89-90	CK1228		CSK006					CT009SP
CB 400 SF Super Four NC31	92-95	CK1228		CSK006					CT009SP
CB 400 SF F2V/F3T Super Four NC31	96-97	CK1228		CSK006					CT009SP
CB 400 SF F3V Superfour NC31	97	CK1228		CSK006					CT009SP
CB 400 Four NC36	97-98	CK1228		TBC					CT009SP
CB 400 NC39 Super Four	99-05	CK1265		TBC					CT009SP
CB 400 SS SS2-NC41	01-05	CK1181		CSK032					CT013
CBR 400 R NC23	86	CK1228		TBC					CT009SP
CBR 400 RR NC23	92-93	CK1228		CSK006					CT009SP
CBR 400 RR NC29	90-94	CK1181		CSK033			SRC049	SRK049	CT013SP
CL 400 NC38	97-03	CK1181		CSK032					CT013
FL 400 R Pilot	89-93	CK1234		TBC					
NS 400 RF/RG	85-87	CK1218	CKF1218	CSK167					CT013
NV 400 C/J/CK Steed	92-93	CK1160		CSK028			SRC061	SRK061	CT013SP
NV 400 CS/CV Steed	95-97	CK1160		CSK028			SRC061	SRK061	CT013SP
NV 400 NC40 Shadow Slasher	00-02	CK1160		CSK028			SRC061	SRK061	CT013SP
TRX 400	95-00	CK1196		CSK023	DRC006				CT013SP
TRX 400 EX	99-08	CK1193	CKF1193	CSK073	DRC100	DRCF100			CT013

CLUTCH APPLICATIONS

EBC CLUTCH KITS

MAKE & MODEL	MODEL YEAR	CK Series #	CKF Series #	Spring Kit #	DRC Series #	DRCF Series #	SRC Series #	SRK Series #	CT Tool #
HONDA Contd.									
TRX 400 X9	09	CK1193	CKF1193	CSK073	DRC100	DRCF100			CT013
RVF 400 RR NC35	94-96	CK1289							CT002
VF 400 FD	83-85	CK1165		CSK009					CT002
VFR 400 R NC30	89-92	CK1250		CSK904			SRC063	SRK063	CT002
VFR 400 NC21	85-86	CK1177		CSK006					CT002
VFR 400 R NC24	87-88	CK1177		CSK009					CT002
XL 400 R	82								
XR 400 RT	96	CK1193	CKF1193	CSK028	DRC093				CT013
XR 400 R	97-05	CK1193	CKF1193	CSK033	DRC106				CT013
VRX 400 T NC33	96	CK1160		CSK033					CT013SP
XR 400 R Motard NC38E	05-06	CK1181		CSK178	DRC266				CT013
XR 400 M Supermotard ND08/NC38E	06-08	CK1181		CSK178	DRC266				CT013
TRX 420 TM	07-11	CK1154		CSK154	DRC239				CT013SP
TRX 420 FE 4WD Fourtrax ES	07-11	CK1196		CSK155	DRC238				CT013SP
TRX 420 FM 4WD Fourtrax	07-11	CK1154		CSK154	DRC239				CT013SP
TRX 420 FP Fourtrax 4WD - Power Steering	09-11	CK1154		CSK154	DRC239				CT013SP
TRX 420 TE7/TE8/TE9 Fourtrax ES 2WD	07-09	CK1196		CSK155	DRC238				CT013SP
CB 450 DX-K	89	CK1140		CSK047					CT013SP
CR 450 RB	81	CK1131		CSK041					CT009
CRF 450 R2/R3	02-03	CK1247	CKF1247	CSK178	DRC112				CT009
CRF 450 R4/R5 6 Spring Type	04-05	CK1247	CKF1247	CSK120	DRC148	DRCF148			CT009
CRF 450 R6/R7/R8 6 Spring Type	06-08	CK1247	CKF1247	CSK178	DRC112				CT009
CRF 450 R9/RA 4 Spring type	09-10	CK1247	CKF1247	CSK157	DRC244	DRCF244			CT009
CRF 450 RB/RC	11-12	CK3433	CKF3433	CSK174	DRC259	DRCF259			CT009
CRF 450 R	13	CK3433	CKF3433	CSK201	DRC276	DRCF276			CT009
CRF 450 RD/RE/RF/RG 6 Spring Type	14-16	CK3433	CKF3433	CSK227	DRC301	DRCF301			CT009
CRF 450 R	22-24	TBC	TBC	TBC	TBC	TBC			
CRF 450 R-S	22-24	TBC	TBC	TBC	TBC	TBC			
CRF 450 R AC 6 Spring Type	17-20	CK1317	CKF1317	CSK227	DRC299	DRCF299			CT092
CRF 450 RE Limited Road Use	16	CK3433	CKF3433	CSK201	DRC276	DRCF276			CT009
CRF 450 X	05-17	CK1247	CKF1247	CSK120	DRC148	DRCF148			CT009
CRF 450 XRL Road Legal	14-16	CK1247	CKF1247	CSK120	DRC148	DRCF148			CT009
CRF 450 X AC 18 inch rear wheel	18-21	CK1317	CKF1317	CSK227	DRC299	DRCF299			CT092
CRF 450 L AC 18inch rear wheel	18-21	CK1317	CKF1317	CSK227	DRC299	DRCF299			CT092
CRF 450 RX AC 18 Inch Rear Wheel	17-21	CK1317	CKF1317	CSK227	DRC299	DRCF299			CT092
CMX 450 CH/CJ Rebel	02	CK1140		CSK015					CT013SP
TRX 450 ESW/ESX/ESY/ES1	98-01	CK1196		CSK023	DRC006				CT013SP
TRX 450 R	04-09	CK1302	CKF1302	CSK178	DRC131	DRCF131			CT009
CR 480 RC	82	CK1131		CSK024					CT009
CR 480 RD	83	CK1170	CKF1170	CSK028	DRC003				CT009
CB 500 K1/K2 Four	75-77	CK1135		CSK003					CT009
CB 500 K3 Four	78	CK1146		CSK009					CT009SP
CB 500 T Twin	75-77	CK1130		CSK015					CT031
CB 500 Twin	94-03	CK1181		CSK033					CT013SP
CB 500 F	13-21	CK1323		CSK033					CT082SP
CB 500 FA ABS	13-21	CK1323		CSK033					CT082SP
CB 500 X	13-21	CK1323		CSK033					CT082SP
CB 500 XA ABS	13-21	CK1323		CSK033					CT082SP
CBF 500	04-07	CK1181		CSK033					CT013SP
CBR 500	87-90	CK1228		CSK012			SRC016	SRK016	CT009SP
CBR 500 R	13-21	CK1323		CSK033					
CBR 500 RA ABS	13-21	CK1323		CSK033					
CR 500 R	84-89	CK1170	CKF1170	CSK028	DRC003				CT009
CR 500 R	90-01	CK1247	CKF1247	CSK028	DRC075				CT009
CX 500 CA/CB/CZ/A/B/EC	79-85	CK1146		CSK041					CT009SP
CX 500 Turbo	82	CK1159		CSK010					CT053SP
FT 500 C	82	CK1154		CSK248					CT013SP
GL 500 DC	82	CK1146		CSK041					CT009SP
NX 500 Dominator	88-99	CK1170	CKF1170	CSK016	DRC054	DRCF054			CT009
TRX 500 FE Fourtrax Foreman 4WD/ES	05-11	CK1154		CSK117	DRC236				CT013SP
TRX 500 FEC Fourtrax Foreman ES 2 / 4 WD	12	CK1154		CSK029	DRC270				CT013SP
TRX 500 FM Fourtrax Foreman 4 x 4	05-11	CK1154		CSK153	DRC237				CT013SP
TRX 500 FMC Fourtrax Foreman S 2 / 4 WD	12	CK1154		CSK079	DRC271				CT013SP
TRX 500 Fourtrax Foreman	05-06	CK1154		CSK153	DRC237				CT013SP
TRX 500 FP Fourtrax Foreman 4 x 4 ES/EPS	08-11	CK1154		CSK117	DRC236				CT013SP
TRX 500 FPEC Fourtrax Foreman S	12	CK1154		CSK029	DRC270				CT013SP
VF 500 F	84-85	CK1177		CSK009					CT002
VT 500 ED/EF	83-85	CK1160							CT013SP
XBR 500 F/G/H/SH/SJ	85-89	CK1219		CSK016					CT009
XL 500 SZ/SB/RC	80-82	CK1140		CSK248					CT013SP
XR 500 SZ/SA/RB/RC	79-82	CK1154		CSK248					CT013SP
XR 500 RD/RE	84-85	CK1170	CKF1170	CSK248					CT009
CB 550 F/F1/F2/K3	78-80	CK1146		CSK009					CT009SP
CBX 550 FC/F2C/FD/F2D	82-85	CK1228		CSK026			SRC048	SRK048	CT009SP
CB 600 Hornet	98-06	CK1206	CKF1206	CSK045			SRC019	SRK019	CT014SP
CB 600 F Hornet	07-13	CK1218	CKF1218	CSK101			SRC075	SRK075	CT014

CLUTCH APPLICATIONS

EBC CLUTCH KITS

MAKE & MODEL	MODEL YEAR	CK Series #	CKF Series #	Spring Kit #	DRC Series #	DRCF Series #	SRC Series #	SRK Series #	CT Tool #
HONDA Contd.									
CB 600 F Hornet ABS	07-13	CK1218	CKF1218	CSK101			SRC075	SRK075	CT014
CBF 600 N4/N5/N6	04-06	CK1206	CKF1206	CSK045			SRC019	SRK019	CT014SP
CBF 600 N8/N9/NA	08-11	CK1218	CKF1218	CSK101			SRC075	SRK075	CT014
CBF 600 NA4/NA5/NA6	04-06	CK1206	CKF1206	CSK045			SRC019	SRK019	CT014SP
CBF 600 NA8/NA9/NAA	08-11	CK1218	CKF1218	CSK101			SRC075	SRK075	CT014
CBF 600 S4/S5/S6	04-06	CK1206	CKF1206	CSK045			SRC019	SRK019	CT014SP
CBF 600 S8/S9	08-09	CK1218	CKF1218	CSK101			SRC075	SRK075	CT014
CBF 600 SA4/SA5/SA6	04-06	CK1206	CKF1206	CSK045			SRC019	SRK019	CT014SP
CBF 600 SA8/SA9/SAA	08-12	CK1218	CKF1218	CSK101			SRC075	SRK075	CT014
CBR 600 FH/FJ	87-88	CK1228		CSK012			SRC016	SRK016	CT009SP
CBR 600 FK/FL	89-90	CK1228		CSK047			SRC042	SRK042	CT009SP
CBR 600 FM/FN/FP/FR/FS/FT/FV/FW	91-98	CK1206	CKF1206	CSK045			SRC019	SRK019	CT014SP
CBR 600 FX/FY CARB MODEL	99-00	CK1193	CKF1193	CSK029			SRC066	SRK066	CT014
CBR 600 F CARB MODEL	01-06	CK1218	CKF1218	CSK178			SRC143	SRK143	CT014
CBR 600 FR Fuel injected	01-02	CK1218	CKF1218	CSK178			SRC143	SRK143	CT014
CBR 600 FS1/FS2 CBR600 S Fuel injected	01-02	CK1218	CKF1218	CSK178			SRC143	SRK143	CT014
CBR 600 FB/FC	11-12	CK1218	CKF1218	TBC			SRC057	SRK057	CT014
CBR 600 FAB/FAC	11-12	CK1218	CKF1218	TBC			SRC057	SRK057	CT014
CBR 600 RR	03-21	CK1218	CKF1218	CSK101			SRC075	SRK075	CT014
CBR 600 RR Hannspree	08	CK1218	CKF1218	CSK101			SRC075	SRK075	CT014
CBR 600 RA	09-19	CK1218	CKF1218	CSK101			SRC075	SRK075	CT014
NTV 600 J/K/M	88-91	CK1230		CSK032					CT013SP
VT 600 C	92-00	CK1181		CSK033					CT013SP
XL 600 R	83-87	CK1170	CKF1170	CSK016	DRC092				CT009
XL 600 LM	85-87	CK1170	CKF1170	CSK016	DRC054	DRCF054			CT009
XL 600 Transalp	87-99	CK1181		CSK033	DRC053				CT013SP
XR 600 R	84-00	CK1170	CKF1170	CSK016	DRC054	DRCF054			CT009
FMX 650 5 / 6	05-08	CK1170	CKF1170	CSK016	DRC054	DRCF054			CT009
FX 650 X/Y Vigor	99-03	CK1170	CKF1170	CSK016	DRC054	DRCF054			CT009
NT 650 J/K/L Bros	88-92	CK1230		CSK028			SRC064	SRK064	CT013SP
NTV 650	88-97	CK1230		CSK033			SRC062	SRK062	CT013SP
NT 650 Deauville	98-05	CK1230		CSK033			SRC062	SRK062	CT013SP
NX 650	88-02	CK1170	CKF1170	CSK016	DRC054	DRCF054			CT009
CB 650 F	14-21	CK1181		CSK246			SRC149	SRK149	CT014
CB 650 FA ABS	14-21	CK1181		CSK246			SRC149	SRK149	CT014
CB 650 R	19-24	TBC							
CB 650 Z/B/SCC	79-82	CK1147		CSK009					
CBR 650 F	14-17	CK1181		CSK246			SRC149	SRK149	CT014
CBR 650 FA ABS	14-17	CK1181		CSK246			SRC149	SRK149	CT014
CBR 650 R AK	19-22	TBC							
CX 650 ED	83-85	CK1147		CSK012					
CX 650 TD Turbo	83	CK1159		CSK010					CT053SP
GL 650 D2-E	84	CK1147		CSK012					
SLR 650 V/W	97-98	CK1170	CKF1170	CSK016	DRC054	DRCF054			CT009
XL 650	00-07	CK1230		CSK028					CT013SP
XR 650 L	93-12	CK1170	CKF1170	CSK016	DRC054	DRCF054			CT009
XR 650 RY/R1-R7	00-07	CK1295		CSK045	DRC179				CT009
XRV 650 J/K Africa Twin	88-89	CK1230		CSK028			SRC064	SRK064	CT013SP
NC 700 SC/SD	12-13	CK1230		CSK033			SRC062	SRK062	CT013SP
NC 700 XC/XD	12-17	CK1230		CSK033			SRC062	SRK062	CT013SP
NT 700 Deauville	06-13	CK1230		CSK033			SRC062	SRK062	CT013SP
TRX 700 Xx8/XX9/XXB	08-11	CK1302	CKF1302	CSK178	DRC240	DRCF240			CT009
XL 700 V Transalp	08-11	CK1230		CSK009					CT013SP
XL 700 V Transalp	08-11	CK1230		CSK009					CT013SP
CB 750/CB 750 K1	69-70	CK1223		CSK009					
CB 750 K1 From E.No:-1056080	70-71	CK1133		CSK009					CT076SP
CB 750 K2/K3/K4/K5	71-75	CK1133		CSK004					CT076SP
CB 750 KZ	80	CK1149		CSK041					CT078SP
CB 750 F/F1	76-77	CK1220		CSK082					
CB 750 K6/K7/F2	76-78	CK1145		CSK082					CT076SP
CB 750 FA/FB/F2C	79-82	CK1149		CSK041					CT078SP
CB 750 F2	92-02	CK1265		CSK006					CT009SP
CBR 750 FH/FJ Superaero	87-88	CK1287		CSK027					
CBX 750 FE	84-85	CK1166							CT031
NC 750 S	14-15	CK1230		CSK033			SRC062	SRK062	CT013SP
NC 750 S ABS	14-18	CK1230		CSK033			SRC062	SRK062	CT013SP
NC 750 X	14-15	CK1230		CSK033			SRC062	SRK062	CT013SP
NC 750 X ABS	14-19	CK1230		CSK033			SRC062	SRK062	CT013SP
NR 750 N	92	CK1257							
VF 750 FD/FE	83-85	CK1167		CSK900			SRC002	SRK002	CT031
VF 750 SC V45 Sabre	82	CK1166		CSK077					CT031
VF 750 CH	87	CK1166		CSK077					CT031
VF 750 CP/CR/CS/CT/CV	93-97	CK1206	CKF1206	CSK028					CT014
VFR 750 F	86-97	CK1206	CKF1206	CSK028			SRC003	SRK003	CT014
VFR 750 R RC30	88-92	CK1229		CSK901			SRC005	SRK005	CT014
VT 750 C Shadow	83	CK1166							CT031

CLUTCH APPLICATIONS

EBC CLUTCH KITS

MAKE & MODEL	MODEL YEAR	CK Series #	CKF Series #	Spring Kit #	DRC Series #	DRCF Series #	SRC Series #	SRK Series #	CT Tool #
HONDA Contd.									
VT 750 C	97-09	CK1230		CSK028			SRC064	SRK064	CT013SP
VT 750 C Shadow Black Spirit	10-15	CK1230		TBC					CT013SP
VT 750 C2 Shadow	10-12	CK1230		TBC					CT013SP
VT 750 DC1/DC2 Black Widow	01-04	CK1230		CSK028					CT013SP
VT 750 DC7/DC8 Shadow Spirit	07-09	CK1230		CSK028					CT013SP
VT 750 S VT 750 SA/SB	10-12	CK1230		CSK028			SRC064	SRK064	CT013SP
RVF 750 RR-R/RR-S	94-98	CK1257							
XLV 750 R RD/RF	83-88	CK1166		CSK077					CT031
XRV 750	90-03	CK1167		CSK006					CT009
PC 800 Pacific Coast	89-97	CK1167		CSK030					CT009
VFR 800 Fi-W/Fi-X	98-99	CK1206	CKF1206	CSK135					CT014
VFR 800 Fi-Y/Fi-1	00-01	CK1253		CSK101					CT014
VFR 800	02-09	CK1218	CKF1218	CSK101					CT014
VFR 800 A	02-13	CK1218	CKF1218	CSK101					CT014
VFR 800 F	14-16	CK1218	CKF1218	CSK101			SRC075	SRK075	CT014
VFR 800 XA Crossrunner	11-13	CK1218	CKF1218	CSK101			SRC075	SRK075	CT014
VFR 800 XA Crossrunner	15-16	CK1218	CKF1218	CSK101			SRC075	SRK075	CT014
VFR 800 XC Crossrunner	12-14	TBC		TBC					
VFR 800 X Crossrunner	15	TBC		TBC					
CB 900 F	80-85	CK1149		CSK167					CT078SP
CB 900 F Hornet	02-07	CK1218	CKF1218	CSK045			SRC057	SRK057	CT014
CBR 900 RR 893cc	92-95	CK1206	CKF1206	CSK028			SRC094	SRK094	CT014
CBR 900 RRT/RRV 918cc	96-97	CK1284		CSK247			SRC055	SRK055	CT014
CBR 900 RRW/RRX 918cc	98-99	CK1218	CKF1218	CSK045			SRC057	SRK057	CT014
CBR 900 RRY/RR1 929cc Fireblade	00-01	CK1206	CKF1206	CSK045			SRC019	SRK100	CT014
CBR 900 RR2/RR3 954cc Fireblade	02-03	CK1206	CKF1206	CSK045			SRC019	SRK100	CT014
CB 1000 F	93-97	CK1248	CKF1248	CSK029			SRC004	SRK004	CT009
CB 1000 R	09-15	CK1303		CSK112			SRC080	SRK080	CT009
CB 1000 RA	09-16	CK1303		CSK112			SRC080	SRK080	CT009
CBF 1000 All Models	06-16	CK1303		CSK090					CT009
CBR 1000 F	87-99	CK1248	CKF1248	CSK029			SRC004	SRK004	CT009
CBR 1000 RR Fireblade Coil Spring	04-07	CK1303		CSK112			SRC080	SRK080	CT009
CBR 1000 RR Fireblade Diaphragm Spring	08-16	CK1312	CKF1312	CSK905			SRC095	SRK095	CT043SP
CBR 1000 RR Fireblade	17-19	TBC		TBC			TBC	TBC	
CBR 1000 RR Fireblade	20-24	TBC		TBC			TBC	TBC	
CBR 1000 RR-SP ABS Fireblade	14-16	CK1312	CKF1312	CSK905			SRC095	SRK095	CT043SP
CBR 1000 RR-SP ABS -TT Edition	16	CK1312	CKF1312	CSK905			SRC095	SRK095	CT043SP
CBX 1000 Z	79	CK1183		CSK167					CT066SP
CBX 1000 B/C	80-81	CK1183		CSK010					CT066SP
CRF 1000 LAG	16-20	CK1319	CKF1319	CSK254	DRC306	DRCF306			CT009
CRF 1000 L	16	CK1319	CKF1319	CSK254	DRC306	DRCF306			CT009
GL 1000 K1 Up to E.No: -2002383	77	CK1221		CSK010					
GL 1000 K1/K2 From E.No: -2002384	77-78	CK1143		CSK010					CT076SP
RC 213 V-S 1000cc	15	TBC		TBC					
VF 1000 F	84-86	CK1176							CT031
VTR 1000 F Firestorm	97-06	CK1290		CSK206			SRC060	SRK060	CT009
VTR 1000 SPY/SP1 SC45	00-01	CK1291		CSK043					CT021
VTR 1000 SP-2/SP-3/SP-4/SP-5/SP-6	02-07	CK1300		CSK043					
XL 1000 Varadero 10 Plate Kit	99-02	CK1290		CSK206	DRC267				CT009
XL 1000 Varadero 8 Plate Kit	03-11	CK1257		CSK138	DRC268				CT009
XL 1000 Varadero 8 Plate Kit	06-11	CK1257		CSK138	DRC268				CT009
CB 1100 RB2/RC2	80-81	CK1149		CSK009					CT078SP
CB 1100 RD2	82	CK1149		CSK207					CT078SP
CB 1100 SFY/SF1 X11	00-03	CK1291		CSK043					CT021
CB 1100 AD	13	CK1257		CSK070					CT009
CB 1100 AE	14	CK1257		CSK070					CT009
CB 1100 EX	14-16	CK1257		CSK070					
CB 1100 EX	16-21	CK1332		CSK259			SRC161	SRK161	
CBR 1100 XX Blackbird	97-98	CK1286		CSK070					CT021
CBR 1100 XX Blackbird	99-08	CK1291		CSK043					CT021
CRF 1100	19-21	CK1319	CKF1319	CSK254	DRC306	DRCF306			CT009
CRF 1100	22-24	TBC	TBC	TBC	TBC	TBC			
GL 1100 SC02	80-81	CK1159		CSK010					
ST 1100 Pan European	90-02	CK1264		CSK033			SRC070	SRK070	CT056SP
ST 1100 Pan European	92-95	CK1264		CSK033			SRC070	SRK070	CT056SP
ST 1100 Pan European	96-02	CK1264		CSK033			SRC070	SRK070	CT056SP
VT 1100 C Shadow	87-93	CK1239							CT031
VT 1100 CR/CS/CT/CV/CW Shadow	94-98	CK1239							CT032
VT 1100 C	95-97	CK1176		TBC					CT009
VT 1100 C2	98-05	CK1176		TBC					CT009
VT 1100 C3	98-00	CK1176		TBC					CT031
GL 1200 AE/DE/AF	84-85	CK1210							CT053SP
GL 1200	86-87	CK1224							
VFR 1200 FA	10-15	CK1312	CKF1312	CSK907			SRC103	SRK103	CT043SP
VFR 1200 XA Crosstourer	12-15								
CB 1300 F	98-01	CK1299		TBC					CT009

CLUTCH APPLICATIONS

EBC CLUTCH KITS

MAKE & MODEL	MODEL YEAR	CK Series #	CKF Series #	Spring Kit #	DRC Series #	DRCF Series #	SRC Series #	SRK Series #	CT Tool #
HONDA Contd.									
CB 1300 DC SC38	97-00	CK1290		CSK070					CT009
CB 1300 F3/F13	03-04	CK1257		CSK113					CT009
CB 1300 Superfour	05-09	CK1257		CSK113					CT009
CB 1300 Superfour	05-08	CK1257		CSK113					CT009
CB 1300 SA Super Bol-Dor	05-08	CK1257		CSK113					CT009
CTX 1300 AE	14-15	TBC		TBC					
ST 1300 Pan European	02-09	CK1297		CSK175					CT021
ST 1300 Pan European	02-15	CK1297		CSK175					CT021
VT 1300 CTA Interstate	11-13	CK1298		CSK090					
VT 1300 CXA Fury	10-12	CK1298		CSK090					CT021
VT 1300 CXAA Fury	10-11	CK1298		CSK090					CT021
VTX 1300 S	03-08	CK1298		CSK090					CT021
GL 1500 Goldwing	88-96	CK1285							CT068SP
GL 1500 F6C	97-03	CK1285							CT068SP
GL 1500 Goldwing	97-00	CK1285							CT068SP
F6B Goldwing Bagger GLF6BAE	13-15	TBC							
F6C Goldwing GLF6CAE	14-15	TBC							
GL 1800 A1-A5 Goldwing	01-05	CK1297							CT073
GL 1800 5-9/A Goldwing	06-15	CK1297							CT073
VTX 1800 C	02-08	CK1298		CSK090					CT021
HONDA-DALLARA									
XR 125 SM	04	CK1119		CSK004					CT012SP
XR 250 R	04	CK1190	CKF1190	CSK065	DRC084				CT013SP
XR 250 RM	04	CK1190	CKF1190	CSK065	DRC084				CT013SP
XR 400/440 R	04	CK1193	CKF1193	CSK033	DRC106				CT013
XR 400/440 SM	04	CK1193	CKF1193	CSK033	DRC106				CT013
XR 650 R	04	CK1295		CSK045					CT009
KAWASAKI									
AE 50 A	81-84	CK4442		CSK018					
AR 50 A1/C2-C10	81-97	CK4442		CSK018					
KDX 50 A1/A2/A3/A6F	03-06	CK3366							
KSRI KMX 50 B1/B2	90-91	CK4442		CSK044					
KX 60 A1/A2/B1-B19	83-03	CK4438	CKF4438	CSK018	DRC007				CT070SP
KX 65	00-24	CK4438	CKF4438	CSK040	DRC098	DRCF098			CT070SP
AE 80 A1/B1	81-83	CK4440		CSK018					
AR 80 A1/C1-C8	81-91	CK4440		CSK018					
KSRII KMX 80 B1/B2	90-91	CK4440		CSK044					
KX 80 E1/E2	83-84	CK4438	CKF4438	CSK040					CT070SP
KX 80 E3/G1/G2/J1/J2	85-87	CK4468		CSK034	DRC008				CT070SP
KX 80 L1	88	CK4477		CSK035	DRC009				
KX 80 L2/L3/R1-R7	89-97	CK4478		CSK035	DRC010				
KX 80 W1/W2/W3	98-00	CK4453	CKF4453	CSK041	DRC045	DRCF045			CT002
KX 85 All Models	01-24	CK4453	CKF4453	CSK041	DRC045	DRCF045			CT002
KC 100 C1-C4	81-83	CK4440		CSK019					
KE 100 A8-A10	79-81	CK4440		CSK019					
KE 100 B1-B15	82-98	CK4440		CSK040					
KH 100 A2-A4/G2-G8	78-87	CK4440		CSK019					
KM 100 A4/A6	79-80	CK4440		CSK019					
KX 100 N1	88	CK4477		CSK035	DRC009				
KX 100 A1/A2/B1-B7	89-97	CK4478		CSK035	DRC010				
KX 100 C1/C2/C3	98-00	CK4453	CKF4453	CSK041	DRC045	DRCF045			CT002
KLF 110 B1/B2	87-88	CK4463							
KLX 110	02-20	CK4438	CKF4438	CSK040	DRC098	DRCF098			CT070SP
AR 125	83-94	CK4453	CKF4453	CSK041					CT002
BN 125 Eliminator	98-07	CK4511		CSK041					
KDX 125 A1/A2/B1/B2	90-94	CK4489		CSK001					CT042
KE 125 A7-A12	80-85	CK4411		CSK001					CT058
KH 125 A1-A4	77-81	CK4411		CSK001					CT058
KH 125 K1	82	CK4440		CSK040					
KH 125 K2-K10	82-98	CK4438	CKF4438	CSK040					CT070SP
KH 125-L1 KH 125 EX	83	CK4438	CKF4438	CSK040					CT070SP
KLX 125	03-06	CK3318	CKF3318	CSK034					CT011
KLX 125 L	03-06	CK3318	CKF3318	CSK034					CT011
KLX 125	10-20	CK4522		CSK142	DRC211				CT012SP
KLX 125 D-Tracker	10-14	CK4522		CSK142	DRC211				CT012SP
KMX 125 A1/A2	86-87	CK4453	CKF4453	CSK031					CT002
KMX 125 A3/A4/A5	88-89	CK4486		CSK031					
KMX 125-MX 125 AE-013436	86-87	CK4453	CKF4453	CSK031					CT002
KMX 125-MX AE 013437	87-03	CK4486		CSK031					CT002
KX 125 B1	82	CK4436		CSK001					CT058
KX 125 B2	83	CK4457		CSK036					CT058
KX 125 C1	84	CK4457		CSK001					CT058
KX 125 D1/E1/E2	85-87	CK4469		CSK001	DRC011				CT042
KX 125 F1/G1	88-89	CK4482		CSK006	DRC013				CT042

EBC CLUTCH KITS

MAKE & MODEL	MODEL YEAR	CK Series #	CKF Series #	Spring Kit #	DRC Series #	DRCF Series #	SRC Series #	SRK Series #	CT Tool #
KAWASAKI Contd.									
KX 125 H1/H2	90-91	CK4485		CSK116	DRC036				CT042
KX 125 J1	92	CK4485		CSK116	DRC083				CT042
KX 125 J2	93	CK4498		CSK116	DRC069				CT042
KX 125 K1/K2/K3	94-96	CK4425		CSK007					CT004
KX 125 K4/K5/L1-L4	97-02	CK4425		CSK065	DRC073				CT004
KX 125	03-08	CK4425		CSK097	DRC122				CT004
Z 125 Pro	16-20	CK4438		CSK040	DRC098	DRCF098			CT070SP
KLX 150 L EFF	14-15	CK4522		CSK124	DRC211				CT012SP
KLX 150 D-Tracker HGF	16	CK4522		CSK124	DRC211				CT012SP
KDX 175 A1-A3	80-82	CK4436		CSK001					CT058
KE 175 B1/B2/B3	76-78	CK4411		CSK039					CT058
KE 175 D2-D5	79-83	CK4411		CSK039					CT058
KLF 185 A3	87	CK1119		CSK003					CT012SP
KDX 200 A1/A2	83-84	CK4457		CSK152					CT058
KDX 200 A3	85	CK4457		CSK001					CT058
KDX 200 C1/C2	86-87	CK4469		CSK001	DRC074				CT042
KDX 200 C3	88	CK4469		CSK001	DRC011				CT042
KDX 200	89-94	CK4482		CSK010	DRC061				CT042
KDX 200 H	95-99	CK4505		CSK116	DRC062				
KMX 200 A2/A3	88-92	CK4486		CSK009					CT002
Z 200 A1 Up to E.No:-005062	77	CK4446		CSK148					CT004
Z 200 A1 From E.No:-005063	78	CK4425		CSK148					CT004
Z 200 A2-A6	79-83	CK4425		CSK148					CT004
KDX 220 R A4-A12/A6F	97-06	CK4505		CSK116	DRC062				
KLF 220 A1-A15	88-02	CK1180		CSK116	DRC224				CT013SP
KLX 230	20	CK4514	CKF4514	CSK097	DRC123	DRCF123			CT004
BJ 250 B1-B7A Estrella	92-99	CK4508		CSK004					
BJ 250 E1-EA Estrella-RS Custom	96-99	CK4508		CSK004					
BJ 250 C1-C7 Estrella-RS	95-01	CK4508		CSK004					
BJ 250 D1-D7 Estrella Custom	96-02	CK4508		CSK004					
BJ 250 F1/F2 250 TR	02-03	CK4508		CSK007					
EL 250 B1/B2/B3 Eliminator	87-89	CK4473		CSK004					CT016
ER 250 B1/B2/B3 Scorpion	83-88	CK4433		CSK007					CT006
EL 250 D1-D5	90-94	CK4473		CSK004					CT016
EL 252 EL 250 F2/F3/F5/F6	96-03	CK4473		CSK004					CT016
EX 250 K Ninja 250R	08-12	CK4521		CSK142					CT009
GPX 250 R ZX 250 F2/F3/F6-F9	88-95	CK4473		CSK004					CT016
GPZ 250 R EX 250 E	86	CK4473		CSK004					CT016
GPX 250 R II EX 250 G	88	CK4473		CSK004					CT016
KDX 250 B1	81	CK4439	CKF4439	CSK006					CT006
KDX 250 B2/B3	82-83	CK4433		CSK006					CT006
KDX 250 D1	91-93	CK4475		CSK030	DRC041				CT006
KDX 250 SR KDX 250 F1	91	CK4509		CSK030					
KH 250 B4/B5	79-80	CK4436		CSK001					CT058
KL 250 A1-A4/C1/C2	78-84	CK4425		CSK007					CT004
KL 250 H1 Super Sherpa	98	CK4469		CSK074					CT042
KLE 250 A2	95	TBC		TBC					
KLE 250 A3	97	TBC		TBC					
KLE 250 A5/A6	00-01	TBC		TBC					
KLF 250 Bayou 250	03-11	CK1180		CSK116	DRC224				CT013SP
KLR 250 D2-D22	84-05	CK4446		CSK148	DRC063				CT004
KLT 250 C1-C3	83-85	CK4425		CSK148					CT004
KLX 250 D1/D2	93-95	CK4469		CSK001					CT042
KLX 250 F1-F4 KLX 250 E	94-97	CK4469		CSK001					CT042
KLX 250 G1	94	CK4469		CSK001					CT042
KLX 250 J1-J6 D-Tracker	98-03	CK4469		CSK001					CT042
KLX 250 S H6F/H7F	06-07	CK4469		CSK144	DRC212				CT042
KLX 250	09-16	CK4469		CSK144	DRC212				CT042
KR 250 A1/A2	84-86	CK4517		CSK010					CT016
KR-1 KR 250 B2	89	CK4484		CSK010					CT016
KR-1S KR 250 C2/C3	90-92	CK4484		CSK010					CT016
KSF 250 KXF 250 Mojave	87-04	CK4425		CSK148	DRC225				CT004
KT 250 A/A2	75-76	CK4411		CSK001					CT058
KX 250	74	CK4419		CSK007					CT006
KX 250 A/A3/A4/A5	75-79	CK4419		CSK007					CT006
KX 250 A6/A7	80-81	CK4439	CKF4439	CSK007					CT006
KX 250 B1/C1	82-83	CK4465		CSK010					CT006
KX 250 C2	84	CK4465		CSK010					CT006
KX 250 D1/D2	85-86	CK4459		CSK010					CT006
KX 250 E1/F1/G1	87-89	CK4475		CSK007	DRC015				CT006
KX 250 H1	90	CK4475		CSK006	DRC017				CT006
KX 250 H2	91	CK4475		CSK030	DRC041				CT006
KX 250 2T	92-02	CK4435	CKF4435	CSK007	DRC046	DRCF046			CT016
KX 250 2T	03-08	CK4435	CKF4435	CSK007	DRC046	DRCF046			CT016
KX 250 F 4T	04-08	CK4514	CKF4514	CSK097	DRC123	DRCF123			CT004
KX 250 F 4T	09-20	CK4514	CKF4514	CSK097	DRC123	DRCF123			CT004

CLUTCH APPLICATIONS

EBC CLUTCH KITS

MAKE & MODEL	MODEL YEAR	CK Series #	CKF Series #	Spring Kit #	DRC Series #	DRCF Series #	SRC Series #	SRK Series #	CT Tool #
KAWASAKI Contd.									
KX-F 250 4T	21-24	CK4514	CKF4514	TBC	DRC336				
KXF 250 A1/A2	87-88	CK4475		CSK010					CT006
KXT 250 A1 Tecate	84	CK4433		CSK007					CT006
KXT 250 A2 Tecate	85	CK4465		CSK010					CT006
KXT 250 B1 Tecate	86	CK4459		CSK010	DRC038				CT006
KXT 250 B2 Tecate	87	CK4459		CSK010	DRC038				CT006
Z 250 A1-A3/B1/B2	79-81	CK4433		CSK006					CT006
Z 250 C1/C2/G1/G2	80-83	CK4425		CSK007					CT004
Z 250 SL BR 250 EFF	15	TBC		TBC					
Z 250 SL BR 250 FFF	15-16	TBC		TBC					
Ninja 250 SL BX AFF KRT Edition	15	TBC		TBC					
Ninja 250 SL BX	15-16	TBC		TBC					
Ninja 250 SL BX KRT ABS	15-16	TBC		TBC					
ZR 250 A1-A5 Balius	91-95	CK4508		CSK007					
ZR 250 B6 Balius-II	02	CK4508		CSK007					
ZZ-R 250 EX 250	90-03	CK4473		CSK004					CT016
ZXR 250	89-95	CK4508		CSK007					
ZXR 250 R	89-90	CK4509		CSK007					
EX 300 Ninja	13-16	CK4524		CSK203			SRC118	SRK118	CT009
KEF 300 Lakota Sport	01-02	CK4419		CSK151	DRC233				CT006
KLF 300	87-05	CK4419		CSK151	DRC233				CT006
KLX 300 A2	97	CK4469		CSK001					CT042
KLX 300 A3-A10/A6F	98-06	CK4469		CSK144					CT042
Versys-X 300 ABS	17-21	CK4524		CSK203			SRC118	SRK118	CT009
Z 300 ER AFF	15	CK4524		CSK203			SRC118	SRK118	CT009
Z 300 ER Ninja ABS	15-16	CK4524		CSK203			SRC118	SRK118	CT009
GPZ 305 A1/B2-B10	83-96	CK4433		CSK010					CT006
S2/S2A 350cc	72-73	CK4457		CSK192					CT058
FX 400 R ZX	86-88	CK4424	CKF4424	CSK023					CT016
GPZ 400 R ZX	85-87	CK4424	CKF4424	CSK023					CT016
GPZ 400 R ZX 400 F1	87	CK4424	CKF4424	CSK023					CT016
S3/S3A 400cc	74-75	CK4457		CSK192					CT058
KH 400 A3-A5	76-78	CK4457		CSK192					CT058
KLF 400 B1-B7	93-98	CK4439	CKF4439	CSK151	DRC234				CT006
KLX 400 R B	03-04	CK3433	CKF3433	CSK079	DRC105	DRCF105			CT006
KSF 400 KFX	03-04	CK3433	CKF3433	CSK079	DRC105	DRCF105			CT006
KSF 400 KFX A3/A6F	05-06	CK3447	CKF3447	CSK079	DRC137	DRCF137			CT006
Ninja 400	17-21	CK4530		TBC			SRC167	SRK167	
Z 400 B1/B2	78-80	CK4421		CSK010					
Z 400 G1	79	CK4421		CSK010					
Z 400 J1-J3	80-83	CK4424	CKF4424	CSK010			SRC011	SRK011	CT016
Z 400	17-21	CK4530		TBC			SRC167	SRK167	
ZL 400 A Eliminator	86-87	CK4424	CKF4424	CSK007			SRC022	SRK022	CT016
ZL 400 B Eliminator 400 SE	88	CK4424	CKF4424	CSK007			SRC022	SRK022	CT016
ZL 400 D1/D2	94-95	CK4424	CKF4424	CSK148					
ZR 400 F A1/B1	83-84	CK4424	CKF4424	CSK010			SRC011	SRK011	CT016
ZR 400 Xanthus	92-95	CK4446		CSK007					CT004
ZRX 400 ZR E1-E7	94-01	CK4424	CKF4424	TBC					CT016
ZR 400 Zephyr	97-01	CK4424	CKF4424	CSK010			SRC044	SRK044	CT016
ZX 400 C2 Z 400 F 11	85	CK4424	CKF4424	CSK010			SRC011	SRK011	CT016
ZXR 400 H1/H2	89	CK4446		CSK007					CT004
ZXR 400 ZX L	91-02	CK4446		CSK006			SRC021	SRK021	CT004
ZXR 400 R ZX M1-M4	91-94	CK4446		CSK006					CT004
ZX 400 J1/J2	89-90	CK4446		CSK007					CT004
ZZR 400 ZX K	90-92	CK4424	CKF4424	CSK007					CT016
ZZR 400 ZX N	93-99	CK4424	CKF4424	CSK043					CT016
Z 440 A2	80-81	CK4421		CSK004					
Z 440 C1/C2	80-81	CK4421		CSK004					
Z 440 D4-D6 Ltd	82-84	CK4421		CSK004					
Z 440 H1/H2	82-83	CK4421		CSK004					
KX 420 A1/A2	80-81	CK4439	CKF4439	CSK006					CT006
EN 450 A LTD	86-89	CK4424	CKF4424	CSK010			SRC011	SRK011	CT016
KFX 450 R KSF Quad	08-14	CK4519		CSK177	DRC185				CT006
KLX 450 R	08-15	CK1247	CKF1247	CSK180	DRC158	DRCF158			CT006
KX 450 F	06-11	CK1247	CKF1247	CSK180	DRC158	DRCF158			CT006
KX-F 450	12-20	CK1247	CKF1247	CSK029	DRC269	DRCF269			CT006
KX-F 450	21-24	CK4531		TBC	DRC337				TBC
EN 500	90-04	CK4424	CKF4424	CSK010			SRC011	SRK011	CT016
ER-5 ER 500	97-07	CK4424	CKF4424	CSK010			SRC011	SRK011	CT016
GPZ 500 S	87-02	CK4424	CKF4424	CSK010			SRC011	SRK011	CT016
GPZ 500 S EX 500 B1-B5	88-93	CK4424	CKF4424	CSK010			SRC011	SRK011	CT016
GPZ 500 S EX 500 E1-E10	94-04	CK4424	CKF4424	CSK010			SRC011	SRK011	CT016
H1 500 Mach III	69-70	CK4425		CSK194					CT004
H1-A 500 S Mach III	71	CK4425		CSK194					CT004
H1-B/C 500 Mach III	72	CK4425		CSK194					CT004
H1-D/E/F 500	73-75	CK4425		CSK194					CT004

CLUTCH APPLICATIONS

EBC CLUTCH KITS

MAKE & MODEL	MODEL YEAR	CK Series #	CKF Series #	Spring Kit #	DRC Series #	DRCF Series #	SRC Series #	SRK Series #	CT Tool #
KAWASAKI Contd.									
KH 500 A8	76	CK4425		CSK194					CT004
KX 500 A1/A2	83-84	CK4433		CSK010					CT006
KX 500 B1/B2	85-86	CK4459		CSK010	DRC038				
KX 500 C1/D1	87-88	CK4475		CSK010	DRC016				CT006
KX 500 E1-E16	89-04	CK4475		CSK010	DRC016				CT006
KLE 500 A	91-04	CK4424	CKF4424	CSK010	DRC064				CT016
KLE 500 B	05-07	CK4424	CKF4424	CSK010	DRC064				CT016
Z 500 A/B	79-81	CK4424	CKF4424	CSK010			SRC011	SRK011	CT016
GT 550 G1-G9	83-01	CK4424	CKF4424	CSK010			SRC011	SRK011	CT016
GPz 550	81-87	CK4424	CKF4424	CSK010			SRC011	SRK011	CT016
ZR 550 A	83-84	CK4424	CKF4424	CSK010			SRC011	SRK011	CT016
ZR 550 Zephyr	91-99	CK4424	CKF4424	CSK010			SRC044	SRK044	CT016
Z 550 Ltd	80-81	CK4424	CKF4424	CSK010			SRC011	SRK011	CT016
KLR 600 A	84	CK4424	CKF4424	CSK010			SRC011	SRK011	CT016
KLR 600 B	85-94	CK4424	CKF4424	CSK010			SRC011	SRK011	CT016
GPz 600 R A	85-89	CK4424	CKF4424	CSK010			SRC011	SRK011	CT016
GPX 600 R C	88-96	CK4424	CKF4424	CSK010			SRC044	SRK044	CT016
ZL 600 B1	95-97	CK4424	CKF4424	CSK023			SRC044	SRK044	CT016
ZZR 600 D	90-92	CK4424	CKF4424	CSK010			SRC022	SRK022	CT016
ZZR 600 E	93-05	CK4424	CKF4424	CSK043			SRC043	SRK043	CT016
ZZR 600 ZX E6F	06-07	CK4424	CKF4424	CSK043			SRC043	SRK043	CT016
ZX6 R	95-99	CK4503		CSK056			SRC038	SRK108	CT004
ZX6 R ZX J	00-01	CK4503		CSK056			SRC038	SRK038	CT004
ZX6 R ZX A1P 636cc	02	CK4503		CSK056			SRC038	SRK038	CT004
ZX6 R ZX B	03-04	CK4503		CSK056			SRC038	SRK038	CT004
ZX6 R ZX 636cc	05-06	CK4514	CKF4514	CSK117			SRC084	SRK084	CT004
ZX6 R 599cc	07-16	CK4514	CKF4514	CSK165			SRC101	SRK101	CT004
ZX6 R ZX 636cc	13-24	CK4514	CKF4514	CSK202					CT004
ZX6 R ZX KRT Edition - 636cc	16-17	CK4514	CKF4514	CSK202					CT004
ZX6 R 30th Anniversary Edition ZX-636cc	15	CK4514	CKF4514	CSK202					CT004
ZX6 RR ZX 600cc	03	CK4503		CSK099			SRC076	SRK076	CT004
ZX6 RR ZX M1 600cc	04	CK4514	CKF4514	CSK099			SRC083	SRK083	CT004
ZX6 RR ZX N 600cc	05-06	CK4514	CKF4514	CSK117				SRK107	CT004
650 Vulcan S EN	15-16	CK4424	CKF4424	CSK010			SRC022	SRK022	CT016
ER-6F EX	06-11	CK4424	CKF4424	CSK010			SRC022	SRK102	CT016
ER-6F ABS EX ABS	06-11	CK4424	CKF4424	CSK010			SRC022	SRK102	CT016
Ninja 650 EX	12-21	CK4527					SRC155	SRK155	
Ninja 650 EX ABS	12-24	CK4527					SRC155	SRK155	
ER-6N 650cc	06-11	CK4424	CKF4424	CSK010			SRC022	SRK102	CT016
ER-6N ABS 650cc	06-11	CK4424	CKF4424	CSK010			SRC022	SRK102	CT016
Z 650 ER	12-21	CK4527					SRC155	SRK155	
Z 650 ER ABS	12-24	CK4527					SRC155	SRK155	
KLE 650 Versys ABS	07-10	CK4424	CKF4424	CSK010			SRC022	SRK102	CT016
KLE 650 Versys	11-14	CK4424	CKF4424	CSK010					CT016
KLE 650 Versys	15-16	CK4424	CKF4424	CSK010					CT016
KLE 650 Versys ABS	15-21	CK4424	CKF4424	CSK010					CT016
KLR 650 A1-A3	87-89	CK4424	CKF4424	CSK007	DRC065				CT016
KLR 650 E	08-09	CK4435	CKF4435	CSK224	DRC168				CT016
KL 650 B Tengai	89-92	CK4424	CKF4424	CSK007	DRC065				CT016
KLX 650 C	93-97	CK4424	CKF4424	CSK007	DRC065				CT016
KLR 650 C	95-04	CK4435	CKF4435	CSK224	DRC168				CT016
W 650 EJ	99-05	CK4435	CKF4435	CSK010			SRC046	SRK046	CT016
Z 650 B/B2/B3	77-79	CK4413		CSK007					CT019
Z 650 Custom	77-79	CK4413		CSK010					CT019
Z 650 D2/D3	79-80	CK4413		CSK010					CT019
Z 650 F	80-83	CK4413		CSK010					CT019
Z 700 A1 Ltd	84	CK4413		CSK007					CT019
ZN 700 A Ltd	84-85	CK4413		CSK007					CT019
VN 700 A1 Vulcan	85	CK4435	CKF4435	CSK007			SRC053	SRK053	CT016
GPX 750 F	87-89	CK4435	CKF4435	CSK007			SRC053	SRK053	CT016
GPz 750 R1	82	CK4413		CSK010					CT019
GPz 750 A1-A5	83-87	CK4413		CSK010					CT019
GPz 750 R G2/G3	85-86	CK4435	CKF4435	CSK010					CT016
GT 750 P1-P5	82-90	CK4413		CSK007					CT019
GT 750 P7/P9	92-96	CK4493		CSK023					CT019
H2/H2-A Mach IV 750cc	72-73	CK4415		CSK023					CT004
H2-B/H2-C Mach IV 750cc	74-75	CK4523		CSK023					CT004
VN 750 A	86-94	CK4435	CKF4435	CSK007			SRC053	SRK053	CT016
Z 750 B1/B2	77-78	CK4435	CKF4435	CSK010			SRC046	SRK046	CT016
Z 750 D1	76	CK4435	CKF4435	CSK007			SRC053	SRK053	CT016
Z 750 N Spectre	82-83	CK4413		CSK007					CT019
Z 750 ZR J	04-06	CK4503		CSK217					CT004
ZR 750 C Zephyr	91-95	CK4493		CSK010					CT019
ZR 750 C/D Zephyr	95-98	CK4493		CSK038					CT019
ZR7 ZR F	99-04	CK4493		CSK117					CT019
ZR-7S ZR	01-04	CK4493		CSK117					CT019

EBC CLUTCH KITS

MAKE & MODEL	MODEL YEAR	CK Series #	CKF Series #	Spring Kit #	DRC Series #	DRCF Series #	SRC Series #	SRK Series #	CT Tool #
KAWASAKI Contd.									
Z 750	80-84	CK4413		CSK007					CT019
Z 750 Ltd	82	CK4435	CKF4435	CSK007			SRC053	SRK053	CT016
Z 750 S ZR K	05-07	CK4503		CSK217					CT004
Z 750 ZR L	07-08	CK4503		CSK217					CT004
Z 750 ZR L	09-10	CK4503		CSK209			SRC150	SRK150	CT004
Z 750 ABS ZR	07-08	CK4503		CSK217					CT004
Z 750 ABS ZR	09-10	CK4503		CSK209			SRC150	SRK150	CT004
Z 750 R ZR	11-12	CK4503		CSK209			SRC150	SRK150	CT004
Z 750 R Black Edition	12	CK4503		CSK209			SRC150	SRK150	CT004
Z 750 R ABS	11-12	CK4503		CSK209			SRC150	SRK150	CT004
GPZ 750-E Turbo EX	84-87	CK4443		CSK010					CT019
ZXR 750 H1/H2	89-90	CK4424	CKF4424	CSK023					CT016
ZXR 750 J/L/P	91-03	CK4435	CKF4435	CSK088			SRC024	SRK024	CT016
ZXR 750 R ZX	91-94	CK4435	CKF4435	CSK088			SRC024	SRK024	CT016
ZX7RR ZX N	96-99	CK4435	CKF4435	CSK038			SRC041	SRK041	CT016
VN 800	95-06	CK4435	CKF4435	CSK010			SRC046	SRK046	CT016
VN 800 Drifter	99-04	CK4435	CKF4435	CSK007			SRC053	SRK053	CT016
EJ 800 W	11-12	CK4435	CKF4435	CSK010			SRC046	SRK046	CT016
EJ 800 W 800 Cafe Style	11	CK4435	CKF4435	CSK010			SRC046	SRK046	CT016
EJ 800 ACFA W Special Edition	12	CK4435	CKF4435	CSK010			SRC046	SRK046	CT016
EJ 800 W	13-16	CK4435	CKF4435	CSK010			SRC046	SRK046	CT016
EJ 800 W Special Edition	13-16	CK4435	CKF4435	CSK010			SRC046	SRK046	CT016
Z 800	13-16	CK4503		CSK209			SRC150	SRK150	CT004
Z 800 ABS	13-16	CK4503		CSK209			SRC150	SRK150	CT004
Z 800 E	13-16	CK4503		CSK209			SRC150	SRK150	CT004
Z 800 E ABS	13-16	CK4503		CSK209			SRC150	SRK150	CT004
Z1/Z1A/Z1 B	74-76	CK4409		CSK010					CT019
Z 900 A4/A5	76-77	CK4409		CSK010					CT019
Z 900 ZR A	17-21	CK4510		CSK111				SRK159	CT004
Z 900 ZR B ABS	17-21	CK4510		CSK111				SRK159	CT004
Z 900 RS ZR	18-21	CK4510		CSK111				SRK159	CT004
Z 900 RS Café ZR E	18-21	CK4510		CSK111				SRK159	CT004
ZL 900 A1/A2 Eliminator	85-86	CK4434		CSK023			SRC020	SRK020	CT016
GPz 900 R	84-96	CK4435	CKF4435	CSK010			SRC046	SRK046	CT016
GPZ 900 R ZX	98	CK4435	CKF4435	CSK010			SRC046	SRK046	CT016
GPZ 900 R ZX	99-02	CK4435	CKF4435	CSK010			SRC046	SRK046	CT016
VN 900 Classic	06	CK4435	CKF4435	CSK010			SRC046	SRK046	CT016
VN 900 Vulcan Classic LT	07-21	CK4435	CKF4435	CSK010			SRC046	SRK046	CT016
VN 900 Classic Special Edition	11-21	CK4435	CKF4435	CSK010			SRC046	SRK046	CT016
VN 900 Custom	07-21	CK4435	CKF4435	CSK010			SRC046	SRK046	CT016
ZX9R ZX B	94-97	CK4435	CKF4435	CSK038			SRC041	SRK041	CT016
ZX9R ZX C	98-99	CK4510	CKF4510	CSK067			SRC059	SRK059	CT004
ZX9R ZX E	00-03	CK4510	CKF4510	CSK128			SRC089	SRK089	CT004
KLV 1000 LV	04-05	CK3443	CKF3443	CSK043					CT021
KLZ 1000 Versys	12-14	CK4510	CKF4510	TBC					CT004
KLZ 1000 Versys	15-19	CK4503		TBC					CT004
Z 1000 D Z1R	78-80	CK4409		CSK007					CT019
Z 1000 E ST-Shaft	79-80	CK4434		CSK023			SRC020	SRK020	CT016
Z 1000 A	77-80	CK4409		CSK010					CT019
Z 1000 H1	80	CK4409		CSK010					CT019
Z 1000 K Ltd	81-82	CK4434		CSK010			SRC054	SRK054	CT016
Z 1000 J1/J2/J3	81-83	CK4434		CSK010			SRC054	SRK054	CT016
Z 1000 R Lawson Replica	83	CK4434		CSK010			SRC054	SRK054	CT016
Z 1000 ZR	03-06	CK4510	CKF4510	CSK128			SRC089	SRK089	CT004
GPz 1000 RX	86-88	CK4434		CSK023			SRC020	SRK020	CT016
GTR 1000 ZG A	86-03	CK4434		CSK023			SRC020	SRK020	CT016
Ninja H2	15-21	CK4528		CSK269			SRC163	SRK163	
Ninja H2R	15-21	CK4529		CSK270			SRC164	SRK164	
Z 1000 ZR	07-08	CK4510	CKF4510	CSK110					CT004
Z 1000 ABS ZR	07-09	CK4510	CKF4510	CSK110					CT004
Z 1000 ZR	10-15	CK4510	CKF4510	CSK169					CT004
Z 1000 D 5 Spring Clutch	10-13	CK4510	CKF4510	CSK169					CT004
Z 1000 E 5 Spring Clutch	10-13	CK4510	CKF4510	CSK169					CT004
Z 1000 Black Edition ZR 1000	12-13	CK4510	CKF4510	CSK169					CT004
Z 1000 F 5 Spring Clutch	14-15	CK4510	CKF4510	CSK169					CT004
Z 1000 G 5 Spring Clutch	14-15	CK4510	CKF4510	CSK169					CT004
Z 1000 Special Edition	14	CK4510	CKF4510	CSK169					CT004
Z 1000 ZR 3 Spring Clutch	16	CK4503		TBC					CT004
Z 1000 ZR 3 Spring Clutch	16	CK4503		TBC					CT004
Z 1000 Performance	16-21	CK4510	CKF4510	CSK169					CT004
Z 1000 SX ZX	11-13	CK4510	CKF4510	CSK169					CT004
Z 1000 SX ZX ABS	11-13	CK4510	CKF4510	CSK169					CT004
Z 1000 SX ZX	14-15	CK4510	CKF4510	CSK169					CT004
Z 1000 SX ZX ABS	14-15	CK4510	CKF4510	CSK169					CT004
Z 1000 SX Tourer	11-21	CK4510	CKF4510	CSK169					CT004
Z 1000 SX ZX ABS 3 Spring Clutch	16	CK4503		TBC					CT004

CLUTCH APPLICATIONS

EBC CLUTCH KITS

MAKE & MODEL	MODEL YEAR	CK Series #	CKF Series #	Spring Kit #	DRC Series #	DRCF Series #	SRC Series #	SRK Series #	CT Tool #
KAWASAKI Contd.									
Z 1000 SX ZX 3 Spring Clutch	16	CK4503		TBC					CT004
ZX10 B	88-90	CK4434		CSK023			SRC020		CT016
ZX10R ZX C	04-05	CK4510	CKF4510	CSK111			SRC079	SRK079	CT004
ZX10R ZX D/E/F	06-10	CK4510	CKF4510	CSK111			SRC079	SRK079	CT004
ZX10RZX ABS	11-15	CK4510	CKF4510	CSK111			SRC079	SRK079	CT004
ZX10R ZX	11-15	CK4510	CKF4510	CSK111			SRC079	SRK079	CT004
ZX10R 30th Anniversary Edition	15	CK4510	CKF4510	CSK111			SRC079	SRK079	CT004
ZX10R 30th Anniversary Edition	15	CK4510	CKF4510	CSK111			SRC079	SRK079	CT004
ZX10R Winter Test Edition ZX	16	CK4510	CKF4510	CSK111			SRC079	SRK079	CT004
ZX10R Ninja KRT Replica ZX	16-19	CK4510	CKF4510	CSK111			SRC079	SRK079	CT004
ZX-10RR	17-19	CK4510	CKF4510	CSK111			SRC079	SRK079	CT004
ZX-10RR Performance	17-21	CK4510	CKF4510	CSK111			SRC079	SRK079	CT004
ZL 1000 A1	87	CK4434		CSK023			SRC020	SRK020	CT016
GPz 1100 B	81-82	CK4434		CSK010			SRC054	SRK054	CT016
GPz 1100 A	82-85	CK4434		CSK023			SRC020	SRK020	CT016
Z 1100 R1	84	CK4434		CSK023			SRC020	SRK020	CT016
Z 1100 A	81-83	CK4434		CSK023			SRC020	SRK020	CT016
Z 1100 D Spectre	82-83	CK4434		CSK023			SRC020	SRK020	CT016
ZR 1100 A/B	92-97	CK4434		CSK023			SRC020	SRK020	CT016
ZR 1100 RS Zephyr	02	CK4434		CSK023					CT016
ZRX 1100 ZX C	97-00	CK4434		CSK023			SRC020	SRK020	CT016
ZZ-R 1100 C/D	90-01	CK4488		CSK029			SRC025	SRK025	CT021
ZX 1100 E/F	95-98	CK4488		CSK029			SRC025	SRK025	CT021
ZRX 1200 R A	01-08	CK4434		CSK038					CT016
ZRX 1200 S B ZR	01-03	CK4434		CSK038					CT016
ZX12R ZX	00	CK4513		CSK109					CT009
ZX12R ZX A/B	01-06	CK4515		CSK067					CT009
ZZR 1200 C1H/C2H	02-04	CK4488		CSK029			SRC025	SRK025	CT021
Z 1300 A1-A3	79-81	CK4452		CSK010					
Z 1300 A4/A5	82-83	CK4458		CSK010					
ZG 1300 A1-A3	84-86	CK4455		CSK007					CT032
GTR 1400 ZG	08-11	CK4520		CSK023					CT021
GTR 1400 ZG ABS	12-16	CK4520		CSK023					CT021
ZZR 1400 ZX	06-07	CK4518		CSK124					CT021
ZZR 1400 ZX ABS	06-07	CK4518		CSK124					CT021
ZZR 1400 ABS	08-11	CK4518		CSK124					CT021
ZZR 1400 ABS	12-16	CK4518		CSK023					CT021
ZZR 1400 ABS Performance	12-19	CK4518		CSK023					CT022
ZZR 1400 ABS Performance Sport	14-19	CK4518		CSK023					CT023
VN 1500 B/C/D	88-96	CK4455							CT032
VN 1500 B2-B6	88-92	CK4455							CT032
VN 1500 C1/C2	94-95	CK4455							CT032
VN 1500 D1/D2	96-98	CK4455							CT032
VN 1500 G1/G2	98-99	CK4455							CT032
VN 1500 E Classic	98-99	CK4455							CT032
VN 1500 J/R Drifter	99-04	CK4455							CT032
VN 1500 N Classic Fi	00-04	CK4455							CT032
VN 1500 L Classic Tourer Fi	00-03	CK4455							CT032
VN 1500 P Mean Streak	02-04	CK4455							CT032
VN 1600 A Classic	03-08	CK4455							CT032
VN 1600 B1 Mean Streak	04	CK4455							CT032
VN 1600 B Mean Streak	05-08	CK4455							CT032
VN 1600 D Classic Tourer	05-08	CK4455							CT032
VN 1700 B Voyager ABS	09-16	CK4516		CSK170					CT032
VN 1700 C9F Classic Tourer	09	CK4516		CSK170					CT032
VN 1700 Classic Tourer ABS	10-14	CK4516		CSK170					CT032
VN 1700 Vulcan Nomad	15-16	CK4516		CSK170					CT032
VN 1700 E9F Classic	09	CK4516		CSK170					CT032
VN 1700 Classic ABS	10-17	CK4516		CSK170					CT032
VN 1700 Voyager Custom	11-17	CK4516		CSK170					CT032
VN 2000 A1/A2/A6F	04-07	CK4516		CSK110					CT032
VN 2000 H8F/H9F Classic	08-09	CK4516		CSK110					CT032
SUZUKI									
AP 50	78	CK3311		CSK025					CT051
DR-Z50	19-24	CK3458							
FR 50	81	CK3393							
GS 50 K5 NA41A	05	CK3328		CSK013					CT011
GT 50 KB/KEN	77-80	CK3328		CSK001					CT011
JR 50 All models	78-07	CK3366		CSK002					
RM 50 C/N/T/X/Z	78-82	CK3328		CSK001					
OR 50 ET	80	CK3328		CSK001					CT011
RB 50 H	87	CK3380		CSK001					CT051
TS 50 ER	79-83	CK3328		CSK001					CT011
TS 50 X	84-02	CK3349		CSK001					CT011
ZR 50 KEN/KEX	79-81	CK3328		CSK001					CT011

CLUTCH APPLICATIONS

EBC CLUTCH KITS

MAKE & MODEL	MODEL YEAR	CK Series #	CKF Series #	Spring Kit #	DRC Series #	DRCF Series #	SRC Series #	SRK Series #	CT Tool #
SUZUKI Contd.									
ZR 50 SLKX/SKX	81	CK3328		CSK001					CT011
ZR 50 SKE/SKH	84-87	CK3328		CSK001					CT011
RM 60 K3	03	CK4438	CKF4438	CSK018	DRC007				CT070SP
RM 65	03-05	CK4438	CKF4438	CSK040	DRC098	DRCF098			CT070SP
DR-Z70	08-21	CK3458							
DS 80	80-00	CK3340		CSK001					CT011
JR 80	01-07	CK3340		CSK001					CT011
RM 80 B	77	CK3318	CKF3318	CSK001					CT011
RM 80 C/N/XT/XX	78-81	CK3318	CKF3318	CSK001					CT011
RM 80 XZ	82	CK3340		CSK036					CT011
RM 80 XD/HD	83	CK3340		CSK034					CT011
RM 80 XE/XF/HF	84-85	CK3318	CKF3318	CSK034					CT011
RM 80 XG	86	CK3367		CSK034					
RM 80 XH/XJ	87-88	CK3367		CSK055	DRC019				
RM 80 K/L	89-90	CK3318	CKF3318	CSK001	DRC020				CT011
RM 80	91-01	CK3318	CKF3318	CSK014	DRC025	DRCF025			CT011
RM 85 All Models	02-24	CK3318	CKF3318	CSK014	DRC025	DRCF025			CT011
FB 90 K1	01								
A 100 L/M/N	74-80	CK3312		CSK025					CT051
GP 100 C/UC	78	CK3319		CSK025					CT011
GP 100 N/UN	79	CK3318	CKF3318	CSK025					CT011
GP 100	81-92	CK3339		CSK025					CT011
RM 100 A	76	CK3319		CSK025					CT011
RM 100 B/C	77-78	CK3329		CSK025					CT011
RM 100 N/T/X	79-81	CK3319		CSK025					CT011
RM 100 K3	03	CK4453	CKF4453	CSK041	DRC045	DRCF045			CT002
TS 100	73-77	CK3326		CSK025					CT051
TS 100 C	78	CK3318		CSK025					CT011
TS 100 E Upto F 300563	79	CK3318	CKF3318	CSK025					CT011
TS 100 ER From F 300564	80-81	CK3337		CSK025					CT011
TS 100 E	82	CK3318	CKF3318	CSK025					CT011
DR-Z 110	03-05	CK4438	CKF4438	CSK040					CT070SP
110cc Smash	03	CK4438	CKF4438	CSK010					CT070SP
DR 125	82-94	CK3318	CKF3318	CSK034					CT011
DR 125 S	99-01	CK3318	CKF3318	CSK034					CT011
DR 125 SMK8/SMK9/SMLO	08-12	CK3337		CSK034					CT011
DR-Z 125	03-20	CK3318	CKF3318	CSK034					CT011
DR-Z 125 L	03-20	CK3318	CKF3318	CSK034					CT011
GN 125 NF41A	94-01	CK3318	CKF3318	CSK034					CT011
GN 125 NF41A	94-01	CK3318	CKF3318	CSK034					CT011
GN 125	82-90	CK3318	CKF3318	CSK034					CT011
GN 125 HS Chinese Production	00-11	CK3318	CKF3318	CSK034					CT011
GP 125 C/N	78-79	CK3319		CSK025					CT011
GP 125 X/XD	81-84	CK3338		CSK025					CT011
GS 125	82-00	CK3318	CKF3318	CSK034					CT011
GSX-R 125	18-24	CK3318	CKF3318	CSK245			SRC148	SRK148	CT011
GSX-S 125	18-24	CK3318	CKF3318	CSK245			SRC148	SRK148	CT011
GT 125	74-78	CK3318	CKF3318	CSK025					CT011
GT 125 EN	79	CK3337		CSK025					CT011
GZ 125 Marauder	98-11	CK3318	CKF3318	CSK034					CT011
LT 125	84-86	CK3328							CT011
RG 125 Gamma	86-90	CK3319		CSK025					CT011
RG 125 NF12B Gamma	86-90	CK3319		CSK025					CT011
RG 125 Gamma NF13A	92-94	CK3319		CSK146					CT011
RG 125 Gamma NF13B	92-94	CK3319		CSK146					CT011
RG 125 UN Wolf NF13E	92-94	CK3319		CSK146					CT011
RM 125 A/B/C	76-78	CK3329		CSK025					CT011
RM 125 N/T	79-80	CK3319		CSK025					CT011
RM 125 X/Z	81-82	CK3329		CSK036					CT011
RM 125 D	83	CK3329		CSK034					CT011
RM 125 E	84	CK3356		CSK034					CT011
RM 125 F	85	CK3329		CSK034					CT011
RM 125 G/H	86-87	CK3319		CSK001	DRC021				CT011
RM 125 J/K/L/M	88-91	CK3356		CSK053	DRC022				CT011
RM 125 N	92	CK3401		CSK032	DRC114				CT003
RM 125	93-96	CK3401		CSK027	DRC076S				CT003
RM 125 X/Y/K1	97-01	CK3401		CSK093	DRC115				CT003
RM 125 K	02-12	CK4514	CKF4514	CSK091	DRC130	DRCF130			CT003
RM 125 XCK8	09	CK4514	CKF4514	CSK091	DRC130	DRCF130			CT003
RV 125 Van-Van	02-15	CK3318	CKF3318	CSK034					CT011
T 125/125-11/R Stinger	69-71	CK3306		CSK025					CT052
TF 125 Farm Bike All models	78-05	CK3318	CKF3318	CSK025					CT011
TS 125	73-78	CK3318	CKF3318	CSK025					CT011
TS 125 ER Up to F No 302345	79	CK3318	CKF3318	CSK025					CT011
TS 125 ER From F No 302346	79	CK3337		CSK025					CT011
TS 125 ER	80-81	CK3337		CSK025					CT011

CLUTCH APPLICATIONS

EBC CLUTCH KITS

MAKE & MODEL	MODEL YEAR	CK Series #	CKF Series #	Spring Kit #	DRC Series #	DRCF Series #	SRC Series #	SRK Series #	CT Tool #
SUZUKI Contd.									
TS 125 ERZ	82	CK3318	CKF3318	CSK025					CT011
TS 125 N to Frame No. 178871	84	CK3318	CKF3318	CSK025					CT011
TS 125 N from Frame No.178872	84	CK3337		CSK025					CT011
TS 125 X	84-90	CK3319		CSK025					CT011
TS 125 R	90-94	CK3319		CSK146					CT011
TU 125 X	99	CK3319		CSK034					CT011
VL 125 Intruder	00-08	CK3432		CSK158					CT029
GSX 150 Gixxer	16	CK3318	CKF3318	CSK245			SRC148	SRK148	CT011
GSX 150 Gixxer	18	CK3318	CKF3318	CSK245			TBC	TBC	CT011
GSX-R 150	17-18	CK3318	CKF3318	CSK245			TBC	TBC	CT011
GSX-R 150	17-18	CK3318	CKF3318	CSK245			SRC148	SRK148	CT011
GSX-R 150	18-20	CK3318	CKF3318	CSK245			SRC148	SRK148	CT011
GSX-S 150	18-20	CK3318	CKF3318	CSK245			SRC148	SRK148	CT011
LT 160 E	89-92	CK3364		CSK048	DRC218				CT011
LT-F 160	90-03	CK3364		CSK048	DRC218				CT011
LT 160 QuadSport	03-04	CK3364		CSK048	DRC218				CT011
PE 175	78-82	CK3329		CSK025					CT011
GT 185 K/L/M/A/B/C/EC	73-79	CK3319		CSK025					CT011
LT 185 E/F	84-85	CK3328							CT011
TS 185 K/L/M	73-75	CK3319		CSK025					CT011
TS 185 B/C	77-78	CK3319		CSK025					CT011
TS 185 ER	79-81	CK3319		CSK025					CT011
DF 200 E SH42A	98-99	CK3319		CSK034	DRC274				CT011
DR 200 G/H/J	86-89	CK3319		CSK034	DRC094				CT011
DR 200 SE SH42A Djebel	93-00	CK3319		CSK034	DRC274				CT011
DR 200 SEK1-SEK9	01-09	CK3319		CSK034	DRC274				CT011
GT 200 X5	79-80	CK3319		CSK025					CT011
RV 200	02-03	CK3319		CSK034	DRC274				CT011
SB 200 N/X	79-80	CK3319		CSK025					CT011
SX 200 R	90-91	CK3319		CSK034					CT011
TS 200 R	89-94	CK3329		CSK034					CT011
LT 230 G	85-86	CK3364		CSK048	DRC218				CT011
LT-F 230 G/H	86-87	CK3364		CSK048	DRC218				CT011
DR 250 R SJ45A/DOHC	95-00	CK1181		CSK046					CT013
DR 250 S SJ44A	90-95	CK3399	CKF3399	CSK034	DRC058	DRCF058			CT022
DR-Z 250 DJ43A	01-07	CK1181		CSK046	DRC280				CT013
GS 250 TT/TX	80-81	CK3329		CSK036					CT011
GSF 250 N GJ74A	92-96	CK3319		CSK036					CT011
GSF 250 Bandit GJ77A	95-00	TBC		TBC					CT011
GSX 250 E	80-82	CK3329		CSK036					CT011
GSX 250 F Across	90-98	TBC		TBC					CT011
GSX 250 SSM Katana GJ76A	91	CK3339		CSK036					CT011
GSX 250 F ZR C	02-05	CK4508		CSK007					CT011
GSXR 250 RK GJ73A	89	CK3339		CSK036					CT011
GN 250 NJ41A	85-97	CK3358		CSK158					CT029
GT 250 K/L	73-74	CK3313		CSK159					CT046
GT 250 M/A-C	75-78	CK3315		CSK159					CT022
GT 250 X7	79-81	CK3315		CSK159					CT022
GW 250 Inazuma	13-15	CK3358		CSK204					CT029
GW 250 FL5 Inazuma	15	CK3358		CSK204					CT029
GZ 250 Marauder	99-08	CK3358		CSK068					CT029
LT-F 250	89-01	CK3390		CSK048	DRC089				CT011
LT-F 4WD	87-98	CK4523		CSK048	DRC089				CT011
LT 250 RH/RJ/RK	87-90	CK3372		CSK034	DRC023				CT022
LT 250 EFF/EFG	85-86	CK3390		CSK048	DRC089				CT011
LT-F 250 F	99-02	CK3390		CSK048	DRC089				CT011
LT-F 250 K2 Ozark Up to F/No JSAAJ51A22100696	02	CK3364		CSK048	DRC220				CT011
LT-F 250 K2 Ozark From F/No JSAAJ51A22100697	02	CK3364		CSK147	DRC297				CT011
LT-F 250 K3 Ozark	03	CK3390		CSK147	DRC221				CT011
LT-F 250 K4 Ozark	04	CK3448		CSK148	DRC222				CT011
LT-F 250 Ozark	05-14	CK3390		CSK147	DRC221				CT011
LT-Z 250 QuadSport	04-12	CK3448		CSK048	DRC222				CT011
250 SBK 2 LX 250 L	02	CK4469		CSK001					CT042
PE 250 B/C/N	77-79	CK3334		CSK006					CT022
PE 250 T/X/Z	80-82	CK3331		CSK006					CT022
RG 250 WD	83	CK3384		CSK159					CT022
RG 250 WE	84	CK3351		CSK159					CT022
RG 250 F	85-88	CK3351		CSK006					CT022
RGV 250 J	88	CK3351		CSK007					CT022
RGV 250 K/L VJ21A	89-90	CK3351		CSK007					CT022
RGV 250 VJ22A	91-95	CK3333		CSK007					CT022
RGV 250 T RGVR 250 SP VJ23A Dry Clutch	96	CK1288		CSK167					CT071SP
RL 250 L/M	74-75	CK3315							CT022
RL 250 Beamish	78-82	CK3343		CSK006					CT018SP
RM 250 A/B/C	76-78	CK3334		CSK006					CT022
RM 250	79-85	CK3331		CSK006					CT022

CLUTCH APPLICATIONS

EBC CLUTCH KITS

MAKE & MODEL	MODEL YEAR	CK Series #	CKF Series #	Spring Kit #	DRC Series #	DRCF Series #	SRC Series #	SRK Series #	CT Tool #
SUZUKI Contd.									
RM 250 G	86	CK3372		CSK034					CT022
RM 250 H	87	CK3372		CSK055	DRC052				CT022
RM 250 J/K/L	88-90	CK3374	CKF3374	CSK027	DRC024				CT022
RM 250 M	91	CK3374	CKF3374	CSK045	DRC040				CT022
RM 250 N/P	92-93	CK3400		CSK032	DRC048				CT022
RM 250 R/S	94-95	CK3374	CKF3374	CSK032	DRC072				CT022
RM 250 T	96	CK4435	CKF4435	CSK032	DRC080				CT016
RM 250 V/W/X/Y/K1/K2	97-02	CK4435	CKF4435	CSK091	DRC095				CT016
RM 250 K3/K4/K5	03-05	CK3454	CKF3454	CSK091	DRC161				CT016
RM 250 K6/K7/K8/K9	06-12	CK3453		CSK119	DRC160				CT016
RM 250 XCK8	09	CK3453		CSK119	DRC160				CT016
RMX 250 K/L	89-90	CK3374	CKF3374	CSK027					CT022
RMX 250 M	91	CK3374	CKF3374	CSK045					CT022
RMX 250 N/P	92-93	CK3400		CSK032					CT022
RMX 250	94-98	CK3374	CKF3374	CSK032	DRC072				CT022
RMX 250 SJ13A	95-97	CK3437							CT022
RMX 250 SJ14A	96-99	CK3374	CKF3374	CSK032	DRC072				CT022
RM-Z 250 K	04-09	CK4514	CKF4514	CSK141	DRC189	DRCF189			CT004
RM-Z 250	10-24	CK4514	CKF4514	CSK164	DRC255	DRCF255			CT004
SW-1 NJ45A	92	CK3358		CSK006					CT029
T20 Super Six	66-68	CK3310		CSK076					CT038SP
T 250 II/R/J	70-72	CK3313		CSK159					CT046
TS 250 ER	73-81	CK3315		CSK159					CT022
TS 250 X	85-89	CK3319		CSK034					CT011
TU 250 Volty	92-97	CK3358		CSK006					CT029
TU 250 X NJ45A-115-Volty	99-00	CK3358		CSK068					CT029
TU 250 Grass Tracker Big Boy NJ47A	00-01	CK3358		CSK068					CT029
TV 250 VJ21A Wolf	88-90	CK3351		CSK007					CT022
VL 250 Intruder	00-01	CK3358		CSK068					CT029
VL 250 Intruder	05-07	CK3358		CSK068					CT029
LT-F 300 J/K	88-89	CK3390		CSK048	DRC089				CT011
LT-F 4WD 300cc Quadrunner	91-98	CK3356		CSK048	DRC103				CT011
TU 250 XV/XW	97-00	CK3358		CSK006					CT029
LT-F 300 FX/FY/FK1	99-01	CK3356		CSK048	DRC103				CT011
RL 325 Beamish	78-82	CK3343		CSK006					CT018SP
DR 350 S	90-99	CK3399	CKF3399	CSK034	DRC058	DRCF058			CT022
SG 350 N Goose	92	CK3399	CKF3399	CSK034					CT022
T 350	69-72	CK3313		CSK159					CT046
SP 370 C/N	78-79	CK3334		CSK006					CT022
GT 380 K-M/A/B	73-77	CK3315		CSK159					CT022
DR 400 S	80-81	CK3332		CSK006					CT022
DR-Z 400 S/E	00-09	CK3433	CKF3433	CSK079	DRC105	DRCF105			CT006
DR-Z 400 SM	05-09	CK3433	CKF3433	CSK079	DRC105	DRCF105			CT006
GN 400 TT	80	CK3332		CSK006					CT022
GS 400 B/C	77-78	CK3343		CSK159					CT018SP
GSF 400 M/N/P	91-95	CK3397		CSK034					CT011
GSF 400 Bandit GK75A	89-94	CK3397		CSK034					CT011
GSX 400 ET/EX/EZ	80-82	CK3333		CSK006					CT022
GSX 400 FEX/FZ/FD	81-83	CK3332		CSK006					CT022
GSX 400 F GK74A	88-90	CK3397		CSK034					CT011
GSX 400 Impulse Type S	94-99	CK1177		CSK006					CT002
GSX 400 TX/LX	81	CK3333		CSK159					CT022
GSX 400 GK7BA Inazuma	00	CK3359		CSK006					CT047SP
GSX 400 SSN GK77A Katana	92	CK3441		TBC					
GSXR 400 H	87	CK3385		CSK034					CT011
GSXR 400 GK73A	88-90	CK3397		CSK034					CT011
GSXR 400 R GK76A	90-95	CK3397		CSK034					CT011
GSR 400 K6/K7/K8	06	CK1218	CKF1218	CSK075					CT014
LT-F 400 K2 Eiger	02	CK4439	CKF4439	CSK098	DRC223				CT006
LT-F 400 F Eiger 4WD	02-07	CK4439	CKF4439	CSK098	DRC120				CT006
LT-F 400 F King Quad 4WD	08-12	CK4439	CKF4439	CSK098	DRC120				CT006
LT-F 400 K3-K7 Eiger 2WD	03-07	CK4439	CKF4439	CSK098	DRC120				CT006
LT-Z 400 K3/K4	03-04	CK3433	CKF3433	CSK079	DRC105	DRCF105			CT006
LT-Z 400 QuadSport	05-15	CK3447	CKF3447	CSK079	DRC137	DRCF137			CT006
PE 400 T/X	80-81	CK3332		CSK006					CT022
RG 400 Walter Wolf	85-87	CK4503		CSK007					CT037SP
RM 400 C	78	CK3315		CSK006					CT022
RM 400 N/T	79-80	CK3332		CSK006					CT022
RV 400 RP/RR	93	CK1177		CSK006					CT002
SP 400 T	80	CK3332		CSK006					CT022
ST 400 Tempter	97-03	CK3359		CSK026					CT029SP
SV 400 N VK53A	98	CK3377		CSK069			SRC081	SRK081	CT033SP
SV 400 X/Y/K1/K2	99-02	CK3377		CSK069			SRC081	SRK081	CT033SP
SV 400 K3/K4/K5	03-05	CK1219		CSK133			SRC082	SRK082	CT033SP
SV 400 SN VK53A	98	CK3377		CSK069			SRC081	SRK081	CT033SP
SV 400 SX/SY/SK1/SK2	99-02	CK3377		CSK069			SRC081	SRK081	CT033SP

CLUTCH APPLICATIONS

EBC CLUTCH KITS

MAKE & MODEL	MODEL YEAR	CK Series #	CKF Series #	Spring Kit #	DRC Series #	DRCF Series #	SRC Series #	SRK Series #	CT Tool #
SUZUKI Contd.									
SV 400 SK3/SK4/SK5	03-05	CK1219		CSK133			SRC082	SRK082	CT033SP
VS 400 Intruder	94	CK3377		CSK026					CT029
GS 425 EN	79	CK3343		CSK006					CT018SP
GS 450 ET/EG/EJ	80-88	CK3333		CSK006					CT022
LT-R 450	06-12	CK3450	CKF3450	CSK125	DRC164	DRCF164			CT045
RM-X 450 ZL0/ZL2	10-15	CK3450	CKF3450	CSK186	DRC155	DRCF155			CT045
RM-Z 450 K5/K6/K7	05-07	CK3450	CKF3450	CSK164	DRC254	DRCF254			CT045
RM-Z 450	08-19	CK3450	CKF3450	CSK186	DRC155	DRCF155			CT045
RM-Z 450	20-24	TBC	TBC	TBC	TBC	TBC			
RM 465 X/Z	81-82	CK3348		CSK006					CT022
DR 500 X/Z/D	81-83	CK3359		CSK026					CT029SP
LT 500 RL/RM	90-91	CK3374	CKF3374	CSK034	DRC026				CT022
LT-F 500 F	98-02	CK4439	CKF4439	CSK007	DRC217				CT006
LT-F 500 FK3-FK7	03-07	CK3452		CSK007					CT006
GS 500 E	89-08	CK3333		CSK061					CT022
GT 500 A/B	76-77	CK3316		CSK158					CT022
RE5 M/A	75-76	CK3373		CSK158					CT035SP
RG 500 G/CH	85-87	CK4503		CSK224					CT037SP
RM 500 D/E	83-84	CK3348		CSK006					CT022
T500 1/2/3 18 ears	68-70	CK3314		CSK158					CT046
T500 R/J/K/L/M 12 ears	71-75	CK3316		CSK158					CT022
GT 550	72-77	CK3321		CSK158					CT035SP
GS 550	77-82	CK3344		CSK159					CT018SP
GS 550 Katana	81-82	CK3344		CSK159					CT018SP
GS 550 LT/LX	80-81	CK3344		CSK159					CT018SP
G SX 550 E GN71D	84-87	CK3344		CSK159					CT018SP
DR 600 R SN41A	86-89	CK3359		CSK224					CT029SP
DR 600 SF SN41A	85	CK3359		CSK224					CT029SP
DR 600 S SN41A	86-89	CK3359		CSK224					CT029SP
GSF 600 Bandit	95-99	CK3348		CSK198					CT047SP
GSF 600 S Faired Bandit	96-99	CK3348		CSK198					CT047SP
GSF 600 Bandit	00-04	CK3348		CSK198					CT047SP
GSF 600 S Faired Bandit	00-04	CK3348		CSK198					CT047SP
GSR 600 K6/K7/K8	06-10	CK1218	CKF1218	CSK075					CT014
G SX 600 F	88-91	CK3348		CSK026			SRC013	SRK013	CT047SP
G SX 600 F	92-97	CK3387		CSK198			SRC017	SRK017	CT036SP
G SX 600 F	98-06	CK3357	CKF3357	CSK198					CT047SP
G SX R 600 SRAD	97-98	CK1206	CKF1206	CSK902			SRC058	SRK106	CT055SP
G SX R 600 SRAD	99-00	CK1206	CKF1206	CSK902			SRC058	SRK058	CT055SP
G SX R 600 K	01-03	CK3466		CSK261			SRC112	SRK112	CT014
G SX R 600 K4/K5	04-05	CK1206	CKF1206	CSK156			SRC078	SRK078	CT014
G SX R 600 K6/K7	06-07	CK3455	CKF3455	CSK205			SRC086	SRK086	CT015
G SX R 600 K8/K9/L0	08-10	CK3456	CKF3456	CSK205			SRC088	SRK109	CT015
G SX R 600	11-24	CK3456	CKF3456	CSK183			SRC110	SRK110	CT015
RF 600 R	93-96	CK3408	CKF3408	CSK198			SRC045	SRK045	CT036SP
VS 600 GL	95-97	CK3377		CSK115					CT029
DL 650 V-Strom	04-06	CK1219		CSK133			SRC082	SRK082	CT033SP
DL 650 V-Strom ABS	07-11	CK1219		CSK133			SRC082	SRK082	CT033SP
DL 650 V-Strom ABS	12-15	CK1219		CSK133			SRC082	SRK082	CT033SP
DL 650 V-Strom Xpedition ABS	11	CK1219		CSK133			SRC082	SRK082	CT033SP
DL 650 V-Strom Traveller ABS	09-10	CK1219		CSK133			SRC082	SRK082	CT033SP
DL 650 V-Strom	04-11	CK1219		CSK133			SRC082	SRK082	CT033SP
DL 650 XT V-Strom ABS	15-21	CK1219		CSK133			SRC082	SRK082	CT033SP
DR 650 R SP41A	90-91	CK3402		CSK115	DRC059				CT029SP
DR 650 RS SP42A	90-91	CK3402		CSK115	DRC059				CT029SP
DR 650 R SP44A/B	92-93	CK3402		CSK115	DRC059				CT029SP
DR 650 RS SP43A/B	91-93	CK3402		CSK115	DRC059				CT029SP
DR 650 RE SP45A/B	94-95	CK3402		CSK115	DRC142				CT029SP
DR 650 SET/SEV	96-97	CK3386		CSK026	DRC087				CT024
GR 650 D/XD	83	CK3357	CKF3357	CSK026					CT029
GS 650 Katana	81-82	CK3330		CSK159					CT018SP
GS 650 GT	81-83	CK3330		CSK159					CT018SP
GSF 650 Bandit	05-06	CK3357	CKF3357	CSK122					CT047SP
GSF 650 S Faired Bandit	05-06	CK3357	CKF3357	CSK122					CT047SP
GSF 650 Bandit ABS	05-06	CK3357	CKF3357	CSK122					CT047SP
GSF 650 S Faired Bandit ABS	05-06	CK3357	CKF3357	CSK122					CT047SP
GSF 650 Bandit	07-12	CK1218	CKF1218	CSK122					CT014
GSF 650 S Faired Bandit	07-12	CK1218	CKF1218	CSK122					CT014
GSF 650 Bandit ABS	07-12	CK1218	CKF1218	CSK122					CT014
GSF 650 S Faired Bandit ABS	07-15	CK1218	CKF1218	CSK122					CT014
G SX 650 F	08-14	CK1218	CKF1218	CSK122					CT014
G SX 650 FA ABS	08-15	CK1218	CKF1218	CSK122					CT014
LS 650 Savage	87-97	CK3359		CSK026					CT029SP
SFV 650 Gladius	09-15	CK1219		CSK133			SRC082	SRK082	CT033SP
SFV 650 A Gladius ABS	09-15	CK1219		CSK133			SRC082	SRK082	CT033SP
SV 650	99-02	CK3377		CSK069			SRC081	SRK081	CT022

CLUTCH APPLICATIONS

EBC CLUTCH KITS

MAKE & MODEL	MODEL YEAR	CK Series #	CKF Series #	Spring Kit #	DRC Series #	DRCF Series #	SRC Series #	SRK Series #	CT Tool #
SUZUKI Contd.									
SV 650 S Faired	99-02	CK3377		CSK069			SRC081	SRK081	CT022
SV 650	03-10	CK1219		CSK133			SRC082	SRK082	CT033SP
SV 650 S Top Fairing	03-15	CK1219		CSK133			SRC082	SRK082	CT033SP
SV 650 ABS	07-10	CK1219		CSK133			SRC082	SRK082	CT033SP
SV 650 SA Top Fairing ABS	07-15	CK1219		CSK133			SRC082	SRK082	CT033SP
SV 650 ABS	16-20	CK1219		CSK133			SRC082	SRK082	CT033SP
XF 650 Freewind	97-02	CK3386		CSK026	DRC087				CT024
XN 85 D Turbo	83	CK3347		CSK006					CT018SP
GS 700 EF/ESF	85	CK3330		CSK115					CT018SP
VS 700	86-87	CK3377		CSK115					CT029
DR 750 S.J/SK	88-89	CK3386		CSK115					CT024
GT 750	72-77	CK3324		CSK158					CT018SP
GS 750	77-79	CK3324		CSK006					CT018SP
GSR 750 L	11-14	CK3417		CSK109					CT014
GSR 750 A ABS	12-15	CK3417		CSK109					CT014
GSX 750 ET/EX	80-81	CK3330		CSK006					CT018SP
GSX 750 E	83-86	CK3330		CSK115					CT018SP
GSX 750 SE Katana	84	CK3330		CSK026					CT018SP
GSX 750 F	89-97	CK3387		CSK012					CT036SP
GSX 750 F	98-06	CK3357	CKF3357	CSK198					CT047SP
GSX 750	98-03	CK3357	CKF3357	CSK198					CT047SP
GSXR 750 GR75A	85-87	CK3348		CSK115			SRC013	SRK013	CT047SP
GSXR 750 RG Dry Clutch - Sintered Friction	86	CK3376		CSK198				SRK138	CT072SP
GSXR 750 J/K	88-89	CK3387		CSK012			SRC014	SRK014	CT036SP
GSXR 750 L/M/WN	90-92	CK3387		CSK198			SRC017	SRK017	CT036SP
GSXR 750 WP/WR/WS	93-95	CK3387		CSK198			SRC017	SRK104	CT036SP
GSXR 750 T/V/W/X SRAD	96-99	CK3417		CSK902			SRC040	SRK040	CT055SP
GSXR 750 Y	00	CK1229		CSK156			SRC071	SRK071	CT014
GSXR 750 K1/ K2/K3	01-03	CK3465		CSK156			SRC111	SRK111	CT014
GSXR 750 K4/K5	04-05	CK3417		CSK075			SRC121	SRK121	CT014
GSXR 750 K6/K7	06-07	CK3456	CKF3456	CSK205			SRC088	SRK088	CT015
GSXR 750 K8/K9/L0	08-10	CK3456	CKF3456	CSK205			SRC088	SRK109	CT015
GSX-R 750	11-24	CK3456	CKF3456	CSK183			SRC110	SRK110	CT015
GSX-S 750	15-22	CK3417					SRC169	SRK169	CT015
VS 750 G VR51A	85-91	CK3377		CSK115					CT029
DR 800 SL SR43A/B	90-95	CK3386		CSK115					CT024
DR 800 SR43B	96-97	CK3386		CSK115					CT024
VS 800 G	92-97	CK3377		CSK115					CT029
VL 800 Intruder Volusia	01-05	CK3377		CSK066					CT029
C 800 Intruder VL 800	06-15	CK3377		CSK066					CT029
C 800 C Intruder VL 800	07-15	CK3377		CSK066					CT029
C 800 Intruder VL 800 BLT4	14	CK3377		CSK066					CT029
VX 800 8 Spring Kit	90-96	CK3377		CSK162					CT029
VZ 800 Marauder 8 Spring Kit	97-02	CK3377		CSK162					CT029
M 800 VZ 800 Intruder	05-13	CK3377		CSK066					CT029
M 800 T VZ 800 Intruder	14-15	CK3377		CSK066					CT029
M 800 Z VZ 800 Intruder	09-10	CK3377		CSK066					CT029
GS 850 G	79-85	CK3330		CSK006					CT018SP
RF 900 RR	94	CK3418		CSK902			SRC039	SRK039	CT055SP
RF 900 R	95-98	CK3417		CSK029					CT014
DL 1000 V-Strom	02-10	CK3443	CKF3443	CSK043					CT021
DL 1000 V-Strom ABS	14-21	CK3443	CKF3443	CSK043					CT021
DL 1000 V-Strom Adventure	14-21	CK3443	CKF3443	CSK043					CT021
GS 1000	78-80	CK3345		CSK158			SRC115	SRK115	CT035SP
GS 1000 GT/GX	80-81	CK3335		CSK006			SRC050	SRK050	CT024SP
GSX 1000 SZ	82	CK3335		CSK006			SRC050	SRK050	CT024SP
GSXR 1000 K	01-04	CK4510	CKF4510	CSK128			SRC089	SRK089	CT004
GSXR 1000 K5/K6/K7/K8	05-08	CK3451	CKF3451	CSK145			SRC085	SRK085	CT015
GSXR 1000 K9/L0/L1	09-11	CK3462	CKF3462	CSK160			SRC097	SRK097	CT009
GSXR 1000 L/L	12-16	CK3462	CKF3462	CSK196			SRC120		CT009
GSX-R 1000 ABS	17	CK3468		CSK242			SRC142	SRK142	CT009
GSX-S 1000	16-17	CK4510	CKF4510	CSK223					CT004
GSX-S 1000 ABS	16-17	CK4510	CKF4510	CSK223					CT004
GSX-S 1000	18-21	CK3451	CKF3451	CSK145			SRC085	SRK085	CT015
GSX-S 1000 ABS	18-21	CK3451	CKF3451	CSK145			SRC085	SRK085	CT015
GSX-S 1000 F	16-17	CK4510	CKF4510	CSK223					CT004
GSX-S 1000 F ABS	16-17	CK4510	CKF4510	CSK223					CT004
GSX-S 1000 F	18-21	CK3451	CKF3451	CSK145			SRC085	SRK085	CT015
GSX-S 1000 F ABS	18-21	CK3451	CKF3451	CSK145			SRC085	SRK085	CT015
Katana	19-21	CK3451	CKF3451	CSK145			SRC085	SRK085	CT015
SV 1000	03-07	CK3443	CKF3443	CSK114					CT021
SV 1000 SK Faired	03-07	CK3443	CKF3443	CSK114					CT021
TL 1000 SV/SW	97-98	CK3417		CSK078					CT014
TL 1000 RW/RX/RV	98-00	CK3428		CSK071			SRC068	SRK068	CT009
TL 1000 SX/SY	99-00	CK3428		CSK071			SRC068	SRK068	CT009
TL 1000 SK1	01-02	CK3435		CSK071					CT009

CLUTCH APPLICATIONS

EBC CLUTCH KITS

MAKE & MODEL	MODEL YEAR	CK Series #	CKF Series #	Spring Kit #	DRC Series #	DRCF Series #	SRC Series #	SRK Series #	CT Tool #
SUZUKI Contd.									
TL 1000 RK1	01-02	CK3435		CSK071					CT009
GS 1100 GZ	82	CK3335		CSK006			SRC050	SRK050	CT024SP
GSX 1100 ET/EX/EZ	80-82	CK3335		CSK006			SRC050	SRK050	CT024SP
GSX 1100 SZ	82	CK3335		CSK006			SRC050	SRK050	CT024SP
GSX 1100 SD	83	CK3346		CSK006					CT024SP
GSX 1100 ESD	83	CK3346		CSK006					CT024SP
GSX 1100 EF	84-86	CK3335		CSK006			SRC050	SRK050	CT024SP
GSX 1100 F	88-94	CK3381		CSK012					CT048SP
GSX 1100 GM/GN	91-94	CK3392		CSK902			SRC010	SRK010	CT055SP
GSXR 1100 G/H/J	86-88	CK3381		CSK026			SRC015	SRK015	CT048SP
GSXR 1100 K/L/M/N	89-92	CK3392		CSK902			SRC010	SRK010	CT055SP
GSXR 1100 W	93-96	CK3418		CSK902			SRC039	SRK039	CT055SP
GS 1200 SSK/ZK1 GV78A	01	CK3417		CSK902			SRC040	SRK040	CT055SP
GSF 1200 Bandit	96-00	CK3417		CSK902			SRC040	SRK040	CT055SP
GSF 1200 K Bandit	01-05	CK3417		CSK902			SRC040	SRK040	CT055SP
GSF 1200 S Faired Bandit	96-00	CK3417		CSK902			SRC040	SRK040	CT055SP
GSF 1200 SAV ABS Bandit	97	CK3417		CSK902			SRC040	SRK040	CT055SP
GSF 1200 SK Faired Bandit	01-05	CK3417		CSK902			SRC040	SRK040	CT055SP
GSF 1200	06	CK3417		CSK902			SRC040	SRK040	CT055SP
GSF 1200 SK Faired Bandit	06	CK3417		CSK902			SRC040	SRK040	CT055SP
GSF 1200 Bandit Streetfighter	07-09	CK3459		CSK124					CT021
GSX 1200 Inazuma GV76A	98-99	CK3417		CSK902			SRC040	SRK040	CT055SP
GV 1200 Madura	85-86	CK3375		CSK115					CT029
GSF 1250 Bandit	07-10	CK3459		CSK124					CT021
GSF 1250 ABS	07-10	CK3459		CSK124					CT021
GSF 1250 SK Faired Bandit ABS	07-10	CK3459		CSK124					CT021
GSF 1250 SA Faired Bandit ABS	07-15	CK3459		CSK124					CT021
GSX 1250 F	10-15	CK3459		CSK124					CT021
GSX 1250 FA Sports Touring	10-14	CK3459		CSK124					CT021
GSX 1300 RX Hayabusa	99	CK3430		CSK072			SRC067	SRK067	CT021
GSX 1300 RY/RK1 Hayabusa	00-01	CK3430		CSK171					CT021
GSX 1300 RK Hayabusa	02-07	CK3443	CKF3443	CSK171					CT021
GSX 1300 RK Hayabusa	08-15	CK3443	CKF3443	CSK139					CT021
GSX 1300 BK B-King	08-12	CK3443	CKF3443	CSK139					CT021
GSX 1400 K1	01	CK3445		CSK089					CT009
GSX 1400 K	02-07	CK3439		CSK089			SRC133	SRK133	CT009
GV 1400 Cavalcade All models	85-88	CK3388		CSK115					CT029
VS 1400 GL	87-03	CK3382							CT029
VL 1500 Intruder Legendary Classic	98-03	CK3335		CSK031					CT024SP
VL 1500 C Intruder	05-09	CK3335		CSK031					CT024SP
VL 1500 C BT Intruder	13-14	CK3459		TBC					CT021
M 1500 VZ M Intruder	09-13	CK3459		TBC					
M 1600 VZ M Marauder	04-05	CK4455							CT032
C 1800 R Intruder VLR	08-13	CK3463		CSK075					
C 1800 RT Intruder VLR	08-09	CK3463		CSK075					
M 1800 R VZR M R Intruder	06-09	CK3457		CSK122					CT044
M 1800 R2 VZR Intruder	08-09	CK3457		CSK122					CT044
M 1800 RZ VZR M	07-13	CK3457		CSK122					CT044
M 1800 RB VZR M	14-15	CK3457		CSK122					CT044
YAMAHA									
FS1 E/FS 1 DX	74-80	CK2205		CSK042					CT044
FS1	87-90	CK2205		CSK042					CT044
FS1 SE	81-82	CK2205		CSK042					CT044
DT 50 M	78-79	CK2206		CSK042					CT044
DT 50 M/MX	80-95	CK2205		CSK042					CT044
DT 50 LC	98	CK2206		CSK042					CT044
DT 50 R	97-08	CK2348							
DT 50 X Supermotard	04-08	CK2348							
RD 50 M	78-79	CK2206		CSK042					CT044
RD 50 M/MX	80-83	CK2205		CSK042					CT044
RD 50	86-87	CK2205		CSK042					CT044
RZ 50 5FC1/2	02	CK2238		CSK042					CT044
TT 50 E	06-15	TBC							
TY 50/TY 50 M 1F4/1G7	77-78	CK2206		CSK042					CT044
TY 50 M 2K0	80	CK2205		CSK042					CT044
T 50 2T	86	CK2302							
TZR 50 5 Plate Kit	97-03	CK2349							
TZR 50 4 Plate Kit	04-16	CK2348							
V 50 M/P Step through	75-77	CK2303							
YFM 50 S/T/RV/RW/RX Raptor	04-08	CK2303							
YZ 50 G/H/J/K	80-83	CK2206		CSK042					CT044
YZ 65 J	19-21	CK2304		CSK042					CT010
DT 80 LC1 37A - 4 Plate Clutch	81-84	CK2238		CSK042					CT044
DT 80 LC2 53A - 5 Plate Clutch	85-92	CK2254	CKF2254	CSK042					CT044
DT 80 MX Type 5J2	81-82	CK2206		CSK042					CT044

EBC CLUTCH KITS

MAKE & MODEL	MODEL YEAR	CK Series #	CKF Series #	Spring Kit #	DRC Series #	DRCF Series #	SRC Series #	SRK Series #	CT Tool #
YAMAHA Contd.									
DT 80 MX Type 12X	83	CK2206		CSK042					CT044
DT 80 MX Type 36N	83-85	CK2238		CSK001					CT044
DT 80 MXS	84	CK2238		CSK042					CT044
PW 80 All models	83-06	CK2303							
RD 80	82	CK2206		CSK042					CT044
RD 80 LC	82	CK2238		CSK042					CT044
T 80	83-97	CK2303							
TY 80	77-83	CK2206		CSK042					CT044
V 80	79-83	CK2303							
YFM 80 Badger	91-01	CK2303							
YFM 80 Raptor	02-08	CK2303							
YFM 80 Grizzly	05-08	CK2303							
YZ 80 D	177	CK2238		CSK042					CT044
YZ 80 E/F	78-79	CK2254	CKF2254	CSK042					CT044
YZ 80 G	80	CK2238		CSK042					CT044
YZ 80 H/J/K/L/N	81-85	CK2287		CSK042					CT010
YZ 80 S/T/U/W	86-89	CK2304		CSK042	DRC027				CT010
YZ 80 E/LC/LW/F	93-94	CK2304		CSK039	DRC066				CT010
YZ 80 G/H/J/K/L/M/N	95-01	CK2335	CKF2335	CSK042	DRC078				CT010
YZ 85 All Models	02-24	CK2335	CKF2335	CSK042	DRC111	DRCF111			CT010
TT-R 90	00-07	CK2354							
T 90 4NM1-9 Mate	00	CK2354							
AG 100 E Farm Bike	93	CK2208		CSK001					CT039
AG 100 J 3HAA	82	CK2208		CSK001					CT039
DT 100	76-80	CK2236		CSK042					CT039
RS 100 478	75-76	CK2208		CSK042					CT039
RS 100 1Y8 Europe	77-78	CK2254	CKF2254	CSK042					CT044
RS 100 S 1Y8 UK	77-78	CK2254	CKF2254	CSK042					CT044
RS 100 DX 1Y8 Europe	79	CK2254	CKF2254	CSK042					CT044
RS 100 1Y9 UK	79-81	CK2254	CKF2254	CSK042					CT044
RS 100 1Y8 Europe	80-82	CK2254	CKF2254	CSK042					CT044
RT 100 E/F/K	93-03	CK2254	CKF2254	CSK001					CT044
RXS 100	83-97	CK2254	CKF2254	CSK001					CT044
YB 100	78-92	CK2207		CSK060					CT044
YZ 100	78-83	CK2234		CSK039					CT039
T 105/105 E Crypton	96	CK2354							
T 105 E 5ER1/2	99	CK2354							
V 110 Sporty Scooter	96	CK2354							
TT-R 110 E	08-21	CK2375		CSK150					
RX 115 5FS3	99	CK2254	CKF2254	CSK042					CT044
AS3 125	71-72	CK2236		CSK042					CT039
DT 125	74	CK2209		CSK042					CT039
DT 125/125 F	76-77	CK2236		CSK039					CT039
DT 125 E	78-79	CK2236		CSK001					CT039
DT 125 MX	80-81	CK2236		CSK042					CT039
DT 125 LC Type 10V	82	CK2281		CSK042					
DT 125 LC Type 12W	82	CK2281		CSK042					
DT 125 LC Type 26G	83	CK2281		CSK042					
DT 125 LC Type 35A	85-87	CK2283		CSK042					CT044
DT 125 R	88-03	CK2313	CKF2313	CSK042	DRC042	DRCF042			CT010
DT 125 RE	04-07	CK2313	CKF2313	CSK042	DRC042	DRCF042			CT010
DT 125 3TT4	96	CK2283		CSK042					CT044
DT 125 X	05-06	CK2313	CKF2313	CSK042	DRC042	DRCF042			CT010
IT 125 G/H/J	80-82	CK2234		CSK042					CT044
MT 125	14-16	CK1119		CSK208					CT088
MT 125 A ABS	14-18	CK1119		CSK208					CT088
RD 125	73-74	CK2236		CSK042					CT039
RD 125 DX	75-76	CK2236		CSK042					CT039
RD 125 DX	78-81	CK2254	CKF2254	CSK042					CT044
RD 125 LC MK1-MK3	82-87	CK2283		CSK042					CT044
RZ 125 1GV 030101-	85	CK2283		CSK042					CT044
RS 125/RS 125 DX	75-76	CK2236		CSK042					CT039
RS 125	77-81	CK2254	CKF2254	CSK042					CT044
SR 125 SE	81-83	CK2256		CSK052					CT039
SR 125	89-03	CK2256		CSK052					CT039
TDR 125	89-93	CK2313		CSK042					CT010
TDR 125	93-03	CK2313	CKF2313	CSK042	DRC042	DRCF042			CT010
TDR 125 R Lightburner	93-94	CK2313	CKF2313	CSK042					CT010
TT-R 125	00-21	CK2254	CKF2254	CSK042	DRC230	DRCF230			CT044
TW 125 5EK 4 Friction Plate Type	99-02	CK2256		CSK052					CT039
TW 125 5RS 5 Friction Plate Type	03-04	CK2234		CSK052					CT039
TZR 125 2RK/3PC1/2/3	87-92	CK2304		CSK042					CT010
TZR 125 3JB/4JB/4HW/4HX	93-95	CK2313	CKF2313	CSK042					CT010
TZR 125 R 4DL1/4DL2	91-93	CK2313	CKF2313	CSK042					CT010
TZR 125 RR 4DL3	94-95	CK2313	CKF2313	CSK042	DRC042	DRCF042			CT010
TY 125	80-82	CK2234		CSK042					CT039

CLUTCH APPLICATIONS

EBC CLUTCH KITS

MAKE & MODEL	MODEL YEAR	CK Series #	CKF Series #	Spring Kit #	DRC Series #	DRCF Series #	SRC Series #	SRK Series #	CT Tool #
YAMAHA Contd.									
WR 125 R	09-15	CK2292		CSK212					CT061
WR 125 X Supermoto	09-16	CK2292		CSK212					CT061
XV 125 Virago	97-00	CK2316		CSK002					CT008
XVS 125 Drag Star 5XJ1	00	CK2316		CSK002					CT008
XVS 125 Drag Star 5XJ3/5XJ5/5XJ7	01-04	CK2250		CSK002					CT008
XT 125	82-83	CK2256		CSK052					CT039
XT 125 R 3D61/3D63 - 5 Friction plate type	05-06	CK2254	CKF2254	CSK042					CT044
XT 125 R 13D1 - 5 Friction plate type	07	CK2254	CKF2254	CSK042					CT044
XT 125 R 13D3/13D5 - 4 Friction plate type	07-11	CK1151	CKF1151	CSK042					CT012
XT 125 X 3D62/3D64 - 5 Friction plate type	05-06	CK2254	CKF2254	CSK042					CT044
XT 125 X 13D2 - 5 Friction plate type	07	CK2254	CKF2254	CSK042					CT044
XT 125 X 13D4/13D6 - 4 Friction plate type	07-11	CK1151	CKF1151	CSK042					CT012
XTZ 125 5RM 5 plate clutch	03-10	CK2254	CKF2254	CSK042					CT044
YBA 125 Enticer 3P01/3P41	05-06	TBC		TBC					
YBR 125 ED 3D91/3D92/3D9 - 4 Plate type	06-09	CK1151	CKF1151						CT012
YBR 125 ED 51D1/2 - 4 Plate type	10-16	CK1151	CKF1151						CT012
YBR 125 E/K 5HH1/2/C/G/J/5LX/5LX9 Brazil - 5 Friction plate type	00-06	CK2254	CKF2254	CSK042					CT044
YBR 125 ED 5HHB/F/H Brazil - 5 Friction plate type	06-08	CK2254	CKF2254	CSK042					CT044
YBR 125 Custom - 4 Friction plate type	08-16	CK1151	CKF1151						CT012
YZ 125 C 2T	76	CK2234		CSK039					CT039
YZ 125 D/E 2T	77-78	CK2235		CSK039					CT039
YZ 125 F 2T	79	CK2234		CSK042					CT039
YZ 125 G 2T	80	CK2234		CSK039					CT039
YZ 125 H 2T	81	CK2235		CSK039					CT039
YZ 125 H 2T	82	CK2276		CSK039					
YZ 125 K/L/N 2T	83-85	CK2278		CSK039					CT054SP
YZ 125 S/T 2T	86-87	CK2278		CSK002	DRC028				CT054SP
YZ 125 U 2T	88	CK2312		CSK002	DRC029				CT054SP
YZ 125 W/A 2T	88	CK2311		CSK002	DRC030				CT054SP
YZ 125 B/D 2T	91-92	CK2319		CSK081	DRC039				CT005
YZ 125 E/F/G 2T	93-95	CK2325	CKF2325	CSK081	DRC070	DRCF070			CT005
YZ 125 H 2T	96	CK2325	CKF2325	CSK014	DRC085	DRCF085			CT005
YZ 125 J/K/L/M/N 2T	97-01	CK2325	CKF2325	CSK081	DRC070	DRCF070			CT005
YZ 125 P/R/S 2T	02-04	CK2325	CKF2325	CSK014	DRC085				CT005
YZ 125 2T	05-16	CK2325	CKF2325	CSK081	DRC070	DRCF070			CT005
YZF-R 125	08-13	CK2292		CSK212					CT061
YZF-R 125	14-18	CK1119		CSK208					CT088
YZF-R 125 ABS	14-18	CK1119		CSK208					CT088
RX 135 13X	81	CK2283		CSK042					CT044
TZR 150 R 4AP2	00	CK2313	CKF2313	CSK042					CT010
DT 175	74-75	CK2209		CSK042					CT039
DT 175	76-77	CK2236		CSK039					CT039
DT 175 MX	78-81	CK2245		CSK042					CT039
DT 175 3TS4	96	CK2365		CSK042					CT044
IT 175 G/H/J	80-82	CK2235		CSK039					CT039
TY 175	77-80	CK2234		CSK042					CT039
AG 200 E 3GX6	93	CK2292		CSK149	DRC055				CT039
DT 200 2LR	87	CK2313	CKF2313	CSK042					CT010
DT 200 WR 3XP	92-93	CK2313	CKF2313	CSK042					CT010
IT 200 L	84	CK2235		CSK001					CT039
RD 200 DX	76-81	CK2209		CSK042					CT039
RS 200	79-80	CK2209		CSK042					CT039
SDR 200 2TV	87-89	CK2313	CKF2313	CSK042	DRC042	DRCF042			CT010
TW 200 2JL/4CS1/2/3/5	91-98	CK2234		CSK149	DRC231				CT039
TW 200 4CS4/6/5LB1/2	98-01	CK2234		CSK149	DRC231				CT039
WR 200 D/E/F	92-94	CK2313	CKF2313	CSK042	DRC042	DRCF042			CT010
YFM 200 DKW/DX/DXA	86-90	CK2287		CSK149	DRC232				CT010SP
YFS 200 Blaster	91-06	CK2313	CKF2313	CSK042	DRC042	DRCF042			CT010
YTM 200 EL/DX	89	CK2304							CT010
ST 225 5BT Bronco	97	CK2324		CSK149	DRC229				CT039
TDM 225	05	TBC		TBC					
TW 225 E 5VC1/2	02-03	CK2234		CSK149	DRC229				CT039
XT 225 Serrow 1KH 020101-	86-87	CK2324		CSK149	DRC229				CT039
XT 225 Serrow 1KH 034101-132000	89-93	CK2324		CSK149	DRC229				CT039
XT 225 Serrow 1KH 034101-132000	92	CK2324		CSK149	DRC229				CT039
XT 225 3RW4 Serrow 1KH 080101-	92	CK2324		CSK149	DRC229				CT039
XT 225 W Serrow	93-95	CK2324		CSK149	DRC229				CT039
XT 225 WE Serrow	97-98	CK2324		CSK149	DRC229				CT039
XT 225 4W Brasil	97-06	CK2324		CSK149	DRC229				CT039
YFM 225 N/S/T/U	85-89	CK2287		CSK149					CT010SP
YTM 225 DRN	85	CK2287		CSK052	DRC104				CT010SP
DT 230 R Lanza 4TP1/2	97-98	CK2313	CKF2313	CSK042	DRC042	DRCF042			CT010
YFU1W/TW Pro Hauler Pro 4 230cc	89	CK2287		CSK052	DRC104				CT010SP
DT 250	75-76	CK2240		CSK002					CT008
DT 250 MX	77-80	CK2223		CSK002					

CLUTCH APPLICATIONS

EBC CLUTCH KITS

MAKE & MODEL	MODEL YEAR	CK Series #	CKF Series #	Spring Kit #	DRC Series #	DRCF Series #	SRC Series #	SRK Series #	CT Tool #
YAMAHA Contd.									
FZR 250	87	CK2331		CSK034			SRC034	SRK034	CT010
FZX 250 Zeal 3YX1/2/4	91-92	CK2331		CSK034			SRC034	SRK034	CT010
IT 250 G	80	CK2250		CSK002					CT008
IT 250 H/J	81-82	CK2279	CKF2279	CSK002					CT008
IT 250 L	84	CK2280		CSK002					CT060
RD 250/A/B	73-75	CK2240		CSK039					CT008
RD 250 C/D/E/F	76-79	CK2240		CSK002					CT008
RD 250 LC	80-82	CK2240		CSK002					CT008
Ri-Z 250cc/3XC	90-92	CK2319		CSK052					CT005
XT 250 Serrow 3C51/2	05-08	CK2370	CKF2370	CSK081					CT005
SR 250 US Custom/3Y8/6 Plate Clutch	80-81	CK2267		CSK002					CT008
SR 250 SE Special/3Y8/5 Plate Clutch	81-83	CK2261		CSK002					CT008
SR 250 4GR1/2/3/4/5 Plate Clutch	94-96	CK2261		CSK002					CT008
SR 250 Classic/21L/5 Plate Clutch	96-00	CK2261		CSK002					CT008
SRV 250 Soulful Twin/Renaissa 4DN1-6	92-97	CK2316							CT008
TDR 250 3CK1/3CK2 Europe	88-92	CK2319		CSK052					CT025
TT 250 R 4GY1 Japan - 6 Plate Clutch	93-94	CK2370	CKF2370	CSK049					CT005
TT 250 R 4RR1/2 Japan - 6 Plate Clutch	95-97	CK2370	CKF2370	CSK049					CT005
TT 250 R 4GY3/4GY5/4WA1 - Raid - Japan - 6 Plate Clutch	94-96	CK2370	CKF2370	CSK049					CT005
TT 250 R 4MR2 - UK - 6 Plate Clutch	96	CK2370	CKF2370	CSK049					CT005
TT 250 RL 4PX5 - 6 Plate Clutch	99	CK2370	CKF2370	CSK049					CT005
TT 250 RM 4PX6 - 7 Plate Clutch	00	CK2319		CSK014	DRC226				CT005
TYR 250 D/E	77-78	CK2240		CSK002					CT008
TY 250 S/R	84-90	CK2295		CSK059					CT060
TY 250 R	91-92	CK2295		CSK059					CT060
TY 250 Z	93-96	CK2319		CSK002					CT005
TZR 250 2MA/2XW1/2XW2 Europe	87-92	CK2319		CSK052					CT025
TZR 250 1KT/2AW Japan - 1KT - 000/056-	87	CK2319		CSK052					CT025
TZR 250 2XT1 Japan - 1KT - 09-	88	CK2319		CSK052					CT025
TZR 250 3MA1 - Reverse Cyl - 3MA 0001-	89	CK2342		CSK081					CT008
TZR 250 3MA3/3MA5 - Reverse Cyl - 3MA -0.793103448275862	89-90	CK2342		CSK081					CT008
TZR 250 SP 3MA4 - 3MA 55 -	90			CSK002					
TZR 250 R 3XV1/3XV4/3XV6 - V-Twin-3XV 000101-08600	91-93	CK2319		CSK014					CT005
TZR 250 RS 3XV8/3XV9/3XVA - V-Twin-3XV 080101-08200/088-	92-94								
TZR 250 SPR 3XVC - V-Twin-3XV -107101	95								
WR 250 2T	91-93	CK2309		CSK081					CT020
WR 250 2T	94-98	CK2274	CKF2274	CSK081					CT020
WR 250 F 4T	01-13	CK2355	CKF2355	CSK002	DRC119	DRCF119			CT005
WR-F 250 4T/Reverse Cyl	15-21	CK2355	CKF2355	CSK214					CT005
WR-F 250 4T/Reverse Cyl	21-24	TBC	TBC	TBC					
WR 250 R L	20-21	CK2319		CSK014	DRC226				CT005
WR 250 RX/RV 32D1/3	08-15	CK2319		CSK014	DRC226				CT005
WR 250 X Supermoto 32D2/4	08-15	CK2319		CSK014	DRC226				CT005
XG 250 Tricker 5XT1	04-06	CK2370	CKF2370	CSK081					CT005
XS 250 C/D/E	78-80	CK2279	CKF2279	CSK002					CT008
XS 250 SE/C	80-81	CK2250		CSK049					CT008
XT 250	80	CK2267		CSK001					CT008
XT 250 Serrow 3C51/2	05-08	CK2370	CKF2370	CSK081					CT005
XTZ 250 Lander Brasil 4B41/2/3	07-09	CK1217		CSK132					CT014
XV 250 Virago	89-94	CK2316		CSK002					CT008
XV 250 S Virago	95-00	CK2316		CSK002					CT008
XVS 250 Dragstar	01-04	CK2250		CSK002					CT008
YBR 250 5D11/3/4	07-11	CK1217		CSK132					CT014
YDS7 250cc	72	CK2240		CSK039					CT008
YFB 250	92-00	CK2287		CSK052	DRC104				CT010SP
YFM 250 W/A/B	90-92	CK2287		CSK052	DRC104				CT010SP
YFM 250 X Bear Tracker	00-04	CK2287		CSK052	DRC104				CT010SP
YFM 250 FN	01	CK2287		CSK052	DRC104				CT010SP
YFM 250 BT/BV Bruin	05-06	CK2287		CSK052	DRC104				CT010SP
YFM 250 B Big Bear	07-10	CK2287		CSK052	DRC104				CT010SP
YFM 250 R 33B	09-11	CK2370	CKF2370	CSK058	DRC200	DRCF200			CT005
YFM 250 R 1BT	12-13	CK2370	CKF2370	CSK058					CT005
YTZ 250 N/S TRI Z	85-86	CK2280		CSK002	DRC032				CT060
YS 250 Fazer Brasil 1S41	06-08	CK1217		CSK132					CT014
YZ 250 D/E 2T	77-78	CK2244		CSK002					CT008
YZ 250 F 2T	79	CK2250		CSK002					CT008
YZ 250 G 2T	80	CK2244		CSK002					CT008
YZ 250 H 2T	81	CK2279	CKF2279	CSK002					CT008
YZ 250 J/K/L 2T	82-84	CK2280		CSK002					CT060
YZ 250 N/S/T 2T	85-87	CK2280		CSK103	DRC035				CT060
YZ 250 2T	88-92	CK2309		CSK081	DRC031				CT020
YZ 250 2T	89-90	CK2309		CSK024					CT020
YZ 250 2T	93-99	CK2274	CKF2274	CSK081	DRC071				CT020

CLUTCH APPLICATIONS

EBC CLUTCH KITS

MAKE & MODEL	MODEL YEAR	CK Series #	CKF Series #	Spring Kit #	DRC Series #	DRCF Series #	SRC Series #	SRK Series #	CT Tool #
YAMAHA Contd.									
YZ 250 M/N 2T	00-01	CK2274	CKF2274	CSK049	DRC097				CT020
YZ 250 2T	02-22	CK2274	CKF2274	CSK092	DRC113	DRCF113			CT020
YZ 250 F 4T	01-07	CK2355	CKF2355	CSK191	DRC109	DRCF109			CT005
YZ 250 F 4T	08-13	CK2355	CKF2355	CSK137	DRC227	DRCF227			CT005
YZ 250 FE/FF 4T	14-15	CK2355	CKF2355	CSK214	DRC288	DRCF288			CT005
YZ-F 250 4T	16-19	CK2361	CKF2361	CSK214	DRC313	DRCF313			
YZ 250 F Anniversary Ed	16	CK2355	CKF2355	CSK214	DRC288	DRCF288			CT020
YZ-F 250 4T	19-21	CK2387	CKF2387	CSK214	DRC315	DRCF315			
YZ-F 250 4T	22-24	TBC	TBC	TBC	TBC	TBC			
MTN 320 A MT03 321cc	16	CK1193		CSK219			SRC128	SRK128	CT080
MT-03 321cc	12-21	CK1193		CSK219			SRC128	SRK128	CT080
YZF-R3 321cc/ABS	15-21	CK1193		CSK219			SRC128	SRK128	CT080
R5/5A/5B 350cc	70-72	CK2240		CSK039					CT008
RD 350/A/B	73-75	CK2240		CSK039					CT008
RD 350 LC/YPVS	80-84	CK2240		CSK002					CT008
RD 350 N/F/F2/R	85-95	CK2240		CSK002					CT008
TT 350 A 3GJ	90-95	CK2240		CSK014	DRC056				CT008
TT 350 ITJ	85-89	CK2240		CSK014	DRC056				CT008
XT 350	85-95	CK2240		CSK014	DRC056				CT008
YFM 350 FE Big Bear	86-93	CK2290	CKF2290	CSK058	DRC033	DRCF033			CT090SP
YFM 350 F	94-97	CK2290	CKF2290	CSK049	DRC082				CT090SP
YFM 350 X	92-04	CK2290	CKF2290	CSK058	DRC033	DRCF033			CT090SP
YFM 350 ER	92-94	CK2290	CKF2290	CSK058	DRC033	DRCF033			CT090SP
YFM 350 ERG	95	CK2290	CKF2290	CSK049	DRC082				CT090SP
YFM 350 FX Wolverine All models	95-04	CK2240		CSK081	DRC228				CT008
YFM 350 UH/UJ	96-97	CK2290	CKF2290	CSK049	DRC082				CT090SP
YFM 350 Raptor	04-09	CK2290	CKF2290	CSK058	DRC033	DRCF033			CT090SP
YFZ 350 Banshee	87-09	CK2279	CKF2279	CSK002	DRC043	DRCF043			CT008
DT 400	75-76	CK2240		CSK002					CT008
DT 400 MX	77-79	CK2290	CKF2290	CSK002					CT008
FZ 400 N IFK/33M/46X	85	CK2255	CKF2255	CSK014					CT008
FZ 400 4YR1	96	CK2371		CSK035					CT010
FZR 400 RR 4DX	92	CK2317		CSK185			SRC006	SRK006	CT010
FZR 400 Genesis 1WG	86	CK2317		CSK185			SRC006	SRK006	CT010
FZR 400 RSP 2TK-EXUP	87	CK2315		CSK185			SRC007	SRK007	CT010
FZR 400 3EN1/3EN2	88-89	CK2317		CSK185			SRC006	SRK006	CT010
RD 400 C/D/E/F	76-79	CK2240		CSK002					CT008
SR 400 3HT1	88	CK2296		CSK014					CT008
SR 400 2RD	14-16	CK2296		CSK014					CT008
SRX 400 3VN1/3VN2/3VN5	90-96	CK2297	CKF2297	CSK081					CT008
XJR 400	93-96	CK2255	CKF2255	CSK081					CT008
XJR 400	95-99	CK2255	CKF2255	CSK081					CT008
XS 400	78-79	CK2279	CKF2279	CSK002					CT008
XS 400	82	CK2262		CSK002					CT017
XS 400 SE	80	CK2279	CKF2279	CSK002					CT008
XVS 400	96	CK2299		CSK091					CT020
YFM 400 F Kodiak	93-00	CK2290	CKF2290	CSK049	DRC082				CT090SP
YFM 400 F Big Bear	03-04	CK2290	CKF2290	CSK049	DRC082				CT090SP
YZ 400 D/E/F 2T	77-79	CK2279	CKF2279	CSK002					CT008
YZ 400 F 4T	98-99	CK2310		CSK181	DRC265				CT008
WR 400 F 4T	98-01	CK2310		CSK049	DRC099				CT008
IT 425 G	80	CK2279	CKF2279	CSK002					CT008
WR 426 F 4T	01-02	CK2356	CKF2356	CSK062	DRC110				CT020
YZ 426 FM 4T	00	CK2352	CKF2352	CSK181	DRC102				CT020
YZ 426 FN/FP 4T	01-02	CK2356	CKF2356	CSK092	DRC116				CT020
WR 450 FR 4T	03	CK2356	CKF2356	CSK062	DRC110				CT020
WR 450 FS 4T	04	CK2352	CKF2352	CSK062	DRC263				CT020
WR-F 450	16-21	CK2274	CKF2274	CSK037	DRC298	DRCF298			CT020
YZ 450 FR/FS 4T	03-04	CK2352	CKF2352	CSK092	DRC121				CT020
YZ 450 FT/FV 4T	05-06	CK2352	CKF2352	CSK058	DRC162				CT020
YZ 450 F 4T	07-13	CK2274	CKF2274	CSK037	DRC195	DRCF195			CT020
YZ-F 450 4T	14-21	CK2274	CKF2274	CSK213	DRC287	DRCF287			CT020
YZ 450 FG	16	CK2274	CKF2274	CSK213	DRC287	DRCF287			CT020
YZ 450 FG 60th Anniversary Ed	16	CK2274	CKF2274	CSK213	DRC287	DRCF287			CT020
YFZ 450 S/T/V Quad	04-06	CK2364	CKF2364	CSK187	DRC159	DRCF159			CT020
YFZ 450 W/X Quad	07-09	CK2364	CKF2364	CSK058	DRC201	DRCF201			CT020
YFZ 450 B/D	13-14	CK2364	CKF2364	CSK092					CT020
YFZ 450 RX/RV Quad	09-10	CK2364	CKF2364	CSK058	DRC201	DRCF201			CT020
YFZ 450 R	11-14	CK2274	CKF2274	CSK058					CT020
YFZ 450 R Quad	14-21	CK2389		TBC	DRC322				
IT 465 H/J	81-82	CK2279	CKF2279	CSK002					CT008
YZ 465 G/H	80-81	CK2279	CKF2279	CSK002					CT008
IT 490 L	84	CK2280		CSK002	DRC032				CT060
YZ 490	82-88	CK2280		CSK002	DRC032				CT060
RD 500 LC	84-86	CK2305		CSK014					CT017
RZV 500 R 51X	85	CK2305		CSK014					CT017

CLUTCH APPLICATIONS

EBC CLUTCH KITS

MAKE & MODEL	MODEL YEAR	CK Series #	CKF Series #	Spring Kit #	DRC Series #	DRCF Series #	SRC Series #	SRK Series #	CT Tool #
YAMAHA Contd.									
SR 500	78-82	CK2296		CSK014					CT008
SR 500 S 3GWS	98	CK2296		CSK014					CT008
SR 500 3GW1/4/6/7	96-98	CK2296		CSK014					CT008
WR 500 ZD	92-93	CK2280		CSK002					CT060
TT 500 G/H	80-81	CK2296		CSK014					CT008
XP 500 T-Max Scooter - All models	01-11	CK2378		CSK189			SRC099	SRK099	
XT 500 C	76	CK2334		CSK014					CT008
XT 500	77-81	CK2296		CSK014					CT008
XS 500 B	77	CK2255	CKF2255	CSK014					CT008
XS 500 C/D	78-79	CK2255	CKF2255	CSK014					CT008
T Max 530 ABS	12-21	CK2382		CSK267	DRC284				
T Max 530 DX ABS	17-21	CK2382		CSK267	DRC284				
T Max 530 SX ABS	17-21	CK2382		CSK267	DRC284				
T Max 530 Black Max ABS	13	CK2382		CSK267	DRC284				
T Max 530 Bronze Max ABS	14	CK2382		CSK267	DRC284				
T Max 530 Iron Max ABS	15	CK2382		CSK267	DRC284				
XV 535/535 S Virago	88-03	CK2299		CSK091					CT020
XJ 550	81	CK2306	CKF2306	CSK014					CT008SP
XJ 550 H/J/K Maxim	81-83	CK2306	CKF2306	CSK014					CT008SP
XJ 550 RH/RJ/RK Seca	81-83	CK2306	CKF2306	CSK014					CT008SP
XT 550	82	CK2310		CSK014					CT008
XT 550	83	CK2297	CKF2297	CSK014			SRC072	SRK072	CT008
XZ 550	82	CK2296		CSK014					CT008
FZ 600	87-88	CK2255	CKF2255	CSK014					CT008SP
FZR 600	89-93	CK2315		CSK185			SRC007	SRK007	CT010
FZR 600 R 4JH1/4	94-95	CK2332	CKF2332	CSK081					CT054SP
FZ6 1B3/1B3D	04-07	CK2255	CKF2255	CSK017			SRC051	SRK051	CT008SP
FZ6 NS 1B35/1B6	05-06	CK2255	CKF2255	CSK017			SRC051	SRK051	CT008SP
FZ6 S2 5S51/5S5	07-09	CK2255	CKF2255	CSK017			SRC051	SRK051	CT008SP
FZ6 Fazer - Half Fairing 5VX/5VXL	04-07	CK2255	CKF2255	CSK017			SRC051	SRK051	CT008SP
FZ6 Fazer - Half Fairing-ABS	06-07	CK2255	CKF2255	CSK017			SRC051	SRK051	CT008SP
FZ6 Fazer S2 - Half Fairing-4S81/4S8	07-09	CK2255	CKF2255	CSK017			SRC051	SRK051	CT008SP
FZ6 Fazer S2-Half Fairing-ABS-5S2	08	CK2255	CKF2255	CSK017			SRC051	SRK051	CT008SP
FZS 600 Fazer	98-99	CK2347		CSK002					CT054SP
FZS 600 Fazer/SP	00-03	CK2347		CSK081					CT054SP
SRX 600	86-87	CK2297	CKF2297	CSK014			SRC072	SRK072	CT008
SRX 600 1JK/3SX	85-91	CK2297	CKF2297	CSK014			SRC072	SRK072	CT008
TT 600 L Kick Start Only	84	CK2297	CKF2297	CSK002	DRC057				CT008
TT 600 N 59X- 59X 000101-7852	85-88	CK2297	CKF2297	CSK002	DRC057				CT008
TT 600 W 2JT/3SU1-59X 7853 Onwards	89-92	CK2297	CKF2297	CSK002	DRC057				CT008
TT 600 R 5CH1 Kick Start Only	97	CK2297	CKF2297	CSK002	DRC057				CT008
TT 600 R 5CH2 Kick Start Only	98-99	CK2297	CKF2297	CSK002	DRC057				CT008
TT 600 R 5CH3/4 Kick Start Only	00-02	CK2297	CKF2297	CSK002	DRC057				CT008
TT 600 RE 5CH5 Electric Start	04	CK2297	CKF2297	CSK014	DRC088				CT008
TT 600 E Electric Start	94-01	CK2297	CKF2297	CSK014	DRC088				CT008
TT 600 K Kick Start Only	93-96	CK2297	CKF2297	CSK002	DRC057				CT008
XJ 600	84-92	CK2255	CKF2255	CSK014					CT008SP
XJ 600 S Diversion	92-03	CK2255	CKF2255	CSK014					CT008SP
XJ 600 N	95-03	CK2255	CKF2255	CSK014					CT008SP
XJ6-N 600cc-ABS	09-15	CK2306	CKF2306	CSK017			SRC127	SRK127	CT008SP
XJ6-F Diversion Faired-ABS-1CW	10-15	CK2306	CKF2306	CSK017			SRC127	SRK127	CT008SP
XJ6-S Diversion Faired-ABS-36C	09-15	CK2306	CKF2306	CSK017			SRC127	SRK127	CT008SP
XJ6-SP Diversion-ABS	13	CK2306	CKF2306	CSK017			SRC127	SRK127	CT008SP
XT 600	84-87	CK2297	CKF2297	CSK002	DRC057				CT008
XT 600 Z	84-85	CK2297	CKF2297	CSK002	DRC057				CT008
XT 600 Z Kick & Electric Start	86-90	CK2297	CKF2297	CSK014	DRC088	DRCF088			CT008
XT 600 E Electric Start	90-03	CK2297	CKF2297	CSK014	DRC088	DRCF088			CT008
YX 600 Radian	86-90	CK2255	CKF2255	CSK014					
YZF 600 Thunder Cat	96-03	CK2332	CKF2332	CSK102			SRC033	SRK033	CT054SP
YZF 600 R R6 8 plate	99-02	CK2255	CKF2255	CSK017			SRC051	SRK051	CT008SP
YZF-R6 8 plate	03-05	CK2255	CKF2255	CSK092			SRC074	SRK074	CT008SP
YZF R6 9 plate	06-17	CK2318	CKF2318	CSK126			SRC087	SRK087	CT008SP
YZF R6 8 Plate	18-24	CK2358		CSK126			SRC160	SRK160	CT008SP
XJ 650	80-84	CK2255	CKF2255	CSK081					CT008SP
XJ 650 Turbo	82	CK2255	CKF2255	CSK014					CT008SP
XJ 650 G/H/J/K Maxim	80-83	CK2255	CKF2255	CSK081					CT008SP
XJ 650 LH Midnight	81	CK2255	CKF2255	CSK081					CT008SP
XJ 650 R/LK Seca	82-83	CK2255	CKF2255	CSK014					CT008SP
XS 650	75-76	CK2226		CSK014					CT074
XS 650	77-79	CK2226		CSK002					CT074
XS 650	80-81	CK2242		CSK014					CT074
XS 650 SE	79-81	CK2242		CSK014					CT074
XVS 650 Dragstar	97-04	CK2309		CSK091					CT020
XVS 650 A Dragstar Classic	98-07	CK2309		CSK091					CT020
MT-03 660cc	06-12	CK2368		CSK123					CT020
SZR 660	96-97	CK2297	CKF2297	CSK014	DRC088	DRCF088			CT008

CLUTCH APPLICATIONS

EBC CLUTCH KITS

MAKE & MODEL	MODEL YEAR	CK Series #	CKF Series #	Spring Kit #	DRC Series #	DRCF Series #	SRC Series #	SRK Series #	CT Tool #
YAMAHA Contd.									
XTZ 660 Tenere	91-97	CK2297	CKF2297	CSK014	DRC088	DRCF088			CT008
XT 660 X Supermoto	04-09	CK2368		CSK123					CT020
XT 660 X Supermoto 10S7	10-16	CK2368		CSK123					CT020
XT 660 R	04-07	CK2368		CSK123					CT020
XT 660 R	08-09	CK2368		CSK123					CT020
XT 660 R	10-16	CK2368		CSK123					CT020
XT 660 Z Tenere	08-16	CK2368		CSK123					CT020
XT 660 ZA Tenere ABS	11-16	CK2368		CSK123					CT020
YFM 660 R Raptor	01-05	CK2297	CKF2297	CSK014	DRC088	DRCF088			CT008
MT-07 689cc	14-21	CK2309		CSK037			SRC125	SRK125	CT020
MT-07A ABS 689cc	14-24	CK2309		CSK037			SRC125	SRK125	CT020
MT-07 Motocage ABS 689cc	15	CK2309		CSK037			SRC125	SRK125	CT020
FZX 700 Fazer	86-87	CK2255	CKF2255	CSK017			SRC051	SRK051	CT008SP
YFM 700 R	06-14	CK2364	CKF2364	CSK037	DRC128	DRCF128			CT020
YFM 700 RSE	13-14	CK2364	CKF2364	CSK037	DRC128	DRCF128			CT020
XSR 700 ABS MTM 690-U	16	CK2309		CSK037			SRC125	SRK125	CT020
FZ 750	85-86	CK2255	CKF2255	CSK017			SRC051	SRK051	CT008SP
FZ 750	87-92	CK2306	CKF2306	CSK017					CT008SP
FZX 750	87	CK2306	CKF2306	CSK017					CT008SP
FZR 750	87	CK2308		CSK017			SRC008	SRK008	CT008SP
FZR 750 R OW01	89-90	CK2318	CKF2318	CSK017			SRC009	SRK009	CT008SP
XJ 750	82-83	CK2255	CKF2255	CSK014					CT008SP
XJ 750 RF/RJ/RK Seca	81-83	CK2255	CKF2255	CSK014					CT008SP
XS 750	77-79	CK2279	CKF2279	CSK014					CT008SP
XS 750 SE	79-80	CK2279	CKF2279	CSK014					CT008SP
XTZ 750	89-95	CK2255	CKF2255	CSK187					CT008
XV 750 SE	81	CK2274	CKF2274	CSK081					CT020
XV 750 Virago	92-97	CK2274	CKF2274	CSK081					CT020
YZF 750 R/SP	93-97	CK2318	CKF2318	CSK017			SRC009	SRK009	CT008SP
YZF7R OW02	99-00	CK2353							CT020
FZ8 N-800cc	11-15	CK2364	CKF2364	CSK119			SRC126	SRK126	CT020
FZ8 NA-800cc ABS	11-15	CK2364	CKF2364	CSK119			SRC126	SRK126	CT020
Fazer 8 S-800cc Top Fairing	11-15	CK2364	CKF2364	CSK119			SRC126	SRK126	CT020
Fazer 8 SA-800cc Top Fairing ABS	11-15	CK2364	CKF2364	CSK119			SRC126	SRK126	CT020
TDM 850	91-95	CK2255	CKF2255	CSK017					CT008
TDM 850	96-98	CK2318	CKF2318	CSK017			SRC009	SRK009	CT008
TDM 850	99-01	CK2318	CKF2318	CSK092					CT008
TRX 850	96-98	CK2318	CKF2318	CSK017			SRC009	SRK009	CT008
XS 850	80	CK2273		CSK014					CT008SP
MT-09 1RC-847cc	14-21	CK2352	CKF2352	CSK119			SRC124	SRK124	CT020
MT-09 Tracer ABS 847cc	14-19	CK2352	CKF2352	CSK119			SRC124	SRK124	CT020
MT-09 Tracer ABS 847cc	20-24	TBC	TBC	TBC			TBC	TBC	
MT-09A 2DR-847cc-ABS	14-21	CK2352	CKF2352	CSK119			SRC124	SRK124	CT020
MT-09A Sport Tracker-847cc-ABS	14-21	CK2352	CKF2352	CSK119			SRC124	SRK124	CT020
MT-09A Street Rally-847cc-ABS	14-21	CK2352	CKF2352	CSK119			SRC124	SRK124	CT020
TDM 900 5PS/	02-14	CK2318	CKF2318	CSK037					CT008
TDM 900 A 2B0/ABS	05-13	CK2318	CKF2318	CSK037					CT008
XJ 900	83	CK2255	CKF2255	CSK049					CT008SP
XJ 900	90	CK2255	CKF2255	CSK049					CT008SP
XJ 900 F	85-92	CK2255	CKF2255	CSK017					CT008SP
XJ 900 S Diversion	95-03	CK2255	CKF2255	CSK187					CT008SP
XSR 900 ABS	18-21	CK2388		CSK268			SRC162	SRK162	
XV 950 Racer	15-16	CK2379		CSK911					CT017
XVS 950 A Midnight Star	09-13	CK2379		CSK911					CT017
XV 950 - XVS	14	CK2379		CSK911					CT017
XV 950 CU - XVS 1XC1-ABS	14-16	CK2379		CSK911					CT017
XV 950 R - XVS R 2DE	14-16	CK2379		CSK911					CT017
FZ1 1000cc 2D11	06-09	CK2356	CKF2356	CSK119			SRC077	SRK077	CT020
FZ1-N-NA-ABS	10-15	CK2356	CKF2356	CSK119			SRC077	SRK077	CT020
FZ1 Fazer 1000cc 3C3-Half Fairing	06-15	CK2356	CKF2356	CSK119			SRC077	SRK077	CT020
FZ1 Fazer Half Fairing - ABS - 5D0	08-15	CK2356	CKF2356	CSK119			SRC077	SRK077	CT020
FZR 1000 2RG - Genesis	87-88	CK2308		CSK017			SRC008	SRK008	CT008SP
FZR 1000 3GM-EX-UP Models	89-92	CK2321		CSK037			SRC031	SRK031	CT008SP
FZR 1000 3GME- EX-UP Models	93-95	CK2327		CSK037			SRC029	SRK029	CT008SP
FZS 1000 Fazer	01-05	CK2358		CSK037					CT008SP
GTS 1000	93-96	CK2327		CSK037			SRC029	SRK029	CT008SP
MT-10 998cc	16	CK4510	CKF4510	CSK218			SRC129	SRK129	CT079SP
XV 1000 TR1	81	CK2274	CKF2274	CSK014					CT020
XV 1000	86	CK2274	CKF2274	CSK014					CT020
YXR 1000 R EPS Side X Side YXZ10PXG	16	TBC		TBC					
YXR 1000 SE Side X Side	16	TBC		TBC					
YZF 1000 Thunder Ace	96-02	CK2327		CSK037			SRC029	SRK029	CT008SP
YZF R1 4XV1/2	98	CK2226		CSK903			SRC056	SRK056	CT017
YZF R1	99-03	CK2350		CSK903			SRC065	SRK065	CT017
YZF R1	04-06	CK2356	CKF2356	CSK119			SRC077	SRK077	CT020
YZF R1 SP 4B11 & 5VYE	06	CK2356	CKF2356	CSK211			SRC093	SRK093	CT020

EBC CLUTCH KITS

MAKE & MODEL	MODEL YEAR	CK Series #	CKF Series #	Spring Kit #	DRC Series #	DRCF Series #	SRC Series #	SRK Series #	CT Tool #
YAMAHA Contd.									
YZF R1 4C8	07-08	CK2356	CKF2356	CSK211			SRC093	SRK093	CT020
YZF R1	09-14	CK2352	CKF2352	CSK211			SRC096	SRK096	CT020
YZF R1	15-24	CK4510	CKF4510	CSK218			SRC129	SRK129	CT079SP
YZF R1M	15-24	CK4510	CKF4510	CSK218			SRC129	SRK129	CT079SP
YZF R1 Anniversary Edition	16	CK4510	CKF4510	CSK218			SRC129	SRK129	CT079SP
BT 1100 Bulldog	02-06	CK2274	CKF2274						CT020
XS 1100/1100 S	78-81	CK2230		CSK014					CT077SP
XV 1100 Virago	89-00	CK2274	CKF2274						CT020
XVS 1100 A Dragstar Classic	00-07	CK2274	CKF2274						CT020
XVS 1100 Dragstar	99-04	CK2274	CKF2274						CT020
FJ 1100	84-85	CK2285		CSK903					CT017
FJ 1200/1200 A	86-95	CK2285		CSK903					CT017
XT 1200 Z Super Tenere ABS	10-16	CK2362		CSK903			SRC131	SRK131	CT017
XT 1200 ZE Super Tenere ABS	14-16	CK2362		CSK903			SRC131	SRK131	CT017
XVZ 12 TD	85	CK2300		CSK046					CT050SP
V-Max All models	91-03	CK2300		CSK906					CT050SP
XJR 1200	95-98	CK2285		CSK903					CT017
FJR 1300 N/P	01-02	CK2362		CSK903			SRC131	SRK131	CT017
FJR 1300 ABS	03-05	CK2362		CSK903			SRC131	SRK131	CT017
FJR 1300 A 1CY	06-15	CK2362		CSK903			SRC131	SRK131	CT017
FJR 1300 AE Electronic Suspension	14-15	CK2362		CSK903			SRC131	SRK131	CT017
FJR 1300 AS Electric G/Shift	06-15	CK2362							CT017
XJR 1300 L 5EA2/5EA3/5EA4	99	CK2285		CSK903					CT017
XJR 1300 M 5EAA/5EAB/5EAC	00	CK2285		CSK903					CT017
XJR 1300 5EA1/5EA7	98-99	CK2285		CSK903					CT017
XJR 1300 5EA9/5EAG	00	CK2285		CSK903					CT017
XJR 1300 C/Racer	15-16	CK2285		CSK903					CT017
XJR 1300 N-P	01-02	CK2285		CSK903					CT017
XJR 1300 R-S	03-04	CK2285		CSK903					CT017
XJR 1300	05-14	CK2285		CSK903					CT017
XJR 1300 SP L	99	CK2285		CSK903					CT017
XJR 1300 SP M	00	CK2285		CSK903					CT017
XJR 1300 SP N	01	CK2285		CSK903					CT017
XVZ 13 Royal Star All models	96-01	CK2300		CSK906					CT050SP
XVS 1300 A Midnight Star	07-16	CK2362		CSK903			SRC131	SRK131	CT017
XVS 1300 CU Custom	14-16	CK2362		CSK903			SRC131	SRK131	CT017
XVS 1300 ACFD Midnight Star-Casual Full Dresser	14-16	TBC		TBC					
XV 1600 A Wild Star	99-04	CK2351		CSK906					CT050SP
MT-01 1670cc	05-09	CK2366		CSK903					CT017
MT-01S 1670cc	09	CK2366		CSK903					CT017
XV 1700 PCR Road Star Warrior	03-05	CK2363		CSK906					CT050SP
XV 1700 V-Max	09-16	CK2380		CSK903					CT017
XV 1900 A Midnight Star Diaphragm Spring	06-12	CK2367		CSK903					CT017
XV 1900 A Midnight Star 3 Spring Clutch	13-16	TBC		TBC					
XV 1900 Midnight Star-Casual Full Dresser	14-16	TBC		TBC					
AJP									
PR5 250 Trials	13-17	CK1318		CSK226	DRC300				CT091
PR5 250 Supermoto	13-17	CK1318		CSK226	DRC300				CT091
PR5 250 Enduro	13-17	CK1318		CSK226	DRC300				CT091
PR5 250 Extreme	13-17	CK1318		CSK226	DRC300				CT091
APRILIA									
AF1 Futura 50	90-92	CK2348							
Classic 50	92-01	CK2348							
Europa 50	90-92	CK2348							
MX 50	03-05	CK2348							
Pegaso 50	92-94	CK2348							
RS 50	93-05	CK2348							
RS 50	06-10	CK5604		CSK143					CT026
RX3-5 Marce	91-94	CK2348							
RX 50 All models	91-05	CK2348							
RX 50	06-09	CK5604		CSK143					CT026
SX 50	06-09	CK5604		CSK143					
Tuono 50	03-04	CK2348							
AF1 125	87-91	CK5598		CSK190	DRC247				CT034SP
Classic 125	95-01	CK5598		CSK190	DRC247				CT034SP
MX 125	04-06	CK5598		CSK190	DRC247				CT034SP
Pegaso 125	91-95	CK5598		CSK190	DRC247				CT034SP
Red Rose 125 Cast Wheel	87	CK5598		CSK190	DRC247				CT034SP
Red Rose 125 Spoke Wheel	88-94	CK5598		CSK190	DRC247				CT034SP
RS 125 2T	92-14	CK5598		CSK190	DRC247				CT034SP
RX 125	92-98	CK5598		CSK190	DRC247				CT034SP
Tuono 125	03-04	CK5598		CSK190	DRC247				CT034SP
RS 250	95-02	CK3333		CSK007					CT022
Pegaso Strada/Trial	05-06	CK2368		CSK123					CT020

EBC CLUTCH KITS

MAKE & MODEL	MODEL YEAR	CK Series #	CKF Series #	Spring Kit #	DRC Series #	DRCF Series #	SRC Series #	SRK Series #	CT Tool #
APRILIA Contd.									
ETV 1000 Caponord/Rally PS00/PSB0									
Non ABS Models	01-03	CK4434		CSK200			SRC117	SRK117	
ETV Caponord PS004 ABS Model	04-08	CK4434		CSK200			SRC117	SRK117	
RST 1000 Futura	01-04			CSK200					
RSV 1000 Mille	01-02	CK6680		CSK200					
RSV 1000 R Mille	01-02	CK6680		CSK200					
RSV 1000 SP	99-00	CK6680		CSK200					
RSV 1000 Mille	00	CK6680		CSK200					
RSV 1000 Mille R	00	CK6680		CSK200					
RSV 1000 R Factory	04-08	CK6680		CSK200					
RSV 1000 R	04-08	CK6680		CSK200					
RSV 1000 R Tuono	02-06	CK6680		CSK200					
RSV-R 1000 Tuono Factory	06-09	CK6681		CSK184			SRC113	SRK113	
SL 1000 Falco	00-04	CK6680		CSK200					
RSV4 Factory SBK Racing	09-10	CK6681		CSK184			SRC113	SRK113	
RSV4 Factory APRC	11-13	CK6681		CSK184			SRC113		
RSV4R	10	CK6681		CSK184			SRC113	SRK113	
RSV4R APRC	11-13	CK6681		CSK184			SRC113		
ARCTIC CAT ATV 4 WHEELERS									
250 2 x 4 / 4 x 4	01-04	CK3390		CSK048	DRC089				CT011
250 2 x 4 / 4 x 4	05	CK3390		CSK048	DRC089				CT011
300 2 x 4 / 4 x 4	98-04	CK3356		CSK048	DRC103				CT011
300 4 x 4	05	CK3356		CSK048	DRC103				CT011
400 2 x 4 / 4 x 4	98-	CK4439	CKF4439	CSK088	DRC215				CT006
400 2 x 4	98	CK4439	CKF4439	CSK088	DRC214				CT006
400 2 x 4 / 4 x 4	00-02	CK4419		CSK088	DRC215				CT006
400 2 x 4 / 4 x 4	03-04	CK4439	CKF4439	CSK098	DRC120				CT006
400 4 x 4 Manual	05-08	CK4439	CKF4439	CSK098	DRC120				CT006
400 DVX	04-06	CK3433	CKF3433	CSK079	DRC105	DRCF105			CT006
400 DVX	07-08	CK3447	CKF3447	CSK079	DRC137	DRCF137			CT006
Bearcat 454 4 x 4	96-98	CK4439	CKF4439	CSK088	DRC216				CT006
Bearcat 454 2 x 4	97-98	CK4439	CKF4439	CSK088	DRC216				CT006
500 4 x 4	98-02	CK4439	CKF4439	CSK088	DRC214				CT006
500 4 x 4 Manual	03-04	CK3452		CSK007	DRC216				CT006
500 Manual 4 x 4	05-09	CK3452		CSK007	DRC216				CT006
BENELLI									
Leoncino 500	17-19	CK1230		CSK241			SRC141	SRK141	CT014SP
Leoncino Trail 500	18-19	CK1230		CSK241			SRC141	SRK141	CT014SP
TRK 502 ABS Euro 4	17-18	CK1230		CSK241			SRC141	SRK141	CT014SP
TRK 502 X	18-19	CK1230		CSK241			SRC141	SRK141	CT014SP
BN 600 GT	14-17	CK1230		CSK241			SRC141	SRK141	CT014SP
BN 600 i	14-17	CK1230		CSK241			SRC141	SRK141	CT014SP
BN 600 R	14-15	CK1230		CSK241			SRC141	SRK141	CT014SP
BN 600 S	14-15	CK1230		CSK241			SRC141	SRK141	CT014SP
BETA									
Enduro RR 250 2T	18-20	CK5672							
Enduro RR 300 2T	18-20	CK5672							
Enduro RR 350 4T	18-20	CK5672							
Enduro RR 390 4T	18-20	CK5672							
Enduro RR 400 4T	10-15	CK2364			DRC333				
Enduro RR 430 4T	18-20	CK5672							
Enduro RR 450 4T	10-15	CK2364			DRC333				
Enduro RR 480 4T	18-20	CK5672							
BMW									
R45/R 45 N	81-	CK6601							
R65 All models	81-	CK6601							
R80 All models	80-	CK6601							
R100 All models	80-	CK6601							
R45/R 45 N	78-80	CK6602							
R65	78-80	CK6602							
R50/5	69-72	CK6603							
R60/5-7	69-80	CK6603							
R75 All models	69-	CK6603							
R80/7 N-S	77-80	CK6603							
R90/6, S	73-76	CK6603							
R100/7 T, S, RT, RS	76-80	CK6603							
K75 All models	85-	CK6604							
K100 All models	83-	CK6605							
K1	89-	CK6605							
R100 RS	86-92	CK6601							
R100 RT	87-95	CK6601							
R45	80-85	CK6601							

CLUTCH APPLICATIONS

EBC CLUTCH KITS

MAKE & MODEL	MODEL YEAR	CK Series #	CKF Series #	Spring Kit #	DRC Series #	DRCF Series #	SRC Series #	SRK Series #	CT Tool #
BMW Contd.									
R45/N	80-85	CK6601							
R45 T	80-85	CK6601							
R45 T/N	80-85	CK6601							
R65	80-85	CK6601							
R65 LS	81-85	CK6601							
R65 T	80-85	CK6601							
R65 GS	87-92	CK6601							
R80 GS	80-87	CK6601							
R80 ST	82-84	CK6601							
R80	80-84	CK6601							
R80 RT	82-84	CK6601							
R80 TIC	80-85	CK6601							
R100/7 T	80-84	CK6601							
R100 CS	80-84	CK6601							
R100 RS	80-84	CK6601							
R100 RT	80-84	CK6601							
R100 TIC	80-84	CK6601							
R65/20	85-93	CK6601							
R65/35	85-88	CK6601							
R65 RT	85-88	CK6601							
R80	84-95	CK6601							
R80 RT	84-95	CK6601							
R100 GS	86-90	CK6601							
R100 PD	89-90	CK6601							
R80 GS	87-90	CK6601							
R80 PD/CH	90	CK6601							
R100 MYS	93-96	CK6601							
R100 R	91-95	CK6601							
R80 MYS	94-95	CK6601							
R80 R	91-94	CK6601							
R80 GS	96	CK6601							
R45	78-80	CK6602							
R45 N	78-80	CK6602							
R65	78-80	CK6602							
R50/5	69-73	CK6603							
R60/5	69-73	CK6603							
R60/6	73-76	CK6603							
R75/5	69-73	CK6603							
R75/6	73-76	CK6603							
R90/6	73-79	CK6603							
R90 S	73-76	CK6603							
R60/7	76-80	CK6603							
R60 TIC	78-80	CK6603							
R75/7	76-79	CK6603							
R80	77-80	CK6603							
R80 TIC	78-80	CK6603							
R100	76-77	CK6603							
R100/7T	77-80	CK6603							
R100 RS	76-80	CK6603							
R100 RT	78-80	CK6603							
R100 S	76-80	CK6603							
K75	84-96	CK6604							
K75/2	84-96	CK6604							
K75 C	85-88	CK6604							
K75 RT	89-96	CK6604							
K75 S	85-95	CK6604							
K100	82-88	CK6605							
K100/2	87-90	CK6605							
K100 LT	86-91	CK6605							
K100 RT	83-89	CK6605							
K1	88-93	CK6605							
K100 RS	89-92	CK6605							
K1100 LT	89-99	CK6605							
K1100 RS	92-96	CK6605							
F650 E169/0161/Standard	93-96	CK5605		CSK104					
F650 E169/0162/ Funduro	97-00	CK5605		CSK104					
F650 CS/Scarver K14/0174/0184	00-03	CK5636		CSK104					
F650 CS/Scarver K14/0177/0187	04-07	CK5635		CSK104					
F650 GS R13/0172/0182	99-03	CK5636		CSK104					
F650 GS R13/0175/0185	04-07	CK5635		CSK104					
F650 GS Late type plates 2 x 13mm/7 x 14mm ears	07-17	CK5660		CSK240		SRC130	SRK130	CT085	
F650 GS Dakar R13/0173/0183	99-03	CK5636		CSK104					
F650 GS Dakar R13/0176/0186	04-07	CK5635		CSK104					
F650 ST E169/0163/0168	97-00	CK5605		CSK104					
F700 GS Late type plates 2 x 13mm/7 x 14mm ears	11-17	CK5660		CSK240		SRC130	SRK130	CT085	
F750 GS 0B08, 0B018, 0B28 & 0B38	16-22	CK5685		CSK271		SRC170	SRK170	TBC	

CLUTCH APPLICATIONS

EBC CLUTCH KITS

MAKE & MODEL	MODEL YEAR	CK Series #	CKF Series #	Spring Kit #	DRC Series #	DRCF Series #	SRC Series #	SRK Series #	CT Tool #
BMW Contd.									
F800 GS Late type plates 2 x 13mm/7 x 14mm ears	08-19	CK5660		CSK240			SRC130	SRK130	CT085
F800 GS Adventure Late type plates 2 x 13mm/7 x 14mm ears	12-19	CK5660		CSK240			SRC130	SRK130	CT085
F800 GT Early type plates 14mm ears	04-06	CK5667		CSK240			SRC144	SRK144	CT085
F800 GT Late type plates 2 x 13mm/7 x 14mm ears	07-19	CK5660		CSK240			SRC130	SRK130	CT085
F800 S Early type plates 14mm ears	04-06	CK5667		CSK240			SRC144	SRK144	CT085
F800 S Late type plates 2 x 13mm/7 x 14mm ears	07-19	CK5660		CSK240			SRC130	SRK130	CT085
F800 ST Early type plates 14mm ears	04-06	CK5667		CSK240			SRC144	SRK144	CT085
F800 ST Late type plates 2 x 13mm/7 x 14mm ears	07-19	CK5660		CSK240			SRC130	SRK130	CT085
F800 R Late type plates 2 x 13mm/7 x 14mm ears	05-19	CK5660		CSK240			SRC130	SRK130	CT085
F 850 GS 0B09, 0B19, 0B29 & 0B39 Inc Adventure models	16-22	CK5685		CSK271			SRC170	SRK170	TBC
G 310 R	17-21	CK1253		CSK249			SRC151	SRK151	CT013
G 310 GS	17-21	CK1253		CSK249			SRC151	SRK151	CT013
G 650 GS R13	08-16	CK5635		CSK133			SRC145	SRK145	CT083
G 650 GS Sertao R13	10-14	CK5635		CSK133			SRC145	SRK145	CT083
G 650 Xcountry K15	08-10	CK5635		CSK133			SRC145	SRK145	CT083
R 1200 GS	13-18	CK5676		CSK264			SRC165	SRK165	
R 1200 GS Adventure	13-18	CK5676		CSK264			SRC165	SRK165	
R 1200 R	13-18	CK5676		CSK264			SRC165	SRK165	
R 1200 RS	14-18	CK5676		CSK264			SRC165	SRK165	
R 1250 GS	19-21	CK5676		CSK264			SRC165	SRK165	
R 1250 GS TE	19-21	CK5676		CSK264			SRC165	SRK165	
R 1250 GS Rallye	19-21	CK5676		CSK264			SRC165	SRK165	
R 1250 GS Rallye TE	19-21	CK5676		CSK264			SRC165	SRK165	
R 1250 GS Adventure	19-21	CK5676		CSK264			SRC165	SRK165	
R 1250 GS Adventure TE	19-21	CK5676		CSK264			SRC165	SRK165	
R 1250 GS Adventure Rallye	19-21	CK5676		CSK264			SRC165	SRK165	
R 1250 GS Adventure Rallye TE	19-21	CK5676		CSK264			SRC165	SRK165	
K 1300 GT	08-11	CK5682							
K 1300 R	08-12	CK5682							
K 1300 S	08-16	CK5682							
CCM									
R30 644 Suzuki Engine	02-04	CK3386		CSK004	DRC087				CT024
R35/R35S	06-07	CK3433	CKF3433	CSK079	DRC105	DRCF105			CT006
404E/DS/Supermoto	03-04	CK3433	CKF3433	CSK079	DRC105	DRCF105			CT006
604 Trial/SM/RS/R30 Rotax Engine	98-03	CK5628		CSK127	DRC165				CT040SP
644 DS/Supermoto	04	CK3386		CSK004	DRC087				CT024
CR40 S Cafe Racer	07	CK3433	CKF3433	CSK079	DRC105	DRCF105			CT006
CR40 Street	07	CK3433	CKF3433	CSK079	DRC105	DRCF105			CT006
SR40 Street Scrambler	07	CK3433	CKF3433	CSK079	DRC105	DRCF105			CT006
DERBI									
GPR 50 Nude	04-05	CK5604		CSK143					CT026
GPR 50 R	97-00	CK5604		CSK143					CT026
GPR 50 Racing	04-05	CK5604		CSK143					CT026
GPR 50 Replica	99-05	CK5604		CSK143					CT026
Senda 50 4 Plate Clutch	99-05	CK5604		CSK143					CT026
Mulhacen 659	06-07	CK2297	CKF2297	CSK014					CT008
DUCATI									
Monster 620 ie	01-06	CK5675							
899 Panigale	13-15	CK5661							
959 Panigale	17-20	CK5670							
ELSTARS Pit Bikes									
Various models Check parts before fitting		CK1308					SRC091		
GAS-GAS									
EC 125 2T	00-08	CK1293	CKF1293	CSK024	DRC206				CT001
SM 125 2T Supermotard	03-06	CK1293	CKF1293	CSK024	DRC206				CT001
EC200/250/300 2T	00-08	CK5643		CSK141	DRC207				CT009
EC 450 FSR/FSE 4T Enduro	05-08	CK5643		CSK141	DRC207				CT009
SM 450 FSR 4T Supermotard	07-08	CK5643		CSK141	DRC207				CT009
Wild HP 450 Quad	04-08	CK5643		CSK141	DRC207				CT009
EC 515 FSR/FSE 4T Enduro	05-08	CK5643		CSK141	DRC207				CT009
SM 515 FSR 4T Supermotard	07-08	CK5643		CSK141	DRC207				CT009
HARLEY-DAVIDSON® VRSC									
VRSCA V-Rod	02-06	CK7006		CSK232			SRC7007	SRK7007	CT707SP
VRSCSE CVO V-Rod	05-06	CK7006		CSK232			SRC7007	SRK7007	CT707SP
VRXSE CVO VR Destroyer	06	CK7006		CSK232			SRC7007	SRK7007	CT707SP
VRSCR Street Rod	06-07	CK7006		CSK232			SRC7007	SRK7007	CT707SP
VRSCAW V-Rod Wide Tire	07	CK7006		CSK232			SRC7007	SRK7007	CT707SP
VRSCX Screamin' Eagle V-Rod	07	CK7006		CSK232			SRC7007	SRK7007	CT707SP
VRSCAW V-Rod	09-10	CK7005		CSK233			SRC7006	SRK7006	CT706SP

CLUTCH APPLICATIONS

EBC CLUTCH KITS

MAKE & MODEL	MODEL YEAR	CK Series #	CKF Series #	Spring Kit #	DRC Series #	DRCF Series #	SRC Series #	SRK Series #	CT Tool #
HARLEY-DAVIDSON® VRSC Contd.									
VRSCAW V-Rod Wide Tire	08	CK7005		CSK233			SRC7006	SRK7006	CT706SP
VRSCAWA V-Rod Wide Tire W/ABS	08	CK7005		CSK233			SRC7006	SRK7006	CT706SP
VRSCD Night Rod	08	CK7005		CSK233			SRC7006	SRK7006	CT706SP
VRSCDA Night Rod W/ABS	08	CK7005		CSK233			SRC7006	SRK7006	CT706SP
VRSCDX ANV Night Rod Special Anv	12	CK7005		CSK233			SRC7006	SRK7006	CT706SP
VRSCDX Night Rod Special	08-17	CK7005		CSK233			SRC7006	SRK7006	CT706SP
VRSCDXA Night Rod Special W/ABS	08	CK7005		CSK233			SRC7006	SRK7006	CT706SP
VRSCF V-Rod Muscle	09-17	CK7005		CSK233			SRC7006	SRK7006	CT706S
HARLEY-DAVIDSON® TRIKE									
FLD 103 Dyna Switchback	12-16	CK7008		CSK916			SRC7012	SRK7012	CT703SP
FLD Dyna Switchback	12-16	CK7008		CSK916			SRC7013	SRK7013	CT703SP
FLHP Road King Police	11-16	CK7008		CSK914			SRC7009	SRK7009	CT703SP
FLHR Road King	17	CK7002		CSK236			SRC7010	SRK7010	CT702SP
FLHRC Road King Classic	17	CK7002		CSK236			SRC7010	SRK7010	CT702SP
FLBS Fat Boy 114	18	CK7007		CSK236			SRC7008	SRK7008	CT708SP
FLBS Fat Boy 114 Anniversary	18	CK7007		CSK236			SRC7008	SRK7008	CT708SP
HARLEY-DAVIDSON® TOURING									
FLH Electra Glide	81-83	CK7012		CSK255			SRC7018	SRK7018	CT704SP
FLH Electra Glide Shrine Shovelhead	83	CK7012		CSK255			SRC7018	SRK7018	CT704SP
FLHC Electra Glide Classic	81-82	CK7012		CSK255			SRC7018	SRK7018	CT704SP
FLHS Electra Glide Heritage	81	CK7012		CSK255			SRC7018	SRK7018	CT704SP
FLHS Electra Glide Sport	81-83	CK7012		CSK255			SRC7018	SRK7018	CT704SP
FLHT Electra Glide Classic	83	CK7012		CSK255			SRC7018	SRK7018	CT704SP
FLHT Electra Glide Standard	83	CK7012		CSK255			SRC7018	SRK7018	CT704SP
FLHT Electra Glide	83	CK7012		CSK255			SRC7018	SRK7018	CT704SP
FLHTC Electra Glide Classic	83-84	CK7012		CSK255			SRC7018	SRK7018	CT704SP
FLT Tour Glide	81-83	CK7012		CSK255			SRC7018	SRK7018	CT704SP
FLTC Tour Glide Classic	80-84	CK7012		CSK255			SRC7018	SRK7018	CT704SP
FLH Electra Glide Shrine Shovelhead	84	CK7011		CSK255			SRC7017	SRK7017	CT704SP
FLHS Electra Glide Sport	84	CK7011		CSK255			SRC7017	SRK7017	CT704SP
FLHT Electra Glide	84	CK7011		CSK255			SRC7017	SRK7017	CT704SP
FLHT Electra Glide Classic	84	CK7011		CSK255			SRC7017	SRK7017	CT704SP
FLT Classic Tour Glide Classic	84	CK7011		CSK255			SRC7017	SRK7017	CT704SP
FLT Tour Glide	84	CK7011		CSK255			SRC7017	SRK7017	CT704SP
FLHS Electra Glide Sport	84-89	CK7010		TBC			SRC7016	SRK7016	CT705SP
FLHT Electra Glide	84	CK7010		TBC			SRC7016	SRK7016	CT705SP
FLHT Electra Glide Classic	84	CK7010		TBC			SRC7016	SRK7016	CT705SP
FLHT Electra Glide Shrine Shovelhead	84	CK7010		TBC			SRC7016	SRK7016	CT705SP
FLHT Electra Glide Standard	88	CK7010		TBC			SRC7016	SRK7016	CT705SP
FLHTC Electra Glide Classic	84-89	CK7010		TBC			SRC7016	SRK7016	CT705SP
FLHTCU Electra Glide Classic Ultra	89	CK7010		TBC			SRC7016	SRK7016	CT705SP
FLST Softail Heritage	86-89	CK7010		TBC			SRC7016	SRK7016	CT705SP
FLSTC Softail Heritage Classic	87-89	CK7010		TBC			SRC7016	SRK7016	CT705SP
FLT Tour Glide	84	CK7010		TBC			SRC7016	SRK7016	CT705SP
FLTC Tour Glide Classic	84-89	CK7010		TBC			SRC7016	SRK7016	CT705SP
FLHR Road King	93-97	CK7009		TBC			SRC7014	SRK7014	CT701SP
FLHS Electra Glide Sport	91-94	CK7009		TBC			SRC7014	SRK7014	CT701SP
FLHS Touring Electra Glide Sport	90	CK7009		TBC			SRC7015	SRK7015	CT701SP
FLHT Electra Glide Standard	94-97	CK7009		TBC			SRC7014	SRK7014	CT701SP
FLHTC Electra Glide Classic	91-97	CK7009		TBC			SRC7014	SRK7014	CT701SP
FLHTC Touring Electra Glide Classic	90	CK7009		TBC			SRC7015	SRK7015	CT701SP
FLHTCI Electra Glide Classic	96-97	CK7009		TBC			SRC7014	SRK7014	CT701SP
FLHTCU Touring Electra Glide Classic Ultra	90	CK7009		TBC			SRC7015	SRK7015	CT701SP
FLHTCU Ultra Classic	91-97	CK7009		TBC			SRC7014	SRK7014	CT701SP
FLST Softail Heritage	90	CK7009		TBC			SRC7019	SRK7019	CT701SP
FLSTC Softail Heritage Classic	90-97	CK7009		TBC			SRC7019	SRK7019	CT701SP
FLSTF Fat Boy	91-97	CK7009		TBC			SRC7019	SRK7019	CT701SP
FLSTF Softail Fat Boy	90	CK7009		TBC			SRC7019	SRK7019	CT701SP
FLHPE Road King Police	11	CK7008		CSK914			SRC7009	SRK7009	CT703SP
FLHR 103 Road King	11	CK7008		CSK916			SRC7012	SRK7012	CT703SP
FLHR Road King	06-11	CK7008		CSK915			SRC7013	SRK7013	CT703SP
FLHR Road King	12-13	CK7008		CSK916			SRC7012	SRK7012	CT703SP
FLHR Road King	15-16	CK7008		CSK917			SRC7011	SRK7011	CT703SP
FLHR Road King	98-03	CK7008		CSK917			SRC7011	SRK7011	CT703SP
FLHR Road King	04-05	CK7008		CSK916			SRC7012	SRK7012	CT703SP
FLHR 96 Road King	11	CK7008		CSK915			SRC7013	SRK7013	CT703SP
FLHRANV Road King Anniversary	13	CK7008		CSK916			SRC7012	SRK7012	CT703SP
FLHRC 103 Road King Classic	11	CK7008		CSK916			SRC7012	SRK7012	CT703SP
FLHRC Road King Classic	07-11	CK7008		CSK915			SRC7013	SRK7013	CT703SP
FLHRC Road King Classic	12-13	CK7008		CSK916			SRC7012	SRK7012	CT703SP
FLHRC Road King Classic	14-16	CK7008		CSK917			SRC7011	SRK7011	CT703SP
FLHRCI Road King Classic	04	CK7008		CSK916			SRC7012	SRK7012	CT703SP
FLHRCI Road King Classic	98-03	CK7008		CSK917			SRC7011	SRK7011	CT703SP
FLHRCI Road King Classic	05	CK7008		CSK916			SRC7012	SRK7012	CT703SP

CLUTCH APPLICATIONS

EBC CLUTCH KITS

MAKE & MODEL	MODEL YEAR	CK Series #	CKF Series #	Spring Kit #	DRC Series #	DRCF Series #	SRC Series #	SRK Series #	CT Tool #
HARLEY-DAVIDSON® TOURING Contd.									
FLHRCI Road King Classic	06	CK7008		CSK915			SRC7013	SRK7013	CT703SP
FLHRI Road King	00-03	CK7008		CSK917			SRC7011	SRK7011	CT703SP
FLHRI Road King	04-05	CK7008		CSK916			SRC7012	SRK7012	CT703SP
FLHRI Road King	06	CK7008		CSK915			SRC7013	SRK7013	CT703SP
FLHRS Road King Custom	04-05	CK7008		CSK916			SRC7012	SRK7012	CT703SP
FLHRS Road King Custom	06-07	CK7008		CSK915			SRC7013	SRK7013	CT703SP
FLHRSI 1FYW Road King Custom	04-05	CK7008		CSK916			SRC7012	SRK7012	CT703SP
FLHRSI 1FYW Road King Custom	06	CK7008		CSK915			SRC7013	SRK7013	CT703SP
FLHT Electra Glide Standard	98-03	CK7008		CSK917			SRC7011	SRK7011	CT703SP
FLHT Electra Glide Standard	04-05	CK7008		CSK916			SRC7012	SRK7012	CT703SP
FLHT Electra Glide Standard	06-10	CK7008		CSK915			SRC7013	SRK7013	CT703SP
FLHTC 103 Electra Glide Classic	11	CK7008		CSK916			SRC7012	SRK7012	CT703SP
FLHTC Electra Glide Classic	04-05	CK7008		CSK916			SRC7012	SRK7012	CT703SP
FLHTC Electra Glide Classic	07-11	CK7008		CSK915			SRC7013	SRK7013	CT703SP
FLHTC Electra Glide Classic	12-13	CK7008		CSK916			SRC7012	SRK7012	CT703SP
FLHTCI Ultra Classic	05	CK7008		CSK916			SRC7012	SRK7012	CT703SP
FLHTCI Electra Glide Classic	98-03	CK7008		CSK917			SRC7011	SRK7011	CT703SP
FLHTCI Electra Glide Classic	04-05	CK7008		CSK916			SRC7012	SRK7012	CT703SP
FLHTCI Electra Glide Classic	06	CK7008		CSK915			SRC7013	SRK7013	CT703SP
FLHTCU 103 Ultra Classic	11	CK7008		CSK916			SRC7012	SRK7012	CT703SP
FLHTCU Ultra Classic	07-11	CK7008		CSK915			SRC7013	SRK7013	CT703SP
FLHTCU Ultra Classic	12-13	CK7008		CSK916			SRC7012	SRK7012	CT703SP
FLHTCU Ultra Classic	14-16	CK7008		CSK917			SRC7011	SRK7011	CT703SP
FLHTCU TC Ultra Classic Twin-Cooled	14-16	CK7008		CSK917			SRC7011	SRK7011	CT703SP
FLHTCUI Ultra Classic	04	CK7008		CSK916			SRC7012	SRK7012	CT703SP
FLHTCUI Ultra Classic	98-03	CK7008		CSK917			SRC7011	SRK7011	CT703SP
FLHTCUI Ultra Classic	06	CK7008		CSK915			SRC7013	SRK7013	CT703SP
FLHTCUTG Tri Glide Ultra Classic	09-13	CK7008		CSK914			SRC7009	SRK7009	CT703SP
FLHTCUTGANV Tri Glide Ultra Classic Anniversary	13	CK7008		CSK914			SRC7009	SRK7009	CT703SP
FLHTI Electra Glide Standard	03	CK7008		CSK917			SRC7011	SRK7011	CT703SP
FLHTI Electra Glide Standard	04-05	CK7008		CSK916			SRC7012	SRK7012	CT703SP
FLHTI Electra Glide Standard	06	CK7008		CSK915			SRC7013	SRK7013	CT703SP
FLHTK Ultra Limited	14-16	CK7008		CSK917			SRC7011	SRK7011	CT703SP
FLHTK Electra Glide Ultra Limited	10-13	CK7008		CSK916			SRC7012	SRK7012	CT703SP
FLHTKANV Electra Glide Ultra Limited Anniversary	13	CK7008		CSK916			SRC7012	SRK7012	CT703SP
FLHTP Electra Glide Standard Police	11-16	CK7008		CSK914			SRC7009	SRK7009	CT703SP
FLHX 103 Street Glide	11	CK7008		CSK916			SRC7012	SRK7012	CT703SP
FLHX Street Glide	06-11	CK7008		CSK915			SRC7013	SRK7013	CT703SP
FLHX Street Glide	12-13	CK7008		CSK916			SRC7012	SRK7012	CT703SP
FLHX Street Glide	14-16	CK7008		CSK917			SRC7011	SRK7011	CT703SP
FLHXS Street Glide Special	14-16	CK7008		CSK917			SRC7011	SRK7011	CT703SP
FLHXXX Street Glide Trike	10-11	CK7008		CSK914			SRC7009	SRK7009	CT703SP
FLS 103 Softail Slim	13-15	CK7008		CSK916			SRC7012	SRK7012	CT703SP
FLS 103 Softail Slim	12	CK7008		CSK916			SRC7012	SRK7012	CT703SP
FLS Softail Slim	12-15	CK7008		CSK915			SRC7013	SRK7013	CT703SP
FLS Softail Slim	16-17	CK7008		CSK916			SRC7012	SRK7012	CT703SP
FLST Heritage Softail	08-09	CK7008		CSK915			SRC7013	SRK7013	CT703SP
FLST Heritage Softail	06	CK7008		CSK915			SRC7013	SRK7013	CT703SP
FLSTC 103 Heritage Softail Classic	12-15	CK7008		CSK916			SRC7012	SRK7012	CT703SP
FLSTC103ANV Heritage Softail Classic Anniversary	13	CK7008		CSK916			SRC7012	SRK7012	CT703SP
FLHTCU Electra Glide Ultra Classic	17-18	CK7002		CSK236			SRC7010	SRK7010	CT702SP
FLHTCUL TC Ultra Classic Low Twin-Cooled	15-16	CK7002		CSK235			SRC7003	SRK7003	CT702SP
FLHTCUL Ultra Classic Low	15-16	CK7002		CSK235			SRC7003	SRK7003	CT702SP
FLSTC Heritage Softail Classic	98-03	CK7008		CSK917			SRC7011	SRK7011	CT703SP
FLSTC Heritage Softail Classic	04-05	CK7008		CSK916			SRC7012	SRK7012	CT703SP
FLHCS Heritage Classic 114	18	CK7007		CSK236			SRC7008	SRK7008	CT708SP
FLHTCUTG Tri Glide Ultra Classic	14-16	CK7002		CSK235			SRC7003	SRK7003	CT702SP
FLHTK 103 CVO Limited	14	CK7002		CSK235			SRC7003	SRK7003	CT702SP
FLHCS Heritage Classic 114 Anniversary	18	CK7007		CSK236			SRC7008	SRK7008	CT708SP
FLHTK Ultra Limited	17-18	CK7002		CSK236			SRC7010	SRK7010	CT702SP
FLHTK Ultra Limited Anniversary	18	CK7002		CSK236			SRC7010	SRK7010	CT702SP
FLHTK Ultra Limited Shrine Edition	18	CK7002		CSK236			SRC7010	SRK7010	CT702SP
FLHTKL Ultra Limited Low	15-18	CK7002		CSK235			SRC7003	SRK7003	CT702SP
FLHX Street Glide	17-18	CK7002		CSK236			SRC7010	SRK7010	CT702SP
FLHX Street Glide Anniversary	18	CK7002		CSK236			SRC7010	SRK7010	CT702SP
FLHXS Street Glide Special	17-18	CK7002		CSK236			SRC7010	SRK7010	CT702SP
FLHP Road King Police	17	CK7007		CSK236			SRC7008	SRK7008	CT708SP
FLHTCUTG Tri Glide Ultra	17-18	CK7007		CSK236			SRC7008	SRK7008	CT708SP
FLHC 1YAJ Heritage Classic	18	TBC		CSK236			TBC	TBC	
FLHTCUTG Tri Glide Ultra Anniversary	18	CK7007		CSK236			SRC7008	SRK7008	CT708SP
FLHTP Electra Glide Standard Police	17	CK7007		CSK236			SRC7008	SRK7008	CT708SP
FLHXS Street Glide Special Anniversary	18	CK7002		CSK236			SRC7010	SRK7010	CT702SP
FLRT Freewheeler	15-16	CK7002		CSK235			SRC7003	SRK7003	CT702SP
FLSS Softail Slim S	16-17	CK7002		CSK235			SRC7003	SRK7003	CT702SP
FLSTFBS Fat Boy S	16-17	CK7002		CSK235			SRC7003	SRK7003	CT702SP

CLUTCH APPLICATIONS

EBC CLUTCH KITS

MAKE & MODEL	MODEL YEAR	CK Series #	CKF Series #	Spring Kit #	DRC Series #	DRCF Series #	SRC Series #	SRK Series #	CT Tool #
HARLEY-DAVIDSON® DYNA									
FXB Super Glide B80	81-82	CK7012		CSK255			SRC7018	SRK7018	CT704SP
FXDG Dyna Glide Glide Custom	83	CK7012		CSK255			SRC7018	SRK7018	CT704SP
FXE Super Glide	81-84	CK7012		CSK255			SRC7018	SRK7018	CT704SP
FXEF Super Glide Fat Bob	81	CK7012		CSK255			SRC7018	SRK7018	CT704SP
FXS Super Glide	81-82	CK7012		CSK255			SRC7018	SRK7018	CT704SP
FXSB Low Rider	83-84	CK7012		CSK255			SRC7018	SRK7018	CT704SP
FXST Softail Standard	84	CK7012		CSK255			SRC7018	SRK7018	CT704SP
FXWG Wide Glide	81-84	CK7012		CSK255			SRC7018	SRK7018	CT704SP
FLTCU Tour Glide Classic Ultra	89	CK7010		TBC			SRC7016	SRK7016	CT705SP
FLSTN Heritage Softail Nostalgia	93-96	CK7009		TBC			SRC7019	SRK7019	CT701SP
FLSTS Heritage Springer	97	CK7009		TBC			SRC7019	SRK7019	CT701SP
FLTC Tour Glide Classic	90-92	CK7009		TBC			SRC7014	SRK7014	CT701SP
FLTCU Tour Glide Ultra Classic	90-95	CK7009		TBC			SRC7014	SRK7014	CT701SP
FLSTC Heritage Softail Classic	06-15	CK7008		CSK915			SRC7013	SRK7013	CT703SP
FLSTC Heritage Softail Classic	16-17	CK7008		CSK916			SRC7012	SRK7012	CT703SP
FLSTCANV Heritage Softail Classic Anniversary	13	CK7008		CSK915			SRC7013	SRK7013	CT703SP
FLSTCI Heritage Softail Classic	01-03	CK7008		CSK917			SRC7011	SRK7011	CT703SP
FLSTCI Heritage Softail Classic	04-05	CK7008		CSK916			SRC7012	SRK7012	CT703SP
FLSTCI Heritage Softail Classic	06	CK7008		CSK915			SRC7013	SRK7013	CT703SP
FLSTCI Heritage Softail Classic Shrine	05	CK7008		CSK916			SRC7012	SRK7012	CT703SP
FLSTF Fat Boy	12	CK7008		CSK915			SRC7013	SRK7013	CT703SP
FLSTF 103 Fat Boy	12-14	CK7008		CSK916			SRC7012	SRK7012	CT703SP
FLSTF 103 Fat Boy	15	CK7008		CSK916			SRC7012	SRK7012	CT703SP
FLSTF Fat Boy	98-99	CK7008		CSK917			SRC7011	SRK7011	CT703SP
FLSTF Fat Boy	00-03	CK7008		CSK917			SRC7011	SRK7011	CT703SP
FLSTF Fat Boy	04-05	CK7008		CSK916			SRC7012	SRK7012	CT703SP
FLSTF Fat Boy	06-15	CK7008		CSK915			SRC7013	SRK7013	CT703SP
FLSTF Fat Boy	16-17	CK7008		CSK916			SRC7012	SRK7012	CT703SP
FLSTFB 103 Fat Boy LO	12-15	CK7008		CSK916			SRC7012	SRK7012	CT703SP
FLSTFB103ANV Fat Boy 103 LO Anniversary	13	CK7008		CSK916			SRC7012	SRK7012	CT703SP
FLSTFB Fat Boy LO	10-11	CK7008		CSK915			SRC7013	SRK7013	CT703SP
FLSTFB Fat Boy LO	12	CK7008		CSK916			SRC7012	SRK7012	CT703SP
FLSTFB Fat Boy LO	13-15	CK7008		CSK915			SRC7013	SRK7013	CT703SP
FLSTFB Fat Boy LO	16-17	CK7008		CSK916			SRC7012	SRK7012	CT703SP
FLSTFBANV Fat Boy LO Anniversary	13	CK7008		CSK915			SRC7013	SRK7013	CT703SP
FLSTFI Fat Boy	01-03	CK7008		CSK917			SRC7011	SRK7011	CT703SP
FLSTFI Fat Boy	04-05	CK7008		CSK916			SRC7012	SRK7012	CT703SP
FLSTFI Fat Boy	06	CK7008		CSK915			SRC7013	SRK7013	CT703SP
FLSTFI Fat Boy Shrine	05	CK7008		CSK916			SRC7012	SRK7012	CT703SP
FLSTI Heritage Softail	06	CK7008		CSK915			SRC7013	SRK7013	CT703SP
FLSTN 103 Softail Deluxe	12-15	CK7008		CSK916			SRC7012	SRK7012	CT703SP
FLSTN Softail Deluxe	05	CK7008		CSK916			SRC7012	SRK7012	CT703SP
FLSTN Softail Deluxe	06	CK7008		CSK915			SRC7013	SRK7013	CT703SP
FLSTN Softail Deluxe	07-15	CK7008		CSK915			SRC7013	SRK7013	CT703SP
FLSTN Deluxe	17	CK7008		CSK916			SRC7012	SRK7012	CT703SP
FLSTN Softail Deluxe	16	CK7008		CSK916			SRC7012	SRK7012	CT703SP
FLSTNI Softail Deluxe	06	CK7008		CSK915			SRC7013	SRK7013	CT703SP
FLSTNI Softail Deluxe	05	CK7008		CSK916			SRC7012	SRK7012	CT703SP
FLSTS Heritage Springer	98-03	CK7008		CSK917			SRC7011	SRK7011	CT703SP
FLSTSB Cross Bones	08-11	CK7008		CSK915			SRC7013	SRK7013	CT703SP
FLSTSC Springer Classic	06-07	CK7008		CSK915			SRC7013	SRK7013	CT703SP
FLSTSC Springer Classic	05	CK7008		CSK916			SRC7012	SRK7012	CT703SP
FLSTSI Heritage Springer	01-03	CK7008		CSK917			SRC7011	SRK7011	CT703SP
FLTR Road Glide	98-03	CK7008		CSK917			SRC7011	SRK7011	CT703SP
FLTR Road Glide	06-09	CK7008		CSK915			SRC7013	SRK7013	CT703SP
FLTRI Road Glide	04-05	CK7008		CSK916			SRC7012	SRK7012	CT703SP
FLTRU Road Glide Ultra	2016	CK7008		CSK917			SRC7011	SRK7011	CT703SP
FLTRU Road Glide Ultra	11-13	CK7008		CSK916			SRC7012	SRK7012	CT703SP
FLTRX 103 Road Glide Custom	11	CK7008		CSK916			SRC7012	SRK7012	CT703SP
FLTRX Road Glide Custom	10-11	CK7008		CSK915			SRC7013	SRK7013	CT703SP
FLTRX Road Glide	15-16	CK7008		CSK917			SRC7011	SRK7011	CT703SP
FLTRX Road Glide Custom	12-13	CK7008		CSK916			SRC7012	SRK7012	CT703SP
FLTRXS Road Glide Special	15-16	CK7008		CSK917			SRC7011	SRK7011	CT703SP
FXCW Rocker	08-09	CK7008		CSK915			SRC7013	SRK7013	CT703SP
FXCWC Rocker C	08-11	CK7008		CSK915			SRC7013	SRK7013	CT703SP
FXD Dyna Super Glide	98-03	CK7008		CSK917			SRC7011	SRK7011	CT703SP
FXFB 1YKJ Fat Bob	18	TBC		CSK236			TBC	TBC	
FLRT Freewheeler	17-18	CK7007		CSK236			SRC7008	SRK7008	CT708SP
FXLR 1YNJ Low Rider	18	TBC		CSK236			TBC	TBC	
HARLEY-DAVIDSON® SPORTSTER									
XLCH1000 Sportster 1000	70	CK7016		TBC			TBC	TBC	
XLH1000 Sportster Standard	70	CK7016		TBC			TBC	TBC	
XLCH1000 Sportster 1000	71-80	CK7015		CSK257			SRC7025	SRK7025	CT709SP
XLH Sportster 1000	81-84	CK7015		CSK257			SRC7025	SRK7025	CT709SP
XLH1000 Sportster 1000 Standard	71-78	CK7015		CSK257			SRC7025	SRK7025	CT709SP

CLUTCH APPLICATIONS

EBC CLUTCH KITS

MAKE & MODEL	MODEL YEAR	CK Series #	CKF Series #	Spring Kit #	DRC Series #	DRCF Series #	SRC Series #	SRK Series #	CT Tool #
HARLEY-DAVIDSON® SPORTSTER									
XLS Sportster Roadster 1000	81-84	CK7015		CSK257			SRC7025	SRK7025	CT709SP
XR1000 Sportster 1000	83-84	CK7015		CSK257			SRC7025	SRK7025	CT709SP
XL883 Sportster 883	86-90	CK7014		CSK921			SRC7024	SRK7024	CT709SP
XL883HUG Sportster 883 Hugger	87-90	CK7014		CSK921			SRC7024	SRK7024	CT709SP
XLH Sportster 1000	84	CK7014		CSK921			SRC7024	SRK7024	CT709SP
XLH1100 Sportster 1100	86-87	CK7014		CSK921			SRC7024	SRK7024	CT709SP
XLS Sportster Roadster 1000	84	CK7014		CSK921			SRC7024	SRK7024	CT709SP
XLX Sportster Roadster 1000	84	CK7014		CSK921			SRC7024	SRK7024	CT709SP
XR1000 Sportster	84	CK7014		CSK921			SRC7024	SRK7024	CT709SP
FLTGUI Tour Glide Ultra Classic	96	CK7009		TBC			SRC7014	SRK7014	CT701SP
FXD Dyna Super Glide	95-97	CK7009		TBC			SRC7019	SRK7019	CT701SP
FXDB Dyna Daytona	92	CK7009		TBC			SRC7019	SRK7019	CT701SP
FXDB Dyna Sturgis	91	CK7009		TBC			SRC7019	SRK7019	CT701SP
FXDC Super Glide Custom	92	CK7009		TBC			SRC7019	SRK7019	CT701SP
FXDL Dyna Low Rider	93-97	CK7009		TBC			SRC7019	SRK7019	CT701SP
FXDSCONV Dyna Glide Convertible	93	CK7009		TBC			SRC7019	SRK7019	CT701SP
FXDWG Dyna Wide Glide	93-97	CK7009		TBC			SRC7019	SRK7019	CT701SP
FXST Softail Standard	90	CK7009		TBC			SRC7019	SRK7019	CT701SP
FXSTC Softail Custom	90-97	CK7009		TBC			SRC7019	SRK7019	CT701SP
FXSTS Softail Springer	90-97	CK7009		TBC			SRC7019	SRK7019	CT701SP
XL1200 Forty Eight Anniversary	18	CK7009		CSK919			SRC7020	SRK7020	CT701SP
XL1200 Sportster 1200	91-03	CK7009		CSK920			SRC7023	SRK7023	CT701SP
XL1200C Sportster 1200 Custom	96-03	CK7009		CSK920			SRC7023	SRK7023	CT701SP
XL1200C Sportster 1200 Custom	04-18	CK7009		CSK919			SRC7020	SRK7020	CT701SP
XL1200CA Sportster 1200 Custom Limited A	13-16	CK7009		CSK919			SRC7020	SRK7020	CT701SP
XL1200CANV Sportster 1200 Custom Anniversary	13	CK7009		CSK919			SRC7020	SRK7020	CT701SP
XL1200CB Sportster 1200 Custom Limited B	13-17	CK7009		CSK919			SRC7020	SRK7020	CT701SP
XR1200 Sportster	08-10	CK7013		CSK913			SRC7022	SRK7022	CT701SP
XL1200CP Sportster 1200 Custom H-D1	11-16	CK7009		CSK919			SRC7020	SRK7020	CT701SP
XL1200CX 1200 Roadster	16-18	CK7009		CSK919			SRC7020	SRK7020	CT701SP
XR1200X 1200 Sportster X	10-13	CK7013		CSK913			SRC7022	SRK7022	CT701SP
XL1200L Sportster 1200 Low	06-11	CK7009		CSK919			SRC7020	SRK7020	CT701SP
XL1200N Nightster	07-12	CK7009		CSK919			SRC7020	SRK7020	CT701SP
XL1200R Sportster 1200 Roadster	04-09	CK7009		CSK919			SRC7020	SRK7020	CT701SP
XL1200S Sportster 1200 Sport	96-03	CK7009		CSK920			SRC7023	SRK7023	CT701SP
XL1200T Sportster 1200 SuperLow	14-18	CK7009		CSK919			SRC7020	SRK7020	CT701SP
XL1200V Seventy-Two	12-16	CK7009		CSK919			SRC7020	SRK7020	CT701SP
XL1200X Forty Eight	10-18	CK7009		CSK919			SRC7020	SRK7020	CT701SP
XL50 50th Anniversary Sportster	07	CK7009		CSK919			SRC7020	SRK7020	CT701SP
XL883 Sportster 883	91-03	CK7009		CSK920			SRC7023	SRK7023	CT701SP
XL883 Sportster 883	04-09	CK7009		CSK918			SRC7021	SRK7021	CT701SP
XL883C Sportster 883 Custom	98-03	CK7009		CSK920			SRC7023	SRK7023	CT701SP
XL883C Sportster 883 Custom	04-10	CK7009		CSK918			SRC7021	SRK7021	CT701SP
HARLEY-DAVIDSON® SOFTAIL									
FXE Super Glide	84	CK7010		TBC			SRC7016	SRK7016	CT705SP
FXEF Super Glide Fat Bob	85	CK7010		TBC			SRC7016	SRK7016	CT705SP
FXSB Low Rider	84-85	CK7010		TBC			SRC7016	SRK7016	CT705SP
FXST Softail Standard	84-89	CK7010		TBC			SRC7016	SRK7016	CT705SP
FXSTC Softail Custom	86-89	CK7010		TBC			SRC7016	SRK7016	CT705SP
FXSTS Softail Springer	88-89	CK7010		TBC			SRC7016	SRK7016	CT705SP
FXWG Wide Glide	84-86	CK7010		TBC			SRC7016	SRK7016	CT705SP
XL883DLX Sportster 883 Deluxe	91-95	CK7009		CSK920			SRC7023	SRK7023	CT701SP
XL883HUG Sportster 883 Hugger	91-03	CK7009		CSK920			SRC7023	SRK7023	CT701SP
XL883L Sportster 883 Low	05-11	CK7009		CSK918			SRC7021	SRK7021	CT701SP
XL883L SuperLow	12-18	CK7009		CSK918			SRC7021	SRK7021	CT701SP
XL883N Iron 883	09-18	CK7009		CSK918			SRC7021	SRK7021	CT701SP
XL883R 883 Roadster	11-15	CK7009		CSK918			SRC7021	SRK7021	CT701SP
XL883R Sportster 883R	02-06	CK7009		CSK920			SRC7023	SRK7023	CT701SP
XL883R Sportster 883R	07-10	CK7009		CSK918			SRC7021	SRK7021	CT701SP
FXD Dyna Super Glide	04-05	CK7008		CSK916			SRC7012	SRK7012	CT703SP
FXD Dyna Super Glide	07-10	CK7008		CSK915			SRC7013	SRK7013	CT703SP
FXD35 Dyna 35th Anniversary Super Glide	06	CK7008		CSK915			SRC7013	SRK7013	CT703SP
FXDB 103 Dyna Street Bob	14-17	CK7008		CSK916			SRC7012	SRK7012	CT703SP
FXDB Dyna Street Bob	07-17	CK7008		CSK915			SRC7013	SRK7013	CT703SP
FXDBA 103 Dyna Street Bob H-D1	13-15	CK7008		CSK916			SRC7012	SRK7012	CT703SP
FXDBA Dyna Street Bob H-D1	13-15	CK7008		CSK915			SRC7013	SRK7013	CT703SP
FXDBC 103 Dyna Street Bob Limited	16	CK7008		CSK916			SRC7012	SRK7012	CT703SP
FXDBC Dyna Street Bob Limited	16	CK7008		CSK915			SRC7013	SRK7013	CT703SP
FXDBI Dyna Street Bob	06	CK7008		CSK915			SRC7013	SRK7013	CT703SP
FXDBP 103 Dyna Street Bob	16	CK7008		CSK916			SRC7012	SRK7012	CT703SP
FXDC 103 Dyna Super Glide Custom	14	CK7008		CSK916			SRC7012	SRK7012	CT703SP
FXDC Dyna Super Glide Custom	05	CK7008		CSK916			SRC7012	SRK7012	CT703SP
FXDC Dyna Super Glide Custom	07-14	CK7008		CSK915			SRC7013	SRK7013	CT703SP
FXDCANV Dyna Super Glide Custom Anniversary	13	CK7008		CSK915			SRC7013	SRK7013	CT703SP
FXDCI Dyna Super Glide Custom	05-06	CK7008		CSK915			SRC7013	SRK7013	CT703SP

CLUTCH APPLICATIONS

EBC CLUTCH KITS

MAKE & MODEL	MODEL YEAR	CK Series #	CKF Series #	Spring Kit #	DRC Series #	DRCF Series #	SRC Series #	SRK Series #	CT Tool #
HARLEY-DAVIDSON® SOFTTAIL Contd.									
FXDF 103 Dyna Fat Bob	12-17	CK7008		CSK916			SRC7012	SRK7012	CT703SP
FXDF Dyna Fat Bob	08-17	CK7008		CSK915			SRC7013	SRK7013	CT703SP
FXDI Dyna Super Glide	04-06	CK7008		CSK915			SRC7013	SRK7013	CT703SP
FXDL 103 Dyna Low Rider	14-16	CK7008		CSK916			SRC7012	SRK7012	CT703SP
FXDL 103 Low Rider 103	17	CK7008		CSK916			SRC7012	SRK7012	CT703SP
FXDL Dyna Low Rider	98-03	CK7008		CSK917			SRC7011	SRK7011	CT703SP
FXDL Dyna Low Rider	04-05	CK7008		CSK916			SRC7012	SRK7012	CT703SP
FXDL Dyna Low Rider	06-17	CK7008		CSK915			SRC7013	SRK7013	CT703SP
FXDLI Dyna Low Rider	04-05	CK7008		CSK916			SRC7012	SRK7012	CT703SP
FXDLS Dyna Low Rider S	16-17	CK7008		CSK914			SRC7009	SRK7009	CT703SP
FXDSCONV Dyna Glide Convertible	99-00	CK7008		CSK917			SRC7011	SRK7011	CT703SP
FXDWG Dyna Wide Glide	98-05	CK7008		CSK917			SRC7011	SRK7011	CT703SP
FXDWG Dyna Wide Glide	07-16	CK7008		CSK915			SRC7013	SRK7013	CT703SP
FXDWG 103 Dyna Wide Glide	12-17	CK7008		CSK916			SRC7012	SRK7012	CT703SP
FXDWGANV Dyna Wide Glide 105th Anniversary	08	CK7008		CSK915			SRC7013	SRK7013	CT703SP
FXDWGI Dyna Wide Glide	04-05	CK7008		CSK916			SRC7012	SRK7012	CT703SP
FXDWGI Dyna Wide Glide	06	CK7008		CSK915			SRC7013	SRK7013	CT703SP
FXDX Dyna Super Glide Sport	99-03	CK7008		CSK917			SRC7011	SRK7011	CT703SP
FXDX Dyna Super Glide Sport	04-05	CK7008		CSK916			SRC7012	SRK7012	CT703SP
FXDXT Dyna Super Glide T-Sport	01-03	CK7008		CSK917			SRC7011	SRK7011	CT703SP
FXS 103 Blackline	12-13	CK7008		CSK916			SRC7012	SRK7012	CT703SP
FXS Blackline	11	CK7008		CSK915			SRC7013	SRK7013	CT703SP
FXS Blackline	12	CK7008		CSK916			SRC7012	SRK7012	CT703SP
FXS Blackline	13	CK7008		CSK915			SRC7013	SRK7013	CT703SP
FXSB 103 Softail Breakout	13-15	CK7008		CSK916			SRC7012	SRK7012	CT703SP
FXSB Softail Breakout	13-17	CK7008		CSK915			SRC7013	SRK7013	CT703SP
FXST Softail Standard	99-03	CK7008		CSK917			SRC7011	SRK7011	CT703SP
FXST Softail Standard	04-06	CK7008		CSK916			SRC7012	SRK7012	CT703SP
FXST Softail Standard	07-11	CK7008		CSK915			SRC7013	SRK7013	CT703SP
FXST Softail Standard	12-15	CK7008		CSK916			SRC7012	SRK7012	CT703SP
FXSTB Night Train	99-03	CK7008		CSK917			SRC7011	SRK7011	CT703SP
FXSTB Night Train	04-05	CK7008		CSK916			SRC7012	SRK7012	CT703SP
FXSTB Night Train	06-09	CK7008		CSK915			SRC7013	SRK7013	CT703SP
FXSTBI Night Train	01-03	CK7008		CSK917			SRC7011	SRK7011	CT703SP
FXSTBI Night Train	04-05	CK7008		CSK916			SRC7012	SRK7012	CT703SP
FXSTBI Night Train	06	CK7008		CSK915			SRC7013	SRK7013	CT703SP
FXSTC Softail Custom	98-99	CK7008		CSK917			SRC7011	SRK7011	CT703SP
FXSTC Softail Custom	07-10	CK7008		CSK915			SRC7013	SRK7013	CT703SP
FXSTD Softail Deuce	00-03	CK7008		CSK917			SRC7011	SRK7011	CT703SP
FXSTD Softail Deuce	04-05	CK7008		CSK916			SRC7012	SRK7012	CT703SP
FXSTD Softail Deuce	06-07	CK7008		CSK915			SRC7013	SRK7013	CT703SP
FXSTDI Softail Deuce	01-03	CK7008		CSK917			SRC7011	SRK7011	CT703SP
FXSTDI Softail Deuce	04-05	CK7008		CSK916			SRC7012	SRK7012	CT703SP
FXSTDI Softail Deuce	06	CK7008		CSK915			SRC7013	SRK7013	CT703SP
FXSTI Softail Standard	01-03	CK7008		CSK917			SRC7011	SRK7011	CT703SP
FXSTI Softail Standard	04-05	CK7008		CSK916			SRC7012	SRK7012	CT703SP
FXSTI Softail Standard	06	CK7008		CSK915			SRC7013	SRK7013	CT703SP
FXSTS Springer Softail	98-03	CK7008		CSK917			SRC7011	SRK7011	CT703SP
FXSTS Springer Softail	04-05	CK7008		CSK916			SRC7012	SRK7012	CT703SP
FXSTS Springer Softail	06	CK7008		CSK915			SRC7013	SRK7013	CT703SP
FXSTSI Springer Softail	01-03	CK7008		CSK917			SRC7011	SRK7011	CT703SP
FLTRU Road Glide Ultra	17-18	CK7002		CSK236			SRC7010	SRK7010	CT702SP
FXSTSI Springer Softail	04-05	CK7008		CSK916			SRC7012	SRK7012	CT703SP
FLTRX Road Glide	17-18	CK7002		CSK236			SRC7010	SRK7010	CT702SP
FLTRXS Road Glide Special	17-18	CK7002		CSK236			SRC7010	SRK7010	CT702SP
FXSTSI Springer Softail	06	CK7008		CSK915			SRC7013	SRK7013	CT703SP
FLDE 1YJ Deluxe	18	TBC		CSK236			TBC	TBC	
FLFB 1YFJ Fat Boy	18	TBC		CSK236			TBC	TBC	
FXBRS Breakout 114	18	CK7007		CSK236			SRC7008	SRK7008	CT708SP
FLSL 1YDJ Slim	18	TBC		CSK236			TBC	TBC	
FXBB 1YJJ Street Bob	18	TBC		CSK236			TBC	TBC	
FXBR 1YEJ Breakout	18	TBC		CSK236			TBC	TBC	
FXBRS Breakout 114 Anniversary	18	CK7007		CSK236			SRC7008	SRK7008	CT708SP
FXFBS Fat Bob 114	18	CK7007		CSK236			SRC7008	SRK7008	CT708SP
HARLEY-DAVIDSON® STREET									
XG500	15-20	CK7004		CSK230			SRC7005	SRK7005	
XG750	15-20	CK7004		CSK229			TBC	TBC	
HUSQVARNA									
TC 50	17-19	CK5674							
TC 65	17-23	CK5594	CKF5594	CSK021	DRC241	DRCF241			CT057SP
TC 85 All Models	14-17	CK5610		CSK042	DRC139				CT028
TC 85 All Models	18-23	CK5668	CKF5668	CSK908	DRC304	DRCF304			CT087SP
CR 125	00-11	CK1222		CSK182	DRC264				CT001
TC 125	14-18	CK5611	CKF5611	CSK210	DRC303	DRCF303			CT001

CLUTCH APPLICATIONS

EBC CLUTCH KITS

MAKE & MODEL	MODEL YEAR	CK Series #	CKF Series #	Spring Kit #	DRC Series #	DRCF Series #	SRC Series #	SRK Series #	CT Tool #
HUSQVARNA Contd.									
TC 125	19-23	TBC	TBC	TBC	TBC	TBC			CT001
TE 125	14-16	CK5611	CKF5611	CSK210	DRC303	DRCF303			CT001
TX 125	17-18	CK5611	CKF5611	CSK210	DRC303	DRCF303			CT001
WR 125	00-11	CK1222		CSK182	DRC264				CT001
WRE 125	00-11	CK1222		CSK182	DRC264				CT001
SMS 125	00-11	CK1222		CSK182	DRC264				CT001
TE 150	17-18	CK5611	CKF5611	CSK210	DRC303	DRCF303			CT001
TE 150i	19-23	TBC	TBC	TBC	TBC				CT001
FC 250	14-17	CK5651	CKF5651	CSK221	DRC293				CT023
FC 250	18-23	TBC	TBC	TBC	TBC				CT023
FE 250	14-17	CK5651	CKF5651	CSK221	DRC293				CT023
FE 250	18-23	TBC	TBC	TBC	TBC				
TC 250	03-08	CK5657							
TC 250	14-22	CK5651	CKF5651	CSK910	TBC				CT023
TE 250 2T	03-09	CK5657							
TE 250 2T	14-17	CK5651	CKF5651	CSK910	TBC				CT023
TE 250i 2T	18-23	CK5651	CKF5651	CSK910	TBC				CT023
TE 300 2T	14-17	CK5651	CKF5651	CSK910	TBC				CT023
TE 300i 2T	18-23	CK5651	CKF5651	CSK910	TBC				CT023
TX 300i	18-22	CK5651	CKF5651	CSK910	TBC				TBC
TE 310	08-10	TBC							
FC 350	14-17	CK5651	CKF5651	CSK221	DRC293				CT023
FC 350	18-23	TBC	TBC	TBC	TBC				CT023
FE 350	14-17	CK5651	CKF5651	CSK910	DRC273				CT023
FE 350	18-23	TBC	TBC	TBC	TBC				CT023
FX 350	17-18	CK5651	CKF5651	CSK221	DRC293				CT023
FX 350	18-22	TBC	TBC	TBC	TBC				CT023
FC 450	14-17	CK5651	CKF5651	CSK909	DRC281				CT023
FC 450	18-23	TBC	TBC	TBC	TBC				CT023
FC 450 Rockstar Edition	21-22	TBC	TBC	TBC	TBC				CT023
FE 450	14-17	CK5651	CKF5651	CSK910	DRC275				CT023
FE 450	18-21	TBC	TBC	TBC	TBC				CT023
FR 450 Rally	17-21	TBC	TBC	TBC	TBC				CT023
FS 450	15-18	CK5651	CKF5651	CSK909	DRC281				CT023
FX 450	17	CK5651	CKF5651	CSK909	DRC281				CT023
FX 450	18-21	TBC	TBC	TBC	TBC				CT023
TC 450	02-07	CK5656							
TE 450	02-07	CK5656							
FE 501	14-16	CK5651	CKF5651	CSK910	DRC275				CT023
FE 501	17-23	CK5651	CKF5651	CSK909	DRC281				CT023
FE 501S	16	CK5651	CKF5651	CSK910	DRC275				CT023
SMR 570	03-04	CK5656							
TC 570	03-04	CK5656							
TE 570	03-04	CK5656							
TE 610	05-12	CK5656							
701 Enduro R	16-24	CK5642		CSK131	DRC205				CT069
701 Supermoto	16-24	CK5642		CSK131	DRC205				CT069
Svartpilen 401	18-24	CK5642		CSK131	DRC205				CT069
Svartpilen 701	18-24	CK5642		CSK131	DRC205				CT069
Vitpilen 401	18-24	CK5642		CSK131	DRC205				CT069
Vitpilen 701	18-24	CK5642		CSK131	DRC205				CT069
INDIAN									
Chief Classic	14-20	CK7003		CSK232			SRC7004	SRK7004	
Chief Dark Horse	16-20	CK7003		CSK232			SRC7004	SRK7004	
Chief Vintage	14-20	CK7003		CSK232			SRC7004	SRK7004	
Chieftain	14-18	CK7003		CSK232			SRC7004	SRK7004	
Chieftain Dark Horse	16-20	CK7003		CSK232			SRC7004	SRK7004	
Chieftain Elite	17-20	CK7003		CSK232			SRC7004	SRK7004	
Chieftain Limited	17-18	CK7003		CSK232			SRC7004	SRK7004	
FTR 1200	19-21	CK7018							
Octane	17	CK7001		CSK231			SRC7001	SRK7001	
Roadmaster	15-18	CK7003		CSK232			SRC7004	SRK7004	
Roadmaster Classic	17-20	CK7003		CSK232			SRC7004	SRK7004	
Roadmaster Elite	18-20	CK7003		CSK232			SRC7004	SRK7004	
Scout	15-16	CK7001		CSK231			SRC7001	SRK7001	
Scout	17-20	CK7001					SRC7002	SRK7002	
Scout 1200	17-20	CK7001					SRC7002	SRK7002	
Scout Bobber	18	CK7001					SRC7002	SRK7002	
Scout Sixty	16-17	CK7001		CSK231			SRC7001	SRK7001	
Scout Sixty	17-20	CK7001					SRC7002	SRK7002	
Springfield	16-20	CK7003		CSK232			SRC7004	SRK7004	
Springfield Dark Horse	18	CK7003		CSK232			SRC7004	SRK7004	

CLUTCH APPLICATIONS

EBC CLUTCH KITS

MAKE & MODEL	MODEL YEAR	CK Series #	CKF Series #	Spring Kit #	DRC Series #	DRCF Series #	SRC Series #	SRK Series #	CT Tool #
KTM									
SX 50	13-19	CK5674							
SX 60	98-00	CK5594	CKF5594	CSK064	DRC107	DRCF107			CT027
SX 65	98-08	CK5594	CKF5594	CSK064	DRC107	DRCF107			CT027
SX 65	09-22	CK5594	CKF5594	CSK021	DRC241	DRCF241			CT057SP
SX 85 All Models	03-17	CK5610		CSK042	DRC139				CT028
SX 85 All Models	18-22	CK5668	CKF5668	CSK908	DRC304	DRCF304			CT087SP
125 EGS	94-97			CSK011					
125 EGS	98-99	CK5611	CKF5611	CSK024	DRC145				CT001
125 EXE	00-01	CK5611	CKF5611	CSK024	DRC145				CT001
125 LC 2 Sting	96-98								
125 Supermoto	00-01	CK5611	CKF5611	CSK024	DRC145				CT001
Duke 125	11-18	CK4522		CSK199			SRC154	SRK154	
EXC 125	98-06	CK5611	CKF5611	CSK024	DRC145				CT001
EXC 125	07-15	CK5611	CKF5611	CSK132	DRC174				CT001
EXC 125 Six Days	11-15	CK5611	CKF5611	CSK132	DRC174				CT001
RC 125	14-18	CK4522		CSK199			SRC154	SRK154	
SX 125	98-07	CK5611	CKF5611	CSK024	DRC145				CT001
SX 125	08	CK5611	CKF5611	CSK132	DRC174				CT001
SX 125	09-15	CK5611	CKF5611	CSK024	DRC145				CT001
SX 125	15-18	CK5611	CKF5611	CSK210	DRC303				
SX 125	19-23	TBC	TBC	TBC	TBC				
125 SXS	01-02	CK5611	CKF5611	CSK024	DRC145				CT001
XC 150	11-13	CK5611	CKF5611	CSK091	DRC144				CT001
XC-W-150	17-21	CK5611	CKF5611	CSK210	DRC303				
SX 150	08-18	CK5611	CKF5611	CSK091	DRC144				CT001
SX 150	19-23	TBC	TBC	TBC	TBC				
Duke 200	12-18	CK4486		CSK195			SRC153	SRK153	
200 EGS	98-99	CK5611	CKF5611	CSK091	DRC144				CT001
200 EXC	97-14	CK5611	CKF5611	CSK091	DRC144				CT001
200 MXC	98-03	CK5611	CKF5611	CSK091	DRC144				CT001
RC 200	14-17	CK4486		CSK195			SRC153	SRK153	
SX 200	06-07	CK5611	CKF5611	CSK091	DRC144				CT001
SX 250 2T	94-12	CK5595	CKF5595	CSK080	DRC108	DRCF108			CT007
SX 250 2T/Diaphragm Spring	13-23	CK5651	CKF5651	CSK910	DRC275				CT023
SX-F 250 4T	05-12	CK1293	CKF1293	CSK179	DRC163	DRCF163			CT001
SX-F 250 4T/Coil Spring	13-15	CK5651	CKF5651	CSK091	DRC260				CT023
SX-F 250 4T	16-18	CK5612	CKF5612	CSK210	DRC171				CT023
SX-F 250 4T	19-23			TBC	TBC				CT023
SX-F 250 Factory 4T	16-18	CK5612	CKF5612	CSK210	DRC171				CT023
250 EGS	94-99	CK5595	CKF5595	CSK080	DRC108	DRCF108			CT007
Duke 250	15-18	CK5666		CSK239			SRC140	SRK140	
EXC 250 2T	94-12	CK5595	CKF5595	CSK080	DRC108	DRCF108			CT007
EXC 250 Six Days 2T	11-12	CK5595	CKF5595	CSK080	DRC108	DRCF108			CT007
EXC 250 2T	13-17	CK5651	CKF5651	CSK910	DRC275				CT023
EXC 250 Tpi 2T	18-23	CK5651	CKF5651	CSK910	DRC275				CT023
EXC 250 Six Days 2T/Diaphragm Spring	13-15	CK5651	CKF5651	CSK910	DRC275				CT023
250 EXC-G Racing	03	CK5612	CKF5612	CSK210	DRC171				CT023
250 MXC	98-99	CK5595	CKF5595	CSK080	DRC108	DRCF108			CT007
250 SXS	01-03	CK5595	CKF5595	CSK080	DRC108	DRCF108			CT007
250 EXC Racing	02-03	CK5612	CKF5612	CSK210	DRC171				CT023
250 EXC Racing	04	CK5602		CSK210	DRC117				CT059
250 EXC Racing 2T	05	CK5612	CKF5612	CSK210	DRC154				CT023
250 EXC-G Racing	04	CK5602		CSK210	DRC117				CT059
EXC-F 250 4T	08-13	CK1293	CKF1293	CSK179	DRC163	DRCF163			CT001
EXC-F 250 4T	14-19	CK5651	CKF5651	CSK910	DRC275				CT023
EXC-F 250 4T	20-23	TBC	TBC	TBC	TBC				CT023
EXC-F 250 Six Days 4T	11-13	CK1293	CKF1293	CSK179	DRC163	DRCF163			CT001
EXC-F 250 Six Days 4T	14-19	CK5651	CKF5651	CSK910	DRC275				CT023
Freeride 250 R 2T	14-15	CK5612	CKF5612	TBC					
RC 250	15-18	CK5666		CSK239			SRC140	SRK140	
XC 250 2T	11-12	CK5595	CKF5595	CSK080	DRC108	DRCF108			CT007
XC 250 2T/Diaphragm Spring	13-16	CK5651	CKF5651	CSK910	DRC275				CT023
XC-F 250 4T	11-12	CK1293	CKF1293	CSK179	DRC163	DRCF163			CT001
XC-F 250 4T/Coil Spring	13-17	CK5651	CKF5651	CSK091	DRC260				CT023
XC-F 250 4T	18-21	TBC	TBC	TBC	TBC				CT023
300 EGS	94-99	CK5595	CKF5595	CSK080	DRC108	DRCF108			CT007
EXC 300 2T	00-12	CK5595	CKF5595	CSK080	DRC108	DRCF108			CT007
EXC 300 2T/Diaphragm Spring	13-23	TBC	TBC	TBC	TBC				CT023
EXC 300 2T	16-18	CK5651	CKF5651	CSK910	DRC275				CT023
EXC 300 Six Days 2T	11-12	CK5595	CKF5595	CSK080	DRC108	DRCF108			CT007
EXC 300 Six Days 2T/Diaphragm Spring	13-15	CK5651	CKF5651	CSK910	DRC275				CT023
EXC 300 Six Days 2T	16-18	CK5651	CKF5651	CSK910	DRC275				CT023
300 EXC	94-07	CK5595	CKF5595	CSK080	DRC108	DRCF108			CT007
300 MXC	94-03	CK5595	CKF5595	CSK080	DRC108	DRCF108			CT007
300 MXC	04-05	CK5595	CKF5595	CSK080	DRC108	DRCF108			CT007
XC 300 2T	11-12	CK5595	CKF5595	CSK080	DRC108	DRCF108			CT007

CLUTCH APPLICATIONS

EBC CLUTCH KITS

MAKE & MODEL	MODEL YEAR	CK Series #	CKF Series #	Spring Kit #	DRC Series #	DRCF Series #	SRC Series #	SRK Series #	CT Tool #
KTM Contd.									
SX 300	94	CK5595	CKF5595	CSK080	DRC108	DRCF108			CT007
300 Six Days	96	CK5595	CKF5595	CSK080	DRC108	DRCF108			CT007
350 Enduro 2T	89	CK5596		CSK084	DRC173				CT075
350 EXC	94	CK5631	CKF5631	CSK080	DRC169				CT030
350 Freeride 4T	12-15	CK5651	CKF5651	CSK910	DRC273				CT023
350 MX 2T	89	CK5596		CSK084	DRC173				CT075
350 Super Comp	94-95	CK5631	CKF5631	CSK080	DRC169				CT030
EXC-F 350 Coil Spring	11	CK5651	CKF5651	CSK091	DRC260				CT023
EXC-F 350 4T/Diaphragm Spring	12-17	CK5651	CKF5651	CSK910	DRC273				CT023
EXC-F 350 4T/Diaphragm Spring	18-23	TBC	TBC	TBC	TBC				
EXC-F 350 Six Days 4T/Diaphragm Spring	12-17	CK5651	CKF5651	CSK910	DRC273				CT023
EXC-F 350 Six Days 4T/Diaphragm Spring	18-23	CK5651	CKF5651	CSK910	DRC275				CT023
SX-F 350	11-15	CK5651	CKF5651	CSK091	DRC260				CT023
SX-F 350	16-18	CK5651	CKF5651	CSK091	DRC260				CT023
SX-F 350	19-23	TBC	TBC	TBC	TBC				CT023
XC-F 350	12-15	CK5651	CKF5651	CSK210					CT023
XC-F 350	16-21	CK5612	CKF5612	CSK210	DRC171				CT023
XCF-W 350 2T	16	CK5651	CKF5651	CSK091	DRC260				
XCF-W 350 Six Days 2T	16	CK5651	CKF5651	CSK091	DRC260				
360 EGS	96-97	CK5595	CKF5595	CSK080	DRC108	DRCF108			CT007
360 EXC	96-97	CK5595	CKF5595	CSK080	DRC108	DRCF108			CT007
360 MXC	96-97	CK5595	CKF5595	CSK080	DRC108	DRCF108			CT007
360 SX	96-97	CK5595	CKF5595	CSK080	DRC108	DRCF108			CT007
360 Six Days	96	CK5595	CKF5595	CSK080	DRC108	DRCF108			CT007
380 EGS	98-99	CK5631	CKF5631	CSK129	DRC170				CT030
380 EXC	98-02	CK5595	CKF5595	CSK080	DRC108	DRCF108			CT007
380 MXC	98-01	CK5595	CKF5595	CSK080	DRC108	DRCF108			CT007
SX 380	98-02	CK5595	CKF5595	CSK080	DRC108	DRCF108			CT007
390 Duke	13-17	CK5665		CSK237			SRC139		
RC 390	14-17	CK5665		CSK237			SRC139		
400 Duke	94-95	CK5631	CKF5631	CSK080	DRC169				CT030
400 EGS-E	97	CK5631	CKF5631	CSK129	DRC170				CT030
400 EGS	94	CK5631	CKF5631	CSK080	DRC169				CT030
400 EGS	96-97	CK5631	CKF5631	CSK129	DRC170				CT030
400 EXC LC4 Engine	93-95	CK5632		CSK011	DRC178				CT075
400 EXC	94	CK5631	CKF5631	CSK080	DRC169				CT030
400 EXC	96	CK5631	CKF5631	CSK129	DRC170				CT030
400 EXC	00-02	CK5602		CSK210	DRC117				CT059
400 EXC Racing	02	CK5612	CKF5612	CSK210	DRC171				CT023
400 EXC-G Racing	02	CK5612	CKF5612	CSK210	DRC171				CT023
400 EXC Racing	05	CK5612	CKF5612	CSK210	DRC154				CT023
400 EXC	07-09	CK5612	CKF5612	CSK210	DRC171				CT023
400 EXC-G Racing	05	CK5612	CKF5612	CSK210	DRC154				CT023
400 EXC-G Racing	06	CK5612	CKF5612	CSK210	DRC171				CT023
EXC 400 4T	09-11	CK5648	CKF5648	CSK140	DRC252				CT041
400 LC-4	98	CK5631	CKF5631	CSK129	DRC170				CT030
400 LC4-E	00-01	CK5631	CKF5631	CSK129	DRC170				CT030
LC4R 400	99	CK5631	CKF5631	CSK129	DRC170				CT030
400 LSE	97	CK5631	CKF5631	CSK129	DRC170				CT030
400 LSE	04	CK5631	CKF5631	CSK129	DRC170				CT030
400 MXC	01	CK5602		CSK210	DRC117				CT059
400 MXC	02	CK5612	CKF5612	CSK210	DRC171				CT023
400 Super Comp	95	CK5631	CKF5631	CSK080	DRC169				CT030
400 Super Comp/EXC	96-99	CK5631	CKF5631	CSK129	DRC170				CT030
RXC-E 400	95	CK5595	CKF5595	CSK011	DRC108	DRCF108			CT007
400 RXC-E	95	CK5632		CSK011	DRC178				CT075
400 RXC-E	96-97	CK5631	CKF5631	CSK129	DRC170				CT030
SC 400 LC4 Engine	95	CK5632		CSK011	DRC178				CT075
SXC 400	97	CK5631	CKF5631	CSK129	DRC170				CT030
400 SX-X	98	CK5631	CKF5631	CSK129	DRC170				CT030
400 SX	99	CK5631	CKF5631	CSK129	DRC170				CT030
SX 400	00-01	CK5602		CSK210	DRC117				CT059
400 SX Racing	02	CK5612	CKF5612	CSK210	DRC171				CT023
400 SXC	00	CK5631	CKF5631	CSK129	DRC170				CT030
400 TXC	98	CK5631	CKF5631	CSK129	DRC170				CT030
SX 440	94								
MXC 440	94								
EXC 440	94-95								
450 EXC Racing	03	CK5612	CKF5612	CSK210	DRC171				CT023
450 EXC-G Racing	03	CK5612	CKF5612	CSK210	DRC171				CT023
450 EXC-G Racing	04	CK5602		CSK210	DRC117				CT059
450 EXC-G Racing	05	CK5612	CKF5612	CSK210	DRC154				CT023
450 EXC Racing	04	CK5602		CSK210	DRC117				CT059
450 EXC Racing	05	CK5612	CKF5612	CSK210	DRC154				CT023
450 EXC	04-05	CK5612	CKF5612	CSK210	DRC154				CT023
450 EXC	06-09	CK5612	CKF5612	CSK210	DRC171				CT023

CLUTCH APPLICATIONS

EBC CLUTCH KITS

MAKE & MODEL	MODEL YEAR	CK Series #	CKF Series #	Spring Kit #	DRC Series #	DRCF Series #	SRC Series #	SRK Series #	CT Tool #
KTM Contd.									
EXC 450 4T/Coil Spring	09-11	CK5648	CKF5648	CSK140	DRC252				CT041
EXC 450 4T/Diaphragm Spring	12	CK5651	CKF5651	CSK910	DRC273				CT023
EXC-F 450 4T/Diaphragm Spring	13-17	CK5651	CKF5651	CSK910	DRC275				CT023
EXC 450 Six Days 4T	11	CK5648	CKF5648	CSK140	DRC252				CT041
EXC 450 Six Days 4T/Diaphragm Spring	12	CK5651	CKF5651	CSK910	DRC273				CT023
EXC 450 Six Days 4T/Diaphragm Spring	13-15	CK5651	CKF5651	CSK910	DRC275				CT023
EXC-F 450 4T/Diaphragm Spring	12-16	CK5651	CKF5651	CSK910	DRC275				CT023
EXC-F 450 4T/Diaphragm Spring	18-23	TBC	TBC	TBC	TBC				
EXC-R 450 4T	08-10	CK5648	CKF5648	CSK140	DRC252				CT041
450 MXC-G Racing	03	CK5612	CKF5612	CSK210	DRC171				CT023
450 MXC-G Racing	04	CK5602		CSK210	DRC117				CT059
450 MXC-G Racing	05	CK5612	CKF5612	CSK210	DRC154				CT023
MXC 450	06	CK5612	CKF5612	CSK210	DRC171				CT023
450 SMR	04-05	CK5612	CKF5612	CSK210	DRC154				CT023
SMR 450	06-07	CK5612	CKF5612	CSK210	DRC171				CT023
SMR 450 Slipper Clutch	08-14								
450 SMS	04	CK5612	CKF5612	CSK210	DRC172				CT023
SX 450 4T	03	CK5612	CKF5612	CSK210	DRC171				CT023
SX 450 4T	04-05	CK5612	CKF5612	CSK210	DRC154				CT023
SX 450 4T	06	CK5612	CKF5612	CSK210	DRC171				CT023
SX-F 450 4T/Coil Spring	07-11	CK5638		CSK136	DRC184				CT009
SX-F 450 4T/Diaphragm Spring	12-13	CK5651	CKF5651	CSK910	DRC273				CT023
SX-F 450 4T/Diaphragm Spring	13-17	CK5651	CKF5651	CSK909	DRC281				CT023
SX-F 450 4T/Diaphragm Spring	18-23	TBC	TBC	TBC	TBC				CT023
EXC-F 450 4T	18-19	CK5651	CKF5651	CSK910	DRC275				
EXC-F 450 4T	18	TBC	TBC	TBC	TBC				
450 SX Quad	09-11	CK5638		CSK136	DRC184				CT009
XC 450 Quad 4T	08-09	CK5612	CKF5612	CSK210	DRC171				CT023
500 Enduro 2T	89	CK5596		CSK084	DRC173				CT075
500 Enduro 4T	89	CK5596		CSK084	DRC173				CT075
EXC 500 4T/Diaphragm Spring	12	CK5651	CKF5651	CSK910	DRC273				CT023
EXC 500 4T/Diaphragm Spring	13-15	CK5651	CKF5651	CSK910	DRC275				CT023
EXC 500 Six Days 4T/Diaphragm Spring	12	CK5651	CKF5651	CSK910	DRC273				CT023
EXC 500 Six Days 4T/Diaphragm Spring	13-16	CK5651	CKF5651	CSK910	DRC275				CT023
EXC-F 500	17	CK5651	CKF5651	CSK909	DRC281				CT023
EXC-F 500	18-23	TBC	TBC	TBC	TBC				CT023
EXC-F 500 Six Days	18-23	TBC	TBC	TBC	TBC				CT023
500 MX 2T	89	CK5596		CSK084	DRC173				CT075
500 MX 4T LC	89	CK5596		CSK084	DRC173				CT075
XC-W 500	16	CK5651	CKF5651	CSK909	DRC281				
SX-F 505	07-09	CK5638		CSK136	DRC184				CT009
505 SX-F Quad	09-12	CK5638		CSK136	DRC184				CT009
520 EXC	00-01	CK5602		CSK210	DRC117				CT059
SX 520	00-01	CK5602		CSK210	DRC117				CT059
520 SX Racing	02	CK5612	CKF5612	CSK210	DRC171				CT023
525 EXC-G Racing	03	CK5612	CKF5612	CSK210	DRC171				CT023
525 EXC	03	CK5612	CKF5612	CSK210	DRC171				CT023
525 EXC Racing	04	CK5602		CSK210	DRC117				CT059
525 EXC-G Racing	04	CK5602		CSK210	DRC117				CT059
525 EXC Racing	05	CK5612	CKF5612	CSK210	DRC154				CT023
525 EXC-G Racing	05	CK5612	CKF5612	CSK210	DRC154				CT023
525 MXC Desert Racing	03	CK5612	CKF5612	CSK210	DRC171				CT023
525 MXC Desert Racing	04	CK5602		CSK210	DRC117				CT059
525 MXC Desert Racing	05	CK5612	CKF5612	CSK210	DRC154				CT023
MXC 525	06	CK5612	CKF5612	CSK210	DRC171				CT023
525 MXC-G Racing	04	CK5602		CSK210	DRC117				CT059
525 SMR	04-05	CK5612	CKF5612	CSK210	DRC154				CT023
525 SX Racing	03	CK5612	CKF5612	CSK210	DRC171				CT023
525 SX Racing	04	CK5602		CSK210	DRC117				CT059
525 SX Racing	05	CK5602		CSK210	DRC154				CT023
SX 525	06	CK5612	CKF5612	CSK210	DRC171				CT023
XC 525 Quad	08-12	CK5612	CKF5612	CSK210	DRC171				CT023
EXC-R 530 4T 9 Friction plate type	08	CK5648	CKF5648	CSK140	DRC252				CT041
EXC 530 9 Friction Plate Type	09-11	CK5648	CKF5648	CSK140	DRC252				CT041
540 SX-C	98-99	CK5639		CSK129	DRC196				CT030
540 SXS Racing	02	CK5612	CKF5612	CSK210	DRC171				CT023
MXC 550	94-96								
SMR 560	06-07	CK5612	CKF5612	CSK210	DRC171				CT023
600 Enduro 4T LC	89	CK5596		CSK084	DRC173				CT075
600 MX 4T LC	89	CK5596		CSK084	DRC173				CT075
620 Duke	94	CK5631	CKF5631	CSK080	DRC169				CT030
620 Duke	97	CK5631	CKF5631	CSK129	DRC170				CT030
620 EGS	94-95	CK5631	CKF5631	CSK080	DRC169				CT030
620 EGS/Adventure	96-97	CK5631	CKF5631	CSK129	DRC170				CT030
620 EGS-E	97	CK5631	CKF5631	CSK129	DRC170				CT030
620 Enduro Ltd	97	CK5631	CKF5631	CSK129	DRC170				CT030

CLUTCH APPLICATIONS

EBC CLUTCH KITS

MAKE & MODEL	MODEL YEAR	CK Series #	CKF Series #	Spring Kit #	DRC Series #	DRCF Series #	SRC Series #	SRK Series #	CT Tool #
KTM Contd.									
620 EXC	94-95	CK5631	CKF5631	CSK080	DRC169				CT030
620 LC-4	98	CK5631	CKF5631	CSK129	DRC170				CT030
620 LC4 Competition	99	CK5639		CSK129	DRC196				CT030
620 LC4 Super Moto	99	CK5639		CSK129	DRC196				CT030
620 LSE	97	CK5631	CKF5631	CSK129	DRC170				CT030
620 RXC-E	96-97	CK5631	CKF5631	CSK129	DRC170				CT030
620 Six Days	96	CK5631	CKF5631	CSK129	DRC170				CT030
620 Super Comp	94-95	CK5631	CKF5631	CSK080	DRC169				CT030
620 Super Comp	96-99	CK5639		CSK129	DRC196				CT030
RXC-E 620	95	CK5595	CKF5595	CSK011	DRC108				CT007
620 RXC-E	95	CK5632		CSK011	DRC178				CT075
620 SC	00-01	CK5631	CKF5631	CSK129	DRC170				CT030
SX 620	94	CK5631	CKF5631	CSK080	DRC169				CT030
SX 620	97-99	CK5639		CSK129	DRC196				CT030
SXC 620	97	CK5631	CKF5631	CSK129	DRC170				CT030
620 Supermoto	98	CK5639		CSK129	DRC196				CT030
620 TXC	98	CK5639		CSK129	DRC196				CT030
625 SC	02	CK5639		CSK129	DRC196				CT030
625 SMC	04-06	CK5639		CSK129	DRC196				CT030
625 SXC	03-04	CK5639		CSK129	DRC196				CT030
640 Adventure-R	98-02	CK5639		CSK129	DRC196				CT030
640 Duke-E	98	CK5639		CSK129	DRC196				CT030
Duke-E 640	98	CK5639		CSK129	DRC196				CT030
Duke II 640	99-02	CK5639		CSK129	DRC196				CT030
Duke II 640	03-07	CK5639		CSK129	DRC196				CT030
640 LC Rallye Dakar	97	CK5631	CKF5631	CSK129	DRC170				CT030
640 LC4	99	CK5639		CSK129	DRC196				CT030
640 LC4	99-00	CK5639		CSK129	DRC196				CT030
640 LC4 Six Days	99	CK5639		CSK129	DRC196				CT030
640 LC4-E	00-02	CK5639		CSK129	DRC196				CT030
640 LC4 Adventure	03-06	CK5639		CSK129	DRC196				CT030
640 LC4 Supermoto	03-04	CK5639		CSK129	DRC196				CT030
660 LC4	97	CK5631	CKF5631	CSK129	DRC170				CT030
660 LC4 Rallye	99-00	CK5639		CSK131	DRC175				CT030
660 Rallye	01-03	CK5633		CSK129	DRC176				CT030
660 Rallye Factory	04	CK5633		CSK129	DRC176				CT030
660 SM Factory Replica	02-03	CK5639		CSK131	DRC175				CT030
660 SMC	03-04	CK5639		CSK131	DRC175				CT030
660 SMS	04	CK5631	CKF5631	CSK131					CT030
690 Duke	08-18	CK5642		CSK131	DRC205				CT069
690 Duke R	10-11	CK5642		CSK131	DRC205				CT069
690 Duke R	13-18	CK5642		CSK131	DRC205				CT069
690 Enduro	08-18	CK5642		CSK131	DRC205				CT069
690 R Enduro	09-23	CK5642		CSK131	DRC205				CT069
690 Rally Factory Replica	07-09	CK5641		CSK131	DRC199				CT030
690 SM	07-09	CK5642		CSK129					CT069
690 SM - LE Limited Edition	10-11	CK5642		CSK131	DRC205				CT069
690 SMC	08-11	CK5642		CSK131	DRC205				CT069
690 SMR	07-11	CK5642		CSK131	DRC205				CT069
690 SMC R	12-18	CK5642		CSK131	DRC205				CT069
Duke 790	17-23	CK5669			DRC320				
Adventure 790	17-23	CK5669			DRC320				
Duke 890	21-23	CK5669			DRC320				
Adventure 890	21-23	CK5669			DRC320				
950 Adventure	02-06	CK5634		CSK130	DRC177				CT015
950 Superenduro R	07-08	CK5634		CSK130	DRC177				CT015
950 Supermoto	05-07	CK5634		CSK130	DRC177				CT015
990 Adventure S	06-08	CK5634		CSK130	DRC177				CT015
990 Adventure R	09-12	CK5634		CSK130	DRC177				CT015
990 Adventure	09-12	CK5634		CSK130	DRC177				CT015
990 Adventure Dakar Edition	11	CK5634		CSK130	DRC177				CT015
990 Superduke	05-11	CK5634		CSK130	DRC177				CT015
990 Superduke R	07-13	CK5634		CSK130	DRC177				CT015
990 Supermoto T SM-T	08-13	CK5634		CSK130	DRC177				CT015
990 Supermoto R SM-R	08-09	CK5634		CSK130	DRC177				CT015
990 Supermoto R SM-R	10-13	CK5634		CSK130	DRC177				CT015
1050 Adventure	15-16	CK5683		TBC			SRC168	SRK168	
1090 Adventure	17-18	CK5683		TBC			SRC168	SRK168	
1090 Adventure L	19	CK5683		TBC			SRC168	SRK168	
1090 Adventure R	17-19	CK5683		TBC			SRC168	SRK168	
1090 Adventure S	19	CK5683		TBC			SRC168	SRK168	
RC8 R 1190cc	13-15	CK5644		CSK161			SRC098	SRK098	CT021
RC8R/Track 1190cc/6 Spring Clutch	10-12	CK5644		CSK161			SRC098	SRK098	CT021
RC8R/Track 1190cc/3 Spring Clutch	13-14	CK5644		TBC					CT021
1190 Adventure	13-16	CK5683		TBC			SRC168	SRK168	
1190 Adventure R	13-16	CK5683		TBC			SRC168	SRK168	

CLUTCH APPLICATIONS

EBC CLUTCH KITS

MAKE & MODEL	MODEL YEAR	CK Series #	CKF Series #	Spring Kit #	DRC Series #	DRCF Series #	SRC Series #	SRK Series #	CT Tool #
KTM Contd.									
1290 Super Adventure	15-16	CK5683		TBC			SRC168	SRK168	
1290 Super Adventure R	17-23	CK5683		TBC			SRC168	SRK168	
1290 Super Adventure S	17-23	CK5683		TBC			SRC168	SRK168	
1290 Super Adventure T	17	CK5683		TBC			SRC168	SRK168	
1290 Super Duke GT	17-19	CK5683		TBC			SRC168	SRK168	
1290 Super Duke R	16-23	CK5683		TBC			SRC168	SRK168	
Rekluse After Market Clutch for EXC 250/300									
2T Models/24 Tooth Steel Plate	03-11	CK5595	CKF5595						CT049
Rekluse After Market Clutch for SX 250/300									
2T Models/24 Tooth Steel Plate	03-11	CK5595	CKF5595						CT049
METRAKIT									
GP 50/70/80	All			CSK266	DRC311				
MODENAS									
Kriss 110/115		CK4438	CKF4438	CSK040					CT070SP
MONTESA-HONDA									
315R 2T	97-04	CK1170	CKF1170	CSK163	DRC250				CT009
4RT 250cc 4T	05-09	CK1171		CSK238					
MORIWAKI/HONDA									
MD 250 H	08-11	CK1305	CKF1305	CSK176					CT001
MD 250 S	08-11	CK1305	CKF1305	CSK176					CT001
MOTOROMA									
Geko 300 Quad	04-06	CK1190	CKF1190						CT013SP
NORTON									
Commando 961 Sport	10-20	CK2358		CSK126			SRC160	SRK160	
Commando 961 Café Racer	10-20	CK2358		CSK126			SRC160	SRK160	
Commando 961 Dominator	15-20	CK2358		CSK126			SRC160	SRK160	
Commando SE/SF	13-15	CK2358		CSK126			SRC160	SRK160	
OHVALE									
GP-0 110cc, 160cc	19-20	CK1119							
ROYAL ENFIELD									
Himalayan	19-22	CK1318		CSK240					
Interceptor 650	21-23	CK1229		CSK202					
SACHS									
XTC 125	00-07	CK3318	CKF3318	CSK034					CT011
X Road 125	06-07	CK3318	CKF3318	CSK034					CT011
TRIUMPH									
Adventurer	96-01	CK5588	CKF5588	CSK068					CT021
America Cast Wheel	07-09	CK5608		CSK015					
Bonneville 800 790cc Up to Engine no. 211132	01-04	CK5597		CSK015					CT009SP
Bonneville 800 From Engine no. 211133	01-04	CK5608		CSK015					
Bonneville America	02-06	CK5608		CSK015					
Bonneville/Bonneville Black 865cc	07-08	CK5608		CSK260					
Bonneville 865cc	09	TBC		CSK258					
Bonneville SE 865cc	09	TBC		CSK258					
Bonneville T-100 790cc Up to Engine no. 211132	02-04	CK5597		CSK015					CT009SP
Bonneville T-100 From Engine No. 211133	02-04	CK5608		CSK015					
Bonneville T-100 865cc	05-09	CK5608		CSK015					
Bonneville - Steve McQueen SE	12	CK5608		CSK015					
Bonneville T100 900cc/Liquid Cooled	16-24	CK5669		CSK244			SRC147	SRK147	CT086SP
Bonneville T100 Black 900cc/Liquid Cooled	16-24	CK5669		CSK244			SRC147	SRK147	CT086SP
Bonneville T120 1200cc Liquid Cooled	16-18	CK5669		CSK243			SRC146	SRK146	CT086SP
Bonneville T120 Black 1200cc Liquid Cooled	16-18	CK5669		CSK243			SRC146	SRK146	CT086SP
Bonneville Bobber 1200cc Liquid Cooled	17-24	CK5669		CSK243			SRC146	SRK146	CT086SP
Bonneville Bobber Black 1200cc Liquid Cooled	18-24	CK5669		CSK243			SRC146	SRK146	CT086SP
Daytona 600	02-05	CK1206	CKF1206	CSK083					CT013SP
Daytona 650	05	CK1181		CSK015					CT014
Daytona 675	06-12	CK1206	CKF1206	CSK135					CT014
Daytona 675 R	11-12	CK1206	CKF1206	CSK228					CT014
Daytona 675	13-	CK5664							
Daytona 675 R	13-	CK5664							
Daytona 750 3cyl	92	CK5588	CKF5588	CSK068					CT021
Daytona 900 3cyl	93-96	CK5588	CKF5588	CSK068					CT021
Daytona 955i 10 Friction Plates	99-06	CK5599	CKF5599	CSK262					CT009
Daytona 1000 4cyl	92	CK5588	CKF5588	CSK015					CT021
Daytona Super III 3cyl	94-97	CK5588	CKF5588	CSK068					CT021
Daytona 1200 4cyl	93-98	CK5588	CKF5588	CSK045					CT021

EBC CLUTCH KITS

MAKE & MODEL	MODEL YEAR	CK Series #	CKF Series #	Spring Kit #	DRC Series #	DRCF Series #	SRC Series #	SRK Series #	CT Tool #
TRIUMPH Contd.									
Legend TT	98-01	CK5588	CKF5588	CSK068					CT021
Rocket III 2300cc	04-09	CK5624		CSK118					CT021
Rocket III Classic	07-09	CK5624		CSK118					CT021
Rocket III Roadster ABS	10-12	CK5624		CSK118					CT021
Rocket III Touring	08-12	CK5624		CSK118					CT021
Speedmaster 800 790cc Up to VIN 210261	03-04	CK5608		CSK015					
Speedmaster From VIN 210262	03-04	CK5608		CSK015					
Scrambler 865cc	06-09	CK5608		CSK015					
Speedmaster 865cc	05-09	CK5608		CSK015					
Speed Triple Carb models	94-97	CK5588	CKF5588	CSK068					CT021
Speed Triple EFI	97-01	CK5589	CKF5589	CSK029					CT009
Speed Triple 955cc From VIN 141872 to 210444	02-04	CK5599		CSK029					CT009
Speed Triple 1050cc	05-08	CK5599		CSK262					CT009
Speed Triple R 1050cc	12	CK5599		CSK262					
Sprint GT 1050	10-12	CK5599		CSK029					
Sprint ST 1050cc From VIN 208167	05-09	CK5599		CSK262					CT009
Rocket III 2300cc All models	04-09	CK5624		CSK118					CT021
Sprint All carb models up to VIN 9082	93	CK5588	CKF5588	CSK068					CT021
Sprint All carb models from VIN 9083	94-98	CK5588	CKF5588	CSK068					CT021
Sprint RS Up to VIN 139276	99-01	CK5589	CKF5589	CSK029					CT009
Sprint RS From VIN 139277	02-04	CK5599		CSK029					CT009
Sprint ST Up to VIN 139276	99-01	CK5589	CKF5589	CSK029					CT009
Sprint ST From VIN 139277 to 208166	02-04	CK5599		CSK029					CT009
Street Cup 900cc Liquid Cooled	16-21	CK5669		CSK244			SRC147	SRK147	CT086SP
Street Scrambler 900cc Liquid Cooled	16-21	CK5669		CSK244			SRC147	SRK147	CT086SP
Street Triple 675	07-16	CK1206	CKF1206	CSK135					CT014
Street Triple R 675	09-16	CK1206	CKF1206	CSK135					CT014
Street Triple S 765	17-24			CSK135					CT014
Street Triple R 765	17-21			CSK135					CT014
Street Triple RS 765	17-21			CSK135					CT014
Street Twin 900cc Liquid Cooled	16-18	CK5669		CSK244			SRC147	SRK147	CT086SP
TT 600	00-03	CK1206	CKF1206	CSK083					CT013SP
Thunderbird	95-03	CK5588	CKF5588	CSK068					CT021
Thunderbird Sport	98-04	CK5588	CKF5588	CSK068					CT021
Thunderbird 1597cc	09-12	TBC		TBC					
Thunderbird Storm 1699cc	11-12	TBC		TBC					
Thrupton 900	04-12	CK5608		CSK015					
Tiger 800	11-12	CK1206	CKF1206	CSK135					CT014
Tiger 800 XC	11-12	CK1206	CKF1206	CSK135					CT014
Tiger 800 XR	18-20	CK1206	CKF1206	CSK135					CT014
Tiger 800 XR from VIN674842	18-21	CK5681					SRC166	SRK166	
Tiger 900cc Up to VIN 71698 Carb Models	93-96	CK5588	CKF5588	CSK068					CT021
Tiger 900cc From VIN 71699 Injection Models	97-98	CK5589	CKF5589	CSK029					CT009
Tiger 955cc Up to VIN 198874	99-04	CK5589	CKF5589	CSK029					CT009
Tiger 955 From VIN 198875	04-06	CK5589	CKF5589	CSK262					CT009
Tiger 1050	07-12	CK5599		CSK029					CT009
Tiger 1050 SE	10-12	CK5599		CSK029					CT009
Tiger Explorer 1200	12	TBC		TBC					
Trident 750	92-98	CK5588	CKF5588	CSK068					CT021
Trident 900	92-98	CK5588	CKF5588	CSK068					CT021
Trophy 900 3cyl	92-01	CK5588	CKF5588	CSK068					CT021
Trophy 1200 4cyl	92-01	CK5588	CKF5588	CSK015					CT021
Thrupton 1200 Liquid Cooled	16-21	CK5669		CSK243			SRC146	SRK146	CT086SP
Thrupton R 1200 Liquid Cooled	16-21	CK5669		CSK243			SRC146	SRK146	CT086SP
VESPA									
V 50	63-90	CK5679							
SS 50	65-73	CK5679							
PK 50	82-93	CK5679							
PK 50 HP	82-93	CK5679							
PK 50 S	82-93	CK5679							
PK 50 SS	82-93	CK5679							
PK 50 XL	82-93	CK5679							
PK 80	82-86	CK5679							
PK 80 S	82-86	CK5679							
SS 90	65-71	CK5679							
V 90	63-86	CK5679							
P 125 ETS	84-85	CK5679							
PL 125 S	82-90	CK5679							
PK 125 XL	86-93	CK5679							
PX 125	77-82	CK5679							
Primavera ET3 125	76-83	CK5679							

CLUTCH APPLICATIONS

CK/CKF CLUTCH KITS BUYERS GUIDE

PART NO.	MAKE/MODEL	YEAR	PART NO.	MAKE/MODEL	YEAR					
CK1105	HONDA SS 50 ZK2/ZB2 CD 50 Benley 50 S CL 50 Benley CL 50	75-80 96-99 97-99		CR 450 RB CR 480 RC	81 82					
			CK1132 ▲=CT009	HONDA CB 250 K3-K5/G5 CJ 250 T/T2 CB 350 K4 CB 360/CJ 360 All models	73-76 ▲ 77 ▲ ▲ ▲					
CK1107	HONDA Z50 RZ-RD C 70/C70M	79-86 -78								
CK1119 ▲=CT088 ■=CT012SP ★=CT012 *=CT002	HONDA CR 80 RE CR 80 CR 85 CB 100 N CA 125 V/W/X CB 125 S/J CB 125 T/T2 CB 125 TDC/TDE CB 125 RS CBF 125 CBR 125 R No judder spring CD 125 TC CG 125 CLR 125 W 'City Fly' CM 125 CC/CF CT 125 C TL 125 S NX 125 K/S/F Transcity XL 125 K2-K4/SZ/SA XL 125 XLR 125 RW XR 125 L CRF 150 F6/F7 CRF 150 R SW CRF 150 RB BW CD 185 T XL 185 SZ/SA/SB ATC 200 XD CD 200 TA CM 200 TA/TB CTX 200 Bushlander TL 200 J/Y TLR 200 D/E/G/H TRX 200 D TRX 200 L/M Fourtrax TRX 200 SX XR 200 RB/RC/RD XR 200 XR 200 R XR 200 R TLR 250 F TRX 250 TM Recon TRX 250 TE Recon ES Electric Shift TRX 250 EX1/2/3/4/5/6/7/8 TRX 250 X9/XA/XB HONDA-DALL'ARA XR 125 SM KAWASAKI KLF 185 A3 OHVALE GP-O 110cc, 160cc YAMAHA MT 125 MT 125 A ABS YZF-R 125 YZF-R 125 A ABS	84 ■ 85-02 ■ 03-07 ■ 78-80 ■ 98-00 ■ 75-79 ★ 78-80 ★ 83-86 ■ 83 ■ 09-15 ■ 07-16 ■ 78 ■ 77-00 ★ 98-03 ■ 82-85 ■ 85 ★ 76 ■ 89-97 ■ 78-79 ■ 79-86 ■ 98-99 ■ 03-08 ■ 06-19 ■ 07-19 * 07-19 * 78 ■ 80-82 ■ 84 ■ 79-80 ■ 79-80 ■ 04-05 ■ 76-78 ■ 83-87 ■ 91-97 ■ 90-91 ■ 86-87 ■ 81-83 ■ 80-84 ■ 81-83 ■ 86-02 ■ 85- ■ 97-14 ■ 02-14 ■ 01-07 ■ 09-11 ■		CK1133 ▲=CT076SP	HONDA CB 750/K1/K2/K3/K4/K5 From E/No.: -1056080	69-75 ▲				
			CK1134	HONDA CB 175 All models CD 175 All models CB 200/CB 200 B SL 350 K0/K1/K2	76-78 69-73					
			CK1135 ▲=CT009	HONDA CB 500/K1/K2	75-77 ▲					
			CK1140 ■=CT013SP	HONDA CB 250 T/N/NA/NB/ND/NBD/NDC CM 250 TB CB 350 SG/SJ CB 400 F/F1/F2 CB 400 T/N/NA/NB/NC CB 450 DX-K CMX 450 CH/CJ Rebel XL 500 SZ/SB/RC	84 ■ 81 ■ 86-88 ■ 75-79 ■ 78-82 ■ 89 ■ 02 ■ 80-82 ■	CK1143 ▲=CT076SP	HONDA GL 1000 K1/K2 'Goldwing' From E/No.: -2002384	77-78 ▲		
						CK1144 ▲=CT002	HONDA CR 125 M2-M4	76-78 ▲		
			CK1145 ▲=CT076SP	HONDA CB 750 F2 CB 750 K6/K7	78 ▲ 76-77 ▲					
			CK1146 ▲=CT009SP	HONDA CB 500 K3 CX 500 CA/CB/Z/A/B/EC GL 500 DC CB 550 F/F1/F2/K3	78 ▲ 79-85 ▲ 82 ▲ 78-80 ▲					
			CK1147	HONDA CB 650 Z/B/SCC CX 650 ED GL 650 D2-E	79-82 83-85 84					
			CK1148	HONDA C 50 Z2/ZZ/ZA C 50 All Models C 50 N Single seat model C 50 P/S/N/X/Y/1/2 CF 50/CF 50 K2 CRF 50 F MP 50 3/DX3 Solo AC17 ST 50 J/K Dax XR 50 1/2/3 ATC 70 All Models C 70 Z CRF 70 F XR 70 R C 90 Cub	78-81 82-93 95 96-02 77-78 04-20 03 78-93 01-03 79-85 77-85 04-13 97-03 82-03	CK1149 ▲=CT078SP	HONDA CB 750 KZ CB 750 FA/FB/F2C CB 900 FZ/FA/FB/F2B/F2C/FD/F2D CB 1100 RB2/RC2/RD2	80 ▲ 79-82 ▲ 80-85 ▲ 80-82 ▲		
						CK1123	HONDA CD 175	67-68		
						CK1130 ▲=CT031	HONDA CB500 T	75-77 ▲		
						CK1131	HONDA CR 250 RB/RC TL 250/TL250 K1 XL 250 K3/K4	81-82 78-79 78-79		

PART NO.	MAKE/MODEL	YEAR	PART NO.	MAKE/MODEL	YEAR
CK1150 ■=CT012SP ▲=CT012	HONDA CB 50 J CB 50 V/W Dream 50 CRM 50 RN/RP/RR/RT MB 50 MBX 50 SD/SF MTX 50 SC NSR 50 FP/FR/FS NSR 50 RV/RW/RX/RY NSR 50 SK/SP/SR/SS TLM 50 F XR 50 M5 AD14 Motard XZ 50 1/2 Ape-AC16 XR 75 K4/K5 CRF 80 F4/F5/F6/F7/F8/F9/FB/FC XR 80 Z/A/B XR 80 R	81 ■	CK1156 HONDA C 90 Z2/ZZ From E/No.: -A073285 ATC 110 All Models CT 110 A/B/C/D/K/M/P/X ATC 125 ME	TRX 500 FM Fourtrax Foreman 4WD TRX 500 FP Fourtrax Foreman TRX 500 TM Fourtrax Foreman TRX 500 FEC Fourtrax Foreman ES 2/4 WD TRX 500 FMC Fourtrax Foreman 2/4 WD TRX 500 FPEC Fourtrax Foreman 2/4 WD XR 500 SZ/SA/RB/RC	05-10 ■
		97-98 ■			08-10 ■
		93-96 ■			05-06 ■
		80-82 ■			12 ■
		83-85 ■			12 ■
		83-87 ■			12 ■
		93-95 ■			12 ■
		97-00 ■			79-82 ■
		89-95 ■			
		85 ■			82 ▲
		05 ▲			83 ▲
		01-02 ▲			▲
		78-79 ▲			
04-12 ▲					
80-81 ▲					
87-88 ▲					
CK1151 CKF1151 ■=CT012SP ▲=CT012	HONDA CR 50 RE/RF NSR 50 V AC10-180 NSR 50 X AC10-190 CR 60 RF/RG CRM 75 R NSR 75 NS-1 CR 80 R MBX 80 FWDD/FWDF MTX 80 RFD/RFF NSR 80 HC06 NSR 80 V HC06-170 NSR 80 X HC06-180 TRX 90 TRX 90 EX TRX 90 X9/XB/XC Astrea Supra NF 100 Astrea Grand/Supra CRF 100 F XL 100 SZ/SA/SB XR 100 R XR 100 M5 HD13 Motard XZ 100 2 APE-HC07 ATC 125 MG CB 125 F GLR 125 1WHF CB 125 F GLR 125 1WHH CBF 125 6 Stunner CBF 125 M7 Stunner H 100 A/SD/SG/SJ TRX 125 J CBF 150 5 CBF 150 M5 Unicorn CBF 150 6 CBF 150 M6/M7 Unicorn CBF 150 M7/M9/MA Unicorn CBF 150 MB/MC Unicorn ATC 185 A/SB/SC/SD ATC 200 B/ESE/ESF/SE YAMAHA XT 125 R 13D3/13D5 4 friction plate clutch XT 125 X 13D4/13D6 4 friction plate clutch YBR 125 ED 3D91/3D92 YBR 125 51D1/2 4 plate clutch YBR 125 Custom	84-85 ■	CK1160 ■=CT013SP HONDA CRM 125 R NSR 125 F NSR 125 R NSR 125 R TRX 350 TE/FE Fourtrax Rancher ES/ES 4x4 NT 400 Bros NC25 NV 400 C/J/CK Steed NV 400 CS/CV Steed NV 400 DC NC40 Shadow Slasher VRX 400 T NC33 VT 500 ED/EF	90-99 ■	
		97 ■		88-92 ■	
		99 ■		89-92 ■	
		85-86 ▲		93-01 ■	
		89-94 ■		00-05 ■	
		92-00 ■			
		80-83 ▲		92-93 ■	
		83-86 ■		95-97 ■	
		83-84 ■		00-02 ■	
		88- ■		96 ■	
		97 ■		83-85 ■	
		99 ■			
		93-06 ■			
		07-08 ■			
		09-14 ■			
		99 ■			
		97-98 ■			
		04-12 ▲			
		78-82 ▲			
		93-03 ▲			
		05 ▲			
		02 ▲			
		86 ■			
		15-16			
		17-18			
		06 ▲			
		07 ▲			
		84-92 ■			
		88 ■			
		05 ▲			
		05 ▲			
		06 ▲			
		06-07 ▲			
07-10 ▲					
11-12 ▲					
80-83 ■					
81-84 ■					
07-11 ▲					
07-11 ▲					
05-12 ▲					
10-16 ▲					
08-16 ▲					
CK1152 ■=CT013SP	HONDA XL 250 S/SZ/SA XR 250 SZ/SA	78-80 ■	CK1163 HONDA CR 250 R/RZ/RA ATC 250 RB/RC/RD	78-80	
		78-80 ■		81-83	
CK1153 ■=CT013SP	HONDA NS 125 FG/FH/RH CB 250 RSA/RSD CL 250 SC XL 250 RB/RC/RD XL 250 SB/RC	86-87 ■	CK1165 ▲=CT002 HONDA VF 400 FD	83-85 ▲	
		81-84 ■			
		81 ■			
		81-83 ■			
		81-82 ■			
CK1154 ■=CT013SP	HONDA TRX 420 F 4WD - Fourtrax TRX 420 F Fourtrax - 4WW TRX 420 TM Fourtrax 2WD FT 500C TRX 500 FE Fourtrax Foreman 4WD-ES	07-11 ■	CK1166 ▲=CT031 HONDA CBX 750 FE VF 750 SC V45 Sabre VF 750 CH VT 750 C 'Shadow' XLV 750 R RD/RF	84-85 ▲	
		09-11 ■		82 ▲	
		07-12 ■		87 ▲	
		82 ■		83 ▲	
		05-10 ■		83-88 ▲	
CK1155 ■=CT013SP	HONDA NS 125 FG/FH/RH CB 250 RSA/RSD CL 250 SC XL 250 RB/RC/RD XL 250 SB/RC	86-87 ■	CK1167 ▲=CT031 ■=CT009 HONDA VF 750 FD/FE XRV 750 L/M/N/P/R/S/T/V/W/X/Y PC 800 Pacific Coast	83-85 ▲	
		81-84 ■		90-03 ■	
		81 ■		89-97 ■	
		81-83 ■			
		81-82 ■			
		88-89 ■			
		88-99 ■			
		84-85 ■			
		97-98 ■			
		83-87 ■			
89-00 ■					
CK1156 ■=CT013SP	HONDA CR 250 RD-RK CR 480 RD CR 500 R NX 500 Dominator XR 500 RD/RE SLR 650 V/W XL 600 R XR 600 R FMX 650 5/6 FX 650 X/Y NX 650 XR 650 L MONTESA-HONDA 315 R 2T	88-89 ■	CK1170 CKF1170 ■=CT009 HONDA CR 250 RD-RK CR 480 RD CR 500 R NX 500 Dominator XR 500 RD/RE SLR 650 V/W XL 600 R XR 600 R FMX 650 5/6 FX 650 X/Y NX 650 XR 650 L MONTESA-HONDA 315 R 2T	83-89 ■	
		83 ■		83 ■	
		84-89 ■		84-89 ■	
		88-99 ■		88-99 ■	
		84-85 ■		84-85 ■	
CK1157 ■=CT013SP	HONDA VF 1000 FE/FF/RE/RF/RG/F2F VT 1100 C2 W/X/Y/1/2/3/4/5 VT 1100 C2 S/T/V VT 1100 C3 W/X/Y	97-98 ■	CK1171 ■=CT009SP MONTESA-HONDA 4RT 250cc 4T	05-10 ■	
		83-87 ■			
		89-00 ■			
		05-08 ■			
		99-03 ■			
CK1158 ■=CT013SP	HONDA TRX 420 F 4WD - Fourtrax TRX 420 F Fourtrax - 4WW TRX 420 TM Fourtrax 2WD FT 500C TRX 500 FE Fourtrax Foreman 4WD-ES	88-01 ■	CK1172 ▲=CT031 ■=CT009 HONDA VF 1000 FE/FF/RE/RF/RG/F2F VT 1100 C2 W/X/Y/1/2/3/4/5 VT 1100 C2 S/T/V VT 1100 C3 W/X/Y	84-86 ▲	
		93-12 ■		98-05 ■	
		97-04 ■		95-97 ■	
				98-00 ▲	
CK1159 ▲=CT053SP	HONDA CX 500 TC 'Turbo' CX 650 TD 'Turbo' GL 1100 A/DA/BI/B/DB	82 ▲	CK1173 HONDA VFR 400 NC21/24 VF 500 F	85-88 ▲	
		83 ▲		84-85 ▲	
		▲			

PART NO.	MAKE/MODEL	YEAR	PART NO.	MAKE/MODEL	YEAR
CK1177 ▲=CT002 Contd.	SUZUKI GSX 400 Impulse Type S RF 400 R GK78A RV 400 RP/RR	94-99 ▲ 93-97 ▲ 93- ▲		VT 250 FD CD250 UJ/UK CMX 250 CT/CV/CW/CX	83 ▲ 88-92 ■ 96-00 ■
CK1180 ■=CT013SP	HONDA MBX 125 FE MTX 125 R MTX 200 RWF XR 200 R XL 250 RE-RF XLR 250 R - 5 Plate 'Baja' XR 250 RE/RF KAWASAKI KLF 220 A1-A15 KLF 250 A	84-86 ■ 83-95 ■ 85 ■ 84-85 ■ 84-85 ■ 84-85 ■ 88-02 ■ 03-11 ■	CK1193 CKF1193 ▲=CT013 ★=CT014 ■=CT013SP ◇=CT080	HONDA ATC 250 RF/RG CRM 250 R MK1 MD24 CRM 250 R MK2 MD24 CRM 250 R MK2 MD24 TRX 250 RG/RH/RJ/RK TRX 400 EX TRX 400 X9 XR 400 R CBR 600 F CARB MODEL HONDA-DALL'ARA XR 400/440 R XR 400/440 SM YAMAHA YZF-R3 ABS MT-03 MT-03	85-86 ■ 89-90 ▲ 91-92 ▲ 93 ▲ 86-89 ▲ 99-08 ▲ 09 ▲ 96-05 ▲ 99-00 ★ 04 ▲ 04 ▲ 15-20 ◇ 16 ◇ 12-20 ◇
CK1181 ▲=CT013 ■=CT013SP ★=CT014	HONDA CRM 250 ARV/ARW MD32 CRM 250 MK3 MD24-140 CRM 250 RR/RR-II MD24 MK3 NSR 250 RG/R2J MC16/18 NSR 250 R5K/R5K-2 NSR 250 R7L/R7N NSR 250 RR CB 400 SS SS2-NC41 CBR 400 RR NC29 CL 400 NC38 XR 400 R5/R6 Motard NC38E XR 400 M Supermotard ND08/NC38E CB 500 CBF 500 XL 600 V Transalp VT 600 C CB 650 F CB 650 FA ABS CBR 650 F CBR 650 FA ABS SUZUKI DR 250 R SJ45A/DOHC DR 250 RX Deibel 250 XC/GPS SJ45A DR-Z 250 K1-K7 DJ43A TRIUMPH Daytona 650	97-98 ▲ 94-96 ▲ 94-96 ▲ 86-88 ▲ 89 ▲ 90 ▲ 94 ▲ 01-05 ▲ 90-94 ■ 98-03 ▲ 05-06 ▲ 06-08 ▲ 94-03 ■ 04-07 ■ 87-00 ■ 92-00 ■ 14-18 ★ 14-18 ★ 14-18 ★ 14-18 ★ 95-00 ▲ ▲ 01-07 ▲ 05 ★	CK1194 ▲=CT013SP	HONDA TRX 250 F/G/H ATC 250 ESF/ESG/ESH/ESJ	85-87 ▲ 85-88 ▲
CK1183 ▲=CT066SP	HONDA CBX 1000 Z/B/C	79-81 ▲	CK1196 ■=CT013SP	HONDA TRX 300 F TRX 350 N TRX 350 FMY/1-5 Fourtrax Rancher/4x4 TRX 400 FWS/TN/W/X/Y TRX 420 FE 4WD - Fourtrax ES TRX 420 TE Fourtrax ES-2WD TRX 450 ES	88-00 ■ 86-93 ■ 00-05 ■ 95-00 ■ 07-11 ■ 07-09 ■ 98-01 ■
CK1186 ▲=CT002	HONDA CR125 RC	82 ▲	CK1199	HONDA CR 125 RZ/RA	79-80
CK1190 CKF1190 ▲=CT013 ■=CT013SP	HONDA CR 125 RD/RE AX-1 NX 250 J/K/R/R3 CBF 250 4/6 NX 250 J/K/L MD21 NX 250 2L/M/P/2P XL 250 Degree XLR 250 R - 6 Plate 'Baja' CRM 250-3 XR 250 XR 250 Y/3 MD30 XR 250 3/5 MD30 Motard XR 250 III Y/3 Baja TRX 300 EX All models TRX 300 X9 XR 350 RD/RE HONDA-DALL'ARA XR 250 R XR 250 SM MOTO ROMA Geko 300 Quad	83-84 ▲ 89-94 ■ 04-06 ■ 87-90 ■ 90-93 ■ ■ 94- ▲ 86-03 ■ 00-03 ■ 03-05 ■ 00-03 ■ 93-08 ■ 09 ■ 83-84 ■ 04 ■ 04 ■ 04-06 ■	CK1200 ▲=CT001	HONDA CR 125 RF	85 ▲
CK1191 CKF1191 ▲=CT012 ■=CT012SP	HONDA CR 125 RB CRF 150 R SW 17"/14" CRF 150 RB BW 19"/16" CB 250 Two Fifty	81 07-20 ▲ 07-20 ▲ 93-05 ■	CK1206 CKF1206 ▲=CT014 ●=CT014SP ■=CT055SP	HONDA CBR 600 F CB 600 F Hornet CBF 600 N ABS CBF 600 S VFR 750 F VF 750 C VFR 800 Fi-W/Fi-X CBR 900 R 893cc Fireblade CBR 900 R 929cc Fireblade CBR 900 R 954cc Fireblade SUZUKI GSXR 600 V/W/X/Y GSXR 600 K4/K5 TRIUMPH TT 600 Daytona 600 Daytona 675 Daytona 675 R Street Triple 675 Tiger 800 Tiger 800 XC	91-98 ● 98-06 ● 04-06 ● 04-06 ● 86-97 ▲ 93-97 ▲ 98-99 ▲ 92-95 ▲ 00-01 ▲ 02-03 ▲ 97-00 ■ 04-05 ▲ 00-03 ● 02-05 ● 06-16 ▲ 11-16 ▲ 07-16 ▲ 11-12 ▲ 11-12 ▲
			CK1210 ▲=CT053SP	HONDA GL 1200 AE/DE/AF	84-85 ▲
			CK1217 ■=CT013SP ▲=CT014	HONDA MTX 200 RWD CBX 250 Twister CBX 250 RSE CRF 250 F GB 250 E/H/J/L/P/S/V 'Custom' YAMAHA XTZ 250 Lander Brasil YAMAHA YBR 250 5D11/3/4 YS 250 Fazer Brasil	83-84 ■ ■ 84 ■ 19-21 ■ 84-97 ■ 07-09 ▲ 07-11 ▲ 06-08 ▲

PART NO.	MAKE/MODEL	YEAR	PART NO.	MAKE/MODEL	YEAR
CK1250 ▲=CT002	HONDA VFR 400 R NC30	89-92 ▲	CK1291 ▲=CT021	HONDA CBR 1100 XX Blackbird CB 1100 XII VTR 1000 SP SC45	99-07 ▲ 00-03 ▲ 00-01 ▲
CK1252 ■=CT012SP ▲=CT012	HONDA CA 125 S/T CB 125 TDJ CBR 125 R4/R5/RS5/RW5/RW6 CG 125 M11/ES4-8 LS 125 R CBR 150 R TA 200 TA Shadow FTR 223 Y/2/A2 MC34 CRF 230 L CRF 230 M Supermoto SL 230 V/W/X/1 XL 230-2 NC36	95-96 ■ 87-89 ■ 04-06 ■ 01-08 ▲ 00- 00-03 ■ 02-05 ■ 00-02 ■ 08-10 ■ 09-10 ■ 97-02 ■ 02 ■	CK1292 ▲=CT011	HONDA VT 125 C XL 125 V	99-08 ▲ 01-11 ▲
CK1253 ▲=CT014 ■=CT013	HONDA VFR 800 Fi-Y/Fi-1 BMW G 310 GS G 310 R	00-01 ▲ 17-20 ■ 17-20 ■	CK1293 CKF1293 ▲=CT001	HONDA CR 125 RY/R1/R2/R3 CR 125 R4/R5/R6/R7 CRF 250 R4/R5/R6/R7 CRF 250 RA GAS-GAS EC 125 2T SM 125 2T Supermotard KTM EXC-F 250 EXC-F 250 4T Six Days SX-F 250 4T XC-F 250 USD XC-F 250 SX-F 250 4T XC-F 250 USD XC-F 250	00-03 ▲ 04-07 ▲ 04-07 ▲ 10 ▲ 00-08 ▲ 03-06 ▲ 07-13 ▲ 11-12 ▲ 05-12 ▲ 11-12 ▲ 12 ▲ 05-12 ▲ 11-12 ▲ 12 ▲
CK1257 ▲=CT031 ■=CT009	HONDA NR 750 N RVF 750 R RC45 XL 1000 V Varadero XL 1000 VA Varadero ABS CB 1100 AD CB 1100 AE CB 1100 EX SAE CB 1300 F3/F13 CB 1300 Superfour CB 1300 A Superfour ABS CB 1300 SA CB 1300 S	92 ▲ 94-98 ■ 03-11 ■ 04-11 ■ 13 ■ 14 ■ 14-16 ■ 03-04 ■ 05-09 ■ 05-09 ■ 05-11 ■ 05-09 ■	CK1295 ▲=CT009	HONDA XR 650 RY/R1-R7 HONDA-DALL'ARA XR 650 R	00-07 ▲ 04 ▲
CK1264 ■=CT056SP	HONDA ST 1100 A Pan European ABS ST 1100 A Pan European ABS ST 1100 Pan European	92-95 ■ 96-02 ■ 90-02 ■	CK1297 ▲=CT021	HONDA ST 1300 A Pan European ABS ST 1300 Pan European ST 1300 A Pan European ABS GL 1800 Goldwing GL 1800 Goldwing	02-07 ▲ 08-09 ▲ 08-15 ▲ 01-05 ▲ 06-15 ▲
CK1265 ■=CT009SP	HONDA CB 400 S Super Four NC39 CB 750 F2	99-05 ■ 92-02 ■	CK1298 ▲=CT021	HONDA VTX 1300 S CTX 1300 CTA Interstate VT 1300 CXA Chopper VTX 1300 CXAA VTX 1800 C	03-08 ▲ 11-15 ▲ 10-12 ▲ 10-11 ▲ 02-08 ▲
CK1284 ▲=CT014	HONDA CBR 900 RRT/RRV 918cc	96-97 ▲	CK1299 ▲=CT009	HONDA CB 1300 FW/FX/FY/F1 SC40	98-01 ▲
CK1285 ▲=CT068SP	HONDA GL 1500 CV/CW/CX/CY/C1/C2 'F6C' GL 1500 SEV/SEW/SEX/SEY GL 1500 J-SES	97-02 ▲ 97-00 ▲ 88-96 ▲	CK1300 ▲=CT021	HONDA VTR 1000 SP2	02-07 ▲
CK1286 ▲=CT021	HONDA CBR 1100 XXV/XXW 'Blackbird'	97-98 ▲	CK1302 CKF1302 ▲=CT009	HONDA TRX 450 R TRX 700 X	04-08 ▲ 08-11 ▲
CK1287	HONDA CBR 750 FH/FJ Superaero	87-88	CK1303 ■=CT009	HONDA CBR 1000 RR CB 1000 R CB 1000 RA ABS CBF 1000 CBF 1000 A ABS CBF 1000 S CBF 1000 T GT CBF 1000 FA FAA CBF 1000 FS FSA CBF 1000 FT FTA	04-07 ■ 09-15 ■ 09-16 ■ 06-11 ■ 06-10 ■ 07-11 ■ 07-16 ■ 10-15 ■ 10-11 ■ 10-11 ■
CK1288 Dry Clutch ■=CT071SP	HONDA NSR 250 R2R/R3R/R2T/R3T NSR 250 R6K/R6K-2 NSR 250 R8L-3/R9L/R8N/R8N-3 NSR 250 R9N RGV 250 T RGV 250 SP	94 ▲ 89 ▲ 90-92 ▲ 92 ▲ 96 ▲	CK1304 ■=CT012SP	HONDA CRF 150 F3/F4/F5 CRF 230 F4/F5/F6/F7/F8/F9	03-05 ■ 04-09 ■
CK1289 ▲=CT002	HONDA RVF 400 RR/RR-II/RT/RT-II NC35 -100/110	94-96 ▲	CK1305 CKF1305 ▲=CT001	HONDA CRF 250 X CRF 250 XRL Road Legal CRF 250 R8-R9 CRF 250 RB/RC/RD/RE/RF/RG/RH	04-17 ▲ 14-16 08-09 ▲ 11-20 ▲

PART NO.	MAKE/MODEL	YEAR	PART NO.	MAKE/MODEL	YEAR
CK1305 CKF1305 ▲=CT001 Contd.	CRF 250 RE Limited Road Use CRF 250 RX MD 250 H MD 250 S	16 ▲ 18-20 ▲ 08-11 ▲ 08-11 ▲	CK2207 ▲=CT044	YAMAHA YB 100	78-92 ▲
CK1307	HONDA ANF 125 3/5/T5/6/T6/7/A Innova	03-11	CK2208 ▲=CT039	YAMAHA RS 100 AG 100 E 'Farm Bike' AG 100 J 3HAA	75-76 ▲ 93 ▲ 82 ▲
CK1308 ▲=CT009	ELSTARS PIT BIKES Various models		CK2209 ▲=CT039	YAMAHA DT 125 DT 175 RD 200 DX RS 200	74 ▲ 74-75 ▲ 76-81 ▲ 79-80 ▲
CK1312 CKF1312 ▲=CT043SP	HONDA CBR 1000 RR Fireblade Diaphragm Type Clutch VFR 1200 FA Manual Gearbox Model CBR 1000 RR-SP ABS Fireblade CBR 1000 RR-SP ABS-TT Edition	08-16 ▲ 10-15 ▲ 14-16 ▲ 16 ▲	CK2223	YAMAHA DT 250 MX	77-80
CK1313 CKF1313	HONDA CBR 250 R CBR 250 RA ABS	11-13 11-13	CK2226 ▲=CT017 ■=CT074	YAMAHA XS 650 YZF R1	75-79 ■ 98 ▲
CK1314 CKF1314 ■=CT081SP	HONDA CRF 250 L CRF 250 ME Supermoto CRF 250 RL/RLA Rally CB 300 FA ABS CBF 300 NA CBR 300 RA ABS	13-20 ▲ 14-15 ▲ 17-20 ▲ 15 ▲ 18-20 ▲ 14-19 ▲	CK2230 ▲=CT076SP	YAMAHA XS 1100 /1100 S	78-81 ▲
CK1315 ■=CT084SP	HONDA Monkey 125 MSX 125 Grom MSX 125 A Grom ABS	19-20 ▲ 13-20 ▲ 17-20 ▲	CK2234 ▲=CT039	YAMAHA YZ 100 E/F/G/H/K IT 125 G/H/J TW 125 5rs 5 friction plate type TY 125 YZ 125 C YZ 125 F/G TY 175 TW 200 2JL/4CS1/2/3/5 TW 200 E 4CS4/6/5LB1/2 TW 225 E 5VC1/2	78-83 ▲ 80-82 ▲ 03-04 ▲ 80-82 ▲ 76 ▲ 79-80 ▲ 77-80 ▲ 91-98 ▲ 98-01 ▲ 02-03 ▲
CK1317 CKF1317 ▲=CT092	HONDA CRF 450 R 6 Spring CRF 450 RXH 18" Rear Wheel CRF 450 X	17-20 ▲ 17-20 ▲ 18-20 ▲	CK2235 ▲=CT039	YAMAHA YZ 125 D/E YZ 125 H IT 175 G-J IT 200 L	77-78 ▲ 81 ▲ 80-82 ▲ 84 ▲
CK1318 ▲=CT091	AJP PR5 250 Trials PR5 250 Supermoto PR5 250 Enduro PR5 250 Extreme	13-17 ▲ 13-17 ▲ 13-17 ▲ 13-17 ▲	CK2236 ▲=CT039	YAMAHA DT 100 AS3 125 125 DT 125/125F/125E/125 MX RD 125 RD 125 DX RS 125/125 DX DT 175	76-80 ▲ 71-72 ▲ 76-81 ▲ 71-72 ▲ 75-76 ▲ 75-76 ▲ 76-77 ▲
CK1319 CKF1319 ▲=CT009	HONDA CRF 1000 LAG ABS CRF 1000 L	16-20 ▲ 16 ▲	CK2238 ▲=CT044	YAMAHA RZ 50 5FC1/2 DT 80 LC1 RD 80 LC YZ 80 G DT 80 MX Type 36N DT 80 MXS YZ 80 D	02 ▲ 81-84 ▲ 82 ▲ 80 ▲ 83-85 ▲ 84 ▲ 77 ▲
CK1323	HONDA CB 500 F CB 500 FA ABS CB 500 X CB 500 XA ABS CBR 500 R CBR 500 RA ABS	13-18 13-18 13-18 13-18 13-18 13-18	CK2240 ▲=CT008	YAMAHA DT 250 RD 250/A/B RD 250 C/D/E/F RD 250 LC RZ 250 R 1AR/1XG RZ 250 R 29L RZ 250 RR 51L RZ 250 4L3 TY 250 D/E YDS7 250cc R5/5A/5B 350cc RD 350/A/B RD 350 LC/YPVS RD 350 N/F/F2/R TT 350 ITJ TT 350 A 3GJ	75-76 ▲ 73-75 ▲ 76-79 ▲ 80-82 ▲ ▲ ▲ ▲ 77-78 ▲ 72 ▲ 70-72 ▲ 73-75 ▲ 80-84 ▲ 85-95 ▲ 85-89 ▲ 90-95 ▲
CK1325	HONDA CRF 125 F CRF 125 FB	14-21 14-21			
CK1332	HONDA CB 1100 EX	16-19			
CK2205 ▲=CT044	YAMAHA DT 50 M/MX FS1E/FS1DX/FS1/FS1SE RD 50/M/MX TY 50M 2KO	80-95 ▲ 74-90 ▲ 80-87 ▲ 80 ▲			
CK2206 ▲=CT044	YAMAHA DT 50 M DT 50 MX Type 5J2/12Y DT 50 LC RD 50 M TY 50/TY 50 M 1F4/1G7 YZ 50 G-K TY 80 RD 80	78-79 ▲ 81-83 ▲ 98 ▲ 78-79 ▲ 77-78 ▲ 80-83 ▲ 77-83 ▲ 82 ▲			

PART NO.	MAKE/MODEL	YEAR	PART NO.	MAKE/MODEL	YEAR
CK2240 ▲=CT008 Contd.	XT 350 YFM 350 FX 'Wolverine' All models DT 400 RD 400 C-F	85-95 ▲ 95-03 ▲ 75-76 ▲ 76-79 ▲		XJ 900/900 F XJ 900 S Diversion	83-92 ■ 95-03 ■
CK2242 ▲=CT074	YAMAHA XS 650 XS 650 SE	80-81 ▲ 79-81 ▲	CK2256 ▲=CT039SP	YAMAHA SR 125 SE SR 125 XT 125 5EK 4 friction plates TW 125	81-83 ▲ 89-03 ▲ 99-02 ▲ 82-83 ▲
CK2244 ▲=CT008	YAMAHA YZ 250 G YZ 250 D/E	80 ▲ 77-78 ▲	CK2261 ▲=CT008	YAMAHA SR 250 4GR1/2/3/4 5 plate clutch SR 250 Classic 2IL 5 plate clutch SRX 250	94-96 ▲ 96-00 ▲ ▲
CK2245 ▲=CT039	YAMAHA DT 175 MX	78-81 ▲	CK2262 ▲=CT017	YAMAHA XS 400	82 ▲
CK2250 ▲=CT008	YAMAHA XVS125 Dragstar 5XJ3/5XJ5/5XJ7 IT 250 G XS 250 SE/C YZ 250 F XVS 250 Dragstar	01-04 ▲ 80 ▲ 80-81 ▲ 79 ▲ 01-03 ▲	CK2267 ▲=CT008	YAMAHA SR 250 3Y8 US Custom 6 plate clutch SR 250 SE Special 3Y8 6 plate clutch XT 250	80-81 ▲ 81-83 ▲ 80 ▲
CK2254 CKF2254 ▲=CT044	YAMAHA DT 80 LC2 YZ 80 E/F RS 100/RS 100 'S' RS 100 IY8 Europe RS 100 IY8 Europe RS 100 S IY8 UK RS 100/RS 100 DX RS 100 DX IY8 Europe RS 100 IY9 UK RS 100 RT 100 E/F/K RXS 100 RX 115 5FS3 RD 125 DX RS 125 TT-R 125 BW XT 125 R 3D61/3D63 XT 125 R 13D1 XT 125 X 3D62/3D64 XT 125 X 13D2 XTZ 125 K/K XYZ 125 5RM YBR 125 E/K ED	85-97 ▲ 78-79 ▲ 77-78 ▲ 77-78 ▲ 80-82 ▲ 77-78 ▲ 79 ▲ 79 ▲ 79-81 ▲ 80-81 ▲ 93-03 ▲ 83-97 ▲ 99 ▲ 78-81 ▲ 77-81 ▲ 00-20 ▲ 05-06 ▲ 07 ▲ 05-06 ▲ 07 ▲ 05-10 ▲ 03-10 ▲ 00-08 ▲	CK2273 ■=CT008SP	YAMAHA XS 850	80 ■
			CK2274 CKF2274 ▲=CT020	YAMAHA WR 250 Z YZ 250 2T WR 450 F 4T WR 450 F 4T YZ 450 F 4T YZ 450 F YZ 450 FG 60th Anniversary Edition YZF 450 RS XV 750 SE XV 750 Virago XV 1000/TR1 BT 1100 Bulldog XV 1100 Virago XVS 1100 A Dragstar Classic XVS 1100 Dragstar	94-98 ▲ 93-20 ▲ 05-15 ▲ 16 -20 ▲ 07-15 ▲ 16-20 ▲ 16-20 ▲ 11-14 ▲ 81 ▲ 92-97 ▲ 81-86 ▲ 02-06 ▲ 89-00 ▲ 00-07 ▲ 99-03 ▲
			CK2276	YAMAHA YZ 125 J	82
CK2255 CKF2255 ■=CT008SP	YAMAHA FZ 400 N 1FK XJR 400 XS 500 B/C/D FZ 600 FZ6 Fazer FZ6 FZ6 IB3/IB3D FZ6 S2 ABS FZ6 Fazer S2 ABS FZ6-NS IB35/6 FZ6-Fazer Half Fairing 5VX/5VXL FZ6-Fazer ABS Half Fairing FZ6 Fazer S2 ABS Half Fairing FZ6 Fazer S2 Half Fairing 4S81/4S8 FZ6 S2 SS51/SSS XJ 600 XJ 650 XJ 650 Turbo XJ 600 S/N Diversion YX 600 S Radian YZF R6 XJ 650 Maxim XJ 650 LH Midnight XJ 650 RJ/LK Seca FZX 700 Fazer FZ 750 XJ 750 XJ 750 R Seca XTZ 750 TDM 850	85- 93-99 ■ 78-79 ■ 87-88 ■ 04-07 ■ 04-07 ■ 04-07 ■ 07-08 ■ 07-08 ■ 05-06 ■ 04-07 ■ 06-07 ■ 08 ■ 07-09 ■ 07-09 ■ 84-92 ■ 80-84 ■ 82 ■ 92-03 ■ 86-90 ■ 99-05 ■ 80-83 ■ 81 ■ 82-83 ■ 86-87 ■ 85-86 ■ 82-83 ■ 81-83 ■ 89-95 ■ 91-95 ■	CK2278 ▲=CT054SP	YAMAHA YZ 125 K-T	83-87 ▲
			CK2279 CKF2279 ▲=CT008 ■=CT008SP	YAMAHA IT 250 H/J YZ 250 H XS 250 C/D/E YFZ 350 XS 400 XS 400 SE YZ 400 D-F IT 425 G IT 465 H/J YZ 465 G/H XS 750 XS 750 SE	81-82 ▲ 81 ▲ 78-80 ▲ 87-06 ▲ 78-79 ▲ 80 ▲ 77-79 ▲ 80 ▲ 81-82 ▲ 80-81 ▲ 77-79 ■ 79-80 ■
			CK2280 ▲=CT060	YAMAHA IT 250 L YZ 250 J-T YTZ 250 N/S IT 490 L YZ 490 J-U WR 500 ZD	84 ▲ 82-87 ▲ 85-86 ▲ 84 ▲ 82-88 ▲ 92-93 ▲
			CK2281	YAMAHA DT 125 LC Type 10V/12W/26G	82-83

PART NO.	MAKE/MODEL	YEAR	PART NO.	MAKE/MODEL	YEAR
CK2283 ▲=CT044	YAMAHA DT 125 LC Type 35A DT 125 3TT4 RD 125 LC Mk1 - 3 RZ 125 1GV 030101- RX 135 13X	85-87 ▲ 96 ▲ 82-87 ▲ 85 ▲ 81 ▲		TT 600 R 5CH2 TT 600 R 5CH3/4 TT 600 RE 5CH5 Electric Start XT 600 XT 600 Z/E XT 600 Z Kick & Electric Start XT 600 E Electric Start SZR 660 YFM 660 R Raptor XTZ 660 Tenere DERBI Mulhacen 659	98-99 ▲ 00-02 ▲ 04 ▲ 84-87 ▲ 84-03 ▲ 86-90 ▲ 90-03 ▲ 96-97 ▲ 01-05 ▲ 91-97 ▲ 06-07 ▲
CK2285 ▲=CT017	YAMAHA FJ 1100 XJR 1200 FJ 1200/1200 A XJR 1300 L XJR 1300 M XJR 1300 5EA1/5EA7 XJR 1300 5EA9/5EAG XJR 1300 N/P XJR 1300 R/S XJR 1300 XJR 1300 C / Racer XJR 1300 SP L XJR 1300 SP M XJR 1300 SP N	84-85 ▲ 95-98 ▲ 86-95 ▲ 99 ▲ 00 ▲ 98-99 ▲ 00 ▲ 01-02 ▲ 03-04 ▲ 05-14 ▲ 15-16 ▲ 99 ▲ 00 ▲ 01 ▲	CK2299 ▲=CT020	YAMAHA XVS 400 XV 535/535 S 'Virago'	96 ▲ 88-03 ▲
CK2287 ▲=CT010 ■=CT010SP	YAMAHA YZ 80 H/J/K/L/N YTM 225 DRN YFM 200 D YFM 225 YFB 250 YFM 250 YFM 250 X Bear Tracker YFM 250 FN YFM 250 Bruin YFM 250 Big Bear YFUIWT YFUIW/TW Pro Hauler Pro 4 230cc	81-85 ▲ 85 ■ 86-90 ■ 85-89 ■ 92-00 ■ 90-92 ■ 99-03 ■ 01 ■ 05-06 ■ 07-10 ■ 89-90 ■ 89 ■	CK2300 ▲=CT050SP	YAMAHA XVZ 12 TD V-Max All models XVZ 13 Royal Star All models	85 ▲ 91-03 ▲ 96-01 ▲
CK2290 CKF2290 ▲=CT008 ■=CT090SP	YAMAHA YFM 350 F Big Bear YFM 350 F YFM 350 ER YFM 350 X YFM 350 Raptor YFM 350 UH/UJ DT 400 MX YFM 400 F Kodiak YFM 400 FPR	86-93 ■ 94-97 ■ 92-95 ■ 92-03 ■ 04-10 ■ 96-97 ■ 77-79 ▲ 93-00 ■ 03 ■	CK2302	YAMAHA T 50	86
CK2292 ▲=CT039 ■=CT061	YAMAHA WR 125 R WR 125 X Supermoto YZF-R 125 AG 200 E 3GX6	09-15 ■ 09-16 ■ 08-13 ■ 93 ▲	CK2303	YAMAHA V 50 M/P YFM 50 Raptor YFM 80 Badger YFM 80 Raptor YFM 80 G Grizzly T 80 PW 80 All models V 80	75-77 04-08 91-01 02-08 05-08 83-97 83-05 79-85
CK2295 ▲=CT060	YAMAHA TY 250 S/R	84-92 ▲	CK2304 ▲=CT010	YAMAHA YZ 80 S/T/U/W/E/LC/LW/F YZ 65 J TZR 125 2RK/3PC1/2/3 YTM 200 EL/DX	86-94 ▲ 19-20 ▲ 87-92 ▲ 89 ▲
CK2296 ▲=CT008	YAMAHA SR 400 3HT1 SR 400 2RD SR 500 SR 500 S 3GWS ST 500 3GW1/3/4/6/7 TT 500 G/H XT 500 XZ 550	88 ▲ 14-16 ▲ 78-82 ▲ 98 ▲ 96-98 ▲ 80-81 ▲ 77-81 ▲ 82 ▲	CK2305 ▲=CT017	YAMAHA RD 500 LC RZV 500 R Six	84-86 ▲ 85 ▲
CK2297 CKF2297 ▲=CT008	YAMAHA SRX 400 1JL SRX 400 XT 550 SRX 600 SRX 600 1JK/3SX TT 600 L TT 600 N 59X 000101- TT 600 W 2JT/3SW1 #59X 007853 TT 600 K TT 600 E Electric Start TT 600 R 5CH1	90-96 ▲ 83 ▲ 86-87 ▲ 85-91 ▲ 84 ▲ 85-88 ▲ 89-92 ▲ 93-01 94-95 ▲ 97 ▲	CK2306 CKF2306 ■=CT008SP	YAMAHA XJ6-N 600cc 20S XJ6-S Diversion 600cc Top Fairing - 36C XJ6 SP XJ6-F Diversion 600cc Full Fairing - 1CW1 FZ 750 FZX 750	09-15 ■ 09-15 ■ 13 ■ 10-15 ■ 87-92 ■ 87 ■
			CK2308 ■=CT008SP	YAMAHA FZR 750 FZR 1000	87 ■ 87-88 ■
			CK2309 ▲=CT020	YAMAHA WR 250 Z YZ 250 YZ 250 W XVS 650 Dragstar XVS 650 A Dragstar Classic MT-07 MT-07A ABS MT-07 Motocage ABS XSR 700 ABS MTM 690-U	91-93 ▲ 88-92 ▲ 89-90 ▲ 97-03 ▲ 98-07 ▲ 14-20 ▲ 14-20 ▲ 15 ▲ 16 ▲
			CK2310 ▲=CT008	YAMAHA YZ 400 FK/FL WR 400 FK/FL/FM XT 550	98-99 ▲ 98-00 ▲ 82 ▲
			CK2311 ▲=CT054SP	YAMAHA YZ 125 W/A	89-90 ▲

PART NO.	MAKE/MODEL	YEAR	PART NO.	MAKE/MODEL	YEAR
CK2312 ▲=CT054SP	YAMAHA YZ 125 U	88 ▲	CK2325 CKF2325 ▲=CT005	YAMAHA YZ 125	93-16
CK2313 CKF2313 ▲=CT010	YAMAHA DT 125 R DT 125 X DT 125 RE TDR 125 3HS1/3XD0/3HS3/3XD1 TDR 125 4GH/GW1/2/3/4 TDR 125 R Lightburner 3SH2/3XE2 TZR 125 RR 4DL3 TZR 125 3JB/4JB/HHW/4HX TZR 150 R 4AP20 DT 200 2LR DT 200 WR 3XP SDR 200 YFS 200 Blaster WR 200 D/E/F DT 230 4TP1/2 Lanza	88-03 ▲ 05-06 ▲ 04-07 ▲ 89-93 ▲ 93-03 ▲ 93-94 ▲ 94-95 ▲ 93-95 ▲ 00 ▲ 87 ▲ 92-93 ▲ ▲ 91-06 ▲ 92-94 ▲ 97-98 ▲	CK2327 ■=CT008SP CK2331 ▲=CT010	GTS 1000 FZR 1000 YZF 1000 Thunder Ace YAMAHA FZR 250 FZR 250 R FZX 250 Zeal 3YX1/2/4	93-96 ■ 93-95 ■ 96-02 ■ 87 ▲ 91-92 ▲
CK2315 ▲=CT010	YAMAHA FZR 400 RSP 2TK-EXUP FZR 400 RRSF 3TJ2/6/7 FZR 600	87 ▲ ▲ 89-93 ▲	CK2332 CKF2332 ▲=CT054SP	YAMAHA FZR 600 R YZF 600 Thunder Cat	94-95 ▲ 96-03 ▲
CK2316 ▲=CT008	YAMAHA XV 125 Virago XVS 125 Drag Star 5XJ1 XVS 125 Drag Star 5XJ3/5XJ5/5XJ7 SRV 250 'Soulful Twin/Renaissa' XV 250 Virago XV 250 S 'Virago'	97-02 ▲ 00 ▲ 01-04 ▲ 96-97 ▲ 89-94 ▲ 95-00 ▲	CK2334 ▲=CT008	YAMAHA XT 500 C	76 ▲
CK2317 ▲=CT010	YAMAHA FZR 400 RR FZR 400 Genesis 1WG FZR 400 3EN1/3EN2 FZR 400 RR 3TJ1	92 ▲ 86 ▲ 88-89 ▲ ▲	CK2335 CKF2335 ▲=CT010	YAMAHA YZ 80	95-01 ▲
CK2318 CKF2318 ■=CT008SP	YAMAHA YZF R6 FZR 750 R OW01 YZF 750 R/SP TDM 850 TRX 850 TDM 900 Non ABS/5PS TDM 900 A 2B0 ABS	06-18 ■ 89-90 ■ 93-97 ■ 96-08 ■ 96-98 ■ 02-14 ■ 05-13 ■	CK2342 ▲=CT008	YAMAHA TZR 250 3MA1 Reverse Cylinders TZR 250 3MA3/3MA5 Reverse Cylinders	87 ▲ 90 ▲
CK2319 ▲=CT005	YAMAHA YZ 125 B/D TDR 250 3CK1/3CK2 Europe	91-92 ▲ 88-92 ■	CK2347 ▲=CT054SP	YAMAHA FZS 600 Fazer	98-03 ▲
■=CT025	YAMAHA TT 250 RM 4PX6 TY 250 Z TZR 250 2MA/2XW1/2XW2 Europe TZR 250 1KT/2AW Japan TZR 250 2XT1 Japan TZR 250 R 3XV1/3X4/3XV6 R1-Z 250cc/3XC WR 250 XX/XY WR 250 R	00 ▲ 93-96 ▲ 87-92 ■ 87 ■ 88 ■ 91-93 ▲ 90-92 ▲ 08-15 ▲ 08-20 ▲	CK2348 4 plate kit	YAMAHA DT 50 R DT 50 X Supermotard TZR 50 4 plate kit APRILIA AF1 Futura 50 Classic 50 Europa 50 MX 50 Pegaso 50 RS 50 RX 3-5 Marce RX 50 All models Tuono 50	97-08 04-08 04-15 90-92 92-01 90-92 03-05 92-94 93-05 91-94 03-04 03-04
CK2321 ■=CT008SP	YAMAHA FZR 1000	89-92 ■	CK2349 5 plate kit	YAMAHA TZR 50 5 plate kit	97-03
CK2324 ▲=CT039	YAMAHA XT 225 3RW4 Serrow 1KH 080101- XT 225 3RW1/2/4/5 Serrow 1KH- XT 225 S 3RW3 1KH- 202101-109000 XT 225 W 4JG1/2/3/4 Serrow XT 225 WE 4JG5/6 Serrow XT 225 4vw1/3/5/7/9 4vwa/b/d/g/j/l Brasil ST 225 5BT Bronco	92 ▲ 89-93 ▲ 92 ▲ 93-96 ▲ 97-98 ▲ 97-06 ▲ 97 ▲	CK2350 ▲=CT017 CK2351 ▲=CT050SP CK2352 CKF2352 ▲=CT020	YAMAHA YZF R1 YAMAHA XV 1600 A YAMAHA YZ 426 FM WR 450 FS YZ 450 F MT-09 1RC MT-09 Tracer ABS MT-09A 2DR ABS MT-09A Sport Tracker ABS MT-09A Street Rally ABS YZF-R1	99-03 ▲ 99-03 ▲ 00 ▲ 04 ▲ 03-06 ▲ 14-16 ▲ 15-20 ▲ 14-20 ▲ 14-20 ▲ 14-20 ▲ 09-14 ▲
			CK2353 ▲=CT020	YAMAHA YZF R7	99-00 ▲
			CK2354	YAMAHA TT-R 90 M/N/P/R/ES/S/ET/T/EV/EW T 90 N/D 4NM1-9 Mate	00-07 00

PART NO.	MAKE/MODEL	YEAR	PART NO.	MAKE/MODEL	YEAR
	T 105/105 E Crypton V 110 ZE/ZK/ZHE/ZHK FIZR/FIZR Sporty T 105 E 5ER1/2 Crypton-R	96 96 99	CK2370 CKF2370 ▲=CT005	YAMAHA XT 250 Serrow 3C51/2 TT 250 R 4GY1 Japan TT 250 R 4RR1/2 Japan TT 250 R 4MR2 UK TT 250 RL 4PX5 TT 250 R 4GY3/4GY5/4WA1 Raid XG 250 Tricker 5XT1 XT 250 X 5C1 YFM 250 RX/RV Raptor YFM 250 R 338 YFM 250 R IBT	05-08 ▲ 93-94 ▲ 95-97 ▲ 96 ▲ 99 ▲ 94-96 ▲ 04-06 ▲ 06-08 ▲ 08-09 ▲ 09-11 ▲ 12-13 ▲
CK2355 CKF2355 ▲=CT005 ■=CT020	YAMAHA WR 250 F 4T WR-F 250 4T/Reverse Cylinder YZ 250 F 4T YZ 250 F 4T YZ 250 FE/FF 4T YZ 250 FG 270mm Disc YZ 250 FGY 60th Anniversary Edition	01-13 ▲ 15-21 ▲ 01-07 ▲ 08-13 ■ 14-15 ■ 16-18 16	CK2371 ▲=CT010	YAMAHA FZ 400 4YR1	96 ▲
CK2356 CKF2356 ▲=CT020	YAMAHA YZ 426 F WR 426 F WR 450 FR YZF R1 YZF R1SP FZ1 2D11 FZ1 Fazer 3C3 Half Fairing FZ1 Fazer Half fairing - ABS - 5DO FZ1 N/NA	01-02 ▲ 01-02 ▲ 03- 04-08 ▲ 06 06-09 ▲ 06-15 ▲ 08-15 ▲ 10-15 ▲	CK2375	YAMAHA TT-R 110 E	08-20
CK2358 ■=CT008SP	YAMAHA FZS 1000 Fazer YZF-R6	01-05 ■ 18-24 ■	CK2378	YAMAHA XP 500 T-Max Scooter - All models	01-11
CK2361 CKF2361	YAMAHA YZ 250 F 4T	16-21 ■	CK2379 ▲=CT017	YAMAHA XVS 950 A Midnight Star XV 950 - XVS 950 XV 950 CU - XVS 950 XV 950 R - XVS 950 R XV 950 Racer	09-13 ▲ 14 ▲ 14-15 ▲ 14-15 ▲ 15-16 ▲
CK2362 ▲=CT017	YAMAHA XTZ 1200 Super Tenere ABS XT 1200 ZE Super Tenere ABS FJR 1300 A ABS FJR 1300 AS ABS Electric Shift FJR 1300 AE FJR 1300 XVS 1300 A Midnight Star XVS 1300 CU Custom	10-16 ▲ 14-16 ▲ 03-15 ▲ 06-15 ▲ 14-15 ▲ 01-04 ▲ 07-16 ▲ 14-16 ▲	CK2380 ▲=CT017	YAMAHA XV 1700 V-Max	09-16 ▲
CK2363 ▲=CT050SP	YAMAHA XV 1700 PCR	03-05 ▲	CK2382	YAMAHA T Max 530 ABS T Max 530 DX ABS T Max 530 SX ABS T Max 530 Black Max ABS T Max 530 Bronze Max ABS T Max 530 Iron Max ABS	12-19 17-19 17-19 13 14 15
CK2364 CKF2364 ▲=CT020	YAMAHA YFZ 450 YFZ 450 R Quad YFZ 450 B/D YFM 700 R YFM 700 RSE FZ8 N-800cc FZ8 NA-800cc ABS Fazer 8 S-800cc Fazer 8 SA-800cc ABS	04-08 ▲ 09-10 ▲ 13-14 ▲ 06-14 ▲ 13-14 ▲ 11-15 ▲ 11-15 ▲ 11-15 ▲ 11-15 ▲	CK2387 CKF2387	YAMAHA YZ 250 F	19-21
CK2365 ▲=CT044	YAMAHA DT 175 3TS4	96 ▲	CK2388	YAMAHA XSR 900 ABS	18-20
CK2366 ▲=CT017	YAMAHA MT-01 1670cc MT-01S 5YUR	05-10 ▲ 09 ▲	CK2389	YAMAHA YFZ 450 R	14-21
CK2367 ▲=CT017	YAMAHA XV 1900 A	06-12 ▲	CK3306 ▲=CT052	SUZUKI B 120 T 125/T 125 -11/R 'Stinger'	▲ 69-71 ▲
CK2368 ▲=CT020	YAMAHA XT 660 R XT 660 X XT 660 R XT 660 R XT 660 Z Tenere XT 660 ZA Tenere ABS MT 03 APRILIA 650 Pegaso Trail	04-07 ▲ 04-16 ▲ 10-16 ▲ 08-09 ▲ 08-16 ▲ 11-16 ▲ 06-12 ▲ 05-06 ▲	CK3310 ▲=CT038SP	SUZUKI T 20 Super Six	66-68 ▲
			CK3311 ▲=CT051	SUZUKI AP 50	-78 ▲
			CK3312 ▲=CT051	SUZUKI A 100 L/M/N	74-80 ▲
			CK3313 ▲=CT046	SUZUKI GT 250 K/L T 250 II/R/J T 350 1/2/R/J	73-74 ▲ 70-72 ▲ 69-72 ▲
			CK3314 ▲=CT046	SUZUKI T 500 1/2/3 18 ears	68-70 ▲
			CK3315 ▲=CT022	SUZUKI TS 250 K-M/A-C TS 250 ERN/ERT/ERX GT 250 M/A/B/C	73-78 ▲ 79-81 ▲ 75-78 ▲

PART NO.	MAKE/MODEL	YEAR	PART NO.	MAKE/MODEL	YEAR
CK3315 ▲=CT022 Contd.	RL 250 L/M GT 380 K-M/A/B RM 400 C GT 250 X7 EN/ET/EX	74-75 ▲ 73-77 ▲ 78 ▲ 79-81 ▲	CK3324 ▲=CT018SP	SUZUKI GT 750 J/K/L/M/A/B GS 750 B/DB/DC/EC/EN	72-77 ▲ 77-79 ▲
CK3316 ▲=CT022	SUZUKI GT 500 A/B T 500 R/J/K/L/M 12 ears	76-77 ▲ 71-75 ▲	CK3326 ▲=CT051	SUZUKI TS 100 K/L/M/A/B	73-77 ▲
CK3318 CKF3318 ▲=CT011	SUZUKI RM 80 RM 80 RM 80 RM 85 TS 100 C TS 100 ER DF 125 DR 125 S DR-Z 125 DR-Z 125 L FX 125 GN 125 Z/D/K GN 125 GN 125 E GN 125 HS GS 125 GSX-R 125 GSX-S 125 GT 125 GZ 125 RV 125 Van-Van TF 125 Farm Bike All models TS 125 ERZ TS 125 TS 125 ER TS 125 N Up to F/No 178871 DR 125 SE GSX 150 Gixxer KAWASAKI KLX 125 KLX 125 L SACHS XTC 125 X Road 125	78-81 ▲ 84-85 ▲ 89-01 ▲ 02-04 ▲ 78 ▲ 79-82 ▲ ▲ 82-94 ▲ 03-20 ▲ 03-20 ▲ ▲ 82-90 ▲ 94-01 ▲ 94-01 ▲ 00-11 ▲ 82-00 ▲ 18-20 ▲ 18-20 ▲ 74-78 ▲ 98-11 ▲ 02-15 ▲ 78-05 ▲ 82 ▲ 73-78 ▲ 79 ▲ 84 ▲ 99-01 ▲ 16-20 ▲ 03-06 ▲ 03-06 ▲ 00-07 ▲ 06-07 ▲	CK3328 ▲=CT011	SUZUKI ZR 50 GS 50 NA41A GT 50 K OR 50 ET RM 50 TS 50 ER ZR 50 LT 125 LT 185	84-87 ▲ 05 ▲ 77-80 ▲ 80 ▲ 78-82 ▲ 79-83 ▲ 79-81 ▲ 84-86 ▲ 84-85 ▲
CK3319 ▲=CT011	SUZUKI GP 100 C/UC RM 100 A RM 100 N/T/X GP 125 C/N RG 125 Gamma RG 125 NF12B Gamma RG 125 Gamma NF13A RG 125 Gamma NF13B RG 125 UN Wolf NF13E RM 125 N/T RM 125 G/H TS 125 X TS 125 R TU 125 X GT 185 TS 185 K/L/M TS 185 B/C TS 185 ER DF 200 E SH42A DR 200 G/H/J DR 200 SE SH42A Djebel DR 200 SEK1-SEK9 GT 200 X5 RV 200 SB 200 N/X SX 200 R GSF 250 N GJ74A TS 250 X	78 ▲ 76 ▲ 79-81 ▲ 78-79 ▲ 86-90 ▲ 86-90 ▲ 92-94 ▲ 92-94 ▲ 92-94 ▲ 79-80 ▲ 86-87 ▲ 84-90 ▲ 90-94 ▲ 99 ▲ 73-79 ▲ 73-75 ▲ 77-78 79-81 ▲ 98-99 ▲ 86-89 ▲ 93-00 ▲ 01-09 ▲ 79-80 ▲ 02-03 ▲ 79-80 ▲ 90-91 ▲ 92-96 ▲ 85-89 ▲	CK3329 ▲=CT011	SUZUKI RM 100 RM 125 RM 125 RM 125 F PE 175 TS 200 R GSX 250 E GS 250 T	77-78 ▲ 76-78 ▲ 81-83 ▲ 85 ▲ 78-82 ▲ 89-94 ▲ 80-82 ▲ 80-81 ▲
CK3321 ▲=CT035SP	SUZUKI GT 550 J/K/L/M/A/B	72-77 ▲	CK3330 ▲=CT018	SUZUKI GS 650 Katana GS 650 GT GS 700 EF/ESF GSX 750 E GSX 750 SE Katana GSX 750 S Katana GS75X GSX 750 S-2 Katana GS 850 all models	81-82 ▲ 81-83 ▲ 85 ▲ 80-86 ▲ 84 ▲ 84 ▲ 84 ▲ 79-85 ▲
CK3331 ▲=CT022			CK3331 ▲=CT022	SUZUKI PE 250 T/X/Z RM 250 N/T/X/Z/D/E/F	80-82 ▲ 79-85 ▲
CK3332 ▲=CT022			CK3332 ▲=CT022	SUZUKI RG 250 WD DR 400 ST/SX GN 400 TT GSX 400 FEX/FZ/FD GSX 400 FW/FWS/FWS-2 PE 400 T/X RM 400 N/T SP 400 T	83 ▲ 80-81 ▲ 80 ▲ 81-83 ▲ 80-81 ▲ 79-80 ▲ 80 ▲
CK3333 ▲=CT022			CK3333 ▲=CT022	SUZUKI RGV 250 M/N/P/R/S GSX 400 ET/EX/EZ GSX 400 TX/LX GS 450 ET/EG/EJ GS 500 APRILIA RS 250	91-95 ▲ 80-82 ▲ 81 ▲ 80-88 ▲ 89-08 ▲ 95-02 ▲
CK3334 ▲=CT022			CK3334 ▲=CT022	SUZUKI RM 250 A-C SP 370 C/N PE 250 B/C/N	76-78 ▲ 78-79 ▲ 77-79 ▲
CK3335 ▲=CT024			CK3335 ▲=CT024	SUZUKI GS 1000 GT/GX GSX 1000 SZ GS 1100 GZ GSX 1100 E GSX 1100 E VL 1500 VL 1500 Intruder	80-81 ▲ 82 ▲ 82 ▲ 80-82 ▲ 84-86 ▲ 98-03 ▲ 05-08 ▲
CK3337 ▲=CT011			CK3337 ▲=CT011	SUZUKI TS 100 E-F/No300564 DR 125 SM	80-81 ▲ 08-12 ▲

PART NO.	MAKE/MODEL	YEAR	PART NO.	MAKE/MODEL	YEAR
CK3337 ▲=CT011 Contd.	TS 125 ERN From F/No 302346 TS 125 N From F/No 178872 TS 125 ERT/ERX GT 125 EN	79 ▲ 84 ▲ 80-81 ▲ 79 ▲	CK3358 ▲=CT029	SUZUKI SW-1 NJ45A GN 250 GW 250 Inazuma GZ 250 Marauder TU 250 XV/XW TU 250 NJ47A 100001-115972 Volty TU 250 NJ47A-115- Volty TU 250 Grass Tracker Big Boy NJ47A-117/123 VL 250 Intruder	92 ▲ 87-97 ▲ 13-15 ▲ 99-08 ▲ 97-00 ▲ 92-97 ▲ 99-00 ▲ 00-01 ▲ 00-01/07 ▲
CK3338 ▲=CT011	SUZUKI GP 125 X/XD	81-84	CK3359 ▲=CT047SP ■=CT029SP	SUZUKI GSX 400 Inazuma ST 400 Tempter DR 500 X/Z/D DR 600 R SN41A DR 600 S SN41A LS 650 Savage	00 ▲ 97-03 ■ 81-83 ■ 86-89 ■ 85-89 ■ 87-97 ■
CK3339 ▲=CT011	SUZUKI GP 100 X/UX/D/UD/UL GSXR 250 RK GJ73A GSX 250 SSM Katana GJ76A	81-92 ▲ ▲ 91 ▲	CK3364 ▲=CT011	SUZUKI LT 160 E LT-F 160 LT 160 Quadsport LT 230 LT-F 230 G/H LT-F 250 Ozark	89-92 ▲ 90-03 ▲ 03-04 ▲ 85-86 ▲ 86-87 ▲ 02 ▲
CK3340 ▲=CT011	SUZUKI DS 80 JR 80 K RM 80	80-00 ▲ 01-07 ▲ 82-83 ▲	CK3366	SUZUKI JR 50 All models KDX 50 A1/A2/A3/A6F	78-07 03-06
CK3343 ▲=CT018SP	SUZUKI RL 250 Beamish RL 325 Beamish GS 400 B/C GS 425 EN	78-82 ▲ 78-82 ▲ 77-78 ▲ 79 ▲	CK3367	SUZUKI RM 80 XG/XH/XJ	86-88
CK3344 ▲=CT018SP	SUZUKI GS 550 all models GSX 550 all models	77-82 ▲ 84-87 ▲	CK3372 ▲=CT022	SUZUKI LT 250 RH/RJ/RK RM 250 G/H	86-90 ▲ 86-87 ▲
CK3345 ▲=CT035SP	SUZUKI GS 1000 HC/EC/EN/SN/ET	78-80 ▲	CK3373 ▲=CT035SP	SUZUKI RE5M/A	75-76 ▲
CK3346 ▲=CT024SP	SUZUKI GSX 1100 SD/ESD	83 ▲	CK3374 CKF3374 ▲=CT022	SUZUKI RM 250 J/K/L/M RMX 250 K/L RMX 250 M RMX 250 R/S/T/V/W RMX 250 ST/SV/SW/SX SJ14A RM 250 R/S LT 500 RL/RM	88-91 ▲ 89-90 ▲ 91 ▲ 94-98 ▲ 96-99 ▲ 94-95 ▲ 90-91 ▲
CK3347 ▲=CT018	XN 85 D 'Turbo'	83 ▲	CK3375 ▲=CT029	SUZUKI GV 1200 GLF/GLF2/GLG 'Madura'	85-86 ▲
CK3348 ▲=CT047SP ■=CT022	SUZUKI RM 465 X/Z RM 500 D/E GSF 600 Bandit GSF 600 S Faired Bandit GSX 600 F GSF 650 Bandit GSX 650 S Faired Bandit GSX R 750 F/G/H	81-82 ■ 83-84 ■ 00-04 ▲ 00-04 ▲ 88-91 ▲ 95-99 95-99 ▲ 85-87 ▲	CK3376 ▲=CT072SP	SUZUKI GSXR 750 RG Dry Clutch - Sintered Friction	86 ▲
CK3349 ▲=CT011	SUZUKI TS 50 X all models RG 50 EW	84-02 ▲ ▲	CK3377 ▲=CT022 ■=CT029 ●=CT033SP	SUZUKI VS 400 Intruder SV 400 N VK53A SV 400 SN VK53A SV 400 VS 600 G SV 650 SV 650 S Top Fairing VS 700 G VS 750 G Intruder Volusia VL 800 K1-K5 C 800 Intruder VL 800 C 800 C VL 800 Intruder VL 800 BTL4 - C800 Intruder VX 800 VS 800 G VZ 800 Marauder M 800 VZ 800 Intruder M 800 VZ 800 K9Z Intruder M 800 T VZ 800 Intruder	94- 98 ● 98 ● 00-02 ● 95-97 ■ 99-02 ▲ 99-02 ▲ 86-87 ■ 85-91 ■ 01-05 ■ 06-15 ■ 07-15 ■ 14 ■ 90-96 ■ 92-97 ■ 97-03 ■ 05-13 ■ 09-12 ■ 14-15 ■
CK3351 ▲=CT022 CK3351	SUZUKI RG 250 WE/FG/FH/CH/FCH RGV 250 J RGV 250 K/L TV 250 J/K/AL/L VJ21A Wolf	84-88 ▲ 88 ▲ 89-90 ▲ 88-90 ▲			
▲=CT011	SUZUKI RM 125 J/K/L/M LT-F 300 FX/FY/FK1 ARCTIC CAT 300 2 x 4/4 x 4 300 4 x 4	88-91 ▲ 99-01 ▲ 98-04 ▲ 05 ▲			
CK3357 CKF3357 ▲=CT029	SUZUKI GSX 600 F GR 650 D/XD GSF 650 Bandit GSF 650 Bandit - ABS GSF 650 S Faired Bandit - ABS GSF 650 S Faired Bandit GSX 750 F GSX 750 W/X/Y/K1	98-06 ▲ 83 ▲ 05-06 ▲ 05-06 ▲ 05-06 ▲ 05-06 ▲ 98-06 ▲ 98-03 ▲			

PART NO.	MAKE/MODEL	YEAR	PART NO.	MAKE/MODEL	YEAR
CK3380 ▲=CT051	SUZUKI RB 50 H	87 ▲	CK3402 ■=CT029SP	SUZUKI DR 650 R SP41A DR 650 R SP42A DR 650 R SP44A/B DR 650 R SP45A/B DR 650 RS SP45A/B	90-91 ■ 90-91 ■ 92-93 ■ 94-95 ■ 91-93 ■
CK3381 ▲=CT048SP	SUZUKI GSX 1100 FJ/FK/FL/FM/FN/FP/FR GSXR 1100 G/H/J	88-94 ▲ 86-88 ▲		CK3408 CKF3408 ▲=CT036SP	SUZUKI RF 600 RP/RR/RS/RT
CK3382	SUZUKI VS 1400 All Models	87-03	CK3417 ▲=CT014 ■=CT055SP	SUZUKI GSR 750 L GSR 750 AL GSXR 750 GSXR 750 K RF 900 R TL 1000 S GS 1200 SS GV78A GSF 1200 Bandit GSF 1200 Bandit GSF 1200 S Faired Bandit GSX 1200 Inazuma GSF 1200 Bandit GSF 1200 S Faired Bandit GSF 1200 Bandit GSF 1200 S Faired Bandit	11-14 ▲ 12-15 ▲ 97-99 ■ 04-05 ▲ 95-98 ▲ 97-98 ▲ 01 ■ 97 ■ 96-00 ■ 96-00 ■ 98-99 ■ 01-05 ■ 01-05 ■ 06 ■ 06 ■
CK3384 ▲=CT022	SUZUKI RG 250 WD	83 ▲			CK3418 ■=CT055SP
CK3385 ▲=CT011	SUZUKI GSX 400 R2/R3 GK71B/F GSX R 400 H GSX 400 X/XA/XS 'Impulse'	87 ▲ 87 ▲ ▲	CK3428 ▲=CT009	SUZUKI TL 1000 RW/RX/RV/SW/SX/SY TL 1000 SX/SY	98-00 ▲ 99-00 ▲
CK3386 ▲=CT024	SUZUKI DR 650 SE XF 650 Freewind DR 750 SJ/SK DR 800 SL DR 800 S SR43B CCM 644 DS/Supermoto R30 Suzuki 644cc engine	96-97 ▲ 97-02 ▲ 88-89 ▲ 90-95 ▲ 96-97 ▲ 04 ▲ 02-04 ▲			CK3430 ▲=CT021
CK3387 ▲=CT036SP	SUZUKI GSX 600 F GSX 750 F GSX R 750 J/K GSX R 750	92-97 ▲ 89-97 ▲ 88-89 ▲ 90-95 ▲	CK3432 ▲=CT029	SUZUKI VL 125 Y/K1-K7 'Intruder'	00-08 ▲
CK3388 ▲=CT029	SUZUKI GV 1400 'Cavalcade' All models	85-88 ▲			CK3433 CKF3433 ▲=CT006 ■=CT009
CK3390 ▲=CT011	SUZUKI LT-F 4WD LT-F 250 LT-F 250 F LT-F 250 Ozark LT 250 E LT-F 300 J/K ARCTIC CAT 250 2 x 4/4 x 4	87-98 ▲ 89-01 ▲ 99-02 ▲ 03/05-14 ▲ 85-86 ▲ 88-89 ▲ 01-05 ▲	CK3435 ▲=CT009	SUZUKI TL 1000 SK1/RK1	01-02 ▲
CK3392 ▲=CT055SP CK3393	SUZUKI GSX 1100 GM/GN GSX R 1100 K/L/M/N FR 50	91-94 ▲ 89-92 ▲ 81-			CK3437 ▲=CT022
CK3397 ▲=CT011	SUZUKI GSF 400 GSF 400 Bandit GK7AA GSX 400 F GK74A GSF 400 GK75A Bandit GSXR 400 RR GK73A GSXR 400 R GK76A	91-95 ▲ 95-97 ▲ 88-90 ▲ 89-94 ▲ 88-90 ▲ 90-95 ▲	CK3439 ▲=CT009	SUZUKI GSX 1400 K2/K3/K4/K5/K6/K7	02-07 ▲
CK3399 CKF3399 ▲=CT022	SUZUKI DR 250 DR 350 SG 350 N 'Goose' QUADZILLA WK 300	90-95 ▲ 90-99 ▲ 92 ▲ 06 ▲			CK3441
CK3400 ▲=CT022	SUZUKI RM 250 N/P RMX 250 N/P	92-93 ▲ 92-93 ▲			
CK3401 ▲=CT003	SUZUKI RM 125 N/P/R/S/T/V/W/X/Y/K1	92-01 ▲			

PART NO.	MAKE/MODEL	YEAR	PART NO.	MAKE/MODEL	YEAR
CK3443 CKF3443 ▲=CT021	SUZUKI DL 1000 DL 1000 V-Strom ABS DL 1000 V-Strom Adventure ABS SV 1000 SV 1000 S Faired model GSX 1300 R GSX 1300 R Hayabusa GSX 1300 BK B-King KAWASAKI KLV 1000	02-10 ▲		M 1500 VZ Intruder VL 1500 Intruder	09-12 ▲ 13-15 ▲
		14-20 ▲ 14-20 ▲ 03-08 ▲ 03-07 ▲ 02-07 ▲ 08-15 ▲ 08-12	CK3462 CKF3462 ▲=CT009	SUZUKI GSXR 1000	09-16 ▲
		04-05 ▲	CK3463	SUZUKI C 1800 R VLR Intruder C 1800 RT Touring Intruder	08-13 08-10
CK3445 ▲=CT009	SUZUKI GSX 1400 K1	01 ▲	CK3465 ▲=CT014	SUZUKI C 1800 R GSXR 750 K1/K2/K3	00-03 ▲
CK3447 CKF3447 ▲=CT006	SUZUKI LT-Z 400 QuadSport KAWASAKI KSF 400 A3/A6F ARCTIC CAT 400 DVX	05-15 ▲	CK3466 ▲=CT014	SUZUKI GSXR 600 K1/K2/K3/SK3	01-03 ▲
		05-06 ▲	CK3468 ▲=CT009	SUZUKI GSX-R 1000 ABS	17-20 ▲
CK3448 ▲=CT011	SUZUKI LT-F 250 K4 Ozark LT-Z 250 K4-K9/L0 QuadSport	04 ▲ 05-12 ▲	CK4409 ▲=CT019	KAWASAKI Z1/Z1A/Z1B Z 900 A4/A5 Z 1000 D1-D3 'ZIR' Z 1000 A1/A2/A3/A4 Z 1000 H1	74-76 ▲ 76-77 ▲ 78-80 ▲ 77-80 ▲ 80 ▲
CK3450 CKF3450 ▲=CT045	SUZUKI RMX 450 RM-Z 450 LT-R 450	10-15 ▲ 05-23 ▲ 06-12 ▲	CK4411 ▲=CT058	KAWASAKI KE 125 A7-A12 KH 125 A1-A4 KE 175 B1/B2/B3 KE 175 D2-D5 KT 250 A/A2	80-85 ▲ 77-81 ▲ 79-83 ▲ 79-83 ▲ 75-76 ▲
CK3451 CKF3451 ▲=CT015	SUZUKI GSXR 1000 GSX-S 1000 GSX-S 1000 ABS GSX-S 1000 Faired GSX-S 1000 Faired ABS Katana	05-08 ▲	CK4413 ▲=CT019	KAWASAKI Z 650 Z 650 Custom Z 650 Z 700 Ltd ZN 700 Ltd ZN 750 Spectre Z 750 GT 750 GPZ 750 GPZ 750 A	77-79 ▲ 77-79 ▲ 80-83 ▲ 84 ▲ 84-85 ▲ 82-83 ▲ 80-84 ▲ 82-90 ▲ 82 ▲ 83-87 ▲
		18-20 ▲ 18-20 ▲ 18-20 ▲ 18-20 ▲ 19-20 ▲			
CK3452 ▲=CT006	SUZUKI LT-F 500 FK3-FK7 ARCTIC CAT 500 4 x 4 Manual 500 Manual 4 x 4	03-07 ▲ 03-04 ▲ 05-09 ▲	CK4415 ▲=CT004	KAWASAKI H2/H2-A Mach IV 750cc	72-73 ▲
CK3453 ▲=CT016	SUZUKI RM 250 K6/K7/K8/K9 RM 250 XCK8	06-12 ▲ 09 ▲	CK4419 ▲=CT006	KAWASAKI KX 250 KX 250 A/A3/A4/A5 KEF 300 B1/B2/B3 Lakota Sport KLF 300 A1/A2/B1-B17/C1-C17 ARCTIC CAT 400 2 x 4/4 x 4	74 ▲ 75-79 ▲ 01-03 ▲ 87-05 ▲ 00-02 ▲
CK3454 ▲=CT016	SUZUKI RM 250 K3/K4/K5	03-05 ▲	CK4421	KAWASAKI Z 400 B1/B2 Z 400 G1 Z 440 A2 LTD Z 440 A2/C1-C2/H1/H2 Z 440 D4-D6 Ltd	78-79 79 80-83 82-84
CK3455 CKF3455 ▲=CT015	SUZUKI GSXR 600 K6/K7	06-07 ▲	CK4424 CKF4424 ▲=CT016	KAWASAKI Z 400 J1-J3 ZR 400 Z400 F ZX 400 C2 Z400 F11 ZL 400 Eliminator ZL 400 Eliminator SE ZL 400 FX 400 R ZX GPZ 400 R ZX GPZ 400 R ZX F1 ZR 400 Zephyr	80-83 ▲ 83-84 ▲ 85 ▲ 86-87 ▲ 88 ▲ 94-95 ▲ 86-88 ▲ 85-87 ▲ 87 ▲ 97-01 ▲
CK3456 CKF3456 ▲=CT015	SUZUKI GSX-R 600 GSX-R 750 GSX-S 750	08-23 ▲ 06-23 ▲ 15-20 ▲			
CK3457	SUZUKI M 1800 R VZR Intruder M 1800 R2 VZR Intruder M 1800 RZ VZR Intruder M1800 RB VZR Intruder	06-09 08-09 07-13 14-15			
CK3458	SUZUKI DR-Z50 DR-70	19-23 08-17			
CK3459 ▲=CT021	SUZUKI GSF 1250 Bandit GSF 1250 S Faired bandit ABS GSF 1250 Bandit ABS GSX 1250 FA GSX 1250 FA Sport Touring	07-11 ▲ 07-15 ▲ 07-08 ▲ 10-15 ▲ 10-14 ▲			

PART NO.	MAKE/MODEL	YEAR	PART NO.	MAKE/MODEL	YEAR
CK4424 CKF4424 ▲=CT016 Contd.	ZRX 400 ZR	94-01 ▲	CK4435 CKF4435 ▲=CT016	KAWASAKI	
	ZZR 400 ZX	90-92 ▲		KX 250	92-08
	ZZR 400 ZX	93-99 ▲		EJ 650 W650	99-05 ▲
	EN 450 Ltd	86-89 ▲		KLR 650	95-04 ▲
	GPZ 500 EX	87-01 ▲		KLR 650 KL	08-09 ▲
	KLE 500	91-04 ▲		VN 700 Vulcan	85 ▲
	EN 500	90-04 ▲		Z 750 Y1 Ltd	82 ▲
	ER-5 ER 500	97-07 ▲		GPZ 750 R	85-86 ▲
	GPZ 500 S EX	88-93 ▲		GPZ 900 R	84-96 ▲
	GPZ 500 S EX	94-04 ▲		ZX-7 RR ZX	96-99 ▲
	KLE 500	05-07 ▲		GPX 750	87-89 ▲
	Z 500	79-81 ▲		VN 750	86-94 ▲
	Z 550 Ltd	80-81 ▲		ZXR 750	91-03 ▲
	GT 550 G1-G9	83-01 ▲		ZXR 750 R ZX	91-94 ▲
	GPZ 550	81-87 ▲		Z 750 B1/B2	77-78 ▲
	ZR 550 ZF	83-84 ▲		Z 750 D1	76 ▲
	ZR 550 Zephyr	91-99 ▲		EJ 800 W 800	11-12 ▲
	KLR 600	84-94 ▲		EJ 800 W 800 Cafe style	11 ▲
	GPZ 600 R	85-89 ▲		EJ 800 W 800 Special Edition	12 ▲
	GPX 600 R	86-96 ▲		EJ 800 W 800	13-16 ▲
	ZL 600 B1	95-97 ▲		EJ 800 W 800 Special Edition	13-16 ▲
	ZZR 600 D1/D2/D2A/D3	90-07 ▲		VN 800	95-06 ▲
	650 Vulcan S EN	15-16 ▲		VN 900 Classic	06 ▲
	ER-6F EX	06-11 ▲		VN 900 Classic Special Edition	11-19 ▲
	ER-6F EX 650	12-18 ▲		VN 900 Custom	07-19 ▲
	ER-6N ER 650	06-11 ▲		VN 900 Classic	07-19 ▲
ER-6n	12-16 ▲	ZX-9R ZX	94-97 ▲		
KLE 650 Versys	07-14 ▲	SUZUKI			
KLE 650 Verseys KLE 650	15-16 ▲	RM 250	96-02 ▲		
KLR 650	87-89 ▲				
KL 650 Tengai	89-92 ▲	CK4436	KAWASAKI		
KLX 650	93-97 ▲	▲=CT058	KX 125 B1	82 ▲	
ZXR 750 H	89-90 ▲		KDX 175 A1-A3	80-82 ▲	
			KH 250 B4-B5	79-80 ▲	
CK4425 ▲=CT004	KAWASAKI		CK4438 CKF4438 ▲=CT070SP	KAWASAKI	
	KX 125	97-08 ▲		KX 60 A1-A2/B1-B19	83-03 ▲
	KX 125	94-96 ▲		KX 65	00-23 ▲
	Z 200 A1 From E/No 005063	78 ▲		KX 80 E1/E2	83-84 ▲
	Z 200	79-83 ▲		KLX 110	02-20 ▲
	KL 250	78-84 ▲		KH 125 K2-10	82-98 ▲
	KSF 250 KXF Mojave	87-04 ▲		KH 125 L1 KH 125 EX	83 ▲
	Z 250	80-83 ▲		MODENAS	
	KLT 250	83-85 ▲		Kriss 110/115	▲
	HI 500 Mach III	69-70 ▲		SUZUKI	
	HI-A 500 S Mach III	71 ▲		Smash 110cc	03 ▲
	HI-B/C 500 Mach III	72 ▲		DR-Z 110 K3/K4/K5	03-05 ▲
	HI-D/E/F 500	73-75 ▲		RM 60 K3	03 ▲
KH 500 A8	76 ▲	RM 65 K3/K4/K5	03-05 ▲		
CK4433 ▲=CT006	KAWASAKI		CK4439 CKF4439 ▲=CT006	KAWASAKI	
	KDX 250 B2/B3	82-83 ▲		KDX 250 B1	81 ▲
	KXT 250 A1 'Tecate'	84 ▲		KX 250	80-81 ▲
	Z 250 A1-A3/B1-B2	79-81 ▲		KLF 400	93-98 ▲
	ER 250 B1-B3 'Scorpion'	83-88 ▲		KX 420 A1/A2	80-81 ▲
	GPZ 305 A1/B2-B10	83-96 ▲		SUZUKI	
KX 500 A1/A2	83-84 ▲	LT-F 400 Eiger	02 ▲		
CK4434 ▲=CT016	KAWASAKI		CK4440	KAWASAKI	
	ZL 900 Eliminator	85-86 ▲		AE 80 A1/B1	81-83
	GPZ 1000 RX	86-88 ▲		AR 80 A1/C1-C8	81-91
	1000 GTR AG	89-03 ▲		KSR II KMX 80 B1/B2	90-91
	Z 1000 E ST Shaft	79-80 ▲		KC 100 C1-C4	81-83
	Z 1000 J	81-83 ▲		KE 100 A8-A10	79-81
	Z 1000 K LTD	81-82 ▲		KE 100 B1-B15	82-98
	Z 1000 R Lawson Replica	82-83 ▲		KH 100 A2-A4/G2-G8	78-87
	ZL 1000 A1	87 ▲		KM 100 A4-A6	79-80
	GPZ 1100 B1/B2	81-82 ▲		KH 125 K1	82
	GPZ 1100 A1-A3	82-85 ▲			
	Z 1100 A1-A3	81-83 ▲			
	Z 1100 D Spectre	82-83 ▲			
	Z 1100 R1	84 ▲			
	ZR 1100	92-97 ▲			
	ZR 1100 Zephyr RS	02 ▲			
	ZX 10 B	88-90 ▲			
ZRX 1100 ZX	97-00 ▲				
ZRX 1200	01-07 ▲				
ZRX 1200	01-08 ▲				

PART NO.	MAKE/MODEL	YEAR	PART NO.	MAKE/MODEL	YEAR
CK4442	KAWASAKI AE 50 A1-A2 AR 50 A1/C2-C10 KSR I KMX 50 B1/B2	81-84 81-97 90-91	CK4469 ▲=CT042	SUZUKI 250 S BK2 LX	02 ▲
CK4443 ▲=CT019	KAWASAKI ZX 750 E1/E2 'Turbo'	84-87 ▲	CK4473 ▲=CT016	KAWASAKI GPX 250 F2 ZX GPX 250 RII EX EL 250 EL 250 Eliminator KLE 250 Anhele GPZ 250 R EX ZZR 250 EX EL 252 EL 250	88-95 ▲ 88 ▲ 90-94 ▲ 87-89 ▲ 86 ▲ 90-03 ▲ 96-03 ▲
CK4446 ▲=CT004	KAWASAKI Z 200 A1 Up to Eng No.005062 KLR 250 D2-D22 ZXR 400 L1-L5/L8/L9 ZXR 400 H1/H2 ZXR 400 R ZX 400 M1-M4 ZX 400 J1/J2 Xanthus ZR 400 D1/D3/D4	77 ▲ 84-05 ▲ 91-03 ▲ 89 ▲ 91-94 ▲ 89-90 ▲ 92-95 ▲	CK4475 ▲=CT006	KAWASAKI KX 250 E1/F1/G1/H1H2 KXF 250 A1/A2 KDX 250 D1 KX 500 C1/D1/E1-E16	87-91 ▲ 87-88 ▲ 91-93 ▲ 87-04
CK4452	KAWASAKI Z 1300 A1-A3	79-81	CK4477	KAWASAKI KX 80 L1 KX 100 N1	88 88
CK4453 CKF4453 ▲=CT002	KAWASAKI KX 80 KX 100 AR 125 KMX 125 E/No MX 125 AE 000001-013436 SUZUKI RM 100 K3	98-00 ▲ 98-00 ▲ 83-94 ▲ 86-87 ▲ 03 ▲	CK4478	KAWASAKI KX 80 L2/L3/R1-R7 KX 100 A1/A2/B1-B7	89-97 89-97
CK4455 ▲=CT032	KAWASAKI ZG 1300 VN 1500 B VN 1500 C VN 1500 E Classic VN 1500 G VN 1500 J/R VN 1500 N Classic Fi VN 1500 P VN 1500 L Nomad Fi M 1600 VZ Intruder VN 1600 VN 1600 Mean Streak VN 1600 Classic Tourer	84-86 ▲ 88-96 ▲ 94-98 ▲ 98-99 ▲ 98-99 ▲ 99-04 ▲ 00-04 ▲ 02-04 ▲ 00-03 ▲ 04-05 ▲ 03-08 ▲ 04-08 ▲ 05-08 ▲	CK4482	KAWASAKI KX 125 F1/G1 KDX 200 E1/E2/E3/E4/E5/E6	88-89 89-94
CK4457 ▲=CT058	KAWASAKI KX 125 B2/C1 KDX 200 A1-A3 S3/S3A 400cc S2/S2-A 350cc KH 400 A3-A5	83-84 ▲ 83-85 ▲ 74-75 ▲ 72-73 ▲ 76-78 ▲	CK4484 ▲=CT016	KAWASAKI KR1 250 cc KR 250 B2/C2/C3	89-92 ▲
CK4458	KAWASAKI Z 1300 A4/A5	82-83	CK4485	KAWASAKI KX 125 H1/H2/J1	90-92
CK4459 ▲=CT006	KAWASAKI KX 250 D1/D2 KXT 250 B1/B2 Tecate - 3 wheel model KX 500 B1/B2	85-86 ▲ 86-87 ▲ 85-86 ▲	CK4486 ▲=CT002	KAWASAKI KMX 125 E/No MX 125AE 013437 KMX 125 KMX 200 KTM Duke 200 RC 200	87-03 88-89 ▲ 88-92 ▲ 12-19 ▲ 14-19 ▲
CK4465 ▲=CT006	KAWASAKI KX 250 B1/C1/C2 KXT 250 A2 Tecate - 3 wheel model	82-84 ▲ 85 ▲	CK4488 ▲=CT021	KAWASAKI ZZR 1100 ZX 1100 ZZR 1200	90-01 ▲ 95-98 ▲ 02-04 ▲
CK4468	KAWASAKI KX 80 E3/G1/G2/J1/J2	85-87	CK4489	KAWASAKI KDX 125 A1/A2/B1/B2	90-94
CK4469 ▲=CT042	KAWASAKI KX 125 KDX 200 KL 250 H1 KL 250 Stockman KLX 250 KLX 250 G1 KLX 250 D-Tracker KLX 250 KLX 250 S KLX 300 A	85-87 ▲ 86-88 ▲ 98 ▲ ▲ 93-97 ▲ 94 ▲ 98-03 ▲ 06-07 ▲ 09-16 ▲ 97-07 ▲	CK4493 ▲=CT019	KAWASAKI GT 750 P7/P9 ZR 750 C1/C2/C3/C4/C5/D1 'Zephyr' ZR-7 ZR 750 F1/F3/F5 ZR-7S ZR 750 H1/H3	92-96 ▲ 91-98 ▲ 99-04 ▲ 01-04 ▲
			CK4498	KAWASAKI KX 125 J2	93
			CK4503 ▲=CT004 ■=CT037SP	KAWASAKI ZX-6R ZX6RR ZX ZX6R 636cc ZX Z 750 S ZR Z 750 Z 750 R ZR Z 750 R ABS ZR ZR 750 Z 800 Z 800 E Z 1000 ZR 3 Spring Clutch Z 1000 SX ABS ZX 3 Spring Clutch KLZ 1000 Versys SUZUKI RG 400 EWF/EW-2G/EWH Walter Wolf Type 1&2 RG 500 G/CH	95-01 ▲ 03 ▲ 02-04 ▲ 05-06 ▲ 04-07 ▲ 11-12 ▲ 11-12 ▲ 07-10 ▲ 13-16 ▲ 13-16 ▲ 16 ▲ 16 ▲ 15-19 ▲ 85-87 ■ 85-87 ■

PART NO.	MAKE/MODEL	YEAR	PART NO.	MAKE/MODEL	YEAR
CK4505	KAWASAKI KDX 200 KDX 220 R KDX 220 SR	95-99 97-06 97-99	CK4515 ▲=CT009	KAWASAKI ZX12R ZX	01-06 ▲
CK4508	KAWASAKI BJ 250 B1-B7A ,‘Estrella’ BJ 250 C1-C7/D1-D7/F1/F2 BJ 250 E1-E4A Estrella-RS Custom ZR 250 A1-A5 ZR 250 B6 Ballius II ZXR 250 C1-C5/D1 ZXR 250 ZX 250 A1/A2 ZXR 250 R ZX 250 B1/B2 SUZUKI GSX 250 FXK2	92-99 95-03 96-99 91-95 02 91-95 89-90 89-90 02	CK4516 ▲=CT032	KAWASAKI VN 1700 Classic Tourer ABS VN 1700 Voyager ABS VN 1700 Classic Tourer VN 1700 Vulcan Nomad VN 1700 Classic ABS VN 1700 Classic VN 1700 Voyager Custom VN 2000 VN 2000 Classic	10-14 ▲ 09-16 ▲ 09 ▲ 15-16 ▲ 10-17 ▲ 09 ▲ 11-17 ▲ 04-07 ▲ 08-09 ▲
CK4509	KAWASAKI KDX 250 SR KDX 250 F1	91	CK4517 ▲=CT016	KAWASAKI KR 250 A1/A2	84-86 ▲
CK4510 CKF4510 ▲=CT004 ■=CT079SP	KAWASAKI Z 900 ZR Z 900 RS ZR Z 900 RS Café ZR E ZX9R ZX 900 KLZ 1000 Versys Z 1000 ZR Z 1000 ZR Z 1000 5 Spring Clutch Z 1000 SX ZX 1000 Z 1000 ZR Z 1000 Performance Z 1000 SX Tourer ZX 1000 SX ZX ZX 1000 SX Tourer ZX 1000 Special Edition ZR ZR 1000 ZX 10R ZX 1000 ZX 10R ZX 1000 ZX 10R ABS ZX ZX 10R ZX ZX 10R 30th Aniversary Edition ZX ZX 10R ZX1000 SGF ZX 10R Winter Test Edition ZX ZX 10R Ninja KRT Replica ZX ZX-10RR ZX-10RR Performance SUZUKI GSXR 1000 GSX-S 1000 ABS GSX-S 1000 F ABS YAMAHA YZF- R1 YZF- R1 M YZF- R1 60th Anniversary Edition MT-10 998cc	17-19 ▲ 18-19 ▲ 18-19 ▲ 98-04 ▲ 12-14 ▲ 03-06 ▲ 07-09 ▲ 10-15 ▲ 11-13 ▲ 10-15 ▲ 16-19 ▲ 11-19 ▲ 14-15 ▲ 14 ▲ 14 ▲ 10-13 ▲ 05-07 ▲ 08-10 ▲ 11-15 ▲ 11-15 ▲ 15 ▲ 16-19 ▲ 16 ▲ 16-19 ▲ 17-19 ▲ 17-19 ▲ 01-04 ▲ 15-17 ▲ 15-17 ▲ 15-23 ■ 15-23 ■ 16 ■ 16 ■	CK4518 ▲=CT021 ■=CT004	KAWASAKI ZX 1400 ZZR 1400 ABS ZX ZX 1400 Special Edition ZX ZZR 1400 Performance Sport ZX ZZR 1400 ABS Performance	06-07 ▲ 08-11 ▲ 12-16 ▲ 14-19 ■ 12-19 ■
			CK4519 ▲=CT006	KAWASAKI KXF 450 R KSF	07-14 ▲
			CK4520 ▲=CT021	KAWASAKI GTR 1400 ZG	08-16 ▲
			CK4521 ▲=CT009	KAWASAKI EX 250 Ninja R	08-12 ▲
			CK4522 ▲=CT012SP	KAWASAKI KLX 125 KLX 125 D-Tracker KLX 150 L KLX 150 D-Tracker KTM Duke 125 RC 125	10-16 ▲ 10-14 ▲ 14-15 ▲ 16 ▲ 11-19 ▲ 14-19 ▲
			CK4523 ▲=CT004	KAWASAKI H2-B/H-C Mach IV 750cc	74-75 ▲
			CK4524 ▲=CT009	KAWASAKI EX 300 Ninja 300 EX300 Ninja 300 Special Edition Versys-X 300 ABS Z 300 Non ABS ER Z 300 ABS ER	13-16 ▲ 13-16 ▲ 17-20 ▲ 15 ▲ 15-16 ▲
			CK4527	KAWASAKI Ninja 650 EX 650 Z 650 ER 650	12-23 12-23
CK4511	KAWASAKI BN 125 A1-A5/A6F/A7F Eliminator	98-07	CK4528	KAWASAKI Ninja H2	15-20
CK4513 ▲=CT009	KAWASAKI ZX12R ZX 1200 A1	00 ▲	CK4529	KAWASAKI Ninja H2R	15-20
CK4514 CKF4514 ▲=CT003 ■=CT004	SUZUKI RM 125 RM 125 RM-Z 250 KAWASAKI KX 250 F KX KX 250 F ZX-6R 599cc ZX-6R ZX 636 ZX-6R 636cc ZX-6R ZX KRT EDITION - 636cc ZX6 R 30th Anniversary Edition ZX -636cc ZX-6RR ZX 600 M1 ZX-6RR ZX 600 N1/N6F	02-12 ▲ 09 ▲ 04-23 ■ 04-08 ■ 09-23 ■ 07-16 ■ 05-06 ■ 13-21 ■ 16-17 ■ 15 ■ 04 ■ 05-06 ■	CK4530	KAWASAKI Ninja 400 Z 400	17-21 17-21
			CK4531	KAWASAKI KX450 F	20-23
			CK5588 CKF5588 ▲=CT021	TRIUMPH Adventurer Trophy 3 cyl 900 Trophy 4 cyl 1200 Trident 750/900 Legend TT Thunderbird/Sport Speed Triple	96-01 ▲ 92-01 ▲ 92-01 ▲ 92-98 ▲ 98-01 ▲ 95-04 ▲ 94-99 ▲

PART NO.	MAKE/MODEL	YEAR	PART NO.	MAKE/MODEL	YEAR
	Sprint Daytona 900/Cyl Daytona 1200 4 cyl Daytona 750 3 cyl Daytona 1000 4 cyl Tiger 900cc Up to VIN 71698 Carb Models Daytona Super 3	94-98 ▲ 93-96 ▲ 93-98 ▲ 92 ▲ 92 ▲ 93-96 ▲ 94-97 ▲	CK5599 CKF5599 ▲=CT009	TRIUMPH Speed Triple from VIN 141872 to 210444 Speed Triple 1050 Daytona from VIN 132513 RS Sprint from VIN 139277 ST Sprint from VIN 138277 Sprint ST From VIN 208167 Sprint GT 1050 Tiger 1050cc Tiger 1050cc SE	05-08 ▲ 01-06 ▲ 02-04 ▲ 02-04 ▲ 05-09 ▲ 10-12 07-12 ▲ 10-12 ▲
CK5589 CKF5589 ▲=CT009	TRIUMPH T595/955i Daytona T509 'Speed Triple' 885/955cc Sprint ST Upto VIN 139235 Sprint RS Upto VIN 138656 Tiger 955cc Tiger 900cc From VIN 71699 Injection Models	97-00 ▲ 97-01 ▲ 98-01 ▲ 98-01 ▲ 99-06 ▲ 97-98 ▲	CK5602 ▲=CT059 ■=CT023	KTM 250 EXC-G Racing 250 EXC Racing 400 EXC 400 MXC SX 400 450 EXC Racing 450 EXC-G Racing 450 MXC-G Racing 520 EXC SX 520 525 EXC Racing 525 EXC-G Racing 525 MXC Desert Racing 525 MXC-G Racing 525 SX Racing 526 SX Racing	04 ▲ 04 ▲ 00-02 ▲ 01 ▲ 00-01 ▲ 04 ▲ 04 ▲ 04 ▲ 00-01 ▲ 00-01 ▲ 04 ▲ 04 ▲ 04 ▲ 04 ▲ 04 ▲ 04 ▲ 05 ■
CK5594 CKF5594 ▲=CT027 ■=CT057SP	KTM SX 60 SX 65 SX 65 HUSQVARNA TC 65	98-00 ▲ 98-08 ▲ 09-23 ■ 17-23 ■			
CK5595 CKF5595 ▲=CT007 ■=CT049	KTM 250 EGS 250 EXC 2T EXC 250 2T Six Days 250 MXC SX 250 2T XC 250 USD XC 250 2T 250 SXS Reklus Aftermarket Clutch Kit SX 250/300 2T 24T Steel Plate Reklus Aftermarket Clutch Kit EXC 250/300 2T 24T Steel Plate EXC 300 2T 300 E-GS 300 EXC EXC 300 2T Six Days 300 MXC 300 Six Days SX 300 XC 300 USD 360 EGS 360 MXC 360 SXC 360 SX 360 Six Days 380 EXC SX 380 RXC-E 400 EXC-E 620	94-99 ▲ 94-12 ▲ 11-12 ▲ 98-99 ▲ 94-12 ▲ 11 ▲ 11-12 ▲ 01-03 ▲ 03-11 ■ 03-11 ■ 00-12 ▲ 94-99 ▲ 94-07 ▲ 11-12 ▲ 94-05 ▲ 96 ▲ 94 ▲ 11-12 ▲ 96-97 ▲ 96-01 ▲ 96-97 ▲ 96-97 ▲ 96 ▲ 98-02 ▲ 98-02 ▲ 95 ▲ 95 ▲	CK5604 ▲=CT026	APRILIA RS 50 RX 50 SX 50 DERBI GPR 50 Nude GPR 50 R GPR 50 Racing GPR 50 Replica Senda Most models 4 plate clutch	06-11 ▲ 06-10 ▲ 06-10 04-05 ▲ 97-00 ▲ 04-05 ▲ 99-05 ▲ 99-05 ▲
CK5596 ▲=CT075	KTM 350 MX 2T 350 Enduro 2T 500 MX 2T 500 MX 4T LC 500 Enduro 2T 500 Enduro 4T LC 600 MX 4T LC 600 Enduro 4T LC	89 ▲ 89 ▲ 89 ▲ 89 ▲ 89 ▲ 89 ▲ 89 ▲ 89 ▲	CK5605	BMW F 650/93/97 K60/0161/0162 F 650 E169/0161 Standard F 650 E169/0162 Funduro F 650 ST K60/0163 F 650 ST E169/0163/168 Strada	93-03 09/93-96 97-00 96-00 97-00
CK5597 ■=CT009SP	TRIUMPH Bonneville 790cc Speedmaster 800 790cc Bonneville T100	01-05 ■ 03-04 ■ 02-04 ■	CK5608	TRIUMPH America Cast wheel Scrambler 865cc Speedmaster 865cc Bonneville T100 865cc Bonneville 800 Bonneville America Bonneville/Bonneville Black Bonneville - Steve McQueen SE Speedmaster 865cc Thruyton 900	07-09 06-09 03-09 01-09 01-04 02-06 07-08 12 03-08 04-12
CK5598 ▲=CT034SP	APRILIA AF1 125 Classic 125 MX 125 Pegaso 125 Red Rose 125 RS 125 2T RX 125	87-91 ▲ 95-01 ▲ 04-06 ▲ 91-95 ▲ 87-94 ▲ 92-14 ▲ 92-98 ▲	CK5610 ▲=CT028	KTM SX 85 SW17"/14" SX 85 BW 19"/16" HUSQVARNA TC85 SW 17"/14" TC85 BW 19"/16"	11-17 ▲ 03-17 ▲ 14-18 14-18
			CK5611 CKF5611 ▲=CT001	KTM 125 EGS 125 EXC EXC 125 EXC 125 2T Six Days 125 EXE SX 125 125 Supermoto 125 SXS SX 150 XC 150 USD 200 EGS 200 EXC	98-99 ▲ 98-05 ▲ 07-15 ▲ 11-15 ▲ 00-01 ▲ 98-18 ▲ 00-01 ▲ 01-02 ▲ 08-18 ▲ 11-12 ▲ 98-99 ▲ 97-14 ▲

PART NO.	MAKE/MODEL	YEAR	PART NO.	MAKE/MODEL	YEAR
CK5611 CKF5611 ▲=CT001 Contd.	200 MXC	98-03 ▲		620 EGS	94-95 ▲
	SX 200	03/06-07 ▲		620 EGS-E	97 ▲
	SX 125	15-18 ▲		620 EGS/Adventure	96-97 ▲
	XC-W 150	17-18 ▲		620 Enduro Ltd	97 ▲
	SX 125	15-18 ▲		620 EXC	94-95 ▲
	HUSQVARNA			620 LC-4	98 ▲
	TC125	14-18		620 LC4 Competition	99 ▲
TE125	14-16	620 LSE		97 ▲	
TX 125	17-18	620 RXC-E		96-97 ▲	
CK5612 CKF5612 ▲=CT023	KTM			620 SC	00-01 ▲
	250 EXC Racing	02-03/05 ▲		620 Six Days	96 ▲
	250 EXC-G Racing	03 ▲		620 Super Comp	94-95 ▲
	Freeride 250 R 2T	14-17		620 Super Moto	98 ▲
	400 EXC Racing	02/05-06 ▲		SX 620	94 ▲
	400 EXC-G Racing	02/05-06 ▲		SXC 620	97 ▲
	400 EXC	06-09 ▲		625 SC	02 ▲
	400 SX Racing	02 ▲	640 LC Rallye Dakar	97 ▲	
	400 MXC	02 ▲	660 LC4	97 ▲	
	450 EXC Racing	03/05-07 ▲	660 SMS	04 ▲	
	450 EXC-G Racing	03 ▲	CK5632		
	450 LXC-G Racing	05 ▲	▲=CT075	EXC 400 LC4 Engine	93-95 ▲
	450 MXC-G Racing	03 / 05 ▲		400 RXC-E	95 ▲
	MXC 450	06 ▲		SC 400 LC4 Engine	95 ▲
	450 SMS	04 ▲		620 RXC-E	95 ▲
	SMR 450	04-07 ▲		KTM	
	SX 450 4T	03-06 ▲	CK5633	660 Rallye	01-03 ▲
	SX 450	06 ▲	▲=CT030	660 Rallye Factory	04 ▲
	XC 450 Quad	08-09 ▲		KTM	
	520 SX Racing	02 ▲	CK5634	950 Adventure S	03-04 ▲
	525 MXC Desert Racing	03 ▲	▲=CT015	950 Adventure	06 ▲
	525 EXC-G Racing	03 / 05 ▲		950 Superenduro R	07-08 ▲
	525 EXC	03 ▲		990 Adventure/S	06-08 ▲
	525 EXC Racing	05 ▲		990 Adventure Dakar Edition ABS	11 ▲
	525 MXC Desert Racing	05 ▲		990 Adventure R	09-12 ▲
	525 SMR	04-05 ▲		990 Adventure ABS Model	09-12 ▲
	525 SX Racing	03 ▲		990 Supermoto T SM-T	08-13 ▲
	MXC 525	06 ▲		990 Supermoto R SM-R	08-13 ▲
	SX 525	06 ▲		990 Superduke	05-11 ▲
	XC 525 Quad	08-12 ▲		990 Superduke R	07-13 ▲
	540 SXS Racing	02 ▲		BMW	
	SMR 560	06-07 ▲	CK5635	F 650 CS Scarver K17/0177/0187	04-07
	SX-F 250 4T	16-18 ▲	▲=CT083	F 650 GS R13/0175/0185	04-07
	SX-F 250 Factory 4T	16-18 ▲		F 650 GS Dakar R13/0176/0186	04-07
	XC-F 250 4T	16-18 ▲		G 650 GS R13	08-16 ▲
	XC-F 350	16-21 ▲		G 650 GS Sertao R13	10-14 ▲
			G 650 XCountry K15	08-10 ▲	
CK5624 ▲=CT021	TRIUMPH		CK5636	BMW	
	Rocket 111 2300cc	04-09 ▲		F 650 CS Scarver K14/0174/0184	00-03
	Rocket 111 Touring 2300cc	08-12 ▲		F 650 GS R13/0172/0182	99-03
	Rocket 111 Classic	07-09 ▲		F 650 GS Dakar R13/0173/0183	99-03
CK5628 ▲=CT040SP	CCM		CK5638	KTM	
	604 Trial/SM/RS/R30 Rotax engine	98-03	▲=CT009	SX-F 450	07-10 ▲
CK5631 CKF5631 ▲=CT030	KTM			450 SX Quad	09-11 ▲
	350 EXC	94 ▲		SX-F 505	07-09 ▲
	350 Super Comp	94-95 ▲		505 SX-F Quad	09-12 ▲
	380 EGS	98-99 ▲		CK5639	
	400 Duke	94-95 ▲	▲=CT030	KTM	
	400 EGS-E	97 ▲		620 LC4 Super Moto	99 ▲
	400 EGS	94/96-97 ▲		620 TXC	98 ▲
	400 EXC-E	96-97 ▲		625 SMC	04-06 ▲
	400 EXC	94/96 ▲		625 SXC	03-04 ▲
	400 LC-4	98 ▲		640 Adventure-R	98-02 ▲
	400 LC4-E	00-01 ▲		640 Duke-E	98 ▲
	LC4 R 400	99 ▲		640 Duke II	99-04 ▲
	400 LSE	97 ▲		Duke-E 610	98 ▲
	400 LS-E	4 ▲		Duke II 640	99-07 ▲
	400 Super Comp	95 ▲		640 LC4	99-00 ▲
	400 Super Comp/EXC	96-99 ▲		640 LC4 Adventure	03-06 ▲
	SXC 400	97 ▲		640 LC4 Supermoto	03-04 ▲
	400 SX	99 ▲		640 LC4-E	00-02 ▲
	400 SX-C	98 ▲		640 LC4 Six Days	99 ▲
	400 SXC	00 ▲		660 LC4 Rallye	99-00 ▲
	400 TXC	98 ▲		660 SM Factory Replica	02-03 ▲
	540 SX-C	98-99 ▲		660 SMC	03-04 ▲
	620 Duke	94/97 ▲			

PART NO.	MAKE/MODEL	YEAR	PART NO.	MAKE/MODEL	YEAR
CK5641 ▲=CT030	KTM 690 Rally Factory Replica	07-09 ▲		SX-F 350 SX-F 350 XC-F 350 XCF-W 350 4T XCF-W 350 Six Days 4T EXC 450 4T/Diaphragm Spring EXC 450 Six Days 4T/Diaphragm Spring EXC 450 Six Days 4T/Diaphragm Spring EXC-F 450 4T/Diaphragm Spring SX-F 450 4T/Diaphragm Spring SX-F 450 4T/Diaphragm Spring EXC 500 4T/Diaphragm Spring EXC 500 4T/Diaphragm Spring EXC 500 Six Days 4T/Diaphragm Spring EXC 500 Six Days 4T/Diaphragm Spring EXC-F 500 XC-W 500	11-15 ▲ 16-18 ▲ 12 ▲ 16 ▲ 16 ▲ 12 ▲ 12 ▲ 13-15 ▲ 12-16 ▲ 12-13 ▲ 13-17 ▲ 12 ▲ 13-16 ▲ 12 ▲ 13-16 ▲ 12 ▲ 17 ▲ 16 ▲
CK5642 ▲=CT069	KTM 690 Duke 690 Duke R 690 Enduro 690 R Enduro 690 SMR 690 SM 690 SMC 690 SMC-R 690 SM-LE Limited Edition HUSQVARNA Svartpilen 401 Vitpilen 401 701 Enduro R 701 Supermoto Svartpilen 701 Vitpilen 701	08-18 ▲ 10-18 ▲ 08-18 ▲ 09-23 ▲ 07-11 ▲ 07-09 ▲ 08-11 ▲ 12-18 ▲ 10-11 ▲ 18-23 ▲ 18-23 ▲ 16-23 ▲ 16-23 ▲ 18-20 ▲ 18-20 ▲	CK5656	HUSQVARNA TC 450 TE 450 SMR 570 TC 570 TE 570 TE 610	02-07 02-07 03-04 03-04 03-04 05-12
CK5643 ▲=CT009	GAS-GAS EC 200/250/300 2T EC 450 FSR/FSE 4T Enduro SM 450 FSR 4T Supermotard Wild HP 450 Quad EC 515 FSR/FSE 4T Enduro SM 515 FSR 4T Supermotard	00-08 ▲ 05-08 ▲ 07-08 ▲ 04-08 ▲ 05-08 ▲ 07-08 ▲	CK5657	HUSQVARNA TC 250 TE 250 2T TE 310	03-08 03-09 08-10
CK5644 ▲=CT021	KTM RC8 1190cc RC8 R Track 1190cc	08-10 ▲ 10-14 ▲	CK5660 ▲=CT085	BMW F650 GS Late type plates 2 x 13mm/7 x 14mm ears F700 GS Late type plates 2 x 13mm/7 x 14mm ears F800 GS Late type plates 2 x 13mm/7 x 14mm ears F800 GS Adventure Late type plates 2 x 13mm /7 x 14mm ears F800 GT Late type plates 2 x 13mm /7 x 14mm ears F800 S Late type plates 2 x 13mm /7 x 14mm ears F800 ST Late type plates 2 x 13mm /7 x 14mm ears F800 R Late type plates 2 x 13mm /7 x 14mm ears	07-17 ▲ 11-17 ▲ 12-19 ▲ 12-19 ▲ 07-19 ▲ 07-19 ▲ 07-19 ▲ 07-19 ▲ 05-19 ▲
CK5648 CKF5648 ▲=CT041	KTM EXC 400 4T EXC-R 450 4T EXC 450 4T EXC 450 4T Six Days EXC 530 EXC 530 4T Six Days EXC-R 530	09-11 ▲ 08 ▲ 09-11 ▲ 11 ▲ 09-11 ▲ 11 ▲ 08 ▲	CK5661	DUCATI 899 Panigale	13-15
CK5651 CKF5651 ▲=CT023	HUSQVARNA FC 250 TC 250 TE 250 2T TE 250i 2T HUSQVARNA TE 300 2T TE 300i 2T TX 300i FC 350 FE 350 FX 350 FC 450 FC 450 FE 450 FS 450 FX 450 FE 501 FE 501 FE 501S KTM SX 250 2T/Diaphragm Spring SX-F 250 4T/Coil Spring EXC 250 2T EXC 250 Tpi 2T EXC 250 Six Days 2T/Diaphragm Spring EXC-F 250 4T EXC-F 250 Six Days 4T XC 250 2T/Diaphragm Spring XC-F 250 4T/Coil Spring EXC 300 Six Days 2T/Diaphragm Spring EXC 300 Six Days 2T 350 Freeride 4T EXC-F 350 Coil Spring EXC-F 350 4T/Diaphragm Spring EXC-F 350 Six Days 4T/Diaphragm Spring	14-17 ▲ 14-21 ▲ 14-17 ▲ 18-21 ▲ 14-17 ▲ 18-21 ▲ 18-21 ▲ 14-17 ▲ 14-17 ▲ 17-18 ▲ 14-17 ▲ 18-19 ▲ 14-17 ▲ 15-18 ▲ 17 14-16 17-21 ▲ 16 ▲ 13-21 ▲ 13-15 ▲ 13-17 ▲ 18-21 ▲ 13-15 ▲ 14-19 ▲ 14-19 ▲ 13 ▲ 13-17 ▲ 13-15 ▲ 16-18 ▲ 12-15 ▲ 11 ▲ 12-17 ▲ 12-17 ▲	CK5664	TRIUMPH Daytona 675 Daytona 675 R Street Triple S 765	13- 13- 17-23
			CK5665	KTM Duke 390 RC 390 EXC-F 450 4T/Diaphragm Spring	13-14 14-15 13-18
			CK5666	KTM Duke 250 RC250 Duke 390 RC 390 Svartpilen 401 Vitpilen 401	15-18 15-18 15-17 16-17 18-23 18-23
			CK5667 ▲=CT085	BMW F800 GT Early type plates 14mm ears F800 GS Early type plates 14mm ears F800 S Early type plates 14mm ears F800 ST Early type plates 14mm ears	04-06 ▲ 08-11 ▲ 04-06 ▲ 04-06 ▲
			CK5668 CKF5668 ▲=CT087SP	HUSQVARNA TC85	18 ▲

PART NO.	MAKE/MODEL	YEAR	PART NO.	MAKE/MODEL	YEAR			
CK5669 ▲=CT086SP	KTM 790 Duke	17-23	CK5683	KTM 1050 Adventure	15-16			
	790 Adventure	17-23		1090 Adventure	17-18			
	890 Duke	23		1090 Adventure L	19			
	890 Adventure	23		1090 Adventure R	17-19			
	TRIUMPH Bonneville T100 900cc LC	16-23 ▲		1090 Adventure S	19			
	Bonneville T100 Black 900cc LC	16-23 ▲		RC8R/Track 1190cc/3 Spring Clutch	13-14			
	Street Cup 900cc LC	16-20 ▲		1190 Adventure	13-16			
	Street Scrambler 900cc LC	16-20 ▲		1190 Adventure R	13-16			
	Street Twin 900cc LC	16-18 ▲		1290 Super Adventure R	17-21			
	Bonneville T120 1200cc LC	16-18 ▲		1290 Super Adventure S	17-23			
	Bonneville T120 Black 1200cc LC	16-18 ▲		1290 Super Adventure T	17			
	Bonneville Bobber 1200cc LC	17-23 ▲		1290 Super Duke GT	17-19			
	Bonneville Bobber Black 1200cc LC	18-23 ▲		1290 Super Duke R	16-19			
	Thruxton 1200 LC	16-23 ▲						
Thruxton R 1200 LC	16-23 ▲							
CK5670	DUCATI 959 Panigale	17-18	CK5685	BMW F 750 GS F 850 GS F 850 GS Adventure	16-21 16-21 16-21			
CK5672	BETA Enduro RR 250 2T Enduro RR 300 2T Enduro RR 350 4T Enduro RR 390 4T Enduro RR 430 4T Enduro RR 480 4T	18-20 18-20 18-20 18-20 18-20 18-20	CK6601	BMW R 45 R 45/N R 45 T R 45 T/N R 65 R 65 LS R 65 T R 65 GS R 65 RT R 80 GS R 80 ST R 80 R 80 RT R 80 TIC R 100/7 T R 100 CS R 100 RS R 80 R 80 RT R 80 GS R 80 PD/CH R 80 MYS R 80 R R 80 GS R 100 MYS R 100 R	09/80-85 09/80-85 09/80-85 09/80-85 09/80-85 81-85 80-85 87-92 85-88 80-87 82-84 09/80-84 82-84 09/80-85 09/80-84 80-84 09/80-84 84-95 84-95 87-90 90 94-95 91-94 96 93-96 91-95			
CK5673	KTM TBC							
CK5674	HUSQVARNA TC 50 KTM SX 50	17-19 13-19						
CK5675	DUCATI Monster 620 IE	01-06						
CK5676	BMW R 1200 GS	13-18						
	R 1200 GS Adventure	13-18						
	R 1200 R	13-18						
	R 1200 RS	14-18						
	R 1250 GS	19-20						
	R 1250 GS TE	19-20						
	R 1250 GS Rallye	19-20						
	R 1250 GS Rallye TE	19-20						
	R 1250 GS Adventure	19-20						
	R 1250 GS Adventure TE	19-20						
	R 1250 GS Adventure Rallye	19-20						
	R 1250 GS Adventure Rallye TE	19-20						
CK5679	PIAGGIO VESPA V 50	63-90	CK6602	BMW R 45 R 45 R 45 N R 65	-09/80 78-09/80 -09/80 78-09/80			
	SS 50	65-73						
	PK 50	82-93						
	PK 50 HP	82-93						
	PK 50 S	82-93						
	PK 50 SS	82-93						
	PK 50 XL	82-93						
	PK 80	82-86						
	PK 80 S	82-86						
	SS 90	65-71						
	V 90	63-86						
	P 125 ETS	84-85						
	PL 125 S	82-90						
	PK 125 XL	86-93						
	PX 125	77-82						
	Primavera ET3 125	76-83						
	CK5681	TRIUMPH Tiger 800 XR from VIN674842		>18	CK6603 Dry Clutch Plate	BMW R 50/5 R 60/5 R 60/6 R 75/5 R 75/6 R 90/6 R 90 S R 60/7 R 60 TIC R 75/7 R 80 R 80 TIC R 100 R 100/7T R 100 RS R 100 RT R 100 S	69-73 69-73 73-76 69-73 73-76 73-79 73-76 76-09/80 78-09/80 76-79 77-09/80 78-09/80 76-77 77-09/80 76-09/80 78-09/80 76-80	
	CK5682	BMW K 1300 GT		08-11		CK6604 Dry Clutch Plate	BMW K 75 K 75/2 K 75 C K 75 RT K 75 S	84-96 84-96 85-88 89-96 85-95
		K 1300 R		08-12				
K 1300 S		08-16						

PART NO.	MAKE/MODEL	YEAR	PART NO.	MAKE/MODEL	YEAR
CK6605 CK6605 Dry Clutch Plate	BMW			VRSCD 1HDH Night Rod	08 ▲
	K 100	82-88		VRSCDA 1HLH Night Rod W/ABS	08 ▲
	K 100/2	87-90		VRSCDXA 1HMH Night Rod	
	K 100 LT	86-91		Special W/ABS	08 ▲
	K 100 RS	83-89		VRSCDX 1HHH Night Rod Special	08-17 ▲
	K 100 RT Valve models	83-89		VRSCAW 1HFH V-Rod	09-10 ▲
	K1	88-93		VRSCF 1HPH V-Rod Muscle	09-17 ▲
	K 100 RS	89-92		VRSCDX ANV 1HHH_ANV	
	K 1100 LT	89-99		Night Rod Special Anv	12 ▲
	K 1100 RS	92-96			
CK6680	APRILIA		CK7006 ▲=CT707SP	HARLEY DAVIDSON®	
	RSV 1000 Mille/R Mille	00-02		VRSCA 1HAZ V-Rod	02-07 ▲
	RSV 1000 SP	99-00		VRSCSE CVO V-Rod	05-06 ▲
	RSV 1000 R Factory	04-08		VRXSE 7RC7 CVO VR Destroyer	06 ▲
	RSV 1000 R	04-08		VRSCR 1HCZ Street Rod	06-07 ▲
	RSV 1000 R Tuono	02-06		VRSCX 1HJG Screamin' Eagle V-Rod	07 ▲
	SL 1000 Falco	00-04			
CK6681 ▲=CT041	APRILIA		CK7007 ▲=CT708SP	HARLEY DAVIDSON®	
	RSV4R	10 ▲		FLHTCUTG Tri Glide Ultra	17-20 ▲
	RSV4R Factory SBK Racing	09-10 ▲		FLRT Freewheeler	17-18 ▲
	RSV4 Factory APRC	11-13 ▲		FLHTCUTG Tri Glide Ultra Anniversary	18 ▲
	RSV4R APRC	11-13 ▲		FLHP Road King Police	17 ▲
				FLHTP Electra Glide Standard Police	17 ▲
CK7001	INDIAN		CK7008 ▲=CT703SP	HARLEY DAVIDSON®	
	Octane	17		FLHR Road King	15-16 ▲
	Scout	15-20		FLHR Road King	98-03 ▲
	Scout 1200	17-20		FLHRC Road King Classic	14-16 ▲
	Scout Bobber	18		FLHRCI Road King Classic	98-99 ▲
	Scout Sixty	16-20		FLHT Electra Glide Standard	98-03 ▲
CK7002 ▲=CT702SP	HARLEY DAVIDSON®			FLHTC Electra Glide Classic	98-03 ▲
	FLHTCUTG Tri Glide Ultra Classic	14-16 ▲		FLHTCU Ultra Classic	14-16 ▲
	FLRT Freewheeler	15-16 ▲		FLHTCU TC Ultra Classic Twin-Cooled	14-16 ▲
	FLHTK 103 CVO Limited	14 ▲		FLHTCUI Ultra Classic	98-03 ▲
	FLHTCUL Ultra Classic Low	15-16 ▲		FLHTK Ultra Limited	14-16 ▲
	FLHTCUL TC Ultra Classic Low Twin-Cooled	15-16 ▲		FLHX Street Glide	14-16 ▲
	FLHTKL Ultra Limited Low	15-16 ▲		FLHXS Street Glide Special	14-16 ▲
	FLHR Road King	17-20 ▲		FLSTC Heritage Softail Classic	98-03 ▲
	FLHRC Road King Classic	17 ▲		FLSTF Fat Boy	98-03 ▲
	FLHTCU Electra Glide Ultra Classic	17-20 ▲		FLSTS Heritage Springer	98-03 ▲
	FLHTK Ultra Limited	17-20 ▲		FLTR Road Glide	98-03 ▲
	FLHTKL Ultra Limited Low	17-20 ▲		FLTRU Road Glide Ultra	15-16 ▲
	FLHX Street Glide	17-20 ▲		FLTRX Road Glide	15-16 ▲
	FLHXS Street Glide Special	17-20 ▲		FLTRXS Road Glide Special	15-16 ▲
	FLTRU Road Glide Ultra	17-20 ▲		FXD Dyna Super Glide	98-03 ▲
	FLTRX Road Glide	17-20 ▲		FXDL Dyna Low Rider	98-03 ▲
	FLTRXS Road Glide Special	17-20 ▲		FXDS-CONV Dyna Glide Convertible	99-00 ▲
	FLHRXS Road King Special	17-20 ▲		FXDWG Dyna Wide Glide	98-05 ▲
	FLHTK Ultra Limited Shrine Edition	18 ▲		FXDX Dyna Super Glide Sport	99-03 ▲
	FLHTK Ultra Limited Anniversary	18 ▲		FXDXT Dyna Super Glide T-Sport	01-03 ▲
FLHX Street Glide Anniversary	18 ▲		FXST Softail Standard	99-03 ▲	
FLHXS Street Glide Special Anniversary	18 ▲		FXSTB Night Train	99-03 ▲	
FLSS Softail Slim S	16 ▲		FXSTC Softail Custom	98-99 ▲	
FLSTFBS Fat Boy S	16-17 ▲		FXSTD Softail Deuce	00-03 ▲	
FLSS Slim S	17 ▲		FXSTI Softail Standard	01-03 ▲	
FLSTFBS Fat Boy S	17 ▲		FXSTS Springer Softail	98-03 ▲	
			FLD 103 Dyna Switchback	12-16 ▲	
			FLHR 103 Road King	11-13 ▲	
			FLHR Road King	04-05 ▲	
			FLHR ANV Road King ANV	2013 ▲	
			FLHRC 103 Road King Classic	11-13 ▲	
			FLHRCI Road King Classic	04-05 ▲	
			FLHT Electra Glide Standard	04-05 ▲	
			FLHTC 103 Electra Glide Classic	11-13 ▲	
			FLHTC Electra Glide Classic	04-05 ▲	
			FLHTCI Ultra Classic	05 ▲	
			FLHTCU 103 Ultra Classic	11-13 ▲	
			FLHTCUI Ultra Classic	04 ▲	
			FLHTI Electra Glide Standard	04-05 ▲	
			FLHTK Electra Glide Ultra Limited	10-13 ▲	
			FLHTK ANV Electra Glide Ultra Limited ANV	13 ▲	
			FLHX 103 Street Glide	11-13 ▲	
			FLS 103 Softail Slim	12-15 ▲	
CK7003	INDIAN				
	Chief Classic	14-20			
	Chief Dark Horse	16-20			
	Chief Vintage	14-20			
	Chieftain	14-18			
	Chieftain Dark Horse	16-20			
	Chieftain Elite	17-20			
	Chieftain Limited	17-18			
	Roadmaster	15-18			
	Roadmaster Classic	17-20			
	Roadmaster Elite	18-20			
	Springfield	16-20			
	Springfield Dark Horse	18			
CK7004	HARLEY DAVIDSON®				
	XG500	15-20			
	XG750	15-20			
CK7005 ▲=CT706SP	HARLEY DAVIDSON®				
	VRSCAW 1HFH V-Rod Wide Tire	08 ▲			
	VRSCAWA 1HKH W/ABS	08 ▲			

PART NO.	MAKE/MODEL	YEAR	PART NO.	MAKE/MODEL	YEAR	
CK7008 ▲=CT703SP Contd.	FLS Slim	17 ▲		FXSTB Night Train	06-09 ▲	
	FLS Softail Slim	16 ▲		FXSTC Softail Custom	07-10 ▲	
	FLSTC 103 Heritage Softail Classic	13-15 ▲		FXSTD Softail Deuce	06-07 ▲	
	FLSTC 103 ANV Heritage Softail Classic ANV	13 ▲		FXSTS Springer Softail	06 ▲	
	FLSTC Heritage Softail Classic	04-05 ▲		FLTCU Tour Glide Ultra Classic	91-95 ▲	
	FLSTC Heritage Softail Classic	16-17 ▲		FLTCU Tour Glide Classic Ultra	90-96 ▲	
	FLSTCI Shrine Heritage Softail Classic Shrine	05 ▲				
	FLSTF 103 Fat Boy	12-15 ▲		CK7009	HARLEY DAVIDSON®	
	FLSTF Fat Boy	04-05 ▲		▲=CT701SP	FLHR Road King	93-97 ▲
	FLSTF Fat Boy	16-17 ▲			FLHS Electra Glide Sport	90-94 ▲
	FLSTFB 103 Fat Boy LO	12-17 ▲			FLHT Electra Glide Standard	94-97 ▲
	FLSTFB 103 ANV Fat Boy LO ANV	13 ▲			FLHTC Electra Glide Classic	91-97 ▲
	FLSTFI Shrine Fat Boy Shrine	05 ▲			FLHTC Touring Electra Glide Classic	90 ▲
	FLSTN 103 Softail Deluxe	12-15 ▲			FLHTCI Electra Glide Classic	96-97 ▲
	FLSTN Softail Deluxe	05 ▲			FLHTCU Ultra Classic	91-97 ▲
	FLSTN Softail Deluxe	16-17 ▲			FLST Softail Heritage	90 ▲
	FLSTSC Springer Classic	05-06 ▲			FLSTC Heritage Softail Classic	91-97 ▲
	FLTRI Road Glide	04-05 ▲			FLSTC Softail Heritage Classic	90 ▲
	FLTRU Road Glide Ultra	11-13 ▲			FLSTF Fat Boy	91-97 ▲
	FLTRX 103 Road Glide Custom	11-13 ▲			FLSTF Softail Fat Boy	90 ▲
	FXD Dyna Super Glide	04-05 ▲			FLSTN Heritage Softail Nostalgia	93-96 ▲
	FXDB 103 Dyna Street Bob	14-16 ▲			FLSTS Heritage Springer	97 ▲
	FXDB 103 Dyna Street Bob 103	17 ▲			FLTC Tour Glide Classic	90-92 ▲
	FXDBA 103 Dyna Street Bob H-D1	13-15 ▲			FXD Dyna Super Glide	95-97 ▲
	FXDBC 103 Dyna Street Bob Limited	16 ▲			FXDB Dyna Daytona	92 ▲
	FXDC 103 Dyna Super Glide Custom	14 ▲			FXDB Dyna Sturgis	91 ▲
	FXDC Dyna Super Glide Custom	05 ▲			FXDC Super Glide Custom	92 ▲
	FXDF 103 Dyna Fat Bob	12-17 ▲			FXDL Dyna Low Rider	93-97 ▲
	FXDI Dyna Super Glide	04-05 ▲			FXDS-CONV Dyna Glide Convertible	93 ▲
	FXDL 103 Dyna Low Rider	14-16 ▲			FXDWG Dyna Wide Glide	93-97 ▲
	FXDL 103 Low Rider 103	17 ▲			FXST Softail Standard	90 ▲
	FXDL Dyna Low Rider	04-05 ▲			FXSTC Softail Custom	90-97 ▲
	FXDWG 103 Dyna Wide Glide	12-16 ▲			FXSTS Springer Softail	90-97 ▲
	FXDWG 103 Dyna Wide Glide 103	17 ▲			XL1200 Sportster 1200	91-03 ▲
	FXDWGI Dyna Wide Glide	04-05 ▲			XL1200 Forty Eight Anniversary	18 ▲
	FXDX Dyna Super Glide Sport	04-05 ▲			XL1200C Sportster 1200 Custom	96-20 ▲
	FXS 103 Blackline	11-13 ▲			XL1200C ANV Sportster	
	FXSB 103 Softail Breakout	13-16 ▲			1200 Custom Anniversary	13 ▲
	FXSB Breakout	17 ▲			XL1200CA Sportster 1200 Custom Limited	13-17 ▲
	FXST 1BHY Softail Standard	04-06 ▲			XL1200CP Sportster 1200 Custom H-D1	11-16 ▲
	FXST Softail Standard	12-15 ▲			XL1200CX 1200 Roadster	16-20 ▲
	FXSTB Night Train	04-05 ▲			XL1200L Sportster 1200 Low	06-11 ▲
	FXSTD Softail Deuce	04-05 ▲			XL1200N Nightster	07-12 ▲
	FXSTS Springer Softail	04-05 ▲			XL1200R Sportster 1200 Roadster	04-09 ▲
	FLD Dyna Switchback	12-16 ▲			XL1200S Sportster 1200 Sport	96-03 ▲
	FLHR Road King	06-11 ▲			XL1200T SuperLow 1200T	14-20 ▲
	FLHRC Road King Classic	06-11 ▲			XL1200V Seventy-Two	12-16 ▲
	FLHRS Road King Custom	06-07 ▲			XL1200X Forty Eight	10-20 ▲
	FLHT Electra Glide Standard	06-10 ▲			XL50 50th Anniversary Sportster	07 ▲
	FLHTC Electra Glide Classic	06-11 ▲			XL883 Sportster 883	91-09 ▲
FLHTCU Ultra Classic	06-11 ▲			XL883C Sportster 883 Custom	98-10 ▲	
FLHX Street Glide	06-11 ▲			XL883DLX Sportster 883 Deluxe	91-95 ▲	
FLS Softail Slim	12-15 ▲			XL883HUG Sportster 883 Hugger	91-03 ▲	
FLST Heritage Softail	06-09 ▲			XL883L Sportster 883 SuperLow	05-20 ▲	
FLSTC 103 Heritage Softail Classic	06-15 ▲			XL883N Iron 883	09-20 ▲	
FLSTC ANV Heritage Softail Classic ANV	13 ▲			XL883R 883 Roadster	11-15 ▲	
FLSTF Fat Boy	06-15 ▲			XL883R 883R Sportster	02-10 ▲	
FLSTFB Fat Boy LO	10-15 ▲					
FLSTFB ANV Fat Boy LO ANV	13 ▲			CK7010	HARLEY DAVIDSON®	
FLSTN Softail Deluxe	06-15 ▲			▲=CT705SP	FLH Electra Glide	84-88 ▲
FLSTSB Cross Bones	08-11 ▲				FLH Electra Glide Shrine Shovelhead	84 ▲
FLSTSC Springer Classic	06-07 ▲				FLHS Electra Glide Sport	84-89 ▲
FLTR Road Glide	06-09 ▲				FLHT Electra Glide Classic	84-89 ▲
FLTRX Road Glide Custom	10-11 ▲				FLHTCU Electra Glide Classic Ultra	89 ▲
FXCW Rocker	08-09 ▲				FLST Softail Heritage	86-89 ▲
FXCWC Rocker C	08-11 ▲				FLSTC Softail Heritage Classic	87-89 ▲
FXD Dyna Super Glide	07-10 ▲				FLT Tour Glide Classic	84-89 ▲
FXD35 Dyna 35th Anniversary Super Glide	06 ▲				FLT Tour Glide	84 ▲
FXDB Dyna Street Bob	07-17 ▲				FLTCU Tour Glide Classic Ultra	89 ▲
FXDBC Dyna Street Bob Limited	16 ▲				FXE Super Glide	84 ▲
FXDC ANV Dyna Super Glide Custom ANV	13 ▲				FXEF Super Glide Fat Bob	85 ▲
FXDC Dyna Super Glide Custom	07-14 ▲				FXSB Low Rider	84-85 ▲
FXDCI Dyna Super Glide Custom	06 ▲				FXST Softail Standard	84-89 ▲
FXDF Dyna Fat Bob	08-17 ▲				FXSTC Softail Custom	86-89 ▲
FXDI Dyna Super Glide	06 ▲				FXSTS Softail Springer	88-89 ▲
FXDL Dyna Low Rider	06-17 ▲				FXSTS Softail Springer	88-89 ▲
FXDWG Dyna Wide Glide	06-16 ▲				FXWG Wide Glide	84-86 ▲
FXDWG ANV Dyna Wide Glide 105th Anniversary	08 ▲					
FXSB Softail Breakout	13-15 ▲					
FXST Softail Standard	07-11 ▲					

PART NO.	MAKE/MODEL	YEAR			
CK7011 ▲=CT704SP	HARLEY DAVIDSON® FLH Electra Glide FLH Electra Glide Shrine Shovelhead FLHS Electra Glide Sport FLHT Electra Glide FLHT Electra Glide Classic FLT Tour Glide Classic FLT Tour Glide	Early 84 ▲ Early 84 ▲ Early 84 ▲ Early 84 ▲ Early 84 ▲ Early 84 ▲ Early 84 ▲			
CK7012 ▲=CT704SP	HARLEY DAVIDSON® FLH Electra Glide Shrine Shovelhead FLH Electra Glide FLHC Electra Glide Classic FLHC Electra Glide Classic FLHS Electra Glide Sport FLHS Heritage Electra Glide FLHT Electra Glide Standard FLHT Electra Glide Classic FLHT Electra Glide FLHTC Electra Glide Classic FLT Tour Glide FLT Tour Glide Classic FLT Tour Glide FLT Tour Glide Classic FXDG Dyna Glide Custom FXE Super Glide FXEF Super Glide Fat Bob FXSB Low Rider FXST Softail Standard FXWG Wide Glide	83 ▲ 81-83 ▲ 81-82 ▲ 81 ▲ 81-83 ▲ 81 ▲ 83 ▲ 83 ▲ 83 ▲ 83 ▲ 83 ▲ 81-83 ▲ 80-83 ▲ 81-83 ▲ 80-83 ▲ 83 ▲ 81-83 ▲ 81 ▲ 83-84 ▲ Early 84 ▲ 81-84 ▲			
CK7013 ▲=CT701SP	HARLEY DAVIDSON® XR1200 1LA6 Sportster 1200 XR1200X 1LD6 XR1200X	08-10 ▲ 10-13 ▲			
CK7014 ▲=CT709SP	HARLEY DAVIDSON® XL1200 Sportster 1200 XL883 Sportster 883 XL883 Sportster 883 Deluxe XL883HUG Sportster 883 Hugger XLH 1100 Sportster 1100 XLH Sportster 1000 XLH883DLX Sportster 883 Hugger Deluxe XLS Sportster Roadster 1000 XR1000 Sportster	90 ▲ 86-90 ▲ 86-90 ▲ 87-90 ▲ 86-87 ▲ 84-85 ▲ 88-89 ▲ 84-85 ▲ 84 ▲			
CK7015 ▲=CT709SP	HARLEY DAVIDSON® XLCH Sportster 1000 XLH Sportster 1000 XLH Sportster Standard 1000 XLS Sportster Roadster 1000 XR1000 Sportster	71-80 ▲ 79-84 ▲ 71-80 ▲ 81-84 ▲ 83-84 ▲			
CK7016	HARLEY DAVIDSON® XLCH-1000 4AH0 Sportster 1000 XLH-1000 3AH0 Sportster Standard	70 70			
CK7018	INDIAN FTR 1200	19-21			

DRC/DRCF CLUTCH KITS BUYERS GUIDE

PART NO.	MAKE/MODEL	YEAR	PART NO.	MAKE/MODEL	YEAR
DRC001 ■=CT012SP	HONDA CR 80 R CR 80 R CR 85 R	85 ■ 86-02 ■ 03-07 ■	DRC022 ▲=CT011	SUZUKI RM 125 J/K/L/M	88-91 ▲
DRC002 ▲=CT001	HONDA CR 125	86-99 ▲	DRC023	SUZUKI LT 250 RH/RJ/RK	87-90
DRC003 ▲=CT009	HONDA CR 250 R CR 480 R CR 500 R	83-89 ▲ 83 ▲ 84-89 ▲	DRC024 ▲=CT022	SUZUKI RM 250 J/K/L	88-90 ▲
DRC004 ■=CT012SP	HONDA TRX 200 D TRX 200 Fourtrax TRX 200 SX TRX 250 Sportrax EX TRX 250 X TRX 250 TM Recon TRX 250 EX	91-97 ■ 90-91 ■ 86-87 ■ 01-08 ■ 09-11 ■ 97-14 ■ 01-08 ■	DRC025 DRCF025 ▲=CT011	SUZUKI RM 80	91-01 ▲
DRC005 ▲=CT013	HONDA TRX 250 RG/RH	86-87 ▲	DRC026 ▲=CT010	SUZUKI LT 500 RL/RM	90-91 ▲
DRC006 ■=CT013SP	HONDA TRX 300 TRX 350 TRX 400 TRX 450 ES	88-00 ■ 86-93 ■ 95-00 ■ 98-01 ■	DRC027	YAMAHA YZ 80 S/T/U/W	86-89
DRC007 ▲=CT070SP	KAWASAKI KX 60 A1/A2/B1-B19 SUZUKI RM 60 K3	83-03 ▲ 03 ▲	DRC028	YAMAHA YZ 125 S/T	86-87
DRC008 ▲=CT070SP	KAWASAKI KX 80 E3/G1/G2/J1/J2	85-87 ▲	DRC029	YAMAHA YZ 125 U	88
DRC009	KAWASAKI KX 80 L1 KX 100 N1	88 88	DRC030	YAMAHA YZ 125 W/A	89-90
DRC010	KAWASAKI KX 80 L2/L3/R1-R7 KX 100 A1/A2/B1-B7	89-97 89-97	DRC031	YAMAHA YZ 250 U/W/A/B/D	88-92
DRC011	KAWASAKI KX 125 D1/E1/E2 KDX 200 C3	85-87 88	DRC032 ▲=CT060	YAMAHA YTZ 250 N/S TRI Z YZ 490 J/K/L/N/S/T/U	85-86 ▲ 82-88 ▲
DRC013	KAWASAKI KX 125 F1/G1	88-89	DRC033 DRCF033 ▲=CT090SP	YAMAHA YFM 350 Big Bear YFM 350 X YFM 350 YFM 350 Raptor	86-93 ▲ 92-04 ▲ 92-94 ▲ 04-10 ▲
DRC015	KAWASAKI KX 250 E1/F1/G1	87-89	DRC035 ▲=CT060	YAMAHA YZ 250 N/S/T	85-87 ▲
DRC016	KAWASAKI KX 500 C1/D1 KX 500 E1-E16	87-88 89-04	DRC036	KAWASAKI KX 125 H1/H2	90-91
DRC017	KAWASAKI KX 250 H1	90	DRC038	KAWASAKI KXT 250 B1/B2 Tecate - 3 Wheel Model KX 50 B1/B2	86-87 85-86
DRC019	SUZUKI RM 80 XH/XJ	87-88	DRC039 ▲=CT011	YAMAHA YZ 125 B/D	91-92 ▲
DRC020 ▲=CT011	SUZUKI RM 80 K/L	89-90 ▲	DRC040 ▲=CT022	SUZUKI RM 250 M	91 ▲
DRC021 ▲=CT011	SUZUKI RM 125 G/H	86-87 ▲	DRC041 ▲=CT006	KAWASAKI KX 250 H2 KDX 250 D1	91 ▲ 91-93 ▲

PART NO.	MAKE/MODEL	YEAR	PART NO.	MAKE/MODEL	YEAR
DRC042 DRCF042 ▲=CT010	YAMAHA DT 125 R DT 125 RE DT 125 X TDR 125 4GW TZR 125 R/RR SDR 200 2TV WR 200 D/E/F YFS 200 Blaster DT 230 R Lanza 4TP1/2	88-03 ▲ 04-07 ▲ 05-06 ▲ 93-03 ▲ 93-95 ▲ 87-89 ▲ 92-94 ▲ 91-06 ▲ 97-98 ▲	DRC057 ▲=CT008 Contd.	TT 600 R 5CH2 TT 600 R 5CH3/4 TT 600 RE 5CH5 Electric Start XT 600 XT 600 Z	98-99 ▲ 00-02 ▲ 04 ▲ 84-87 ▲ 84-85 ▲
DRC043 DRCF043 ▲=CT008	YAMAHA YFZ 350 Banshee	87-09 ▲	DRC058 DRCF058 ▲=CT022	SUZUKI DR 250 S SJ44A QUADZILLA WK 300	90-95 ▲ 90-99 ▲ 06 ▲
DRC044 DRCF044 ■=CT013SP	HONDA XR 250 R TRX 300 EX TRX 300 X XR 350 R	86-95 ■ 93-08 ■ 09 ■ 83-84 ■	DRC059 ■=CT029SP	SUZUKI DR 650 R SP41A DR 650 R SP45A/B DR 650 R SP42A DR 650 R SP44A/B	90-91 ■ 91-93 ■ 90-91 ■ 92-93 ■
DRC045 DRCF045 ▲=CT002	KAWASAKI KX 80 KX 85 KX 85 II KX 100 SUZUKI RM 100 K3	98-00 ▲ 01-23 ▲ 01-17 ▲ 98-00 ▲ 03 ▲	DRC060 ■=CT013SP	HONDA XR 200 R XL 250 RE/RF XLR 250 R Baja 5 Plate MD22 XR 250 RE/RF	84-85 ■ 84-85 ■ 84-85 ■ 84-85 ■
DRC046 DRCF046 ▲=CT016	KAWASAKI KX 250 KX 250	92-02 ▲ 03-08 ▲	DRC061	KAWASAKI KDX 200 E1/E2/E3/E4/E5/E6	89-94
DRC048 ▲=CT022	SUZUKI RM 250 N/P	92-93 ▲	DRC062	KAWASAKI KDX 200 H1/H2/H3/H4/H5 KDX 220 R A4-A12/A6F KDX 220 SR	95-99 97-06
DRC049 DRCF049 ■=CT012SP	HONDA CRF 100 F XR 100 R	04-09 ■ 93-03 ■	DRC063	KAWASAKI KLR 250 D2-D22	84-05
DRC051	HONDA AX-1 NX 250 J/K/R/R3	89-94	DRC064 ▲=CT016	KAWASAKI KLE 500 A1-A12 KLE 500 B1P/B6F/B7F	91-04 ▲ 05-07 ▲
DRC052	SUZUKI RM 250 H	87	DRC065 ▲=CT016	KAWASAKI KLR 650 A1-A3 KL 650 B1/B2/B3 Tengai KLX 650 C1/C2/C3	87-89 ▲ 89-92 ▲ 93-97 ▲
DRC053 ■=CT013SP	HONDA XL 600 Transalp	87-99 ■	DRC066 ▲=CT010	YAMAHA YZ 80 E/LG/LW/F	93-94 ▲
DRC054 DRCF054 ▲=CT009	HONDA NX 500 Dominator XL 600 LM XR 600 R FMX 650 5/6 FX 650 Vigor NX 650 SLR 650 XR 650 L	88-99 85-87 ▲ 84-00 ▲ 05-08 99-03 ▲ 88-02 ▲ 97-98 ▲ 93-12 ▲	DRC067 ▲=CT013	HONDA CR 125 RD/RE	83-84 ▲
DRC055 ▲=CT039	YAMAHA AG 200 E 3G x 6	93 ▲	DRC068 ▲=CT001	HONDA CR 125 RF	85 ▲
DRC056 ▲=CT008	YAMAHA TT 350 A 3GJ TT 350 ITJ XT 350	90-95 ▲ 85-89 ▲ 85-95 ▲	DRC069	KAWASAKI KX 125 J2	93
DRC057 ▲=CT008	YAMAHA TT 600 L TT 600 N 59X TT 600 W 59X 2JT/3SW1 TT 600 K TT 600 E Electric Start TT 600 R 5CH1	84 ▲ 85-88 ▲ 89-92 ▲ 93-96 ▲ 94-95 ▲ 97 ▲	DRC070 DRCF070 ▲=CT005	YAMAHA YZ 125 YZ 125 YZ 125	93-95 ▲ 97-01 ▲ 05-16 ▲
			DRC071	YAMAHA YZ 250 E/F/G/H/J/L	93-99
			DRC072 ▲=CT022 DRC072 ▲=CT022	SUZUKI RM 250 R/S RMX 250 R/S/T/V/W SUZUKI RMX 250 ST/SV/SW/SX SJ14A	94-95 ▲ 94-98 ▲ 96-99 ▲
			DRC073 ▲=CT004	KAWASAKI KX 125 K4/K5/L1-L4	97-02 ▲
			DRC074	KAWASAKI KDX 200 C1/C2	86-87

PART NO.	MAKE/MODEL	YEAR	PART NO.	MAKE/MODEL	YEAR
DRC075 ▲=CT009	HONDA CR 250 R CR 500 R	90-93 ▲ 90-01 ▲	DRC093 ▲=CT013	HONDA CRM 250 R CRM 250 R RM MK2 CRM 250 R RP MK2 XR 400 R	89-90 ▲ 91-92 ▲ 93 ▲ 96 ▲
DRC076S ▲=CT003	SUZUKI RM 125 P/R/S/T/V/W	93-96 ▲	DRC094 ▲=CT011	SUZUKI DR 200 G/H/J	86-89 ▲
DRC078 ▲=CT010	YAMAHA YZ 80 G/H/J/K/L/M/N	95-01 ▲	DRC095 ▲=CT016	SUZUKI RM 250 V/W/X/Y/K1/K2	97-02 ▲
DRC079 DRCF079 ▲=CT009	HONDA CR 250 RR/RS/RT/RV/RW/RXRY/R1-R7	94-07 ▲	DRC097	YAMAHA YZ 250 M/N	00-01
DRC080 ▲=CT016	SUZUKI RM 250 T	96 ▲	DRC098 DRCF098 ▲=CT070SP	KAWASAKI KX 65 KLX 110 SUZUKI RM 65 K3/K4/K5	00-23 ▲ 02-20 ▲ 03-05 ▲
DRC081 ▲=CT013	HONDA TRX 250 RJ/RK	88-89 ▲	DRC099 ▲=CT008	YAMAHA YZ 400 FK/FL WR 400 FK/FL/FM/FN	98-99 ▲ 98-01 ▲
DRC082 ▲=CT090SP	YAMAHA YFM 350 YFM 350 ERG YFM 350 UH/UJ YFM 400 Kodiak YFM 400 Big Bear	94-97 ▲ 95 ▲ 96-97 ▲ 93-00 ▲ 03-04 ▲	DRC100 DRCF100 ▲=CT013	HONDA TRX 400 EX/EY/EXX/EXY/EX1-EX8 TRX 400 X9	99-08 ▲ 09 ▲
DRC083	KAWASAKI KX 125 J1	92	DRC101 DRCF101 ▲=CT001	HONDA CR 125 R4/R5/R6/R7	04-07 ▲
DRC084 ■=CT013SP	HONDA XR 250 RT/RV/RW/RX/RY/R1/R2/R3/R4 HONDA DALL'ARA XR 250 R XR 250 RM	96-04 ■ 04 ■ 04 ■	DRC102 ▲=CT020	YAMAHA YZ 426 FM	00 ▲
DRC085 DRCF085 ▲=CT005	YAMAHA YZ 125 H 2T YZ 125 P/R/S 2T	96 ▲ 02-04 ▲	DRC103 ▲=CT011	SUZUKI LT-F 4WD 300 Quadrunner LT-F 300 F ARCTIC CAT 300 2 x 4/4 x 4 300 4 x 4	91-98 ▲ 99-01 ▲ 98-04 ▲ 05 ▲
DRC087	SUZUKI DR 650 SET/SEV CCM R30 644 Suzuki Engine 644 DS/Supermoto	96-97 02-04 04	DRC104 ■=CT010SP	YAMAHA YTM 225 YFB 250 YFM 250 YFM 250 X Bear Tracker YFM 250 FN YFM 250 Bruin YFM 250 Big Bear YFU1W/T YFU1W/TW Pro Hauler Pro 4 230cc	85 ■ 92-00 ■ 90-92 ■ 00-04 ■ 01 ■ 05-06 ■ 07-10 ■ 89-90 ■ 89 ■
DRC088 DRCF088 ▲=CT008	YAMAHA XT 600 Z Kick & Electric Start XT 600 E Electric Start Only SZR 660 XTZ 660 Tenere YFM 660 RN/RP/RR/RS/RT Raptor	86-90 ▲ 90-03 ▲ 96-97 ▲ 91-97 ▲ 01-05 ▲	DRC105 DRCF105 ▲=CT006	KAWASAKI KLX 400 R KLX KSF 400 KFX SUZUKI DR-Z 400 S/E DR-Z 400 SM LT-Z 400 ARCTIC CAT 400 DVX CCM R35/R35S 404 E/DS Supermoto CR 40 S Cafe Racer CR 40 Street	03-04 ▲ 03-04 ▲ 00-09 ▲ 05-09 ▲ 03-04 ▲ 04-06 ▲ 06-07 ▲ 03-04 ▲ 07 ▲ 07 ▲
DRC089 ▲=CT011	SUZUKI LT-F 250 LT-F4WD LT 250 LT-F 250 F LT-F 300 ARCTIC CAT 250 2 x 4/4 x 4	89-01 ▲ 87-98 ▲ 85-86 ▲ 99-02 ▲ 88-89 ▲ 01-05 ▲	DRC106 ▲=CT013	HONDA XR 400 RV/RW/RX/RY/R1-R5 HONDA DALL'ARA XR 400/440 R XR 400/440 SM	97-05 ▲ 04 ▲ 04 ▲
DRC091 ■=CT012SP	HONDA CTX 200/CTX 200 A Bushlander XR 200 R XR 200 R XR 200 TLR 250 F	04-05 ■ 81-83 ■ 86-02 ■ 80-84 ■ 85- ■			
DRC092 ▲=CT009	HONDA XL 600 RD/LD/RE/LE/RF/RG/RH	83-87 ▲			

PART NO.	MAKE/MODEL	YEAR	PART NO.	MAKE/MODEL	YEAR		
DRC107 DRCF107 ▲=CT027	KTM SX 60 SX 65	98-00 98-08	DRC119 DRCF119 ▲=CT005	YAMAHA WR 250 F 4T	01-13 ▲		
DRC108 DRCF108 ▲=CT007	KTM SX 250 2T 250 EGS 250 EXC 2T EXC 250 2T Six Days 250 MXC 250 SXS XC 250 USD XC 250 2T 300 EGS EXC 300 2T 300 EXC EXC 300 2T Six Days 300 MXC SX 300 300 Six Days XC 300 USD 360 EGS 360 EXC 360 MXC 360 SX 360 Six Days 380 EXC 380 MXC SX 380 RXC-E 400 RXC-E 620	94-12 ▲	DRC120	SUZUKI LT-F 400 Eiger 4WD LT-F 400 King Quad 4WD LT-F 400 Eiger 2WD ARCTIC CAT 400 2 x 4 & 4 x 4 400 4 x 4	02-07 08-12 03-07		
		94-99 ▲	DRC121 ▲=CT020	YAMAHA YZ 450 FR/FS	03-04 ▲		
		94-12 ▲	DRC122 ▲=CT004	KAWASAKI KX 125	03-08 ▲		
		11-12 ▲	DRC123 DRCF123 ▲=CT004	KAWASAKI KX 250 F 4T KX 250 F 4T SUZUKI RM-Z 250 K4/K5/K6	04-08 ▲ 09-17 ▲ 04-06 ▲		
		11-12 ▲	DRC126 ■=CT013SP	HONDA TRX 350 FMY/1-5 Fourtrax#Rancher/4x4	00-05 ■		
		98-99 ▲	DRC127 †=CT013SP	HONDA TRX 350 TE/FE Fourtrax #Rancher ES/ES 4x4 FEY/1-5	00-05 ■		
		01-03 ▲	DRC128 DRCF128 ■=CT020	YAMAHA YFM 700 RV/RW/RA/R/RD/RE YFM 700 RSE	06-14 ▲ 13-14 ▲		
		94-07 ▲	DRC129 DRCF129 ▲=CT001	HONDA CRF 250 R4/R5/R6/R7	04-07 ▲		
		11-12 ▲	DRC130 DRCF130 ▲=CT003	SUZUKI RM 125 K2/K3/K4/K5/K6/K7/K8/K9 RM 125 XCK8	02-12 ▲ 09 ▲		
		94-05 ▲	DRC131 DRCF131 ▲=CT009	HONDA TRX 450 R	04-09 ▲		
		94 ▲	DRC136 ▲=CT002SP	HONDA CRF 230 F4/F5/F6/F7/F8/F9	04-09 ▲		
		96 ▲	DRC116 ▲=CT020	YAMAHA YZ 426 FN/FP	01-02 ▲		
		96 ▲	DRC117 ▲=CT059	KTM 250 EXC Racing 250 EXC-G Racing 400 EXC 400 MXC SX 400 450 EXC-G Racing 450 EXC Racing 450 MXC-G Racing 520 EXC SX 520 525 EXC Racing 525 EXC-G Racing 525 MXC Desert Racing 525 MXC-G Racing 525 SX Racing	DRC137 DRCF137 ▲=CT006	KAWASAKI KSF 400 KFX SUZUKI LT-Z 400 QuadSport ARCTIC CAT 400 DVX	05-06 ▲ 05-15 ▲ 07-08 ▲
		11-12 ▲			DRC139 ▲=CT028	KTM SX 85 SW 17"/14" SX 85 BW 19"/16"	03-17 ▲ 03-17 ▲
		96 ▲	DRC142 ■=CT029SP	SUZUKI DR 650 RER/RES SP45A/B	94-95 ■		
		96 ▲	DRC144 ▲=CT001	KTM SX 150 XC 50 USD 200 EGS 200 EXC 200 MXC SX 200	08-20 ▲ 11-13 ▲ 98-99 ▲ 97-14 ▲ 98-03 ▲ 03/06-07 ▲		

PART NO.	MAKE/MODEL	YEAR	PART NO.	MAKE/MODEL	YEAR
DRC145 ▲=CT001	KTM 125 EGS 125 EXC 125 EXE 125 Supermoto SX 125 SX 125 2T 125 SXS	98-99 ▲ 98-05 ▲ 00-01 ▲ 00-01 ▲ 98-07 ▲ 09-14 ▲ 01-02 ▲		400 EGS 400 EXC 400 Super Comp 620 Duke 620 EGS 620 EXC 620 Super Comp SX 620	94 ▲ 94 ▲ 95 ▲ 94 ▲ 94-95 ▲ 94-95 ▲ 94-95 ▲ 94 ▲
DRC148 DRCF148 ▲=CT009	HONDA CRF 450 R CRF 450 CRF 450 XRL	04-05 ▲ 05-17 ▲ 14-16 ▲	DRC170 ▲=CT030	KTM 380 EGS 400 EGS-E 400 EGS 400 EXC 400 LC-4 400 LC4-E LC4 R 400 400 LSE 400 LS-E 400 Super Comp/EXC 400 RXC-E SXC 400 400 SX-X 400 SX 400 SXC 400 TXC 620 Duke 620 EGS/Adventure 620 EGS-E 620 Enduro Ltd 620 LC-4 620 LSE 620 RXC-E 620 Six Days 620 SC SXC 620 640 LC Rallye Dakar 660 LC4	98-99 ▲ 97 ▲ 96-97 ▲ 96 ▲ 98 ▲ 00-01 ▲ 99 ▲ 97 ▲ 97 ▲ 96-99 ▲ 96-97 ▲ 97 ▲ 98 ▲ 99 ▲ 98 ▲ 97 ▲ 96-97 ▲ 97 ▲ 97 ▲ 98 ▲ 97 ▲ 96-97 ▲ 96 ▲ 00-01 ▲ 97 ▲ 97 ▲ 97 ▲
DRC154 ▲=CT023	KTM 250 EXC Racing 2T 400 EXC Racing 400 EXC-G Racing 450 EXC-G Racing 450 EXC Racing 450 MXC-G Racing 450 SMR SX 450 4T 525 EXC Racing 525 EXC-G Racing 525 MXC Desert Racing 525 SMR 525 SX Racing	05 ▲ 05 ▲ 05 ▲ 05 ▲ 05 ▲ 05 ▲ 04-05 ▲ 04-05 ▲ 05 ▲ 05 ▲ 05 ▲ 04-05 ▲ 05 ▲			
DRC155 DRCF155 ▲=CT045	SUZUKI RMX 450 RM-Z 450	10-15 ▲ 05-23 ▲			
DRC158 DRCF158 ▲=CT006	KAWASAKI KX 450 F KLX 450 R	06-11 ▲ 08-15 ▲			
DRC159 DRCF159	YAMAHA YZF 450 S/T/V Quad	04-06	DRC171 ▲=CT023	KTM 250 EXC-G Racing 250 EXC Racing 400 EXC Racing 400 EXC-G Racing 400 EXC 400 EXC-G Racing 400 MXC 400 SX Racing 450 EXC Racing 450 EXC-G Racing 450 EXC 450 MXC-G Racing MXC 450 SMR 450 SX 450 4T SX 450 4T XC 450 Quad 4T 520 SX Racing 525 EXC-G Racing 525 EXC 525 MXC Desert Racing MXC 525 525 SX Racing SX 525 XC 525 Quad 540 SXS Racing SMR 560 SX-F 250 4T SX-F 250 Factory 4T XC-F 250 4T XC-F 350	03 ▲ 02-03 ▲ 02 ▲ 02 ▲ 07-09 ▲ 06 ▲ 02 ▲ 02 ▲ 03 ▲ 03 ▲ 06-09 ▲ 03 ▲ 06 ▲ 06-07 ▲ 03 ▲ 06-09 ▲ 08-09 ▲ 02 ▲ 03 ▲ 03 ▲ 03 ▲ 06 ▲ 03 ▲ 06 ▲ 08-12 ▲ 02 ▲ 06-07 ▲ 16-20 ▲ 16-20 ▲ 16-20 ▲ 16-23 ▲
DRC160 ▲=CT016	SUZUKI RM 250 K6/K7/K8/K9 RM 250 XCK8	06-12 ▲ 09 ▲			
DRC161 ▲=CT016	SUZUKI RM 250 K3/K4/K5	03-05 ▲			
DRC162 ▲=CT020	YAMAHA YZ 450 FT/FV	05-06 ▲			
DRC163 DRCF163 ▲=CT001	KTM SX-F 250 4T EXC-F 250 4T EXC-F 250 4T Six Days XC-F 250 USD XC-F 250	05-12 ▲ 06-13 ▲ 11-12 ▲ 11-12 ▲ 12 ▲			
DRC164 DRCF164 ▲=CT045	SUZUKI LT-R 450 K6/K7/K8/K9/L0/L1	06-12 ▲			
DRC165 ▲=CT040SP	CCM 604 Trial/SM/RS/R30 Rotax Engine	98-03 ▲			
DRC168 ▲=CT016	KAWASAKI KLR 650 C1-C10 KLR 650 KL 650 E8F/E9F	95-04 ▲ 08-09 ▲	DRC172	KTM 450 SMS	04
DRC169 ▲=CT030	KTM 350 EXC 350 Super Comp 400 Duke	94 ▲ 94-95 ▲ 94-95 ▲	DRC173 ▲=CT075	KTM 350 MX 2T 350 Enduro 2T 500 MX 2T 500 Enduro 2T	89 ▲ 89 ▲ 89 ▲ 89 ▲

PART NO.	MAKE/MODEL	YEAR	PART NO.	MAKE/MODEL	YEAR
	500 Enduro 4T C 500 MX 4T LC 600 MX 4T LC 600 Enduro 4T C	89 ▲ 89 ▲ 89 ▲ 89 ▲			
DRC174 ▲=CT001	KTM EXC 125 EXC 125 2T Six Days SX 125	07-15 ▲ 11-15 ▲ 08 ▲	DRC196 ▲=CT030	KTM 540 SX-C 620 LC4 Competition 620 LC4 Super Moto 620 Super Comp SX 620 620 Supermoto 620 TXC 625 SC 625 SMC 625 SXC 640 Adventure-R 640 Duke-E Duke-E 640 Duke II 640 Duke II 640 640 LC4 640 LC4 640 LC4 Six Days 640 LC4-E 640 LC4 Adventure 640 LC4 Supermoto	98-99 ▲ 99 ▲ 99 ▲ 96-99 ▲ 97-99 ▲ 98 ▲ 98 ▲ 03 ▲ 04-06 ▲ 03-04 ▲ 98-02 ▲ 98 ▲ 98 ▲ 99-02 ▲ 03-07 ▲ 99 ▲ 99-00 ▲ 99 ▲ 00-02 ▲ 03-06 ▲ 03-04 ▲
DRC175 ▲=CT030	KTM 660 LC4 Rallye 660 SM Factory Replica 660 SMC	99-00 ▲ 02-03 ▲ 03-04 ▲	DRC199 ▲=CT030	KTM 690 Rally Factory Replica	07-09 ▲
DRC176 ▲=CT030	KTM 660 Rallye 660 Rallye factory	01-03 ▲ 04 ▲	DRC200 DRCF200 ▲=CT005	YAMAHA YFM 250 RX/RV Raptor YFM 250 R 33B	08-09 ▲ 09-11 ▲
DRC177 ▲=CT015	KTM 690 Duke R 690 SM-LE Limited Edition 950 Adventure S 950 Adventure 950 Superenduro R 990 Adventure/S 990 Adventure Dakar Edition ABS 990 Adventure R 990 Adventure ABS Model 990 Superduke 990 Superduke R 990 Supermoto T SM-T 990 Supermoto R SM-R	10-11 10-11 03-04 ▲ 06 ▲ 07-08 ▲ 06-08 ▲ 11 ▲ 09-12 ▲ 09-12 ▲ 05-11 ▲ 07-13 ▲ 08-13 ▲ 08-13 ▲	DRC201 DRCF201	YAMAHA YZF 450 W/X Quad YZF 450 RY/RZ Quad	07-08 09-10
DRC178 ▲=CT075	KTM EXC 400 LC4 Engine 400 RXC-E SC 400 LC4 Engine 620 RXC-E	93-95 ▲ 95 ▲ 95 ▲ 95 ▲	DRC205 ▲=CT069	HUSQVARNA Svartpilen 401 Vitpilen 401 701 Enduro R 701 Supermoto Svartpilen 701 Vitpilen 701 KTM 690 Duke 690 Duke R 690 Enduro 690 R Enduro 690 SMR 690 SMC 690 SMC-R 690 SM-LE Limited Edition	18-23 ▲ 18-23 ▲ 16-23 ▲ 16-23 ▲ 18-20 ▲ 18-20 ▲ 08-14 ▲ 10-11/13-14 ▲ 08-14 ▲ 09-23 ▲ 07-11 ▲ 08-11 ▲ 12-18 ▲ 10-11 ▲
DRC179 ▲=CT009	HONDA XR 650 RY/R1-R7	00-07 ▲	DRC206 ▲=CT001	GAS-GAS EC 125 2T SM 125 2T Supermotard	00-08 ▲ 03-06 ▲
DRC180 ■=CT012SP	HONDA CRF 150 F3/F4/F5	03-05 ■	DRC207 ▲=CT009	GAS-GAS EC200/250/300 2T EC 450 FSR/FSE 4T Enduro SM 450 FSR 4T Supermotard Wild HP 450 Quad EC 515 FSR/FSE 4T Enduro SM 515 FSR 4T Supermotard	00-08 ▲ 05-08 ▲ 07-08 ▲ 04-08 ▲ 05-08 ▲ 07-08 ▲
DRC181 ■=CT012SP	HONDA CRF 150 F6/F7	06-07 ■	DRC208 DRCF208 ▲=CT001	HONDA CRF 250 R CRF 250 X CRF 250 XRL	08-09 ▲ 04-17 ▲ 14-16 ▲
DRC182 DRCF182 ▲=CT002	HONDA CRF 150 R SW 17"/14" CRF 150 RB BW 19"/16"	07-20 ▲ 07-20 ▲	DRC211 ▲=CT012SP	KAWASAKI KLX 125 KLX 125 D-Tracker KLX 150 L KLX 150 D-Tracker	10-16 ▲ 10-14 ▲ 14-15 ▲ 16 ▲
DRC184 ▲=CT009	KTM SX-F 450 450 SX-F Quad SX-F 505 505 SX-F Quad	07-10 ▲ 09-11 ▲ 07-09 ▲ 09-12 ▲	DRC212 ▲=CT042	KAWASAKI KLX 250 KLX 250	06-07 ▲ 09-16 ▲
DRC185 ▲=CT006	KAWASAKI KFX 450 R Quad	08-14 ▲			
DRC189 DRCF189 ▲=CT004	SUZUKI RM-Z 250 K7/K8/K9	07-09 ▲			
DRC194 ▲=CT020	YAMAHA WR 450 F	05-15 ▲			
DRC195 DRCF195 ▲=CT020	YAMAHA YZ 450 F WR 450 F	07-11 ▲ 16 ▲			

PART NO.	MAKE/MODEL	YEAR	PART NO.	MAKE/MODEL	YEAR
DRC214	ARCTIC CAT 400 2 x 4 500 4 x 4	98 98-02	DRC232 ■=CT010SP	YAMAHA YFM 200 DKW/DX/DXA	86-90 ■
DRC215	ARCTIC CAT 400 2 x 4/4 x 4	98-02	DRC233	KAWASAKI KEF 300 B1/B2 Lakota Sport KLF 300 A1/A2/B1-B17/C1-C17	01-02 87-05
DRC216 ▲=CT006	ARCTIC CAT Bearcat 454 4 x 4 Bearcat 454 2 x 4 500 4 x 4 Manual 500 Manual 4 x 4	96-98 ▲ 97-98 ▲ 03-04 ▲ 05-09 ▲	DRC234 ▲=CT006	KAWASAKI KLF 400 B1-B7	93-98 ▲
DRC217 ▲=CT006	SUZUKI LT-F 500 FW/FX/FY/FK1/FK2	98-02 ▲	DRC236 ■=CT013SP	HONDA TRX 500 Fourtrax Foreman 4WD-ES TRX 500 Fourtrax Foreman 4x4 EPS TRX 500 Fourtrax Foreman	05-10 ■ 08-09 ■ 08-10 ■
DRC218 ▲=CT011	SUZUKI LT 160 LT-F 160 LT 160 QuadSport LT 230 LT-F 230	89-92 ▲ 90-03 ▲ 03-04 ▲ 85-86 ▲ 86-87 ▲	DRC237 ■=CT013SP	HONDA TRX 500 Fourtrax Foreman 4WD TRX 500 Fourtrax Foreman	05-10 ■ 05-06 ■
DRC220 ▲=CT011	SUZUKI LT-F 250 K2 Ozark Up to F/No JSAAJ51A22100696	02 ▲	DRC238 ■=CT013SP	HONDA TRX 420 4WD - Fourtrax ES TRX 420 Fourtrax ES - 2WD	07-11 ■ 07-09 ■
DRC221 ▲=CT011	SUZUKI LT-F 250 K3 Ozark LT-F 250 K5-K9/L2-L4 Ozark	03 ▲ 05-14 ▲	DRC239 ■=CT013SP	HONDA TRX 420 4WD - Fourtrax TRX 420 Fourtrax - 4WW TRX 420 Fourtrax 2WD	07-11 ■ 09-11 ■ 07-11 ■
DRC222 ▲=CT011	SUZUKI LT-F 250 K4 Ozark LT-Z 250 K4/K5/K6/K7/K8/K9/L0 QuadSport	04 ▲ 04-12 ▲	DRC240 DRCF240 ▲=CT009	HONDA TRX 700 XX8/XX9/XXB	08-11 ▲
DRC223	SUZUKI LT-F 400 K2 Eiger	02	DRC241 DRCF241 ▲=CT057SP	KTM SX 65 HUSQVARNA TC 65	09-23 ▲ 17-23 ▲
DRC224	KAWASAKI KLF 220 KLF 250 Bayou 250	88-02 03-11	DRC244 DRCF244 ▲=CT009	HONDA CRF 450 R9/RA 4 spring type clutch	09-10 ▲
DRC225 ▲=CT004	KAWASAKI KSF 250 A1-A18 KXF 250 Mojave	87-04 ▲	DRC247 ▲=CT034SP	APRILIA AF1 125 Classic 125 MX 125 Pegaso 125 Red Rose 125 Cast Wheel Red Rose 125 Spoke Wheel RS 125 2T RX 125 Tuono 125	87-91 ▲ 95-01 ▲ 04-06 ▲ 91-95 ▲ 87 ▲ 88-94 ▲ 92-14 ▲ 92-98 ▲ 03-04 ▲
DRC226 ▲=CT005	YAMAHA TT 250 RM 4PX6 WR 250 R WR 250 XX/XY Supermoto/32D2/4	00 ▲ 08-20 ▲ 08-10 ▲	DRC249 ■=CT012SP	HONDA CRF 230 L CRF 230 M Supermoto	08-10 ■ 09-10 ■
DRC227 DRCF227 ▲=CT005	YAMAHA YZ 250 FX/FY/FZ/FB/FD 4T	08-13 ▲	DRC250 ▲=CT009	MONTESA-HONDA 315R 2T	97-04 ▲
DRC228 ▲=CT008	YAMAHA YFM 350 FX Wolverine All models	95-04 ▲	DRC252 ▲=CT041	KTM EXC 400 4T EXC-R 450 4T EXC 450 4T EXC 450 4T Six Days EXC 530 EXC 530 4T Six Days EXC-R 530	09-11 ▲ 08 ▲ 09-11 ▲ 11 ▲ 09-11 ▲ 11 ▲ 08 ▲
DRC229 ▲=CT039	YAMAHA XT 225 3RW4 Serrow 1KH 080101- XT 225 W 4JG1/2/3/4 Serrow XT 225 WE 4JG5/6 Serrow ST 225 5BT Bronco	92 ▲ 93-96 ▲ 97-98 ▲ 97 ▲	DRC254 DRCF254 ▲=CT045	SUZUKI RM-Z 450 K5/K6/K7	05-07 ▲
DRC230 DRCF230 ▲=CT044	YAMAHA TT-R 125 All models	00-20 ▲			
DRC231 ▲=CT039	YAMAHA TW 200 2JL/4CS1/2/3/5 TW 200 E 4CS4/6/5LB1/2 TW 225 E 5VC1/2 XT 225 3RW1/2/4/5 Serrow 1KH- XT 225 S 3RW3 1KH- 202101-109000	91-98 ▲ 98-01 ▲ 02-03 ▲ 89-93 ▲ 92 ▲			

PART NO.	MAKE/MODEL	YEAR	PART NO.	MAKE/MODEL	YEAR
DRC255 DRCF255 ▲=CT004	SUZUKI RM-Z 250	10-23 ▲		EXC 500 Six Days EXC 500 4T EXC 500 4T Six Days Diaphragm Spring	12 ▲ 12 ▲ 12 ▲
DRC256 DRCF256 ▲=CT001	HONDA CRF 250 RA	10 ▲	DRC274 ▲=CT011	SUZUKI DF 200 EV/EW/EY DR 200 SE Trojan DR 200 SEK1-SEK9 RV 200 K2/K3	97-99 ▲ ▲ 01-09 ▲ 02-03 ▲
DRC259 DRCF259 ▲=CT009	HONDA CRF 450 RB/RC	11-12 ▲	DRC275 ▲=CT023	KTM EXC 250 2T EXC 250 2T Six Days EXC-F 250 4T EXC-F 250 Six Days 4T SX 250 2T Diaphragm Spring EXC 300 2T Diaphragm Spring EXC 300 2T Six Days EXC-F 350 4T/Diaphragm Spring EXC-F 350 Six Days 4T/Diaphragm Spring EXC 450 4T Diaphragm Spring EXC 450 4T Six Days EXC-F 450 4T/Diaphragm Spring SX-F 450 4T Diaphragm Spring EXC-F 500 4T EXC-F 500 Six Days 4T EXC 300 2T EXC 300 Six Days 2T	13-20 ▲ 13-18 ▲ 14-20 ▲ 14-20 ▲ 13-20 ▲ 13-23 ▲ 13-15 ▲ 18-20 ▲ 18-19 ▲ 13-15 ▲ 13-18 ▲ 18-19 ▲ 13 13-20 ▲ 13-20 ▲ 16-18 ▲ 16-18 ▲
DRC260 ▲=CT023	KTM SX-F 250 2T Coil Spring XC-F 250 4T Coil Spring SX-F 350 USD Forks EXC-F 350 USD Forks XC-F 350 XCF-W 350 2T XCF-W 350 Six Days 2T	13-15 ▲ 13 ▲ 11-20 ▲ 11 ▲ 12-13 ▲ 16 ▲ 16 ▲	DRC276 DRCF276 ▲=CT009	HONDA CRF 450 R 6 Spring CRF 450 RE	13-16 ▲ 16 ▲
DRC261 DRCF261 ▲=CT001	HONDA CRF 250 R CRF 250 RE Limited Road Use	11-20 ▲ 16 ▲	DRC277 DRCF277 ■=CT081SP	HONDA CRF 250 L CRF 250 ME Supermoto CRF 250 RL/RLA Rally CBF 300 NA CBR 300 RA	13-20 ■ 14-15 ■ 17-20 ■ 18-19 ■ 14-19 ■
DRC262 DRCF262 ▲=CT001	HONDA CR 125 RY/R1/R2/R3	00-03 ▲	DRC280 ▲=CT013	SUZUKI DR-Z 250 K1-K7 DJ43A	01-07 ▲
DRC263 ▲=CT020	YAMAHA WR 450 FS	04 ▲	DRC281 ▲=CT023	KTM SX-F 450 4T Diaphragm Spring EXC-F 500 XC-W 500 YAMAHA T Max 530 ABS T Max 530 DX ABS T Max 530 SX ABS T Max 530 Black Max ABS T Max 530 Bronze Max ABS T Max 530 Iron Max ABS	14-20 ▲ 17 ▲ 16 ▲ 12-19 17-19 17-19 13 14 15
DRC264 ▲=CT264	HUSQVARNA CR 125 HUSQVARNA SMS 125 WR 125 WRE 125	00-11 ▲ 00-11 ▲ 00-11 ▲ 00-11 ▲	DRC287 DRCF287 ▲=CT020	YAMAHA YZ 450 FE/FF 4T YZ 450 FG 270mm Disc YZ 450 FGY 60th Anniversary Edition/270mm Disc	14-15 ▲ 16-20 ▲ 16-20 ▲
DRC265 ▲=CT008	YAMAHA YZ 400 FK/FL	98-99 ▲	DRC288 DRCF288 ▲=CT005 ■=CT020	YAMAHA YZ 250 FE/FF 4T YZ 250 FG 270mm Disc YZ 250 FGY 60th Anniversary Edition/270mm Disc	14-15 ▲ 16-18 ■ 16 ■
DRC266 ▲=CT013	HONDA XR 400 R5/R6 Motard NC38E XR 400 M Supermotard ND08/NC38E	05-06 ▲ 06-08 ▲	DRC293 ▲=CT023	HUSQVARNA FC 250/FC 350 FX 350	14-20 ▲ 17-20 ▲
DRC267 ▲=CT009	XL 1000 Varadero 10 Plate Kit	99-02 ▲	DRC296 ▲=CT023	HUSQVARNA FC 450 FC 450 Rockstar Edition	14-20 ▲ 20 ▲
DRC268 ▲=CT009	XL 1000 Varadero 8 plate kit	03-11 ▲			
DRC269 DRCF269 ▲=CT006	KAWASAKI KX 450 F	12-20 ▲			
DRC270 ▲=CT013SP	HONDA TRX 500 FEC TRX 500 FPEC	12 ▲ 12 ▲			
DRC271 ▲=CT013SP	HONDA TRX 500 FMC	12 ▲			
DRC273 ▲=CT023	KTM EXC-F 350 Six Days EXC-F 350 Diaphragm Spring 350 Freeride EXC 450 EXC 450 4T Six Days EXC 450 Six Days EXC-F 450 4T SX-F 450 4T Diaphragm Spring EXC 500	12-18 ▲ 12-18 ▲ 12-15 ▲ 12 ▲ 12 ▲ 12 ▲ 12 ▲ 12 ▲ 12 ▲ 12 ▲			

PART NO.	MAKE/MODEL	YEAR			
DRC297 ▲=CT011	SUZUKI LT-F 250 K2 Ozark From F/No # JSAAJ51A22100697-	02 ▲			
DRC298 DRCF298 ▲=CT020	YAMAHA WR 450 FG/FH 270mm F/Disc/4T	16-20 ❖			
DRC299 DRCF299 ▲=CT092	HONDA CRF 450 RH 6 Spring Type CRF 450 RXH 18" Rear Wheel CRF 450 X	17-20 ▲ 17-20 ▲ 18-19 ▲			
DRC300 ▲=CT091	AJP PR5 250 Trials PR5 250 Supermoto PR5 250 Enduro PR5 250 Extreme	13-17 ▲ 13-17 ▲ 13-17 ▲ 13-17 ▲			
DRC301 DRCF301 ▲=CT009	HONDA CRF 450 6 Spring kit	17-19 ▲			
DRC303 DRCF303 ▲=CT001	KTM SX 125 XC-W 150	15-18 ▲ 17-18 ▲			
DRC304 DRCF304 ▲=CT087SP	HUSQVARNA TC85 KTM SX 85	18 ▲ 18-20 ▲			
DRC306 DRCF306 ▲=CT009	HONDA CRF 1000 L	16-19 ▲			
DRC311	METRAKIT GP50	All			
DRC313 DRCF313	YAMAHA YZ 250 F 4T	16-20			
DRC315 DRCF315	YAMAHA YZ 250 F 4T	19			
DRC320	KTM Duke 790 Adventure 790 Duke 890 Adventure 890	17-23 17-23 23 23			
DRC322	YAMAHA YFZ 450 R	14-21			
DRC333	BETA Enduro 400 RR Enduro 450 RR	10-15 10-15			
DRC335	HONDA CRF 250 F	19-21			
DRC336	KAWASAKI KX-F 250	23			
DRC337	KAWASAKI KX-F 450 TBC	23			

SRC CLUTCH KITS BUYERS GUIDE

PART NO.	MAKE/MODEL	YEAR	PART NO.	MAKE/MODEL	YEAR
SRC002	HONDA VF 750 FD/FE	83-85	SRC017 ▲=CT036SP	SUZUKI GSX 600 F GSXR 750	92-97 ▲ 90-95 ▲
SRC003 ▲=CT014	HONDA VFR 750 F	86-97 ▲	SRC019 ▲=CT014 ●=CT014SP	HONDA CB 600 F Hornet CBF 600 N4/N5/N6 Non ABS CBF 600 N CBF 600 S4/S5/S6 Non ABS CBF 600 S CBR 600 F CBR 900 RR Fireblade 929cc CBR 900 RR Fireblade 954cc	98-06 ● 04-06 ● 04-06 ● 04-06 ● 04-06 ● 91-98 ● 00-01 ▲ 02-03 ▲
SRC004 ■=CT009	HONDA CB 1000 F CBR 1000 F	93-97 ■ 87-99 ■	SRC020 ▲=CT016	KAWASAKI ZL 900 A1/A2 Eliminator Z 1000 E1/E2 ST-Shaft GPz 1000 RX A1-A3 1000 GTR ZG 1000 A1-A18 ZX 10 B1/B2/B3 ZL 1000 A1 GPz 1100 A1-A3 Z 1100 R1 Z 1100 A1-A3 Z 1100 D1/D2 Spectre ZR 1100 A1/A2/A3/A4/B1 ZRX 1100 ZX 1100 C1/C2/C3/C4	85-86 ▲ 79-80 ▲ 86-88 ▲ 86-03 ▲ 88-90 ▲ 87 ▲ 82-85 ▲ 84 ▲ 81-83 ▲ 82-83 ▲ 92-97 ▲ 97-00 ▲
SRC005 ▲=CT014	HONDA VFR 750 RJ/RK/RL RC30	88-92 ▲	SRC021 ▲=CT004	KAWASAKI ZXR 400 ZX 400 L1-L5/L8/L9	91-02 ▲
SRC006 ▲=CT010	YAMAHA FZR 400 RR 4DX FZR 400 Genesis 1WG FZR 400 3EN1/3EN2 FZR 400 RR 3TJI	92 ▲ 86 ▲ 88-89 ▲ ▲	SRC022 ▲=CT016	KAWASAKI ZL 400 A Eliminator ZL 400 B Eliminator SE ZZ-R 600 650 Vulcan S EN ER-6f EX 650 ER-6f ER-6n ER ER-6n ER 650 ABS ER-6n KLE 650 Versys ABS	86-87 ▲ 88 ▲ 90-92 ▲ 15-16 ▲ 06-08 ▲ 12-16 ▲ 06-11 ▲ 06-08 ▲ 12-16 ▲ 07-13 ▲
SRC007 ▲=CT010	YAMAHA FZR 400 RSP 2TK-EXUP FZR 400 RRSF 3TJ2/6/7 FZR 600	87 ▲ ▲ 89-93 ▲	SRC024 ▲=CT016	KAWASAKI ZXR 750 J1/J2/L1-L3/P1-P7 ZXR 750 R ZX 750 K1/K2/M1/M2	91-03 ▲ 91-94 ▲
SRC008 ■=CT008	YAMAHA FZR 750 FZR 1000	87 ■ 87-88 ■	SRC025 ▲=CT021	KAWASAKI ZZ-R 1100 C1/C2/C2A/C3/D1-D9 ZX 1100 E1/E2/F1 ZZR 1200 C1H/C2H	90-01 ▲ 95-98 ▲ 02-04 ▲
SRC009 ■=CT008SP	YAMAHA FZR 750 R OW01 YZF 750 R/SP TDM 850 TRX 850	89-90 ■ 93-97 ■ 96-98 ■ 96-98 ■	SRC029 ■=CT008SP	YAMAHA FZR 1000 GTS 1000 YZF 1000 Thunder Ace	93-95 ■ 93-96 ■ 96-02 ■
SRC010 ▲=CT055SP	SUZUKI GSX 1100 GM/GN GSXR 1100 K/L/M/N	91-94 ▲ 89-92 ▲	SRC031 ■=CT008SP	YAMAHA FZR 1000	89-92 ■
SRC011 ▲=CT016	KAWASAKI Z 400 ZR 400 ZX 400 EN 450 Ltd EN 500 ER-5 ER 500 GPz 500 S EX GPZ 500 S EX GPZ 500 S EX Z 500 GT 550 GPz 550 ZR 550 Z ZR 550 Zephyr Z 550 Ltd KLR 600 KL KLR 600 GPz 600 R GPX 600 R	80-83 ▲ 83-84 ▲ 85 ▲ 86-89 ▲ 90-04 ▲ 97-07 ▲ 87-02 ▲ 88-93 ▲ 94-04 ▲ 79-81 ▲ 83-01 ▲ 81-87 ▲ 83-84 ▲ 91-99 ▲ 80-81 ▲ 84 ▲ 85-94 ▲ 85-89 ▲ 88-96 ▲	SRC033 ▲=CT054SP	YAMAHA YZF 600 Thunder Cat	96-03 ▲
SRC013 ▲=CT029	SUZUKI GSX 600 FJ/FK/FL/FM GSXR 750 F/G/H GR75A	88-91 ▲ 85-87 ▲	SRC034 ▲=CT010	YAMAHA FZR 250 FZR 250 R 3LN1/3/5/6/7 FZX 250 Zeal 3YX1/2/4	87 ▲ ▲ 91-92 ▲
SRC014 ▲=CT036SP	SUZUKI GSXR 750 J/K	88-89 ▲	SRC038 ▲=CT004	KAWASAKI ZX-6R F1/F2/F3 ZX-6R ZX 600 J1/J2 ZX6R ZX 636 A1P 636cc ZX6R ZX 636 B1/B2	95-97 ▲ 00-01 ▲ 02 ▲ 03-04 ▲
SRC015 ▲=CT048SP	SUZUKI GSX R 1100 G/H/J	86-88 ▲			
SRC016 ▲=CT009SP	HONDA CBR 500 FH/FJ/FK/FL CBR 600 FH/FJ	87-90 ▲ 87-88 ▲			

PART NO.	MAKE/MODEL	YEAR	PART NO.	MAKE/MODEL	YEAR
SRC039 ▲=CT055SP	SUZUKI RF 900 RR GSXR 1100 WP/WR/WS/WT	94 ▲ 93-96 ▲	SRC051 ■=CT008SP	YAMAHA YZF 600 R R6 8 plate FZ6 IB3/IB3D FZ6-NS IB35/6 FZ6-Fazer Half Fairing 5VX/5VXL FZ6-Fazer Half Fairing FZ6 Fazer S2 Half Fairing FZ6 Fazer S2 Half Fairing FZ6 S2 5S51/5S5 FZX 700 Fazer FZ 750	99-02 ■ 04-07 ■ 05-06 ■ 04-07 ■ 06-07 ■ 08 ■ 07-09 ■ 07-09 ■ 86-87 ■ 85-86 ■
SRC040 ▲=CT055SP	SUZUKI GSXR 750 GS 1200 GV78A GSF 1200 S Bandit GSF 1200 GSF 1200 S Faired Bandit GSF 1200 Bandit GSF 1200 S Faired Bandit GSX 1200 FS Inazuma GSF 1200 Bandit GSF 1200 S Faired Bandit	96-99 ▲ 01 ▲ 97 ▲ 01-05 ▲ 01-05 ▲ 96-00 ▲ 96-00 ▲ 98-99 ▲ 06 ▲ 06 ▲	SRC053 ▲=CT016	KAWASAKI GPX 750 F1/F2/F2A/F3 Z 750 D1 Z 750 Y1 Ltd GPz 900 R A1-A8 GPZ 900 R ZX 900 A11	87-89 ▲ 76 ▲ 82 ▲ 84-96 ▲ 98 ▲
SRC041 ▲=CT016	KAWASAKI ZX7 RR ZX 750 N1/N2 ZX-9R ZX 900 B1-B4	96-99 ▲ 94-97 ▲	SRC054 ▲=CT016	KAWASAKI Z 1000 R1/R2 Eddie Lawson Replica Z 1000 J1/J2/J3 Z 1000 K1/K2 LTD GPZ 1100 B1/B2	82-83 ▲ 81-83 ▲ 81-82 ▲ 81-82 ▲
SRC042 ▲=CT009	HONDA CBR 600 FK/FL	89-90 ▲	SRC055 ▲=CT014	HONDA CBR 900 RRT/RRV	96-97 ▲
SRC043 ▲=CT016	KAWASAKI ZZR 600 ZX 600 E1-E13 ZZR 600 ZX 600 E6F	93-05 ▲ 06-07 ▲	SRC056 ▲=CT017	YAMAHA YZF R1 4XV1/2	98 ▲
SRC044 ▲=CT016	KAWASAKI ZR 400 Zephyr G2/G3/G3A/G4/G5 GPX 600 R C1-C3/C6-C7 ZL 600 B1	97-01 ▲ 88-96 ▲ 95-97 ▲	SRC057 ▲=CT014	HONDA CBR 600 FS1/FS2 Sport CBR 600 FB/FC/FAB/FAC CB 900 F2/F3/F4/F5/F6/F7 Hornet CBR 900 RRW/RRX 918cc	01-02 ▲ 11-12 ▲ 02-07 ▲ 98-99 ▲
SRC045 ▲=CT036SP	SUZUKI RF 600 RP/RR/RS/RT	93-96 ▲	SRC058 ■=CT055SP	SUZUKI GSXR 600 V/W/X/Y	97-00 ■
SRC046 ▲=CT016SP	KAWASAKI W 650 EJ VN 700 Vulcan VN 750 Z 750 W 800 EJ W 800 EJ Cafe style W 800 EJ Special Edition W 800 EJ W 800 Special Edition VN 800 VN 800 Drifter W 800 Special Edition GPZ 900 R ZX VN 900 Classic VN 900 Custom VN 900 Classic VN 900 Classic Special Edition	99-05 ▲ 85 ▲ 86-94 ▲ 77-78 ▲ 11-12 ▲ 11 ▲ 12 ▲ 13-16 ▲ 13-16 ▲ 95-06 ▲ 99-04 ▲ 14 ▲ 99-02 ▲ 06 ▲ 07-20 ▲ 07-20 ▲ 11-20 ▲	SRC059 ▲=CT004	KAWASAKI ZX9R ZX 900 C1/C2	98-09 ▲
SRC047 ■=CT012SP	HONDA CB 250 F Hornet MC31 CBR 250 MC14/17/19 CBR 250 RR MC22 VT 250 C Magna MC29 VTZ 250 VTR 250 MC33	96-01 ■ 86-89 ■ 90-94 ■ 95-97 ■ 86-88 ■ 98-07 ■	SRC060	HONDA VTR 1000 FV/FW/FX/FY/F1-F6 Firestorm	97-06
SRC048 ▲=CT009SP SRC049 ■=CT013SP	HONDA CBX 550 FC/F2C/FD/F2D HONDA CBR 400 RRL/RRN/RRR NC29	82-85 ▲ 90-94 ■	SRC061 ■=CT013SP	HONDA NT 400 Bros NC 25 NV 400 CJ/CK Steed NV 400 CS/CV Steed NV 400 DCY/DC1/DC2 NC40 Shadow Slasher	92-93 ■ 95-97 ■ 00-02 ■
SRC050 ■=CT024SP	SUZUKI GS 1000 GT/GX GSX 1000 SZ GS 1100 GZ GSX 1100 ET/EX/EZ GSX 1100 SZ GSX 1100 EFE/EFG/ESF	80-81 ■ 82 ■ 82 ■ 80-82 ■ 82 ■ 84-86 ■	SRC062 ■=CT013SP	HONDA NTV 650 NT 650 Deauville NC 700 S NC 700 X NT 700 Deauville NC 750 S NC 750 S ABS NC 750 X NC 750 X ABS	88-97 ■ 98-05 ■ 12-13 ■ 12-17 ■ 06-12 ■ 14-15 ■ 14-18 ■ 14-15 ■ 14-19 ■
			SRC063 ▲=CT002	HONDA VFR 400 R NC30	89-92 ▲
			SRC064 ■=CT013SP	HONDA NT 650 BROS VT 750 C VT 750 S XRV 650 Africa Twin	88-92 ■ 97-09 ■ 10-12 ■ 88-89 ■
			SRC065	YAMAHA YZF R1 4XV7/8 5JJ1/8 5PW1/7	99-03

PART NO.	MAKE/MODEL	YEAR	PART NO.	MAKE/MODEL	YEAR
SRC066 ▲=CT014	HONDA CBR 600 FX/FY Carb Model	99-00 ▲	SRC082 ▲=CT033SP	SUZUKI SV 400 SV 400 DL 650 V-Strom DL 650 V-Strom DL 650 V-Strom Xpedition DL 650 V-Strom DL 650 GT V-Strom Traveller ABS DL 650 XT V-Strom SFV 650 SV 650 SV 650 SV 650 S Top Fairing SV 650 ABS	03-05 ▲ 03-05 ▲ 04-06 ▲ 07-11 ■ 11 12-15 ▲ 09-11 ▲ 15 -20 ▲ 09-15 ▲ 03-10 ▲ 07-15 ▲ 03-15 ▲ 16-20 ▲
SRC067 ▲=CT021	SUZUKI GSX 1300 RX	99 ▲	SRC083 ▲=CT004	KAWASAKI ZX6RR ZX 600 M1	04 ▲
SRC068 ▲=CT019	SUZUKI TL 1000 RW/RX/RY TL 1000 SX/SY	98-00 ▲ 99-00 ▲	SRC084 ▲=CT004	KAWASAKI ZX-6R ZX 636 C1/C6F ZX6RR ZX 600 N1/N6F	05-06 ▲ 05-06 ▲
SRC070 ▲=CT056SP	HONDA ST 1100 Pan European ST 1100 Pan European ST 1100 Pan European	92-95 ▲ 96-02 ▲ 90-02 ▲	SRC085 ▲=CT015	SUZUKI GSXR 1000 GSX-S 1000 GSX-S 1000 F Faired Katana	05-08 ▲ 18-20 ▲ 18-20 ▲ 19-20 ▲
SRC071 ▲=CT014	SUZUKI GSXR 750 Y	00 ▲	SRC086 ▲=CT015	SUZUKI GSXR 600 K6/K7	06-07 ▲
SRC072 ▲=CT008	YAMAHA XT 550 SRX 600 SRX 600 1JK/3SX	83 ▲ 86-87 ▲ 85-91 ▲	SRC087 ■=CT008SP	YAMAHA YZF R6 9 plate	06-18 ■
SRC074 ■=CT008SP	YAMAHA YZF-R6 8 plate	03-05 ■	SRC088 ▲=CT015	SUZUKI GSXR 600 K8/K9/L0 GSXR 750 K6/K7/K8/K9/L0	08-10 ▲ 06-10 ▲
SRC075 ▲=CT014	HONDA CB 600 F Hornet CBF 600 N CBF 600 S CBR 600 RR CBR 600 RR Hannspree CBR 600 R C-ABS VFR 800 XA Crossrunner/ABS VFR 800 XA Crossrunner/ABS	07-13 ▲ 08-11 ▲ 08-12 ▲ 03-19 ▲ 08 ▲ 09-19 ▲ 11-13 ▲ 15-16 ▲	SRC089 ▲=CT004	SUZUKI GSXR 1000 K1/K2/K3/K4 ZX9R ZX 900 E1/E2/F1/F2 Z 1000 ZR 1000 A1/A2/A3/A6F	01-04 ▲ 00-03 ▲ 03-06 ▲
SRC076 ▲=CT004	KAWASAKI ZX6RR ZX 600 K1	03 ▲	SRC090	HONDA CRF 50 F	04-20
SRC077 ▲=CT020	YAMAHA FZ1 1000cc 2D11 FZ-1 Fazer 1000cc 3C3 FZ-1 Fazer Half Fairing 5D0 FZ1 N/NA YZF R1	06-09 ▲ 06-15 ▲ 08-15 ▲ 10-15 ▲ 04-06 ▲	SRC091	ELSTARS PIT BIKES Various models Check parts before fitting	
SRC078 ▲=CT014	SUZUKI GSXR 600 K4/K5	04-05 ▲	SRC093 ▲=CT020	YAMAHA YZF R1SP YZF R1	06 ▲ 07-08 ▲
SRC079 ▲=CT004	KAWASAKI ZX 10R ZX ZX10R ZX ZX10R 30th Anniversary Edition ZX ZX 10R ZX ZX 10R Winter Test Edition ZX ZX 10R Ninja KRT Replica ZX ZX-10RR ZX-10RR Performance	04-07 ▲ 08-15 ▲ 15 ▲ 16 ▲ 16 ▲ 16 ▲ 17-20 ▲ 17-20 ▲	SRC094 ▲=CT014	HONDA CBR 900 RR/RRP/RRR/RRS	92-95 ▲
SRC080 ■=CT009	HONDA CBR 1000 RR Fireblade CB 1000 R CB 1000 RA	04-07 ■ 09-15 ■ 09-16 ■	SRC095 ▲=CT043SP	HONDA CBR 1000 RR Fireblade Diaphragm Type Clutch CBR 1000 RR-SP ABS Fireblade CBR1000 SAE/SAF/SAG CBR 1000 RR-SP ABS -TT Edition	08-16 ▲ 14-16 ▲ 16 ▲
SRC081 ●=CT022 I=CT033SP	SUZUKI SV 400 N VK53A SV 400 SN VK53A SV 400 SV 400 SV 650 SV 650 S Top Fairing	98 ● 98 ● 00-02 ● 00-02 ● 99-02 ▲ 99-02 ▲	SRC096 ▲=CT020	YAMAHA YZF R1	09-14 ▲
			SRC097 ▲=CT009	SUZUKI GSXR 1000 K9/L0/L1/L2	09-12 ▲
			SRC098 ▲=CT021	KTM RC8 1190cc RC8 R Track 1190cc	08-10 ▲ 10-12 ▲

PART NO.	MAKE/MODEL	YEAR	PART NO.	MAKE/MODEL	YEAR
SRC099	YAMAHA XP 500 T-Max Scooter - All models	01-11	SRC127 ■=CT008SP	YAMAHA XJ6-N 600 XJ6-F Diversion 600cc Full Fairing Diversion 1CW XJ6-S Diversion 600 Top Fairing Diversion 36C XJ6-SP Diversion 600	09-15 ■ 10-15 ■ 09-15 ■ 13 ■
SRC101 ▲=CT004	KAWASAKI ZX6R 599cc	07-16 ▲	SRC128 ■=CT080	YAMAHA YZF-R3 321cc/ABS MT 03 MTN321cc MT-10 998cc	15-20 ■ 16 ■ 12-20 ■
SRC103	HONDA VFR 1200 FA Manual Gearbox Model	10-15 ▲	SRC129 ■=CT079SP	YAMAHA YZF- R1 YZF- R1 M YZF- R1 60th Anniversary Edition MT-10 998cc	15-23 ■ 15-23 ■ 16 ■ 16 ■
SRC110 ▲=CT015	SUZUKI GSX-R 600 GSX-R 750 GSX-S 750	11-23 ▲ 11-23 ▲ 15-20 ▲	SRC130 ▲=CT085	BMW F650 GS Late type plates 2 x 13mm/7 x 14mm ears F700 GS Late type plates 2 x 13mm/7 x 14mm ears F800 GS Late type plates 2 x 13mm/7 x 14mm ears F800 GS Adventure Late type plates 2 x 13mm/7 x 14mm ears F800 GT Late type plates 2 x 13mm/7 x 14mm ears F800 S Late type plates 2 x 13mm/7 x 14mm ears F800 ST Late type plates 2 x 13mm/7 x 14mm ears F800 R Late type plates 2 x 13mm/7 x 14mm ears	07-17 ▲ 11-17 ▲ 12-19 ▲ 12-19 ▲ 07-19 ▲ 07-19 ▲ 07-19 ▲ 07-19 ▲ 05-19 ▲
SRC111 ▲=CT014	SUZUKI GSXR 750 K1/K2/K3	01-03 ▲	SRC131 ▲=CT017	YAMAHA XT 1200 Z Super Tenere XT 1200 ZE Super Tenere FJR 1300 N/P FJR 1300 FJR 1300 A FJR 1300 AE Electronic Suspension XVS 1300 A Midnight Star XVS 1300 CU Custom	10-16 ▲ 14-16 ▲ 01-02 ▲ 03-05 ▲ 06-15 ▲ 14-15 ▲ 07-16 ▲ 14-16 ▲
SRC112 ▲=CT014	SUZUKI GSXR 600 K1/K2/K3/ZK3	01-03 ▲	SRC133 ▲=CT009	SUZUKI GSX 1400 K2/K3/K4/K5/K6/K7	02-07 ▲
SRC113 ▲=CT041	APRILIA RSV4 Factory SBK Racing RSV4 Factory APRC RSV4R RSV4R APRC	09-10 ▲ 11-13 ▲ 10 ▲ 11-13 ▲	SRC139	KTM 390 Duke RC 390	13-14 14-15
SRC115 ▲=CT035SP	SUZUKI GS 1000 HC/EC/EN/SN/ET	78-80 ▲	SRC140	KTM Duke 250 RC 250 Duke 390 RC 390 Svartpilen 401 Vitpilen 401	15-19 15-18 15-17 16-17 18-23 18-23
SRC117	APRILIA ETV 1000 Caponord/Rally PS00/PSB0 ETV Caponord PS004	01-03 04-08	SRC141 ■=CT014SP	BENELLI Leoncino 500 Leoncino Trail 500 TRK 502 ABS Euro 4 TRK 502 X BN 600 GT BN 600 i BN 600 R BN 600 S	17-19 ▲ 18-19 ▲ 17-18 ▲ 18-19 ▲ 14-17 ■ 14-17 ■ 14-15 ■ 14-15 ■
SRC118 ▲=CT009	KAWASAKI EX300 Ninja 300 EX300 Ninja 300 Special Edition Versys-X 300 Z 300 ABS ER 300 BFF	13-16 ▲ 13-16 ▲ 17-20 ▲ 15-16 ▲	SRC142 ▲=CT009	SUZUKI GSXR 1000 ABS	17-20 ▲
SRC119 ▲=CT012SP	HONDA CBR 125 R	07-16 ▲	SRC143 ▲=CT014	HONDA CBR 600 F CBR 600 FR Fuel Injected Rossi rep CBR 600 FS Fuel Injected	01-06 ▲ 01-02 ▲ 01-02 ▲
SRC120 ▲=CT009	SUZUKI GSXR 1000 L2/L3/ZL3/L4/ZL4L5/AL5/AL6	12-16 ▲			
SRC121 ▲=CT014	SUZUKI GSXR 750 K4/K5	04-05 ▲			
SRC122 ▲=CT083SP	HONDA Monkey 125 MSX 125 Grom MSX 125 A Grom ABS	19-20 ▲ 13-20 ▲ 17-20 ▲			
SRC124 ▲=CT020	YAMAHA MT-09 1RC MT-09 Tracer MT-09A 2DR MT-09A Sport Tracker MT-09A Street Rally	14-16 ▲ 15-20 ▲ 14-20 ▲ 14-20 ▲ 14-20 ▲			
SRC125 ▲=CT020	YAMAHA MT-07A MT-07 Motocage XSR 700 MTM 690-U	14-20 ▲ 15 ▲ 16 ▲			
SRC126 ▲=CT020	YAMAHA FZ8 N-800cc Fazer 8 S-800cc Top Fairing	11-15 ▲ 11-15 ▲			

PART NO.	MAKE/MODEL	YEAR	PART NO.	MAKE/MODEL	YEAR
SRC144 ▲=CT085	BMW F800 GS Early type plates 14mm ears F800 GT Early type plates 14mm ears F800 S Early type plates 14mm ears F800 ST Early type plates 14mm ears	08-11 ▲ 04-06 ▲ 04-06 ▲ 04-06 ▲	SRC165	BMW R 1200 GS R 1200 GS Adventure R 1200 R R 1200 RS R 1250 GS R 1250 GS TE R 1250 GS Rallye R 1250 GS Rallye TE R 1250 GS Adventure R 1250 GS Adventure TE R 1250 GS Adventure Rallye R 1250 GS Adventure Rallye TE	13-18 13-18 13-18 14-18 19-20 19-20 19-20 19-20 19-20 19-20 19-20 19-20 19-20
SRC145 ▲=CT083	BMW G 650 GS R13 G 650 GS Sertao R13 G 650 XCountry K15	08-16 ▲ 10-14 ▲ 08-10 ▲	SRC166 CT014	TRIUMPH Tiger 800 Tiger 800 XC Tiger 800 XR	11-12 11-12 18-
SRC146 ▲=CT086SP	TRIUMPH Bonneville T120 1200cc LC Bonneville T120 Black 1200cc LC Bonneville Bobber 1200cc LC Bonneville Bobber Black 1200cc LC Thruxton 1200 LC Thruxton R 1200 LC	16-23 ▲ 16-23 ▲ 17-23 ▲ 18-23 ▲ 16-23 ▲ 16-23 ▲	SRC167	KAWASAKI Ninja 400 Z 400	17-21 17-21
SRC147 ▲=CT086SP	TRIUMPH Bonneville T100 900cc Bonneville T100 Black 900cc Street Cup 900cc Street Scrambler 900cc Street Twin 900cc	16-23 ▲ 16-23 ▲ 16-20 ▲ 16-20 ▲ 16-18 ▲	SRC168	KTM 1050 Adventure 1090 Adventure 1090 Adventure L 1090 Adventure R KTM Contd. 1090 Adventure S 1190 Adventure 1190 Adventure R 1290 Super Adventure 1290 Super Adventure R 1290 Super Adventure S 1290 Super Adventure T	15-16 17-18 2019 17-19 19 13-16 13-16 13-16 17-21 17-23 17
SRC148 ▲=CT011	SUZUKI GSX-R 125 GSX-S 125 GSX 150 L6/DZAL6 Gixxer GSX-R 150 RF-Q/RFX-Q GSX-R 150 GSX-S 150	18-20 ▲ 18-20 ▲ 16 ▲ 17-18 ▲ 18-20 ▲ 18-20 ▲	SRC169	SUZUKI GSX-S 750	15-21
SRC149 ▲=CT014	HONDA CB 650 FA CBR 650 FA	14-18 ▲ 14-18 ▲	SRC170	BMW F 750 GS F 850 GS F 850 GS Adventure	16-21 16-21 16-21
SRC150	KAWASAKI Z 750 ZR Z 750 R Black Edition ZR Z 750 R ZR Z 800 Z 800 E	09-10 12 11-12 13-16 13-16	SRC7001	INDIAN Octane Scout Scout Sixty	17 15-16 16-17
SRC151 ▲=CT013	BMW G 310 GS G 310 R	17-20 ▲ 17-20 ▲	SRC7002	INDIAN Scout Scout 1200 Scout Bobber Scout Sixty	17-20 17-20 18 17-20
SRC153	KTM Duke 200 RC 200	12-19 14-19	SRC7003 ▲=CT702SP	HARLEY DAVIDSON FLHTCUTG Tri Glide Ultra Classic FLRT Freewheeler FLHTK 103 CVO Limited FLHTCUL Ultra Classic Low FLHTCUL TC Ultra Classic Low Twin-Cooled FLHTKL Ultra Limited Low FLSS Softail Slim S FLSTFBS Fat Boy S FLSS Slim S FLSTFBS Fat Boy S	14-16 ▲ 15-16 ▲ 14 ▲ 15-16 ▲ 15-16 ▲ 15-16 ▲ 15-16 ▲ 16 ▲ 16-17 ▲ 17 ▲ 17 ▲
SRC154	KTM Duke 125 RC 125	11-19 14-19	SRC7004	INDIAN Chief Classic Chief Dark Horse Chief Vintage Chieftain Chieftain Dark Horse Chieftain Elite Chieftain Limited Roadmaster Roadmaster Classic Roadmaster Elite Springfield	14-20 16-20 14-20 14-18 16-20 17-20 17-18 15-18 17-20 18-20 16-20
SRC155	KAWASAKI Ninja 650 EX 650 Z 650 ER 650	18-23 18-23			
SRC160 ▲=CT008SP	YAMAHA YZF-R6	18-23 ▲			
SRC161	HONDA CB 1100 EX	16-19			
SRC162	YAMAHA XSR 900 ABS	18-20			
SRC163	KAWASAKI Ninja H2	15-20			
SRC164	KAWASAKI Ninja H2R	15-20			

PART NO.	MAKE/MODEL	YEAR	PART NO.	MAKE/MODEL	YEAR
SRC7004	Springfield Dark Horse	18		FLHXS Street Glide Special	14-16 ▲
SRC7005	HARLEY DAVIDSON® XG500 XG750	15-20 15-20		FLSTC Heritage Softail Classic	98-03 ▲
SRC7006 ▲=CT706SP	HARLEY DAVIDSON® VRSCAW V-Rod Wide Tire VRSCAWA W/ABS VRSCD Night Rod VRSCDA Night Rod W/ABS VRSCDXA Night Rod Special W/ABS VRSCDX Night Rod Special VRSCAW V-Rod VRSCF V-Rod Muscle VRSCDX ANV Night Rod Special Anv	08 ▲ 08 ▲ 08 ▲ 08 ▲ 08 ▲ 08-17 ▲ 09-10 ▲ 09-17 ▲ 12 ▲		FLSTF Fat Boy FLSTS Heritage Springer FLTR Road Glide FLTRU Road Glide Ultra FLTRX Road Glide FLTRXS Road Glide Special FXD Dyna Super Glide FXDL Dyna Low Rider FXDS-CONV Dyna Glide Convertible FXDWG Dyna Wide Glide FXDX Dyna Super Glide Sport FXDXT Dyna Super Glide T-Sport FXST Softail Standard FXSTB Night Train FXSTC Softail Custom FXSTD Softail Deuce FXSTI Softail Standard FXSTS Springer Softail	98-03 ▲ 98-03 ▲ 98-03 ▲ 15-16 ▲ 15-16 ▲ 15-16 ▲ 98-03 ▲ 98-03 ▲ 99-00 ▲ 98-05 ▲ 99-03 ▲ 01-03 ▲ 99-03 ▲ 99-03 ▲ 98-99 ▲ 00-03 ▲ 01-03 ▲ 98-03 ▲
SRC7007 ▲=CT707SP	HARLEY DAVIDSON® VRSCA V-Rod VRSCAW V-Rod VRSCB V-Rod VRSCR Street Rod VRSCSE CVO V-Rod VRSCSE2 CVO V-Rod VRSCX Screamin' Eagle V-Rod VRXSE CVO VR Destroyer	02-06 ▲ 07 ▲ 04-05 ▲ 06-07 ▲ 05 ▲ 06 ▲ 07 ▲ 06 ▲	SRC7012 ▲=CT703SP	HARLEY DAVIDSON® FLD 103 Dyna Switchback FLHR 103 Road King FLHR Road King FLHR ANV Road King ANV FLHRC 103 Road King Classic FLHRCI Road King Classic FLHRI Road King FLHRS Road King Custom FLHT Electra Glide Standard FLHTC 103 Electra Glide Classic FLHTC Electra Glide Classic FLHTCI Ultra Classic FLHTCU 103 Ultra Classic FLHTCUI Ultra Classic FLHTI Electra Glide Standard FLHTK Electra Glide Ultra Limited FLHTK ANV Electra Glide Ultra Limited ANV FLHX 103 Street Glide FLS 103 Softail Slim FLS Slim FLS Softail Slim FLSTC 103 Heritage Softail Classic FLSTC 103 ANV Heritage Softail Classic ANV FLSTC Heritage Softail Classic FLSTC Heritage Softail Classic FLSTCI Shrine Heritage Softail Classic Shrine FLSTF 103 Fat Boy FLSTF Fat Boy FLSTF Fat Boy FLSTFB 103 Fat Boy LO FLSTFB 103 ANV Fat Boy LO ANV FLSTFI Shrine Fat Boy Shrine FLSTN 103 Softail Deluxe FLSTN Softail Deluxe FLSTN Softail Deluxe FLSTSC Springer Classic FLTRI Road Glide FLTRU Road Glide Ultra FLTRX 103 Road Glide Custom FXD Dyna Super Glide FXDB 103 Dyna Street Bob FXDB 103 Dyna Street Bob 103 FXDBA 103 Dyna Street Bob H-D1 FXDBC 103 Dyna Street Bob Limited FXDC 103 Dyna Super Glide Custom FXDC Dyna Super Glide Custom FXDF 103 Dyna Fat Bob FXDI Dyna Super Glide FXDL 103 Dyna Low Rider FXDL 103 Low Rider 103 FXDL Dyna Low Rider FXDWG 103 Dyna Wide Glide FXDWG 103 Dyna Wide Glide 103 FXDWGI Dyna Wide Glide FXDX Dyna Super Glide Sport FXS 103 Blackline FXSB 103 Softail Breakout FXSB Breakout	12-16 ▲ 11-13 ▲ 04-05 ▲ 13 ▲ 11-13 ▲ 04-05 ▲ 04-05 ▲ 04-05 ▲ 11-13 ▲ 04-05 ▲ 05 ▲ 11-13 ▲ 04 ▲ 04-05 ▲ 10-13 ▲ 13 ▲ 11-13 ▲ 12-15 ▲ 17 ▲ 16 ▲ 13-15 ▲ 13 ▲ 04-05 ▲ 16-17 ▲ 05 ▲ 12-15 ▲ 04-05 ▲ 16-17 ▲ 12-17 ▲ 13 ▲ 05 ▲ 12-15 ▲ 05 ▲ 16-17 ▲ 05-06 ▲ 04-05 ▲ 11-13 ▲ 11-13 ▲ 04-05 ▲ 14-16 ▲ 17 ▲ 13-15 ▲ 16 ▲ 14 ▲ 05 ▲ 12-17 ▲ 04-05 ▲ 14-16 ▲ 17 ▲ 04-05 ▲ 12-16 ▲ 17 ▲ 04-05 ▲ 11-13 ▲ 13-16 ▲ 17 ▲
SRC7008 ▲=CT708SP	HARLEY DAVIDSON® FLFBS Fat Boy 114 FLFBS Fat Boy 114 Anniversary FLFBS Fat Boy 114 Anniversary FLHCS Heritage Classic 114 FLHCS Heritage Classic 114 Anniversary FLHP Road King Police FLHTCUTG Tri Glide Ultra FLHTCUTG Tri Glide Ultra Anniversary FLHTP Electra Glide Standard Police FLRT Freewheeler FXBRS Breakout 114 FXBRS Breakout 114 Anniversary FXFBS Fat Bob 114	18 ▲ 18-20 ▲ 18 ▲ 18-20 ▲ 18 ▲ 17 ▲ 17-20 ▲ 18 ▲ 17 ▲ 17-18 ▲ 18-20 ▲ 18 ▲ 18 ▲			
SRC7009 ▲=CT703SP	HARLEY DAVIDSON® FLHP Road King Police FLHPE Road King Police FLHTCUTG Tri Glide Ultra Classic FLHTCUTG ANV Tri Glide Ultra Classic ANV FLHTP Electra Glide Standard Police FLHXXX Street Glide Trike FXDLS Dyna Low Rider S	11-16 ▲ 11 ▲ 09-13 ▲ 13 ▲ 11-16 ▲ 10-11 ▲ 16-20 ▲			
SRC7010 ▲=CT702SP	HARLEY DAVIDSON® FLHR Road King FLHRC Road King Classic FLHRXS Road King Special FLHTCU Electra Glide Ultra Classic FLHTK Ultra Limited FLHTK Ultra Limited Shrine Edition FLHTK Ultra Limited Anniversary FLHTKL Ultra Limited Low FLHX Street Glide FLHX Street Glide Anniversary FLHXS Street Glide Special FLHXS Street Glide Special Anniversary FLTRU Road Glide Ultra FLTRX Road Glide FLTRXS Road Glide Special	17-20 ▲ 17 ▲ 18 ▲ 17-20 ▲ 17-20 ▲ 18 ▲ 18 ▲ 18 ▲ 17-20 ▲ 17-20 ▲ 18 ▲ 17-20 ▲ 18 ▲ 17-20 ▲ 17-20 ▲ 17-20 ▲ 17-20 ▲ 17-20 ▲			
SRC7011 ▲=CT703SP	HARLEY DAVIDSON® FLHR Road King FLHR Road King FLHRC Road King Classic FLHRCI Road King Classic FLHT Electra Glide Standard FLHTC Electra Glide Classic FLHTCU Ultra Classic FLHTCU TC Ultra Classic Twin-Cooled FLHTCUI Ultra Classic FLHTK Ultra Limited FLHX Street Glide	15-16 ▲ 98-03 ▲ 14-16 ▲ 98-99 ▲ 98-03 ▲ 98-03 ▲ 14-16 ▲ 14-16 ▲ 98-03 ▲ 14-16 ▲ 14-16 ▲			

PART NO.	MAKE/MODEL	YEAR	PART NO.	MAKE/MODEL	YEAR
	FXST 1BHY Softail Standard	04-06 ▲		FXSB FX Low Rider	84-85 ▲
	FXST Softail Standard	12-15 ▲		FXST Softail Standard	84-89 ▲
	FXSTB Night Train	04-05 ▲		FXSTC Softail Custom	86-89 ▲
	FXSTD Softail Deuce	04-05 ▲		FXSTS Softail Springer	88-89 ▲
	FXSTS Springer Softail	04-05 ▲		FXWG FX Wide Glide	84-86 ▲
SRC7013 ▲=CT703SP	HARLEY DAVIDSON®		SRC7017 ▲=CT704SP	HARLEY DAVIDSON®	
	FLD Dyna Switchback	12-16 ▲		FLH Touring Electra Glide	Early 84 ▲
	FLHR Road King	06-11 ▲		FLH Touring Electra Glide Shrine Shovelhead	Early 84 ▲
	FLHRC Road King Classic	06-11 ▲		FLHS Touring Electra Glide Sport	Early 84 ▲
	FLHRS Road King Custom	06-07 ▲		FLHT Electra Glide	Early 84 ▲
	FLHT Electra Glide Standard	06-10 ▲		FLHT Electra Glide Classic	Early 84 ▲
	FLHTC Electra Glide Classic	06-11 ▲		FLT Classic Tour Glide Classic	Early 84 ▲
	FLHTCU Ultra Classic	06-11 ▲		FLT Tour Glide	Early 84 ▲
	FLHX Street Glide	06-11 ▲			
	FLS Softail Slim	12-15 ▲		SRC7018 ▲=CT704SP	HARLEY DAVIDSON®
	FLST Heritage Softail	06-09 ▲	FLH Touring Electra Glide Shrine Shovelhead		83 ▲
	FLSTC 103 Heritage Softail Classic	06-15 ▲	FLH Electra Glide		81-83 ▲
	FLSTC ANV Heritage Softail Classic ANV	13 ▲	FLHC Touring Electra Glide Classic		81-82 ▲
	FLSTF Fat Boy	06-15 ▲	FLHC Electra Glide Classic		81 ▲
	FLSTFB Fat Boy LO	10-15 ▲	FLHS Touring Electra Glide Sport		81-83 ▲
	FLSTFB ANV Fat Boy LO ANV	13 ▲	FLHS Heritage, Electra Glide		81 ▲
	FLSTN Softail Deluxe	06-15 ▲	FLHT Touring Electra Glide Standard		83 ▲
	FLSTSB Cross Bones	08-11 ▲	FLHT Electra Glide Classic		83 ▲
	FLSTSC Springer Classic	06-07 ▲	FLHT Electra Glide		83 ▲
	FLTR Road Glide	06-09 ▲	FLHTC Touring Electra Glide Classic	83-84 ▲	
	FLTRX Road Glide Custom	10-11 ▲	FLT Touring Tour Glide	81-83 ▲	
	FXCW Rocker	08-09 ▲	FLT Classic Tour Glide Classic	81-83 ▲	
	FXCWC Rocker C	08-11 ▲	FLT Tour Glide	81-83 ▲	
	FXD Dyna Super Glide	07-10 ▲	FLTC Touring Tour Glide Classic	80-84 ▲	
	FXD35 Dyna 35th Anniversary Super Glide	06 ▲	FXB Super Glide B80	81-82 ▲	
	FXDB Dyna Street Bob	07-17 ▲	FXDG Dyna Glide Glide Custom	83 ▲	
	FXDBC Dyna Street Bob Limited	16 ▲	FXE FX Super Glide	81-84 ▲	
	FXDC Dyna Super Glide Custom	07-14 ▲	FXEF FX Super Glide Fat Bob	81 ▲	
	FXDC ANV Dyna Super Glide Custom ANV	13 ▲	FXS FX Super Glide	81-82 ▲	
	FXDCI Dyna Super Glide Custom	06 ▲	FXSB FX Low Rider	83-84 ▲	
	FXDF Dyna Fat Bob	08-17 ▲	FXST Softail Standard	84 ▲	
	FXDI Dyna Super Glide	06 ▲	FXWG FX Wide Glide	81-84 ▲	
	FXDL Dyna Low Rider	06-17 ▲			
	FXDWG Dyna Wide Glide	06-16 ▲	SRC7019 ▲=CT701SP	HARLEY DAVIDSON®	
	FXDWG ANV Dyna Wide Glide 105th Anniv.	08 ▲		FLST Softail Heritage	90 ▲
	FXSB Softail Breakout	13-15 ▲		FLSTC Heritage Softail Classic	90-97 ▲
	FXST Softail Standard	07-11 ▲		FLSTF Fat Boy	91-97 ▲
	FXSTB Night Train	06-09 ▲		FLSTF Softail Fat Boy	90 ▲
	FXSTC Softail Custom	07-10 ▲		FLSTN Heritage Softail Nostalgia	93-96 ▲
	FXSTD Softail Deuce	06-07 ▲		FLSTS Heritage Springer	97 ▲
	FXSTS Springer Softail	06 ▲		FXD Dyna Super Glide	95-97 ▲
				FXDB Dyna Daytona	92 ▲
				FXDB Dyna Sturgis	91 ▲
			FXDC Super Glide Custom	92 ▲	
		FXDL Dyna Low Rider	93-97 ▲		
		FXDS-CONV Dyna Glide Convertible	93 ▲		
		FXDWG Dyna Wide Glide	93-97 ▲		
		FXST Softail Standard	90 ▲		
		FXSTC Softail Custom	90-97 ▲		
		FXSTS Springer Softail	90-97 ▲		
SRC7014 ▲=CT701SP	HARLEY DAVIDSON®		SRC7020 ▲=CT701SP	HARLEY DAVIDSON®	
	FLHR Road King	93-97 ▲		XL1200 Forty Eight Anniversary	18 ▲
	FLHS Electra Glide Sport	91-94 ▲		XL1200C Sportster 1200 Custom	04-20 ▲
	FLHT Electra Glide Standard	94-97 ▲		XL1200C Sportster 1200 Custom ANV	13 ▲
	FLHTC Electra Glide Classic	91-97 ▲		XL1200CA Sportster 1200 Custom Limited A	13-16 ▲
FLHTCU Ultra Classic	91-97 ▲	XL1200CB 1200 Custom Limited B	17 ▲		
FLTC Tour Glide Classic	91-96 ▲	XL1200CB Sportster 1200 Custom Limited A	13-16 ▲		
			XL1200CP Sportster 1200 Custom H-D1	11-16 ▲	
SRC7015 ▲=CT701SP	HARLEY DAVIDSON®			XL1200CX 1200 Roadster	16-20 ▲
	FLHS Touring Electra Glide Sport	90 ▲		XL1200L Sportster 1200 Low	06-11 ▲
	FLHTC Touring Electra Glide Classic	90 ▲		XL1200N Nightster	07-12 ▲
	FLHTCU Touring Electra Glide Classic Ultra	90 ▲		XL1200R Sportster 1200 Roadster	04-09 ▲
	FLTC Touring Tour Glide Classic	90 ▲		XL1200T SuperLow 1200T	14-20 ▲
FLTCU Touring Tour Glide Classic Ultra	90 ▲		XL1200V Seventy-Two	12-16 ▲	
			XL1200X Forty Eight	10-20 ▲	
			XL50 50th ANV Sportster	07 ▲	
SRC7016 ▲=CT705SP	HARLEY DAVIDSON®		SRC7021 ▲=CT701SP	HARLEY DAVIDSON®	
	FLH Touring Electra Glide	84 ▲		XL883 Sportster 883	04-09 ▲
	FLH Touring Electra Glide Shrine Shovelhead	84 ▲		XL883C Sportster 883 Custom	04-10 ▲
	FLHS Touring Electra Glide Sport	84-89 ▲		XL883L Sportster XL883 Low	05-11 ▲
	FLHT Touring Electra Glide Standard	88 ▲		XL883L SuperLow	14-16 ▲
	FLHT Electra Glide Classic	84 ▲		XL883L SuperLow	12-20 ▲
	FLHT Electra Glide	84 ▲			
	FLHTC Touring Electra Glide Classic	84-89 ▲			
	FLHTCU Touring Electra Glide Classic Ultra	89 ▲			
	FLST Softail Heritage	86-89 ▲			
	FLSTC Softail Heritage Classic	87-89 ▲			
	FLT Classic Tour Glide Classic	84 ▲			
	FLT Tour Glide	84 ▲			
	FLTC Touring Tour Glide Classic	84-89 ▲			
FLTCU Touring Tour Glide Classic Ultra	89 ▲				
FXE FX Super Glide	84 ▲				
FXEF FX Super Glide Fat Bob	85 ▲				

PART NO.	MAKE/MODEL	YEAR			
SRC7021 ▲=CT701SP Contd.	XL883N Iron 883	09-20 ▲			
	XL883R 883 Roadster	11-15 ▲			
	XL883R Sportster 883R	07-10 ▲			
SRC7022 ▲=CT701SP	HARLEY DAVIDSON® XR1200 Sportster 1200	08-10 ▲			
	XR1200X XR1200X	10-13 ▲			
SRC7023 ▲=CT701SP	HARLEY DAVIDSON® XL1200 Sportster 1200	91-03 ▲			
	XL1200C Sportster 1200 Custom	96-03 ▲			
	XL1200S Sportster 1200 Sport	96-03 ▲			
	XL883 Sportster 883	91-03 ▲			
	XL883C Sportster 883 Custom	98-03 ▲			
	XL883DLX Sportster 883 Deluxe	91-95 ▲			
	XL883HUG Sportster 883 Hugger	91-03 ▲			
	XL883R Sportster 883R	02-06 ▲			
SRC7024 ▲=CT701SP	HARLEY DAVIDSON® XL1200 Sportster 1200	88-90 ▲			
	XL883 Sportster 883	86-90 ▲			
	XL883 Sportster 883 Deluxe	86-90 ▲			
	XL883HUG Sportster 883 Hugger	87-90 ▲			
	XLH 1100 Sportster 1100	86-87 ▲			
	XLH Sportster 1000	84-85 ▲			
	XLS Sportster Roadster 1000	84 ▲			
	XR-1000 Sportster	84 ▲			
SRC7025 ▲=CT701SP	HARLEY DAVIDSON® XLCH-1000 Sportster 1000	71-84 ▲			
	XLH-1000 Sportster 1000	79-80 ▲			
	XLH-1000 Sportster Standard	71-78 ▲			
	XLS 1000 Sportster Roadster	81-84 ▲			
	XR 1000 Sportster	83-84 ▲			

SRK CLUTCH KITS BUYERS GUIDE

PART NO.	MAKE/MODEL	YEAR	PART NO.	MAKE/MODEL	YEAR
SRK002	HONDA VF 750 FD/FE	83-85	SRK019	HONDA CB 600 F Hornet CBR 600 F CBF 600 N CBF 600 S	98-06 ● 91-98 ● 04-06 ● 04-06 ●
SRK003 ▲=CT014	HONDA VFR 750 F	86-97 ▲	SRK020	KAWASAKI ZL 900 A1/A2 Eliminator Z 1000 E1/E2 ST-Shaft GPz 1000 RX A1-A3 1000 GTR ZG 1000 A1-A18 ZL 1000 A1 GPz 1100 A1-A3 Z 1100 A1-A3 Z 1100 D1/D2 Spectre Z 1100 R1 ZR 1100 A1/A2/A3/A4/B1 ZR 1100 ZX 1100 C1/C2/C3/C4	85-86 ▲ 79-80 ▲ 86-88 ▲ 86-03 ▲ 87 ▲ 82-85 ▲ 81-83 ▲ 82-83 ▲ 84 ▲ 92-97 ▲ 97-00 ▲
SRK004 ■=CT009	HONDA CB 1000 F CBR 1000 F	93-97 ■ 87-99 ■	SRK021	KAWASAKI ZXR 400 ZX 400 L1-L5/L8/L9	91-02 ▲
SRK005 ▲=CT014	HONDA VFR 750 RJ/RK/RL RC30	88-92 ▲	SRK022	KAWASAKI ZL 400 A Eliminator ZL 400 B Eliminator ZZ-R 600 650 Vulcan S	86-87 ▲ 88 ▲ 90-92 ▲ 15-16 ▲
SRK006 ▲=CT010	YAMAHA FZR 400 RR 4DX FZR 400 Genesis 1WG FZR 400 3EN1/3EN2 FZR 400 RR 3TJI	92 ▲ 86 ▲ 88-89 ▲ ▲	SRK024	KAWASAKI ZXR 750 J1/J2/L1-L3/P1-P7 ZXR 750 R ZX 750 K1/K2/M1/M2	91-03 ▲ 91-94 ▲
SRK007 ▲=CT010	YAMAHA FZR 400 RSP 2TK-EXUP FZR 400 RRSF 3TJ2/6/7 FZR 600	87 ▲ ▲ 89-93 ▲	SRK025	KAWASAKI ZZ-R 1100 C1/C2/C2A/C3/D1-D9 ZX 1100 E1/E2/F1 ZZR 1200 C1H/C2H	90-01 ▲ 95-98 ▲ 02-04 ▲
SRK008 ■=CT008SP	YAMAHA FZR 750 FZR 1000	87 ■ 87-88 ■	SRK029	YAMAHA FZR 1000 GTS 1000 YZF 1000 Thunder Ace	93-95 ■ 93-96 ■ 96-02 ■
SRK009 ■=CT008SP	YAMAHA FZR 750 R OW01 YZF 750 R/SP TDM 850 TRX 850	89-90 ■ 93-97 ■ 96-98 ■ 96-98 ■	SRK031	YAMAHA FZR 1000	89-92 ■
SRK010 ▲=CT055SP	SUZUKI GSX 1100 GM/GN GSXR 1100 K/L/M/N	91-94 ▲ 89-92 ▲	SRK033	YAMAHA YZF 600 Thunder Cat	96-03 ▲
SRK011 ▲=CT016	KAWASAKI Z 400 ZR 400 ZX 400 EN 450 Ltd EN 500 ER-5 ER GPZ 500 S EX GPZ 500 S EX GPZ 500 S EX Z 500 GT 550 GPz 550 ZR 550 Z 550 Ltd KLR 600 KLR 600 GPz 600 R	80-83 ▲ 83-84 ▲ 85 ▲ 86-89 ▲ 90-04 ▲ 97-07 ▲ 87-02 ▲ 88-93 ▲ 94-04 ▲ 79-81 ▲ 83-01 ▲ 81-87 ▲ 83-84 ▲ 80-81 ▲ 84 ▲ 85-94 ▲ 85-89 ▲	SRK034	YAMAHA FZR 250 FZR 250 R 3LN1/3/5/6/7 FZX 250 Zeal 3YX1/2/4	87 ▲ ▲ 91-92 ▲
SRK013 ▲=CT029	SUZUKI GSX 600 FJ/FK/FL/FM GSXR 750 F/G/H GR75A	88-91 ▲ 85-87 ▲	SRK038	KAWASAKI ZX-6R ZX 600 J1/J2 ZX6R ZX636A1P 636cc ZX6R ZX 636 B1/B2	00-01 ▲ 02 ▲ 03-04 ▲
SRK014	SUZUKI GSXR 750 J/K	88-89	SRK039	SUZUKI RF 900 RR GSXR 1100 WP/WR/WS/WT	94 ▲ 93-96 ▲
SRK015 ▲=CT048SP	SUZUKI GSX R 1100 G/H/J	86-88 ▲	SRK040	SUZUKI GSXR 750 GS 1200 GV78A GSF 1200 Bandit GSF 1200 Bandit GSF 1200 S Faired Bandit GSF 1200 Bandit GSF 1200 S Faired Bandit GSX 1200 FS Inazuma GSF 1200 Bandit GSF 1200 S Faired Bandit	96-99 ▲ 01 ▲ 97 ▲ 01-05 ▲ 01-05 ▲ 96-00 ▲ 96-00 ▲ 98-99 ▲ 06 ▲ 06 ▲
SRK016 ■=CT009SP	HONDA CBR 500 FH/FJ/FK/FL CBR 600 FH/FJ	87-90 ■ 87-88 ■			
SRK017	SUZUKI GSX 600 F GSXR 750	92-97 90-92			

PART NO.	MAKE/MODEL	YEAR	PART NO.	MAKE/MODEL	YEAR
SRK041 ▲=CT016	KAWASAKI ZX7 RR ZX 750 N1/N2 ZX-9R ZX 900 B1-B4	96-99 ▲ 94-97 ▲	SRK053 Contd.	GPZ 900 R ZX 900 A11 GPZ 900 R ZX 900 A12-15	98 ▲ 99-02 ▲
SRK042 ■=CT009SP	HONDA CBR 600 FK/FL	89-90 ■	SRK054 ▲=CT016	KAWASAKI Z 1000 R Lawson Replica Z 1000 Z 1000 LTD GPZ 1100	82-83 ▲ 81-83 ▲ 81-82 ▲ 81-82 ▲
SRK043 ▲=CT016	KAWASAKI ZZR 600 ZX 600 E1-E13 ZZR 600 ZX 600 E6F	93-05 ▲ 06-07 ▲	SRK055 ▲=CT014	HONDA CBR 900 RRT/RRV	96-97 ▲
SRK044 ▲=CT016	KAWASAKI ZR 400 Zephyr G2/G3/G3A/G4/G5 ZL 600 B1 ZR 550 B2-B6 Zephyr GPX 600 R C1-C3/C6/C7	97-01 ▲ 95-97 ▲ 91-99 88-96	SRK056 ▲=CT017	YAMAHA YZF R1 4XV1/2	98 ▲
SRK045	SUZUKI RF 600 RP/RR/RS/RT	93-96	SRK057 ▲=CT014	HONDA CBR 600 FS1/FS2 Sport CBR 600 FB/FAB/FC/FAC CB 900 F2/F3/F4/F5/F6/F7 Hornet CBR 900 RRW/RRX 918cc	01-02 ▲ 11-12 ▲ 02-07 ▲ 98-99 ▲
SRK046 ▲=CT016	KAWASAKI W 650 EJ GPX 750 VN 750 Z 750 D1 Z 750 B1/B2 W 800 EJ W 800 EJ Cafe style W 800 EJ Special Edition W 800 EJ W 800 EJ Special Edition VN 800 W 800 Special Edition VN 900 Classic VN 900 Custom VN 900 Classic VN 900 Classic Special Edition	99-05 ▲ 87-89 ▲ 86-94 ▲ 76 ▲ 77-78 ▲ 11-12 ▲ 11 ▲ 12 ▲ 13-16 ▲ 13-16 ▲ 95-06 ▲ 14 ▲ 06 ▲ 07-15 ▲ 07-15 ▲ 11-15 ▲	SRK058 ▲=CT014	SUZUKI GSXR 600 X/Y	99-00 ▲
SRK047 ■=CT012SP	HONDA CB 250 F Hornet MC31 CBR 250 MC14/17/19 CBR 250 RR MC22 VT 250 C Magna MC29 VTZ 250 VTR 250 MC33	96-01 ■ 86-89 ■ 90-94 ■ 95-97 ■ 86-88 ■ 98-07 ■	SRK059 ▲=CT004	KAWASAKI ZX9R ZX 900 C1/C2	98-99 ▲
SRK048 ■=CT009SP	HONDA CBX 550 FC/F2C/FD/F2D	82-85 ■	SRK060	HONDA VTR 1000 FV/FW/FX/FY/F1-F6 Firestorm	97-06
SRK049 ■=CT013SP	HONDA CBR 400 RRL/RRN/RRR NC29	90-94 ■	SRK061 ■=CT013SP	HONDA NT 400 Bros NC 25 NV 400 CJ/CK Steed NV 400 CS/CV Steed NV 400 DCY/DC1/DC2 NC40 Shadow Slasher	92-93 ■ 95-97 ■ 00-02 ■
SRK050 ▲=CT024SP	SUZUKI GS 1000 GT/GX GSX 1000 SZ GS 1100 GZ GSX 1100 ET/EX/EZ GSX 1100 SZ GSX 1100 EFE/EFG/ESF	80-81 ▲ 82 ▲ 82 ▲ 80-82 ▲ 82 ▲ 84-86 ▲	SRK062 ■=CT013SP	HONDA NTV 650 NT 650 Deauville NC 700 S NC 700 X NT 700 Deauville NC 750 S NC 750 S ABS NC 750 X NC 750 X ABS	88-97 ■ 98-05 ■ 12-13 ■ 12-17 ■ 06-12 ■ 14-15 ■ 14-18 ■ 14-15 ■ 14-19 ■
SRK051 ■=CT008SP	YAMAHA YZF 600 R R6 8 plate FZ6 IB3/IB3D FZ6-NS IB35/6 FZ6-Fazer Half Fairing 5VX/5VXL FZ6-Fazer Half Fairing FZ6 Fazer S2 Half Fairing FZ6 Fazer S2 Half Fairing FZ6 S2 5S51/5S5 FZX 700 Fazer FZ 750	99-02 ■ 04-07 ■ 05-06 ■ 04-07 ■ 06-07 ■ 08 ■ 07-09 ■ 07-09 ■ 86-87 ■ 85-86 ■	SRK063 ▲=CT002	HONDA VFR 400 R NC30	89-92 ▲
SRK053 ▲=CT016	KAWASAKI VN 700 A1 Vulcan Z 750 Y1 Ltd VN 800 C1/C2/E1/E2/E3 Drifter GPz 900 R A1-A8	85 ▲ 82 ▲ 99-04 ▲ 84-96 ▲	SRK064 ■=CT013SP	HONDA NT 650 BROS VT 750 C VT 750 S XRV 650 Africa Twin	88-92 ■ 97-09 ■ 10-12 ■ 88-89 ■
			SRK065	YAMAHA YZF R1 4XV7/8 5JJ1/8 5PW1/7	99-03
			SRK066 ▲=CT014	HONDA CBR 600 FX/FY CARB MODEL	99-00 ▲
			SRK067 ▲=CT021	SUZUKI GSX 1300 RX	99 ▲
			SRK068 ▲=CT009	SUZUKI TL 1000 RW/RX/RV TL 1000 SX/SY	98-00 ▲ 99-00 ▲

PART NO.	MAKE/MODEL	YEAR	PART NO.	MAKE/MODEL	YEAR
SRK070 ▲=CT056SP	HONDA ST 1100 Pan European ST 1100 Pan European ST 1100 Pan European	92-95 ▲ 96-02 ▲ 90-02 ▲	SRK084 ▲=CT004	KAWASAKI ZX-6R ZX 636 C1/C6F ZX-6RR ZX 600 N1/N6F	05-06 ▲ 05-06 ▲
SRK071 ▲=CT014	SUZUKI GSXR 750 Y	00 ▲	SRK085 ▲=CT015	SUZUKI GSXR 1000 GSX-S 1000 GSX-S 1000 F Faired Katana	05-08 ▲ 18-20 ▲ 18-20 ▲ 19-20 ▲
SRK072 ▲=CT008	YAMAHA XT 550 SRX 600 SRX 600 1JK/3SX	83 ▲ 86-87 ▲ 85-91 ▲	SRK086 ▲=CT015	SUZUKI GSXR 600 K6/K7	06-07 ▲
SRK074 ■=CT008SP	YAMAHA YZF-R6 8 plate	03-05 ■	SRK087 ▲=CT008SP	YAMAHA YZF R6 9 plate	06-18 ■
SRK075 ▲=CT014	HONDA CB 600 F Hornet CBF 600 N CBF 600 S CBR 600 RR CBR 600 RR Hannspree CBR 600 RA CBR 600 F VFR 800 XA Crossrunner/ABS VFR 800 XA Crossrunner/ABS VFR 800 F	07-13 ▲ 08-11 ▲ 08-12 ▲ 03-19 ▲ 08 ▲ 09-19 ▲ 11-13 ▲ 11-13 ▲ 15-16 ▲ 14-16 ▲	SRK088 ▲=CT015	SUZUKI GSXR 750 K6/K7	06-07 ▲
SRK076 ▲=CT004	KAWASAKI ZX6RR ZX 600 K1	03 ▲	SRK089 ▲=CT004	SUZUKI GSXR 1000 K1/K2/K3/K4 ZX9R ZX 900 E1/E2/F1/F2 Z 1000 ZR 1000 A1/A2/A3/A6F	01-04 ▲ 00-03 ▲ 03-06 ▲
SRK077 ▲=CT020	YAMAHA FZ1 1000cc 2D11 FZ-1 Fazer 1000cc 3C3 FZ-1 Fazer Half Fairing 5D0 FZ1 N/NA YZF R1	06-09 ▲ 06-15 ▲ 08-15 ▲ 10-15 ▲ 04-06 ▲	SRK093 ▲=CT020	YAMAHA YZF R1SP YZF R1	06 ▲ 07-08 ▲
SRK078 ▲=CT014	SUZUKI GSXR 600 K4/K5	04-05 ▲	SRK094 ▲=CT014	HONDA CBR 900 RRN/RRP/RRR/RRS	92-95 ▲
SRK079 ▲=CT004	KAWASAKI ZX 10R ZX 1000 C1/C2 ZX-10RR ZX-10RR Performance	04-05 ▲ 17-19 ▲ 17-19 ▲	SRK095 ▲=CT043SP	HONDA CBR 1000 RR Fireblade CBR 1000 RR-SP ABS Fireblade CBR 1000 RR-SP ABS -TT Edition	08-16 ▲ 14-16 ▲ 16 ▲
SRK080 ■=CT009	HONDA CBR 1000 RR Fireblade CB 1000 R CB 1000 RA	04-07 ■ 09-15 ■ 09-16 ■	SRK096 ▲=CT020	YAMAHA YZF R1	09-14 ▲
SRK081 ▲=CT022 ●=CT033SP	SUZUKI SV 400 N VK53A SV 400 SN VK53A SV 400 SV 400 SV 650 SV 650 S Top Fairing	98 ● 98 ● 00-02 ● 00-02 ● 99-02 ▲ 99-02 ▲	SRK097 ▲=CT009	SUZUKI GSXR 1000 K9/L0/L1/L2	09-12 ▲
SRK082 ▲=CT033SP	SUZUKI SV 400 SV 400 DL 650 V-Strom DL 650 V-Strom DL 650 V-Strom Xpedition DL 650 V-Strom DL 650 GT V-Strom Traveller ABS DL 650 XT V-Strom SFV 650 SV 650 SV 650 SV 650 S Top Fairing SV 650 ABS	03-05 ▲ 03-05 ▲ 04-06 ▲ 07-11 ▲ 11 ▲ 12-14 ▲ 09-11 ▲ 15-20 ▲ 09-15 ▲ 03-10 ▲ 07-10 ▲ 07-15 ▲ 16-20 ▲	SRK098 ▲=CT021	KTM RC8 1190cc RC8 R Track 1190cc	08-10 ▲ 10-12 ▲
SRK083 ▲=CT004	KAWASAKI ZX6RR ZX 600 M1	04 ▲	SRK099	YAMAHA XP 500 T-Max Scooter - All models	01-11
			SRK100 ▲=CT014	HONDA CBR 900 RRY/RR1 929cc Fireblade CBR 900 RR2/RR3 954cc Fireblade	00-01 ▲ 02-03 ▲
			SRK101 ▲=CT004	KAWASAKI ZX6R 599cc	07-16 ▲
			SRK102 ▲=CT016	KAWASAKI ER-6f EX ER-6n ER ER-6f ABS ER-6n KLE 650 Versys ABS	06-08 ▲ 06-08 ▲ 12-16 ▲ 12-16 ▲ 07-13 ▲
			SRK103 ▲=CT009	HONDA VFR 1200 FA	10-15 ▲
			SRK104 ▲=CT036SP	SUZUKI GSXR 750 WP/WR/WS	93-95
			SRK106 ▲=CT014	SUZUKI GSXR 600 V/W	97-98 ▲

PART NO.	MAKE/MODEL	YEAR	PART NO.	MAKE/MODEL	YEAR
SRK107 ▲=CT004	KAWASAKI ZX-6RR ZX 600 N1/N6F	05-06 ▲	SRK128 ■=CT080	YAMAHA YZF-R3 321cc/ABS MT-03 ABS	15-20 ■ 12-20 ■
SRK108 ▲=CT004	KAWASAKI ZX-6R ZX 600 F1/F2/F3 ZX-6R ZX 600 G1/G2	95-97 ▲ 98-99 ▲	SRK129 ■=CT079SP	YAMAHA YZF- R1 YZF- R1 M YZF- R1 60th Anniversary Edition MT-10 998cc	15-23 ■ 15-23 ■ 16 ■ 16 ■
SRK109 ▲=CT015	SUZUKI GSXR 600 K8/K9/L0 GSXR 750 K8/K9/L0	08-10 ▲ 08-10 ▲	SRK130 ▲=CT085	BMW F650 GS Late type plates 2 x 13mm/7 x 14mm ears F700 GS Late type plates 2 x 13mm/7 x 14mm ears F800 GS Late type plates 2 x 13mm/7 x 14mm ears F800 GS Adventure Late type plates 2 x 13mm/7 x 14mm ears F800 GT Late type plates 2 x 13mm/7 x 14mm ears F800 S Late type plates 2 x 13mm/7 x 14mm ears F800 ST Late type plates 2 x 13mm/7 x 14mm ears F800 R Late type plates 2 x 13mm/7 x 14mm ears	07-17 ▲ 11-17 ▲ 12-19 ▲ 12-19 ▲ 07-19 ▲ 07-19 ▲ 07-19 ▲ 07-19 ▲
SRK110 ▲=CT015	SUZUKI GSXR 600 GSX-R 750 GSX-S 750	11-23 ▲ 11-23 ▲ 15-20 ▲	SRK131 ▲=CT017	YAMAHA XT 1200 Z Super Tenere XT 1200 ZE Super Tenere FJR 1300 N/P FJR 1300 FJR 1300 A FJR 1300 AE Electronic Suspension XVS 1300 A Midnight Star XVS 1300 CU Custom	10-16 ▲ 14-16 ▲ 01-02 ▲ 03-05 ▲ 06-15 ▲ 14-15 ▲ 07-16 ▲ 14-16 ▲
SRK111 ▲=CT014	SUZUKI GSXR 750 K1/K2/K3	01-03 ▲	SRK133 ▲=CT009	SUZUKI GSX 1400 K2/K3/K4/K5/K6/K7	02-07 ▲
SRK112 ▲=CT014	SUZUKI GSXR 600 K1/K2/K3/ZK3	01-03 ▲	SRK138 ▲=CT072SP	SUZUKI GSXR 750 RG Dry Clutch Sintered Friction	86 ▲
SRK113	APRILIA RSV4 Factory SBK Racing RSV4 Factory APRC RSV4R RSV4R APRC	09-10 11-12 10 11-12	SRK139	KTM 390 Duke RC 390	13-14 14-15
SRK115 ▲=CT035SP	SUZUKI GS 1000 HC/EC/EN/SN/ET	78-80 ▲	SRK140	KTM Duke 250 RC 250 Duke 390 RC 390	15-18 15-18 15-17 16-17
SRK117	APRILIA ETV 1000 Caponord/Rally PS00/PSB0 ETV Caponord PS004	01-03 04-08	SRK141 ▲=CT014SP	BENELLI Leoncino 500 Leoncino Trail 500 TRK 502 ABS Euro 4 TRK 502 X BN 600 GT BN 600 i BN 600 R BN 600 S	17-19 ▲ 18-19 ▲ 17-18 ▲ 18-19 ▲ 14-17 ■ 14-17 ■ 14-15 ■ 14-15 ■
SRK118 ▲=CT009	KAWASAKI EX300 Ninja 300 EX300 Ninja 300 Special Edition Versys-X 300 Z 300 ABS ER 300 BFF	13-16 ▲ 13-16 ▲ 17-20 ▲ 15-16 ▲	SRK142 ▲=CT009	SUZUKI GSXR 1000 AL7	17-20 ▲
SRK119 ▲=CT012SP	HONDA CBR 125 R	07-16 ▲	SRK143 ▲=CT014	SUZUKI CBR 600 F CBR 600 FR Fuel Injected Rossi rep CBR 600 FS Fuel Injected	01-06 01-02 ▲ 01-02
SRK121 ▲=CT014	SUZUKI GSXR 750 K4/K5	04-05 ▲	SRK144 ▲=CT085	BMW F800 GS Early type plates 14mm ears F800 GT Early type plates 14mm ears F800 S Early type plates 14mm ears F800 ST Early type plates 14mm ears	08-11 ▲ 04-06 ▲ 04-06 ▲ 04-06 ▲
SRK122 ▲=CT083SP	HONDA Monkey 125 MSX 125 Grom MSX 125 A Grom ABS	19-20 ▲ 13-20 ▲ 17-20 ▲			
SRK124 ▲=CT020	YAMAHA MT-09 1RC MT-09 Tracer MT-09A 2DR MT-09A Sport Tracker MT-09A Street Rally	14-16 ▲ 15-20 ▲ 14-20 ▲ 14-20 ▲ 14-20 ▲			
SRK125 ▲=CT020	YAMAHA MT-07A MT-07 Motocage XSR 700 MTM 690-U	14-20 ▲ 15 ▲ 16 ▲			
SRK126 ▲=CT020	YAMAHA FZ8 N-800cc Fazer 8 S-800cc Top Fairing	11-15 ▲ 11-15 ▲			
SRK127 ■=CT008SP	YAMAHA XJ6-N 600 XJ6-F Diversion 600cc Full Fairing Diversion 1CW XJ6-S Diversion 600 Top Fairing Diversion 36C XJ6-SP Diversion 600	09-15 ■ 10-15 ■ 09-15 ■ 13 ■			

PART NO.	MAKE/MODEL	YEAR	PART NO.	MAKE/MODEL	YEAR
SRK145 ▲=CT083	BMW G 650 GS R13 G 650 GS Sertao R13 G 650 XCountry K15	08-16 ▲		R 1250 GS Adventure/ Adventure TE	19-20
		10-14 ▲		R 1250 GS Adventure Rallye/Rallye TE	19-20
		08-10 ▲			
SRK146 ▲=CT086SP	TRIUMPH Bonneville T120 1200cc LC Bonneville T120 Black 1200cc LC Bonneville Bobber 1200cc LC Bonneville Bobber Black 1200cc LC Thruxton 1200 LC Thruxton R 1200 LC	16-18 ▲	SRK166 CT014	TRIUMPH Tiger 800 Tiger 800 XC Tiger 800 XR	11-12
		16-18 ▲			11-12
		17-20 ▲			18-
		18-20 ▲			
		16-20 ▲			
SRK147 ▲=CT086SP	TRIUMPH Bonneville T100 900cc Bonneville T100 Black 900cc Street Cup 900cc Street Scrambler 900cc Street Twin 900cc	16-18 ▲	SRK167	KAWASAKI Ninja 400 Z 400	17-21
		16-18 ▲			17-21
		16-20 ▲			
		16-20 ▲			
		16-18 ▲			
SRK148 ▲=CT011	SUZUKI GSX-R 125 GSX-S 125 GSX 150 L6/DZAL6 Gixxer GSX-R 150 RF-Q/RFX-Q GSX-R 150 GSX-S 150	18-23 ▲	SRK170	BMW F 750 GS F 850 GS F 850 GS Adventure	16-21
		18-23 ▲			16-21
		16			16-21
		17-18 ▲			16-21
		18-20 ▲			16-21
		18-20 ▲			16-21
SRK149 ▲=CT014	HONDA CB 650 FA CBR 650 FA	14-20 ▲	SRK168	KTM 1050 Adventure 1090 Adventure 1090 Adventure L 1090 Adventure R 1090 Adventure S 1190 Adventure 1190 Adventure R 1290 Super Adventure 1290 Super Adventure R 1290 Super Adventure S 1290 Super Adventure T	15-16
		14-20 ▲			17-18
SRK150	KAWASAKI Z 750 ZR Z 750 R Black Edition ZR Z 750 R ZR Z 800 Z 800 E	09-10	SRK169	SUZUKI GSX-S 750	15-16
		12			17-18
		11-12			19
		13-16			17-19
		13-16			19
SRK151 ▲=CT013	BMW G 310 GS G 310 R	17-20 ▲	SRK170	BMW F 750 GS F 850 GS F 850 GS Adventure	13-16
		17-20 ▲			16-21
SRK153	KTM Duke 200 RC 200	12-19	SRK7001	INDIAN Octane Scout Scout Sixty	15-16
		14-19			16-17
SRK154	KTM Duke 125 RC 125	11-19	SRK7002	INDIAN Scout Scout 1200 Scout Bobber Scout Sixty	17-20
		14-19			17-20
SRK155	KAWASAKI Ninja 650 EX Z 650 ER	12-23	SRK7003 ▲=CT702SP	HARLEY DAVIDSON® FLHTCUTG Tri Glide Ultra Classic FLRT Freewheeler FLHTK 103 CVO Limited FLHTCUL Ultra Classic Low FLHTCUL TC Ultra Classic Low Twin-Cooled FLHTKL Ultra Limited Low FLSS Softail Slim S FLSTFBS Fat Boy S FLSS Slim S FLSTFBS Fat Boy S	14-16 ▲
		12-23			15-16 ▲
SRK160 ▲=CT008SP	YAMAHA YZF-R6	18-23 ▲	SRK7004	INDIAN Chief Classic Chief Dark Horse Chief Vintage Chieftain Chieftain Dark Horse Chieftain Elite Chieftain Limited Roadmaster Roadmaster Classic Roadmaster Elite Springfield Springfield Dark Horse	14
					15-16 ▲
SRK161	HONDA CB 1100 EX	16-19	SRK7005	HARLEY DAVIDSON® XG500	16
SRK162	YAMAHA XSR 900 ABS	18-20			16-17 ▲
SRK163	KAWASAKI Ninja H2	15-20			17 ▲
SRK164	KAWASAKI Ninja H2R	15-20			17 ▲
SRK165	BMW R 1200 GS R 1200 GS Adventure R 1200 R R 1200 RS R 1250 GS R 1250 GS TE R 1250 GS Rallye R 1250 GS Rallye TE	13-18			
		13-18			
		13-18			
		14-18			
		19-20			
		19-20			

PART NO.	MAKE/MODEL	YEAR	PART NO.	MAKE/MODEL	YEAR
SRK7006 ▲=CT706SP	HARLEY DAVIDSON®			FLTRX Road Glide	15-16 ▲
	VRSCAW 1FH V-Rod Wide Tire	08 ▲		FLTRXS Road Glide Special	15-16 ▲
	VRSCAWA W/ABS	08 ▲		FXD Dyna Super Glide	98-03 ▲
	VRSCD Night Rod	08 ▲		FXDL Dyna Low Rider	98-03 ▲
	VRSCDA Night Rod W/ABS	08 ▲		FXDS-CONV Dyna Glide Convertible	99-00 ▲
	VRSCDXA Night Rod Special W/ABS	08 ▲		FXDWG Dyna Wide Glide	98-05 ▲
	VRSCDX Night Rod Special	08-17 ▲		FXDX Dyna Super Glide Sport	99-03 ▲
	VRSCAW V-Rod	09-10 ▲		FXDXT Dyna Super Glide T-Sport	01-03 ▲
	VRSCF V-Rod Muscle	09-17 ▲		FXST Softail Standard	99-03 ▲
	VRSCDX ANV Night Rod Special Anv	12 ▲		FXSTB Night Train	99-03 ▲
SRK7007 ▲=CT707SP	HARLEY DAVIDSON®			FXSTC Softail Custom	98-99 ▲
	VRSCA V-Rod	02-06 ▲		FXSTD Softail Deuce	00-03 ▲
	VRSCAW V-Rod	07 ▲		FXSTI Softail Standard	01-03 ▲
	VRSCB V-Rod	04-05 ▲		FXSTS Springer Softail	98-03 ▲
	VRSCR Street Rod	06-07 ▲	SRK7012 ▲=CT703SP	HARLEY DAVIDSON®	
	VRSCSE CVO V-Rod	05 ▲		FLD 103 Dyna Switchback	12-16 ▲
	VRSCSE2 CVO V-Rod	06 ▲		FLHR 103 Road King	11-13 ▲
	VRSCX Screamin' Eagle V-Rod	07 ▲		FLHR Road King	04-05 ▲
VRXSE CVO VR Destroyer	06 ▲	FLHR ANV Road King ANV		13	
		FLHRC 103 Road King Classic		11-13 ▲	
		FLHRCI Road King Classic		04-05 ▲	
		FLHRI Road King		04-05 ▲	
SRK7008 ▲=CT708SP	HARLEY DAVIDSON®			FLHRS Road King Custom	04-05 ▲
	FLFBS Fat Boy 114	18		FLHT Electra Glide Standard	04-05 ▲
	FLFBS Fat Boy 114 Anniversary	18-20		FLHTC 103 Electra Glide Classic	11-13 ▲
	FLFBS Fat Boy 114 Anniversary	18		FLHTC Electra Glide Classic	04-05 ▲
	FLHCS Heritage Classic 114	18-20		FLHTCI Ultra Classic	05 ▲
	FLHCS Heritage Classic 114 Anniversary	18		FLHTCU 103 Ultra Classic	11-13 ▲
	FLHP Road King Police	17		FLHTCUI Ultra Classic	04
	FLHTCUTG Tri Glide Ultra	17-20		FLHTI Electra Glide Standard	04-05 ▲
	FLHTCUTG Tri Glide Ultra Anniversary	18		FLHTK Electra Glide Ultra Limited	10-13 ▲
	FLHTP Electra Glide Standard Police	17		FLHTK ANV Electra Glide Ultra Limited ANV	13
	FLRT Freewheeler	17-18		FLHX 103 Street Glide	11-13 ▲
	FXBRS Breakout 114	18-20		FLS 103 Softail Slim	12-15 ▲
	FXBRS Breakout 114 Anniversary	18		FLS Slim	17 ▲
	FXFBS Fat Bob 114	18		FLS Softail Slim	16 ▲
SRK7009 ▲=CT703SP	HARLEY DAVIDSON®			FLSTC 103 Heritage Softail Classic	13-15 ▲
	FLHP Road King Police	11-16 ▲		FLSTC 103 ANV Heritage Softail Classic ANV	13
	FLHPE Road King Police	11 ▲		FLSTC Heritage Softail Classic	04-05 ▲
	FLHTCUTG Tri Glide Ultra Classic	09-13 ▲		FLSTC Heritage Softail Classic	16-17 ▲
	FLHTCUTG ANV Tri Glide Ultra Classic Anv	13 ▲		FLSTCI Shrine Heritage Softail Classic Shrine	05 ▲
	FLHTP Electra Glide Standard Police	11-16 ▲		FLSTF 103 Fat Boy	12-15 ▲
	FLHXXX Street Glide Trike	10-11 ▲		FLSTF Fat Boy	04-05 ▲
	FXDLS Dyna Low Rider S	16-20 ▲		FLSTF Fat Boy	16-17 ▲
				FLSTFB 103 Fat Boy LO	12-17 ▲
				FLSTFB 103 ANV Fat Boy LO ANV	13
SRK7010 ▲=CT702SP	HARLEY DAVIDSON®			FLSTFI Shrine Fat Boy Shrine	05 ▲
	FLHR Road King	17-20 ▲		FLSTN 103 Softail Deluxe	12-15 ▲
	FLHRC Road King Classic	17 ▲		FLSTN Softail Deluxe	05 ▲
	FLHRXS Road King Special	18 ▲		FLSTN Softail Deluxe	16-17 ▲
	FLHTCU Electra Glide Ultra Classic	17-20 ▲		FLSTSC Springer Classic	05-06 ▲
	FLHTK Ultra Limited	17-20 ▲		FLTRI Road Glide	04-05 ▲
	FLHTK Ultra Limited Shrine Edition	18 ▲		FLTRU Road Glide Ultra	11-13 ▲
	FLHTK Ultra Limited Anniversary	18 ▲		FLTRX 103 Road Glide Custom	11-13 ▲
	FLHTKL Ultra Limited Low	17-20 ▲		FXD Dyna Super Glide	04-05 ▲
	FLHX Street Glide	17-20 ▲		FXDB 103 Dyna Street Bob	14-16 ▲
	FLHX Street Glide Anniversary	18 ▲		FXDB 103 Dyna Street Bob 103	17
	FLHXS Street Glide Special	17-20 ▲		FXDBA 103 Dyna Street Bob H-D1	13-15 ▲
	FLHXS Street Glide Special Anniversary	18 ▲		FXDBC 103 Dyna Street Bob Limited	16
	FLTRU Road Glide Ultra	17-20 ▲		FXDC 103 Dyna Super Glide Custom	14
	FLTRX Road Glide	17-20 ▲		FXDC Dyna Super Glide Custom	05
	FLTRXS Road Glide Special	17-20 ▲		FXDF 103 Dyna Fat Bob	12-17 ▲
				FXDI Dyna Super Glide	04-05 ▲
SRK7011 ▲=CT703SP	HARLEY DAVIDSON®			FXDL 103 Dyna Low Rider	14-16 ▲
	FLHR Road King	15-16 ▲		FXDL 103 Low Rider 103	17
	FLHR Road King	98-03 ▲		FXDL Dyna Low Rider	04-05 ▲
	FLHRC Road King Classic	14-16 ▲		FXDWG 103 Dyna Wide Glide	12-16 ▲
	FLHRCI Road King Classic	98-99 ▲		FXDWG 103 Dyna Wide Glide 103	17
	FLHT Electra Glide Standard	98-03 ▲		FXDWGI Dyna Wide Glide	04-05 ▲
	FLHTC Electra Glide Classic	98-03 ▲		FXDX Dyna Super Glide Sport	04-05 ▲
	FLHTCU Ultra Classic	14-16 ▲		FXS 103 Blackline	11-13 ▲
	FLHTCU TC Ultra Classic Twin-Cooled	14-16 ▲		FXSB 103 Softail Breakout	13-16 ▲
	FLHTCUI Ultra Classic	98-03 ▲		FXSB Breakout	17
	FLHTK Ultra Limited	14-16 ▲		FXST 1BHY Softail Standard	04-06 ▲
	FLHX Street Glide	14-16 ▲		FXST Softail Standard	12-15 ▲
	FLHXS Street Glide Special	14-16 ▲		FXSTB Night Train	04-05 ▲
	FLSTC Heritage Softail Classic	98-03 ▲		FXSTD Softail Deuce	04-05 ▲
	FLSTF Fat Boy	98-03 ▲		FXSTS Springer Softail	04-05 ▲
	FLSTS Heritage Springer	98-03 ▲			
	FLTR Road Glide	98-03 ▲			
	FLTRU Road Glide Ultra	15-16 ▲			

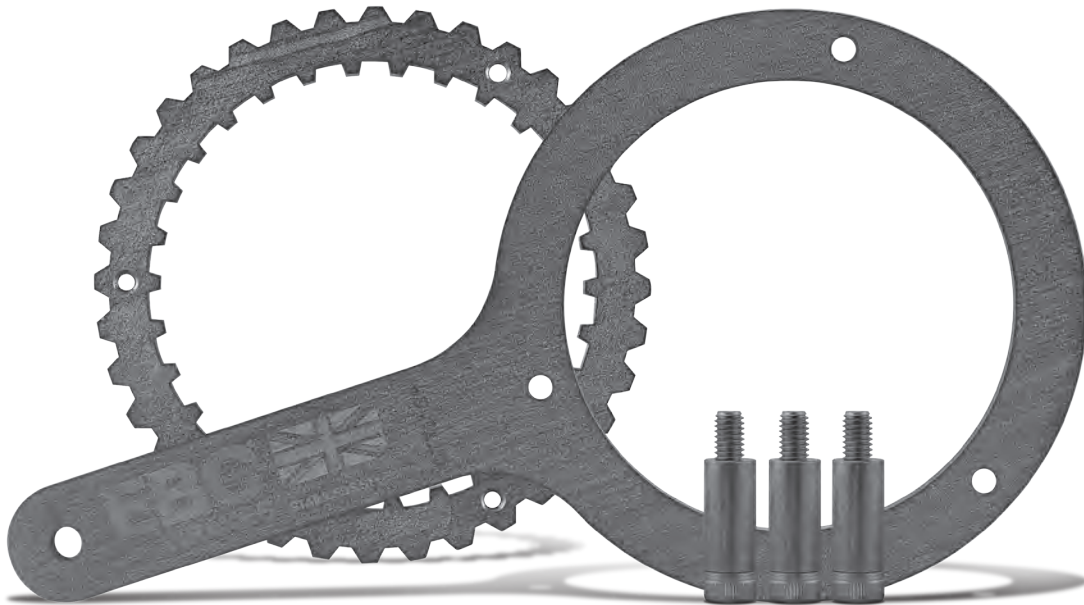
PART NO.	MAKE/MODEL	YEAR	PART NO.	MAKE/MODEL	YEAR	
SRK7013 ▲=CT703SP	HARLEY DAVIDSON® FLD Dyna Switchback	12-16 ▲	SRK7017 ▲=CT704SP	HARLEY DAVIDSON® FLH Touring Electra Glide	EARLY 84 ▲	
	FLHR Road King	06-11 ▲		FLH Touring Electra Glide Shrine Shovelhead	EARLY 84 ▲	
	FLHRC Road King Classic	06-11 ▲		FLHS Touring Electra Glide Sport	EARLY 84 ▲	
	FLHRS Road King Custom	06-07 ▲		FLHT Electra Glide	EARLY 84 ▲	
	FLHT Electra Glide Standard	06-10 ▲		FLHT Electra Glide Classic	EARLY 84 ▲	
	FLHTC Electra Glide Classic	06-11 ▲		FLT Classic Tour Glide Classic	EARLY 84 ▲	
	FLHTCU Ultra Classic	06-11 ▲		FLT Tour Glide	EARLY 84 ▲	
	FLHX Street Glide	06-11 ▲				
	FLS Softail Slim	12-15 ▲		SRK7018 ▲=CT704SP	HARLEY DAVIDSON® FLH Touring Electra Glide Shrine Shovelhead	83 ▲
	FLST Heritage Softail	06-09 ▲			FLH Electra Glide	81-83 ▲
	FLSTC 103 Heritage Softail Classic	06-15 ▲			FLHC Touring Electra Glide Classic	81-82 ▲
	FLSTC ANV Heritage Softail Classic ANV	13 ▲			FLHC Electra Glide Classic	81 ▲
	FLSTF Fat Boy	06-15 ▲			FLHS Touring Electra Glide Sport	81-83 ▲
	FLSTFB Fat Boy LO	10-15 ▲			FLHS Heritage, Electra Glide	81 ▲
	FLSTFB ANV Fat Boy LO ANV	13 ▲			FLHT Touring Electra Glide Standard	83 ▲
	FLSTN Softail Deluxe	06-15 ▲	FLHT Electra Glide Classic		83 ▲	
	FLSTSB Cross Bones	08-11 ▲	FLHT Electra Glide		83 ▲	
	FLSTSC Springer Classic	06-07 ▲	FLHTC Touring Electra Glide Classic		83-84 ▲	
	FLTR Road Glide	06-09 ▲	FLT Touring Tour Glide		81-83 ▲	
	FLTRX Road Glide Custom	10-11 ▲	FLT Classic Tour Glide Classic		81-83 ▲	
	FXCW Rocker	08-09 ▲	FLT Tour Glide		81-83 ▲	
	FXCWC Rocker C	08-11 ▲	FLTC Touring Tour Glide Classic		80-84 ▲	
	FXD Dyna Super Glide	07-10 ▲	FXB Super Glide B80		81-82 ▲	
	FXD35 Dyna 35th Anniversary Super Glide	06 ▲	FXDG Dyna Glide Glide Custom		83 ▲	
	FXDB Dyna Street Bob	07-17 ▲	FXE FX Super Glide	81-84 ▲		
	FXDBC Dyna Street Bob Limited	16 ▲	FXEF FX Super Glide Fat Bob	81 ▲		
	FXDC Dyna Super Glide Custom	07-14 ▲	FXS FX Super Glide	81-82 ▲		
	FXDC ANV Dyna Super Glide Custom ANV	13 ▲	FXSB FX Low Rider	83-84 ▲		
	FXDCI Dyna Super Glide Custom	06 ▲	FXST Softail Standard	84 ▲		
	FXDF Dyna Fat Bob	08-17 ▲	FXWG FX Wide Glide	81-84 ▲		
	FXDI Dyna Super Glide	06 ▲				
FXDL Dyna Low Rider	06-17 ▲	SRK7019 ▲=CT701SP	HARLEY DAVIDSON® FLST Softail Heritage	90 ▲		
FXDWG Dyna Wide Glide	06-16 ▲		FLSTC Heritage Softail Classic	90-97 ▲		
FXDWG ANV Dyna Wide Glide 105th Anniversary	08 ▲		FLSTF Fat Boy	91-97 ▲		
FXSB Softail Breakout	13-15 ▲		FLSTF Softail Fat Boy	90 ▲		
FXST Softail Standard	07-11 ▲		FLSTN Heritage Softail Nostalgia	93-96 ▲		
FXSTB Night Train	06-09 ▲		FLSTS Heritage Springer	97 ▲		
FXSTC Softail Custom	07-10 ▲		FXD Dyna Super Glide	95-97 ▲		
FXSTD Softail Deuce	06-07 ▲		FXDB Dyna Daytona	92 ▲		
FXSTS Springer Softail	06 ▲		FXDB Dyna Sturgis	91 ▲		
			FXDC Super Glide Custom	92 ▲		
			FXDL Dyna Low Rider	93-97 ▲		
		FXDS-CONV Dyna Glide Convertible	93 ▲			
		FXDWG Dyna Wide Glide	93-97 ▲			
		FXST Softail Standard	90 ▲			
		FXSTC Softail Custom	90-97 ▲			
		FXSTS Springer Softail	90-97 ▲			
SRK7014 ▲=CT701SP	HARLEY DAVIDSON® FLHR Road King	93-97 ▲	SRK7020 ▲=CT701SP	HARLEY DAVIDSON® XL1200 Forty Eight Anniversary	18 ▲	
	FLHS Electra Glide Sport	91-94 ▲		XL1200C Sportster 1200 Custom	04-20 ▲	
	FLHT Electra Glide Standard	94-97 ▲		XL1200C Sportster 1200 Custom ANV	13 ▲	
	FLHTC Electra Glide Classic	91-97 ▲		XL1200CA Sportster 1200 Custom Limited A	13-16 ▲	
	FLHTCU Ultra Classic	91-97 ▲		XL1200CB 1200 Custom Limited B	17 ▲	
FLTC Tour Glide Classic	91-96 ▲	XL1200CB Sportster 1200 Custom Limited A	13-16 ▲			
SRK7015 ▲=CT701SP	HARLEY DAVIDSON® FLHS Touring Electra Glide Sport	90 ▲	XL1200CP Sportster 1200 Custom H-D1	11-16 ▲		
	FLHTC Touring Electra Glide Classic	90 ▲	XL1200CX 1200 Roadster	16-20 ▲		
	FLHTCU Touring Electra Glide Classic Ultra	90 ▲	XL1200L Sportster 1200 Low	06-11 ▲		
	FLTC Touring Tour Glide Classic	90 ▲	XL1200N Nightster	07-12 ▲		
	FLTCU Touring Tour Glide Classic Ultra	90 ▲	XL1200R Sportster 1200 Roadster	04-09 ▲		
SRK7016 ▲=CT705SP	HARLEY DAVIDSON® FLH Touring Electra Glide	84 ▲	SRK7021 ▲=CT701SP	XL1200T SuperLow 1200T	14-20 ▲	
	FLH Touring Electra Glide Shrine Shovelhead	84 ▲		XL1200V Seventy-Two	12-16 ▲	
	FLHS Touring Electra Glide Sport	84-89 ▲		XL1200X Forty Eight	10-20 ▲	
	FLHT Touring Electra Glide Standard	88 ▲		XL50 50th ANV Sportster	07 ▲	
	FLHT Electra Glide Classic	84 ▲				
	FLHTC Touring Electra Glide Classic	84 ▲		HARLEY DAVIDSON® XL883 Sportster 883	04-09 ▲	
	FLHTC Touring Electra Glide Classic	84-89 ▲		XL883C Sportster 883 Custom	04-10 ▲	
	FLHTCU Touring Electra Glide Classic Ultra	89 ▲		XL883L Sportster XL883 Low	05-11 ▲	
	FLST Softail Heritage	86-89 ▲		XL883L SuperLow	14-16 ▲	
	FLSTC Softail Heritage Classic	87-89 ▲		XL883L SuperLow	12-20 ▲	
	FLT Classic Tour Glide Classic	84 ▲	XL883N Iron 883	09-20 ▲		
	FLT Tour Glide	84 ▲	XL883R 883 Roadster	11-15 ▲		
	FLTC Touring Tour Glide Classic	84-89 ▲	XL883R Sportster 883R	07-10 ▲		
	FLTCU Touring Tour Glide Classic Ultra	89 ▲				
	FXE FX Super Glide	84 ▲				
	FXEF FX Super Glide Fat Bob	85 ▲				
	FXSB FX Low Rider	84-85 ▲				
	FXST Softail Standard	84-89 ▲				
	FXSTC Softail Custom	86-89 ▲				
	FXSTS Softail Springer	88-89 ▲				
	FXWG FX Wide Glide	84-86 ▲				

PART NO.	MAKE/MODEL	YEAR			
SRK7022 ▲=CT701SP	HARLEY DAVIDSON® XR1200 Sportster 1200 XR1200X XR1200X	08-10 ▲			
		10-13 ▲			
SRK7023 ▲=CT701SP	HARLEY DAVIDSON® XL1200 Sportster 1200 XL1200C Sportster 1200 Custom XL1200S Sportster 1200 Sport XL883 Sportster 883 XL883C Sportster 883 Custom XL883DLX Sportster 883 Deluxe XL883HUG Sportster 883 Hugger XL883R Sportster 883R	91-03 ▲			
		96-03 ▲			
		96-03 ▲			
		91-03 ▲			
		98-03 ▲			
		91-95 ▲			
		91-03 ▲			
		02-06 ▲			
SRK7024 ▲=CT701SP	HARLEY DAVIDSON® XL1200 Sportster 1200 XL883 Sportster 883 XL883 Sportster 883 Deluxe XL883HUG Sportster 883 Hugger XLH 1100 Sportster 1100 XLH Sportster 1000 XLS Sportster Roadster 1000 XR-1000 Sportster	88-90 ▲			
		86-90 ▲			
		86-90 ▲			
		87-90 ▲			
		86-87 ▲			
		84-85 ▲			
		84 ▲			
		84 ▲			
SRK7025 ▲=CT701SP	HARLEY DAVIDSON® XLCH-1000 Sportster 1000 XLH-1000 Sportster 1000 XLH-1000 Sportster Standard XLS 1000 Sportster Roadster XR 1000 Sportster	71-84 ▲			
		79-80 ▲			
		71-78 ▲			
		81-84 ▲			
		83-84 ▲			

CT CLUTCH REMOVAL TOOLS

Made in the UK, these laser cut clutch removal tools make clutch removal, loosening of the drive shaft bolts and re-tightening a breeze, without any fear of damage to your expensive clutch basket.

Tools can be extended to create more leverage if required with any simple workshop tool or tube. EBC Brakes produce a clutch tool for almost every clutch plate design known.



CAUTION:

Replacing a clutch kit requires skill, expertise and a good workshop, plus tools. A small press and a spring compressor may be needed. If you are not familiar with these routines, use a competent dealer or visit www.fixmyhog.com as an example of how to guide you safely.

CLUTCH TOOL BUYERS GUIDE

PART NO.	MAKE/MODEL	YEAR	PART NO.	MAKE/MODEL	YEAR
CT001	GAS GAS		CT003	SUZUKI	
	EC 125 2T	00-08		RM 125	92-01
	SM 125 2T Supermotard	03-06		RM 125	02-12
	HONDA		RM 125	09	
	CR 125 RF	85	CT004	KAWASAKI	
	CR 125 R	86-99		KX 125	94-96
	CR 125 R	00-03		KX 125	97-02
	CR 125 R	04-07		KX 125	03-08
	CRF 250 R	04-07		Z 200 A1 Up to E.No:-005062	77
	CRF 250 R8-R9	08-09		Z 200 A1 From E.No:-005063	78
	CRF 250 RA	10		Z 200 A2-A6	79-83
	CRF 250 R	11-21		KLX 230	20
	CRF 250 RE	16		KL 250	78-84
	CRF 250 X	04-17		KLR 250 D2-D22	84-05
	CRF 250 RX	08-21		KLT 250 C1-C3	83-85
	CRF 250 XRL	14-16		KXF 250 Mojave KSF	87-04
	HUSQVARNA			KX 250 F 4T	04-08
	CR 125	00-11		KX 250 F 4T	09-21
	TC 125	14-21		Z 250	80-83
	TE 125	14-16		ZR 400 Xanthus	92-95
	TX 125	17-18		ZXR 400 H1/H2	89
	WR 125	00-11		ZXR 400 L	91-02
	WRE 125	00-11		ZXR 400 R ZX	91-94
	SMS 125	00-11		ZX 400	89-90
	KTM			H1 500 Mach III	69-10
	125 EGS	98-99		H1-A 500 S Mach III	71
	125 EXE	00-01		H1-B/C 500 Mach III	72
	125 Supermoto	00-01		H1-D/E/F 500	73-75
	EXC 125	98-06		KH 500 A8	76
	EXC 125	07-15		ZX6 R	95-99
	EXC 125 Six Days	11-15		ZX6 R ZX	00-01
	SX 125	98-07	ZX6 R ZX 636cc	02	
	SX 125	08	ZX6 R ZX 636cc	03-04	
	SX 125	09-15	ZX6 R ZX 636cc	05-06	
	125 SXS	01-02	ZX6 R 599cc	07-16	
	XC 150	11-13	ZX6 R ZX 636cc	13-17	
	SX 150	08-13	ZX6 R ZX 636cc KRT Edition	16-17	
	200 EGS	98-99	ZX6 R 30th Anniversary Edition ZX 636cc	15	
	200 EXC	97-14	ZX6 RR ZX 600 K1	03	
	200 MXC	98-03	ZX6 RR ZX 600 M1	04	
	SX 200	06-07	ZX6 RR ZX	05-06	
	SX-F 250 4T	05-12	H2/H2-A Mach IV 750cc	72-73	
	EXC-F 250 4T	06-13	H2-B/H2-C Mach IV 750cc	74-75	
	EXC-F 250 Six Days 4T	11-13	Z 750 ZR	04-06	
	XC-F 250 4T	11-12	Z 750 S ZR	05-07	
	MORIWAKI HONDA		Z 750 ZR	07-08	
	MD 250 H	08-11	Z 750 ZR	09-10	
	CT002	HONDA		Z 750 R Black Edition ZR	12
		CR 125	76-78	Z 750 R	11-12
		CR 125 RB	81	Z 800	13-16
		CR 125 RC	82	Z 800 E	13-16
		CRF 150 R SW 17"/14"	07-21	Z 900 ZR	17-21
		CRF 150 RB BW 19"/16"	07-21	Z 900 RS ZR	18-21
VT 250 FD		83	Z 900 RS Café ZR	18-21	
RVF 400 RR NC35		94-96	ZX9R ZX	98-99	
VF 400 FD		83-85	ZX9R ZX 900	00-03	
VFR 400 R NC30		89-92	KLZ 1000 Versys	12-14	
VFR 400 NC21		85-86	Z 1000 ZR	03-06	
VFR 400 R NC24		87-88	Z 1000 ABS ZR 1000 C7F/C8F/C9F	07-09	
VF 500 F		84-85	Z 1000 ZR 1000	10-15	
KAWASAKI			Z 1000 5 Spring Clutch	10-13	
KX 80		98-00	Z 1000 Black Edition ZR	12-13	
KX 85 SW 17"/14"		01-20	Z 1000 5 Spring Clutch	14-15	
KX 85 BW 19"/16"		01-20	Z 1000 Special Edition ZR	2014	
KX 100		98-00	Z 1000 ZR 3 Spring Clutch	2016	
AR 125		83-94	Z 1000 Performance	16-21	
KMX 125		86-87	Z 1000 SX ZX	11-13	
KMX 125		86-87	Z 1000 SX ZX 1000	14-15	
KMX 200		88-92	Z 1000 SX Tourer	11-21	
SUZUKI			Z 1000 SX ABS ZX 3 Spring Clutch	16	
RM 100 K3		03	ZX10R ZX 1000	04-05	
GSX 400 Impulse Type S		94-99	ZX10R ZX 1000 D6F/D7F/E8F/E9F/FAF	06-10	
RF 400 R GK78A			ZX10R ZX 1000	11-15	
RV 400 RP/RR		93-	ZX10R 30th Anniversary Edition ZX 1000	15	
			ZX10R ZX	16-21	
			ZX10R Winter Test Edition ZX	16	
			ZX10R Ninja KRT Replica ZX	16-19	

PART NO.	MAKE/MODEL	YEAR	PART NO.	MAKE/MODEL	YEAR
CT004 Contd.	ZX-10RR	17-19	CT006 Contd.	CCM R35/R35S 404E/DS/Supermoto CR40 S Cafe Racer CR40 Street SR40 Street Scrambler	06-07
	ZX-10RR Performance	17-21			03-04
	SUZUKI				07
	RM-Z 250	04-06			07
	RM-Z 250	07-09			07
	RM-Z 250	10-21			07
	GSXR 1000	01-04			
	GSX-S 1000	16-21			
	GSX-S 1000 F	16-21	CT007	KTM SX 250 2T 250 EGS EXC 250 2T EXC 250 Six Days 2T 250 MXC 250 SXS XC 250 2T 300 EGS EXC 300 2T EXC 300 Six Days 2T 300 EXC 300 MXC XC 300 2T SX 300 300 Six Days 360 EGS 360 EXC 360 MXC 360 SX 360 Six Days 380 EXC 380 MXC SX 380 RXC-E 400 RXC-E 620	94-12
CT005	YAMAHA				94-99
	YZ 125 2T	91-16			94-12
	RI-Z 250cc	90-92			98-99
	XT 250 Serrow	05-08			01-03
	TT 250 R 4GY1 Japan - 6 Plate Clutch	93-94			11-12
	TT 250 R 4RR1/2 Japan - 6 Plate Clutch	95-97			94-99
	TT 250 R 4GY3/4GY5/4WA1				00-12
	- Raid - Japan - 6 Plate Clutch	94-96	11-12		
	TT 250 R 4MR2 - UK - 6 Plate Clutch	96	94-07		
	TT 250 RL 4PX5 - 6 Plate Clutch	99	94-05		
	TT 250 RM 4PX6 - 7 Plate Clutch	00	11-12		
	TY 250 Z	93-96	94		
TZR 250 R 3XV1/3XV4/3XV6		96			
- V-Twin - Eng/Frame #		96-97			
3XV 000101-08600	91-93	96-97			
WR 250 F4T	01-13	96-97			
WR 250 F 4T Reverse Cylinder	15-16	96-97			
WR 250 R 2T	08-20	96			
WR 250 X	08-15	98-02			
XG 250 Tricker 5XT1	04-06	98-01			
XT 250 X	06	98-02			
YFM 250 R 33B	09-11	95			
YFM 250 R 1BT	12-13	95			
YZ 250 F4T	01-15				
CT006	KAWASAKI		CT008	YAMAHA XV 125 Virago XVS 125 Drag Star DT 250 IT 250 G/H/J RD 250 A/B/C/D/E/F RD 250 LC RZ 250 R 1AR/1XG RZ 250 R 29L RZ 250 RR 51L RZ 250 4L3 SR 250 US Custom/3Y8/6 Plate Clutch SR 250 SE Special/3Y8/5 Plate Clutch SR 250 4GR1/2/3/4/5 Plate Clutch SR 250 Classic/21L/5 Plate Clutch SRV 250 Soulful Twin/Renaissa 4DN1-6 SRX 250 TYR 250 D/E TZR 250 3MA1 - Reverse Cylinder TZR 250 3MA3/3MA5 - Reverse Cylinder XS 250 C/D/E XS 250 SE/C XT 250 XV 250 Virago XV 250 S Virago XVS 250 Dragstar YZ 250 D/E/F/G/H 2T YDS7 250cc R5/5A/5B 350cc RD 350/A/B RD 350 LC/YPVS RD 350 N/F/F2/R TT 350 A 3GJ TT 350 ITJ XT 350 YFM 350 Big Bear YFM 350 YFM 350 X YFM 350 ERD/ERE/ERF YFM 350 ERG YFM 350 FX Wolverine All models YFM 350 UH/UJ YFM 350 Raptor YFZ 350 Banshee DT 400 DT 400 MX	83-88
	ER 250 Scorpion	81-83			97-00
	KDX 250	91-93			00-03
	KDX 250 D1	74			75-76
	KX 250 2T	75-84			80-82
	KX 250 2T	87-91			74-79
	KX 250 2T	87-88			80-82
	KXF 250 4T	84-87			
	KXT 250 Tecate	79-81			
	Z 250	01-02			80-81
	KEF 300 Lakota Sport	87-05			81-83
	KLF 300	83-96			94-96
	GPz 305	93-98			96-00
	KLF 400	03-04			92-97
	KLX 400 R KLX	03-06			
	KSF 400 KFX	80-81			77-78
	KX 420	08-14			89
	KFX 450 R Quad KSF 450	08-15			89-90
	KLX 450 R	06-20			78-80
	KX-F 450	83-84			80-81
	KX 500	87-04			80-81
	KX 500				80
	SUZUKI				89-94
	DR-Z 400 S/E	00-09			95-00
	DR-Z 400 SM	05-09			01-04
	LT-F 400 K2 Eiger	02			77-81
	LT-F 400 Eiger 4WD	02-07			72
	LT-F 400 King Quad 4WD	08-12			70-72
	LT-F 400 Eiger 2WD	03-07			73-75
	LT-Z 400	03-04			80-84
	LT-Z 400 QuadSport	05-15			85-95
	LT-F 500	98-02			90-95
LT-F 500	03-07	85-89			
ARCTIC CAT ATV 4 WHEELERS		85-95			
400 2 x 39906 x 4	98-	86-93			
400 2 x 4	98	94-97			
400 2 x 39906 x 4	00-02	92-04			
400 2 x 39906 x 4	03-04	92-94			
400 4 x 4 Manual	05-08	95			
400 DVX	04-06	95-04			
400 DVX	07-08	96-97			
Bearcat 454 4 x 4	96-98	04-09			
Bearcat 454 2 x 4	97-98	87-09			
500 4 x 4	98-02	75-76			
500 4 x 4 Manual	03-09	77-79			

PART NO.	MAKE/MODEL	YEAR	PART NO.	MAKE/MODEL	YEAR	
CT008 Contd.	FZ 400 N IFK/33M/46X	85	CT008SP Contd.	XJ 750 RF/RJ/RK Seca	81-83	
	RD 400 C/D/E/F	76-79		XS 750	77-79	
	SR 400 3HT1	88		XS 750 SE	79-80	
	SR 400 2RD	14-16		YZF 750 R/SP	93-97	
	SRX 400 1JL			XS 850	80	
	SRX 400 3VN1/3VN2/3VN5	90-96		XJ 900	83/90	
	XJR 400 4HM1/4HM2/4HM4/4HM7	93-96		XJ 900 F	85-92	
	XJR 400 4HM3/4HM5/4HM6/4HM9/4H MA/4HMB	95-99		XJ 900 S Diversion	95-03	
	XS 400	78-79		FZR 1000 2RG - Genesis Non EX-UP	87-88	
	XS 400 SE	80		FZR 1000 3GM1 EX-UP Models	89-92	
	YZ 400 D/E/F 2T	77-79		FZR 1000 3GME/F EX-UP Models	93-95	
	YZ 400 FK/FL 4T	98-99		FZS 1000 Fazer	01-05	
	WR 400 F 4T	98-01		GTS 1000	93-96	
	IT 425 G	80		YZF 1000 Thunder Ace	96-02	
	IT 465 H/J	81-82		CT009	HONDA	
	YZ 465 G/H	80-81			CB 250 K	73-75
	SR 500	78-82			CB 250 G5	75-76
	SR 500 S 3GWS	98			CJ 250 T	77
	SR 500 3GW1/4/6/7	96-98			CR 250 R	81-07
	TT 500 G/H	80-81			TL 250	78-79
	XT 500 C	76	XL 250		78-79	
	XT 500	77-81	CB 350			
	XS 500 B/C/D	77-79	CB/CJ 360 all models			
	XT 550	82-83	CR 450 RB		81	
	XZ 550	82	CRF 450 R2/R3		02-03	
	SRX 600	86-87	CRF 450 R 6 Spring Type		04-08	
	SRX 600 1JK/3SX	85-91	CRF 450 R 4 Spring type		09-10	
	TT 600 L	84	CRF 450 R		11-12	
	TT 600 N 59X	85-88	CRF 450 R 6 Spring Type		13-16	
	TT 600 W 2JT/3SU1 59X	89-92	CRF 450 RE		16	
	TT 600 R 5CH1/2/3/4	97-02	CRF 450 X		05-16	
	TT 600 RE 5CH5	04	CRF 450 XRL		14-16	
	TT 600 E	94-01	TRX 450 R		04-09	
	TT 600 K	93-96	CR 480 RC/RD		82-83	
	XT 600	84-87	CB 500/K1/K2 Four		75-77	
	XT 600 Z	84-90	CR 500 R 2T		90-01	
	XT 600 E	90-03	NX 500 Dominator		88-99	
	SZR 660	96-97	XBR 500 F/G/H/SH/SJ		85-89	
	XTZ 660 Tenere	91-97	XR 500 RD/RE		84-85	
	YFM 660 R Raptor	01-05	XL 600 R		83-87	
	XTZ 750	89-95	XL 600 LM		85-87	
	TDM 850	91-01	XR 600 R		84-00	
	TRX 850	96-98	FMX 650 39968		05-08	
	TDM 900 5PS/Non ABS	02-14	FX 650 Vigor		99-03	
	DERBI		NX 650		88-02	
	Mulhacen 659	06-07	SLR 650 V/W		97-98	
	CT008SP	YAMAHA			XR 650 L	93-12
		XJ 550	81		XR 650 R	00-07
		XJ 550 Maxim	81-83		TRX 700 X	08-11
		XJ 550 Seca	81-83		XRV 750	90-03
		FZ 600	87-88		PC 800 Pacific Coast	89-97
		FZ6 1B3/1B3D	04-07		CB 1000 F	93-97
		FZ6 NS 1B35/1B6	05-06		CB 1000 R	09-16
		FZ6 S2 5S51/5S5	07-09		CBF 1000 A	06-11
		FZ6 Fazer Half Fairing 5VX/5VXL	04-07		CBF 1000 S	07-10
		FZ6 Fazer Half Fairing	06-07		CBF 1000 T GT	07-16
		FZ6 Fazer S2 Half Fairing 4S81/4S8	07-09		CBF 1000 FA FAA 3 Piston Front Caliper/ABS	10-15
FZ6 Fazer S2 Half Fairing 5S2		08	CBR 1000 F		87-99	
XJ 600		84-92	CBR 1000 RR Fireblade Coil Spring		04-07	
XJ 600 S Diversion		92-03	CRF 1000 LAG		16-20	
XJ 600 N		95-03	VTR 1000 F Firestorm		97-06	
XJ6-N 600		09-15	XL 1000 Varadero 10 Plate Kit	99-02		
XJ6-F Diversion 600cc Full Fairing Diversion 1CW		10-15	XL 1000 Varadero 8 Plate Kit	03-11		
XJ6-S Diversion 600cc Top Fairing Diversion 36C		09-15	VT 1100 C2	95-05		
XJ6-SP Diversion 600cc		13	CB 1300 F SC40	98-01		
YZF 600 R R6 8 plate		99-02	CB 1300 SC38	97-00		
YZF-R6 8 plate		03-05	CB 1300 F3/F13	03-04		
XJ 650		80-84	CB 1300 Superfour	05-09		
XJ 650 Turbo		82	CB 1300 SA Super Bol-Dor	05-08		
XJ 650 Maxim		80-83	HONDA DALL-ARA			
XJ 650 LH Midnight		81	XR 650 R	04		
XJ 650 RJ/LK Seca		82-83	KAWASAKI			
FZX 700 Fazer		86-87	EX 250 Ninja 250R	08-12		
FZ 750		85-92	EX 300 Ninja 300	13-16		
FZX 750		87	EX 300 Ninja 300 Special Edition	13-16		
FZR 750		87	Z 300 ER	15		
FZR 750 R OWO1		89-90	Versys-X 300	17-20		
XJ 750		82-83	ZX12 R ZX	00-06		

PART NO.	MAKE/MODEL	YEAR	PART NO.	MAKE/MODEL	YEAR	
CT009 Contd.	SUZUKI		CT010 Contd.	TZR 125 3JB/4JB/4HW/4HX	93-95	
	GSXR 1000	11-20		TZR 125 R 4DL1/4DL2	91-93	
	GSXR 1000 R	17		TZR 125 RR 4DL3	94-95	
	TL 1000 R	98-00		TZR 150 R 4AP2	00	
	TL 1000 S	99-00		DT 200 2LR	87	
	TL 1000 SK	01-02		DT 200 WR 3XP	92-93	
	TL 1000 RK	01-02		SDR 200 2TV	87-89	
	GSX 1400	01-07		WR 200 D/E/F	92-94	
	GAS-GAS			YFS 200 Blaster	91-06	
	EC 200/250/3002T	00-08		YTM 200 EL/DX	89	
	EC 450 FSR/FSE 4T Enduro	05-08		DT 230 R Lanza 4TP1/2	97-98	
	SM 450 FSR 4T Supermotard	07-08		FZR 250	87	
	Wild HP 450 Quad	04-08		FZR 250 R 3LN1/3/5/6/7		
	EC 515 FSR/FSE 4T Enduro	05-08		FZX 250 Zeal 3YX1/2/4	91-92	
	SM 515 FSR 4T Supermotard	07-08		FZ 400 4YR1	96	
	KTM			FZR 400 RR 4DX	92	
	SX-F 450 4T Coil Spring	07-11		FZR 400 Genesis 1WG	86	
	450 SX Quad	09-11		FZR 400 RSP 2TK-EXUP	87	
	SX-F 505	07-09		FZR 400 3EN1/3EN2	88-89	
	505 SX-F Quad	09-12		FZR 400 RR 3TJI		
	MONTESA-HONDA			FZR 400 RRSP 3TJ2/6/7		
	315R 2T	97-04		YFM 400 Kodiak	93-00	
	TRIUMPH			YFM 400 Big Bear	03-04	
	Daytona 955i	98-00		FZR 600	89-93	
	Daytona 955i From VIN 132513	01-06				
	SpeedTriple EFI	97-01		CT010SP	YAMAHA	
	SpeedTriple 955cc			YFM 200 D	86-90	
	From VIN 141872 to 210444	02-04		YFM 225	85-89	
	SpeedTriple 1050cc	05-08		YTM 225 DRN	85	
	SprintST 1050cc From VIN 208167	05-09		YFU1W/TW Pro Hauler Pro 4 230cc	89	
	SprintRS	99-04		YFB 250	92-00	
	SprintST Up to VIN 139276	99-01		YFM 250 W/A/B	90-92	
	SprintST From VIN 139277 to 208166	02-04	YFM 250 X Bear Tracker	00-04		
	T595 Daytona	97	YFM 250 FN	01		
	Tiger 900cc From VIN71699	97-98	YFM 250 Bruin	05-06		
	Tiger 955cc Up to VIN 198874	99-04	YFM 250 Big Bear	07-10		
	Tiger 955 From VIN 198875	04-06				
	Tiger 1050	07-12	CT011	KAWASAKI		
	Tiger 1050 SE	10-12	KLX 125	03-06		
	HONDA		KLX 125 L	03-06		
	CR 500 R	84-89	SUZUKI			
			GS 50 K5 NA41A	05		
	CT009SP	HONDA	GT 50 KB/KEN	77-80		
	CB-1 CB 400 F	89-90	OR 50 ET	80		
	CB 400 F2N F2R Super Four NC31	92-95	RG 50 EW			
	CB 400 F2V F3T Superfour NC31	96-97	TS 50 ER	79-83		
	CB 400 F3V Superfour NC31	97	TS 50 X	84-02		
	CB 400 Four V/V-II/W/W-II NC36	97-98	TS 50 W			
	CB 400 S NC39 Super Four	99-05	ZR 50 KEN/KEX	79-81		
	CBR 400 R NC23	86	ZR 50 SLKX/SKX	81		
CBR 400 RR NC23	92-93	ZR 50 SKE/SKH	84-87			
CB 500 K3	78	DS 80	80-00			
CBR 500 F Four	87-90	JR 80	01-07			
CX 500 C	79-85	RM 80 all models	77-01			
GL 500 DC	82	RM 85 All Models	02-20			
CB 550 F	78-80	GP 100 C/UC	78			
CBX 550	82-85	GP 100 N/UN	79			
CBR 600 FH/FJ	87-88	GP 100	81-92			
CBR 600 FK/FL	89-90	RM 100 A/B/C	76-78			
CB 750 F2	92-02	RM 100 N/T/X	79-81			
CB 1100 AD	13	TS 100 C	78			
CB 1100 AE	14	TS 100 ER	79-82			
CB 1100 EX SAE	14-16	DF 125				
TRIUMPH		DR 125 S	82-94			
Bonneville 800 790cc		DR 125 SE	99-01			
Up to Engine no. 211132	01-04	DR 125 SM	08-12			
Bonneville T-100 790cc		DR-Z 125	03-20			
Up to Engine no. 211132	02-04	FX 125				
		GN 125 all models	94-11			
CT010	YAMAHA	GP 125 C/N	78-79			
YZ 65 J	19-20	GP 125 X/XD	81-84			
YZ 80 all models	81-01	GS125	82-00			
YZ 85 all models	02-20	GSX-R 125	18-20			
DT 125 R	88-03	GSX-S 125	18-20			
DT 125 RE	04-07	GT125	74-79			
DT 125 X	05-06	GZ125 Marauder	98-11			
TDR 125 3HS1/3XD0/3HS3/3XD1	89-93	LT125	84-86			
TDR 125 4GH	93-03	RG125 NF12A Gamma	86-90			
TDR 125R 3HS2/3XE2 Lightburner	93-94	RG125 NF12B Gamma	86-90			
TZR 125 2RK/3PC1	87-92	RG125 Gamma NF13A	92-94			

PART NO.	MAKE/MODEL	YEAR	PART NO.	MAKE/MODEL	YEAR	
CT011 Contd.	RG125 Gamma NF13B	92-94	CT012 Contd.	CR80 R		
	RG125 UN - Wolf NF13E/Naked	92-94		CRF80 F4/F5/F6/F7/F8/F9/FB/FC	04-12	
	RM125	76-91		XR80	80-81	
	RV125 Van-Van	02-15		XR80 R	87-88	
	TF125 Farm Bike All models	78-05		CRF100 F	04-12	
	TS125	73-78		XL100 S	78-82	
	TS125 ER	79-82		XR100 R	93-03	
	TS125 N	84		XR100 M5 HD13 Motard	06	
	TS125 X	84-90		XZ100 2 APE-HC07	02	
	TS125 R	90-94		CB125	75-79	
	TU 125	99		CB125 T	78-80	
	GSX 150 Gixxer	16-20		CG125	77-08	
	LT160	89-92		CT125 C	85	
	LT-F160	90-03				
	LT160 QuadSport	03-04		CT012SP	HONDA	
	PE175	78-82			CB50 J	81
	GT185	73-79			CB50 V/W Dream 50	97-98
	LT185 E/F	84-85			CR50 RE-RF	84-85
	TS185 K/L/M	73-75			CRM50 RN/RP/RR/RT	93-96
	TS185 ER	77-81	MB50		80-82	
	DF200 SH42A	98-99	MTX50 SC		83-87	
	DR200	86-89	MBX50 SD/SF		83-85	
	DR200 SE SH42A Djebel	93-00	MT50 S		80-93	
	DR200 SE Trojan	96-10	NSR50 FP/FR/FS		93-95	
	DR200 SEK1-SEK9	01-09	NSR50 RV/RW/RX/RV		97-00	
	GT 200 EN/EX X5	79-80	NSR50 SK/SP/SR/SS		89-95	
	RV 200 K2/K3	02-03	NSR50 V AC10-180		97	
	SB 200 N/X	79-80	NSR50 X AC10-190		99	
	SX 200 R	90-91	TLM50 F		85	
	TS 200 R	89-94	CRM75 R		89-94	
	LT 230	85-86	NSR75 NS-1		92-00	
	LT-F 230 G/H	86-87	CR80 R		80-02	
	GS 250 TT/TX	80-81	MBX80 F		83-86	
	GSF 250 GJ74A	92-96	MTX80 RFD/RFF		83-84	
	GSX250 ET/EX/EZ	80-82	NSR80 HC06		88-	
	GSX250 RCH/RH GJ72A		NSR80 V HC06-170		97	
	GSX250 SSM Katana GJ76A	91	NSR80 X HC06-180		99	
	GSXR250 CJ/CK GJ72A		CR85 R		03-07	
	GSXR250 RK GJ73A	89	TRX90		93-14	
	LT-F250	89-01	Astrea Supra NF100		99	
	LT250 EFF/EFG	85-86	Astrea Grand Supra		97-98	
	LT-F250 F	99-02	CB100 N		78-80	
	LT-F250 Ozark	02-03	H100 A/SD/SG/SJ		84-92	
	LT-F250 Ozark	05-14	ATC125 MG		86	
	TS250 X	85-89	CA125 S/T		95-96	
	LT-F300 J/K	88-89	CA125 Rebel V/W/X		98-00	
	LT-F4WD 300 Quadrunner	91-98	CB125 TDC/TDE/TDJ		83-89	
	LT-F300 F	99-01	CB125 RS		83	
	GSF400 M/N/P	91-95	CBF 125 6 Stunner		06	
	GSF400 Bandit GK75A	89-94	CBF 125 M7 Stunner		07	
	GSF400 Bandit GK7AA		CBF125 M		09-15	
	GSX400 R2 GK71B		CBR125 R		04-16	
	GSX400 R3 GK71F		CD125 TC		78	
	GSX400 F GK74A	88-90	CLR125 W City Fly		98-03	
	GSX400 Impulse		CM125 CC/CF		82-85	
	GSXR 400 H	87	LS125 R		00-	
	GSXR400 RR GK73A	88-90	NX125 K/S/F Transcity		89-97	
	GSXR400 R GK76A	90-95	TL125 S		76	
	ARCTIC CAT ATV 4 WHEELERS		TRX125 J		88	
	250 2 x 39906 x 4	01-05	XL125		78-79	
	300 2 x 39906 x 4	98-04	XL125 S/R		79-86	
	300 4 x 4	05	XLR125 RW		98-99	
	SACHS		XR125 L		03-08	
	XTC125	00-07	CBF 150 5		05	
	XRoad 125	06-07	CBF 150 M5 Unicorn		05	
			CBF 150		06	
			CBF 150 M Unicorn		06-12	
	CT012	YAMAHA			CBR150 R	00-03
		MT 125	14-16		CRF 150 R	03-20
		XT125 R 13D3/13D5 - 4 Friction plate type	07-11	CD185 T	78	
		XT125 X 13D4/13D6 - 4 Friction plate type	07-11	ATC185 A/SB/SC/SD	80-83	
		YBR125 ED		XL185 SZ/SA/SB	80-82	
		3D91/3D92/3D9/51D1/2 - 4 Plate type	06-13	ATC200 B/ESE/ESF/SE	81-84	
		YBR 125 ED 51D1/2 - 4 Plate type	10-16	ATC200 XD	84	
		YBR125 Custom - 4 Friction plate type	08-16	CD200 TA	79-80	
		YZF-R 125	14-16	CM200 TA/TB	79-80	
		HONDA		CTX200/CTX 200 A Bushlander	04-05	
XR50 M5 AD14 Motard		06	TA200 TA Shadow	02-05		
XZ50 39844 APE-AC16		01-02	TL200 J/Y	76-78		
CR60 R		85-86	TLR200 D/E/G/H	83-87		
XR75		78-79				

PART NO.	MAKE/MODEL	YEAR	PART NO.	MAKE/MODEL	YEAR	
CT012SP Contd.	TRX200 L/M	90-91	CT013SP Contd.	NS125 F 5 Plate Clutch	86-87	
	TRX200 D	91-97		NSR125 F 6 Plate Clutch	88-92	
	TRX200 SX	86-87		NSR125 R 6 Plate Clutch	89-92	
	XR200 R	81-83		NSR125 RR 6 Plate Clutch	93-01	
	XR200 R	86-02		MTX200 R	83-85	
	XR200	80-84		XR200 R	84-85	
	FTR223 MCS4	00-02		ATC250 R	85-86	
	CRF230 F	04-09		ATC250	85-88	
	CRF230 L	08-10		AX-1NX 250 J/K/R/R3	89-94	
	CRF230 M Supermoto	09-10		CB250	78-82	
	SL230 V/W/X/1	97-01		CB250 RSA/RSD	81-84	
	XL230 2 MC36	02		CBF250 39967	04-06	
	CB250 Two Fifty	93-05		CBX250 RSE	84	
	CB250 F Hornet MC31	96-01		CBX250 Twister		
	CBR250 MC14/17/19	86-89		CL250 SC	81	
	CBR250 RR MC22	90-94		CM250 TB	81	
	CD250 UJ/UK	88-92		GB250 E/H/J/L/P/S/V Custom	84-97	
	CMX250 CT/CV/CW/CX	96-00		NX250 J/K/L MD21	87-90	
	TLR 250 F	85-		NX250 2L/M/P/2P	90-93	
	TRX 250 TM2 Re Con	97-14		TRX250 F/G/H	85-87	
	TRX 250 TE2 Re Con ES	02-14		XL250 S/SZ/SA/SB/RC	78-82	
	TRX250 X	09-11		XL250 RE/RF	84-85	
	TRX250 EX	01-08		XL250 Degree	91-92	
	VT250 CR Magna			XLR250 R Baja 5 Plate MD22	87-88	
	VT250 FL Spada/Castec	88-90		XLR250 R Baja 6 Plate MD22	96-97	
	VTZ250 H/J/K	86-88		XR250 SZ/SA	79-80	
	VTR250 W/Y MC33/1-7	98-07		XR250 R	81-04	
	VTR250 9	09-10		XR250 Y/3 MD30	00-03	
	HONDA-DALLARA			XR250 39935 MD30 Motard	03-05	
	XR125 SM	04		XR250 III Y/3 Baja	00-03	
	KAWASAKI			TRX300	88-00	
	KLX125 C	10-16		TRX300 EX	93-08	
	KLX125 D D-Tracker	10-14		TRX300 X9	09	
	KLX 150 L	14-15		TRX350	86-93	
	KLX 15 D-Tracker	16		TRX350 FMY/1-5 Fourtrax Rancher/4x4	00-05	
	KLF185 A3	87		TRX350 TE/FE Fourtrax Rancher ES/ES 4x4 FEY/1-5	00-05	
	CT013	BMW			CB350 SG/SJ	86-88
		G 310 GS		17-20	XR350 RD/RE	83-84
		G 310 R		17-20	CB400 F/F1/F2	75-79
		HONDA			CB400	78-82
		CR125 RD/RE		83-84	CBR400 RR NC29	90-94
		CRM250 R RK MK1 MD24			NT400 Bros NC 25	88-92
		100001-1008385		89-90	NV400 CJ/CK Steed	92-93
		CRM250 R RM MK2 MD24			NV400 CS/CV Steed	95-97
		1200001-1211634		91-92	NV400 Shadow Slasher NC40	00-02
CRM250 R RP/RP-11			TRX400	95-00		
MK2/2/MD24 1300001-		93	VRX400 T NC33	96		
CRM250 MK3 RR/RR2 MD24-10		94-96	TRX420	07-11		
CRM250 Active Radial ARV/ARW MD32		97-98	TRX420 4WD-Fourtrax ES	07-11		
NS250 FE/RE MC11-100		84	TRX420 4WD-Fourtrax	07-11		
NS250 RG MC11-102		86	TRX420 Fourtrax - 4WD	09-11		
NSR250 RG MC16-100 - Wet Clutch		86	TRX420 T Fourtrax ES - 2WD	07-09		
NSR250 R2J MC18-100/R4J			CB450 DX-K	89		
MC18-100 - Wet Clutch		88	CMX450 CH/CJ Rebel	02		
NSR250 R5K/R5K-2			TRX450 E	98-01		
MC18-110 - Wet Clutch		89	CB500 Twin	94-03		
NSR250 R7LMC21-100			CBF500	04-07		
/R7N MC21-106 - Wet Clutch		90	FT500 C	82		
NSR250 RR MC28-100 - Wet Clutch		94	TRX500 F Fourtrax Foreman 4WD/ES	05-11		
TRX250 RG/RH/R/RK		86-89	TRX500 FEC Fourtrax Foreman ES			
CB400 SS SS2-NC41		01-05	39904 WD	12		
CL400 NC38		97-03	TRX500 F Fourtrax Foreman 4x4	05-11		
NS400 RF/RG		85-87	TRX500 FMC Fourtrax Foreman S			
TRX400 E		99-09	39904 WD	12		
XR400 R		96-05	TRX500 TM5/TM6 Fourtrax Foreman	05-06		
XR400 R Motard NC38E		05-06	TRX500 F Fourtrax Foreman 4x4 ES/EPS	08-11		
XR400 M Supermotard ND08/NC38E		06-08	TRX500 FPCC Fourtrax Foreman S			
HONDA-DALLARA			39904 WD	12		
XR400/440 R		04	VT500 ED/EF	83-85		
XR400/440 SM		04	XL500 SZ/SB/RC	80-82		
SUZUKI			XR500 SZ/SA/RB/RC	79-82		
DR250 R SJ45A/DOHC		95-00	NTV600 J/K/M	88-91		
DR250 R Djebel SJ45A			VT600 C	92-00		
DR-Z250 DJ 43 A		01-07	XL600 Transalp	87-99		
CT013SP		HONDA		NT650 BROS	88-92	
		CRM125 R	90-99	NTV650	88-97	
		MBX125 FE	84-86	NT650 Deauville	98-05	
		MTX125 RWD/E/F/H/L	83-95	XL650	00-07	
				XR650 Africa Twin	88-89	

PART NO.	MAKE/MODEL	YEAR	PART NO.	MAKE/MODEL	YEAR	
CT013SP Contd.	NC700	12-17	CT014SP Contd.	CBF600 S	04-06	
	NT700 Deauville	06-13		CBR600 F	91-98	
	XL700 Transalp	08-11		BENELLI		
	XL700 Transalp	08-11		Leoncino 500	17-19	
	NC 750S	14-18		Leoncino Trail 500	18-19	
	NC 750 X	14-19		TRK 502	17-19	
	VT750	97-09		BN 600 GT	14-17	
	VT750 C Shadow Black Spirit	10-15		BN 600 i	14-17	
	VT750 C Shadow	10-12		BN 600 R	14-15	
	VT750 DC Black Widow	01-04		BN 600 S	14-15	
	VT750 DC Shadow Spirit	07-09				
	VT750 S VT 750 SA/SB	10-12				
	HONDA-DALLARA			CT015	SUZUKI	
	XR250 R	04			GSXR 600	06-20
	XR250 RM	04			GSXR 750	06-20
	KAWASAKI		GSX-S 750		15-20	
	KLF220 A1-A15	88-02	GSX-R 1000		05-08	
	KLF250 Bayou 250	03-11	GSX-S 1000		18-20	
	MOTOROMA		Katana		19-20	
	Geko300 Quad	04-06	KTM			
TRIUMPH		950 Adventure S	03-04			
Daytona600	02-05	950 Adventure	02-06			
TT600	00-03	950 Superenduro R	07-08			
		950 Supermoto	05-07			
		990 Adventure S	06-08			
		990 Adventure R	09-12			
		990 Adventure	09-12			
		990 Adventure Dakar Edition	11			
		990 Superduke	05-11			
		990 Superduke R	07-13			
		990 Supermoto T SM-T	08-13			
		990 Supermoto R SM-R	08-13			
CT014	HONDA		CT016	KAWASAKI		
	CB600 F Hornet	07-13		EL250 Eliminator	87-89	
	CBF600 N	08-11		EL250 D1-D5	90-94	
	CBF600 S	08-12		EL252 EL	96-03	
	CBR600 F	99-00		GPX250 R ZX	88-95	
	CBR600 FS1/FS2 Sport	01-02		GPZ250 R EX	86	
	CBR600 FB/FC	11-13		GPX250 R II EX	88	
	CBR600 FAB/FAC	11-13		KLE250 Anhelo		
	CBR600 RR3-RRK	03-19		KR250 A1/A2	84-86	
	CBR600 RR Hannspree	08		KR-1KR 250 B2	89	
	CBR600 RA9-RAKC-ABS	09-19		KR-1SKR 250 C2/C3	90-92	
	VF750 C	93-97		KX250	92-02	
	VFR750 F	86-97		KX250 2T	03-08	
	VFR750 R RC30	88-92		ZZ-R250 EX	90-03	
	VFR800 Fi-W/Fi-X/Fi-Y/Fi-1	98-02		FX400 R ZX	86-88	
	VFR800	02-09		GPZ400 R ZX	85-87	
	VFR800	02-13		GPZ400 R ZX	87	
	VFR 800 XA Crossrunner/ABS	11-13		Z400 J1-J3	80-83	
	VFR 800 XA Crossrunner/ABS	15-16		ZL400 A Eliminator	86-87	
	CB900 F Hornet	02-07		ZL400 B Eliminator SE	88	
	CBR900 RR Fireblade 893cc	92-94		ZR400 Z	83-84	
	CBR900 RR Fireblade 918cc	95-99		ZRX400 ZR	94-01	
	CBR900 RR Fireblade 929cc	00-01		ZR400 Zephyr	97-01	
	CBR900 RR Fireblade 954cc	02-03		ZX400 C2 Z	85	
	SUZUKI			ZZR400 ZX	90-99	
	GSR400	06	EN450 LTD	86-89		
	GSR600	06-10	EN500	90-04		
	GSXR600	01-05	ER-5ER 500cc	97-07		
	GSF650 Bandit	07-12	GPZ500 S EX	87-04		
	GSF650 S Faired Bandit	07-12	KLE500	91-07		
	GSX650 F	08-15	Z500	79-81		
	GSR750 L	11-15	GT550 G1-G9	83-01		
	GSXR750 Y	00	GPz550	81-87		
	GSXR750	01-05	ZR550 A1/A2 Z 550 F	83-84		
	RF900 R	95-98	ZR550 Zephyr	91-99		
	TL1000 S	97-98	Z550 C1/C2 Ltd	80-81		
	YAMAHA		KLR 600	84-94		
	XTZ250 Lander Brasil 4B41/2/3	07-09	GPz600 R A1-A6	85-89		
	YBR250 5D11/3/4	07-11	GPX600 R C1-C3/C6-C7	88-96		
	YS250 Fazer Brasil 1S41/2/3	06-08	ZL600 B1	95-97		
	TRIUMPH		ZZR600 D1/D2/D2A/D3	90-92		
	Daytona650	05	ZZR600 ZX 600 E1-E13/E6F	93-07		
	Daytona675	06-16	650 Vulcan S	15-16		
	Daytona 675 R	11-16	ER-6F EX650	06-11		
	Street Triple 675	07-16	ER-6 FN ER650	06-11		
	Street Triple R 675	09-16	KLE650 Versys	07-10		
	Street Triple S 765	17-20	KLE650 Versys	11-14		
	Street Triple R 765	17-20	KLE 650 Verseys	15-16		
	Street Triple RS 765	17-20				
	Tiger 800	11-12				
Tiger 800 XC	11-12					
Tiger 800 XR	18-					
CT014SP	HONDA					
	CB600 F Hornet	98-06				
	CBF600 N	04-06				

PART NO.	MAKE/MODEL	YEAR	PART NO.	MAKE/MODEL	YEAR		
CT016 Contd.	KLR650 A1-A3	87-89	CT017 Contd.	XVS1300 A Midnight Star	07-16		
	KLR 650 KL	08-09		XVS1300 CU Custom	14-16		
	KL650 Tengai	89-92		XV1700 V-Max	09-16		
	KLX650	93-97		XV1900 A Midnight Star	06-12		
	KLR650 C1-C10	95-04		MT-01 1670cc	05-09		
	W650 EJ	99-05		MT-01S 1670cc	09		
	VN700 A1 Vulcan	85		CT018SP	SUZUKI		
	GPX750 F	87-89				RL250 Beamish	78-82
	GPz750 R	85-86				RL325 Beamish	78-82
	VN750	86-94				GS400 B/C	77-78
	Z750 B1/B2	77-78				GS425 EN	79
	Z750 D1	76				GS550	77-82
	Z750 Y1 Ltd	82	GS550 MX/MZ Katana			81-82	
	ZXR750 H1/H2/J1/J2/L1-L3/P1-P7	89-03	GS550 LT/LX			80-81	
	ZXR750 R ZX 750 K1/K2/M1/M2	91-94	GSX550 E GN71D			84-87	
	ZX7RR ZX 750 N1/N2	96-99	GS650 GX/GZ Katana			81-82	
	VN800	95-06	GS650 GTX/GTZ/GTD			81-83	
	VN800 Drifter	99-04	XN85 D Turbo			83	
	W800 EJ all models	11-16	GS700 EF/ESF			85	
	ZL900 A1/A2 Eliminator	85-86	GT750			72-77	
	GPz900 R A1-A8	84-96	GS750			77-79	
	GPZ900 R ZX 900 A11-15	98-02	GSX750 ET/EX			80-81	
	VN900 AGF Classic	06	GSX750 ET/EX			83-86	
	VN900 Classic	07-15	GSX750 SE Katana			84	
	VN900 Classic Special Edition	11-15	GSX750 S/SS GS75X-106815-				
	VN900 Custom	07-15	GSX750 Katana S-2/S-2C GS75X-114747				
	ZX-9R ZX 900 B1-B4	94-97	GS850 G	79-85			
	Z1000 E1/E2 ST-Shaft	79-80	CT019	KAWASAKI			
	Z1000 K1/K2 Ltd	81-82			Z650 B/B2/B3	77-79	
	Z1000 J1/J2/J3	81-83			Z650 C1/C2/C3 Custom	77-79	
	Z1000 R1/R2 Eddie Lawson Replica	83			Z650 D2/D3	79-80	
	GPz1000 RX A1-A3	86-88			Z650 F1/F2/F3/F4	80-83	
	1000GTR ZG 1000 A1-A18	86-03			Z700 A1 Ltd	84	
	ZX10 B1/B2/B3	88-90			ZN700 A1/A2 Ltd	84-85	
	ZL1000 A1	87			GPz750 R1	82	
	GPz1100 B1/B2	81-82			GPz750 A1-A5	83-87	
	GPz1100 A1-A3	82-85			GT750 P1-P5	82-90	
	Z1100 R1	84			GT750 P7/P9	92-96	
	Z1100 A1-A3	81-83			Z750 N1/N2 Spectre	82-83	
	Z1100 D1/D2 Spectre	82-83			ZR750 C1/C2/C3/C4 Zephyr	91-95	
	ZR1100 A1/A2/A3/A4/B1	92-97			ZR750 C5/D1 Zephyr	95-98	
	ZR1100 B5 Zephyr 1100 RS	02			ZR7 ZR 750 F1/F3/F5	99-04	
	ZRX1100 ZX 1100 C1/C2/C3/C4	97-00			ZR-7SZR 750 H1/H2	01-04	
	ZRX1200 R A1/A2/A3/A4/A5/A6F	01-08			Z750 E1/H1/H2/L1-L4	80-84	
	ZRX1200 S B1/B2/B3 ZR 1200	01-03			ZX750 E1/E2 Turbo	84-87	
	SUZUKI				Z1/Z1A/Z1 B	74-76	
	RM250	96-12			Z900 A4/A5	76-77	
	RM250 XCK8	09	Z1000 D1-D3 Z1R	78-80			
	CT017	YAMAHA		Z1000 A1/A2/A3/A4	77-80		
		XS400	82	Z1000 H1	80		
RD500 LC		84-86	CT020	YAMAHA			
RZV500 R 51X		85			WR 250 Z 2T	91-98	
XV 950 Racer Remote Reservoir Rear Shock		15-16			YZ 250 2T	88-20	
XVS 950 A Midnight Star		09-13			YZ 250 FG 270mm Disc	16-18	
XV 950 - XVS		14-15			YZ 250 FGY		
YZFR1 4XV1/2 4XV7/8 5JJ1/8 5PW1/7		98-03			60th Anniversary Edition/270mm Disc	16	
FJ1100		84-85			XVS 400	96	
FJ1200/1200 A		86-95			WR 426 FN/FP 4T	01-02	
XT1200 Z Super Tenere					YZ426 FM/FN/FP 4T	00-02	
ABS/UBS Brake System		10-16			WR 450 F 4T	03-15	
XJR1200		95-98			WR-F 450	16-20	
FJR1300 N/P		01-02			YZ 450 F 4T	03-15	
FJR1300		03-05			YZ-F 450	16-20	
FJR1300 A		06-15			YFZ450 S/T/V/W/X Quad	04-09	
FJR1300 AE		14-15			YFZ450 B/D	13-14	
FJR1300 AS		06-15			YFZ450 RX/RV Quad	09-10	
XJR 1300 C / Racer		15-16			YFZ450 RSEA/RSEB/RSED/RSE	11-14	
XJR1300 L 5EA2/5EA3/5EA4		99			XV 535/535 S Virago	88-03	
XJR1300 M 5EAA/5EAB/5EAC		00			XVS650 Dragstar	97-04	
XJR1300 5EA1/5EA7/5EA9/5EAG		98-00			XVS650 A Dragstar Classic	98-07	
XJR1300 N/P			MT-03 660cc	06-12			
5EAP/5EAS/5EAT/5EAW/5EAV/5EAY		01-02	XT660 X Supermoto 1D21/1D23				
XJR1300 R/S 5WM1/			/1D24/1D26/3S72/10S1/11B1	04-09			
5WM3/5WM5/5WM6/5WM7/5WM9	03-04	XT660 X Supermoto 10S7	10-16				
XJR1300		XT660 R Model Code					
T/V/W/X/Y 5WMA/5WMC/5WMD/5WMF	05-14	5VK1/3/4/6/8/3S62/3S63	04-07				
XJR1300 SP L 5EA5/5EAG/5EA8	99	XT660 R Model Code 5VKA/5VKC/5VKE	08-16				
XJR1300 SP M 5EAD/5EAE/5EAF	00						
XJR1300 SP N 5EAL/5EAM/5EAN	01						

PART NO.	MAKE/MODEL	YEAR	PART NO.	MAKE/MODEL	YEAR
CT023 Contd.	XC-F 350	12-20	CT025 Contd.	- Eng/Frame # 1KT - 000/056-	87
	400EXC Racing	02		TZR250 2XT1 Japan	88
	400EXC-G Racing	02	- Eng/Frame # 1KT - 09-		
	400EXC Racing	05	CT026	APRILIA	
	400EXC	07-09		RS50	06-10
	400EXC-G Racing	05-06		RX50	06-09
	400MXC	02		DERBI	
	400SX Racing	02		GPR50 Nude	04-05
	450EXC Racing	03/05		GPR50 R	97-00
	450EXC-G Racing	03/05		GPR50 Racing	04-05
	450EXC	04-09		GPR50 Replica	99-05
	EXC450 4T/Diaphragm Spring	12		Senda50 4 Plate Clutch	99-05
	EXC-F450 4T/Diaphragm Spring	13-15			
	EXC450 Six Days 4T/Diaphragm Spring	12-15	CT027	KTM	
	450MXC-G Racing	03/05		SX60	98-00
	MXC450	06		SX65	98-21
	450SMR	04-05	CT028	KTM	
	SMR450	06-07		SX85 17"/14" Wheels	03-21
	450SMS	04	SX85 19"/16" Wheels	03-21	
	EXC-F 450 4T/Diaphragm Spring	18-19	CT029	SUZUKI	
	SX450 4T	03-06		VL125 Intruder	00-08
	SX-F 450 Diaphragm Spring	12-20		GN250 NJ41A	85-97
	XC450 Quad 4T	08-09		GW250 Inazuma	13-15
	EXC-F 500 4T/Diaphragm Spring	12-20		GW 250 FL5 Inazuma	15
	EXC-F 500 Six Days 4T/Diaphragm Spring	12-20		GZ250 Marauder	99-08
	520SX Racing	02		SW-1NJ45A	92
	525EXC-G Racing	03/05		TU250 Volty	92-97
	525EXC	03		TU250 Volty NJ45A-115	99-00
	525EXC Racing	05		TU250 Grass Tracker Big Boy	
	525MXC Desert Racing	03/05		NJ47A-117/123	00-01
	MXC525	06		VL250 Intruder	00-01/05-07
	525SMR	04-05		TU250	97-00
	525SX Racing	03/05		VS400 Intruder	94-
SX525	06	VS600 GL		95-97	
XC525 Quad	08-12	GR650 D/XD		83	
540SXS Racing	02	VS700 GL		86-87	
SMR560	06-07	VS750 GL VR51A		85-91	
HUSQVARNA	14-20	VS800 GL		92-97	
FC 250	14-20	VL800 Intruder Volusia		01-05	
TC 250	14-20	C800 Intruder VL 800		06-15	
TE 250	14-20	C800 C Intruder VL 800		07-15	
TE 300	14-20	C800 Intruder VL 800		14	
TX300	18-20	VX800 8 Spring Kit		90-96	
FC 350	14-20	VZ800 Marauder 8 Spring Kit		97-02	
FE 350	14-20	M800 VZ 800 Intruder		05-13	
FX 350	14-20	M800 T VZ 800 Intruder		14-15	
FC 450	14-20	M800 Z VZ 800 Intruder		09-10	
FE 450	14-20	GV1200 Madura		85-86	
FS450	15-20	GV1400 Cavalcade All models		85-88	
FX 450	17-20	VS1400		87-03	
FE 501	14-20	CT029SP		SUZUKI	
CT024	SUZUKI				ST400 Tempter
	DR650 SE		96-97	DR500 X/Z/D	81-83
	XF650 Freewind		97-02	DR600 R SN41A	86-89
	DR750 S/J/SK		88-89	DR600 S SN41A	85-89
	DR 800 SL SR43A SR43B		90-95	DR650 R SP41A	90-91
DR 800 S SR43B	96-97		DR650 RS SP42A	90-91	
CCM			DR650 R SP44A/B	92-93	
R30644 Suzuki Engine	02-04		DR650 RS SP43A/B	91-93	
644DS/Supermoto	04		DR650 R SP45A/B	94-95	
		LS650 Savage	87-97		
CT024SP	SUZUKI		CT030	KTM	
	GS1000 GT/GX	80-81		350EXC	94
	GSX1000 SZ	82		350Super Comp	94-95
	GS1100 GZ	82		380EGS	98-99
	GSX1100 ET/EX/EZ	80-82		400Duke	94-95
	GSX1100 SZ	82		400EGS-E	97
	GSX1100 EFE/EFG/ESF	84-86		400EGS	94/96-97
	GSX 1100 SD	83		400EXC	94/96
	GSX 1100 ESD	83		400LC-4	98
	VL1500 Intruder Legendary Classic	98-03		400LC4-E	00-01
VL1500 C Intruder	05-09	LC4R 400	99		
CT025	YAMAHA		400LSE	97	
	TDR250 3CK1/3CK2 Europe		400LS-E	04	
	- Eng/Frame # 3CK	88-92	400Super Comp	95	
	TZR250 2MA/2XW1/2XW2 Europe				
	- Eng/Frame # 2MA -	87-92			
TZR250 1KT/2AW Japan					

PART NO.	MAKE/MODEL	YEAR	PART NO.	MAKE/MODEL	YEAR	
CT030 Contd.	400Super Comp/EXC	96-99	CT032 Contd.	VN1700 Classic	10-14	
	400RXC-E	96-97		VN 1700 Voyager Custom	11-17	
	SXC400	97		VN2000	04-07	
	400SX-X	98		VN2000 Classic	08-09	
	400SX	99		SUZUKI		
	400SXC	00		M1600 VZ M Marauder	04-05	
	400TXC	98		CT033SP	SUZUKI	
	540SX-C	98-99			SV400 N VK53A	98
	620Duke	94/97			SV400	99-05
	620EGS	94-95			SV400 SN VK53A	98
	620EGS/Adventure	96-97			SV400 SN VK53A	99-05
	620EGS-E	97	DL650 V-Strom		04-06	
	620Enduro Ltd	97	DL650 V-Strom		07-15	
	620EXC	94-95	DL 650 XT V-Strom		15-20	
	620LC-4	98	DL650 V-Strom Xpedition ABS		11	
	620LC4 Competition	99	DL650 GT V-Strom Traveller ABS		09-10	
	620LC4 Super Moto	99	DL650 X V-Strom	04-11		
	620LSE	97	SFV650 Gladius	09-15		
	620RXC-E	96-97	SV650	03-10		
	620Six Days	96	SV650 S Top Fairing	03-15		
	620Super Comp	94-99	SV 650 ABS all models	16-20		
	620SC	00-01	CT034SP	APRILIA		
	SX620	94/97-99		AF1125	87-91	
	SXC620	97		Classic125	95-01	
	620Supermoto	98		MX125	04-06	
	620TXC	98		Pegaso125	91-95	
	625SC	02		RedRose 125 Cast Wheel	87	
	625SMC	04/06		RedRose 125 Spoke Wheel	88-94	
	625SXC	03-04		RS125 2T	92-14	
	640Adventure-R	98-02		RX125	92-98	
	640Duke-E	98		Tuono125	03-04	
	Duke-E640	98		CT035SP	SUZUKI	
	Duke II 640	99-07	RE5 M/A		75-76	
	640LC Rallye Dakar	97	GT550 J/K/L/M/A/B		72-77	
	640LC4	99-00	GS1000 HC/EC/EN/SN/ET		78-80	
	640LC4 Six Days	99	CT036SP		SUZUKI	
	640LC4-E	00-02			GSX600 F	92-97
	640LC4 Adventure	03-06			RF600 R	93-96
	640LC4 Supermoto	03-04			GSX750 F	89-97
	660LC4	97			GSXR750	88-95
	660LC4 Rallye	99-00	CT037SP		SUZUKI	
	660Rallye	01-03		RG400 Walter Wolf	85-87	
	660Rallye factory	04	RG500 G/CH	85-87		
	660SM Factory Replica	02-03	CT038SP	SUZUKI		
	660SMC	03-04		T20 Super Six	66-68	
	660SMS	04	CT039	YAMAHA		
	690Rally Factory Replica	07-09		AG100 E Farm Bike	93	
CT031	HONDA			AG100 J 3HAA	82	
	CB500 T Twin	75-77		AS3 125	71-72	
	CBX750 FE	84-85		DT100	76-80	
	VF750 FD/FE	83-85		RS100 - 478	75-76	
	VF750 SC V45 Sabre	82		YZ100 E/F/G/H/J/K	78-83	
	VF750 CH	87		DT125	74	
	VT750 C Shadow	83		DT125/125 F	76-77	
	XLV750 R RD/RF	83-88		DT125 E	78-79	
	VF1000 F	84-86		DT125 MX	80-81	
	VT1100 Shadow	87-98	RD 125	73-74		
	VT1100 C2	95-05	RD125 DX	75-76		
	VT1100 C3	98-00	RS125/RS 125 DX	75-76		
CT032	KAWASAKI		SR125 SE	81-83		
	ZG1300	84-86	SR125	89-03		
	VN1500	88-96	TW125 5EK 4 Friction Plate Type	99-02		
	VN1500	88-92	TW125 5RS 5 Friction Plate Type	03-04		
	VN1500 C	94-95	TY125	80-82		
	VN1500 D	96-98	XT125	82-83		
	VN1500 G	98-99	YZ125 C/D/E/F/G/H 2T	76-81		
	VN1500 E Classic	98-99	DT175	74-77		
	VN1500 Drifter	99-04	DT175 MX	78-81		
	VN1500 Classic Fi	00-04	IT175 G/H/J	80-82		
	VN1500 Classic Tourer Fi	00-03	TY175	77-80		
	VN1500 Mean Streak	02-04	AG200 E 3GX6	93		
	VN1600 Classic	03-08	IT200 L	84		
	VN1600 Mean Streak	04-08	RD200 DX	76-81		
	VN1600 Classic Tourer	05-08				
	VN1700 Voyager	09-16				
	VN1700 Classic Tourer	09				
	VN 1700 Vulcan Nomad	15-16				
	VN1700 Classic	09				

PART NO.	MAKE/MODEL	YEAR	PART NO.	MAKE/MODEL	YEAR
CT054SP Contd.	FZS600 Fazer FZS600 Fazer/SP YZF600 Thunder Cat	98-99 00-03 96-03	CT069	KTM 690 Duke 690 Duke R 690 Enduro 690 R Enduro 690 SMR 690 SM 690 SMC 690 SMC-R 690 SM-LE Limited Edition	08-14 10-11/13-14 08-14 09-14 07-11 07-09 08-11 12-18 10-11
CT055SP	SUZUKI GSXR600 SRAD GSXR750 SRAD RF900 RR GSX1100 G GSXR1100 GSXR1100 W GS1200 SSK/ZK1 GV78A GSF1200 Bandit GSF1200 Bandit 6 Piston caliper GSF1200 S Faired Bandit GSF1200 SAV ABS Bandit GSF1200 S Faired Bandit GSF1200 Bandit GSF1200 S Faired Bandit GSX1200 F Inazuma GV76A	97-00 96-99 94 91-94 89-92 93-96 01 96-00 01-05 96-00 97 01-05 06 06 98-99	CT070SP	KAWASAKI KX 60 KX 65 KX 80 E1/E2 KX 80 KLX 110 KH 125 KH 125-L1 Z 125 Z 125 Pro MODENAS Kriss 110/115 SUZUKI RM 60 K3 RM 65 DR-Z 110 110cc Smash	83-03 00-21 83-84 85-87 02-21 82-98 83 16-20 16-20
CT056SP	HONDA ST1100 Pan European	90-02	CT071SP	HONDA NSR 250 R NSR 250 R6 NSR 250 R8 NSR 250 R9 SUZUKI RGV 250 T RGVR SP	94 89 90-92 92
CT057SP	KTM SX65	09-15	CT072SP	SUZUKI GSXR 750 RG Dry Clutch - Sintered Clutch	86
CT058	KAWASAKI KE125 A7-A12 KH125 A1-A4 KX125 B1/B2/C1 KDX175 A1-A3 KE175 B1/B2/B3 KE175 D2-D5 KDX200 A1/A2/A3 KH250 B4/B5 KT250 A/A2 S2/S2A350cc S3/S3A400cc KH400 A3-A5	80-85 77-81 82-84 80-82 76-78 79-83 83-85 79-80 75-76 72-73 74-75 76-78	CT073	HONDA GL1800 A1-A5 Goldwing GL1800 5-9/A Goldwing	01-05 06-15
CT059	KTM 250 EXC-G Racing 250 EXC Racing 400 EXC 400 MXC SX 400 450 EXC Racing 450 EXC-G Racing 450 MXC-G Racing 520 EXC SX 520 525 EXC Racing 525 EXC-G Racing 525 MXC Desert Racing 525 MXC-G Racing 525 SX Racing	04 04 00-02 01 00-01 04 04 04 00-01 00-01 04 04 04 04 04 04	CT074	YAMAHA XS650 XS650 XS650SE	75-79 80-81 79-81
CT060	YAMAHA IT250 L TY250 S/R TY250 R YTZ250 TRI Z YZ250 2T IT490 L YZ490 WR500 ZD	84 84-90 91-92 85-86 82-87 84 82-88 92-93	CT075	KTM 350 MX 2T 350 Enduro 2T EXC 400 LC4 Engine 400 RXC-E SC 400 LC4 Engine 500 MX 2T 500 MX 4T LC 500 Enduro 2T 500 Enduro 4T LC 600 MX 4T LC 600 Enduro 4T LC 620 RXC-E	89 89 93-95 95 95 89 89 89 89 89 89 95
CT061	YAMAHA WR125 R WR125 X Supermoto YZF-R 125	09-15 09-16 08-13	CT076SP	HONDA CB 750 K1 From E.No:-1056080 CB 750 K2/K3/K4/K5 CB 750 K6/K7/F2 GL 1000 K1/K2 From E.No: -2002384	70-71 71-75 76-78 77-78
CT066SP	HONDA CBX1000 Z/B/C	79-81	CT077SP	YAMAHA XS1100/1100 S	78-81
CT068SP	HONDA GL1500 Goldwing GL1500 C F6C GL1500 SE Goldwing	88-96 97-03 97-00			

PART NO.	MAKE/MODEL	YEAR	PART NO.	MAKE/MODEL	YEAR
CT078SP	HONDA		CT090SP Contd.	YFM 350 ERG	95
	CB 750 KZ	80		YFM 350 UH/UJ	96-97
	CB 750 F	79-82		YFM 350 Raptor	04-09
	CB 900 F	80-85		YFM 400 FW Kodiak	93-00
	CB 1100 R	80-82		YFM 400 FP Big Bear	03-04
CT079SP	YAMAHA		CT091	AJP	
	YZF- R1	15-16		PR5 250 Trials	13-17
	YZF- R1 M	15-16		PR5 250 Supermoto	13-17
	YZF- R1 60th Anniversary Edition	16		PR5 250 Enduro	13-17
MT-10 998cc	16	PR5 250 Extreme	13-17		
CT080	YAMAHA		CT092	HONDA	
	YZF R3	15-21		CRF 450 RH 6 Spring	17-20
MT-03	12-20	CRF 450 RXH 18" Rear Wheel	17-20		
CT081SP	HONDA		CT701SP	HARLEY DAVIDSON®	
	CRF 250 L	13-20		FLHR Road King	93-97
	CRF 250 ME Supermoto	14-15		FLHS Electra Glide Sport	90-94
	CRF 250 RL/RLA Rally	17-20		FLHT Electra Glide Standard	94-97
	CB 300 FAF/FAG ABS	15		FLHTC Electra Glide Classic	91-97
	CBF 300 NA	18-20		FLHTC Touring Electra Glide Classic	90
CBR 300 RA	14-19	FLHTCI Electra Glide Classic		96-97	
CT083	BMW			FLHTCU Ultra Classic	91-97
	G 650 GS R13	08-16		FLST Softail Heritage	90
	G 650 GS Sertao R13	10-14		FLSTC Heritage Softail Classic	91-97
G 650 XCountry K15	08-10	FLSTC Softail Heritage Classic		90	
CT084SP	HONDA			FLSTF Fat Boy	91-97
	Monkey 125	19-20		FLSTF Softail Fat Boy	90
MSX 125 Grom	13-21	FLSTN Heritage Softail Nostalgia		93-96	
CT085	BMW			FLSTS Heritage Springer	97
	F650 GS Late type plates			FLTC Tour Glide Classic	90-92
	2 x 13mm/7 x 14mm ears	07-17		FLTCU Tour Glide Ultra Classic	91-95
	F700 GS Late type plates			FLTCU Tour Glide Classic Ultra	90-96
	2 x 13mm/7 x 14mm ears	11-17		FXD Dyna Super Glide	95-97
	F800 GS Late type plates			FXDB Dyna Daytona	92
	2 x 13mm/7 x 14mm ears	08-11	FXDB Dyna Sturgis	91	
	F800 GS Late type plates		FXDC Super Glide Custom	92	
	2 x 13mm/7 x 14mm ears	12-19	FXDL Dyna Low Rider	93-97	
	F800 GS Adventure Late type plates		FXDS-CONV Dyna Glide Convertible	93	
	2 x 13mm/7 x 14mm ears	12-19	FXDWG Dyna Wide Glide	93-97	
	F800 GT Late type plates		FXST Softail Standard	90	
	2 x 13mm/7 x 14mm ears	07-19	FXSTC Softail Custom	90-97	
	F800 S Late type plates		FXSTS Springer Softail	90-97	
	2 x 13mm/7 x 14mm ears	07-19	XL1200 Sportster 1200	91-03	
	F800 ST Late type plates	07-19	XL1200 Forty Eight Anniversary	18	
	F800 GT Early type plates 14mm ears	04-06	XL1200C Sportster 1200 Custom	96-20	
	F800 S Early type plates 14mm ears	04-06	XL1200C ANV Sportster 1200 Custom Anniversary	13	
F800 ST Early type plates 14mm ears	04-06	XL1200CA Sportster 1200 Custom Limited	13-17		
CT086SP	TRIUMPH		XL1200CP Sportster 1200 Custom H-D1	11-16	
	Bonneville T100 900cc LC	16-18	XL1200CX 1200 Roadster	16-20	
	Bonneville T100 Black 900cc LC	16-18	XL1200L Sportster 1200 Low	06-11	
	Street Cup 900cc LC	16-20	XL1200N Nightster	07-12	
	Street Scrambler 900cc LC	16-20	XL1200R Sportster 1200 Roadster	04-09	
	Street Twin 900cc LC	16-18	XL1200S Sportster 1200 Sport	96-03	
	Bonneville T120 1200cc LC	16-18	XL1200T SuperLow 1200T	14-20	
	Bonneville T120 Black 1200cc LC	16-18	XL1200V Seventy-Two	12-16	
	Bonneville Bobber 1200cc LC	17-20	XL1200X Forty Eight	10-20	
	Bonneville Black 1200cc LC	18-20	XL50 50th Anniversary Sportster	07	
	Thruxton 1200cc LC	16-20	XL883 Sportster 883	91-09	
	Thruxton R 1200cc LC	16-20	XL883C Sportster 883 Custom	98-10	
			XL883DLX Sportster 883 Deluxe	91-95	
			XL883HUG Sportster 883 Hugger	91-03	
			XL883L Sportster 883 SuperLow	05-20	
			XL883N Iron 883	09-20	
	CT087SP	HUSQVARNA		XL883R 883 Roadster	11-15
TC85		18	XL883R 883R Sportster	02-10	
KTM			XR1200 Sportster 1200	08-10	
SX 85	18-20	XR1200X XR1200X	10-13		
CT088	YAMAHA		CT702SP	HARLEY DAVIDSON®	
	MT 125	14-16		FLHTCUTG Tri Glide Ultra Classic	14-16
YZF-R 125	14-16	FLRT Freewheeler		15-16	
CT090SP	YAMAHA			FLHTK 103 CVO Limited	14
	YFM 350 F Big Bear	86-93		FLHTCUL Ultra Classic Low	15-16
	YFM 350 F	94-97		FLHTCUL TC Ultra Classic Low Twin-Cooled	15-16
	YFM 350 X	92-04		FLHTKL Ultra Limited Low	15-16
YFM 350 ER	92-94	FLHR Road King		17-20	

PART NO.	MAKE/MODEL	YEAR	PART NO.	MAKE/MODEL	YEAR
CT702SP Contd.	FLHRC Road King Classic	17	CT703SP Contd.	FLSTFB 103 Fat Boy LO	12-17
	FLHTCU Electra Glide Ultra Classic	17-20		FLSTFB 103 ANV Fat Boy LO ANV	13
	FLHTK Ultra Limited	17-20		FLSTFI Shrine Fat Boy Shrine	05
	FLHTKL Ultra Limited Low	17-20		FLSTN 103 Softail Deluxe	12-15
	FLHX Street Glide	17-20		FLSTN Softail Deluxe	05
	FLHXS Street Glide Special	17-20		FLSTN Softail Deluxe	16-17
	FLTRU Road Glide Ultra	17-20		FLSTSC Springer Classic	05-06
	FLTRX Road Glide	17-20		FLTRI Road Glide	04-05
	FLTRXS Road Glide Special	17-20		FLTRU Road Glide Ultra	11-13
	FLHRXS Road King Special	17-20		FLTRX 103 Road Glide Custom	11-13
	FLHTK Ultra Limited Shrine Edition	18		FXD Dyna Super Glide	04-05
	FLHTK Ultra Limited Anniversary	18		FXDB 103 Dyna Street Bob	14-16
	FLHX Street Glide Anniversary	18		FXDB 103 Dyna Street Bob 103	17
	FLHXS Street Glide Special Anniversary	18		FXDBA 103 Dyna Street Bob H-D1	13-15
	FLSS Softail Slim S	16		FXDBC 103 Dyna Street Bob Limited	16
	FLSTFBS Fat Boy S	16-17		FXDC 103 Dyna Super Glide Custom	14
FLSS Slim S	17	FXDC Dyna Super Glide Custom	05		
FLSTFBS Fat Boy S	17	FXDF 103 Dyna Fat Bob	12-17		
CT703SP	HARLEY DAVIDSON®		FXDI Dyna Super Glide	04-05	
	FLHR Road King	15-16	FXDL 103 Dyna Low Rider	14-16	
	FLHR Road King	98-03	FXDL 103 Low Rider 103	17	
	FLHRC Road King Classic	14-16	FXDL Dyna Low Rider	04-05	
	FLHRCI Road King Classic	98-99	FXDWG 103 Dyna Wide Glide	12-16	
	FLHT Electra Glide Standard	98-03	FXDWG 103 Dyna Wide Glide 103	17	
	FLHTC Electra Glide Classic	98-03	FXDWGI Dyna Wide Glide	04-05	
	FLHTCU Ultra Classic	14-16	FXDX Dyna Super Glide Sport	04-05	
	FLHTCU TC Ultra Classic Twin-Cooled	14-16	FXS 103 Blackline	11-13	
	FLHTCUI Ultra Classic	98-03	FXSB 103 Softail Breakout	13-16	
	FLHTK Ultra Limited	14-16	FXSB Breakout	17	
	FLHX Street Glide	14-16	FXST 1BH Softail Standard	04-06	
	FLHXS Street Glide Special	14-16	FXST Softail Standard	12-15	
	FLSTC Heritage Softail Classic	98-03	FXSTB Night Train	04-05	
	FLSTF Fat Boy	98-03	FXSTD Softail Deuce	04-05	
	FLSTS Heritage Springer	98-03	FXSTS Springer Softail	04-05	
	FLTR Road Glide	98-03	FLD Dyna Switchback	12-16	
	FLTRU Road Glide Ultra	15-16	FLHR Road King	06-11	
	FLTRX Road Glide	15-16	FLHRC Road King Classic	06-11	
	FLTRXS Road Glide Special	15-16	FLHRS Road King Custom	06-07	
	FXD Dyna Super Glide	98-03	FLHT Electra Glide Standard	06-10	
	FXDL Dyna Low Rider	98-03	FLHTC Electra Glide Classic	06-11	
	FXDS-CONV Dyna Glide Convertible	99-00	FLHTCU Ultra Classic	06-11	
	FXDWG Dyna Wide Glide	98-05	FLHX Street Glide	06-11	
	FXDX Dyna Super Glide Sport	99-03	FLS Softail Slim	12-15	
	FXDXT Dyna Super Glide T-Sport	01-03	FLST Heritage Softail	06-09	
	FXST Softail Standard	99-03	FLSTC 103 Heritage Softail Classic	06-15	
	FXSTB Night Train	99-03	FLSTC Heritage Softail Classic Anv	13	
	FXSTC Softail Custom	98-99	FLSTF Fat Boy	06-15	
	FXSTD Softail Deuce	00-03	FLSTFB Fat Boy LO	10-15	
	FXSTI Softail Standard	01-03	FLSTFB Fat Boy LO Anv	13	
	FXSTS Springer Softail	98-03	FLSTN Softail Deluxe	06-15	
	FLD 103 Dyna Switchback	12-16	FLSTSB Cross Bones	08-11	
	FLHR 103 Road King	11-13	FLSTSC Springer Classic	06-07	
	FLHR Road King	04-05	FLTR Road Glide	06-09	
	FLHR ANV Road King ANV	2013	FLTRX Road Glide Custom	10-11	
	FLHRC 103 Road King Classic	11-13	FXCW Rocker	08-09	
	FLHRCI Road King Classic	04-05	FXCWC Rocker C	08-11	
	FLHRI Road King	04-05	FXD Dyna Super Glide	07-10	
	FLHRS Road King Custom	04-05	FXD35 Dyna 35th Anniversary Super Glide	06	
	FLHT Electra Glide Standard	04-05	FXDB Dyna Street Bob	07-17	
	FLHTC 103 Electra Glide Classic	11-13	FXDBC Dyna Street Bob Limited	16	
	FLHTC Electra Glide Classic	04-05	FXDC Dyna Super Glide Custom	07-14	
	FLHTCI Ultra Classic	2005	FXDC ANV Dyna Super Glide Custom ANV	13	
	FLHTCU 103 Ultra Classic	11-13	FXDCI Dyna Super Glide Custom	06	
	FLHTCUI Ultra Classic	04	FXDF Dyna Fat Bob	08-17	
	FLHTI Electra Glide Standard	04-05	FXDI Dyna Super Glide	06	
	FLHTK Electra Glide Ultra Limited	10-13	FXDL Dyna Low Rider	06-17	
	FLHTK ANV Electra Glide Ultra Limited ANV	13	FXDWG Dyna Wide Glide	06-16	
	FLHX 103 Street Glide	11-13	FXDWG ANV Dyna Wide Glide		
	FLS 103 Softail Slim	12-15	105th Anniversary	08	
	FLS Slim	17	FXSB Softail Breakout	13-15	
	FLS Softail Slim	16	FXST Softail Standard	07-11	
	FLSTC 103 Heritage Softail Classic	13-15	FXSTB Night Train	06-09	
FLSTC 103 ANV Heritage Softail Classic ANV	13	FXSTC Softail Custom	07-10		
FLSTC Heritage Softail Classic	04-05	FXSTD Softail Deuce	06-07		
FLSTC Heritage Softail Classic	16-17	FXSTS Springer Softail	06		
FLSTCI Shrine Heritage Softail Classic Shrine	05	FLS 103 Softail Slim	13-15		
FLSTF 103 Fat Boy	12-15	FLSTC 103 Heritage Softail Classic	13-15		
FLSTF Fat Boy	04-05	FLSTFB Fat Boy LO	13-15		
FLSTF Fat Boy	16-17	FLSTF 103 Fat Boy	15		
		FLS Softail Slim	16		

PART NO.	MAKE/MODEL	YEAR	PART NO.	MAKE/MODEL	YEAR		
CT703SP Contd.	FLSTN Softail Deluxe	16	CT708SP Contd.	FLHCS Heritage Classic 114 Anniversary	18		
	FLSTC Heritage Softail Classic	16-17		FXFBS Fat Bob 114	18		
	FLSTF Fat Boy	16-17		FLFBS Fat Boy 114	18		
	FLSTFB Fat Boy LO	16-17		FXBRS Breakout 114	18-20		
	FLS Slim	17		FXBRS Breakout 114 Anniversary	18		
	FLSTN Deluxe	17					
CT704SP	HARLEY DAVIDSON®		CT709SP	HARLEY DAVIDSON®			
	FLH Electra Glide	Early 84		XL1200 Sportster 1200	90		
	FLH Electra Glide Shrine Shovelhead	Early 84		XL883 Sportster 883	86-90		
	FLHS Electra Glide Sport	Early 84		XL883 Sportster 883 Deluxe	86-90		
	FLHT Electra Glide	Early 84		XL883HUG Sportster 883 Hugger	87-90		
	FLHT Electra Glide Classic	Early 84		XLCH Sportster 1000	71-80		
	FLT Tour Glide Classic	Early-84		XLH 1100 Sportster 1100	86-87		
	FLT Tour Glide	Early-84		XLH Sportster 1000	84-85		
	FLH Electra Glide Shrine Shovelhead	83		XLH Sportster 1000	79-84		
	FLH Electra Glide	81-83		XLH Sportster Standard 1000	71-80		
	FLHC Electra Glide Classic	81-82		XLH883DLX Sportster 883 Hugger Deluxe	88-89		
	FLHC Electra Glide Classic	81		XLS Sportster Roadster 1000	84-85		
	FLHS Electra Glide Sport	81-83		XLS Sportster Roadster 1000	81-84		
	FLHS Heritage Electra Glide	81		XR1000 Sportster	84		
	FLHT Electra Glide Standard	83		XR1000 Sportster	83-84		
	FLHT Electra Glide Classic	83					
	FLHT Electra Glide	83					
	FLHTC Electra Glide Classic	83					
	FLT Tour Glide	81-83					
	FLT Tour Glide Classic	80-83					
	FXB Super Glide B80	81-82					
	FXDG Dyna Glide Glide Custom	83					
	FXE Super Glide	81-83					
	FXEF Super Glide Fat Bob	81					
	FXSB Low Rider	83-84					
	FXST Softail Standard	Early 84					
	FXWG Wide Glide	81-84					
	CT705SP CT705SP	HARLEY DAVIDSON®					
		FLH Electra Glide		84-88			
		FLH Electra Glide Shrine Shovelhead		84			
		FLHS Electra Glide Sport		84-89			
		FLHT Electra Glide Classic		84-89			
		FLHTCU Electra Glide Classic Ultra		89			
FLST Softail Heritage		86-89					
FLSTC Softail Heritage Classic		87-89					
FLT Tour Glide Classic		84-89					
FLT Tour Glide		84					
FLTUCU Tour Glide Classic Ultra		89					
FXE Super Glide		84					
FXEF Super Glide Fat Bob		85					
FXSB Low Rider		84-85					
FXST Softail Standard		84-89					
FXSTC Softail Custom	86-89						
FXSTS Softail Springer	88-89						
FXWG Wide Glide	84-86						
CT706SP	HARLEY DAVIDSON®						
	VRSCAW V-Rod Wide Tire	08					
	VRSCAWA V-Rod Wide Tire W/ABS	08					
	VRSCD Night Rod	08					
	VRSCDA Night Rod W/ABS	08					
	VRSCDXA Night Rod Special W/ABS	08					
	VRSCDX Night Rod Special	08-17					
	VRSCAW V-Rod	09-10					
	VRSCF V-Rod Muscle	09-17					
VRSCDX ANV Night Rod Special Anv	12						
CT707SP	HARLEY DAVIDSON®						
	VRSCA V-Rod	02-07					
	VRSCSE CVO V-Rod	05-06					
	VRXSE CVO VR Destroyer	06					
	VRSCR Street Rod	06-07					
VRSCX Screamin' Eagle V-Rod	07						
CT708SP	HARLEY DAVIDSON®						
	FLHTCUTG Tri Glide Ultra	17-20					
	FLRT Freewheeler	17-18					
	FLHTCUTG Tri Glide Ultra Anniversary	18					
	FLHP Road King Police	17					
	FLHTP Electra Glide Standard Police	17					
	FLFBS Fat Boy 114 Anniversary	18-20					
FLHCS Heritage Classic 114	18-20						

BRAKE LINES



APRILIA



		OE Replacement Brake Lines (Front)	Race Standard Brake Lines (Front)	OE Replacement Brake Lines (Rear)
RS 250	94-97	BLM8008-3F	BLMR8008-2F	BLM8008-1R
RS 250	98-99	BLM8009-3F	BLMR8009-2F	BLM8009-1R
RS 250	00-02	BLM8010-3F	BLMR8010-2F	BLM8010-1R
Pegaso 650	93-96	BLM8002-1F		BLM8002-1R
Pegaso 650	97-03	BLM8003-1F		BLM8002-1R
Pegaso Strada 650	97-09	BLM8004-1F		BLM8004-1R
RST 1000 Futura	01-04	BLM8013-3F	BLMR8013-2F	BLM8013-1R
RSV 1000 Mille	98-03	BLM8015-3F	BLMR8015-2F	BLM8015-1R
RSV 1000 Mille R	03-04	BLM8017-3F	BLMR8017-2F	BLM8017-1R
RSV 1000 Mille Tuono	03-09	BLM8018-3F	BLMR8018-2F	BLM8018-1R
RSV 1000 R + RSV4 Non ABS	08-13	BLM8019-3F	BLMR8019-2F	BLM8019-1R
RSV 1000 R Factory My	04-09	BLM8020-3F	BLMR8019-2F	BLM8020-1R
SL 1000 Falco	99-03	BLM8022-3F	BLMR8022-2F	BLM8022-1R
Tuono V4 R + V4 R APRC	11	BLM8023-2F	BLMR8023-2F	BLM8023-1R
BIMOTA				
SB6	ALL	BLM8024-3F	BLMR8024-2F	BLM8024-1R
BMW				
F650	94-00	BLM8025-1F		BLM8025-1R
F650 GS/Dakar Non ABS	00-07	BLM8026-1F		BLM8026-1R
K75 C Full Front	86-88	BLM8039-3F		
K75 RT	91-96	BLM8040-3F		BLM8040-1R
K75 S ABS	90-96	BLM8041-2F		BLM8041-2R
K75 S Full Rear	86-90	BLM8042-3F		BLM8042-1R
K100/K100 RS/K100 RT Front	83-88	BLM8027-3F		
K100 LT ABS	90-91	BLM8028-2F		BLM8028-2R
K100 LT Non ABS	87-88	BLM8029-3F		BLM8029-1R
K100 RS Full Front	86-90	BLM8030-3F		BLM8030-1R
K100 RS 16V ABS	90-93	BLM8031-4F		BLM8031-2R
K100 RS ABS	88-90	BLM8032-4F		BLM8032-2R
K100 RS Flexible Front	86-90	BLM8033-3F		BLM8033-1R
K1100 LT ABS	89-99	BLM8034-4F		BLM8031-2R
K1100 RS 16V ABS	94-97	BLM8031-4F		BLM8031-2R
K1100 RS 16V ABS 2	94-97	BLM8036-4F		BLM8036-1R
K1100 RS Non ABS	92-93	BLM8037-3F		
K1200 RS ABS	97-01	BLM8038-6FR		Supplied as front & rear kit complete
R45/R65 Flexible Front	78-80	BLM8074-3F		
R45/R65 Full Front	79-85	BLM8075-3F		
R65 (M/C-Bundy)	85-88	BLM8076-1F		
R65 Flexible Front	81-85	BLM8077-3F		
R65 Flexible Front	85-88	BLM8078-1F		
R65 Full Front	81-85	BLM8079-3F		
R75 Gears	75	BLM8080-2F		
R75/6 Front ATE Calipers	76	BLM8081-1F		
R75/6 Full Front	75	BLM8082-1F		
R75/6 Long Front	74	BLM8083-1F		
R80/7 Flexible Front	77-80	BLM8084-2F		
R80/7 Full Front	77-80	BLM8085-2F		
R80 GS Flexible Front	86-94	BLM8086-1F		
R80 GS Full Front	80-85	BLM8087-1F		
R80 R Flexible Front	94	BLM8088-1F		
R80 RT	84-90	BLM8089-2F		BLM8089-1R
R80 RT Flexible Front	82-84	BLM8090-3F		
R80 ST Flexible Front	82-85	BLM8091-1F		
R100/R100 GS Full Front	80-84	BLM8043-3F		
R100 GS	91-96	BLM8044-1F		
R100 GS Flexible Front	91-96	BLM8044-1F		
R100 RS	87-93	BLM8046-4F		
R100 RS Full Front	77-80	BLM8047-2F		
R100 RS Flexible Front	81-86	BLM8048-3F		BLM8048-1R
R100 RR Flexible Front	80	BLM8049-2F		
R100 RT Full Front	80	BLM8050-2F		

FRONT / AVANT / VORN / FRENTE / ANTERIORE

REAR / ARRIÈRE / HINTEN / POSTERIOR / POSTERIORE

BRAKE
LINES

BRAKE LINES



BMW



		OE Replacement Brake Lines (Front)	Race Standard Brake Lines (Front)	OE Replacement Brake Lines (Rear)
R100 S ATE Flexible Front	77-80	BLM8051-2F		BLM8051-1R
R100 S Flexible Front	76-80	BLM8052-3F		BLM8052-1R
R100 T Flexible Front	79-80	BLM8053-2F		
R1100 GS ABS	94-00	BLM8054-4F		BLM8054-1R
R1100 GS Non ABS	94-00	BLM8055-3F		
R1100 R	95-96	BLM8056-4FR		Supplied as front & rear kit complete
R1100 R	97-01	BLM8057-4FR		Supplied as front & rear kit complete
R1100 RS ABS	93-00	BLM8058-5FR		Supplied as front & rear kit complete
R1100 RT ABS	95-00	BLM8059-5FR		Supplied as front & rear kit complete
R1100 S ABS	98-04	BLM8060-5FR		Supplied as front & rear kit complete
R1100 S Boxer Cup Replica	11/03-	BLM8061-4FR		Supplied as front & rear kit complete
R1100 S Non ABS	01/98-01/01	BLM8062-4FR		Supplied as front & rear kit complete
R1100 S Non ABS	02/01-11/03	BLM8063-4FR		Supplied as front & rear kit complete
R1150 GS ABS (Retaining Hardline)	11/99-02	BLM8064-5FR		Supplied as front & rear kit complete
R1150 GS ABS 2 (Retaining Hardline)	11/99-02	BLM8065-5FR		Supplied as front & rear kit complete
R1150 GS Non ABS (Replacing Hardline)	11/99-02	BLM8066-3F		BLM8066-1R
R1150 GS Non ABS (Retaining Hardline)	11/99-02	BLM8067-3F		BLM8066-1R
R1150 GS Non ABS Evo Brakes	03-04	BLM8068-4F		BLM8066-1R
R1150 GS Non ABS Evo Brakes	11/99-02	BLM8069-4F		BLM8066-1R
R1150 R	00-02	BLM8070-5FR		Supplied as front & rear kit complete
R1150 RT ABS	01	BLM8071-4F		
R1200 C ABS	96-05	BLM8072-4F		BLM8072-1R
R1200 R ABS	11-13	BLM8073-4F		BLM8073-1R
R850 C ABS	00-01	BLM8072-4F		BLM8072-1R
R850 GS ABS	00-01	BLM8054-4F		BLM8054-1R
R850 R ABS	97-01	BLM8094-5FR		Supplied as front & rear kit complete
R850 R	95-96	BLM8056-4FR		Supplied as front & rear kit complete
R850 R	97-01	BLM8057-4FR		Supplied as front & rear kit complete
R90 Flexible Front	76	BLM8097-2F		
R90S Pre Brembo Flexible Front		BLM8098-2F		
R90S Pre Brembo Full Front		BLM8099-2F		
S1000 RR Non ABS	10-14	BLM8100-3F	BLMR8100-2F	BLM8100-1R
CAGIVA				
Raptor 650 (Naked)	03-06	BLM8107-3F		
Elefant 750	87-88	BLM8103-1F		BLM8103-1R
Elefant 900	93-00	BLM8104-3F		BLM8104-1R
Elefant 900 IE	91-92	BLM8103-1F		BLM8103-1R
V-Raptor 1000 (Faired)	03-	BLM8108-3F		BLM8108-1R
DUCATI				
M 400 Monster	94-02	BLM8141-1F		BLM8141-1R
Pantah 500/600SL	80-84	BLM8147-3F		BLM8147-1R
Pantah 600TL	84-85	BLM8148-3F		BLM8148-1R
600 SS	94-98	BLM8116-1F		BLM8116-1R
M 600 Monster	94-02	BLM8141-1F		BLM8141-1R
M 620 Monster	02-04	BLM8143-3F	BLMR8143-2F	BLM8143-1R
M 696 Monster	06-08	BLM8144-2F		BLM8144-1R
748 Biposta/Strada	95-98	BLM8117-3F	BLMR8117-2F	BLM8117-1R
748 Biposta/Strada/SPS	99-03	BLM8111-3F	BLMR8118-2F	BLM8111-1R
748R	99-02	BLM8119-3F	BLMR8119-2F	BLM8119-1R
749	03-05	BLM8109-2F		BLM8109-1R
749S	04-05		BLMR8120-2F	BLM8120-1R
750/906 Paso	86-94	BLM8121-3F		BLM8121-1R
750 GT	74	BLM8122-1F		
750 SS	91-93	BLM8116-1F		BLM8116-1R
750 SS	94-97		BLMR8124-2F	BLM8116-1R
750 SS	98-02		BLMR8125-2F	BLM8125-1R
M 750 Monster	96-02	BLM8141-1F		BLM8141-1R
851 SP/888 Strada	92-93		BLMR8126-2F	BLM8126-1R
851 SP3	91	BLM8127-3F		BLM8127-1R
851 Strada	88-92	BLM8128-3F		BLM8128-1R
848	07-		BLMR8110-2F	

FRONT / AVANT / VORN / FRENTE / ANTERIORE

REAR / ARRIÈRE / HINTEN / POSTERIOR / POSTERIORE

BRAKE
LINES

BRAKE LINES



DUCATI



		OE Replacement Brake Lines (Front)	Race Standard Brake Lines (Front)	OE Replacement Brake Lines (Rear)
900 Superlight	94-97		BLMR8129-2F	BLM8129-1R
900 SS	94-97		BLMR8129-2F	BLM8130-1R
900 SS	98-02		BLMR8125-2F	BLM8125-1R
900 SS Supersport	77		BLMR8132-3F	BLM8132-1R
900 SS/Superlight	91-93		BLMR8129-2F	BLM8133-1R
M 900 Monster	93-99	BLM8146-3F	BLMR8146-2F	BLM8146-1R
907 IE	91-94	BLM8134-3F		BLM8134-1R
916 Biposta/SP	98-01	BLM8111-3F	BLMR8118-2F	BLM8111-1R
916 Biposta/Strada	94-97	BLM8117-3F	BLMR8117-2F	BLM8117-1R
ST2	97-03	BLM8151-3F		BLM8151-1R
ST4	98-03	BLM8152-3F		BLM8152-1R
996	98-01	BLM8111-3F	BLMR8111-2F	BLM8111-1R
996 R	00-01	BLM8119-3F	BLMR8119-2F	BLM8119-1R
S4/S4R Monster	00-08		BLMR8149-2F	BLM8146-1R
999 R	03-05	BLM8138-2F	BLMR8138-2F	BLM8138-1R
998	01-03	BLM8111-3F	BLMR8111-2F	BLM8111-1R
999	02-05		BLMR8113-2F	BLM8113-1R
Sport Classic 2006	06	BLM8150-3F		BLM8150-1R
1098/1098R/1098S/1198/1198S	07	BLM8114-3F	BLMR8114-2F	BLM8114-1R
HONDA				
CBR 125 R	05-13	BLM1057-1F		BLM1057-1R
NSR 125 RK-R3	90-03	BLM1110-1F		BLM1110-1R
XLR 125	00-03	BLM1159-1F		
MSX125	16-17	BLM1167-1F		BLM1167-1R
MTX 200 RWF	85-86	BLM1105-1F		
CB 250 Hornet Import	96	BLM1010-1F		BLM1010-1R
CBR 250 R	11-13	BLM1058-1F		BLM1058-1R
CBR 250 RRJ-RRJ (MC19)	88-89	BLM1059-1F		
CBR 250 RRM-RRX (MC22)	90-99		BLMR1060-2F	BLM1060-1R
CBX 250 RSE	84-86	BLM1082-1F		
NSR 250 PGM4		BLM1113-2F		BLM1113-1R
VT 250 FD	83-87	BLM1144-1F		
CBR300R	15-17	BLM1170-1F		BLM1170-1R
CB1 (Super 400)	92-96	BLM1000-2F	BLMR1000-2F	BLM1000-1R
CBR 400 RRJ-RRK (NC23) Triarm	88-89		BLMR1061-2F	BLM1061-1R
CBR 400 RRK-RRT (NC29) Gullarm	89-96	BLM1062-3F	BLMR1062-2F	BLM1062-1R
NS 400 RF-RG	85-87	BLM1109-3F		BLM1109-1R
NT Bros 400/600/650	88-95	BLM1114-1F		BLM1114-1R
RVF 400 RRR-RRT (NC35)	94-96	BLM1120-3F	BLMR1120-2F	BLM1120-1R
VF 400 FD	83	BLM1130-1F		BLM1130-1R
VFR 400 RF-RH (NC21)	85-87	BLM1133-3F	BLMR1133-2F	BLM1133-1R
VFR 400 RH-RK (NC24)	87-89		BLMR1134-2F	BLM1134-1R
VFR 400 RRL-RRM (NC30)	90-92		BLMR1135-2F	BLM1135-1R
CB 450 DXK	89-92	BLM1019-3F		BLM1019-1R
CB 500 V-3	97-03	BLM1024-1F		BLM1024-1R
CBF 500	04-08	BLM1048-1F		BLM1048-1R
CX 500 C Custom	82	BLM1088-3F		
CX 500 EC Euro Sport	82	BLM1089-3F		BLM1089-1R
CX 500 TC Turbo	82	BLM1090-3F		BLM1090-1R
CX 500 Z-B	79-81	BLM1091-3F		
FT 500 C	82	BLM1095-1F		BLM1095-1R
GL 500 DC Silverwing	82	BLM1102-3F		
VF 500 F2E-F2F	84-85	BLM1131-3F		BLM1131-1R
VT 500 ED-EF	83-85	BLM1145-1F		
XBR 500 F-SJ	85-88	BLM1151-1F		
CB 550 SC Nighthawk	83	BLM1027-1F		BLM1027-1R
CBX 550 FC-F2D	82-84	BLM1083-3F		BLM1083-1R
CB 600 F5-F8 Hornet	05-08		BLMR1028-2F	BLM1028-1R
CB 600 FW-F4 Hornet	98-05	BLM1029-3F	BLMR1029-2F	BLM1029-1R
CBF 600 S	04-06	BLM1049-3F	BLMR1049-2F	BLM1049-1R
CBR 600 F	11-13		BLMR1063-2F	BLM1063-1R
CBR 600 RR ABS	09-17	BLM1164-4F		BLM1164-4R

FRONT / AVANT / VORN / FRENTE / ANTERIORE

REAR / ARRIÈRE / HINTEN / POSTERIOR / POSTERIORE

BRAKE
LINES

BRAKE LINES



HONDA



		OE Replacement Brake Lines (Front)	Race Standard Brake Lines (Front)	OE Replacement Brake Lines (Rear)
CBR 600 FH-FL	87-90	BLM1064-3F	BLMR1064-2F	BLM1064-1R
CBR 600 FM-FR	91-94	BLM1065-3F	BLMR1065-2F	BLM1065-1R
CBR 600 FS-FW	95-98	BLM1066-3F	BLMR1066-2F	BLM1066-1R
CBR 600 FX-F4/Sport	99-04	BLM1067-3F	BLMR1067-2F	BLM1067-1R
CBR 600 RR Non ABS	08-13		BLMR1068-2F	BLM1068-1R
CBR 600 RR3-RR4	03-04	BLM1069-3F	BLMR1069-2F	BLM1069-1R
CBR 600 RR5	05		BLMR1070-2F	BLM1070-1R
CBR 600 RR6	06		BLMR1071-2F	BLM1071-1R
CBR 600 RR7	07		BLMR1072-2F	BLM1072-1R
NTV 600 J-M	88-91	BLM1116-1F		BLM1116-1R
VT 600 CN-CW Shadow	92-98	BLM1146-1F		
XL 600 LMF Paris Dakar	85	BLM1154-1F		
XL 600 RD-RF	84-85	BLM1155-1F		
XL 600 VH-VT Transalp	87-96	BLM1156-1F		BLM1156-1R
XL 600 W-VX Transalp	97-99		BLMR1157-2F	BLM1156-1R
CB 650 SC Nighthawk	82	BLM1030-3F		
CB 650 Z-B	79-81	BLM1031-3F		
CX 650 ED	83	BLM1092-3F		BLM1092-1R
CX 650 TD Turbo	83	BLM1093-3F		
NT 650 V Deauville (Nissin Calipers)	98-03	BLM1115-3F		BLM1115-1R
NX 650 J-T Dominator	88-96	BLM1117-1F		BLM1117-1R
NX 650 V-X Dominator	97-99	BLM1118-1F		BLM1117-1R
SLR 650 V-W	97-98	BLM1123-1F		
XL 650 Y-3 Transalp	00-05		BLMR1157-2F	BLM1156-1R
CB 750 F Supersport		BLM1032-3F		BLM1032-1R
CB 750 F1 High Bar	76-78	BLM1033-2F		BLM1033-1R
CB 750 F1 Twin Disc	76	BLM1035-3F		BLM1035-1R
CB 750 F2	77-79	BLM1036-3F		BLM1036-1R
CB 750 F2N-Y	92-02	BLM1037-3F		BLM1037-1R
CB 750 FZ-FD	79-83	BLM1038-3F		BLM1038-1R
CB 750 KZ	78-80	BLM1041-3F	BLMR1041-2F	BLM1041-1R
CBX 750 FE	84	BLM1084-3F		BLM1084-1R
NC750S/SD/SA	17-	BLM1171-2F		BLM1171-2R
NC700SD	17-	BLM1171-2F		BLM1171-2R
RVF 750 RR-RS (RC45)	94-95	BLM1121-3F	BLMR1121-2F	BLM1121-1R
VF 750 FD-FE	83-84	BLM1132-3F		BLM1132-1R
VFR 750 FG-FH	86-87	BLM1136-3F	BLMR1136-2F	BLM1136-1R
VFR 750 FJ-FK	88-89	BLM1137-3F	BLMR1137-2F	BLM1137-1R
VFR 750 FL-FP	90-93	BLM1138-3F	BLMR1138-2F	BLM1138-1R
VFR 750 FR-FV	94-97	BLM1139-3F	BLMR1139-2F	BLM1139-1R
VFR 750 RJ-RL (RC30)	88-90		BLMR1140-2F	BLM1140-1R
VT 750 Shadow	04-10	BLM1147-1F		
VT 750 V-W Shadow	97-98	BLM1148-1F		
XLV 750	84-87	BLM1160-1F		
XRV 750 L-3 Africa Twin	90-03	BLM1161-3F	BLMR1161-2F	BLM1161-1R
Pacific Coast PC800	89-98	BLM1119-3F		
VFR 800 FW-FY Non ABS	98-00	BLM1141-10FR		Supplied as front & rear kit complete
VFR 800 V-TEC ABS	02-10	BLM1142-13FR		Supplied as front & rear kit complete
VFR 800 V-TEC Non ABS	02-10	BLM1143-10FR		Supplied as front & rear kit complete
CB 900 F2-F3 Hornet	02-06	BLM1042-3F	BLMR1042-2F	BLM1042-1R
CB 900 FA-FB	80-81	BLM1043-3F		BLM1043-1R
CB 900 FC-FD	82-83	BLM1044-3F		BLM1043-1R
CB 900 FZ	79	BLM1045-3F		BLM1045-1R
CBR 900 RR2-RR3	02-03		BLMR1073-2F	BLM1073-1R
CBR 900 RRN-RRS Retaining Bundy	92-95	BLM1074-3F		
CBR 900 RRN-S Fireblade	92-95	BLM1075-3F	BLMR1075-2F	BLM1075-1R
CBR 900 RRT-RRX Retaining Bundy	96-99	BLM1076-3F	BLMR1076-2F	BLM1076-1R
CBR 900 RRT-X Fireblade	96-99	BLM1077-3F	BLMR1076-2F	BLM1076-1R
CBR 900 RRY-RR1	00-01		BLMR1073-2F	BLM1078-1R
CB 1000 P-T Big One	93-96	BLM1001-3F	BLMR1001-2F	BLM1001-1R
CB 1000 R	08-14		BLMR1002-2F	BLM1002-1R
CBF 1000	06	BLM1046-3F		BLM1046-1R
CBR 1000 FH-FJ	87-88	BLM1050-3F		BLM1050-1R

FRONT / AVANT / VORN / FRENTE / ANTERIORE

REAR / ARRIÈRE / HINTEN / POSTERIOR / POSTERIORE

BRAKE LINES

BRAKE LINES



HONDA



OE Replacement
Brake Lines (Front)

Race Standard
Brake Lines (Front)

OE Replacement
Brake Lines (Rear)

CBR 1000 FK-FN	89-92	BLM1051-3F		BLM1051-1R
CBR 1000 FP-FR	93-99	BLM1052-10FR		Supplied as front & rear kit complete
CBR 1000 RR	04-05	BLM1054-2F	BLMR1053-2F	BLM1054-1R
CBR 1000 RR	06-08		BLMR1054-2F	BLM1053-1R
CBR 1000 RR (Non ABS)	09-14		BLMR1055-2F	BLM1055-1R
CBR 1000 RR ABS	09-17	BLM1165-4F		BLM1165-2R
CBX 1000 A	80	BLM1079-3F		BLM1079-1R
CBX 1000 B Pro Link	81	BLM1080-3F		BLM1080-1R
CBX 1000 Z	79	BLM1081-3F		BLM1081-1R
GL 1000 KZ-K1	79-80	BLM1096-3F		BLM1096-1R
VF 1000 FE-FF	84-85	BLM1128-3F		BLM1128-1R
VF 1000 RE-RG	84-86	BLM1129-3F		BLM1129-1R
VTR 1000 SP1-SP2	99-08		BLMR1149-2F	BLM1149-1R
VTR 1000 FV-F4	97-05	BLM1150-3F	BLMR1150-2F	BLM1150-1R
XL 1000 VW-V3 Varedero	98-06	BLM1152-10FR		Supplied as front & rear kit complete
CB 1100 RC-RD	82-83	BLM1003-3F		BLM1003-1R
CB 1100 SF-X11	99-02	BLM1004-10FR		Supplied as front & rear kit complete
CBR 1100 XX Blackbird	96-08	BLM1056-10FR		Supplied as front & rear kit complete
GL 1100 A-B Goldwing	80-81	BLM1097-3F		BLM1097-1R
GL 1100 AD Aspencade	83	BLM1098-2F		BLM1098-1R
GL 1100 DC Deluxe	82	BLM1099-3F		BLM1099-1R
ST 1100 ABS/TCS/CBS	02-03	BLM1124-16FR		Supplied as front & rear kit complete
ST 1100 AN-AS Pan European ABS	92-95	BLM1125-7FR		Supplied as front & rear kit complete
ST 1100 L-2 Pan European Non ABS	90-02	BLM1126-3F		BLM1126-2R
GL 1200 AE-AH Aspencade	84-87	BLM1100-3F		BLM1100-1R
CB 1300 (SL38)	97-03	BLM1007-3F		BLM1007-1R
CB 1300 UK Model	02-03	BLM1008-3F	BLMR1008-2F	BLM1008-1R
CB 1300 SA ABS	05-06	BLM1009-4F		BLM1009-3R
F6C (GL 1500 CV-CW) Valkyrie	96-03	BLM1094-3F		BLM1094-1R
V65 Magna		BLM1127-3F		
GL 1500 J-SEY Goldwing	88-00	BLM1101-4FR		Supplied as front & rear kit complete

HONDA OFF-ROAD

CR 85 R	03-08	BLM6002-1F		BLM6002-1R
CR 85 R Expert	03-08	BLM6002-1F		BLM6003-1R
CR 125 R/250 R	97-07	BLM6000-1F		BLM6000-1R
CRF 230 L	08-	BLM6004-1F		
CRF 250 F/450 F	03-04	BLM6005-1F		BLM6005-1R
CRF 250 L	13-17	BLM6012-1F		BLM6012-1R
CRF 250 R/CRF 450 R	04-08	BLM6006-1F		BLM6006-1R
CRF 250 R/CRF 450 R	09-17	BLM6007-1F		BLM6007-1R
CRF 250 X/CRF 450 X	05-17	BLM6008-1F		BLM6008-1R
XR 400 R	96-04	BLM6009-1F		BLM6009-1R
CR 500	97-04	BLM6000-1F		BLM6000-1R
XR 650 L	04-	BLM6010-1F		BLM6010-1R
XR 650 R	00-03	BLM6011-1F		BLM6011-1R
XR 650 R	04-	BLM6010-1F		BLM6010-1R

KAWASAKI

KDX 125 A1-B2	90-94	BLM4032-1F		BLM4032-1R
KMX 125 A1-A5/B1-B12/KMX 200 A2-A3	86-02	BLM4050-1F		BLM4050-1R
Z 125 Pro	17	BLM4190-1F		BLM4190-1R
KDX 200/220	95-99	BLM4033-1F		BLM4033-1R
KDX 200 E1	90-94	BLM4032-1F		BLM4032-1R
GPX 250 R F2-F9	88-96	BLM4011-1F		BLM4011-1R
KLR 250 D2-D16	84-01	BLM4045-1F		
Z 250 A1-A3	79-82	BLM4091-1F		BLM4091-1R
ZZR 250 H1-H2	90-92	BLM4178-1F		BLM4178-1R
KR1-KR1S	89-92	BLM4051-3F	BLMR4051-2F	BLM4051-1R
KLX 300 R	97-99	BLM4048-1F		BLM4048-1R
EX300 Ninja	13-15	BLM4182-1F		BLM4182-1R
KH 400	77-80	BLM4041-2F		
ZR 400 A1-B1 (Z400F)	83-85	BLM4134-3F		

FRONT / AVANT / VORN / FRENTE / ANTERIORE

REAR / ARRIÈRE / HINTEN / POSTERIOR / POSTERIORE

BRAKE
LINES

BRAKE LINES



KAWASAKI



		OE Replacement Brake Lines (Front)	Race Standard Brake Lines (Front)	OE Replacement Brake Lines (Rear)
ZXR 400 L1-L9	91-03	BLM4169-3F	BLMR4169-2F	BLM4169-1R
GPZ 500 S A1-A6	87-93	BLM4018-1F		
GPZ 500 S D1-E8	94-01	BLM4019-1F		BLM4019-1R
GPZ 500 S E9-E10	02-04	BLM4020-2F	BLMR4020-2F	BLM4019-1R
KH 500	76 -	BLM4042-2F		
KLE 500 A1-A7	91-99	BLM4043-1F		BLM4043-1R
KLE 500 B	05-06	BLM4044-1F		BLM4044-1R
Vulcan 500	96-97	BLM4066-1F		
Z 500	80-83	BLM4099-3F		
GT 550 G1-G9	83-01	BLM4026-3F		
Z 550 A1	1980	BLM4100-3F		
Z 550 D1 (GPZ)	81	BLM4101-3F		BLM4101-1R
Z 550 H1-H2 (Gpz Unitrak)	82-83	BLM4102-3F		BLM4102-1R
Z 550 LTD C1-C2	80-83	BLM4103-3F		
ZR 550 A1-A2 (Z550F)	82-87	BLM4135-3F		
ZR 550 B2-B6 Zephyr	91-98	BLM4136-3F		BLM4136-1R
ZX 550 A1-A4 (GPZ550)	83-91	BLM4150-5F		BLM4150-1R
ER6 F/N	13-14	BLM4008-2F		BLM4008-1R
ER6 F/N	06-09	BLM4009-2F	BLMR4009-2F	BLM4009-1R
ER6 F/N	10-12	BLM4010-2F	BLMR4010-2F	BLM4010-1R
GPX 600 R C1-C7	88-96	BLM4012-3F	BLMR4012-2F	BLM4012-1R
GPZ 600 R A1-A5	85-90	BLM4021-5F		BLM4021-1R
KLR 600 A1/B1-B4	84-90	BLM4046-1F		
ZL 600 B1 Eliminator	95-97	BLM4129-1F		
ZZR 600 D1-D3	90-93	BLM4179-3F	BLMR4179-2F	BLM4179-1R
ZZR 600 D4-E12H	94-06	BLM4180-3F	BLMR4179-2F	BLM4180-1R
ZX6R	07-08	BLM4151-2F	BLMR4151-2F	BLM4151-1R
ZX6R	09-12	BLM4152-3F	BLMR4152-2F	BLM4152-1R
ZX6R	13-14	BLM4153-2F	BLMR4153-2F	BLM4153-1R
ZX6R B1/ZX6RR K1	03	BLM4154-2F	BLMR4154-2F	BLM4154-1R
ZX6R F1-F3	95-97	BLM4155-3F	BLMR4155-2F	BLM4155-1R
ZX6R G1-G2	98-99	BLM4156-3F	BLMR4156-2F	BLM4156-1R
ZX6R J1-J2/A1P (636)	00-02	BLM4157-3F	BLMR4157-2F	BLM4157-1R
ZX6RR 04	04	BLM4158-2F	BLMR4158-2F	BLM4158-1R
ZX6RR ZX636	05-06	BLM4159-2F	BLMR4159-2F	BLM4159-1R
KLR 650 A1-A3/C1-C8	87-02	BLM4047-1F		BLM4047-1R
KLX 650 C1-C2	93-96	BLM4049-1F		BLM4049-1R
Versys 650 ABS	06-10	BLM4052-5FR		Supplied as front & rear kit complete
Versys 650 ABS	11-13	BLM4053-7FR		Supplied as front & rear kit complete
Versys 650 Non ABS	06-10	BLM4054-2F		BLM4054-1R
Versys 650 Non ABS	11	BLM4055-2F		BLM4055-1R
W 650	03-04	BLM4067-1F		
Z 650 B1 Full Front	77	BLM4104-2F		
Z 650 B1 Twin Disc Front	78	BLM4105-3F		
Z 650 B2-B3	78-79	BLM4106-2F		
Z 650 C2-C3	78-80	BLM4107-3F		BLM4107-1R
Z 650 D1(SR)	78	BLM4108-3F		
Z 650 D2-D3 (SR)	79-80	BLM4109-3F		
Z 650 F1	80	BLM4110-3F		
Z 650 F2-F4	81-83	BLM4111-3F		
ZX7R P1-P7/ZX7RR N1	96-03	BLM4160-3F	BLMR4160-2F	BLM4160-1R
GPX 750 R F1-F3	87-91	BLM4013-3F	BLMR4013-2F	BLM4013-1R
GPZ 750 A1-A5/R1 (ZX 750 A/ZX 750 G)	83-89	BLM4022-5F		BLM4022-1R
GPZ 750 E1-E2 Turbo	83-87	BLM4023-5F		BLM4023-1R
GT 750 P1-P9	82-96	BLM4027-3F		BLM4027-1R
VN 750 A Front	86-94	BLM4064-3F		
Z 750	03-05	BLM4112-2F	BLMR4112-2F	BLM4112-1R
Z 750	06-07	BLM4113-2F	BLMR4113-2F	BLM4113-1R
Z 750	08-11	BLM4070-2F	BLMR4070-2F	BLM4070-1R
Z 750 B Full Front	76-79		BLMR4115-2F	BLM4115-1R
Z 750 L2-L4 82-84 Front	82-84	BLM4116-3F		
Z 750 L4 1984 Rear	84			BLM4117-1R
Z 750 Ltd H1-H2	80-83	BLM4118-3F		

FRONT / AVANT / VORN / FRENTE / ANTERIORE

REAR / ARRIÈRE / HINTEN / POSTERIOR / POSTERIORE

BRAKE
LINES

BRAKE LINES



KAWASAKI



		OE Replacement Brake Lines (Front)	Race Standard Brake Lines (Front)	OE Replacement Brake Lines (Rear)
Z 750 R	11	BLM4119-2F		BLM4119-1R
Z 750 R1 (GP)	82	BLM4120-3F		BLM4120-1R
Z 750 Y1 Twin Ltd	82	BLM4121-3F		
ZR-7	06	BLM4130-2F		BLM4130-1R
ZR-7 F1-F5/ZR-7S H3	99-03	BLM4131-3F	BLMR4131-2F	BLM4131-1R
ZR 750 C1-C4/D1 Zephyr	91-99	BLM4137-3F	BLMR4137-2F	BLM4137-1R
ZXR 750 H1-H2	89-90	BLM4170-3F	BLMR4170-2F	BLM4170-1R
ZXR 750 J1-J2	91-92	BLM4171-3F	BLMR4171-2F	BLM4171-1R
ZXR 750 K1-L1	91-96	BLM4172-3F	BLMR4172-2F	BLM4172-1R
ZXR 750 M1-M2	92-94	BLM4173-3F	BLMR4173-2F	BLM4173-1R
VN 800 A1-A3/B2-B8 Classic/E1-E2 Drifter	95-03	BLM4065-1F		
W 800 Inc Special Edition	11-13	BLM4068-1F		
Z 800 Non ABS	13	BLM4122-2F	BLMR4122-2F	BLM4122-1R
Z 800 E 2013 2 Pot	13	BLM4123-2F		
GPZ 900 R A1-A6	84-89	BLM4024-5F		BLM4024-1R
GPZ 900 R A7-A8	90-96	BLM4025-3F	BLMR4025-2F	BLM4025-1R
VN 900/VN 900 Custom	06-13	BLM4031-1F		BLM4031-1R
Z 900	-77	BLM4124-3F		
Z 900	78-	BLM4125-3F		
Z 900 Single Disc (Hard Line On Caliper)	74	BLM4126-2F		
ZX9R B1-B2	94-95	BLM4161-3F	BLMR4161-2F	BLM4161-1R
ZX9R B3-B4	96-97	BLM4162-3F	BLMR4161-2F	BLM4161-1R
ZX9R C1-C2	98-99	BLM4163-3F	BLMR4163-2F	BLM4163-1R
ZX9R E1-E2	00-01	BLM4164-3F	BLMR4164-2F	BLM4164-1R
ZX9R F1P-F2P	02-04	BLM4165-3F	BLMR4165-2F	BLM4165-1R
Z1/Z1A/Z1B	73-75	BLM4069-3F		BLM4069-1R
GPZ 1000 RX A1-A3	85-89	BLM4014-5F		BLM4014-1R
GTR 1000 A1	86	BLM4028-3F		BLM4028-1R
GTR 1000 A2-A4	87-89	BLM4029-3F		BLM4029-1R
GTR 1000 A5-A14	90-99	BLM4030-3F		BLM4030-1R
KLZ 1000 Versys	12-14	BLM4191-4F		BLM4191-1R
KLZ 1000 Versys	15-17	BLM4192-4F		BLM4191-1R
Z 1000	07-09	BLM4070-2F	BLMR4070-2F	BLM4070-1R
Z 1000	10-13		BLMR4071-2F	BLM4071-1R
Z 1000	15-	BLM4072-2F		BLM4072-1R
Z 1000 A1	77	BLM4073-3F	BLMR4073-2F	BLM4073-1R
Z 1000 A2	78	BLM4074-3F		BLM4074-1R
Z 1000 J1	81	BLM4075-3F		BLM4075-1R
Z 1000 J2	82	BLM4076-3F		BLM4076-1R
Z 1000 J3	83	BLM4077-3F		BLM4077-1R
Z 1000 K1 LTD	81-83	BLM4078-3F		BLM4078-1R
Z 1000 MK2	78-81	BLM4079-3F		BLM4079-1R
Z 1000 Z 1R	78-81	BLM4080-3F		BLM4080-1R
Z 1000 H	80-81	BLM4081-3F		BLM4081-1R
Z 1000 R2	83	BLM4082-3F		BLM4082-1R
Z 1000 ST (E1)	79	BLM4083-3F		BLM4083-1R
Z 1000 ST (E2)	80	BLM4084-3F		BLM4084-1R
Z 1000 SX	11-13		BLMR4085-2F	BLM4085-1R
Z 1000 SX	14-17	BLM4189-4F		BLM4189-1R
ZL 1000	87-90	BLM4128-3F		BLM4128-1R
ZR 1000 A1-A2	03-06	BLM4132-2F	BLMR4132-2F	BLM4132-1R
ZX10 B1-B3	88-91	BLM4141-3F	BLMR4141-2F	BLM4141-1R
ZX10R	04-05	BLM4142-2F	BLMR4142-2F	BLM4142-1R
ZX10R	06	BLM4143-2F	BLMR4143-2F	BLM4143-1R
ZX10R	07	BLM4144-2F	BLMR4144-2F	BLM4144-1R
ZX10R	08-10		BLMR4145-2F	BLM4145-1R
ZX10R (Non ABS)	11-14	BLM4146-3F	BLMR4146-2F	BLM4146-1R
GPZ 1100 A1-A3 (ZX 1100 A)	83-85	BLM4015-5F		BLM4015-1R
GPZ 1100 S E1-E2	95-99	BLM4016-3F		BLM4016-1R
Z 1100 A1-A3	81-84	BLM4086-3F		BLM4086-1R
Z 1100 A1-A3(GPZ)	81-83	BLM4087-3F		BLM4087-1R
Z 1100 B1-B2(GPZ)	81-82	BLM4088-3F		BLM4088-1R
Z 1100 R	84-86	BLM4089-3F		BLM4089-1R

FRONT / AVANT / VORN / FRENTE / ANTERIORE

REAR / ARRIÈRE / HINTEN / POSTERIOR / POSTERIORE

BRAKE
LINES

BRAKE LINES



KAWASAKI



		OE Replacement Brake Lines (Front)	Race Standard Brake Lines (Front)	OE Replacement Brake Lines (Rear)
ZR 1100 A1-A4/B1 Zephyr	92-97	BLM4133-3F	BLMR4133-2F	BLM4133-1R
ZRX 1100 C1-C2	97-01	BLM4138-3F	BLMR4138-2F	BLM4138-1R
ZZR 1100 C1-C3	90-92	BLM4174-3F	BLMR4174-2F	BLM4174-1R
ZZR 1100 D1-D9	92-01	BLM4175-3F	BLMR4175-2F	BLM4175-1R
ZRX 1200 A1-A3P/ZRX 1200S B1-B3P	01-04	BLM4139-3F	BLMR4139-2F	BLM4139-1R
ZRX 1200 R	06	BLM4140-3F		BLM4140-1R
ZX12R A1-B2	99-03	BLM4147-3F	BLMR4147-2F	BLM4147-1R
ZX12R B3-B4	04-05		BLMR4148-2F	BLM4147-1R
ZX12R B6	05-07	BLM4149-3F	BLMR4149-2F	BLM4147-1R
ZZR 1200	02-04	BLM4176-3F		BLM4176-1R
Z 1300 A1-A5	79-84	BLM4090-3F		BLM4090-1R
ZG 1300 A1-A3	87-90	BLM4127-3F		BLM4127-1R
ZZR 1400 (Non ABS)	06-10	BLM4177-3F	BLMR4177-2F	BLM4177-1R
VN 1500 B2-B6 Vulcan/C1-C2 Classic	88-96	BLM4056-1F		BLM4056-1R
VN 1500 D1-D2/E1 Classic/J1-J2 Drifter	96-99	BLM4057-1F		BLM4057-1R
VN 1500 E2 Classic Tourer/Nomad	01-04	BLM4058-3F		BLM4058-1R
VN 1500 E2 Classic/G1-G2 Nomad	98-99	BLM4059-2F		BLM4059-1R
VN 1600 A3H Classic	03-06		BLMR4060-2F	BLM4060-1R
VN 1600 B2H Meanstreak	03-06	BLM4061-3F		BLM4061-1R
VN 1700 Classic	09		BLMR4062-2F	
VN 2000	03-09	BLM4063-3F	BLMR4063-2F	BLM4063-1R
KAWASAKI OFF ROAD				
KX 85	00-11	BLM6017-1F		BLM6017-1R
KX 100	97-11	BLM6017-1F		BLM6017-1R
KX 125/250	03-05	BLM6018-1F		BLM6017-1R
KDX 200 R/220 R	05-06	BLM6014-1F		BLM6014-1R
KX 250	06-07	BLM6019-1F		BLM6019-1R
KX 250 F	04-05	BLM6018-1F		BLM6017-1R
KX 250 F	06	BLM6021-1F		BLM6021-1R
KX 250 F	07-08	BLM6022-1F		BLM6022-1R
KX 250 F	09	BLM6023-1F		BLM6023-1R
KX 250 F	11	BLM6024-1F		BLM6024-1R
KLX 300 R	05-08	BLM6015-1F		BLM6015-1R
KLX 450 R	08-09	BLM6016-1F		BLM6016-1R
KX 450 F	06-08	BLM6021-1F		BLM6021-1R
KX 450 F	09-11	BLM6023-1F		BLM6023-1R
KX 500	95-04	BLM6018-1F		BLM6017-1R
KTM OFF ROAD				
125/200/250 EXC	00-03	BLM6032-1F		BLM6032-1R
125/200/250 SX	04-05	BLM6033-1F		
125/200 EXC	98-99			BLM6032-1R
125/200 SX/MXC	00-03	BLM6035-1F		BLM6032-1R
125/200 SX/MXC	95-99	BLM6036-1F		BLM6032-1R
125 EXC/SX/SXS	04-09	BLM6038-1F		BLM6038-1R
200 EXC/XC/XCW MXC	00-09	BLM6038-1F		
250 MXC/SXC	00-01	BLM6038-1F		
250 EXC/SX	03-09			BLM6038-1R
250 EXC/XC/XCF	02-09	BLM6038-1F		
250 SX/MXC	00-02	BLM6035-1F		BLM6032-1R
250 SX/MXC	94-99	BLM6036-1F		BLM6032-1R
360/380 EXC	00-03	BLM6032-1F		BLM6032-1R
300/360/380 SX/MXC	00-02	BLM6035-1F		BLM6032-1R
360/380 SX/MXC	94-99	BLM6036-1F		BLM6032-1R
300 EXC/MXC	04-09			BLM6038-1R
300 EXC/XC/MXC	06-09	BLM6038-1F		
380 EXC/MXC/SX	00-02	BLM6038-1F		
400/520 SX/MXC	00-02	BLM6035-1F		
400/540/620 SC/EXC	98-99	BLM6036-1F		
400/540/620 SX	96-99	BLM6032-1F		
400 EXC/MXC	00-09	BLM6038-1F		
450/525 SX	04-05	BLM6033-1F		

FRONT / AVANT / VORN / FRENTE / ANTERIORE

REAR / ARRIÈRE / HINTEN / POSTERIOR / POSTERIORE

BRAKE
LINES

BRAKE LINES



KTM OFF ROAD



		OE Replacement Brake Lines (Front)	Race Standard Brake Lines (Front)	OE Replacement Brake Lines (Rear)
450 EXC/MXC/SXS/XC	03-09	BLM6038-1F		
505 XC	08-09	BLM6038-1F		
520 SC/EXC	00-02	BLM6032-1F		
520 EXC/SX/MXC	00-02	BLM6038-1F		
525 EXC/MXC/SX/XC	03-07	BLM6038-1F		
525 MXC	03	BLM6036-1F		BLM6032-1R
525 SX/450SX	03	BLM6036-1F		BLM6032-1R
530 EXC/XCR/XCW	08-09	BLM6038-1F		
625 SC/SXC	02-07	BLM6038-1F		
660 Rallye	00-03	BLM6038-1F		
LAVERDA				
Jota 120/180	78-82	BLM8161-3F	BLMR8161-2F	BLM8161-1R
Montjuic 500	79-83	BLM8163-3F		
750 Formula 750		BLM8159-2F		BLM8159-1R
750 Formula/750 SS	97-02	BLM8160-2F		BLM8160-1R
Mirage 1200	78-79	BLM8162-3F		BLM8162-1R
MOTO GUZZI				
V50 Monza MK1	80-81	BLM8184-3FR		Supplied as front & rear kit complete
V50 Monza MK2	82-83	BLM8185-3FR		Supplied as front & rear kit complete
V50 Monza MK3	84-86	BLM8186-4FR		Supplied as front & rear kit complete
V65 Lario	85-88	BLM8187-4FR		Supplied as front & rear kit complete
V65/V65 SP/V65 ST	84-91	BLM8188-4FR		Supplied as front & rear kit complete
V65 TT	85-88	BLM8189-3FR		Supplied as front & rear kit complete
750 Targa	90-94	BLM8176-3FR		Supplied as front & rear kit complete
850 Le Mans MK1	78-79	BLM8179-4FR		Supplied as front & rear kit complete
850 Le Mans MK2-MK3	79-85	BLM8180-4FR		Supplied as front & rear kit complete
850 T3	- 80	BLM8181-5FR		Supplied as front & rear kit complete
850 T3 California	77-82	BLM8182-5FR		Supplied as front & rear kit complete
850 T5	83-88	BLM8183-4FR		Supplied as front & rear kit complete
1000 California MK2	82-87	BLM8165-5FR		Supplied as front & rear kit complete
1000 Le Mans MK4	85-88	BLM8166-4FR		Supplied as front & rear kit complete
1000 Le Mans MK5	88-94	BLM8167-4FR		Supplied as front & rear kit complete
1000 Mille Gt	88-91	BLM8168-4FR		Supplied as front & rear kit complete
1000 Spada MK1-MK2	80-88	BLM8169-4FR		Supplied as front & rear kit complete
1000 Spada MK3	89-95	BLM8170-4FR		Supplied as front & rear kit complete
1000 T3 California		BLM8171-5FR		Supplied as front & rear kit complete
1100 California EV	97-02	BLM8172-2F		
1100 California Jackal	99-01	BLM8173-3FR		Supplied as front & rear kit complete
1100 California MK3	94-97	BLM8174-3FR		Supplied as front & rear kit complete
1100 Sport Carb	96-99	BLM8175-3F		BLM8175-1R
MV AGUSTA				
F3 675 Agusta	13	BLM8192-2F		BLM8192-1R
Brutale S 750	04	BLM8191-3F		BLM8191-1R
F4 750	00-04	BLM8194-3F	BLMR8194-2F	
850 Monza	77	BLM8190-3F		BLM8190-1R
F4 1000 S	04	BLM8193-3F		BLM8193-1R
SUZUKI				
DDR 125 SF-SJ	85-94	BLM3004-1F		
GP 125 X-D	82-89	BLM3015-1F		
RG 125 FUN-FUR	91-95	BLM3132-1F		BLM3132-1R
TS 125 RK-RR	90-96	BLM3150-1F		BLM3150-1R
GS 250 TT-TX	80-81	BLM3021-1F		
GSX 250 ET-EX	80-81	BLM3063-1F		
GSX 250 EZ Katana	82	BLM3064-2F		
RG 250 FG-FH	85-89	BLM3134-3F		BLM3134-1R
RG 250 WD	83	BLM3135-3F		BLM3135-1R
RG 250 WE	84	BLM3136-5F		BLM3136-1R
RGV 250 K-L	89-90	BLM3138-3F	BLMR3138-2F	BLM3138-1R
RGV 250 M-N	91-92	BLM3139-3F	BLMR3139-2F	BLM3139-1R

FRONT / AVANT / VORN / FRENTE / ANTERIORE

REAR / ARRIÈRE / HINTEN / POSTERIOR / POSTERIORE

BRAKE
LINES

BRAKE LINES



SUZUKI



		OE Replacement Brake Lines (Front)	Race Standard Brake Lines (Front)	OE Replacement Brake Lines (Rear)
RGV 250 P-R	93-97	BLM3140-3F	BLMR3140-2F	BLM3140-1R
DR 350 SES-SEX	95-99	BLM3005-1F		BLM3005-1R
DR 350 SL-SR	90-94	BLM3006-1F		BLM3006-1R
GT 380 M	75	BLM3125-1F		
GS 400/425 (Single Disc)	77-80	BLM3022-2F		
GSF 400 M-R Bandit	91-95	BLM3041-2F		BLM3041-1R
GSX 400 EZ	82	BLM3065-2F		
GSX 400 FX Non Anti-Dive	81	BLM3066-3F		BLM3066-1R
GSX 400 FZ-FD Anti-Dive	82-86	BLM3067-4F		BLM3066-1R
GSZ 400 FZ-FD Twin Anti-Dive	82-86	BLM3068-5F		BLM3066-1R
GSXR 400 RRR-RRN	89-92	BLM3096-3F	BLMR3096-2F	BLM3096-1R
GS 450 EG-EJ	85-89	BLM3023-2F		
GS 500 EK-ER	89-94	BLM3024-1F		BLM3024-1R
GS 500 ES-K4	95-05	BLM3025-1F		BLM3025-1R
GS 500 F	03-09	BLM3026-1F		BLM3026-1R
RG 500 G-CH	85-89	BLM3137-3F	BLMR3137-2F	BLM3137-1R
GS 550 EN	79	BLM3027-3F		BLM3027-1R
GS 550 ET-EX	80-81	BLM3028-3F		BLM3028-1R
GS 550 LT-LX	80-82	BLM3029-3F		BLM3029-1R
GS 550 MX Katana	81	BLM3030-3F		BLM3030-1R
GSX 550 EE/ESF/EFF/EG/ESG	85-88	BLM3069-3F		BLM3069-1R
GSX 550 ESD/EE/ESE/EFE	83-84	BLM3070-5F		BLM3070-1R
GT 550 A	76	BLM3127-1F		
DR 600 SF-RG	84-87	BLM3007-1F		
GSF 600 S Bandit	95	BLM3042-3F	BLMR3042-2F	BLM3042-1R
GSF 600 T-X Bandit	96-99	BLM3043-3F	BLMR3043-2F	BLM3042-1R
GSF 600 Y-K4 Bandit	00-05	BLM3044-3F	BLMR3044-2F	BLM3044-1R
GSR 600	06-10	BLM3049-2F	BLMR3049-2F	BLM3049-1R
GSR 600 ABS	06-11	BLM3050-5FR		Supplied as front & rear kit complete
GSX 600 FJ-FV	88-97	BLM3071-3F	BLMR3071-2F	BLM3071-1R
GSX 600 FW-K3	98-03	BLM3072-3F	BLMR3072-2F	BLM3072-1R
GSXR 600	04-05	BLM3097-2F	BLMR3097-2F	BLM3097-1R
GSXR 600	06-10	BLM3098-2F	BLMR3098-2F	BLM3098-1R
GSXR 600	11-14	BLM3099-2F	BLMR3099-2F	BLM3099-1R
GSXR 600 K1-K3	01-03	BLM3100-2F	BLMR3100-2F	BLM3100-1R
GSXR 600 V-W	97-98	BLM3101-2F	BLMR3101-2F	BLM3101-1R
GSXR 600 X-Y	99-00	BLM3102-2F	BLMR3101-2F	BLM3102-1R
RF 600 RP-RV	93-97	BLM3130-3F	BLMR3130-2F	BLM3130-1R
VS 600 GLS-GLT Intruder	95-97	BLM3155-1F		
DL 650 ABS	13	BLM3003-5FR		Supplied as front & rear kit complete
DR 650 RSEM-SET	91-97	BLM3008-1F		BLM3008-1R
GX 650 GTX-GTD	81-85	BLM3031-3F		BLM3031-1R
GS 650 GX Katana	81	BLM3032-3F		BLM3032-1R
GSF 650 Bandit Non ABS	08	BLM3045-2F		
GSF 650 Bandit Non ABS	05-07	BLM3046-2F	BLMR3046-2F	BLM3046-1R
GSF 650 A Bandit ABS	05-13	BLM3047-7FR		Supplied as front & rear kit complete
GSF 650 S Bandit K5 - K8 Non ABS	05-13	BLM3048-2F	BLMR3048-2F	BLM3048-1R
GSX 650 F Non ABS	07-13	BLM3073-2F	BLMR3073-2F	BLM3073-1R
LS 650 FG/PJ-PT Savage	87-98	BLM3129-1F		
SV 650 Unfaired	03-13	BLM3143-3F	BLMR3143-2F	BLM3143-1R
SV 650 S Faired	03-13	BLM3144-3F	BLMR3144-2F	BLM3143-1R
SV 650 SX-SK2	99-02	BLM3145-3F	BLMR3145-2F	BLM3145-1R
SV 650 X-K1	99-02	BLM3146-3F	BLMR3146-2F	BLM3145-1R
SVF 650 Gladius Non ABS	09-13	BLM3147-2F	BLMR3147-2F	BLM3147-1R
V-Strom 650	04-12	BLM3153-3F	BLMR3153-2F	BLM3153-1R
DR 750 SJ-SL	88-90	BLM3009-1F		BLM3009-1R
GS 750 DB	77	BLM3033-3F		BLM3033-1R
GS 750 EN	79	BLM3034-3F		BLM3034-1R
GSR 750 Non ABS model only	11-13	BLM3051-2F		
GSX 750 EE/EF/ES	84-89	BLM3074-5F		BLM3074-1R
GSX 750 ESD	83	BLM3075-5F		BLM3075-1R
GSX 750 ET-EX	80-81	BLM3076-3F		BLM3076-1R
GSX 750 FK-FV	89-97	BLM3077-3F	BLMR3077-2F	BLM3077-1R

FRONT / AVANT / VORN / FRENTE / ANTERIORE

REAR / ARRIÈRE / HINTEN / POSTERIOR / POSTERIORE

BRAKE
LINES

BRAKE LINES



		OE Replacement Brake Lines (Front)	Race Standard Brake Lines (Front)	OE Replacement Brake Lines (Rear)
GSX 750 FW-K3	98-03	BLM3078-3F	BLMR3078-2F	BLM3078-1R
GSX 750 R	85	BLM3079-3F		BLM3079-1R
GSX 750 SE Katana	83-86	BLM3080-3F		BLM3080-1R
GSX 750 W-K1	97-02	BLM3081-3F	BLMR3081-2F	BLM3081-1R
GSXR 750	11-14	BLM3099-2F	BLMR3099-2F	BLM3099-1R
GSXR 750	06-10	BLM3098-2F	BLMR3098-2F	BLM3098-1R
GSXR 750 F-H	85-87	BLM3105-3F	BLMR3105-2F	BLM3105-1R
GSXR 750 J	88	BLM3106-3F	BLMR3106-2F	BLM3106-1R
GSXR 750 K	89	BLM3091-3F	BLMR3091-2F	BLM3091-1R
GSXR 750 K4/K5	04-05	BLM3097-2F	BLMR3097-2F	BLM3097-1R
GSXR 750 L	90	BLM3109-3F	BLMR3109-2F	BLM3109-1R
GSXR 750 M	91	BLM3110-3F	BLMR3110-2F	BLM3110-1R
GSXR 750 T-W	96-98	BLM3101-2F	BLMR3101-2F	BLM3101-1R
GSXR 750 WN-WP	92-93	BLM3112-3F	BLMR3112-2F	BLM3112-1R
GSXR 750 WR-WS	94-95	BLM3113-2F	BLMR3113-2F	BLM3113-1R
GSXR 750 X	99	BLM3102-2F	BLMR3101-2F	BLM3102-1R
GSXR 750 Y-K3	00-03	BLM3115-2F	BLMR3115-2F	BLM3115-1R
GSX-S 750	17			
GSX-S 750 Z	17			
VS 750 GLPG-GLPM Intruder	85-91	BLM3155-1F		
DR 800 SL-SM	90-91	BLM3010-1F		BLM3010-1R
VS 800 GLM-GLV Intruder	91-97	BLM3155-1F		
VX 800 L-R	90-95	BLM3158-1F		BLM3158-1R
VZ 800 V-W Marauder	97-98	BLM3159-1F		
GS 850 GN-GT	79-80	BLM3035-3F		BLM3035-1R
GS 850 GX-GG	81-88	BLM3036-3F		BLM3036-1R
XN 85 D Turbo	83	BLM3161-5F		BLM3161-1R
RF 900 RR-RW	94-98	BLM3131-3F	BLMR3131-2F	BLM3131-1R
DL 1000 V-Strom ABS	2014-	BLM3001-3F		BLM3001-2R
DL 1000 K2 V-Strom	02-06	BLM3002-3F	BLMR3002-2F	BLM3002-1R
DL1000 V Strom	17-	BLM3172-3F		BLM3172-2R
DL1000 V Strom XT	17-	BLM3173-3F		BLM3173-2R
GS 1000 Katana Anti-Dive		BLM3016-5F		BLM3016-1R
GS 1000 ET/GT	80-84	BLM3017-3F		BLM3017-1R
GS 1000 S	79	BLM3018-3F		BLM3018-1R
GSX 1000 SZ-SD Katana	81-84	BLM3052-5F		BLM3052-1R
GSXR 1000	12-14	BLM3082-2F	BLMR3082-2F	BLM3082-1R
GSXR 1000 ABS	15	BLM3083-3F		BLM3082-1R
GSXR 1000 K5/K6	05-06	BLM3084-2F	BLMR3084-2F	BLM3084-1R
GSXR 1000 K7 - K8	07-08	BLM3085-2F	BLMR3085-2F	BLM3085-1R
GSXR 1000 K9 - K11	09-11	BLM3086-2F	BLMR3086-2F	BLM3086-1R
GSXR 1000 ABS	17	BLM3167-3F		BLM3167-2R
GSXR 1000 K1-K2	01-02	BLM3087-2F	BLMR3087-2F	BLM3087-1R
GSXR 1000 K3-K4	03-04	BLM3088-2F	BLMR3088-2F	BLM3088-1R
SV 1000 N	03-06	BLM3141-2F	BLMR3141-2F	BLM3141-1R
SV 1000 SK3-K7	03-07	BLM3142-2F	BLMR3142-2F	BLM3142-1R
TL 1000 RW-RK1	98-02	BLM3148-2F	BLMR3148-2F	BLM3148-1R
TL 1000 SV-SX	97-01	BLM3149-2F	BLMR3149-2F	BLM3149-1R
GS 1100 G	82-84	BLM3019-3F		BLM3019-1R
GSX 1100 EE/EF/EG	84-88	BLM3053-3F		BLM3053-1R
GSX 1100 ESD	83	BLM3054-5F		BLM3054-1R
GSX 1100 ET-EX	80-81	BLM3055-3F		BLM3055-1R
GSX 1100 EZ/SZ Katana	82	BLM3056-5F		BLM3056-1R
GSX 1100 FJ-FR	88-94	BLM3057-3F		BLM3057-1R
GSX 1100 GM-GN	91-94	BLM3058-3F		BLM3058-1R
GSX 1100 SD Katana	83	BLM3059-5F		BLM3059-1R
GSXR 1100 G-H	86-87	BLM3089-3F	BLMR3089-2F	BLM3089-1R
GSXR 1100 J	88	BLM3090-3F	BLMR3090-2F	BLM3090-1R
GSXR 1100 K	89	BLM3091-3F	BLMR3091-2F	BLM3091-1R
GSXR 1100 L	90	BLM3092-3F	BLMR3092-2F	BLM3092-1R
GSXR 1100 M	91	BLM3093-3F	BLMR3093-2F	BLM3093-1R
GSXR 1100 N	92	BLM3094-3F	BLMR3094-2F	BLM3094-1R
GSXR 1100 WP-WT	93-96	BLM3095-2F	BLMR3095-2F	BLM3095-1R

FRONT / AVANT / VORN / FRENTE / ANTERIORE

REAR / ARRIÈRE / HINTEN / POSTERIOR / POSTERIORE

BRAKE
LINES

BRAKE LINES



SUZUKI



OE Replacement
Brake Lines (Front)

Race Standard
Brake Lines (Front)

OE Replacement
Brake Lines (Rear)

GSF 1200 K1-K5 Bandit	01-06	BLM3037-3F	BLMR3037-2F	BLM3037-1R
GSF 1200 T-Y Bandit	96-00	BLM3038-3F	BLMR3038-2F	BLM3038-1R
GSF 1250 Bandit	06-13	BLM3039-2F	BLMR3039-2F	BLM3039-1R
GSF 1250 A Bandit ABS	07-13	BLM3040-8F		
B-King	07-10	BLM3000-2F		BLM3000-1R
GSX 1300 R Hayabusa	99-06	BLM3060-2F	BLMR3060-2F	BLM3060-1R
GSX 1300 R Hayabusa	07-13	BLM3061-2F	BLMR3061-2F	BLM3061-1R
GSX 1400	01-09	BLM3062-3F	BLMR3062-2F	BLM3062-1R
VS 1400 GLPH-GLPV Intruder	87-99	BLM3154-1F		BLM3154-1R
VZR 1800	06-	BLM3160-3F	BLMR3160-2F	BLM3160-1R

SUZUKI OFF ROAD

DRZ 125/DRZ 125L	03-	BLM6077-1F		
DRZ 250	04-07	BLM6078-1F		BLM6078-1R
RM 250	06-08	BLM6029-1F		BLM6029-1R
RM-Z 250	04-09	BLM6080-1F		BLM6080-1R
RM-Z 250	11	BLM6081-1F		BLM6081-1R
DR-Z 400	05-07	BLM6079-1F		
DR-Z 400 E	00-07	BLM6013-1F		BLM6013-1R
RM-Z 450	05-07	BLM6080-1F		BLM6080-1R
RM-Z 450	08-09	BLM6083-1F		BLM6083-1R
RM-Z 450	11	BLM6084-1F		BLM6084-1R

TRIUMPH

Bonneville/T100 (-Ch 437492)	01-12	BLM8195-1F		
Bonneville America	03-06	BLM8196-1F		BLM8196-1R
Bonneville Thruxton 900	03-13	BLM8197-1F		BLM8197-1R
Daytona 600	03-04	BLM8198-2F	BLMR8198-2F	BLM8198-1R
Daytona 675	06-13	BLM8199-2F	BLMR8199-2F	BLM8199-1R
Daytona 750/1000	91-93	BLM8200-3F	BLMR8200-2F	BLM8200-1R
Daytona 900/1200	92-97	BLM8201-3F	BLMR8201-2F	BLM8201-1R
Daytona 955i	01-03	BLM8202-2F	BLMR8202-2F	BLM8202-1R
Daytona 955i	99-00	BLM8202-2F	BLMR8202-2F	BLM8203-1R
Daytona T595	97-00	BLM8202-2F	BLMR8202-2F	BLM8204-1R
Legend	98-01	BLM8205-1F		BLM8205-1R
Rocket III (Standard Bars)	04-15	BLM8206-3F		BLM8206-1R
Rocket III Classic (Higher Bars)	04-15	BLM8207-3F		BLM8206-1R
Scrambler 865	06-13	BLM8208-1F		
Speed Four	03-06	BLM8209-2F		BLM8209-1R
Speed III	94-96	BLM8210-3F	BLMR8210-2F	BLM8210-1R
Speed III T509	97-03	BLM8211-2F	BLMR8211-2F	BLM8211-1R
Speed Triple 1050	04-10	BLM8212-3F	BLMR8212-2F	BLM8212-1R
Speedmaster	03-11	BLM8213-2F	BLMR8213-2F	BLM8213-1R
Sprint	93-97	BLM8214-3F	BLMR8214-2F	BLM8214-1R
Sprint RS	99-05	BLM8215-2F		BLM8215-1R
Sprint ST 1050 (Non ABS) To Vin 291665	05-12	BLM8216-2F		BLM8216-1R
Sprint ST/Executive	98-03	BLM8217-2F	BLMR8217-2F	BLM8217-1R
Sprint ST/Executive Late 03 On	03-	BLM8218-2F		BLM8218-1R
Street Triple 675	06-15	BLM8219-2F	BLMR8219-2F	BLM8219-1R
Street Triple 675R	09-15	BLM8220-2F	BLMR8220-2F	BLM8220-1R
Street Twin	17-	BLM8240-3F		BLM8240-2R
Thunderbird (Low Bar)	95-02	BLM8221-1F		BLM8205-1R
Thunderbird 900 Sport	98-03	BLM8222-3F		BLM8222-1R
Thunderbird/Adventurer	95-03	BLM8223-1F		BLM8205-1R
Tiger	93-99	BLM8224-3F	BLMR8224-2F	BLM8224-1R
Tiger 1050 (Non ABS)	13	BLM8225-3F		BLM8225-1R
Tiger 800 XC	11-14		BLMR8226-2F	BLM8226-1R
Tiger 955	00-03	BLM8227-2F		BLM8227-1R
Trident 750/900	-91	BLM8228-3F	BLMR8228-2F	BLM8228-1R
Trident 750/900	91-98	BLM8229-3F	BLMR8229-2F	BLM8228-1R
Trophy 900/1200 (From Vin 71699)	03-	BLM8230-2F		BLM8230-1R
Trophy 900/1200 (Up To Vin 71698)	-03	BLM8231-3F	BLMR8231-2F	BLM8231-1R
TT 600	00-03	BLM8232-2F	BLMR8232-2F	BLM8232-1R

FRONT / AVANT / VORN / FRENTE / ANTERIORE

REAR / ARRIÈRE / HINTEN / POSTERIOR / POSTERIORE

BRAKE
LINES

BRAKE LINES



YAMAHA



		OE Replacement Brake Lines (Front)	Race Standard Brake Lines (Front)	OE Replacement Brake Lines (Rear)
DT 125 X	06	BLM2002-1F		BLM2002-1R
TDR 125	93-97	BLM2072-1F		BLM2072-1R
TZR 125	87-97	BLM2079-1F		BLM2079-1R
YZFR 125	08-13	BLM2146-1F		BLM2146-1R
YZF-R125	14-16	BLM2163-1F		BLM2163-1R
FZ1 Fazer	06-13	BLM2010-3F	BLMR2010-2F	BLM2010-1R
TDR 250	88-92	BLM2073-1F		BLM2073-1R
TDM 250	88-90	BLM2068-1F		
RD 250 LC	80-85	BLM2057-1F		
TZ 250	91-		BLMR2078-2F	BLM2078-1R
XS 250 SE	80-85	BLM2101-1F		
RD 350 LC	80-83	BLM2058-3F	BLMR2058-2F	
XT 350	85-96	BLM2116-1F		BLM2116-1R
FZR 400 Exup Import	85-89	BLM2022-3F	BLMR2022-2F	BLM2022-1R
FZR 400 Genesis Import	85-87	BLM2023-3F	BLMR2023-2F	
FZR 400 RR	92-96	BLM2024-3F	BLMR2024-2F	BLM2024-1R
FZR 400 RRSP	91-92	BLM2025-3F	BLMR2025-2F	BLM2025-1R
XS 400 SE Single Disc	80-83	BLM2102-2F		
XS 400 SE Single Disc	78	BLM2103-1F		
SR 500 Single Disc	78-83	BLM2065-2F		
XS 500 C	76	BLM2104-1F		BLM2104-1R
XV 535 (High Bar)	88-03	BLM2131-1F		
XV 535 (Low Bar)	88-02	BLM2132-1F		
XJ 550	81-85	BLM2082-3F		
XZ 550	82-85	BLM2141-3F		
FZ6	04-06	BLM2011-3F	BLMR2011-2F	BLM2011-1R
FZ6 S2	07-08	BLM2012-2F	BLMR2012-2F	BLM2011-1R
FZ 600	87-88	BLM2013-3F	BLMR2013-2F	BLM2013-1R
FZR 600	89-90	BLM2026-3F	BLMR2026-2F	BLM2026-1R
FZR 600 Genesis	91-93	BLM2027-3F	BLMR2027-2F	BLM2027-1R
FZR 600 R	94-96	BLM2028-2F		BLM2028-1R
FZS 600 Fazer	98-03	BLM2032-3F	BLMR2032-2F	BLM2032-1R
R6	08-15		BLMR2049-2F	BLM2049-1R
R6	06-07		BLMR2048-2F	BLM2048-1
R6	05	BLM2047-3F	BLMR2047-2F	BLM2047-1R
R6	03-04	BLM2046-2F		BLM2046-1R
R6	98-02	BLM2045-2F		BLM2045-1R
XJ 600	84-92	BLM2084-3F		BLM2084-1R
XJ 600 N	94-97	BLM2085-1F		BLM2085-1R
XJ 600 N/S Diversion	98-03	BLM2086-2F		BLM2086-1R
XJ 600 S Diversion	92-97	BLM2087-1F		BLM2085-1R
XJ6/XJ6 Diversion/XJ6 SP	09-13	BLM2083-2F	BLMR2083-2F	BLM2083-1R
XT 600 Tenere	86-90	BLM2118-1F		BLM2118-1R
XT 600 E	93-03	BLM2119-1F		BLM2119-1R
YF 600 R Thundercat	96-03	BLM2144-2F		BLM2144-1R
XJ 650	80-84	BLM2088-3F		
XJ 650 Turbo	82-85	BLM2089-3F		
XS 650	77	BLM2105-2F		
XS 650	81-82	BLM2106-3F		
XS 650 (Twin Disc)	75	BLM2107-3F		
XS 650 (2)	72	BLM2108-1F		
XS 650 C	75	BLM2109-3F		
XS 650 E	79-80	BLM2110-3F		
XVS 650 Drag Star	97-03	BLM2137-1F		
XVS 650 A Drag Star Classic	98-03	BLM2138-1F		
SZR 660	96-97	BLM2067-1F		BLM2067-1R
XT 660 R	04-13	BLM2120-1F		BLM2120-1R
XT 660 X	04-13	BLM2121-1F		BLM2121-1R
XT 660 Z	09-13	BLM2122-3F		BLM2122-1R
XTZ 660	91-99	BLM2119-1F		BLM2119-1R
MT-07	14-17	BLM2153-3F		BLM2153-4R
MT-07 Tracer	16-17	BLM2160-3F		BLM2160-4R
XSR 700	16-17	BLM2154-3F		BLM2154-4R

FRONT / AVANT / VORN / FRENTE / ANTERIORE

REAR / ARRIÈRE / HINTEN / POSTERIOR / POSTERIORE

BRAKE
LINES

BRAKE LINES



YAMAHA



		OE Replacement Brake Lines (Front)	Race Standard Brake Lines (Front)	OE Replacement Brake Lines (Rear)
FZ 750	85-86	BLM2014-3F	BLMR2014-2F	BLM2014-1R
FZ 750	87-88	BLM2015-3F	BLMR2015-2F	BLM2015-1R
FZR 750	89-92	BLM2029-3F	BLMR2029-2F	BLM2029-1R
FZR 750 R OW01	89-92	BLM2030-2F		BLM2030-1R
FZS 750	87-89	BLM2033-3F	BLMR2033-2F	BLM2033-1R
XJ 750 Antidive	82-84	BLM2090-5F		
XS 750	78-79	BLM2111-3F		BLM2111-1R
XS 750 E	77-78	BLM2112-3F		BLM2112-1R
XS 750 SE	80-82	BLM2113-3F		BLM2113-1R
XTZ 750 Super Tenere	89-96	BLM2124-3F	BLMR2124-2F	BLM2124-1R
XV 750	92-97	BLM2133-3F		
XV 750 SE	81-83	BLM2134-1F		
YZF 750	93-97	BLM2145-2F		BLM2145-1R
FZ8-Non ABS	10-13		BLMR2016-2F	BLM2016-1R
TDM 850	91-96	BLM2069-3F	BLMR2069-2F	BLM2069-1R
TDM 850	97-02	BLM2070-3F	BLMR2070-2F	BLM2069-1R
TRX 850	96-00	BLM2074-2F		BLM2074-1R
XS 850	80-85	BLM2114-3F		BLM2114-1R
MT-09	13-16	BLM2037-2F		BLM2037-1R
TDM 900 Non ABS	02-13	BLM2071-3F	BLMR2071-2F	BLM2071-1R
XJ 900	83-85	BLM2091-3F		BLM2091-1R
XJ 900 F	85-94	BLM2092-3F		BLM2092-1R
XJ 900 S Diversion	94-96	BLM2093-2F		BLM2093-1R
XJ 900 S Diversion	97-03	BLM2094-3F	BLMR2094-2F	BLM2094-1R
FZR 1000 Ex-Up	95-96	BLM2017-2F		BLM2017-1R
FZR 1000 Ex-Up	89-90	BLM2018-2F		BLM2018-1R
FZR 1000 Ex-Up	91	BLM2019-3F	BLMR2019-2F	BLM2019-1R
FZR 1000 Genesis	87-88	BLM2020-3F	BLMR2020-2F	BLM2020-1R
FZR 1000 RU	92-94	BLM2021-3F	BLMR2021-2F	BLM2021-1R
FZS 1000 Fazer	01-05	BLM2031-3F	BLMR2031-2F	BLM2031-1R
GTS 1000 A	93-96	BLM2034-7FR		Supplied as front & rear kit complete
XV 1000 TR1	81-85	BLM2125-3F		
XV 1000 Virago	86-89	BLM2126-3F		
XV 1000 Virago	89-99	BLM2127-3F	BLMR2127-2F	
YZF 1000 R Thunderace	96-02	BLM2143-2F		BLM2143-1R
R1	98-01	BLM2039-2F		BLM2039-1R
R1	02-03		BLMR2040-2F	BLM2040-1R
R1	04-05		BLMR2041-2F	BLM2041-1R
R1	06		BLMR2041-2F	BLM2042-1R
R1	07-08		BLMR2043-2F	BLM2043-1R
R1	09-14		BLMR2044-2F	BLM2044-1R
BT 1100 Bulldog	01-03	BLM2000-3F		BLM2000-1R
FJ 1100	85-86	BLM2003-5F		BLM2003-1R
XS 1100	78-80	BLM2099-3F		BLM2099-1R
XS 1100 S	78-84	BLM2100-3F		BLM2099-1R
XVS 1100/A Dragstar	98-06	BLM2135-3F		BLM2135-1R
XVS 1100/A Dragstar Classic	98-06	BLM2136-3F		BLM2135-1R
FJ 1200 (Antidive)	86-87	BLM2004-5F		BLM2004-1R
FJ 1200 (Non Antidive)	88-96	BLM2005-3F	BLMR2005-2F	BLM2005-1R
FJ 1200 ABS	91-96	BLM2006-6F		BLM2006-2R
XJR 1200	95-98	BLM2095-2F		BLM2095-1R
V-MAX	91-04	BLM2081-3F	BLMR2081-2F	BLM2081-1R
FJR 1300	00-02	BLM2007-3F		BLM2007-1R
FJR 1300	03-04	BLM2008-3F		BLM2007-1R
XJR 1300	99-01	BLM2096-3F	BLMR2096-2F	BLM2096-1R
XJR 1300	02-03		BLMR2097-2F	BLM2097-1R
XJR 1300	04-13		BLMR2098-2F	BLM2098-1R
XVZ 1300 A/AT Royal Star/Tour Classic	96-99	BLM2139-3F	BLMR2139-2F	BLM2139-1R
XVZ 1300 TF Venture Star	00-02	BLM2129-3F		BLM2129-1R
XV 1600 Wild Star	98-03	BLM2129-3F		BLM2129-1R
XV 1900 Midnight Star	05-09	BLM2130-3F	BLMR2130-2F	BLM2130-1R

FRONT / AVANT / VORN / FRENTE / ANTERIORE

REAR / ARRIÈRE / HINTEN / POSTERIOR / POSTERIORE

BRAKE
LINES

BRAKE PADS AND DISCS FOR POLARIS SLINGSHOT



EBC BRAKE STANDARD ORGANIC BRAKE PADS

A direct equivalent to the OE brake pads, suitable for every day driving. This is our quietest pad formulation for silent braking – progressive braking with excellent cold friction.

EBC BRAKE YELLOW CODED UPGRADE BRAKE PADS

For faster driving, these pads give excellent cold bite and high temperature fade resistance. Stopping distances are drastically reduced, progressive braking with unparalleled pedal feel.



EBC BRAKE DISCS – OE QUALITY REPLACEMENT

EBC brake discs are cast using high quality G3000 alloy making this a premium OE quality replacement brake disc for your Slingshot. Black thermic coated for aesthetics and corrosion protection.

EBC BRAKE DISCS – BSD BLADE SERIES

The unique BSD blade slot design removes hot gasses from the heart of the braking zone allowing for quicker and more effective dissipation of heat.

COMPLETE VEHICLE STANDARD BRAKE KIT

This money saving kit includes one set of standard organic brake pads for both the front and rear of your vehicle, plus two OE quality brake discs for the front and one for the rear.

COMPLETE VEHICLE UPGRADE BRAKE KIT

This upgrade kit includes one set of yellow coded upgrade brake pads for both the front and rear of your vehicle, plus two BSD blade slotted brake discs for the front and one for the rear.



Model	Year	FRONT				REAR				FULL VEHICLE		
		STANDARD BLACK BRAKE PADS (INC. 4 PADS FOR LEFT AND RIGHT FITMENTS)	UPGRADE YELLOW BRAKE PADS (INC. 4 PADS FOR LEFT AND RIGHT FITMENTS)	STANDARD DISC LEFT (GROUP)	STANDARD DISC RIGHT (GROUP)	BSD SPORT SLOTTED DISC KIT (2 PCS)	STANDARD BLACK BRAKE PADS (2 PCS)	UPGRADE YELLOW BRAKE PADS (2 PCS)	STANDARD DISC (GROUP)	BSD SPORT SLOTTED DISC	COMPLETE STANDARD BRAKE KIT (1 X FRONT PADS, 1 X REAR PADS, 2 X FRONT DISCS, 1 X REAR DISC)	COMPLETE UPGRADE BRAKE KIT (1 X FRONT PADS, 1 X REAR PADS, 2 X FRONT DISCS, 1 X REAR DISC)
Slingshot Base	15-17	FA669/4	FA4669/4	019	019	MD533BSDF	FA670	FA4670	019	MD533BSDR	MDK533STD	MDK533BSD
Slingshot S	18-22	FA669/4	FA4669/4	019	019	MD533BSDF	FA670	FA4670	019	MD533BSDR	MDK533STD	MDK533BSD
Slingshot SL	15-23	FA669/4	FA4669/4	019	019	MD533BSDF	FA670	FA4670	019	MD533BSDR	MDK533STD	MDK533BSD
Slingshot SL SE	22-23	FA669/4	FA4669/4	019	019	MD533BSDF	FA670	FA4670	019	MD533BSDR	MDK533STD	MDK533BSD
Slingshot SLR	17-23	FA669/4	FA4669/4				FA670	FA4670				

FOR FULL APPLICATION INFORMATION PLEASE SEE PAGES 342-343

SMX 320mm OVERSIZE BRAKE DISC KITS

Supermoto 320mm oversize disc kits offer a perfect brake set-up for street riding on any offroad machine. These kits work with the standard brakes when fitted with a CNC machined caliper relocation bracket. See table for model listings.



SMX 320mm disc with vee contour design upgrade kits complete with caliper relocation bracket.

SMX Kits			Part No.	Part No.
Make	Model	Year	320mm Oversize	Relocation Bracket
HONDA	CR 250RS	1995-1996	SMX6037	BRK009
HONDA	CR 250R	1997-2001	SMX6037	BRK009
HONDA	CR 250R	2002-2003	SMX6037	BRK009
HONDA	CR 250R	2004-2007	SMX6037	BRK009
HONDA	CRF 250F	2019-2023	SMX6437	BRK006
HONDA	CRF 250R	2004-2007	SMX6437	BRK006
HONDA	CRF 250R	2008-2016	SMX6437	BRK006
HONDA	CRF 250R AC	2015-2024	SMX6389	BRK041
HONDA	CRF 250RX	2019-2024	SMX6389	BRK041
HONDA	CRF 250X	2004-2020	SMX6437	BRK006
HONDA	CRF 250XRL	2014-2020	SMX6437	BRK006
HONDA	CRM 250MD24 140 MK3 RR	1994-1996	SMX6001	BRK009
HONDA	CRM 250AR MD32	1997-1998	SMX6001	BRK009
HONDA	XR 250R	1996-2004	SMX6001	BRK009
HONDA	XR 300 R10	2010	SMX6010	BRK009
HONDA	XR 400R	1996-2004	SMX6001	BRK009
HONDA	CRF 450L	2018-2020	SMX6389	BRK041
HONDA	CRF 450R	2002-2003	SMX6037	BRK009
HONDA	CRF 450R	2004-2014	SMX6437	BRK006
HONDA	CRF 450R	2015-2024	SMX6389	BRK041
HONDA	CRF 450RL	2020-2024	SMX6389	BRK041
HONDA	CRF 450R-S	2022-2024	SMX6389	BRK041
HONDA	CRF 450RWE	2019-2024	SMX6389	BRK041
HONDA	CRF 450RX	2019-2024	SMX6389	BRK041
HONDA	CRF 450X	2005-2007	SMX6437	BRK006
HONDA	CRF 450X	2008-2016	SMX6437	BRK006
HONDA	CRF 450X	2017-2020	SMX6389	BRK041
HONDA	CRF 450XRL	2014-2016	SMX6437	BRK006
HONDA	CR 500R	1995-2001	SMX6037	BRK009
HONDA	XR 600R	1991-1992	SMX6001	BRK009
HONDA	XR 600R	1993-2000	SMX6001	BRK009
HONDA	XR 650L	1993-2021	SMX6010	BRK009
HONDA	XR 650R	2000-2007	SMX6001	BRK009
KAWASAKI	KX 250K	1994	SMX6015	BRK024
KAWASAKI	KX 250K	1995-2002	SMX6015	BRK024
KAWASAKI	KX 250M	2003-2005	SMX6213	BRK024
KAWASAKI	KX 250R	2006-2008	SMX6264	BRK024
KAWASAKI	KX 250F	2004-2005	SMX6213	BRK024
KAWASAKI	KX 250F	2006-2008	SMX6264	BRK024
KAWASAKI	KX 250F	2009-2014	SMX6264	BRK024
KAWASAKI	KX 250F	2015-2018	SMX6264	BRK024
KAWASAKI	KX 250F	2019-2024	SMX6264	BRK024
KAWASAKI	KX 250F X Enduro 4T	2021-2023	SMX6264	BRK024
KAWASAKI	KLX 400 R	2003-2004	SMX6017	BRK024
KAWASAKI	KLX 450 R	2008-2018	SMX6264	BRK024
KAWASAKI	KX 450F	2006-2014	SMX6264	BRK024
KAWASAKI	KX 450F	2015-2018	SMX6264	BRK024
KAWASAKI	KX 450F	2019-2020	SMX6264	BRK024
KAWASAKI	KX 450F	2021-2024	SMX6264	BRK024
KAWASAKI	KX 450 F Tomac 4T	2019	SMX6264	BRK024
KAWASAKI	KX 450 F X Enduro	2021-2023	SMX6264	BRK024
KAWASAKI	KX 500E	1994-1995	SMX6015	BRK024
KAWASAKI	KX 500E	1996-2004	SMX6015	BRK024
SUZUKI	RM 250T/V/W	1996-1998	SMX6017	BRK024
SUZUKI	RM 250	1999-2005	SMX6017	BRK024
SUZUKI	RM 250	2006-2012	SMX6017	BRK024
SUZUKI	RM 250XCK8	2009	SMX6017	BRK024
SUZUKI	RMX 250T/V/W	1996-1998	SMX6017	BRK024
SUZUKI	RMX 250S/J14A	1996-1999	SMX6017	BRK024
SUZUKI	RM-Z 250	2004-2006	SMX6213	BRK024
SUZUKI	RM-Z 250	2007	SMX6254	BRK024
SUZUKI	RM-Z 250	2008-2018	SMX6254	BRK024
SUZUKI	RM-Z 250	2019-2024	SMX6254	BRK024
SUZUKI	DR 350SE	1998-1999	SMX6017	BRK024
SUZUKI	DR-Z 400E	2000-2007	SMX60171	BRK024
SUZUKI	RM-X 450ZL0/ZL2	2010-2015	SMX6254	BRK024
SUZUKI	RM-Z 450K	2005-2007	SMX6254	BRK024

SMX Kits			Part No.	Part No.
Make	Model	Year	320mm Oversize	Relocation Bracket
SUZUKI	RM-Z 450	2008-2017	SMX6254	BRK024
YAMAHA	WR 250ZK 5EN1	1998	SMX6028	BRK009
YAMAHA	WR 250FN	2001	SMX6028	BRK009
YAMAHA	WR 250FP	2002	SMX6028	BRK009
YAMAHA	WR 250F	2003-2006	SMX6028	BRK009
YAMAHA	WR 250F	2007-2013	SMX6028	BRK009
YAMAHA	WR 250F	2015-2016	SMX6028	BRK009
YAMAHA	YZ 250	1998-2000	SMX6028	BRK009
YAMAHA	YZ 250N	2001	SMX6028	BRK009
YAMAHA	YZ 250P	2002	SMX6028	BRK009
YAMAHA	YZ 250	2003-2007	SMX6028	BRK009
YAMAHA	YZ 250	2008-2016	SMX6728	BRK034
YAMAHA	YZ 250FN	2001	SMX6028	BRK009
YAMAHA	YZ 250FP	2002	SMX6028	BRK009
YAMAHA	YZ 250F	2003-2006	SMX6028	BRK009
YAMAHA	YZ 250F	2007-2015	SMX6728	BRK034
YAMAHA	YZ 400FK	1998	SMX6028	BRK009
YAMAHA	YZ 400FL	1999	SMX6028	BRK009
YAMAHA	WR 400FK	1998	SMX6028	BRK009
YAMAHA	WR 400FL/FM	1999-2000	SMX6028	BRK009
YAMAHA	WR 400FN	2001	SMX6028	BRK009
YAMAHA	WR 426FN	2001	SMX6028	BRK009
YAMAHA	WR 426FP	2002	SMX6028	BRK009
YAMAHA	YZ 426FN	2000	SMX6028	BRK009
YAMAHA	YZ 426FP	2001	SMX6028	BRK009
YAMAHA	WR 450F	2003-2006	SMX6028	BRK009
YAMAHA	WR 450F	2007-2015	SMX6028	BRK009
YAMAHA	YZ 450F	2003-2006	SMX6028	BRK009
YAMAHA	YZ 450F	2007	SMX6028	BRK009
YAMAHA	YZ 450F	2008-2015	SMX6728	BRK034
BMW	G 450X	2008-2011	SMX6343	BRK012
HUSABERG	All models	1993-1994	SMX6125	BRK007
HUSABERG	All models	1995-1999	SMX6125	BRK007
HUSABERG	All models	2000-2005	SMX6032	BRK012
HUSQVARNA	TE 125	2012-2014	SMX6932	BRK014
HUSQVARNA	TE 250	2011-2014	SMX6932	BRK014
HUSQVARNA	TE 300	2011-2014	SMX6932	BRK014
HUSQVARNA	FE 250	2013-2014	SMX6932	BRK014
HUSQVARNA	FE 350	2013-2014	SMX6932	BRK014
HUSQVARNA	FE 390	2010-2012	SMX6932	BRK014
HUSQVARNA	FE 450 E	2006-2008	SMX6032	BRK012
HUSQVARNA	FE 450	2009-2013	SMX6932	BRK014
HUSQVARNA	FX 450	2010-2011	SMX6932	BRK014
HUSQVARNA	FE 501	2013-2014	SMX6932	BRK014
HUSQVARNA	FE 550 E	2006-2008	SMX6032	BRK012
HUSQVARNA	FE 570	2009-2012	SMX6932	BRK014
HUSQVARNA	FE 650 E	2006-2008	SMX6032	BRK012
HUSQVARNA	CR 250	1995-1999	SMX6125	BRK007
HUSQVARNA	CR 250	2000-2001	SMX6184H	BRK007
HUSQVARNA	CR 250	2000-2001	SMX6184K	BRK012
HUSQVARNA	CR 250	2002-2004	SMX6184H	BRK007
HUSQVARNA	CR 250	2002-2004	SMX6184K	BRK012
HUSQVARNA	CR 250	2005-2007	SMX6184H	BRK007
HUSQVARNA	CR 250	2005-2007	SMX6184K	BRK012
HUSQVARNA	FC 250	2014-2024	SMX6932	BRK014
HUSQVARNA	FE 250	2014-2024	SMX6932	BRK014
HUSQVARNA	TC 250	2002-2003	SMX6184H	BRK007
HUSQVARNA	TC 250	2002-2003	SMX6184K	BRK012
HUSQVARNA	TC 250	2005-2008	SMX6184H	BRK007
HUSQVARNA	TC 250	2005-2008	SMX6184K	BRK012
HUSQVARNA	TC 250	2009-2013	SMX6184K9	BRK014
HUSQVARNA	TC 250	2014-2024	SMX6932	BRK014
HUSQVARNA	TE 250	2002-2005	SMX6184H	BRK007
HUSQVARNA	TE 250	2002-2005	SMX6184K	BRK012
HUSQVARNA	TE 250	2006-2008	SMX6184H	BRK007
HUSQVARNA	TE 250	2006-2008	SMX6184K	BRK012

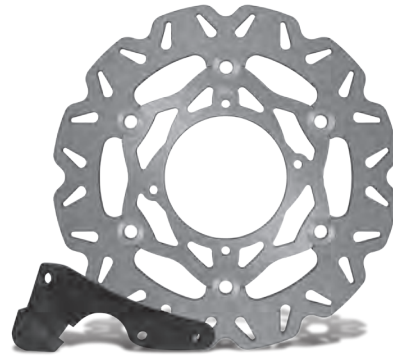
SMX 320mm OVERSIZE BRAKE DISC KITS

SMX Kits			Part No.	Part No.
Make	Model	Year	320mm Oversize	Relocation Bracket
HUSQVARNA	TE 250	2009-2010	SMX6184K9	BRK014
HUSQVARNA	TE 250	2011-2013	SMX6184K9	BRK014
HUSQVARNA	TE 250Meo Replica	2011	SMX6184K9	BRK014
HUSQVARNA	TE 250	2013	SMX6184K9	BRK014
HUSQVARNA	TE 250	2014-2018	SMX6932	BRK014
HUSQVARNA	TE 250Tpi	2019-2024	SMX6932	BRK014
HUSQVARNA	WR 250	1995-1999	SMX6125	BRK007
HUSQVARNA	WR 250	2000-2001	SMX6184H	BRK007
HUSQVARNA	WR 250	2000-2001	SMX6184K	BRK012
HUSQVARNA	WR 250	2002-2005	SMX6184H	BRK007
HUSQVARNA	WR 250	2002-2005	SMX6184K	BRK012
HUSQVARNA	WR 250	2006-2008	SMX6184H	BRK007
HUSQVARNA	WR 250	2006-2008	SMX6184K	BRK012
HUSQVARNA	WR 250	2009-2013	SMX6184H	BRK007
HUSQVARNA	WR 250	2009-2013	SMX6184K	BRK012
HUSQVARNA	WR 300	2009-2013	SMX6184H	BRK007
HUSQVARNA	WR 300	2009-2013	SMX6184K	BRK012
HUSQVARNA	TE 300	2014-2020	SMX6932	BRK014
HUSQVARNA	TE 300Tpi	2019-2024	SMX6932	BRK014
HUSQVARNA	TE 300Tpi Jarvis Edition	2019-2021	SMX6932	BRK014
HUSQVARNA	TE 300Tpi RockStar Edition	2022	SMX6932	BRK014
HUSQVARNA	TE 310	2010	SMX6184K9	BRK014
HUSQVARNA	TE 310	2011-2013	SMX6184K9	BRK014
HUSQVARNA	TE 310	2013	SMX6184K9	BRK014
HUSQVARNA	FC 350	2014-2024	SMX6932	BRK014
HUSQVARNA	FE 350	2014-2024	SMX6932	BRK014
HUSQVARNA	FE 350	2022	SMX6932	BRK014
HUSQVARNA	TE 350	1995-1997	SMX6125	BRK007
HUSQVARNA	TE 400	2002	SMX6184H	BRK007
HUSQVARNA	TE 400	2002	SMX6184K	BRK012
HUSQVARNA	TE 410	1995-1999	SMX6125	BRK007
HUSQVARNA	TE 410	2000	SMX6184H	BRK007
HUSQVARNA	TE 410	2000	SMX6184K	BRK012
HUSQVARNA	TE 410	2006	SMX6184H	BRK007
HUSQVARNA	TE 410	2006	SMX6184K	BRK012
HUSQVARNA	TE 410E	2000	SMX6184H	BRK007
HUSQVARNA	TE 410E	2000	SMX6184K	BRK012
HUSQVARNA	TC 449	2011-2013	SMX6184K9	BRK014
HUSQVARNA	TC 449	2011-2013	SMX6184K9	BRK014
HUSQVARNA	FC 450	2014-2024	SMX6932	BRK014
HUSQVARNA	FC 450 Rockstar Edition	2019-2022	SMX6932	BRK014
HUSQVARNA	FE 450	2014-2024	SMX6932	BRK014
HUSQVARNA	FR 450 Rally	2016-2020	SMX6932	BRK014
HUSQVARNA	FS 450	2015-2024	SMX6932	BRK014
HUSQVARNA	FX 450	2017-2021	SMX6932	BRK014
HUSQVARNA	TC 450	2003-2004	SMX6184H	BRK007
HUSQVARNA	TC 450	2003-2004	SMX6184K	BRK012
HUSQVARNA	TC 450	2005-2008	SMX6184H	BRK007
HUSQVARNA	TC 450	2005-2008	SMX6184K	BRK012
HUSQVARNA	TC 450	2009-2010	SMX6184H	BRK007
HUSQVARNA	TC 450	2009-2010	SMX6184K	BRK012
HUSQVARNA	TE 450	2003-2005	SMX6184H	BRK007
HUSQVARNA	TE 450	2003-2005	SMX6184K	BRK012
HUSQVARNA	TE 450	2006-2008	SMX6184H	BRK007
HUSQVARNA	TE 450	2006-2008	SMX6184K	BRK012
HUSQVARNA	TE 450	2009-2010	SMX6184H	BRK007
HUSQVARNA	TE 450	2009-2010	SMX6184K	BRK012
HUSQVARNA	FE 501 inc S Model	2014-2024	SMX6932	BRK014
HUSQVARNA	TC 510	2004	SMX6184H	BRK007
HUSQVARNA	TC 510	2004	SMX6184K	BRK012
HUSQVARNA	TC 510	2005-2008	SMX6184H	BRK007
HUSQVARNA	TC 510	2005-2008	SMX6184K	BRK012
HUSQVARNA	TE 510	2004-2005	SMX6184H	BRK007
HUSQVARNA	TE 510	2004-2005	SMX6184K	BRK012
HUSQVARNA	TE 510	2006-2008	SMX6184H	BRK007
HUSQVARNA	TE 510	2006-2008	SMX6184K	BRK012
HUSQVARNA	TE 510	2009-2010	SMX6184H	BRK007
HUSQVARNA	TE 510	2009-2010	SMX6184K	BRK012
HUSQVARNA	TE 511	2011-2012	SMX6184K9	BRK014
HUSQVARNA	TC 570	2002-2003	SMX6184H	BRK007
HUSQVARNA	TC 570	2002-2003	SMX6184K	BRK012
HUSQVARNA	TE 570	2001	SMX6184H	BRK007
HUSQVARNA	TE 570	2001	SMX6184K	BRK012
HUSQVARNA	TE 570	2002-2004	SMX6184H	BRK007
HUSQVARNA	TE 570	2002-2004	SMX6184K	BRK012
HUSQVARNA	SM 610	2000	SMX6184H	BRK007
HUSQVARNA	SM 610	2000	SMX6184K	BRK012
HUSQVARNA	TC 610E	1995-1999	SMX6125	BRK007
HUSQVARNA	TC 610	2000	SMX6184H	BRK007
HUSQVARNA	TC 610	2000	SMX6184K	BRK012
HUSQVARNA	TE 610	2000	SMX6125	BRK007
HUSQVARNA	TE 610	1995-1999	SMX6125	BRK007
HUSQVARNA	TE 610	2000	SMX6125	BRK007
HUSQVARNA	TE 610	2003-2004	SMX6125	BRK007
HUSQVARNA	TE 610	2006-2009	SMX6184H	BRK007

SMX Kits			Part No.	Part No.
Make	Model	Year	320mm Oversize	Relocation Bracket
HUSQVARNA	TE 610	2006-2009	SMX6184K	BRK012
HUSQVARNA	TE 630	2010-2012	SMX6184H	BRK007
HUSQVARNA	TE 630	2010-2012	SMX6184K	BRK012
KTM	EXC/EGS 125	1994	SMX6032E	BRK016
KTM	EXC 125	1995-1999	SMX6032E	BRK016
KTM	EXC 125	2000-2003	SMX6032	BRK012
KTM	EXC 125	2004-2008	SMX6032	BRK012
KTM	EXC 125	2009-2017	SMX6932	BRK014
KTM	EXC 125Six Days	2011-2017	SMX6932	BRK014
KTM	EXE 125	2000	SMX6032	BRK012
KTM	MX 125	1992-1993	SMX6032E	BRK016
KTM	SX 125	1994-1999	SMX6032	BRK012
KTM	SX 125	2000-2003	SMX6032E	BRK016
KTM	SX 125	2004-2008	SMX6032	BRK012
KTM	SX 125	2009-2024	SMX6932	BRK014
KTM	XC-W 125	2017-2019	SMX6932	BRK014
KTM	150 EXC Tpi	2021-2024	SMX6932	BRK014
KTM	SX 150	2008	SMX6032	BRK012
KTM	SX 150	2009-2022	SMX6932	BRK014
KTM	XC 150	2011-2013	SMX6932	BRK014
KTM	XC-W 150Tpi	2017-2021	SMX6932	BRK014
KTM	EXC 200	2004-2008	SMX6032	BRK012
KTM	EXC 200Inc Six Days	2009-2016	SMX6932	BRK014
KTM	EXC 250	1995-1999	SMX6032E	BRK016
KTM	EXC 250	2000-2003	SMX6032	BRK012
KTM	EXC 250	2004-2008	SMX6032	BRK012
KTM	EXC 250	2009-2017	SMX6932	BRK014
KTM	EXC 250Tpi	2018-2024	SMX6932	BRK014
KTM	EXC 250Six Days	2011-2018	SMX6932	BRK014
KTM	EXC 250Six Days Tpi	2019-2024	SMX6932	BRK014
KTM	EXC 250Racing	2006	SMX6032	BRK012
KTM	EXC-F 250	2006-2008	SMX6032	BRK012
KTM	EXC-F 250	2009-2024	SMX6932	BRK014
KTM	EXC-F 250Six Days	2011-2024	SMX6932	BRK014
KTM	MX 250	1992-1993	SMX6032E	BRK016
KTM	SX 250	1994-1999	SMX6032E	BRK016
KTM	SX 250	2000-2002	SMX6032	BRK012
KTM	SX 250	2003-2008	SMX6032	BRK012
KTM	SX 250	2009-2024	SMX6932	BRK014
KTM	SX-F 250	2006-2008	SMX6032	BRK012
KTM	SX-F 250	2009-2024	SMX6932	BRK014
KTM	SX-F 250Prado	2020	SMX6932	BRK014
KTM	SX-F 250Ken Roczen Edition	2012	SMX6932	BRK014
KTM	XC 250	2011-2017	SMX6932	BRK014
KTM	XC 250Tpi	2019-2022	SMX6932	BRK014
KTM	XC-F 250	2011-2020	SMX6932	BRK014
KTM	EXC 300	2000-2003	SMX6032	BRK012
KTM	EXC 300	2004-2008	SMX6032	BRK012
KTM	EXC 300	2009-2019	SMX6932	BRK014
KTM	EXC 300Tpi	2019-2024	SMX6932	BRK014
KTM	EXC 300Six Days	2011-2020	SMX6932	BRK014
KTM	EXC 300Tpi Six Days	2020-2024	SMX6932	BRK014
KTM	EXC-E 300	2008-2009	SMX6032	BRK012
KTM	SX 300	2023-2024	SMX6932	BRK014
KTM	XC 300	2011-2023	SMX6932	BRK014
KTM	EXC 350LC4	1994-1995	SMX6032E	BRK016
KTM	EXC 350	1996-1997	SMX6032E	BRK016
KTM	EXC-F 350	2011-2024	SMX6932	BRK014
KTM	EXC-F 350Six Days	2012-2024	SMX6932	BRK014
KTM	EXC-F 350WESS Edition	2021-2022	SMX6932	BRK014
KTM	EXC-F 350Factory Edition	2022	SMX6932	BRK014
KTM	SX-F 350	2011-2024	SMX6932	BRK014
KTM	SX-F 350Tony Cairoli Edition	2012	SMX6932	BRK014
KTM	XC-F 350Inc XCF-W	2012-2021	SMX6932	BRK014
KTM	EXC 450	2003	SMX6032	BRK012
KTM	EXC 450	2004-2008	SMX6032	BRK012
KTM	EXC-F 450	2009-2024	SMX6932	BRK014
KTM	EXC-F 450Six Days	2011-2024	SMX6932	BRK014
KTM	EXC 450Racing	2006-2007	SMX6032	BRK012
KTM	EXC-R 450	2008	SMX6032	BRK012
KTM	SX 450	2003-2006	SMX6032	BRK012
KTM	SX-F 450	2007-2008	SMX6032	BRK012
KTM	SX-F 450	2009-2024	SMX6932	BRK014
KTM	SX-F 450Cairoli Edition	2021-2022	SMX6932	BRK014
KTM	EXC-F 500	2012-2024	SMX6932	BRK014
KTM	EXC 500Six Days	2012-2024	SMX6932	BRK014
KTM	SX-F 505	2007-2008	SMX6032	BRK012
KTM	SX-F 505	2009	SMX6932	BRK014
KTM	EXC 520	2001-2003	SMX6032	BRK012
KTM	SX 520	2001-2003	SMX6032	BRK012
KTM	SX 525	2003-2006	SMX6032	BRK012
KTM	XC 525	2006-2007	SMX6032	BRK012
KTM	EXC 530	2009-2010	SMX6032	BRK012
KTM	EXC 530Six Days	2011	SMX6932	BRK014
KTM	EXC-R 530	2008	SMX6032	BRK012

OSX 250/280mm OVERSIZE BRAKE DISC KITS

Enduro and motocross riders searching for better performance and stopping power. Increasing the size of brake disc will improve brake performance and modulation. Complete with a CNC machined caliper relocation bracket and a full floating brake disc. See the table for model listings



250 or 280mm motocross oversize disc kit complete with relocation brackets for improved brake power and control with vee contour design disc.

OSX Kits			Part No.	Part No.
Make	Model	Year	250/280 Oversize	Relocation Bracket
HONDA	CR 125R	1992-1994	OSX6001E	BRK004
HONDA	CR 125R	1995-1997	OSX6037	BRK004
HONDA	CR 125R	1998-2001	OSX6037	BRK004
HONDA	CR 125R	2002-2003	OSX6037	BRK004
HONDA	CR 125R	2004-2007	OSX6437	BRK005
HONDA	Monkey 125 M AC	2018-2024	OSX1191	BRK048
HONDA	MSX 125Grom	2013-2021	OSX1183	BRK037
HONDA	MSX 125Grom	2018-2024	OSX1191	BRK048
HONDA	ST 125Dax	2022-2024	OSX1191	BRK048
HONDA	CRF 150F	2003-2020	OSX6317	BRK009
HONDA	CRF 150R	2003-2022	OSX6314	BRK026
HONDA	CRF 150RB Expert	2003-2022	OSX6314	BRK026
HONDA	CRF 230F AC	2004-2020	OSX6001	BRK008
HONDA	CRF 230L	2008-2010	OSX6001	BRK008
HONDA	CRF 230M	2009-2010	OSX6001	BRK008
HONDA	CR 250R	1992-1994	OSX6001E	BRK004
HONDA	CR 250RS	1995-1996	OSX6037	BRK008
HONDA	CR 250R	1997-2001	OSX6037	BRK008
HONDA	CR 250R	2002-2003	OSX6037	BRK008
HONDA	CR 250R	2004-2007	OSX6037	BRK008
HONDA	CRF 250F	2019-2023	OSX6437	BRK005
HONDA	CRF 250R	2004-2007	OSX6437	BRK005
HONDA	CRF 250R	2008-2016	OSX6437	BRK005
HONDA	CRF 250R AC	2015-2024	OSX6389	BRK042
HONDA	CRF 250RX	2019-2024	OSX6389	BRK042
HONDA	CRF 250X	2004-2020	OSX6437	BRK005
HONDA	CRF 250XRL	2014-2020	OSX6437	BRK005
HONDA	CRM 250R MK2	1991-1992	OSX6001E	BRK004
HONDA	CRM 250R MK2/2	1993	OSX6001E	BRK004
HONDA	CRM 250RR MK3	1994-1996	OSX6001	BRK008
HONDA	CRM 250AR	1997-1998	OSX6001	BRK008
HONDA	XR 250R	1991-1995	OSX6001E	BRK004
HONDA	XR 250R	1996-2004	OSX6001	BRK008
HONDA	XR 400R	1996-2004	OSX6001	BRK008
HONDA	CRF 450L	2018-2020	OSX6389	BRK042
HONDA	CRF 450R	2002-2003	OSX6037	BRK008
HONDA	CRF 450R	2004-2014	OSX6437	BRK005
HONDA	CRF 450R	2015-2024	OSX6389	BRK042
HONDA	CRF 450RL	2020-2024	OSX6389	BRK042
HONDA	CRF 450R-S	2022-2024	OSX6389	BRK042
HONDA	CRF 450RWE	2019-2024	OSX6389	BRK042
HONDA	CRF 450RX	2019-2024	OSX6389	BRK042
HONDA	CRF 450X	2005-2007	OSX6437	BRK005
HONDA	CRF 450X	2008-2016	OSX6437	BRK005
HONDA	CRF 450X	2017-2020	OSX6389	BRK042
HONDA	CRF 450XRL	2014-2016	OSX6437	BRK005
HONDA	CR 500RL	1990-1991	OSX6001E	BRK004
HONDA	CR 500R	1992-1994	OSX6001E	BRK004
HONDA	CR 500R	1995-2001	OSX6037	BRK008
HONDA	XR 600R	1991-1992	OSX6001	BRK004
HONDA	XR 600R	1993-2000	OSX6001	BRK008
HONDA	XR 650R	2000-2007	OSX6001	BRK008
KAWASAKI	KX 85	2001-2024	OSX6186	BRK025
KAWASAKI	KX 125K1	1994	OSX6015	BRK023
KAWASAKI	KX 125K/L	1995-2002	OSX6015	BRK023
KAWASAKI	KX 125M	2003-2005	OSX6015	BRK023
KAWASAKI	KX 125M	2006-2008	OSX6015	BRK023
KAWASAKI	Z 125Pro	2016-2020	OSX4171	BRK040
KAWASAKI	Z 125Pro SE	2018-2020	OSX4171	BRK040
KAWASAKI	KX 250K	1994	OSX6015	BRK023
KAWASAKI	KX 250K	1995-2002	OSX6015	BRK023
KAWASAKI	KX 250M	2003-2005	OSX6213	BRK023
KAWASAKI	KX 250R	2006-2008	OSX6264	BRK023
KAWASAKI	KX 250F	2004-2005	OSX6213	BRK023
KAWASAKI	KX 250F	2006-2008	OSX6264	BRK023
KAWASAKI	KX 250F	2009-2014	OSX6264	BRK023
KAWASAKI	KX 250F	2015-2018	OSX6264	BRK023

OSX Kits			Part No.	Part No.
Make	Model	Year	250/280 Oversize	Relocation Bracket
KAWASAKI	KX 250F	2019-2024	OSX6264	BRK023
KAWASAKI	KLX 400 R	2003-2004	OSX6017	BRK023
KAWASAKI	KLX 450 R	2008-2018	OSX6264	BRK023
KAWASAKI	KX 450F	2006-2014	OSX6264	BRK023
KAWASAKI	KX 450F	2015-2018	OSX6264	BRK023
KAWASAKI	KX 450F	2019-2020	OSX6264	BRK023
KAWASAKI	KX 450F	2021-2024	OSX6264	BRK023
KAWASAKI	KX 450 F X	2019	OSX6264	BRK023
KAWASAKI	KX 500E	1994-1995	OSX6015	BRK023
KAWASAKI	KX 500E	1996-2004	OSX6015	BRK023
SUZUKI	RM 85	2005-2021	OSXS6030	BRK029
SUZUKI	RM-Z 250	2004-2006	OSX6213	BRK023
SUZUKI	RM-Z 250	2007	OSX6254	BRK023
SUZUKI	RM-Z 250	2008-2018	OSX6254	BRK023
SUZUKI	RM-Z 250	2019-2024	OSX6254	BRK023
SUZUKI	DR-Z 400E	2000-2007	OSX6017	BRK023
SUZUKI	RM-X 450	2010-2015	OSX6254	BRK023
SUZUKI	RM-Z 450K	2005-2007	OSX6254	BRK023
SUZUKI	RM-Z 450	2008-2017	OSX6254	BRK023
YAMAHA	YZ 85	2002-2024	OSXY6030	BRK036
YAMAHA	YZ 125	1992-1997	OSX6028E	BRK035
YAMAHA	YZ 125	1998-2000	OSX6028	BRK008
YAMAHA	YZ 125N	2001	OSX6028	BRK008
YAMAHA	YZ 125P	2002	OSX6028	BRK008
YAMAHA	YZ 125	2003-2007	OSX6028	BRK008
YAMAHA	YZ 125	2008-2016	OSX6728	BRK002
YAMAHA	YZ 125	2017-2021	OSX6392	BRK002
YAMAHA	YZ 125	2021-2024	OSX6392	BRK002
YAMAHA	YZ 125ME	2022	OSX6392	BRK002
YAMAHA	YZ 125 X	2021-2023	OSX6392	BRK002
YAMAHA	WR 250	1992-1997	OSX6028E	BRK035
YAMAHA	WR 250Z	1998	OSX6028	BRK008
YAMAHA	WR 250FN	2001	OSX6028	BRK008
YAMAHA	WR 250FP	2002	OSX6028	BRK008
YAMAHA	WR 250F	2003-2006	OSX6028	BRK008
YAMAHA	WR 250F	2007-2013	OSX6028	BRK008
YAMAHA	WR 250F	2015-2016	OSX6028	BRK008
YAMAHA	WR 250F	2017-2024	OSX6392	BRK002
YAMAHA	YZ 250	1992-1997	OSX6028E	BRK035
YAMAHA	YZ 250	1998-2000	OSX6028	BRK008
YAMAHA	YZ 250N	2001	OSX6028	BRK008
YAMAHA	YZ 250P	2002	OSX6028	BRK008
YAMAHA	YZ 250	2003-2007	OSX6028	BRK008
YAMAHA	YZ 250	2008-2016	OSX6728	BRK002
YAMAHA	YZ 250	2021-2024	OSX6392	BRK002
YAMAHA	YZ 250ME	2021-2022	OSX6392	BRK002
YAMAHA	YZ 250X	2017-2023	OSX6392	BRK002
YAMAHA	YZ 250FN	2001	OSX6028	BRK008
YAMAHA	YZ 250FP	2002	OSX6028	BRK008
YAMAHA	YZ 250F	2003-2006	OSX6028	BRK008
YAMAHA	YZ 250F	2007-2015	OSX6728	BRK002
YAMAHA	YZ 250F	2016-2019	OSX6392	BRK002
YAMAHA	YZ 250F	2020-2024	OSX6392	BRK002
YAMAHA	YZ 250FX	2021-2023	OSX6392	BRK002
YAMAHA	YZ 250F 60th	2016	OSX6392	BRK002
YAMAHA	YZ 400FK	1998	OSX6028	BRK008
YAMAHA	YZ 400FL	1999	OSX6028	BRK008
YAMAHA	WR 400FK	1998	OSX6028	BRK008
YAMAHA	WR 400FL/FM	1999-2000	OSX6028	BRK008
YAMAHA	WR 400FN	2001	OSX6028	BRK008
YAMAHA	WR 426FN	2001	OSX6028	BRK008
YAMAHA	WR 426FP	2002	OSX6028	BRK008
YAMAHA	YZ 426FM	2000	OSX6028	BRK008
YAMAHA	YZ 426FN	2001	OSX6028	BRK008
YAMAHA	YZ 426FP	2002	OSX6028	BRK008
YAMAHA	WR 450F	2003-2006	OSX6028	BRK008

OSX 250/280mm OVERSIZE BRAKE DISC KITS

OSX Kits			Part No.	Part No.
Make	Model	Year	250/280 Oversize	Relocation Bracket
YAMAHA	WR 450F	2007-2015	OSX6028	BRK008
YAMAHA	WR 450F	2016-2019	OSX6392	BRK002
YAMAHA	WR 450F	2020-2023	OSX6392	BRK002
YAMAHA	YZ 450F	2003-2006	OSX6028	BRK008
YAMAHA	YZ 450F	2007	OSX6028	BRK008
YAMAHA	YZ 450F	2008-2015	OSX6728	BRK002
YAMAHA	YZ 450F	2016-2019	OSX6392	BRK002
YAMAHA	YZ 450F	2020-2024	OSX6392	BRK002
YAMAHA	YZ-F 450	2019-2023	OSX6392	BRK002
YAMAHA	YZ 450F 60th	2016	OSX6392	BRK002
YAMAHA	YZ 450FX	2022-2023	OSX6392	BRK002
BETA	RR Enduro 125 2T	2018-2024	OSX6032E	BRK015
BETA	RR Racing125 2T	2019-2024	OSX6032E	BRK015
BETA	200 RREnduro	2022-2023	OSX6032E	BRK015
BETA	200 RRRacing	2021-2024	OSX6032E	BRK015
BETA	250 RREnduro	2013-2014	OSX6032E	BRK015
BETA	250 RREnduro	2018-2020	OSX6032E	BRK015
BETA	250 RREnduro	2015-2024	OSX6032E	BRK015
BETA	250 RRRacing	2021-2024	OSX6032E	BRK015
BETA	250X-Trainer	2019-2024	OSX6032E	BRK015
BETA	300 RR Enduro	2015-2024	OSX6032E	BRK015
BETA	300 RR Racing	2021-2024	OSX6032E	BRK015
BETA	300 RR Enduro	2013-2014	OSX6032E	BRK015
BETA	300 RR Enduro	2018-2020	OSX6032E	BRK015
BETA	300RX	2021-2024	OSX6032E	BRK015
BETA	300X-Trainer	2016-2024	OSX6032E	BRK015
BETA	350 RR Enduro	2012-2014	OSX6032E	BRK015
BETA	350 RR Enduro	2020-2024	OSX6032E	BRK015
BETA	350 RR Racing	2019-2024	OSX6032E	BRK015
BETA	350 RR-SEnduro	2013-2020	OSX6032E	BRK015
BETA	390 RR Enduro	2015-2024	OSX6032E	BRK015
BETA	390 RR Racing	2015-2024	OSX6032E	BRK015
BETA	400 RR Enduro	2012-2014	OSX6032E	BRK015
BETA	430 RR Enduro	2015-2024	OSX6032E	BRK015
BETA	430 RR Racing	2015-2024	OSX6032E	BRK015
BETA	430 RR-SEnduro	2015-2022	OSX6032E	BRK015
BETA	450 RR Enduro	2012-2014	OSX6032E	BRK015
BETA	450 RR Racing	2013-2020	OSX6032E	BRK015
BETA	450 RR Cross Country	2012	OSX6032E	BRK015
BETA	450 RX Motocross	2024	OSX6032E	BRK015
BETA	480 RR Enduro	2015-2024	OSX6032E	BRK015
BETA	480 RR Racing	2015-2024	OSX6032E	BRK015
BETA	RR 498 Enduro	2012-2020	OSX6032E	BRK015
BETA	RR 498 Racing	2013-2014	OSX6032E	BRK015
BETA	500 RR-S Enduro	2020-2022	OSX6032E	BRK015
BMW	G 450X	2008-2011	OSX6343	BRK011
FANTIC	XE 125cc 2T	2021-2023	OSX6392	BRK002
FANTIC	XX 125cc 2T	2021-2022	OSX6392	BRK002
FANTIC	XX 250 2T	2021-2022	OSX6392	BRK002
FANTIC	XEF 250 4T	2021-2023	OSX6392	BRK002
FANTIC	XEF 250Trail 250 4T	2021-2022	OSX6392	BRK002
FANTIC	XEX 250 4T	2021-2022	OSX6392	BRK002
FANTIC	XE 300 2T	2023-2024	OSX6392	BRK002
FANTIC	XEF 310 4T	2023-2024	OSX6392	BRK002
FANTIC	XEF 450 4T	2021-2024	OSX6392	BRK002
FANTIC	XXF 450 4T	2021-2022	OSX6392	BRK002
HUSABERG	All models	1993-1994	OSX6125	BRK010
HUSABERG	All models	1995-1999	OSX6125	BRK010
HUSABERG	All models	2000-2005	OSX6032	BRK011
HUSQVARNA	TE 125	2012-2014	OSX6932	BRK013
HUSQVARNA	TE 250	2011-2014	OSX6932	BRK013
HUSQVARNA	TE 300	2011-2014	OSX6932	BRK013
HUSQVARNA	FE 250	2013-2014	OSX6932	BRK013
HUSQVARNA	FE 350	2013-2014	OSX6932	BRK013
HUSQVARNA	FE 390	2010-2012	OSX6932	BRK013
HUSQVARNA	FE 450 E	2006-2008	OSX6032	BRK011
HUSQVARNA	FE 450	2009-2013	OSX6932	BRK013
HUSQVARNA	FX 450	2010-2011	OSX6932	BRK013
HUSQVARNA	FE 501	2013-2014	OSX6932	BRK013
HUSQVARNA	FE 550 E	2006-2008	OSX6032	BRK011
HUSQVARNA	FE 570	2009-2012	OSX6932	BRK013
HUSQVARNA	FE 650 E	2006-2008	OSX6032	BRK011
HUSQVARNA	TC 85	2014-2016	OSX6258	BRK028
HUSQVARNA	CR 125	1995-1999	OSX6125	BRK010
HUSQVARNA	CR 125	2000-2001	OSX6184	BRK010
HUSQVARNA	CR 125	2000-2001	OSX6184K	BRK011
HUSQVARNA	CR 125	2002-2004	OSX6184	BRK010
HUSQVARNA	CR 125	2002-2004	OSX6184K	BRK011
HUSQVARNA	CR 125	2005	OSX6184	BRK010
HUSQVARNA	CR 125	2005	OSX6184K	BRK011
HUSQVARNA	CR 125	2006-2008	OSX6184	BRK010
HUSQVARNA	CR 125	2006-2008	OSX6184K	BRK011
HUSQVARNA	CR 125	2009-2013	OSX6184	BRK010
HUSQVARNA	CR 125	2009-2013	OSX6184K	BRK011
HUSQVARNA	CR 125	2009-2013	OSX6184	BRK010
HUSQVARNA	SM 125	1998-1999	OSX6125	BRK010

OSX Kits			Part No.	Part No.
Make	Model	Year	250/280 Oversize	Relocation Bracket
HUSQVARNA	SM 125	2000	OSX6184	BRK010
HUSQVARNA	SM 125	2000	OSX6184K	BRK011
HUSQVARNA	SM 125S	2002-2013	OSX6184	BRK010
HUSQVARNA	SM 125S	2002-2013	OSX6184K	BRK011
HUSQVARNA	SMS4 125	2011	OSX6184	BRK010
HUSQVARNA	SMS4 125	2011	OSX6184K	BRK011
HUSQVARNA	TC 125 TC 125	2014-2024	OSX6932	BRK013
HUSQVARNA	TE 125	2011-2013	OSX6184	BRK010
HUSQVARNA	TE 125	2011-2013	OSX6184K	BRK011
HUSQVARNA	TE 125	2014-2019	OSX6932	BRK013
HUSQVARNA	WR 125R	1995-1999	OSX6125	BRK010
HUSQVARNA	WR 125R	2000-2001	OSX6184	BRK010
HUSQVARNA	WR 125R	2000-2001	OSX6184K	BRK011
HUSQVARNA	WR 125R	2002-2005	OSX6184	BRK010
HUSQVARNA	WR 125R	2002-2005	OSX6184K	BRK011
HUSQVARNA	WR 125R	2006-2008	OSX6184	BRK010
HUSQVARNA	WR 125R	2006-2008	OSX6184K	BRK011
HUSQVARNA	WR 125R	2009-2013	OSX6184	BRK010
HUSQVARNA	WR 125R	2009-2013	OSX6184K	BRK011
HUSQVARNA	WRE 125R	1993-1999	OSX6125	BRK010
HUSQVARNA	WRE 125R	2000	OSX6184	BRK010
HUSQVARNA	WRE 125R	2000	OSX6184K	BRK011
HUSQVARNA	WRE 125R	2002-2013	OSX6184	BRK010
HUSQVARNA	WRE 125R	2002-2013	OSX6184K	BRK011
HUSQVARNA	WRE 125R	2007	OSX6184	BRK010
HUSQVARNA	WRE 125R	2007	OSX6184K	BRK011
HUSQVARNA	TE 150 TPi	2018-2024	OSX6032E	BRK013
HUSQVARNA	CR 250	1995-1999	OSX6125	BRK010
HUSQVARNA	CR 250	2000-2001	OSX6184	BRK010
HUSQVARNA	CR 250	2000-2001	OSX6184K	BRK011
HUSQVARNA	CR 250	2002-2004	OSX6184	BRK010
HUSQVARNA	CR 250	2002-2004	OSX6184K	BRK011
HUSQVARNA	CR 250	2005-2007	OSX6184	BRK010
HUSQVARNA	CR 250	2005-2007	OSX6184K	BRK011
HUSQVARNA	FC 250	2014-2024	OSX6032E	BRK013
HUSQVARNA	FE 250	2014-2024	OSX6032E	BRK013
HUSQVARNA	TC 250	2002-2003	OSX6184	BRK010
HUSQVARNA	TC 250	2002-2003	OSX6184K	BRK011
HUSQVARNA	TC 250	2005-2008	OSX6184	BRK010
HUSQVARNA	TC 250	2005-2008	OSX6184K	BRK011
HUSQVARNA	TC 250	2009-2013	OSX6184K9	BRK013
HUSQVARNA	TC 250	2014-2024	OSX6032E	BRK013
HUSQVARNA	TE 250	2002-2005	OSX6184	BRK010
HUSQVARNA	TE 250	2002-2005	OSX6184K	BRK011
HUSQVARNA	TE 250	2006-2008	OSX6184	BRK010
HUSQVARNA	TE 250	2006-2008	OSX6184K	BRK011
HUSQVARNA	TE 250	2009-2010	OSX6184K9	BRK013
HUSQVARNA	TE 250	2011-2013	OSX6184K9	BRK013
HUSQVARNA	TE 250 Meo Rep	2011	OSX6184K9	BRK013
HUSQVARNA	TE 250	2013	OSX6184K9	BRK013
HUSQVARNA	TE 250	2014-2018	OSX6032E	BRK013
HUSQVARNA	TE 250 TPi	2019-2024	OSX6032E	BRK013
HUSQVARNA	WR 250	1995-1999	OSX6125	BRK010
HUSQVARNA	WR 250	2000-2001	OSX6184	BRK010
HUSQVARNA	WR 250	2000-2001	OSX6184K	BRK011
HUSQVARNA	WR 250	2002-2005	OSX6184	BRK010
HUSQVARNA	WR 250	2002-2005	OSX6184K	BRK011
HUSQVARNA	WR 250	2006-2008	OSX6184	BRK010
HUSQVARNA	WR 250	2006-2008	OSX6184K	BRK011
HUSQVARNA	WR 250	2009-2013	OSX6184	BRK010
HUSQVARNA	WR 250	2009-2013	OSX6184K	BRK011
HUSQVARNA	WR 300	2009-2013	OSX6184	BRK010
HUSQVARNA	WR 300	2009-2013	OSX6184K	BRK011
HUSQVARNA	TE 300	2014-2020	OSX6932	BRK013
HUSQVARNA	TE 300 TPi	2019-2024	OSX6032E	BRK013
HUSQVARNA	TE 300 TPi Jarvis	2019-2021	OSX6032E	BRK013
HUSQVARNA	TE 300 TPi RockStar	2022	OSX6032E	BRK015
HUSQVARNA	TE 310	2010	OSX6184K9	BRK013
HUSQVARNA	TE 310	2011-2013	OSX6184K9	BRK013
HUSQVARNA	TE 310	2013	OSX6184K9	BRK013
HUSQVARNA	FC 350	2014-2024	OSX6932	BRK013
HUSQVARNA	FE 350	2014-2024	OSX6932	BRK013
HUSQVARNA	FE 350	2022	OSX6032E	BRK015
HUSQVARNA	TE 350	1995-1997	OSX6125	BRK010
HUSQVARNA	WR 360	1995-1999	OSX6125	BRK010
HUSQVARNA	WR 360	2000-2001	OSX6184	BRK010
HUSQVARNA	WR 360	2000-2001	OSX6184K	BRK011
HUSQVARNA	WR 360	2002	OSX6184	BRK010
HUSQVARNA	WR 360	2002	OSX6184K	BRK011
HUSQVARNA	TE 400	2002	OSX6184	BRK010
HUSQVARNA	TE 400	2002	OSX6184K	BRK011
HUSQVARNA	TE 410	1995-1999	OSX6125	BRK010
HUSQVARNA	TE 410	2000	OSX6184	BRK010
HUSQVARNA	TE 410	2000	OSX6184K	BRK011
HUSQVARNA	TE 410	2006	OSX6184	BRK010

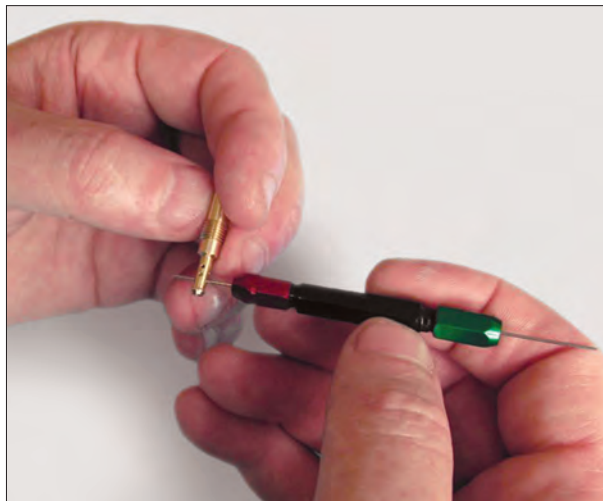
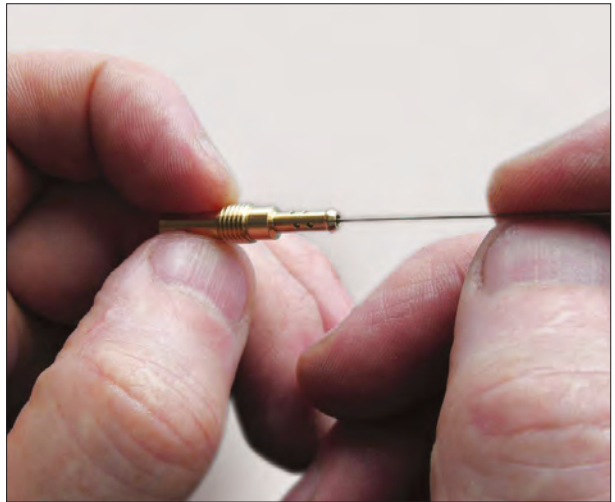
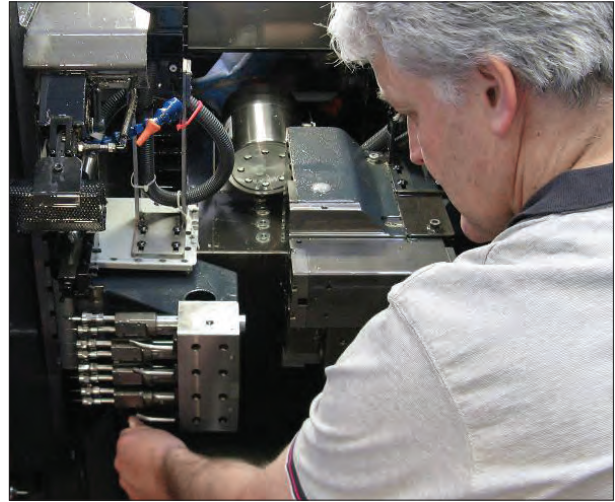
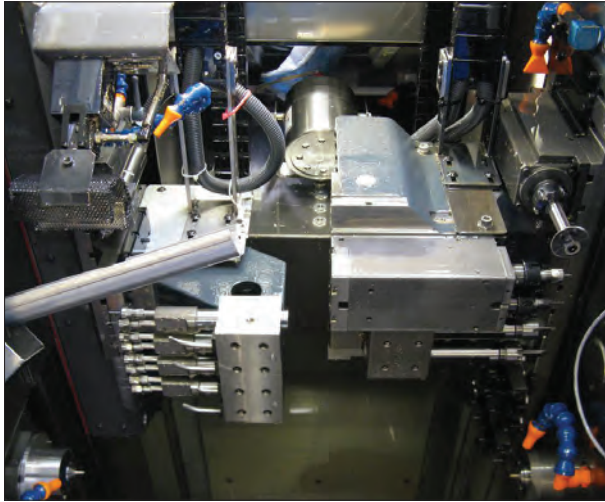
OSX 250/280mm OVERSIZE BRAKE DISC KITS

OSX Kits			Part No.	Part No.
Make	Model	Year	250/280 Oversize	Relocation Bracket
HUSQVARNA	TE 410	2006	OSX6184K	BRK011
HUSQVARNA	TE 410E	2000	OSX6184	BRK010
HUSQVARNA	TE 410E	2000	OSX6184K	BRK011
HUSQVARNA	TC 449	2011-2013	OSX6184K9	BRK013
HUSQVARNA	TE 449	2011-2013	OSX6184K9	BRK013
HUSQVARNA	FC 450	2014-2024	OSX6932	BRK013
HUSQVARNA	FC 450 Rockstar	2019-2022	OSX6032E	BRK013
HUSQVARNA	FE 450	2014-2024	OSX6032E	BRK013
HUSQVARNA	FR 450 Rally	2016-2020	OSX6932	BRK013
HUSQVARNA	FX 450	2017-2021	OSX6932	BRK013
HUSQVARNA	TC 450	2003-2004	OSX6184	BRK010
HUSQVARNA	TC 450	2003-2004	OSX6184K	BRK011
HUSQVARNA	TC 450	2005-2008	OSX6184	BRK010
HUSQVARNA	TC 450	2005-2008	OSX6184K	BRK011
HUSQVARNA	TC 450	2009-2010	OSX6184	BRK010
HUSQVARNA	TC 450	2009-2010	OSX6184K	BRK011
HUSQVARNA	TE 450	2003-2005	OSX6184	BRK010
HUSQVARNA	TE 450	2003-2005	OSX6184K	BRK011
HUSQVARNA	TE 450	2006-2008	OSX6184	BRK010
HUSQVARNA	TE 450	2006-2008	OSX6184K	BRK011
HUSQVARNA	TE 450	2009-2010	OSX6184	BRK010
HUSQVARNA	TE 450	2009-2010	OSX6184K	BRK011
HUSQVARNA	FE 501 inc S Model	2014-2024	OSX6932	BRK013
HUSQVARNA	TC 510	2004	OSX6184	BRK010
HUSQVARNA	TC 510	2004	OSX6184K	BRK011
HUSQVARNA	TC 510	2005-2008	OSX6184	BRK010
HUSQVARNA	TC 510	2005-2008	OSX6184K	BRK011
HUSQVARNA	TE 510	2004-2005	OSX6184	BRK010
HUSQVARNA	TE 510	2004-2005	OSX6184K	BRK011
HUSQVARNA	TE 510	2006-2008	OSX6184	BRK010
HUSQVARNA	TE 510	2006-2008	OSX6184K	BRK011
HUSQVARNA	TE 510	2009-2010	OSX6184	BRK010
HUSQVARNA	TE 510	2009-2010	OSX6184K	BRK011
HUSQVARNA	TE 511	2011-2012	OSX6184K9	BRK013
HUSQVARNA	TC 570	2002-2003	OSX6184	BRK010
HUSQVARNA	TC 570	2002-2003	OSX6184K	BRK011
HUSQVARNA	TE 570	2001	OSX6184	BRK010
HUSQVARNA	TE 570	2001	OSX6184K	BRK011
HUSQVARNA	TE 570	2002-2004	OSX6184	BRK010
HUSQVARNA	TE 570	2002-2004	OSX6184K	BRK011
HUSQVARNA	SM 610	2000	OSX6184	BRK010
HUSQVARNA	SM 610	2000	OSX6184K	BRK011
HUSQVARNA	TC 610E	1995-1999	OSX6125	BRK010
HUSQVARNA	TC 610	2000	OSX6184	BRK010
HUSQVARNA	TC 610	2000	OSX6184K	BRK011
HUSQVARNA	TE 610	2000	OSX6125	BRK010
HUSQVARNA	TE 610	1995-1999	OSX6125	BRK010
HUSQVARNA	TE 610	2000	OSX6125	BRK010
HUSQVARNA	TE 610	2003-2004	OSX6125	BRK010
HUSQVARNA	TE 610	2006-2009	OSX6184	BRK010
HUSQVARNA	TE 610	2006-2009	OSX6184K	BRK011
HUSQVARNA	TE 630	2010-2012	OSX6184	BRK010
HUSQVARNA	TE 630	2010-2012	OSX6184K	BRK011
KTM	85 SX 1E	2003-2010	OSX6258	BRK028
KTM	85 SX	2011	OSX6258	BRK028
KTM	85 SX	2012-2015	OSX6407	BRK027
KTM	EXC/EGS 125	1994	OSX6032E	BRK015
KTM	EXC 125	1995-1999	OSX6032E	BRK015
KTM	EXC 125	2000-2003	OSX6032	BRK011
KTM	EXC 125	2004-2008	OSX6032	BRK011
KTM	EXC 125	2009-2017	OSX6932	BRK013
KTM	EXC 125 Six Days	2011-2017	OSX6932	BRK013
KTM	EXE 125	2000	OSX6032	BRK011
KTM	MX 125	1992-1993	OSX6032E	BRK015
KTM	SX 125	1994-1999	OSX6032	BRK011
KTM	SX 125	2000-2003	OSX6032E	BRK015
KTM	SX 125	2004-2008	OSX6032	BRK011
KTM	SX 125	2009-2024	OSX6932	BRK013
KTM	XC-W 125	2017-2019	OSX6932	BRK013
KTM	150 EXC Tpi	2021-2024	OSX6932	BRK013
KTM	SX 150	2008	OSX6032	BRK011
KTM	SX 150	2009-2022	OSX6932	BRK013
KTM	XC 150	2011-2013	OSX6932	BRK013
KTM	XC-W 150Tpi	2017-2021	OSX6932	BRK013
KTM	EXC/EGS 200	1998-1999	OSX6032E	BRK015
KTM	EXC/EGS 200	2000-2003	OSX6032	BRK011
KTM	EXC 200	2004-2008	OSX6032	BRK011
KTM	EXC 200Inc Six Days	2009-2016	OSX6932	BRK013
KTM	EXC/EGS 250	1994	OSX6032E	BRK015
KTM	EXC 250	1995-1999	OSX6032E	BRK015
KTM	EXC 250	2000-2003	OSX6032	BRK011
KTM	EXC 250	2004-2008	OSX6032	BRK011
KTM	EXC 250	2009-2017	OSX6932	BRK013
KTM	EXC 250Tpi	2018-2024	OSX6932	BRK013
KTM	EXC 250Six Days	2011-2018	OSX6932	BRK013

OSX Kits			Part No.	Part No.
Make	Model	Year	250/280 Oversize	Relocation Bracket
KTM	EXC 250Six Days Tpi	2019-2024	OSX6932	BRK013
KTM	EXC 250Racing	2006	OSX6032	BRK011
KTM	EXC-F 250	2006-2008	OSX6032	BRK011
KTM	EXC-F 250	2009-2024	OSX6932	BRK013
KTM	EXC-F 250Six Days	2011-2024	OSX6932	BRK013
KTM	MX 250	1992-1993	OSX6032E	BRK015
KTM	SX 250	1994-1999	OSX6032E	BRK015
KTM	SX 250	2000-2002	OSX6032	BRK011
KTM	SX 250	2003-2008	OSX6032	BRK011
KTM	SX 250	2009-2024	OSX6932	BRK013
KTM	SX-F 250	2006-2008	OSX6032	BRK011
KTM	SX-F 250	2009-2024	OSX6932	BRK013
KTM	SX-F 250Prado	2020	OSX6932	BRK013
KTM	SX-F 250Ken Roczen Edition	2012	OSX6932	BRK013
KTM	XC 250	2011-2017	OSX6932	BRK013
KTM	XC 250Tpi	2019-2022	OSX6932	BRK013
KTM	XC-F 250	2011-2020	OSX6932	BRK013
KTM	EXC 300	2000-2003	OSX6032	BRK011
KTM	EXC 300	2004-2008	OSX6032	BRK011
KTM	EXC 300	2009-2019	OSX6932	BRK013
KTM	EXC 300Tpi	2019-2024	OSX6932	BRK013
KTM	EXC 300 Six Days	2011-2020	OSX6932	BRK013
KTM	EXC 300 Tpi Six Days	2020-2024	OSX6932	BRK013
KTM	EXC-E 300	2008-2009	OSX6032	BRK011
KTM	SX 300	2023-2024	OSX6932	BRK013
KTM	XC 300	2011-2023	OSX6932	BRK013
KTM	EXC 350LC4	1994-1995	OSX6032E	BRK015
KTM	EXC 350	1996-1997	OSX6032E	BRK015
KTM	EXC-F 350	2011-2024	OSX6932	BRK013
KTM	EXC-F 350Six Days	2012-2024	OSX6932	BRK013
KTM	EXC-F 350WESS Edition	2021-2022	OSX6932	BRK013
KTM	EXC-F 350Factory Edition	2022	OSX6932	BRK013
KTM	SX-F 350	2011-2024	OSX6932	BRK013
KTM	SX-F 350Tony Cairoli Edition	2012	OSX6932	BRK013
KTM	XC-F 350Inc XCF-W	2012-2021	OSX6932	BRK013
KTM	EXC 450	2003	OSX6032	BRK011
KTM	EXC 450	2004-2008	OSX6032	BRK011
KTM	EXC-F 450	2009-2024	OSX6932	BRK013
KTM	EXC-F 450 Six Days	2011-2024	OSX6932	BRK013
KTM	EXC 450 Racing	2006-2007	OSX6032	BRK011
KTM	EXC-R 450	2008	OSX6032	BRK011
KTM	SX 450	2003-2006	OSX6032	BRK011
KTM	SX-F 450	2007-2024	OSX6932	BRK013
KTM	EXC-F 500	2012-2024	OSX6932	BRK013
KTM	EXC 500 Six Days	2012-2024	OSX6932	BRK013
KTM	SX-F 505	2007-2009	OSX6032	BRK011
KTM	EXC 520	2001-2003	OSX6032	BRK011
KTM	SX 520	2001-2003	OSX6032	BRK011
KTM	EXC 525	2003-2006	OSX6032	BRK011
KTM	SX 525	2003-2006	OSX6032	BRK011
KTM	XC 525	2006-2007	OSX6032	BRK011
KTM	EXC 530	2009-2010	OSX6032	BRK011
KTM	EXC 530Six Days	2011	OSX6932	BRK013
KTM	EXC-R 530	2008	OSX6032	BRK011

Making Precision Pilot Jets

Everyone knows how sensitive an engine is to pilot jets in the acceleration stages from 1000 to 3500 rpm and getting fuel mixture right in this area is critical. For this reason jets have to be perfectly accurate in their marked size and incremental size steps. EBC Brakes sister company A-BAX Precision Engineering Ltd in the UK has purchased the most accurate machine on the planet for this work shown below. A-BAX Precision Engineering Ltd pilot jets are precise, clearly marked and reliably gauged using pin gauges, accurate to one tenth of a thousandth of an inch, you can rely on their accuracy.



PILOT JETS

A-BAX Precision Engineering Ltd Pilot Jets for Mikuni Carbs (Sold in packs of 4)

Jet Style – VM22/210

8 bleed hole type
VM18 / VM22 / VM26-34 Flange Type
VM26-44 Spigot Type
TM24-38 (No accelerator pump)
Early TMX/TMX Carb Types

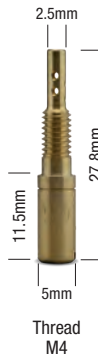
Size	Part #
10	EBC22/210-10
12.5	EBC22/210-12.5
15	EBC22/210-15
17.5	EBC22/210-17.5
20	EBC22/210-20
22.5	EBC22/210-22.5
25	EBC22/210-25
27.5	EBC22/210-27.5
30	EBC22/210-30
32.5	EBC22/210-32.5
35	EBC22/210-35
37.5	EBC22/210-37.5
40	EBC22/210-40
42.5	EBC22/210-42.5
45	EBC22/210-45
47.5	EBC22/210-47.5
50	EBC22/210-50
52.5	EBC22/210-52.5
55	EBC22/210-55
57.5	EBC22/210-57.5
60	EBC22/210-60
65	EBC22/210-65
70	EBC22/210-70
75	EBC22/210-75
80	EBC22/210-80
85	EBC22/210-85
90	EBC22/210-90
95	EBC22/210-95
100	EBC22/210-100
105	EBC22/210-105
110	EBC22/210-110
120	EBC22/210-120
130	EBC22/210-130
140	EBC22/210-140



Jet Style – N224.103

2.5mm bleed end
Early TMS/TMX
OEM MX36/38 BSR CV type
Honda / Kawasaki / Suzuki / Yamaha

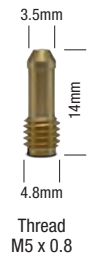
Size	Part #
10	EBC224-10
12.5	EBC224-12.5
15	EBC224-15
17.5	EBC224-17.5
20	EBC224-20
22.5	EBC224-22.5
25	EBC224-25
27.5	EBC224-27.5
30	EBC224-30
32.5	EBC224-32.5
35	EBC224-35
37.5	EBC224-37.5
40	EBC224-40
42.5	EBC224-42.5
45	EBC224-45
47.5	EBC224-47.5
50	EBC224-50
52.5	EBC224-52.5
55	EBC224-55
57.5	EBC224-57.5
60	EBC224-60
62.5	EBC224-62.5
65	EBC224-65
67.5	EBC224-67.5
70	EBC224-70



Jet Style – N151.067

No bleed holes
Later OEM BS range CV carbs
Kawasaki / Suzuki / Yamaha / Triumph

Size	Part #
30	EBC151-30
32.5	EBC151-32.5
35	EBC151-35
37.5	EBC151-37.5
40	EBC151-40
42.5	EBC151-42.5
45	EBC151-45
47.5	EBC151-47.5
50	EBC151-50
52.5	EBC151-52.5
55	EBC151-55
57.5	EBC151-57.5
60	EBC151-60



Jet Style – VM28/486

2mm bleed hole type
HS40 / HSR42 / 45 / 48 / RS34-40
TM33 / 36 / 40 with accelerator pump
Kawasaki / Suzuki / Yamaha

Size	Part #
10	EBC28/486-10
12.5	EBC28/486-12.5
15	EBC28/486-15
17.5	EBC28/486-17.5
20	EBC28/486-20
22.5	EBC28/486-22.5
25	EBC28/486-25
27.5	EBC28/486-27.5
30	EBC28/486-30
32.5	EBC28/486-32.5
35	EBC28/486-35
37.5	EBC28/486-37.5
40	EBC28/486-40
42.5	EBC28/486-42.5
45	EBC28/486-45
47.5	EBC28/486-47.5
50	EBC28/486-50
52.5	EBC28/486-52.5
55	EBC28/486-55
57.5	EBC28/486-57.5
60	EBC28/486-60
62.5	EBC28/486-62.5
65	EBC28/486-65
67.5	EBC28/486-67.5
70	EBC28/486-70



Jet Style – M28/1001

Yamaha P/No. 260-14142-Size
Blaster/Banshee/LC

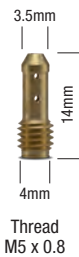
Size	Part #
15	EBC1001-15
17.5	EBC1001-17.5
20	EBC1001-20
22.5	EBC1001-22.5
25	EBC1001-25
27.5	EBC1001-27.5
30	EBC1001-30
32.5	EBC1001-32.5
35	EBC1001-35
37.5	EBC1001-37.5
40	EBC1001-40
42.5	EBC1001-42.5
45	EBC1001-45
47.5	EBC1001-47.5
50	EBC1001-50
52.5	EBC1001-52.5
55	EBC1001-55
57.5	EBC1001-57.5
60	EBC1001-60
62.5	EBC1001-62.5
65	EBC1001-65
67.5	EBC1001-67.5
70	EBC1001-70



Jet Style – BS30/96

6 bleed hole type
Various OEM BS range CV carbs
Kawasaki / Suzuki / Yamaha

Size	Part #
30	EBC30/96-30
32.5	EBC30/96-32.5
35	EBC30/96-35
37.5	EBC30/96-37.5
40	EBC30/96-40
42.5	EBC30/96-42.5
45	EBC30/96-45
47.5	EBC30/96-47.5
50	EBC30/96-50
52.5	EBC30/96-52.5
55	EBC30/96-55
57.5	EBC30/96-57.5
60	EBC30/96-60



A-BAX Precision Engineering Ltd Pilot Jets for Keihin Carbs (Sold in packs of 4)

Jet Style – N424-21

Pilot / Slow Running Jet
PB16 / 18 / 20
Yamaha R6 99-07
Various Kawasaki / Suzuki Quads

Size	Part #
35	EBC424-21-35
38	EBC424-21-38
40	EBC424-21-40
42	EBC424-21-42
45	EBC424-21-45
48	EBC424-21-48
50	EBC424-21-50
52	EBC424-21-52
55	EBC424-21-55
58	EBC424-21-58
60	EBC424-21-60
62	EBC424-21-62
65	EBC424-21-65
68	EBC424-21-68
70	EBC424-21-70
72	EBC424-21-72
75	EBC424-21-75
78	EBC424-21-78
80	EBC424-21-80



Jet Style – N424-25

Pilot / Slow Running Jet
FCR 28 / 32 / 33 / 35 / 37 / 39 / 41mm
Harley D Keihin BH (Non CV Type)
Various Kawasaki / Yamaha Models with CVK
/ FCR / BD style carbs

Size	Part #
35	EBC424-25-35
38	EBC424-25-38
40	EBC424-25-40
42	EBC424-25-42
45	EBC424-25-45
48	EBC424-25-48
50	EBC424-25-50
52	EBC424-25-52
55	EBC424-25-55
58	EBC424-25-58
60	EBC424-25-60
62	EBC424-25-62
65	EBC424-25-65



Dealer Pilot Jet Selection Kits

(Kits include one pilot jet per size)



KIT NUMBER	CARB MODEL	JET STYLE	QTY JETS IN KIT	SIZES
KPJK-01	Keihin	N424-21	19	35-80
KPJK-02	Keihin	N424-25B	13	35-65
MPJK-01	Mikuni	VM22/210	34	10-140
MPJK-02	Mikuni	N224.103	25	10-70
MPJK-03	Mikuni	N151.067	13	30-60
MPJK-04	Mikuni	BS30/96	13	30-60
MPJK-05	Mikuni	M28/486	25	10-70

Precision machined in the UK A-BAX Precision Engineering Ltd Dealer selection kits include all the popular sizes for the better selling pilot jets and refills can be purchased from your distributor in packets of four.

A-BAX Precision Engineering Ltd

Pilot Jets for Mikuni Carbs and Keihin Carbs



MAIN JETS

A-BAX Precision Engineering Ltd MAINJETS

Made in the UK, these high precision BRASS carburettor jets are available in dealer selection kits or in top-up packs of 5 jets or 4 jets. All jets are flow calibrated and extremely accurate in terms of fuel flow rate as stamped.



DEALER SELECTION KITS			
KIT TYPE	PART#	CONTENTS	
Mikuni Slot	SJK 36	4pcs each jet sizes 72.5 thru 160	144 Jets
Mikuni Hex	HJK 27A	2pcs each jet sizes 70 thru 230	54 Jets
Mikuni Hex	HJK 27B	2pcs each jet sizes 240 thru 500	54 Jets
Keihin Slot	KJK 30	4pcs each jet sizes 80 thru 190	132 Jets
Keihin Hex	CRK 32A	2pcs each jet sizes 80 thru 158	64 Jets
Keihin Hex	CRK 32B	2pcs each jet sizes 160 thru 235	64 Jets

<p>A-BAX Slot Jets for Mikuni</p> <p>(N 100/604) SJ Prefix</p>	<p>A-BAX Hex Jets for Mikuni</p> <p>(4/042) HJ Prefix</p>	<p>A-BAX Slot Jets for Keihin</p> <p>(N102 221) KJ Prefix</p>	<p>A-BAX Hex Jets for Keihin</p> <p>(357) CR Prefix</p>	<p>A-BAX Slot Jets for Dell 'Orto'</p> <p>(6413) DO Prefix</p>
--	---	---	---	--

SJ SIZES AVAILABLE	HJ SIZES AVAILABLE		KJ SIZES AVAILABLE	CR SIZES AVAILABLE		DO SIZES AVAILABLE
SJ72.5	HJ70	HJ340	KJ72.5	CR80	CR172	DO70
SJ75	HJ80	HJ350	KJ75	CR82	CR175	DO75
SJ77.5	HJ90	HJ360	KJ77.5	CR85	CR178	DO80
SJ80	HJ100	HJ370	KJ80	CR88	CR180	DO85
SJ82.5	HJ105	HJ380	KJ82.5	CR90	CR182	DO90
SJ85	HJ110	HJ390	KJ85	CR92	CR185	DO95
SJ87.5	HJ115	HJ400	KJ87.5	CR95	CR188	DO100
SJ90	HJ120	HJ410	KJ90	CR98	CR190	DO105
SJ92.5	HJ125	HJ420	KJ92.5	CR100	CR192	DO110
SJ95	HJ130	HJ430	KJ95	CR102	CR195	DO115
SJ97.5	HJ135	HJ440	KJ97.5	CR105	CR198	DO120
SJ100	HJ140	HJ450	KJ100	CR108	CR200	DO125
SJ102.5	HJ145	HJ460	KJ102.5	CR110	CR202	DO130
SJ105	HJ150	HJ470	KJ105	CR112	CR205	DO135
SJ107.5	HJ155	HJ480	KJ107.5	CR115	CR208	DO140
SJ110	HJ160	HJ490	KJ110	CR118	CR210	DO145
SJ112.5	HJ165	HJ500	KJ112.5	CR120	CR212	DO150
SJ115	HJ170	HJ510	KJ115	CR122	CR215	DO155
SJ117.5	HJ175	HJ520	KJ117.5	CR125	CR218	DO160
SJ120	HJ180	HJ530	KJ120	CR128	CR220	DO165
SJ122.5	HJ185	HJ540	KJ122.5	CR130	CR222	DO170
SJ125	HJ190	HJ550	KJ125	CR132	CR225	DO175
SJ127.5	HJ195	HJ560	KJ127.5	CR135	CR228	DO180
SJ130	HJ200	HJ570	KJ130	CR138	CR230	DO185
SJ132.5	HJ210	HJ580	KJ132.5	CR140	CR232	DO190
SJ135	HJ220	HJ590	KJ135	CR142	CR235	DO195
SJ137.5	HJ230	HJ600	KJ137.5	CR145	CR238	DO200
SJ140	HJ240	HJ610	KJ140	CR148		
SJ142.5	HJ250	HJ620	KJ142.5	CR150		
SJ145	HJ260	HJ630	KJ145	CR152		
SJ147.5	HJ270	HJ640	KJ147.5	CR155		
SJ150	HJ280	HJ650	KJ150	CR158		
SJ152.5	HJ290	HJ660	KJ152.5	CR160		
SJ155	HJ300	HJ670	KJ160	CR162		
SJ157.5	HJ310	HJ680	KJ170	CR165		
SJ160	HJ320	HJ690	KJ190	CR168		
SJ170	HJ330			CR170		

NOTE: The names Mikuni & Keihin are for description purposes only. These are NOT original Mikuni or Keihin jets, simply a high quality replacement.

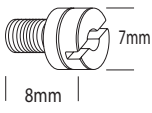

MAIN JETS

CARBURETTOR JETS

A-BAX Precision Engineering Ltd brass main jets for Keihin CVH carburettors, used on most big twins. Sold in packets of 2 pieces and in dealer assortment kits of 12 sizes (2 pieces each size).



DEALER SELECTION KIT PART NO – HDJK-12

MAIN JETS	SIZES AVAILABLE
 <p>424-27 slotted series part numbers adjacent are for a packet of 2 jets.</p> 	EBC424-27-165
	EBC424-27-170
	EBC424-27-175
	EBC424-27-180
	EBC424-27-185
	EBC424-27-190
	EBC424-27-195
	EBC424-27-200
	EBC424-27-205
	EBC424-27-210
	EBC424-27-220

S&B FILTERS

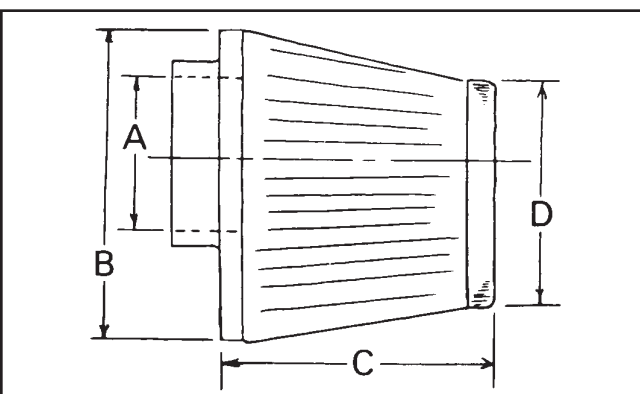
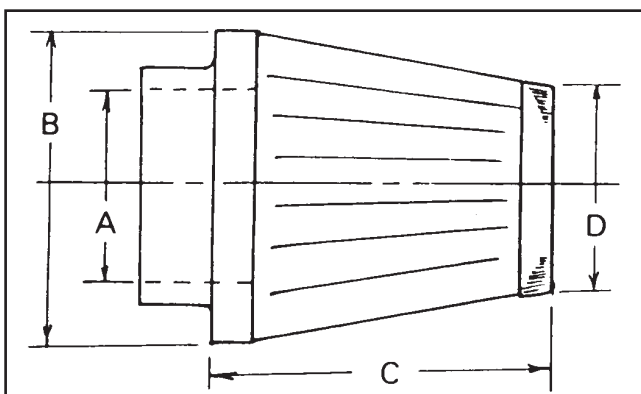


Made in the USA, S&B Custom Filters are a great choice for all types of carburettor and feature a special man made gauze called "Remay" made by Dupont® which has the benefit of perfectly uniform hole patterns. This enables the S&B filter to catch dust better than an oil soaked filter and to be run DRY. Oiled filters require regular washing and relube which plays havoc with carburettor balance. Available in parallel or cone type design, with high lustre chrome end caps.



DIMENSION CHART

CONICAL TYPES					PARALLEL TYPES				
FILTER No.	A	B	C	D	FILTER No.	A	B	C	D
RC79	35	63	58	51	RC17	40	89	38	74
RC106	48	76	76	51	RC34	44	114	38	114
RC107	43	76	70	51	RU99	(Special Norton Filter)			
RC120	52.5	89	102	51	OVAL TYPES				
RC125	57	86	95	51					
RC135	55	88	104	88	RC059	43	112	70	75
RC234	55	76	70	51	RC069	50	112	70	75
RC311	28	57	57	51	RC84	40	72	51	51
RC312	51	73	63	51	RC098	55	112	70	75
RC313	43	76	60	51					



hy-tech racing reeds

For STREET Bikes New CW38 Fibre for higher durability and perfect Reed block seal in high revving 2 stroke motors.

For DIRT Bikes New TWO STAGE Action. By using a lighter fibre on the lower reed block position New Hy-Tech "D" suffix. Reed Kits open earlier and give perfect TWO STAGE response without turbulence or early primary stage reed petal fatigue or New Carbon Fibre CF Series. See below.

CARBON FIBRE REEDS for most Street and Dirt Bike models Prefix **CF** for Carbon Fibre.

ROAD BIKE REEDS ALSO AVAILABLE IN CARBON FIBRE

CF02, CF11, CF15, CF18, CF81, CF118,
CF201, CF202, CF210, CF215

DIRT BIKE APPLICATIONS		DIRT BIKE APPLICATIONS		STREET BIKE APPLICATIONS	
CAGIVA		SUZUKI Cont.		KAWASAKI	
WMX 125/250 (1985)	HT09D	RM 125 L/M/N/P/R/S	CF78	AE/AR 50	HT05
WMX 500	CF14	RM 125 T/W/W/X/Y/K1-K5	CF93	AE/AR 80	HT05
HONDA		RM 250 X-G (81-86)	CF14	KMX 125 (All Models)	CF06
CR 80 RG-R2 (86-02)	CF48	RM 250 H/J (87-88)	CF06	KDX 125 A1-A2/B1-B2	CF64
CR 85 R3-R7 (03-07)	CF48	RM 250 K/L (89-90)	CF68	KR1/KR1-S	HT81
CR 125 (All Models) up to 01	CF18	RM 250 M/N	CF83	SUZUKI	
CR 125 R1/R2/R3/R4	CF208	RM 250 P/R/S	CF65	TS/ZR 50 (All models)	HT16
CR 250 RC/RD/RE/RF		RM 250 T/W/W/X/Y/K1-K5	CF94	TS 100/125/185/250	
/RG/RH	HT61D	RMX 250 K/L	HT68D	(C&ER Models)	HT12
CR 250 RJ-RW	CF66	RMX 250 M/N/P/R/S/T/V/W	CF83	RG 125 (All Models up to 91)	CF11
CR 250 RX/RV/R1/R2/R3	CF167	LT 250 RF/RG/RH	HT38	RG 125 FUN/FUP/UN	CF18
CR 500 RE/RF/RG/RH		LT 250/500 RJ/RK/RL/RM/RN	HT68D	TS 125 X (All Models)	CF11
/RJ/RK	HT17D	RM 465 X/Z	CF57	TS 125 RK/RL/RR	CF18
CR 500 RL-R1	CF77	RM 500 D/E	CF57	GT 250 "X7"	HT216
ATC/TRX 250 (All Models)	CF06	YAMAHA		RG 250 (All Models)	CF211
HUSQVARNA		YZ 50 G-K	HT05	RGV 250 K	HT80
125 (82-98)	HT33D	YZ 80 N-S	HT32D	RGV 250 L/M/N/P/R	N/A
KTM		YZ 80 T/U/W/A/B	HT46	TS 250 XE	HT38
125 (All Models) (84-96)	CF22	YZ 80 E/F/G/H/J/K/L/M/N	CF88	TS 250 XG/XH/XJ	HT09D
250 (All Models) (84-96)	CF22	YZ 85 P/R/S	CF88	YAMAHA	
495/500 (All Models) (82-96)	HT23D	YZ 125 G-T/E (86-87/93)	CF03	DT/RD 50 M	HT105
KAWASAKI		YZ 125 U-D (88-92)	HT67D	DT/RD 50 MX	HT30
KX 60 B1-B19	HT40D	YZ 125 F/G/H/J/K/L/M (94-00)	CF89	RD 80 MX/LC	HT05
KX 65 A1/A2/A3/A4	HT40D	YZ 125 N/P/R/S/T/V/W/X/Y (01-09)	CF185	DT 80 MX (81-)	HT30
KX 80 G1/G2/J1/J2	HT54D	WR 200 (89-96)	CF04	DT 80 MX (82-)	HT05
KX 80 L1-L3/R1-R7/W1/W3	CF01NC	YFS 200 Blaster (Quad) (91-06)	HT46D	RS 100	HT05
KX 85 A1/B1/A2/B2/A3/B3	CF01NC	YZ 250 E-J	CF04	DT/RXS 100	HT01
KX 100 A1/A2/B1-B7/C1-C3	CF01NC	YZ 250 K	HT31D	DT 125 MX	HT01
KX 125 (All Models) (82-93)	CF64	YZ 250 L-U	HT07D	RD 125/200	HT205
KX 125 K1-K3	CF78	YZ 250 W-H	CF04	DT 125 LC/LC2	HT02R
KX 125 K4-M7F	N/A	YZ 250 J/K/L/M/N/P/R/S/T/V/W/X	CF150	RD 125 LC MK1-3	HT02R
KDX 200 (All Models)	CF64	YZ 465 G/H	CF04	DT 125 R	HT15
KDX 220 A4-A10	CF64	YZ 490 J to L	CF04	RS 125	HT01
KX 250 C2/D1/D2/E1/F1/G1/H1		YZ 490 N to U	HT07D	TZR 125/TDR 125	HT15
/H2/J1/J2/K1/K2/K3	CF14	IT 125/175/200 "All Models"	CF03	DT 175 MX	HT01
KX 250 K4/K5/L1/L2	CF66	IT 250 D/E/F	CF03	DT 250/400	CF18
KX 250 L3/L4/M1/M2	CF184	IT 250 E/F/G/H	CF04	DT 250/400 MX	HT29D
KX 500 A2/B1	HT20D	TY 80/175	HT05	RD 250/350/400	
KX 500 B2/C1/D1/E1-E15	CF57	TY 250	HT01	(Air Cooled)	HT201R
MAICO		TY 250 S/R	HT29D	RD 250/350 LC	HT201R
250/490	CF06	WR 250 ZB/ZD/ZE/ZF/ZG/ZH/ZJ	CF04	TDR/TZR 250	HT215
SUZUKI		STREET BIKE APPLICATIONS		RD 350 YPVS	HT202R
RM 80 G/H/J	HT56D	HONDA			
RM 80 K/L/M/N/P/R/S/T/V/W/X/Y/K1	CF48	MB/MT/MTX 50	HT21		
RM 85 K2/K3/K4	CF48	MBX 50	HT34		
RM 125 H/J	CF18	MBX/MTX 80	HT34		
		H 100	HT21		
		MBX 125	HT36		
		MTX 125/200	HT36		
		NS 125 FG/FH/RK/RL	HT210		
		NSR 125 All models	HT118		

CARBON FIBRE REEDS

Last longer, work better – increase
rev range and performance

BAFFLE PAC

BAFFLE-PAC-Silencer Glass. PART NO. BP001

This material is labelled and conforms to BSAU 193T2. BEWARE of distributors selling cheaper roofing felt in its place. Repackable Tailpipes as the name implies, require regular cleaning and repacking with BSAU approved "SILENCER GLASS" such as Winning BAFFLE PAC. Failure to maintain tailpipes in such a way will lead to clogging of the silencer wool and raised noise output, together with reduced engine performance. Freeman Automotive (nor Dealers) are responsible for noise offences due to lack of maintenance as described above. "Recommended repacking period is every 3000 miles on two-strokes or when bike becomes noisy if sooner".

BRAKE FLUID

Bottle label shows all specifications of the fluid.



DOT 4

A refined specification polyglycol fluid as fitted to most faster street bikes now produced.



DOT 5

Silicone fluid as used in Harley Davidson Motorcycles and many special High Performance Brake systems.



BF307

Highly refined DOT 4 Brake fluid, ideal for Racing or High Performance Road bikes. Can be used in all systems specifying DOT 4 but **NOT** with (DOT 5) silicone fluids.

TO ORDER USE THESE PART NUMBERS

SIX PACK		SINGLE BOTTLES	
DOT 4 (Six Pack)	BF004	DOT 4 (Single)	BF004A
DOT 5 (Six Pack) (Silicone)	BF005	DOT 5 (Single) (Silicone)	BF005A
BF 307 (Six Pack)	BF307	BF 307 (Single)	BF307A

CAUTION: Please check carefully the type of brake fluid used in your system. Adding incorrect fluids could cause major brake failure. DO NOT ever mix glycol fluids (DOT 4 or BF-307) with DOT 5 silicone.

BRAKE CALIPER LUBE

These sachets of dedicated, high viscosity greases are perfect for all of your customers' brake service needs. Always use sparingly on caliper slider pins and rails, but do NOT get near the pad surface and do NOT use as anti-squeal as it will not help at all. Each sachet contains 5 grammes of grease.



TO ORDER USE THESE PART NUMBERS

Ten Sachets	LUBE010
Fifty Sachets	LUBE050

4 1/2" GALINDO SUPERBIKE GRIPS



Made in USA with KRATON G material. Without doubt the highest quality grip sold worldwide for street bikes. All below colours at 4 1/2" with separate spacer ring to accommodate 5" throttle units. Complete with heavy plastic bar end plugs and new high visual "Clamshell" packaging.

COLOUR	PART NO.
BLACK	GX001
RED	GX002
BLUE	GX003

BAJA FOAM GRIPS



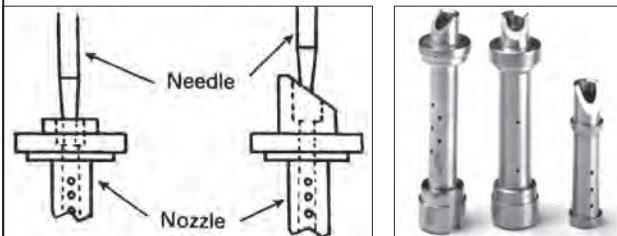
BAJA Foam grips made in USA with "reticulated" foam closed cell construction. Sounds fancy, but what it means is Baja foam grips do not "sponge" up water as will other cheap open cell foam rubber units. Complete with bar end caps and mounting glue.

COLOUR	PART NO.
BLACK	BG001
RED	BG002
BLUE	BG003

LEDAR NOZZLES

LEDAR POWER NOZZLES 2 STROKE DETAILS

- Simply change standard OE Nozzle for Immediate Power Boost
- More power through the range
- Better carburation, improved specific fuel consumption
- Less Unburnt Hydro Carbons means cleaner exhaust and less pollution.



NOZZLE No.	FITMENT
LN43	RD 125 LC Mk 1/Mk 1 2 (Not YPVS), DT 125 MX
LN44	DT 125 LC/RXS 100
LN45	RD 80 LC
LN46	MBX 125/MBX 50
LN59	AR 50/AE 50/AR 80
LN61	AR 125 LC
LN63	RD 125 LC Mk 3 (YPVS)
LN66	GP 100
LN66A	GP 100 Big Bore 125 Conversion
LN67	RG 125
LN68	NS 125 FH/FG/RK

RACING REEDS

hy-tech
racing reeds



See page 800 for applications

- STREET** – CW38 fibre still ideal for smaller high revving two strokes but new for track or road Hy-Tech **CARBON FIBRE** reeds, for these designs suffix regular part No with "CF" to order
- DIRT** – Two stage system with stiffer top reed and standard lower reed gives wider power band + longer reed life on upper reed block position
- OR** – **NEW** CF Carbon Fibre series now available.

Cover Image:

Rider – Rhys Irwin (Astro JJR Racing)

Photographer – Bonnie Lane Photographics



EBC[®]
BRAKES

EBC Brakes World Headquarters:

Upton Valley Way East, Pineham, Northampton NN4 9EF United Kingdom. Telephone +44 (0) 1604 583344

EBC Brakes:

 @ebcbrakesofficial  @ebcbrakesofficial

EBC Brakes Racing:

 @ebcracingofficial  @ebcbrakesracing

www.ebcbrakes.com

sales@ebcbrakesuk.com