

Ø 380.00mm X 36.00mm BRAKE DISC

STICK TO CARD THEN  
CUT AROUND OUTER  
PROFILE

CALIPER

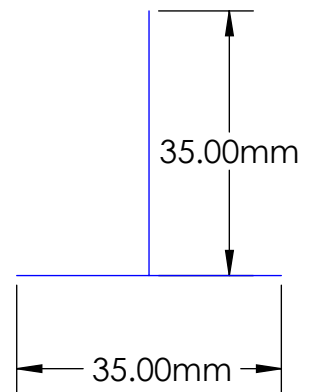
FLOATING HUB

LOCATE WHEEL  
SPIGOT IN WHEEL AND  
ROTATE, ENSURE THAT  
THERE IS A MINIMUM  
OF 3mm CLEARANCE  
ON ALL EDGES

Ø 66.50  
WHEEL SPIGOT

CHECK REF DIMS  
TO ENSURE THAT  
THE DRAWING HAS  
PRINTED TO  
CORRECT SCALE.  
PRINT AT 1:1 SCALE  
NOT SCALED TO FIT

REF DIMS



TPL058 AUDI B8 380 6 POT

EBC Technical:KITS@EBCBRAKES.COM